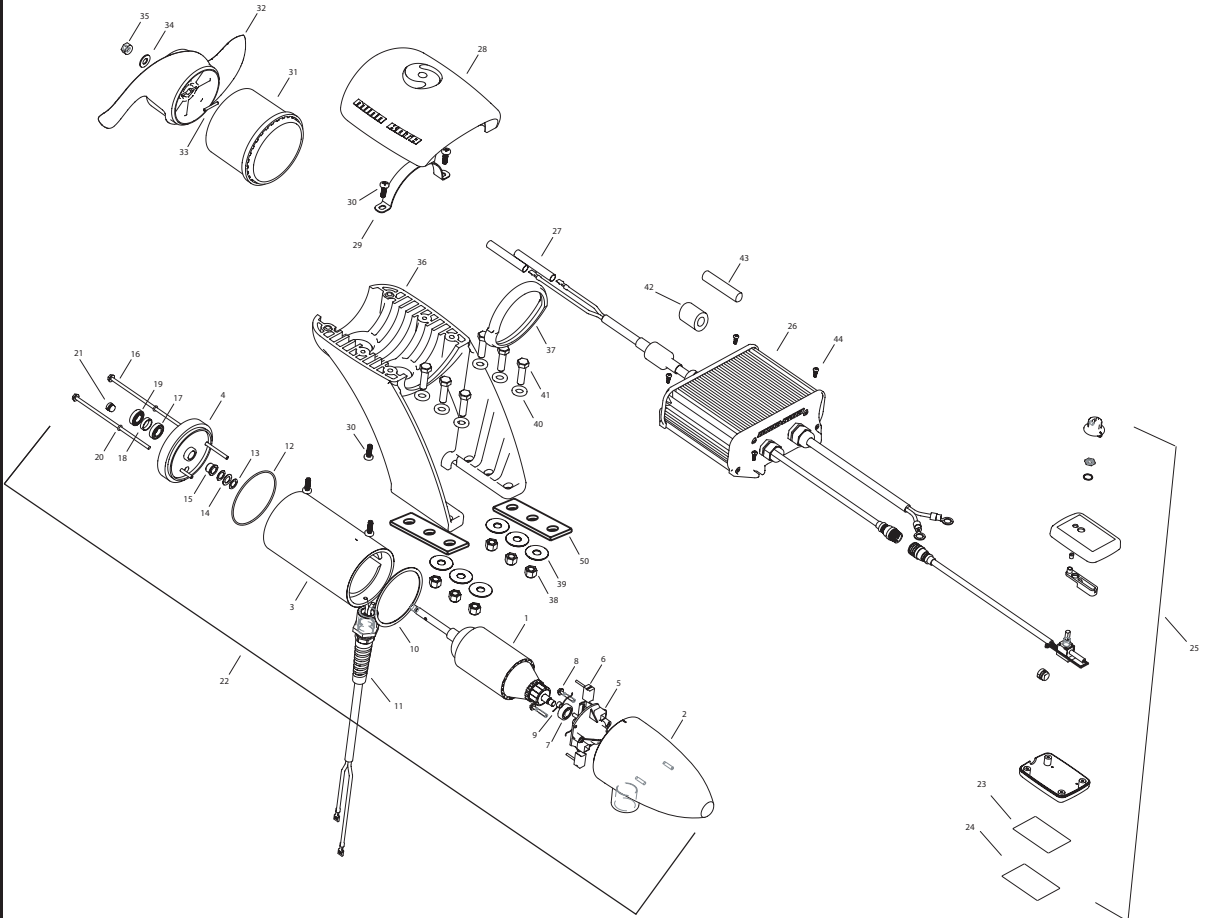


EM Riptide 55 12V

This page provides MinnKota® WEEE compliance disassembly instructions. For more information about where you should dispose of your waste equipment for recycling and recovery and/or your European Union member state requirements, please contact your dealer or distributor from which your product was purchased.

Tools required but not limited to: Flat Head screw driver, Phillips screw driver, Socket set, Pliers, wire Cutters.



In the U.S.A., replacement parts may be ordered directly from MINN KOTA Parts Dept., 121 Power Drive, P.O.Box 8129, Mankato, Minnesota 56002-8129. In Canada, parts may be ordered from any of the Canadian Authorized Service Centers shown on the enclosed list. Be sure to provide the MODEL and SERIAL numbers of your motor when ordering parts. Please use the correct part numbers from the parts list. Payment for any parts ordered from the MINN KOTA parts department, may be by cash, personal check, Discover Card, MasterCard or VISA. To order, call 1-800-227-6433 or FAX 1-800-527-4464.

Hors de États-Unis, voir la liste ci-jointe pour le Centre de Service Agréé MINN KOTA le plus proche. Lors d'une commande, ne pas oublier de fournir le numéro de modèle et le numéro de série du moteur. Toujours mentionner le numéro de pièce exact figurant sur la liste des pièces de rechange.

1	2-100-207	ARMATURE 12V 3.62
2	421-302	BRUSH END HOUSING
3	2-200-301	CENTER HOUSING ASSEMBLY
4	2-400-338	PLAIN END ASSY (CONTAINS 4, 15, 17, 18, 19,)
5	2-600-168	BRUSH PLATE ASSEMBLY (CONTAINS 5, 6, 9, 18)
6	188-036	BRUSH
7	140-010	BEARING
8	830-007	SCREW #8-32
9	975-040	BRUSH SPRING
10	337-036	GASKET
11	2772917	LEADWIRE ASSEMBLY
12	701-081	O-RING
13	990-067	WASHER STEEL
14	990-070	WASHER NYLATRON
15	144-049	FLANGE BEARING
16	830-042	THRU-BOLT 10-32 X 8.83
17	880-003	SEAL
18	725-035	PAPER TUBE
19	880-006	SEAL WITH SHIELD
20	701-008	O-RING THRUBOLT
21	836-001	ALUMINUM PLUG
22	2387103	MOTOR ASSY 12V 3.625 55#
23	9950953	VELCRO 1.5 X 2.0 LOOP
24	9950950	VELCRO 1.5 X 2.0 HOOK
25	2990241	HAND CONTROLLER
26	2990246	CONTROL MODULE
27	2385401	SHRINK TUBE [4 EA]
28	2380211	TOP CAP
29	2383810	STRAP, EM
30	2383418	SCREW 1/4-20 SELF TAPPING [6 EA]
31	2381535	ADAPTER RING, REAR
■	1378170	PROP KIT
32	2091170	PROPELLER
33	2092600	DRIVE PIN
34	2151726	WASHER 5/16, PROP
35	2198400	NUT, PROP ANODE
36	2381940	LOWER BRACKET
37	2381530	ADAPTER RING, FRONT
38	2383122	NUT 3/8-16 NYLOCK [6EA]
39	2381726	WASHER FENDER 3/8 X 1 1/4 OD [6 EA]
40	2381728	WASHER 3/8 [6 EA]
41	2383422	SCREW 3/8 X 1 1/4 [6EA]
42	2307310	FERRITE BEAD (EUROPEAN MOTORS ONLY)
43	2075401	HEATSHRINK (EUROPEAN MOTORS ONLY)
44	2373427	SCREW #12 X 5/8 [4 EA]
50	2385110	INSULATOR PAD, EM
■	2994856	BAG ASSY (CONTAINS 38-41,27,23,24,44, 50, & TIE WRAPS)

* This item is part of an assembly. This item cannot be sold separately due to machining and /or assembly that is required.