

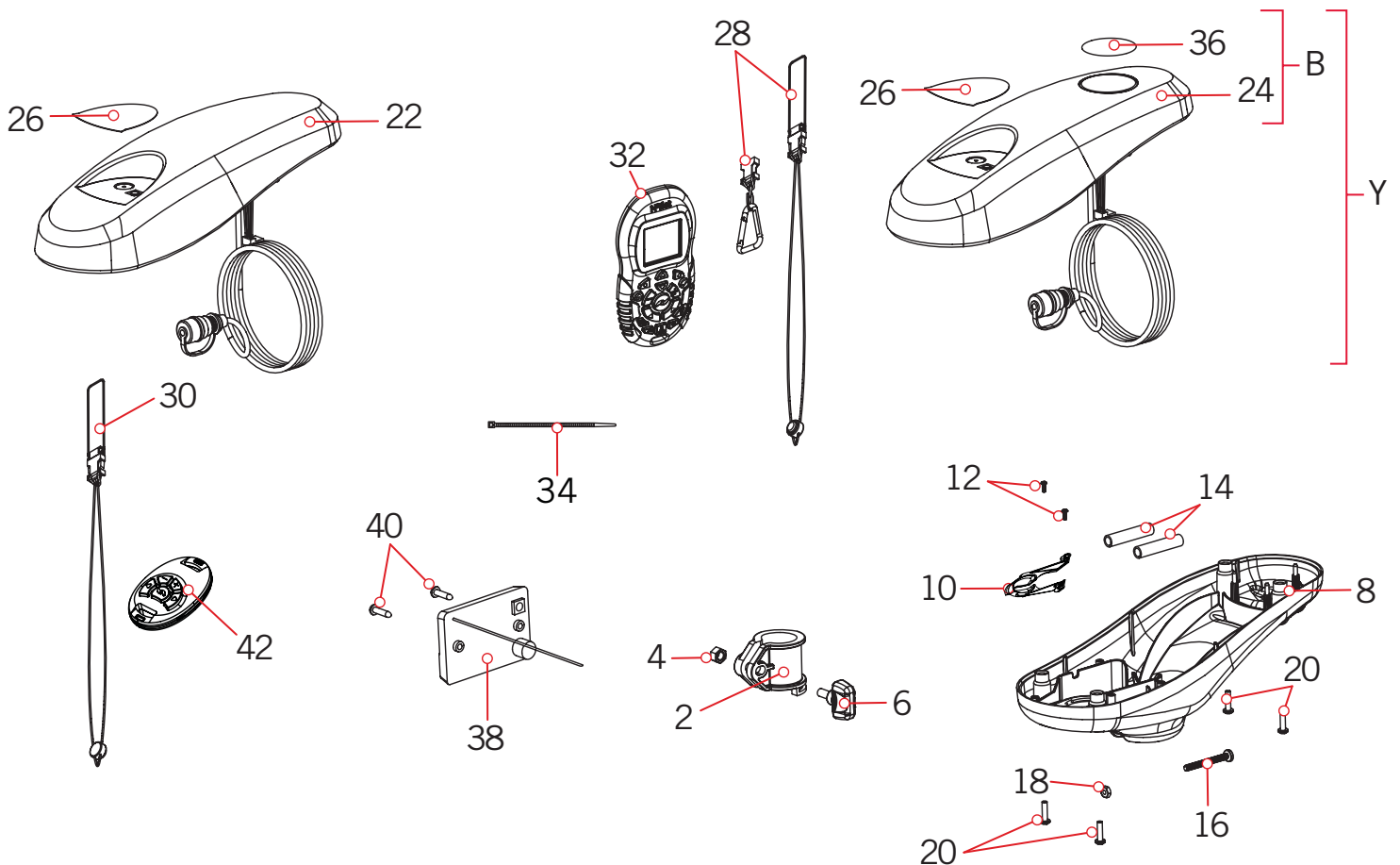
PARTS DIAGRAM & PARTS LIST

RIPTIDE POWERDRIVE - 55/70 LBS THRUST - 12/24 VOLT - 48"/54" SHAFT

The parts diagram and parts list provides Minn Kota® WEEE compliance disassembly instructions. For more information about where you should dispose of your waste equipment for recycling and recovery and/or your European Union member state requirements, please contact your dealer or distributor from which your product was purchased. Tools required, but not limited to: flat head screwdriver, Phillips screwdriver, socket set, pliers, wire cutters.

RIPTIDE POWERDRIVE CONTROL HEAD >

> Control Head Parts Diagram



PARTS DIAGRAM & PARTS LIST

Control Head Parts List

Assembly	Part #	Description	Notes	Quantity
B	2770219 ◆	COVER KIT, RIPTIDE POWERDRIVE	*I-PILOT COVER & DECALS ONLY*	1
Y	2774126 ◆	MOTOR KIT, iP 1.6 RT POWERDRIVE	*i-PILOT RECEIVER*	1
Item	Part #	Description	Notes	Quantity
2	2031522	COLLAR DRIVE (W/INSERT)		1
4	2323104	HEX NUT ¼ -20 SS		1
6	2011366	SCREW-COLLAR/NEW KNOB(SS)	*SALTWATER*	1
8	2292506	CONTROL BOX A/P RT-WHITE	*SALTWATER*	1
10	2224707	PLUG, SCREW-DOWN, WHT		1
12	2372103	SCREW-#6 X .375 PLASTITE SS		2
14	2305402	SHRINK TUBE - .374 OD X 2.25"	*SALTWATER*	2
16	2263406	SCREW-#10-24 X 2" S/S PPH		1
18	2333101	NUT-HEX #10-24 UNC-2B NYL SS	*SALTWATER*	1
20	2372100	SCREW-#8-18 X 5/8 THD* (SS)		5
22	2290218	COVER, CTRL BOX, RT PD PRINTED		1
24	2290213 ◆	COVER, CTRL BOX RT PD PRINTED	*iPILOT*	1
26	2315608	DECAL, COVER, RT PD 55	*55LB*	1
	2315607	DECAL, COVER, RT PD 50	*70LB*	1
	2315731	DECAL-GENERIC, PUSH BTN TOP SW		1
	2395551 ◆	DECAL, PUSH BTN RT PD, TRV/iP 55	*iPILOT*	1
	2315604 ◆	DECAL, PUSH BTN TOP, RT V3 70iP	*iPILOT*	1
28	2390800 ◆	LANYARD, REMOTE W/ CARABINER		1
30	2390801 ●	LANYARD, REMOTE	*COPILOT*	1
32	2994075 ◆	REMOTE ASSY, IPILOT 1.6		1
34	2256300	TIE WRAP - 5.5" BLACK	*70LB*	1
36	2395546 ◆	DECAL. DOMED iPILOT SW		1
38	2994123 ●	RECIEVER ASM CO-PILOT SW		1
40	2373418 ●	SCREW-#8 X 5/8 PPHSMS S/S	*COPILOT ONLY* *SALTWATER*	2
42	2994020 ●	TRASMTR, ASY, PD/AP COPLT	*COPILOT ONLY* *SALTWATER*	1
▲	2397100 ◆	MANUAL, iPILOT 1.6	*i-PILOT*	1
▲	2397106 ◆	GUIDE-QUICK REFERENCE iP 1.6	*iPILOT*	1
▲	2015800	HANG TAG "CAUTION... TILT HINGE"		1
▲	2317123	MANUAL, INSTALL GUIDE, RTPD BT		1
▲	2297165	MANUAL, DISCLAIMER, DOWNLOAD INFO		1
▲	2317121	MANUAL, RT POWERDRIVE BT		1

▲ Not shown on Parts Diagram.

✘ This part is included in an assembly and cannot be ordered individually.

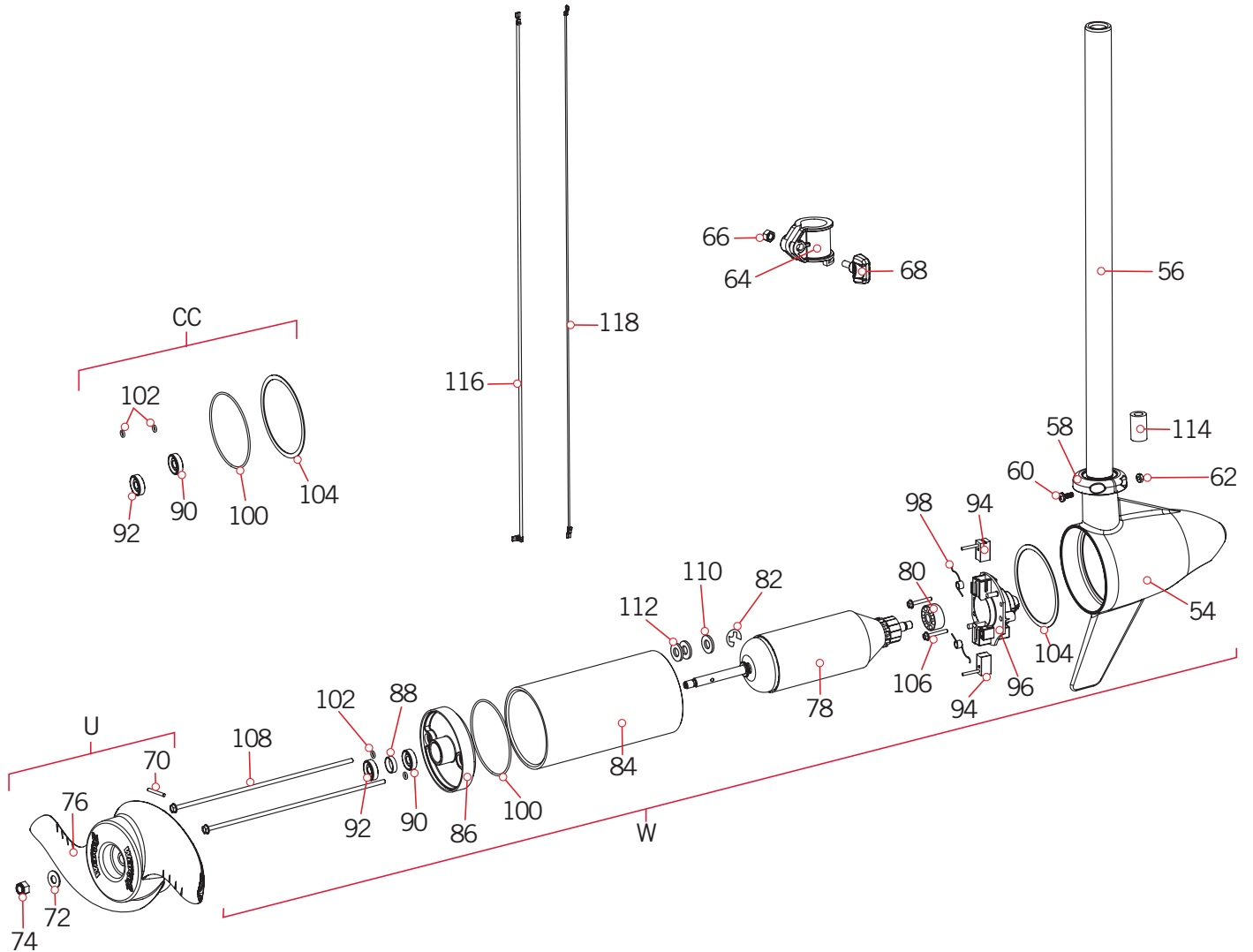
◆ Only available with models factory installed with i-Pilot or i-Pilot Link.

● Only available with models factory installed with CoPilot.

RIPTIDE POWERDRIVE MOTOR >

> 12 Volt Motor Parts Diagram

12 volt - 3.625"



PARTS DIAGRAM & PARTS LIST

▶ 12 Volt Motor Parts List

Assembly	Part #	Description	Notes	Quantity
W	2097095	MTR ASY 12V 3.62 VS 55#	*SALTWATER*	1
U	1378131	PROP IND 2091160 (WDLS WDGII)		1
CC	2888460	SEAL & O-RING KIT	*3.625*	1
Item	Part #	Description	Notes	Quantity
54	421-336	HSG BRUSH END 3.62 WHITE	*SALTWATER*	1
56	2002000	TUBE COMPOSITE 48" RT/SP-WHT	*SALTWATER* *55LB* *48"	1
	2002001	TUBE COMPOSITE 54" RT/SP-WHT	*55LB* *54"	1
58	2301555	COLLAR-LATCH, PD/AP		1
60	2303434	SCREW-#8-32 X 5/8 MACH PHCR SS		1
62	2303112	NUT-#8-32 NYLOCK SS		1
64	2031522	COLLAR DRIVE (W/INSERT)		1
66	2323104	HEX NUT 1/4 - 20 SS		1
68	2011366	SCREW-COLLAR/NEW KNOB(SS)	*SALTWATER*	1
70	2092600	PIN-DRIVE 1.06" LG (SS)		1
72	2151726	WASHER-5/16 STD (S/S)		1
74	2053101	NUT-PROP,NYLOC (MED) 5/16 SS		1
76	2091160	PROP-WW2 (3 5/8") REAMED		1
78	2-100-117A	ARM ASY 12V 3.62 55#2.88"		1
80	140-010	BALL BEARING		1
82	788-015	RETAINING RING		1
84	2-200-301A	CTR HSG ASY 3.6 MAGNETIZED		1
86	2-400-337A	PLAIN END HSG ASY 3.6 TX/W		1
88	144-049	BEARING - FLANGE (SERVICE ONLY)		1
90	880-003	SEAL		1
92	880-006	SEAL WITH SHIELD		1
94	188-036	BRUSH ASSEMBLY 3.625 55#		2
96	738-036	BRUSH PLATE WITH HOLDER 3.625		1
98	975-040	SPRING-TORSION		2
100	701-081	O-RING		1
102	701-007	O-RING		2
104	337-036	GASKET		1
106	830-007	SCREW, # 8-32		2
108	830-042	THRU BOLT 10-32 X 8.83	*55LB*	2
110	990-067	WASHER - STEEL THRUST		1
112	990-070	WASHER - NYLATRON		2

▲ Not shown on Parts Diagram.

✳ This part is included in an assembly and cannot be ordered individually.

◆ Only available with models factory installed with i-Pilot or i-Pilot Link.

● Only available with models factory installed with CoPilot.

PARTS DIAGRAM & PARTS LIST



Item	Part #	Description	Notes	Quantity
114	2307317	BEAD-FERRITE, SHORT		1
116	640-107	LEADWIRE RED 10AWG 65-1/2" GPT		1
118	640-008	LEADWIRE BLK 10AWG 63-1/2" GPT		1

- ▲ *Not shown on Parts Diagram.*
- ✘ *This part is included in an assembly and cannot be ordered individually.*
- ◆ *Only available with models factory installed with i-Pilot or i-Pilot Link.*
- *Only available with models factory installed with CoPilot.*

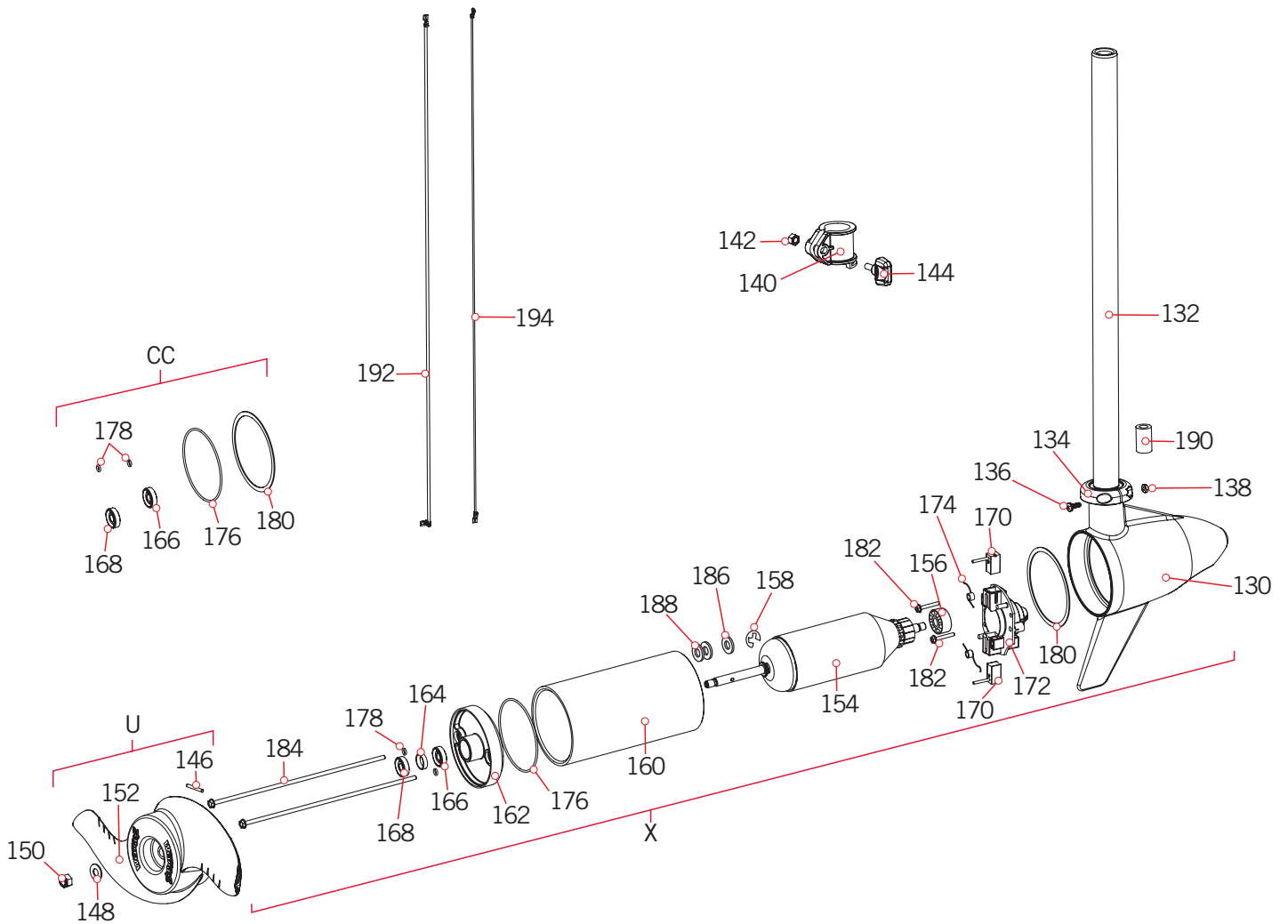


PARTS DIAGRAM & PARTS LIST

RIPTIDE POWERDRIVE MOTOR

24 Volt Motor Parts Diagram

24 volt - 3.625"



PARTS DIAGRAM & PARTS LIST

24 Volt Motor Parts List

Assembly	Part #	Description	Notes	Quantity
X	2096056	MTR ASY 24V 3.62 VS 70#SW	*SALTWATER*	1
U	1378131	PROP IND 2091160 (WDLS WDGII)		1
CC	2888460	SEAL & O-RING KIT	*3.625*	1
Item	Part #	Description	Notes	Quantity
130	421-336	HSG BRUSH END 3.62 WHITE	*SALTWATER*	1
132	2002001	TUBE COMPOSITE 54" RT/SP-WHT	*SALTWATER*	1
134	2301555	COLLAR-LATCH, PD/AP		1
136	2303434	SCREW-#8-32 X 5/8 MACH PHCR SS		1
138	2303112	NUT-#8-32 NYLOCK SS		1
140	2031522	COLLAR DRIVE (W/INSERT)		1
142	2323104	HEX NUT 1/4 - 20 SS		1
144	2011366	SCREW-COLLAR/NEW KNOB(SS)	*SALTWATER*	1
146	2092600	PIN-DRIVE 1.06" LG (SS)		1
148	2151726	WASHER-5/16 STD (S/S)		1
150	2053101	NUT-PROP,NYLOC (MED) 5/16 SS		1
152	2091160	PROP-WW2 (3 5/8") REAMED		1
154	2-100-128	ARM ASSY 24V 3.62 70#		1
156	140-010	BALL BEARING		1
158	788-015	RETAINING RING		1
160	2-200-307	CTR HSG ASM 3.6" SW MAGNETIZED		1
162	2-400-337A	PLAIN END HSG ASY 3.6 TX/W		1
164	144-049	BEARING - FLANGE	*SERVICE ONLY*	1
166	880-003	SEAL		1
168	880-006	SEAL WITH SHIELD		1
170	188-038	BRUSH ASSEMBLY 3.625 70# 6H3		2
172	9-738-038	BRUSH PLATE WITH HOLDER 3.625, #70 LOWER UNIT		1
174	975-042	SPRING-TORSION		2
176	701-081	O-RING		1
178	701-007	O-RING THRU BOLT		2
180	337-036	GASKET		1
182	830-007	SCREW, # 8-32		2
184	830-008	THRU BOLT 10-32 x 9.205 70LB		2
186	990-067	WASHER - STEEL THRUST		1
188	990-070	WASHER - NYLATRON		2
190	2307314	BEAD-FERRITE		1

▲ Not shown on Parts Diagram.

✘ This part is included in an assembly and cannot be ordered individually.

◆ Only available with models factory installed with i-Pilot or i-Pilot Link.

● Only available with models factory installed with CoPilot.

PARTS DIAGRAM & PARTS LIST



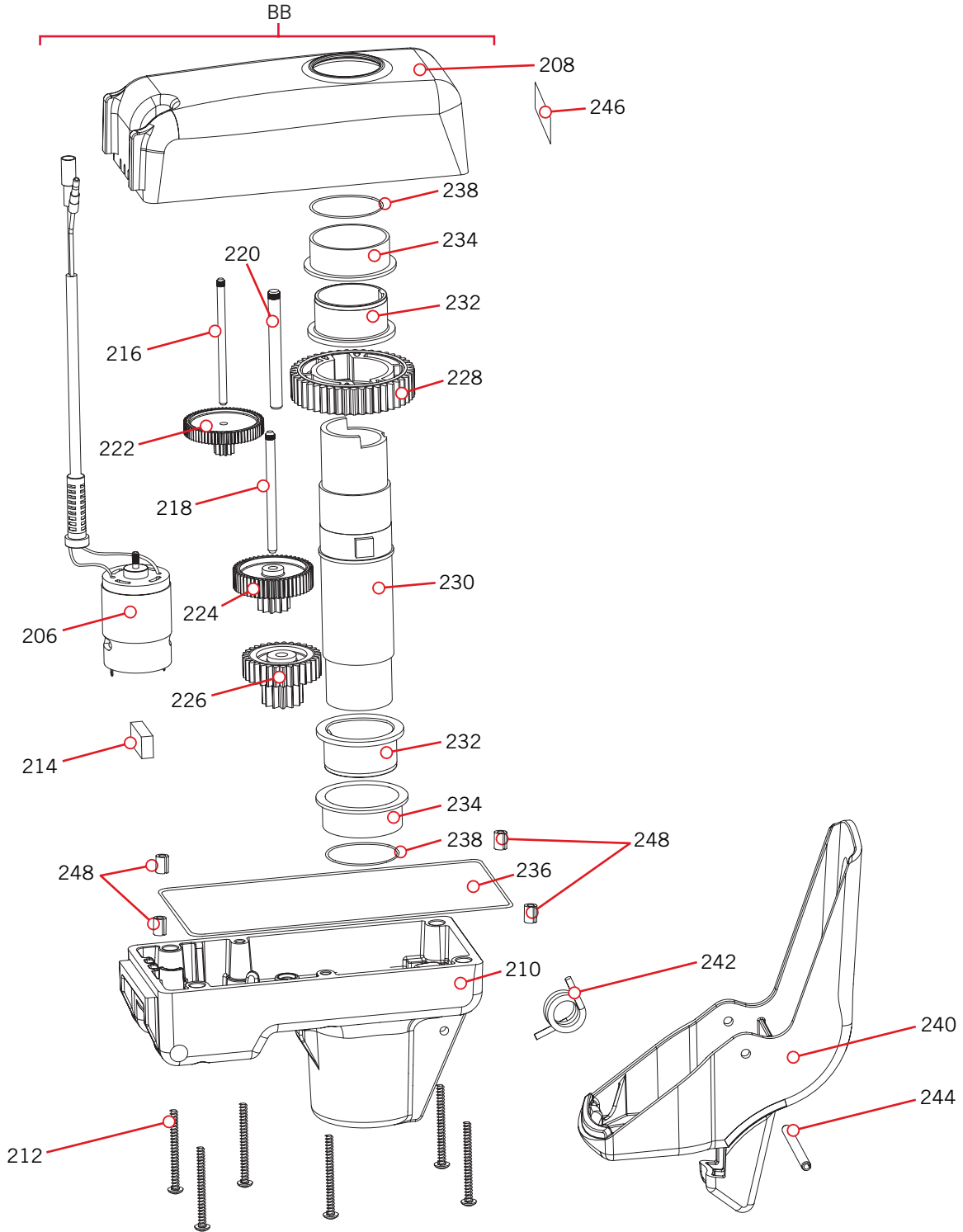
Item	Part #	Description	Notes	Quantity
192	640-106	LEADWIRE RED 10 AWG 64 GPT		1
194	640-008	LEADWIRE BLK 10AWG 63-1/2" GPT		1

- ▲ *Not shown on Parts Diagram.*
- ✘ *This part is included in an assembly and cannot be ordered individually.*
- ◆ *Only available with models factory installed with i-Pilot or i-Pilot Link.*
- *Only available with models factory installed with CoPilot.*



RIPTIDE POWERDRIVE STEERING HOUSING >

> Steering Housing Parts Diagram



PARTS DIAGRAM & PARTS LIST

› Steering Housing Parts List

Assembly	Part #	Description	Notes	Quantity
BB	2771827	DRIVE HOUSING ASSY, RT SP		1
Item	Part #	Description	Notes	Quantity
206	2307050	MOTOR DR.HSG PD/AP 12,24V		1
208	2302543	CASE-UPPER,ALUM, SW - WHITE		1
210	2302562	CASE-LOWER, ALUM, SW - WHITE		1
212	2303408	SCREW-#8-32 TYPE F TORX PH SS		6
214	2308601	BREATHER FILTER, DR.HOUSING		1
216	2302610	SHAFT-GEAR, FIRST CLUSTER		1
218	2302615	SHAFT-GEAR,INTERMED.CLUSTER		1
220	2302620	SHAFT-GEAR, THIRD CLUSTER		1
222	2302245	GEAR & PINION,DR. HSG, STAGE 2		1
224	2302250	GEAR & PINION,DR. HSG, STAGE 3		1
226	2302255	GEAR & PINION,DR. HSG, STAGE 4		1
228	2302260	GEAR-OUTPUT SHAFT,STG 5		1
230	2302010	SHAFT-OUTPUT, DR.HOUSING		1
232	2307304	BUSHING-INNER, UPPER/LOWER		2
234	2307305	BUSHING-OUTER, UPPER/LOWER		2
236	2304603	O-RING-SHAFT SEAL UPPER/LOW		2
238	2304604	O-RING-CASE SEAL		1
240	2307201	LEVER,GRIP GLIDE II		1
242	2302750	SPRING-LATCH,TORSION,PD/AP,S/S		1
244	2302628	PIN-ROLL,3/16 X 2.5" SS		1
246	2305641	DECAL - STOW/DEPLOY; POWERDRIVE		1
248	2302605	PIN-ROLL 5/16" X 1/2"		4

▲ Not shown on Parts Diagram.

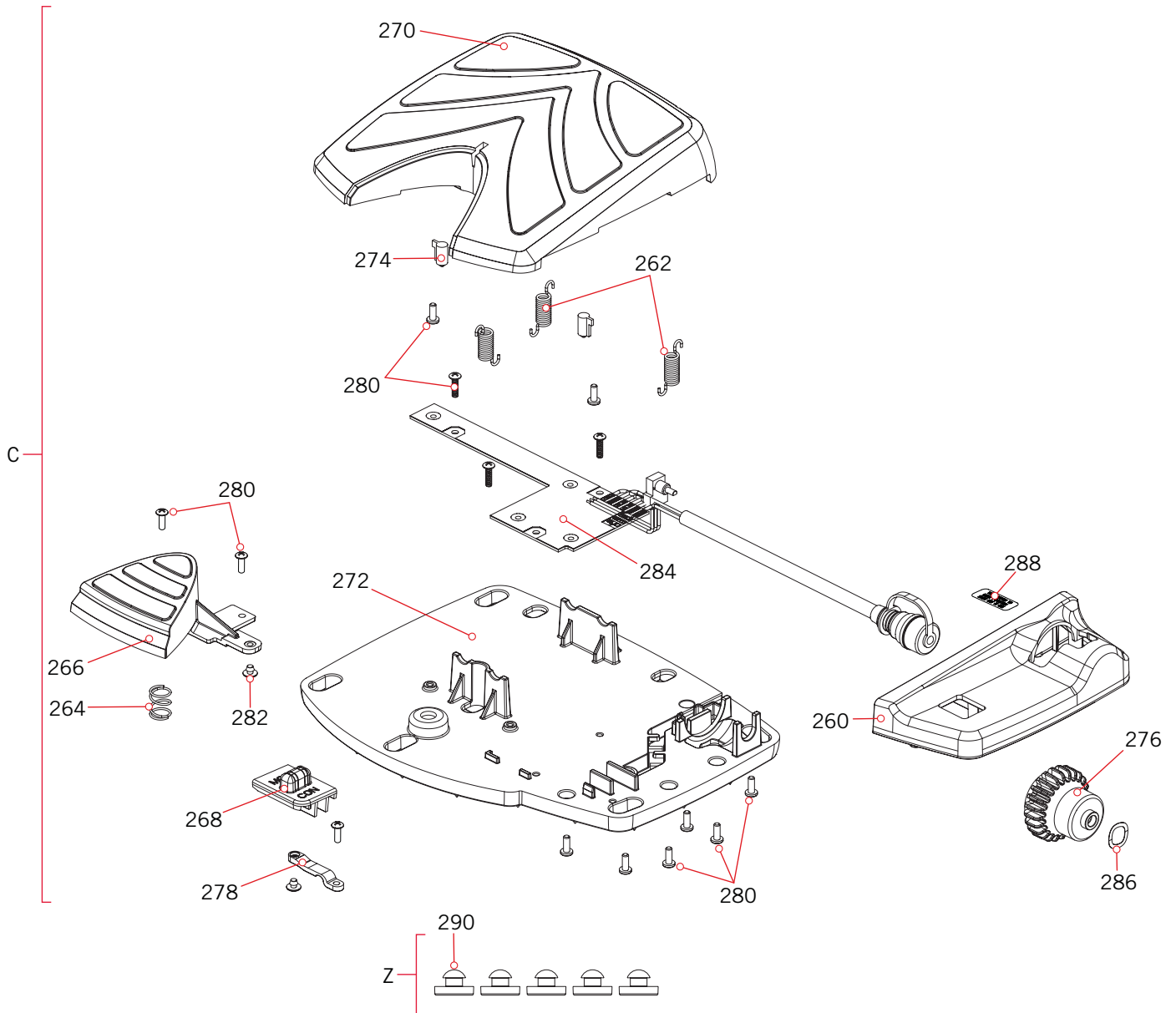
✘ This part is included in an assembly and cannot be ordered individually.

◆ Only available with models factory installed with i-Pilot or i-Pilot Link.

● Only available with models factory installed with CoPilot.

RIPTIDE POWERDRIVE FOOT PEDAL

Foot Pedal Parts Diagram



PARTS DIAGRAM & PARTS LIST

Foot Pedal Parts List

Assembly	Part #	Description	Notes	Quantity
C	2994728	FOOT PEDAL ASSEMBLY, PD		1
Z	2994859	BAG ASY-TERROVA/V2,RUB.BUMPERS		1
Item	Part #	Description	Notes	Quantity
260	2300275	COVER-SPEED SELECTOR,PD FP,BLK		1
262	2302730	SPRING-LONG-UPPER PEDAL		3
264	2302732	SPRING-LOWER PEDAL S/S		1
266	2303725	BUTTON-MOMENTARY, PD FP, BLK		1
268	2303730	BUTTON-MOM/CON, PD FP, BLK		1
270	2304406	PEDAL, STRG ROCKER, PD FP, BLK		1
272	2304508	BASE, PEDAL PD		1
274	2305136	BUMPER,STRG RCKR,PD FP,RUBBER		2
276	2307905	WHEEL-SPEED, PD FP, BLK		1
278	2308609	SWITCH LEVER, SINGLE		1
280	2302105	SCREW #6-19 X 3/8 HIGH-LOW SS		14
282	2335130	BUMBER ACTUATOR		2
284	2994053	PCB/CTRL CORD, PD FT PEDAL		1
286	2301750	WASHER, WAVE, PD V3 FP		1
288	2316600	DECAL-ON/OFF SWITCH/PD V2 PED		1
290	2325110	PAD, FOOT PEDAL PD		5

▲ Not shown on Parts Diagram.

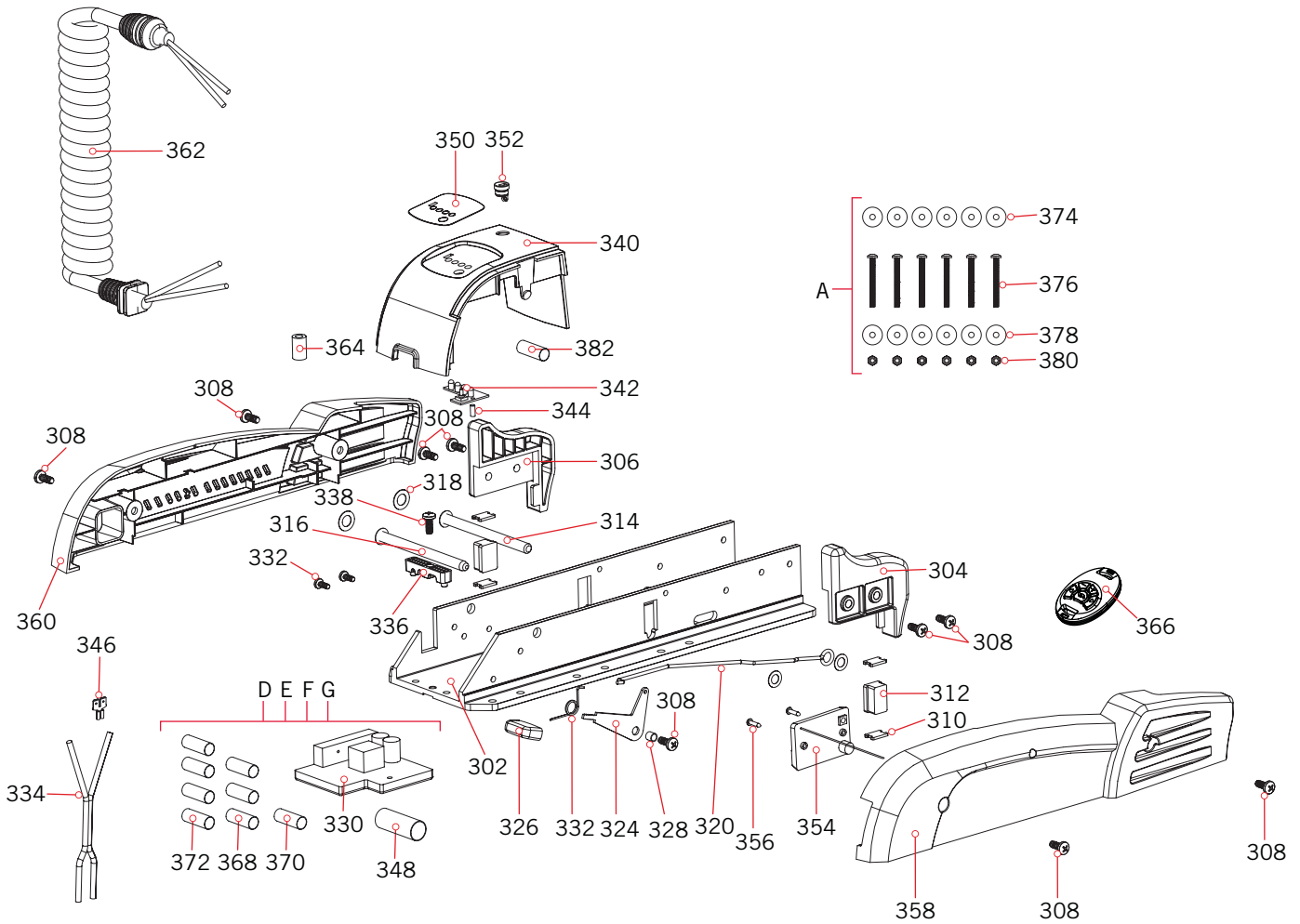
✘ This part is included in an assembly and cannot be ordered individually.

◆ Only available with models factory installed with i-Pilot or i-Pilot Link.

● Only available with models factory installed with CoPilot.

RIPTIDE POWERDRIVE MOUNT

Mount Parts Diagram



PARTS DIAGRAM & PARTS LIST

Mount Parts List

Assembly	Part #	Description	Notes	Quantity
A	2994864	BAG ASSEMBLY - (BOLT, NUT, WASHERS)		1
D	2884058	CONTROL BOARD-24V V2 W AP W/SHRNK	*AUTOPILOT*	1
E	2884055	CONTROL BRD-12V V2 W/O AP W/SHRNK		1
F	2884057	CONTROL BOARD-12V V2 W/AP W/SHRNK	*AUTOPILOT*	1
G	2884056	CONTROL BRD-24V V2 W/O AP W/SHRNK		1
Item	Part #	Description	Notes	Quantity
302	2301937	EXTRUSION BASE PD V2	*SALTWATER*	1
304	2303932	MOTOR REST-RIGHT, 3 5/8"		1
306	2303937	MOTOR REST-LEFT, 3 5/8"		1
308	2332104	SCREW-1/4-20 X 5/8 S/S	*SALTWATER*	9
310	2335110	PAD-PIVOT SUPPORT(SS)	*SALTWATER*	4
312	2305103	PIVOT PAD,559 FB DUROMETER 90A		2
314	2330510	PIN-LATCH (PD BASE)SS	*SALTWATER*	1
316	2330520	PIN-PIVOT (PD BASE)SS	*SALTWATER*	1
318	2333100	NUT-SPEED (SS)	*SALTWATER*	4
320	2303612	ROD-RELEASE (RT/AP) S/S		1
322	2322700	SPRING-TORSION		1
324	2333705	LEVER-RELEASE S/S	*SALTWATER*	1
326	2300101	RELEASE-KNOB		1
328	2301700	SPACER-RELEASE LEVER-BRASS		1
330	2304067	CONTROL BOARD-24V V2 W/AP	*AUTOPILOT*	1
	2304064	CONTROL BRD-12V V2 W/O AP		1
	2304066	CONTROL BOARD-12V V2 W/AP	*AUTOPILOT*	1
	2304065	CONTROL BRD-24V V2 W/O AP		1
332	2303434	SCREW-#8-32 X 5/8 MACH PHCR SS		3
334	2090651	LEADWIRE,10 GA, PD/GENESIS		1
336	2321310	STRAIN RELIEF		1
338	2323405	SCREW-1/4-20 X 1/2" MCH SS		1
340	2306571	HOUSING-CENTER RT-WHITE	*SALTWATER*	1
342	2074081	BATTERY METER, 24V	*SALTWATER* *70LB*	1
	2074080	BATTERY METER, 12V	*SALTWATER* *55LB*	1
344	2383428	SCREW-#4-24 X 5/8 HI-LO SS		1
346	2320710	TERMINAL-AMP (T-TAB)		1
348	2325401	SHRINK TUBE-3/4 ID X 2" W/ADHS		1
350	2305642	DECAL,BATTERY METER PD V2 SW	*SALTWATER*	1

▲ Not shown on Parts Diagram.

✳ This part is included in an assembly and cannot be ordered individually.

◆ Only available with models factory installed with i-Pilot or i-Pilot Link.

● Only available with models factory installed with CoPilot.

PARTS DIAGRAM & PARTS LIST



Item	Part #	Description	Notes	Quantity
352	2302935	STRAIN RELIEF-DR. HOUSING		1
354	2994112 ●	TRANS/REC ASY PD V2 SW	*COPILOT ONLY* *SALTWATER*	1
356	2373418 ●	SCREW-#8 X 5/8 PPHSMS S/S	*COPILOT ONLY* *SALTWATER*	2
358	2303982	SIDEPLATE-RIGHT RT-WHITE	*SALTWATER*	1
360	2303987	SIDEPLATE-LEFT RT-WHITE	*SALTWATER*	1
362	2991280	COIL CRD W/STRN RLF, PD 48"/54"		1
364	2307313	BEAD-FERRITE		1
366	2994020 ●	TRASMTR, ASY, PD/AP COPLT	*COPILOT ONLY* *SALTWATER*	1
368	2305410	SHRINK TUBE-.315 OD X 2.25"	*SALTWATER*	3
370	2305415	SHRINK TUBE-.472 ID X 2.25"	*SALTWATER*	1
372	2305403	SHRINK TUBE-.500 IDX1.0" ADHSV	*SALTWATER*	4
374	2263462	SCREW-1/4-20 X 2" S/S PPH ADJT		6
376	2261713	WASHER-1/4 FLAT 18-8 SS		6
378	2263103	NUT-1/4-20 NYLOCK SS		6
380	2301720	WASHER-MOUNTING - RUBBER		6
382	2375400	SHRINK		1

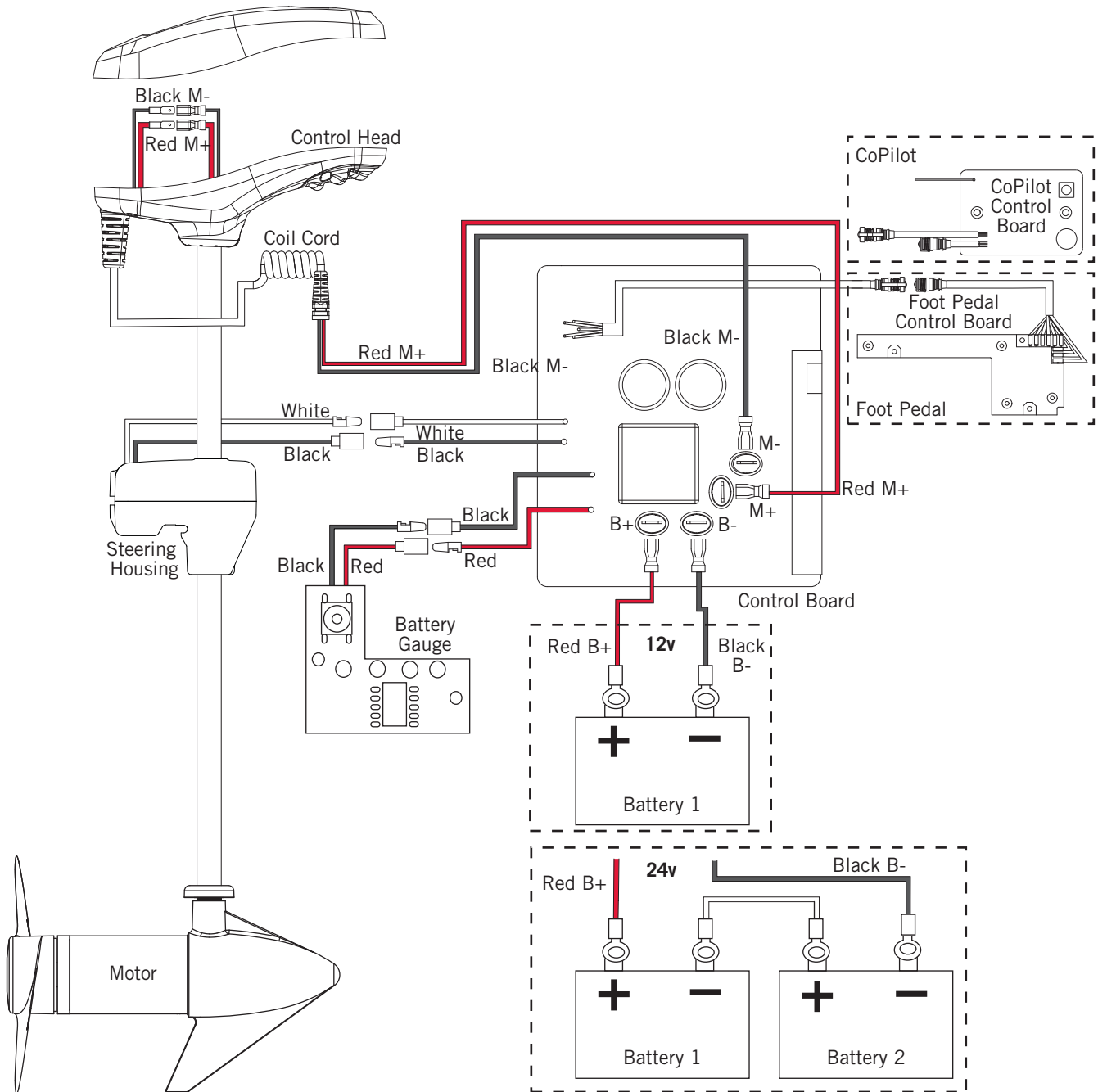
- ▲ Not shown on Parts Diagram.
- ✘ This part is included in an assembly and cannot be ordered individually.
- ◆ Only available with models factory installed with i-Pilot or i-Pilot Link.
- Only available with models factory installed with CoPilot.



MOTOR WIRING DIAGRAM

RIPTIDE POWERDRIVE

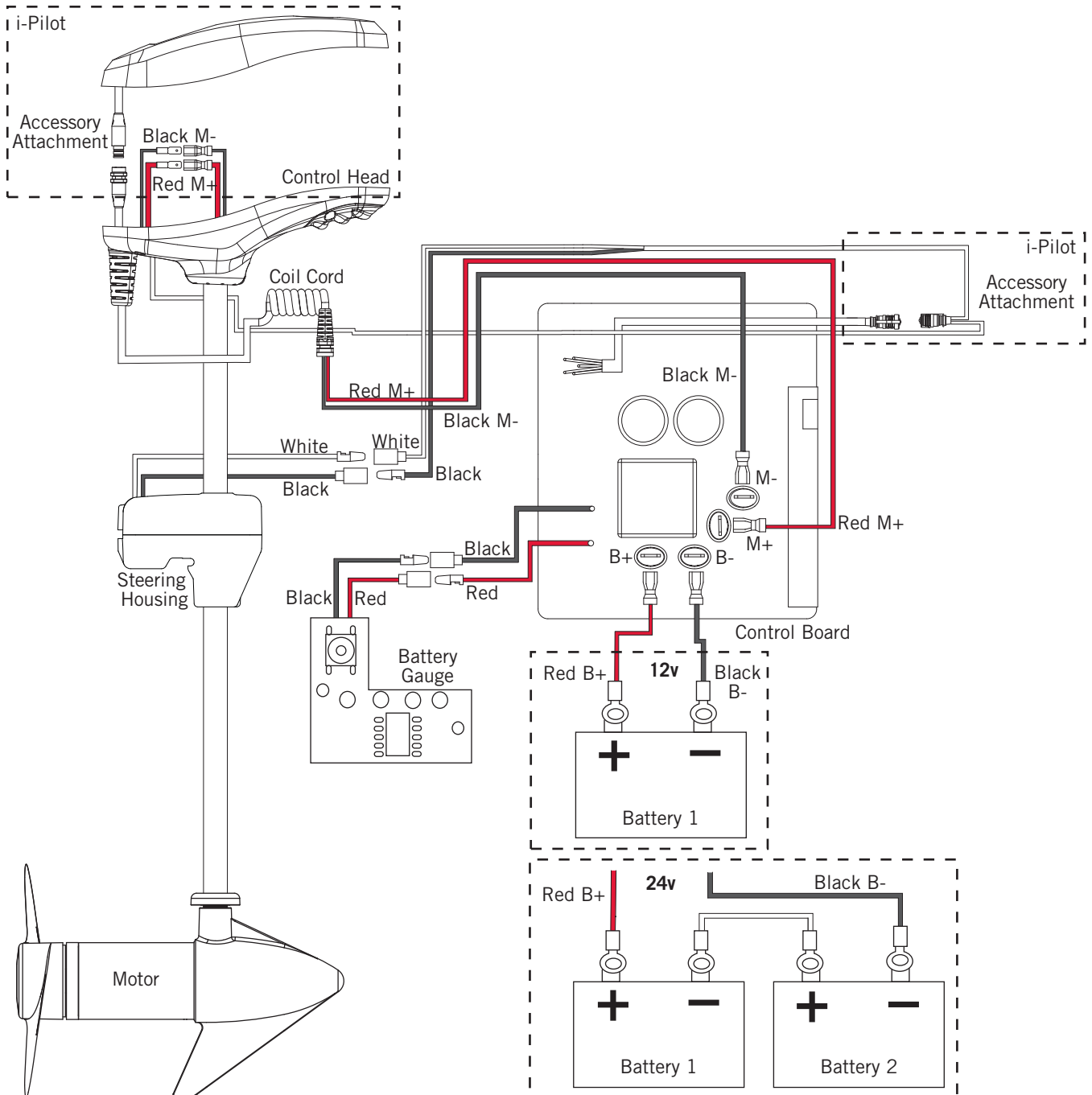
The following Motor Wiring Diagram applies to all Riptide PowerDrive models that do not come factory installed with i-Pilot. CoPilot may come factory installed, but can also be installed as an after market accessory.



NOTICE: This is a multi-voltage diagram. Double-check your motor's voltage for proper connections. Over-Current Protection Devices are not shown in this illustration.

RIPTIDE POWERDRIVE WITH i-PILOT

The following Motor Wiring Diagram applies to all PowerDrive models that come factory installed with i-Pilot.



NOTICE: This is a multi-voltage diagram. Double-check your motor's voltage for proper connections. Over-Current Protection Devices are not shown in this illustration.