

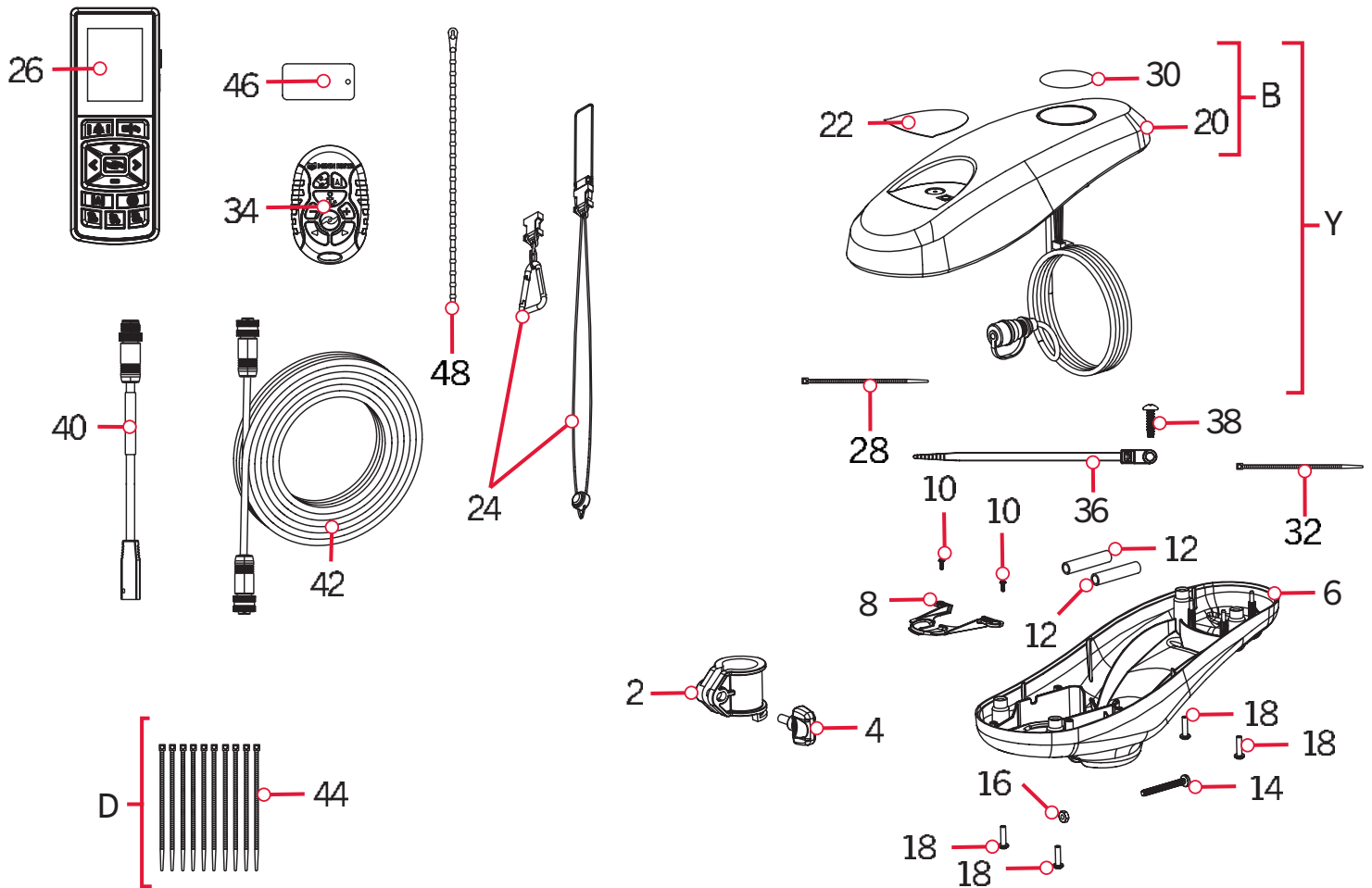
PARTS DIAGRAM & PARTS LIST

RIPTIDE POWERDRIVE - 55/70 LBS THRUST - 12/24 VOLT - 48"/54" SHAFT

The parts diagram and parts list provides Minn Kota® WEEE compliance disassembly instructions. For more information about where you should dispose of your waste equipment for recycling and recovery and/or your European Union member state requirements, please contact your dealer or distributor from which your product was purchased. Tools required, but not limited to: flat head screwdriver, Phillips screwdriver, socket set, pliers, wire cutters.

RIPTIDE POWERDRIVE CONTROL HEAD >

> Control Head Parts Diagram



PARTS DIAGRAM & PARTS LIST

Control Head Parts List

Assembly	Part #	Description	Notes	Quantity
B	2770243	CVR KIT, ADV GPS NAV, RT TRV	*GPS COVER & DECALS ONLY*	1
Y	2774109	CONTROLLER, ADV GPS NAV, RT PD	*GPS RECEIVER*	1
D	2996300	TIE WRAP ASM, 60"		1
Item	Part #	Description	Notes	Quantity
2	2031522	COLLAR DRIVE (W/INSERT)		1
4	2011366	SCREW-COLLAR/NEW KNOB(SS)	*SALTWATER*	1
6	2292506	CONTROL BOX A/P RT-WHITE	*SALTWATER*	1
8	2224707	PLUG, SCREW-DOWN, WHT		1
10	2372103	SCREW-#6 X .375 PLASTITE SS		2
12	2305402	SHRINK TUBE-.374 OD X 2.25"	*SALTWATER*	2
14	2263406	SCREW-#10-24 X 2" S/S PPH		1
16	2333101	NUT-HEX #10-24 UNC-2B NYL SS	*SALTWATER*	1
18	2372100	SCREW-#8-18 X 5/8 THD* (SS)		4
20	2290213	COVER, CTRL BOX RT PD PRINTED	*GPS*	1
22	2395593	DECAL, PUSH BTN TOP, SW, GENERIC		1
	2395578	DECAL, PUSH BUTTON TOP, 55 lb, PD, SW	*GPS*	1
	2395579	DECAL, PUSH BUTTON TOP, 70 lb, PD, SW	*GPS*	1
24	2390802	LANYARD W/CARABINR,IP RMT	*GPS*	1
26	411690-1	IPILOT 4.0 REMOTE	*GPS*	1
28	2256300	TIE WRAP - 5.5" BLACK	*70LB*	1
30	2395529	DECAL, DOMED iP LNK 4.0 SW	*GPS*	1
▲	2397110	MANUAL, IPILOT 4.0	*GPS*	1
▲	2397115	GUIDE-QCK REFERENCE IP 4.0	*GPS*	1
▲	2015800	HANG TAG "CAUTION... TILT HINGE"		1
▲	2317127	INSTRC-INSTALL, RT PD SW		1
▲	2297165	MANUAL, DISCLAIMER, DOWNLOAD INFO		1
▲	2317125	MANUAL, RT POWERDRIVE SW		1
32	2206301	TIE WRAP, LOW PROFILE		1
34	2997175	REMOTE ASM, MICRO REMOTE		1
36	2206302	TIE WRAP, SCREW MOUNT 6.3"		1
38	2203441	SCREW-#6 X 1/2" THRD FORM,SSTL		1
40	490380-1	CABLE, ETHERNET PIGTAIL-700 HD	*GPS*	1
42	490384-4	CABLE ETHERNET (M12-M12), 30'	*GPS*	1
▲	2394912	QCK REF.GUIDE, iP MICRO RMT BT	*GPS* *MICRO*	1

▲ Not shown on Parts Diagram.

* This part is included in an assembly and cannot be ordered individually.

PARTS DIAGRAM & PARTS LIST



Item	Part #	Description	Notes	Quantity
▲	2394910	INSTRC. SHEET, MICRO REMO	*GPS* *MICRO*	1
44	2206300	TIE WRAP, LOW PROFILE 4"		1
▲	2294950	OBN & REMOTE PAIR INSTRUCT		1
46	2295810	TAG, ID		1
▲	2207131	STANDARD QS SETUP GUIDE		1
48	2206304	TIE WRAP, REUSABLE		1

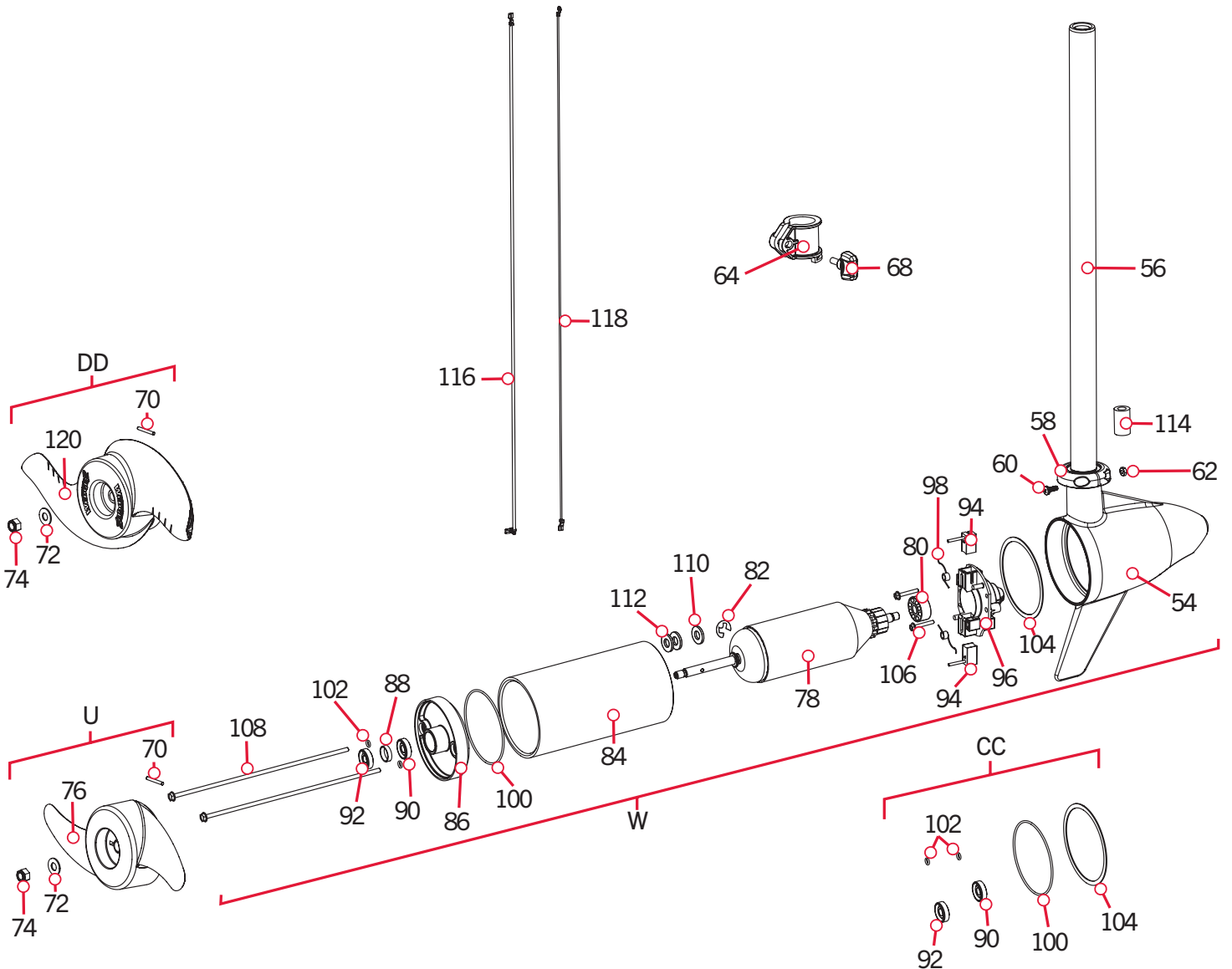
▲ Not shown on Parts Diagram.

✘ This part is included in an assembly and cannot be ordered individually.

PARTS DIAGRAM & PARTS LIST

RIPTIDE POWERDRIVE MOTOR >

> 12 Volt 3.625" 55lb Thrust Motor Parts Diagram



PARTS DIAGRAM & PARTS LIST

▶ 12 Volt 3.625" 55lb Motor Parts List

Assembly	Part #	Description	Notes	Quantity
W	2097091	MTR ASY 12V 3.62 VS 55#	*SALTWATER*	1
U	1378131	PROP IND 2091160 (WDLS WDGII)		1
CC	2888460	SEAL & O-RING KIT	*3.625*	1
DD	1378126	PROP IND 2061125 WDLS WDG	*NOT INCLUDED FROM THE FACTORY*	1
Item	Part #	Description	Notes	Quantity
54	421-336	HSG BRUSH END 3.62 WHITE	*SALTWATER*	1
56	2002001	TUBE COMPOSITE 54" RT/SP-WHT	*55LB* *54"	1
58	2301555	COLLAR-LATCH, PD/AP		1
60	2303434	SCREW-#8-32 X 5/8 MACH PHCR SS		1
62	2303112	NUT-#8-32 NYLOCK SS		1
64	2031522	COLLAR DRIVE (W/INSERT)		1
68	2011366	SCREW-COLLAR/NEW KNOB(SS)	*SALTWATER*	1
70	2092600	PIN-DRIVE 1.06" LG (SS)		1
72	2151726	WASHER-5/16 STD (S/S)		1
74	2053101	NUT-PROP,NYLOC (MED) 5/16 SS		1
76	2091170	PROP-PWR (3 5/8") REAMED		1
78	92-100-117	ARM ASY 12V 3.62 55#2.88"		1
80	140-010	BALL BEARING		1
82	788-015	RETAINING RING		1
84	92-200-302	CTR HSG ASY 3.6 MAGNETIZED		1
86	92-400-337	PLAIN END HSG ASY 3.6 TX/W		1
88	144-049	BEARING - FLANGE (SERVICE ONLY)		1
90	880-003	SEAL		1
92	880-006	SEAL WITH SHIELD		1
94	188-036	BRUSH ASSEMBLY 3.625 55#		2
96	738-036	BRUSH PLATE WITH HOLDER 3.625		1
98	975-040	SPRING-TORSION		2
100	701-081	O-RING		1
102	701-008	O-RING	*THRU BOLT*	2
104	337-036	GASKET		1
106	830-007	SCREW, # 8-32		2
108	830-142	THRU BOLT 10-32 X 8.83	*55LB*	2
110	990-067	WASHER - STEEL THRUST		1
112	990-070	WASHER - NYLATRON		2

▲ Not shown on Parts Diagram.

✳ This part is included in an assembly and cannot be ordered individually.

PARTS DIAGRAM & PARTS LIST



Item	Part #	Description	Notes	Quantity
114	2307317	BEAD-FERRITE, SHORT		1
116	640-107	LEADWIRE RED 10AWG 65-1/2" GPT		1
118	640-008	LEADWIRE BLK 10AWG 63-1/2" GPT		1
120	2061125	PROP (65 WEEDLESS WEDGE)	*NOT INCLUDED FROM THE FACTORY*	1

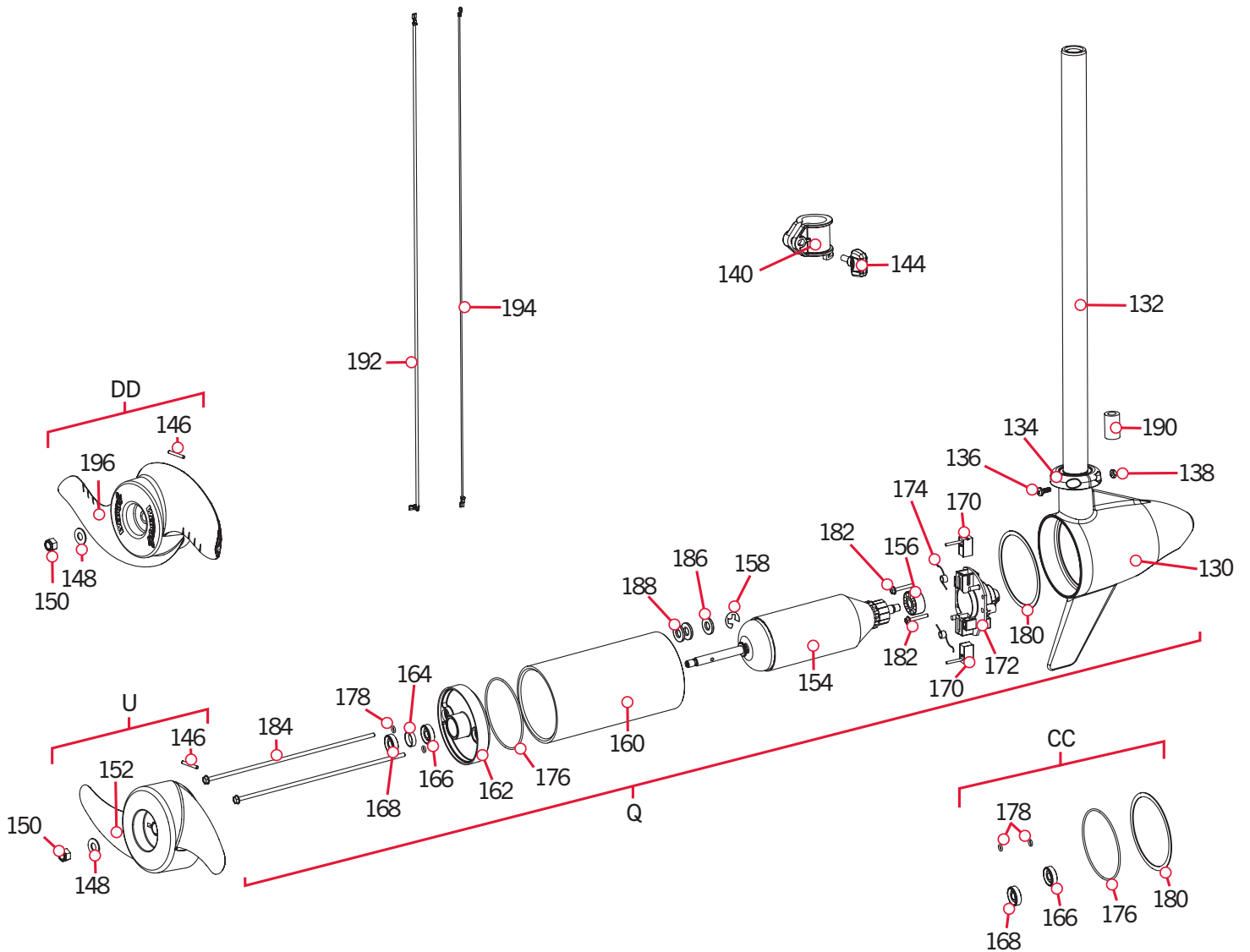
▲ Not shown on Parts Diagram.

✘ This part is included in an assembly and cannot be ordered individually.



PARTS DIAGRAM & PARTS LIST

▶ 24 Volt 3.625" 70lb Motor Parts Diagram



PARTS DIAGRAM & PARTS LIST

▶ 24 Volt 3.625" 70lb Motor Parts List

Assembly	Part #	Description	Notes	Quantity
Q	2096069	MTR ASY 24V 3.62 VS 70#SW	*SALTWATER*	1
U	1378131	PROP IND 2091160 (WDLS WDGII)		1
CC	2888460	SEAL & O-RING KIT	*3.625*	1
DD	1378126	PROP IND 2061125 WDLS WDG	*NOT INCLUDED FROM THE FACTORY*	1
Item	Part #	Description	Notes	Quantity
130	421-336	HSG BRUSH END 3.62 WHITE	*SALTWATER*	1
132	2002001	TUBE COMPOSITE 54" RT/SP-WHT	*SALTWATER*	1
134	2301555	COLLAR-LATCH, PD/AP		1
136	2303434	SCREW-#8-32 X 5/8 MACH PHCR SS		1
138	2303112	NUT-#8-32 NYLOCK SS		1
140	2031522	COLLAR DRIVE (W/INSERT)		1
144	2011366	SCREW-COLLAR/NEW KNOB(SS)	*SALTWATER*	1
146	2092600	PIN-DRIVE 1.06" LG (SS)		1
148	2151726	WASHER-5/16 STD (S/S)		1
150	2053101	NUT-PROP,NYLOC (MED) 5/16 SS		1
152	2091170	PROP-PWR (3 5/8") REAMED		1
154	92-100-128	ARM ASSY 24V 3.62 70#		1
156	140-010	BALL BEARING		1
158	788-015	RETAINING RING		1
160	92-200-307	CTR HSG ASM 3.6" SW MAGNETIZED		1
162	92-400-337	PLAIN END HSG ASY 3.6 TX/W		1
164	144-049	BEARING - FLANGE	*SERVICE ONLY*	1
166	880-003	SEAL		1
168	880-006	SEAL WITH SHIELD		1
170	188-038	BRUSH ASSEMBLY 3.625 70# 6H3		2
172	9-738-038	BRUSH PLATE WITH HOLDER 3.625, #70 LOWER UNIT		1
174	975-042	SPRING-TORSION		2
176	701-081	O-RING		1
178	701-008	O-RING THRU BOLT	*THRU BOLT*	2
180	337-036	GASKET		1
182	830-007	SCREW, # 8-32		2
184	830-108	THRU BOLT 10-32 x 9.205 70LB		2
186	990-067	WASHER - STEEL THRUST		1
188	990-070	WASHER - NYLATRON		2
190	2307314	BEAD-FERRITE		1

▲ Not shown on Parts Diagram.

✱ This part is included in an assembly and cannot be ordered individually.

PARTS DIAGRAM & PARTS LIST



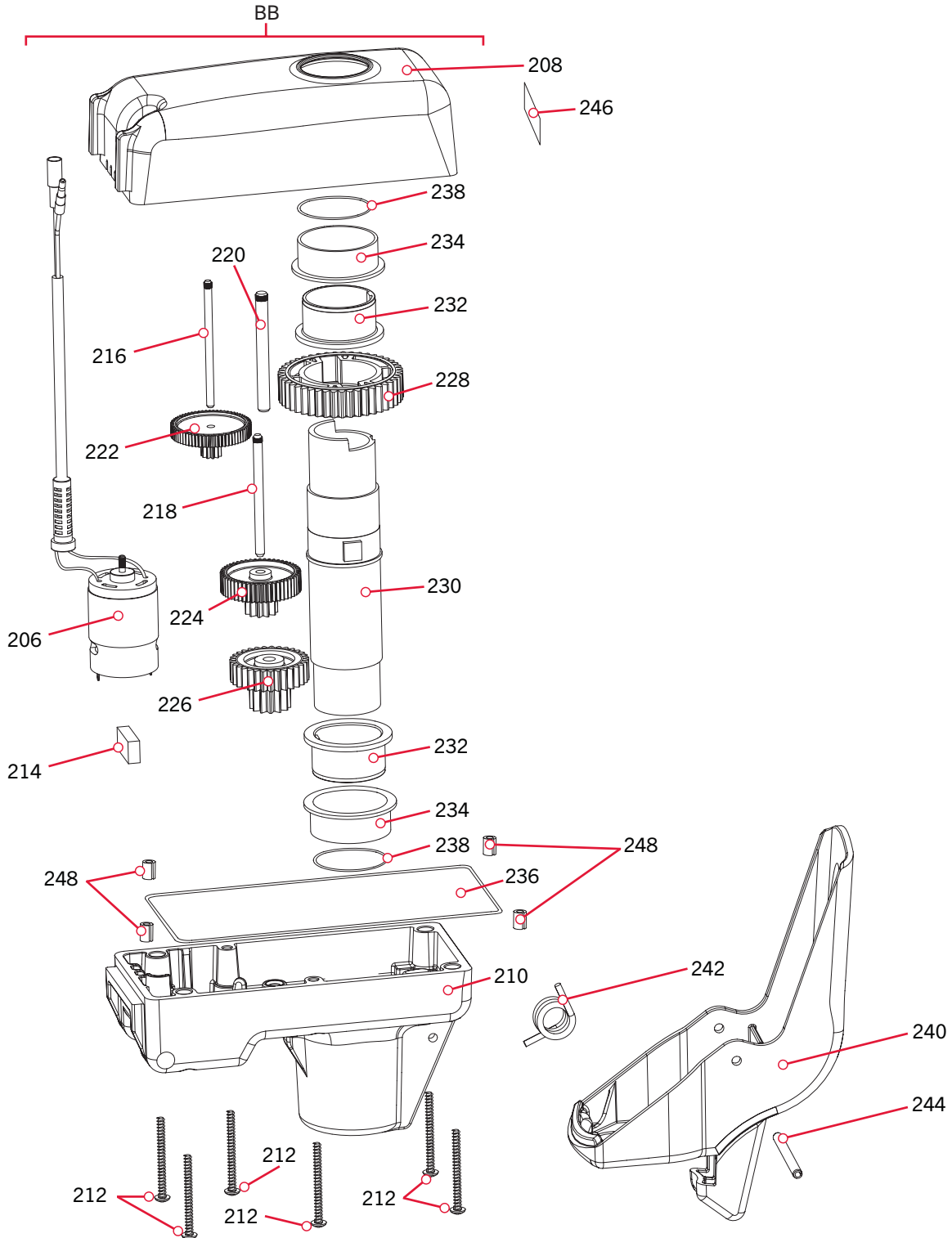
Item	Part #	Description	Notes	Quantity
192	640-106	LEADWIRE RED 10 AWG 64 GPT		1
194	640-008	LEADWIRE BLK 10AWG 63-1/2" GPT		1
196	2061125	PROP (65 WEEDLESS WEDGE)	*NOT INCLUDED FROM THE FACTORY*	1

▲ Not shown on Parts Diagram.

✘ This part is included in an assembly and cannot be ordered individually.

RIPTIDE POWERDRIVE STEERING HOUSING >

> Steering Housing Parts Diagram



PARTS DIAGRAM & PARTS LIST

› Steering Housing Parts List

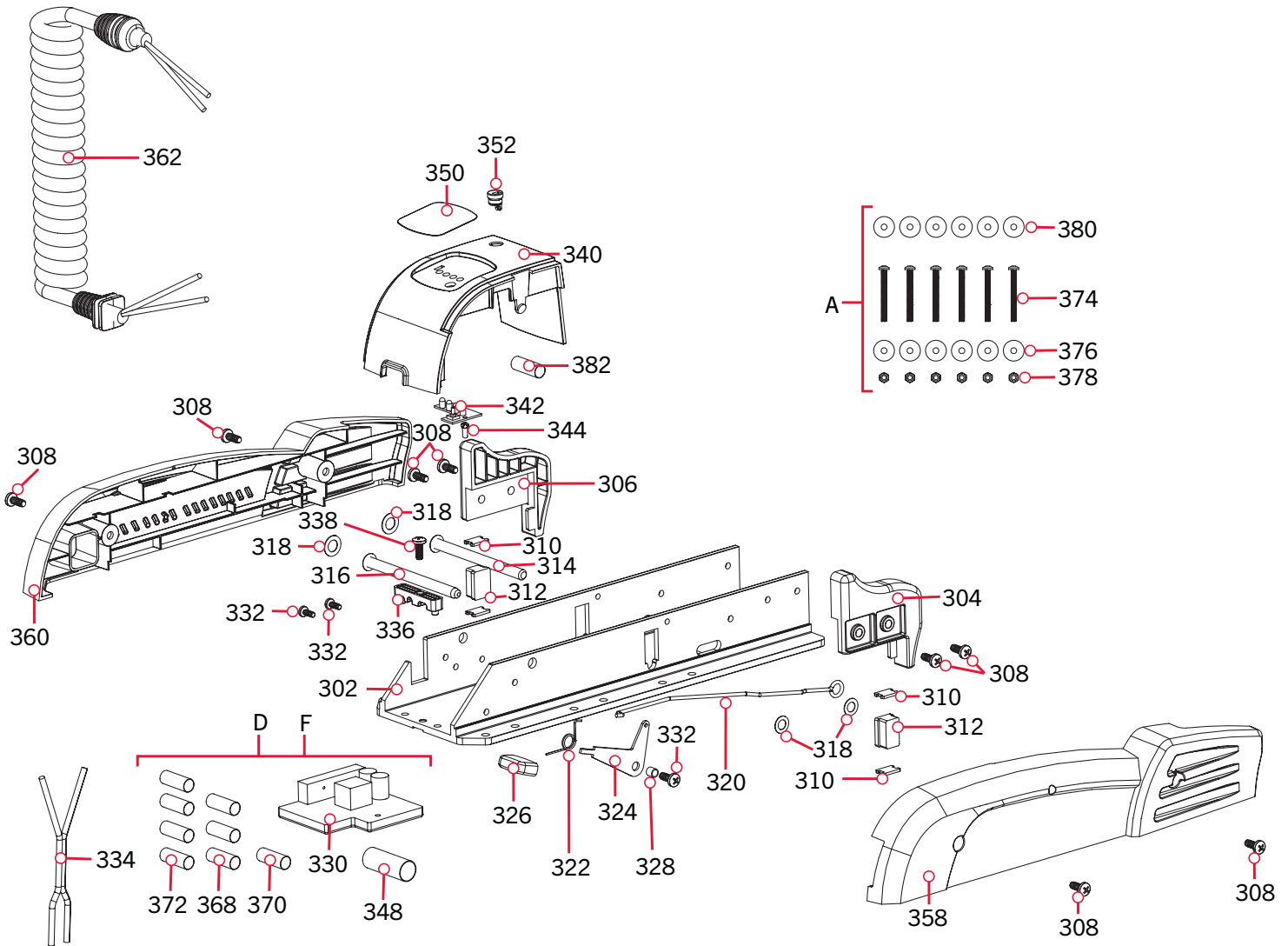
Assembly	Part #	Description	Notes	Quantity
BB	2771827	DRIVE HOUSING ASSY, RT SP		1
Item	Part #	Description	Notes	Quantity
206	2777050	MOTOR DR.HSG PD/AP 12,24V		1
208	2302543	CASE-UPPER,ALUM, SW - WHITE		1
210	2302562	CASE-LOWER, ALUM, SW - WHITE		1
212	2303408	SCREW -#8-32 TYPE F TORX PH SS		6
214	2308601	BREATHER FILTER, DR.HOUSING		1
216	2302610	SHAFT-GEAR, FIRST CLUSTER		1
218	2302615	SHAFT-GEAR,INTERMED.CLUSTER		1
220	2302620	SHAFT-GEAR, THIRD CLUSTER		1
222	2302245	GEAR & PINION,DR. HSG, STAGE 2		1
224	2302250	GEAR & PINION,DR. HSG, STAGE 3		1
226	2302255	GEAR & PINION,DR. HSG, STAGE 4		1
228	2302260	GEAR-OUTPUT SHAFT,STG 5		1
230	2302010	SHAFT-OUTPUT, DR.HOUSING		1
232	2307304	BUSHING-INNER, UPPER/LOWER		2
234	2307305	BUSHING-OUTER, UPPER/LOWER		2
236	2304603	O-RING-SHAFT SEAL UPPER/LOW		2
238	2304604	O-RING-CASE SEAL		1
240	2307201	LEVER,GRIP GLIDE II		1
242	2302750	SPRING-LATCH,TORSION,PD/AP,S/S		1
244	2302628	PIN-ROLL,3/16 X 2.5" SS		1
246	2315615	DECAL-STOW/DEPLOY,PWRDRV3		1
248	2302605	PIN-ROLL 5/16" X 1/2"		4

▲ Not shown on Parts Diagram.

✘ This part is included in an assembly and cannot be ordered individually.

RIPTIDE POWERDRIVE MOUNT >

> Mount Parts Diagram



PARTS DIAGRAM & PARTS LIST

Mount Parts List

Assembly	Part #	Description	Notes	Quantity
A	2994864	BAG ASSEMBLY - (BOLT, NUT, WASHERS)		1
D	2884058	CONTROL BOARD-24V V2 W AP W/SHRNK	*70LB*	1
F	2884057	CONTROL BOARD-12V V2 W/AP W/SHRNK	*55LB*	1
Item	Part #	Description	Notes	Quantity
302	2301937	EXTRUSION BASE PD V2	*SALTWATER*	1
304	2303932	MOTOR REST-RIGHT, 3 5/8"		1
306	2303937	MOTOR REST-LEFT, 3 5/8"		1
308	2332104	SCREW-1/4-20 X 5/8 S/S	*SALTWATER*	9
310	2335110	PAD-PIVOT SUPPORT(SS)	*SALTWATER*	4
312	2305103	PIVOT PAD,559 FB DUROMETER 90A		2
314	2330510	PIN-LATCH (PD BASE)SS	*SALTWATER*	1
316	2330520	PIN-PIVOT (PD BASE)SS	*SALTWATER*	1
318	2333100	NUT-SPEED (SS)	*SALTWATER*	4
320	2303612	ROD-RELEASE (RT/AP) S/S		1
322	2322700	SPRING-TORSION		1
324	2333705	LEVER-RELEASE S/S	*SALTWATER*	1
326	2300101	RELEASE-KNOB		1
328	2301700	SPACER-RELEASE LEVER-BRASS		1
330	2304087	CONTROL BOARD-24V V2 W/AP		1
	2304086	CONTROL BOARD-12V V2 W/AP		1
332	2303434	SCREW-#8-32 X 5/8 MACH PHCR SS		3
334	2090651	LEADWIRE,10 GA, PD/GENESIS		1
336	2321310	STRAIN RELIEF		1
338	2323405	SCREW-1/4-20 X 1/2" MCH SS		1
340	2306571	HOUSING-CENTER RT-WHITE	*SALTWATER*	1
342	2074081	BATTERY METER, 24V	*SALTWATER* *70LB*	1
	2074080	BATTERY METER, 12V	*SALTWATER* *55LB*	1
344	2383428	SCREW-#4-24 X 5/8 HI-LO SS		1
348	2325401	SHRINK TUBE-3/4 ID X 2" W/ADHS		1
350	2315613	DECAL-BAT METER, PD,SW,WHT	*SALTWATER*	1
352	2302935	STRAIN RELIEF-DR. HOUSING		1
358	2303982	SIDEPLATE-RIGHT RT-WHITE	*SALTWATER*	1
360	2303987	SIDEPLATE-LEFT RT-WHITE	*SALTWATER*	1
362	2991280	COIL CRD W/STRN RLF, PD 48"/54"		1
368	2305410	SHRINK TUBE-.315 OD X 2.25"	*SALTWATER*	3

▲ Not shown on Parts Diagram.

✳ This part is included in an assembly and cannot be ordered individually.

PARTS DIAGRAM & PARTS LIST



Item	Part #	Description	Notes	Quantity
370	2305415	SHRINK TUBE-.472 ID X 2.25"	*SALTWATER*	1
372	2305403	SHRINK TUBE-.500 IDX1.0" ADHSV	*SALTWATER*	4
374	2263462	SCREW-1/4-20 X 2" S/S PPH ADJT		6
376	2261713	WASHER-1/4 FLAT 18-8 SS		6
378	2263103	NUT-1/4-20 NYLOCK SS		6
380	2301720	WASHER-MOUNTING - RUBBER		6
382	2375400	SHRINK TUBE - 1/4 OD X 1-3/4		1

▲ Not shown on Parts Diagram.

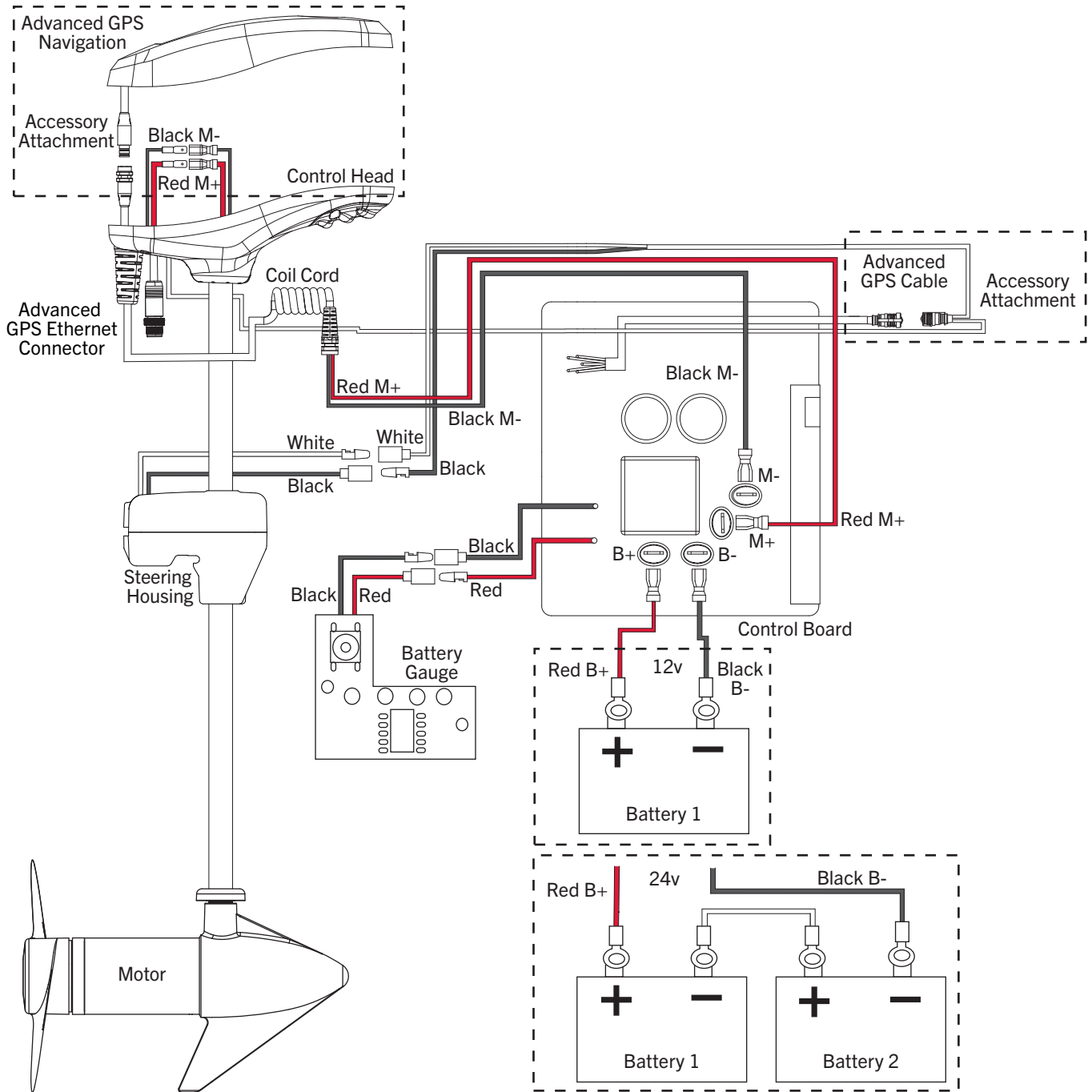
✘ This part is included in an assembly and cannot be ordered individually.



MOTOR WIRING DIAGRAM

RIPTIDE POWERDRIVE WITH ADVANCED GPS NAVIGATION

The following Motor Wiring Diagram applies to all Riptide PowerDrive models that come factory installed with Advanced GPS Navigation.



NOTICE: This is a multi-voltage diagram. Double-check your motor's voltage for proper connections. Over-Current Protection Devices are not shown in this illustration.