

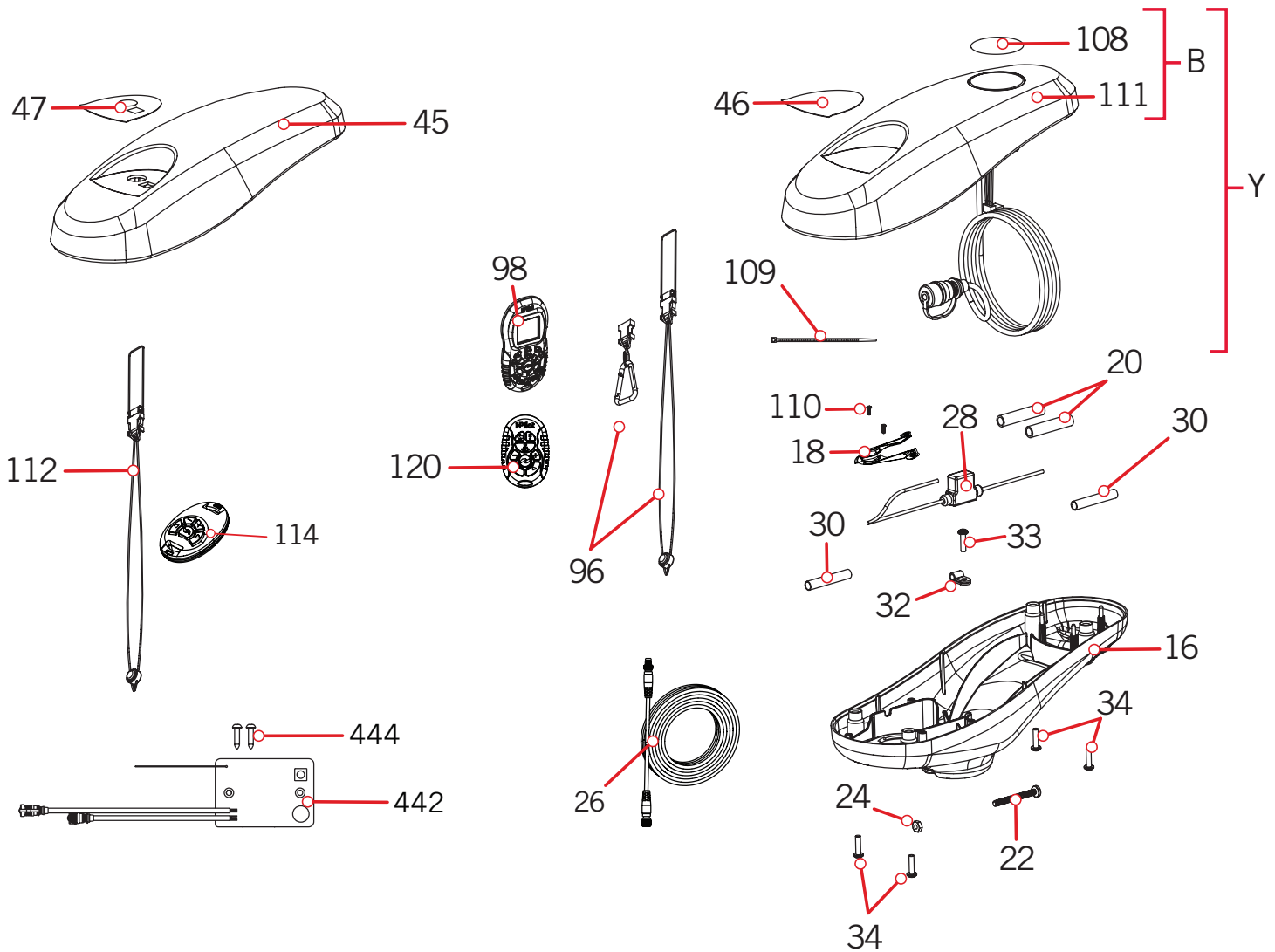
# PARTS DIAGRAM & PARTS LIST

## POWERDRIVE - 45/50/55/70 LBS THRUST - 12/24 VOLT - 48"/54"/60" SHAFT

The parts diagram and parts list provides Minn Kota® WEEE compliance disassembly instructions. For more information about where you should dispose of your waste equipment for recycling and recovery and/or your European Union member state requirements, please contact your dealer or distributor from which your product was purchased. Tools required, but not limited to: flat head screwdriver, Phillips screwdriver, socket set, pliers, wire cutters.

### POWERDRIVE CONTROL HEAD >

#### > Control Head Parts Diagram



# PARTS DIAGRAM & PARTS LIST

## Control Head Parts List

Assembly	Part #	Description	Quantity
B	2770218 ◆	COVER KIT, iP 1.6 PWRDRIVE POWERDRIVE SERVICE MK LOGO *i-PILOT COVER & DECALS ONLY*	1
Y	2774125 ◆	MOTOR KIT, iPLT 1.6 POWERDRIVE *i-PILOT RECEIVER*	1
Item	Part #	Description	Quantity
16	2292505	CONTROL BOX (PD/AP)	1
18	2224706	PLUG, SCREW-DOWN, BLK	1
20	2065400	WIRE INSULATOR-LGE 1-3/4,BLUE	2
22	2383407	SCREW-#10-24 X 2" PPH ZINC	1
24	2013110	NUT-HEX #10-24 UNC-2B (ZCP)	1
26	2211415 ◆	CABLE-EXTENSION, PD/AP 110" *iPILOT*	1
28	2218201	FUSE HOLDER ASSEMBLY	1
30	2375400	SHRINK TUBE-1/4OD X 1-3/4	2
32	2052510 ◆	CABLE CLAMP, 3/16", NYLON *iPILOT*	1
33	2012100 ◆	SCREW-#8-18 X 5/8 THD CUT*Z/P	1
34	2372100	SCREW-#8-18 X 5/8 THD* (SS)	4
	2012100	SCREW-#8-18 X 5/8 THD CUT*Z/P	4
45	2290217	CVR, CTRL BOX, V3 PRINTED	1
46	2315603 ◆	DECAL-PUSH BTN TOP,PD V3 70 iP *70LB THRUST*	1
	2395552 ◆	DECAL,PUSH BTN TOP PD/iP 55 *55LB THRUST	1
	2315730 ◆	DECAL-GENERIC, PUSH BTN TOP FW *45LB THRUST*	1
47	2315623	DECAL-COVER, 70 POWERDRIVE *70LB THRUST*	1
	2315619	DECAL-COVER, 50 POWERDRIVE *50LB THRUST*	1
	2315621	DECAL-COVER, 55 POWERDRIVE *55LB THRUST*	1
	2315618	DECAL-COVER, 45 POWERDRIVE *45LB THRUST*	1
	2315617	DECAL-COVER, 42 POWERDRIVE *42LB THRUST*	1
96	2390800 ◆	LANYARD, REMOTE W/ CARABINER	1
98	2994075 ◆	REMOTE ASSY, IPILOT 1.6	1
108	2395545 ◆	DECAL, DOMED IPILOT FW	1
▲	2317122	MANUAL-INSTALL GUIDE,PWRDRV BT	1
▲	2297165	MANUAL-DISCLAIMER,DWNLOAD INFO	1
▲	2317120	MANUAL, POWERDRIVE BT	1
▲	2397100 ◆	MANUAL, iPILOT 1.6	1
▲	2397106 ◆	GUIDE-QUICK REFERENCE, iP 1.6	1
109	2256300	TIE WRAP-5.5" BLACK	1
110	2372103	SCREW-#6 X .375 PLASTITE SS	2
111	2290212 ◆	COVER,CTRL BOX iP, PD PRINTED	1

▲ Not shown on Parts Diagram.

◆ This part is included in an assembly and cannot be ordered individually.

◆ Only available with models factory installed with i-Pilot or i-Pilot Link.

● Only available with models factory installed with CoPilot.

# PARTS DIAGRAM & PARTS LIST



Item	Part #	Description	Quantity
▲	2394903 ◆	QCK REF.GUIDE, iP MICRO RMT BT	1
112	2390801 ●	LANYARD, REMOTE	1
114	2774023 ●	TRANS/REC ASM PD CO-PLT FW	1
118	2994127	MTR KIT,iP 1.6 PD MICRO RT	1
120	2994079 ◆	REMOTE ASY, iP MICRO BLUETOOTH	1
442	2374092 ●	CTRL BOARD V2 COPILOT REC	1
444	2373418 ●	SCREW-#8 X 5/8 PPHSMS S/S	2

▲ Not shown on Parts Diagram.

✘ This part is included in an assembly and cannot be ordered individually.

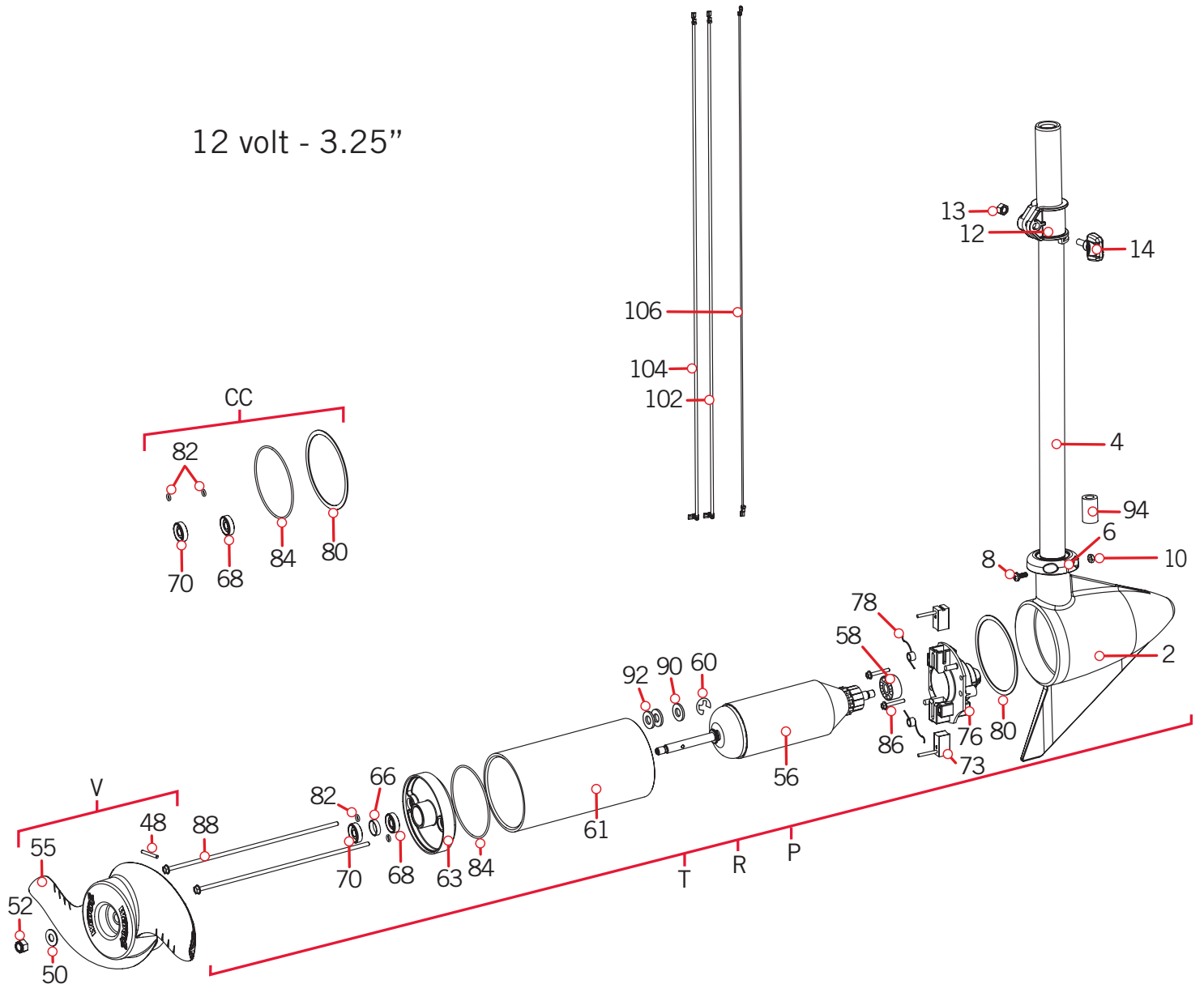
◆ Only available with models factory installed with i-Pilot or i-Pilot Link.

● Only available with models factory installed with CoPilot.



POWERDRIVE MOTOR >

> 12 Volt 3.25" Motor Parts Diagram



# PARTS DIAGRAM & PARTS LIST

## 12 Volt 3.25" Motor Parts List

Assembly	Part #	Description	Quantity
P	2069289	MTR ASY 12V 3.25 VS FW 45# BB *54"* *iPILOT*	1
R	2069283	MTR ASY 12V 3.25 VS FW 45 *48*	1
T	2069233	MTR ASY 12V 3.25 VS FW 42# BB *54"*	1
V	1378121	PROP IND 2061122 (PWR PROP)	1
CC	2883460	SEAL & O-RING KIT	1
Item	Part #	Description	Quantity
2	421-132	HSG BRUSH END 3.25	1
	421-127	HSG PLN END 3.25 FW TXT	1
4	2032076	TUBE COMPOSITE 54" PD/AP *54"*	1
	2032075	TUBE COMPOSITE 48" PD/AP *48"*	1
6	2301555	COLLAR-LATCH, PD/AP	1
8	2303434	SCREW-#8-32 X 5/8 MACH PHCR SS	1
10	2303112	NUT-#8-32 NYLOCK SS	1
12	2031522	COLLAR DRIVE (W/INSERT)	1
13	2013110	NUT-HEX #10-24 UNC-2B (ZCP)	1
14	2011365	SCREW-COLLAR/NEW KNOB	1
48	2092600	PIN-DRIVE 1.06" LG (SS)	1
50	2151726	WASHER-5/16 STD (S/S)	1
52	2053101	NUT-PROP,NYLOC (MED) 5/16 SS	1
55	2061122	PROP-POWER (3.25")	1
56	2-100-202	ARMATURE AS SY 12V 3.25	1
58	140-010	BALL BEARING	1
60	788-015	RETAINING RING *3.25*	1
61	2-200-079	CTR HSG ASY 3.25 TX-MAGNT	1
63	2-400-128	PLAIN END HSG ASY 3.25	1
66	144-049	BEARING - FLANGE (SERVICE ONLY)	1
68	880-003	SEAL	1
70	880-006	SEAL WITH SHIELD	1
73	188-052	BRUSH ASSEMBLY 3.25	2
76	738-030	BRUSH PLATE 3.25	1
78	975-032	SPRING - COMPRESSION 3.25	2
80	701-041	O-RING MEDIUM 3.25	1
82	701-007	O-RING *THRU BOLT*	2
84	701-039	O-RING SMALL 3.25	1
86	830-001	SCREW-#8-32x1.75 SELF-THRD	2

▲ Not shown on Parts Diagram.

✱ This part is included in an assembly and cannot be ordered individually.

◆ Only available with models factory installed with i-Pilot or i-Pilot Link.

● Only available with models factory installed with CoPilot.

# PARTS DIAGRAM & PARTS LIST



Item	Part #	Description	Quantity
88	830-078	THRU BOLT 8-32 X 8.96	2
90	990-067	WASHER - STEEL THRUST	1
92	990-070	WASHER - NYLATRON	1
94	2307314	BEAD-FERRITE *iPILOT*	1
104	640-104M	LEADWIRE RED 10AWG 48" *45LB THRUST*	1
106	640-003M	LEADWIRE BLK 10AWG 48" *45LB THRUST*	1

▲ Not shown on Parts Diagram.

✘ This part is included in an assembly and cannot be ordered individually.

◆ Only available with models factory installed with i-Pilot or i-Pilot Link.

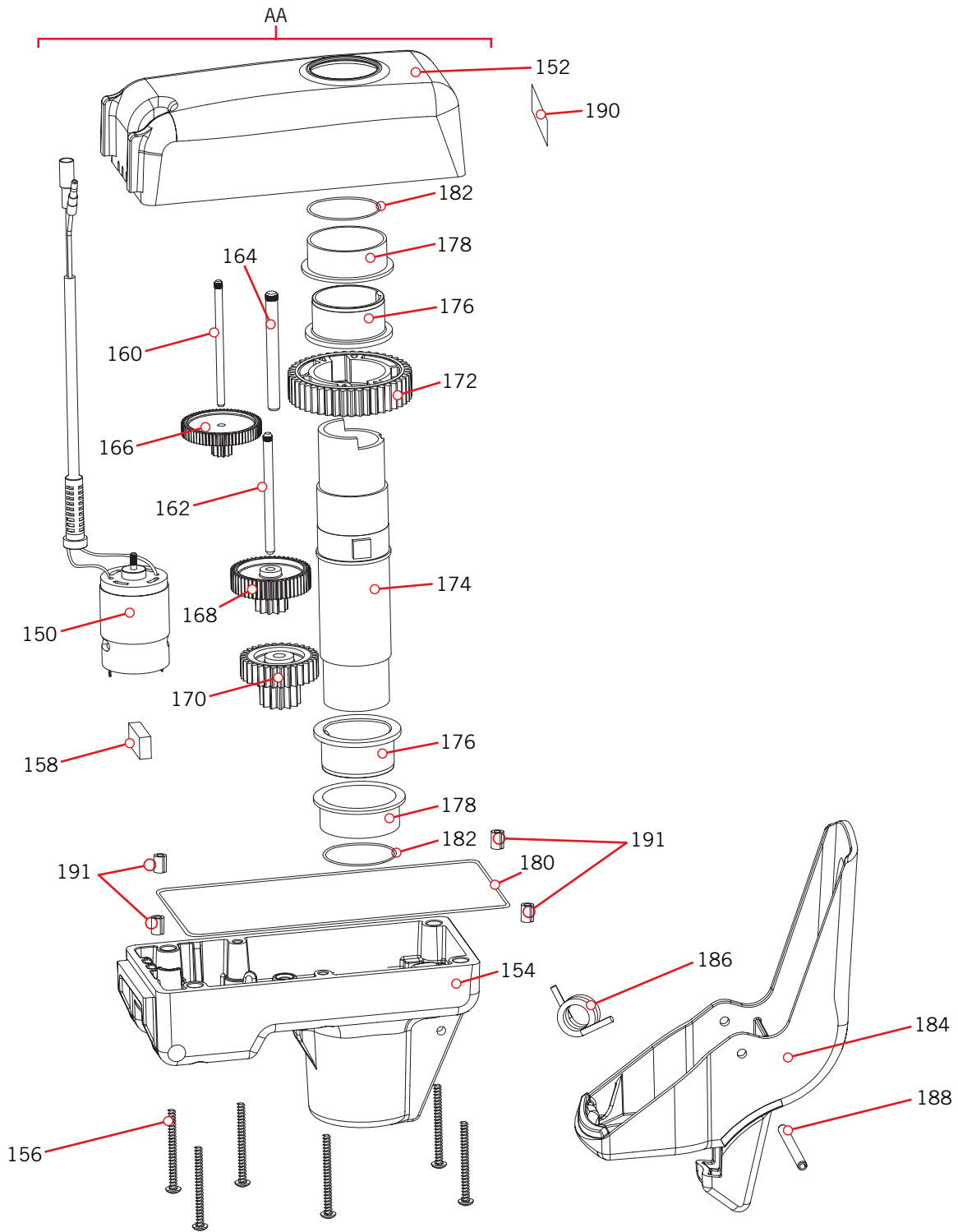
● Only available with models factory installed with CoPilot.



# PARTS DIAGRAM & PARTS LIST

## POWERDRIVE STEERING HOUSING >

### > Steering Housing Parts Diagram



» Steering Housing Parts List

Assembly	Part #	Description	Quantity
AA	2991836	DRIVE HOUSING ASSY, PD	1
Item	Part #	Description	Quantity
150	2307050	MOTOR DR.HSG PD/AP 12,24V	1
152	2302541	CASE-UPPER,ALUM,FW,PAINTED	1
154	2302561	CASE-LOWER, ALUM, FW, PAINTED	1
156	2303408	SCREW-#8-32 TYPE F TORX PH SS	6
158	2308601	BREATHER FILTER, DR.HOUSING	1
160	2302610	SHAFT-GEAR, FIRST CLUSTER	1
162	2302615	SHAFT-GEAR,INTERMED.CLUSTER	1
164	2302620	SHAFT-GEAR, THIRD CLUSTER	1
166	2302245	GEAR & PINION,DR. HSG, STAGE 2	1
168	2302250	GEAR & PINION,DR. HSG, STAGE 3	1
170	2302255	GEAR & PINION,DR. HSG, STAGE 4	1
172	2302260	GEAR-OUTPUT SHAFT,STG 5	1
174	2302010	SHAFT-OUTPUT, DR.HOUSING	1
176	2307304	BUSHING-INNER, UPPER/LOWER	2
178	2307305	BUSHING-OUTER, UPPER/LOWER	2
180	2304603	O-RING-SHAFT SEAL UPPER/LOW	2
182	2304604	O-RING-CASE SEAL	1
184	2307201	LEVER,GRIP GLIDE II	1
186	2302750	SPRING-LATCH,TORSION,PD/AP,S/S	1
188	2302627	PIN-ROLL,3/16 X 2.5" ZP	1
190	2305641	DECAL - STOW/DEPLOY; POWERDRIVE	1
191	2302605	PIN-ROLL 5/16" X 1/2"	4

▲ Not shown on Parts Diagram.

✘ This part is included in an assembly and cannot be ordered individually.

◆ Only available with models factory installed with i-Pilot or i-Pilot Link.

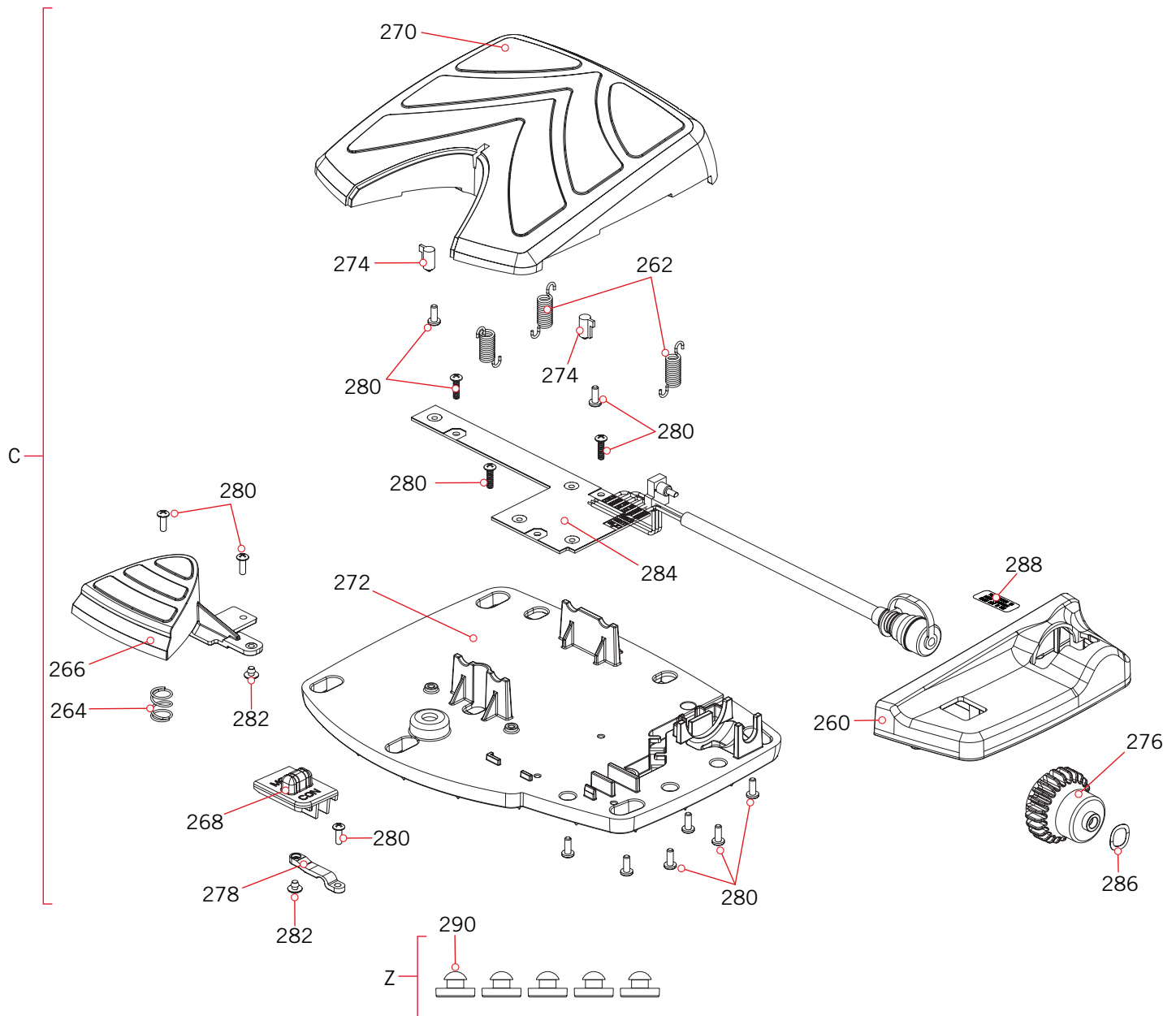
● Only available with models factory installed with CoPilot.



# PARTS DIAGRAM & PARTS LIST

## POWERDRIVE FOOT PEDAL >

### > Foot Pedal Parts Diagram





► Foot Pedal Parts List

Assembly	Part #	Description	Quantity
C	2994728	FOOT PEDAL ASSEMBLY, PD	1
Z	2994859	BAG ASY-TERROVA/V2,RUB.BUMPERS	1
Item	Part #	Description	Quantity
260	2300275	COVER-SPEED SELECTOR,PD FP,BLK	1
262	2302730	SPRING-LONG-UPPER PEDAL	3
264	2302732	SPRING-LOWER PEDAL S/S	1
266	2303725	BUTTON-MOMENTARY, PD FP, BLK	1
268	2303730	BUTTON-MOM/CON, PD FP, BLK	1
270	2304406	PEDAL, STRG ROCKER, PD FP, BLK	1
272	2304508	BASE, PEDAL PD	1
274	2305136	BUMPER,STRG RCKR,PD FP,RUBBER	2
276	2307905	WHEEL-SPEED, PD FP, BLK	1
278	2308609	SWITCH LEVER, SINGLE	1
280	2302105	SCREW #6-19 X 3/8 HIGH-LOW SS	14
282	2335130	BUMBER ACTUATOR	2
284	2994053	PCB/CTRL CORD, PD FT PEDAL	1
286	2301750	WASHER, WAVE, PD V3 FP	1
288	2316600	DECAL-ON/OFF SWITCH/PD V2 PED	1
290	2325110	PAD, FOOT PEDAL PD	5

▲ Not shown on Parts Diagram.

✘ This part is included in an assembly and cannot be ordered individually.

◆ Only available with models factory installed with i-Pilot or i-Pilot Link.

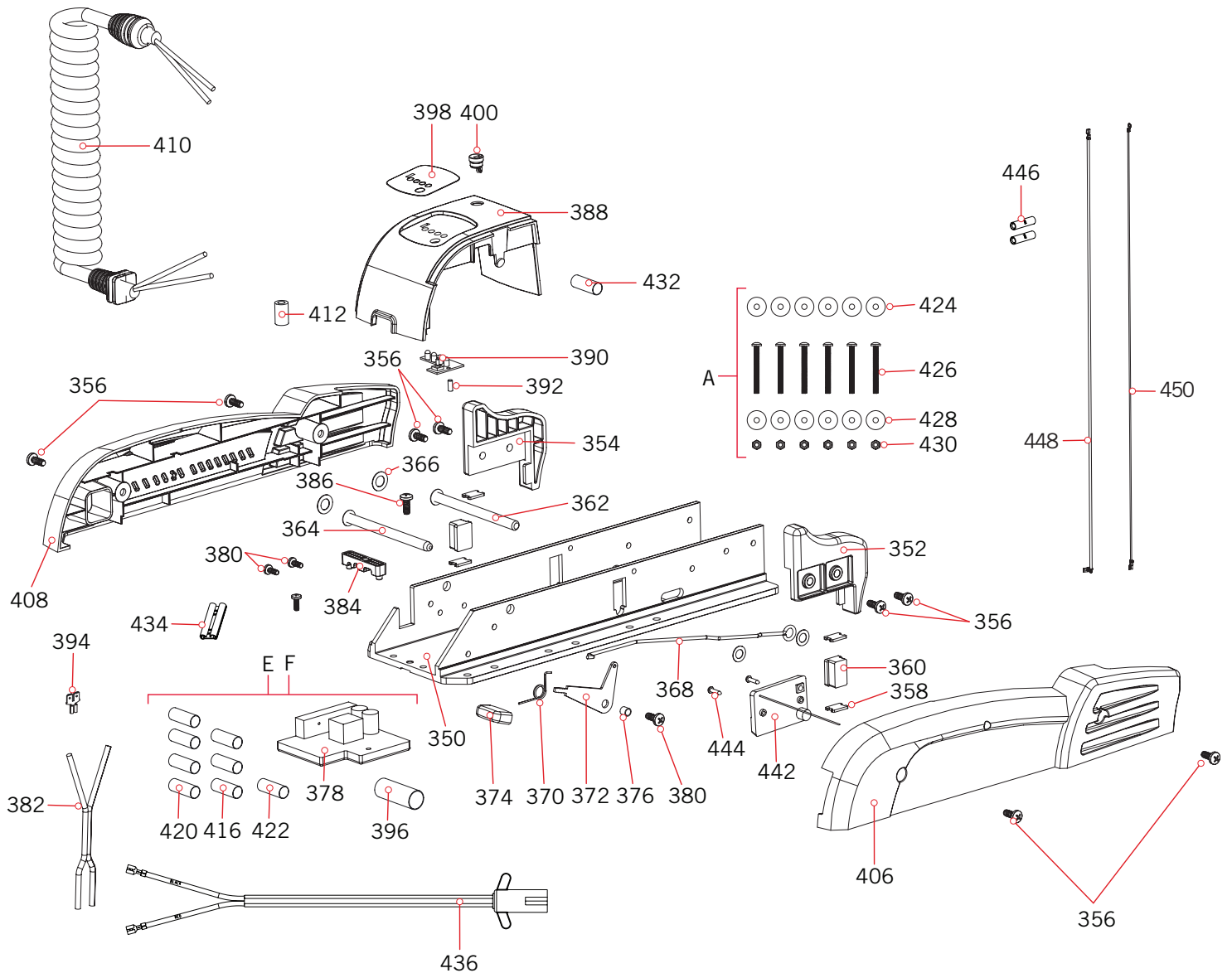
● Only available with models factory installed with CoPilot.



# PARTS DIAGRAM & PARTS LIST

## POWERDRIVE MOUNT >

### > Mount Parts Diagram



# PARTS DIAGRAM & PARTS LIST

## Mount Parts List

Assembly	Part #	Description	Quantity
A	2994864	BAG ASSEMBLY - (BOLT, NUT, WASHERS)	1
E	2884055	CONTROL BRD-12V V2 W/O AP W/SHRNK	1
F	2884056	CONTROL BRD-24V V2 W/O AP W/SHRNK	1
Item	Part #	Description	Quantity
350	2301936	EXTRUSION BASE PD V2	1
352	2303932	MOTOR REST-RIGHT, 3 5/8" *70LB* *50LB* *55LB*	1
	2303930	MOTOR REST-RIGHT, 3 1/4" *42LB* *45LB*	1
354	2303937	MOTOR REST-LEFT, 3 5/8" *70LB* *50LB* *55LB*	1
	2303935	MOTOR REST-LEFT, 3 1/4" *42LB* *45LB*	1
356	2303430	SCREW-1/4-20 X 5/8-SELFTAP ZP	9
358	2305110	PAD-PIVOT SUPT ZINC	4
360	2305103	PIVOT PAD,559 FB DUROMETER 90A	2
362	2300500	PIN-LATCH	1
364	2300510	PIN-PIVOT	1
366	2013100	NUT-SPEED	4
368	2303612	ROD-RELEASE (RT/AP) S/S	1
370	2322700	SPRING-TORSION	1
372	2303710	LEVER-RELEASE	1
374	2300101	RELEASE-KNOB	1
376	2301700	SPACER-RELEASE LEVER-BRASS	1
378	2304064	CONTROL BRD-12V V2 W/O AP *42LB 54"* *45LB 48"* *50LB 54"* *55LB 54"* *55LB 48"* *PONTOON* *55LB 54" COPILOT* *COPILOT* *55LB 54" US2* *UNIVERSAL SONAR*	1
	2304065	CONTROL BRD-24V V2 W/O AP *70LB 60"* *70LB 48"* *PONTOON* *70LB 60" US2* *UNIVERSAL SONAR*	1
	2304067	CONTROL BOARD-24V V2 W/AP *70LB 54" i-PILOT* *70LB 60" i-PILOT*	1
	2304066	CONTROL BOARD-12V V2 W/AP *54"* *45LB 54" i-PILOT* *55LB 54" i-PILOT*	1
380	2303434	SCREW-#8-32 X 5/8 MACH PHCR SS	3
382	2090651	LEADWIRE,10 GA *70LB*	1
384	2321310	STRAIN RELIEF	1
386	2323405	SCREW-1/4-20 X 1/2" MCH SS	1
388	2306570	HOUSING-CENTER, POWERDRIVE	1
390	2074071	BATTERY METER, 24V *70LB*	1
	2074070	BATTERY METER, 12V *55LB* *42LB* *45LB*	1
392	2383428	SCREW-#4-24 X 5/8 HI-LO SS	1
394	2320710	TERMINAL-AMP (T-TAB)	1
396	2325401	SHRINK TUBE-3/4 ID X 2" W/ADHS	1

▲ Not shown on Parts Diagram.

✱ This part is included in an assembly and cannot be ordered individually.

◆ Only available with models factory installed with i-Pilot or i-Pilot Link.

● Only available with models factory installed with CoPilot.

# PARTS DIAGRAM & PARTS LIST



Item	Part #	Description	Quantity
398	2305643	DECAL-BATTERY METER PD V2 FW	1
400	2302935	STRAIN RELIEF-DR. HOUSING	1
406	2303980	SIDEPLATE-RIGHT PD MK	1
408	2303985	SIDEPLATE-LEFT PD MK	1
410	2991284	COIL CORD W/STRAIN RLF,PD 60" *60" 70LB *iPILOT*	1
	2991280	COIL CRD W/STRN RLF, PD 48"/54" *48" 45LB* *54" 45LB* *54" 42LB*	1
	2991283	COIL CORD W/STRN RLF, PD 48"/54" *48" 70LB* *iPILOT* *54" 70LB*	1
412	2307313	BEAD-FERRITE	1
420	2305401	SHRINK TUBE-.374 ID X 1.5"	4
416	2305410	SHRINK TUBE-.315 OD X 2.25"	3
422	2305415	SHRINK TUBE-.472 ID X 2.25"	1
424	2263462	SCREW-1/4-20 X 2" S/S PPH ADJT	6
426	2261713	WASHER-1/4 FLAT 18-8 SS	6
428	2263103	NUT-1/4-20 NYLOCK SS	6
430	2301720	WASHER-MOUNTING - RUBBER	6
432	2375400	SHRINK TUBE-1/40D X 1-3/4	1
434	2320715	ADAPTER-TAB .25 F-F	1
436	2266730	LEADWIRE W/PLUG,12/24V,PD,TRKR	1
442	2374092 ●	CTRL BOARD V2 COPILOT REC(SUB)	1
444	2373418 ●	SCREW-#8 X 5/8 PPHSMS S/S	2
446	2030710	CONNECTOR BUTT *42LB 54"*	2
448	2030317	WIRE EXTENSION-18"-RED *42LB 54"*	1
450	2030316	WIRE EXTENSION-18"-BLACK *42LB 54"*	1

▲ Not shown on Parts Diagram.

✘ This part is included in an assembly and cannot be ordered individually.

◆ Only available with models factory installed with i-Pilot or i-Pilot Link.

● Only available with models factory installed with CoPilot.

