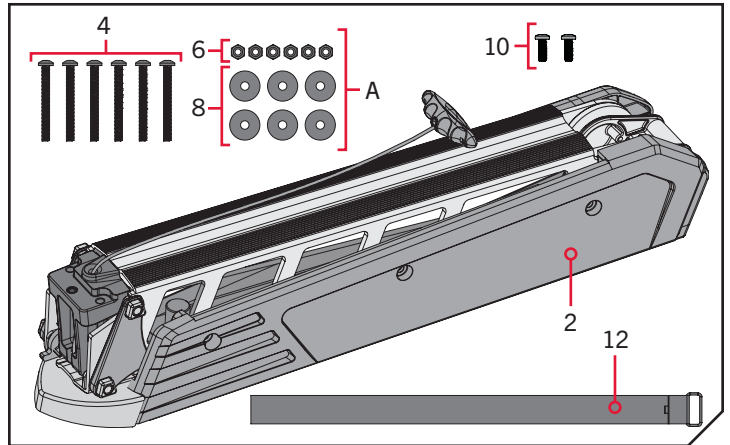


Designed to provide improved lift assist for Ultrex motors equipped with both a Humminbird® MEGA 360 Imaging™ and MEGA Live Imaging TargetLock™.

Item / Assembly	Part #	Description	Notes	Qty.
2	2991677	MNT ASM UTX 80/45"	Mount Assembly for 1854080	1
	2991674	MNT ASM UTX 80-112/52"	Mount Assembly for 1854081	1
	2991675	MNT ASM UTX 112/45"	Mount Assembly for 1854082	1
A Items 4-8	2994887	BAG ASM, FORTREX/ULTREX MNT HDW		1
4	2263468	SCREW-1/4-20X2.5" S/S PPH		6
6	2263103	NUT-1/4-20 NYLOCK SS		6
8	2261713	WASHER-1/4 FLAT 18-8 SS		6
10	2373434	SCREW-1/4-20 X 3/4 SS PPMS		2
▲	2297172	INSTALL GUIDE, M360/TL MNT		1
12	2263806	STRAP-HLDDWN, 33", HOOK&LP		1



▲ Not shown on Parts Diagram.

* This part is included in an assembly and cannot be ordered individually.

TOOLS AND RESOURCES REQUIRED >

- 1/4" Allen Wrench
- Torque Wrench
- #2 Phillips Screwdriver
- Two #3 Phillips Screwdriver
- Drill
- 9/32" Drill Bit
- Pencil or similar marking tool
- 7/16" Box End Wrench
- A second person to help with the installation
- 5/64 Allen Wrench
- Hack Saw

MOUNTING CONSIDERATIONS >

Mounting considerations for the installation of a new mount are very similar to the installation of a brand new motor. It is recommended that the new mount be installed as close to the keel or centerline of the boat as possible. Make sure the area under the mounting location is clear to drill holes and install nuts and washers. Minn Kota requires the use of all 6 mounting holes. Make sure the motor rest on the mount is positioned far enough beyond the edge of the boat. The motor must not encounter any obstructions as it is lowered into the water or raised into the boat when stowed and deployed. Consider a quick release or adapter bracket with the installation of your new mount. To view a list of accessories, please visit minnkotamotors.com.

The Ultrex Accessory Mount provides improved lift assist for Ultrex motors when installed with both Humminbird MEGA 360 Imaging and MEGA Live Imaging TargetLock. When installing this Mount, complete the installation of the Humminbird accessories. Please refer to Humminbird for instructions for the Humminbird accessory installed on the motor. If using this Mount without the use of the Humminbird accessories, Minn Kota recommends using your original mount.

REMOVAL OF CURRENT MOUNT >

To install the Ultrex Accessory Mount, remove the current Mount from the trolling motor. This installation requires disconnecting the gas spring, removing the Steering Module from the Mount, and uninstalling the Mount from either the deck of the boat or a Quick Release Bracket.

> Disconnect the Gas Spring

1

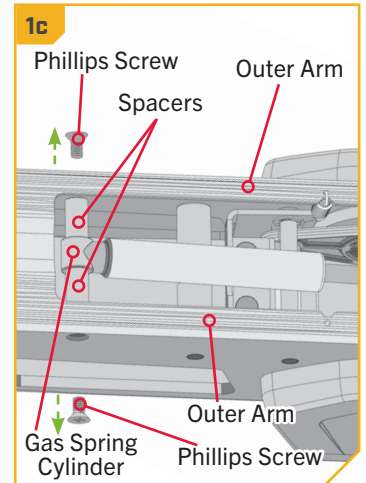
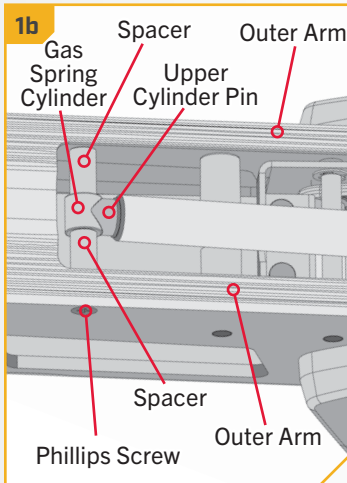
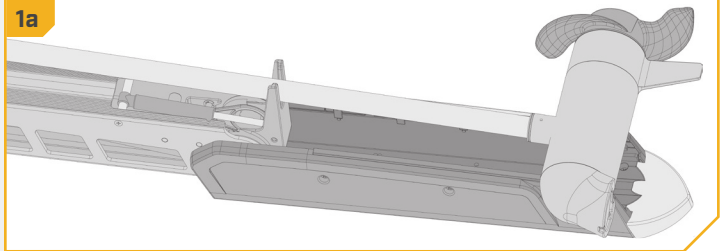
WARNING

Moving parts can cut or crush. The gas assist lift mechanism is under pressure. Disconnect gas spring before removing motor from mount. Do not engage the Pull Grip and Cable until gas spring is disconnected.

- To remove the Steering Module, the Gas Spring needs to be disconnected. Place the motor in the stowed position.
- To disconnect the Gas Spring, locate the Upper Cylinder Pin. Two Phillips Screws hold the Upper Cylinder for the Gas Spring in place. Using two #3 Phillips screwdrivers, hold the screw at one end of the Upper Cylinder Pin in place.
- Remove the screw at the opposite end of the pin with the other #3 Phillips screwdriver.

WARNING

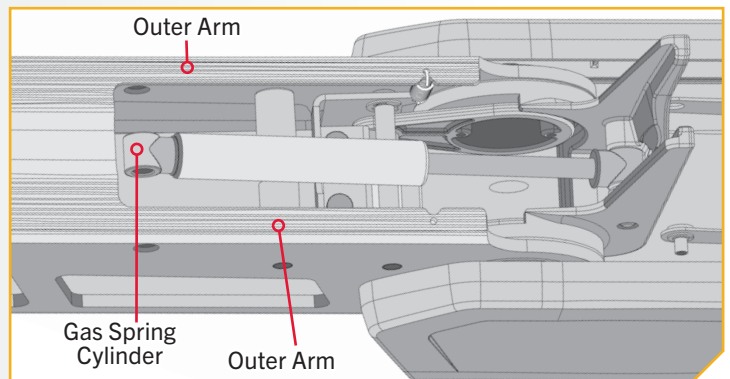
The gas assist lift mechanism in this unit is under high spring pressure when the motor is in the deployed position. Do not remove the Steering Module assembly from the mount without disconnecting one end of the gas spring. Failure to do this can create a condition where accidental pulling of the Pull Grip and Cable may cause the mount to spring open rapidly, striking anyone or anything in the direct path.



NOTICE: Use a #3 Phillips screwdriver to remove the screws. They have a pre-applied thread locker. Failure to use the recommended tool can cause damage and prevent the screws from being removed.

2

- Once the screws are removed, remove the pin and spacers from the Upper Cylinder.
- Now it is safe to move the motor into the deployed position.



Remove Motor From Mount

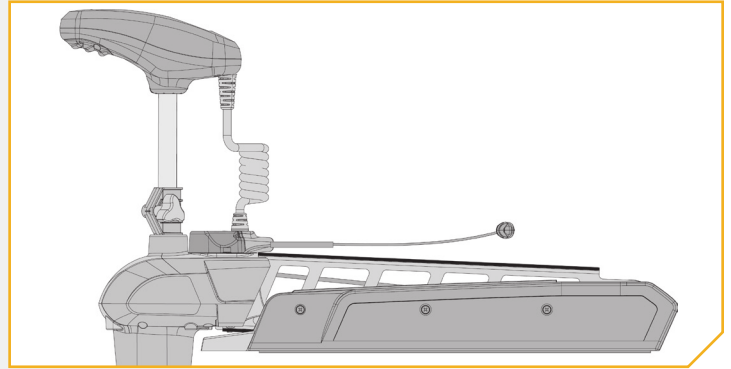
1

- a. With the gas spring disconnected, place the motor in the deployed position.



WARNING

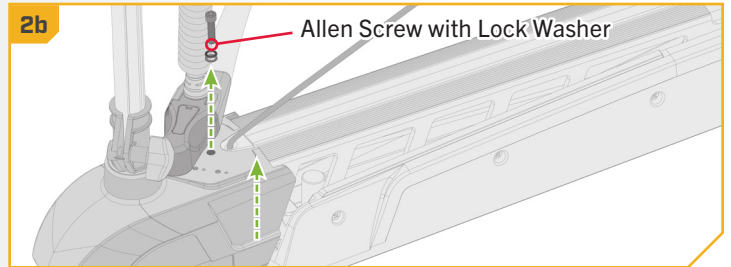
Moving parts can cut or crush. The gas assist lift mechanism is under pressure. Disconnect gas spring before removing motor from mount. Do not engage the Pull Grip and Cable until gas spring is disconnected.



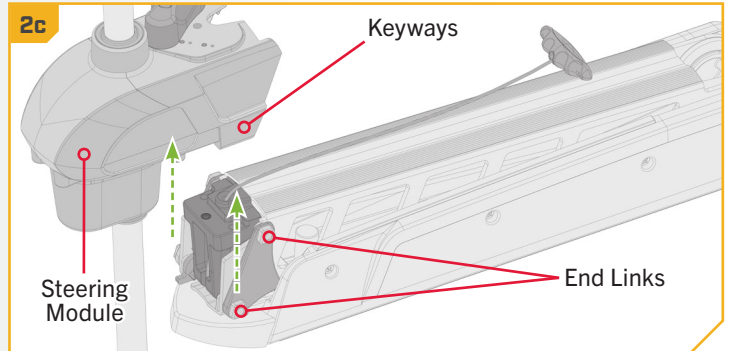
2

- b. A 5/16" Allen Screw is located on the Mount. The Screw is on the opposite end of the Mount from the hinge. The hinge allows the Mount to stow and deploy. Remove the 5/16" Allen Screw with a 1/4" Allen Wrench.
- c. Once the Allen Screw and Lock Washer are removed, lift the Steering Module straight up until free from the mount.

2b



2c



3

- d. Confirm that the Gas Spring Pin is disconnected. Please review the "Disconnect the Gas Spring" section of these instructions if unsure.

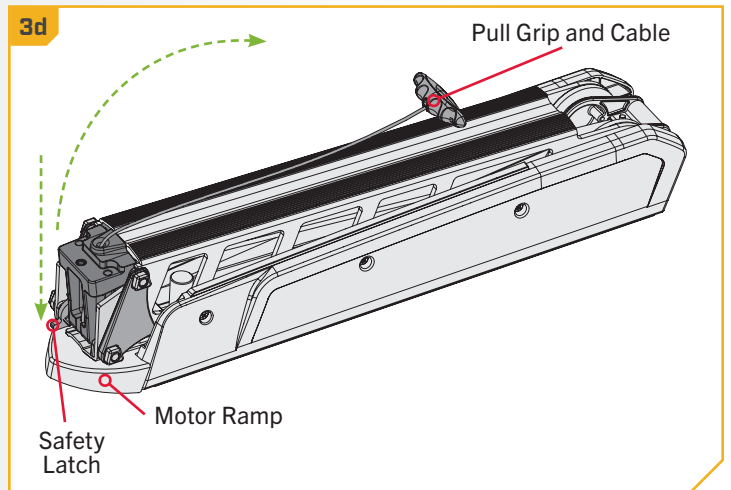


WARNING

Moving parts can cut or crush. The gas assist lift mechanism is under pressure. Disconnect gas spring before removing motor from mount. Do not engage the Pull Grip and Cable until gas spring is disconnected.

- e. Press and hold the Safety Latch down towards the Motor Ramp to the open position. With the Safety Latch held in the open position, stow the Mount with the Pull Grip and Cable to disengage the latch bar, allowing the Mount to fold into a flat position.
- f. Once the Mount is in the stowed or flat position, the Mount can be uninstalled from the deck of the boat or a Quick Release Bracket.

3d

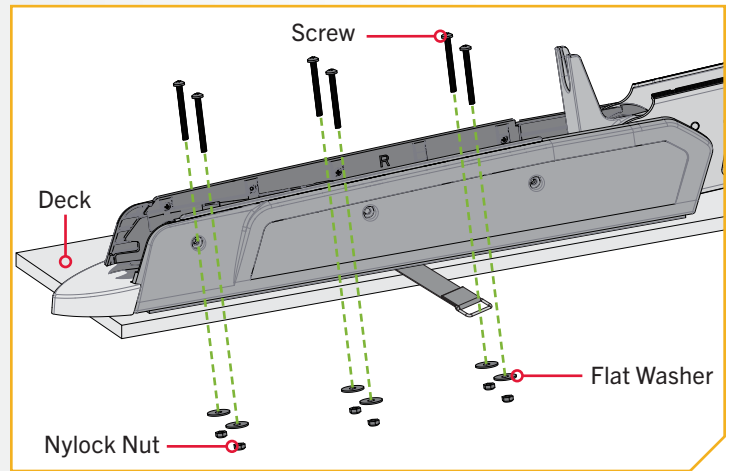


› Remove Mount from the Boat Deck

1

- Use a 7/16" Box End Wrench to hold one of the six Nylock Nuts securing the Mount to the Boat Deck. Then use a #3 Phillips Screwdriver to loosen and remove the 1/4-20 x 2 1/2" Screw held in place by the Nylock Nut.
- Remove the Flat Washer and then the Nylock Nut at the end of each Screw. Remove all six Screws until the Mount is free from the Deck of the Boat.
- Set the old Mount aside.

NOTICE : Discard the hardware securing the Mount to the Deck of the Boat. The new hardware Bag Assembly (Assembly #A) provided with the Mount Kit will be used to install the new mount on the deck of the boat.



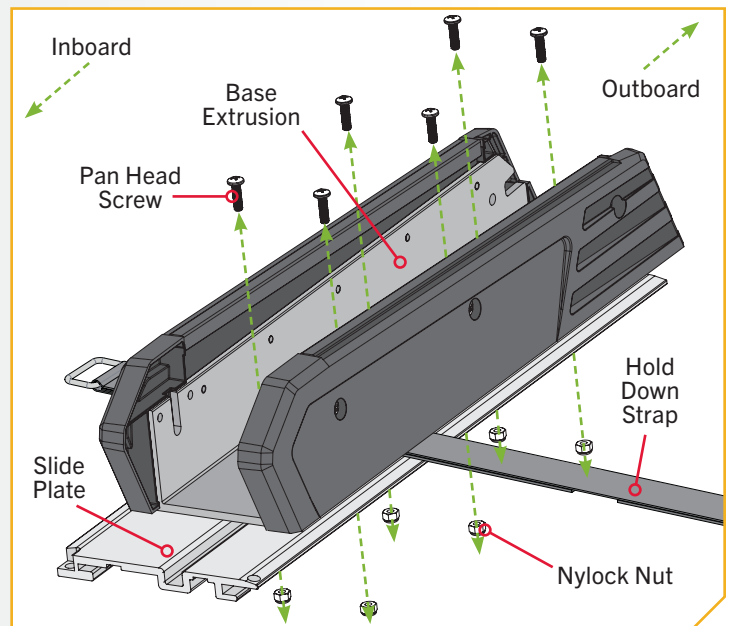
NOTICE: To prevent seizing of the stainless steel hardware, do not use high-speed installation tools. High-speed installation tools will cause the hardware to gall and make disassembly challenging.

› Remove Mount from the MKA-42 or MKA-52/62 Quick Release Bracket

1

- Use a 7/16" Box End Wrench to hold one of the six Nylock Nuts securing the Mount to the Slide Plate of the Quick Release Bracket. Then use a #3 Phillips Screwdriver to loosen and remove the 1/4" x 7/8" Pan Head Screw held in place by the Nylock Nut.
- Remove the Nylock Nut at the end of each screw. Remove all six Pan Head Screws until the Mount is free from the Slide Plate.
- Set the old Mount aside. Retain the Slide Plate for the new Mount.

NOTICE : Retain the hardware securing the Mount to the Quick Release Bracket. If new hardware is required to install the Ultrex Accessory Mount to the MKA-42 or MKA-52/62 Quick Release Bracket, Minn Kota recommends purchasing a new Bag Assembly (Part #2994829) online at minnkotamotors.com.



NOTICE: To prevent seizing of the stainless steel hardware, do not use high-speed installation tools. High-speed installation tools will cause the hardware to gall and make disassembly challenging.

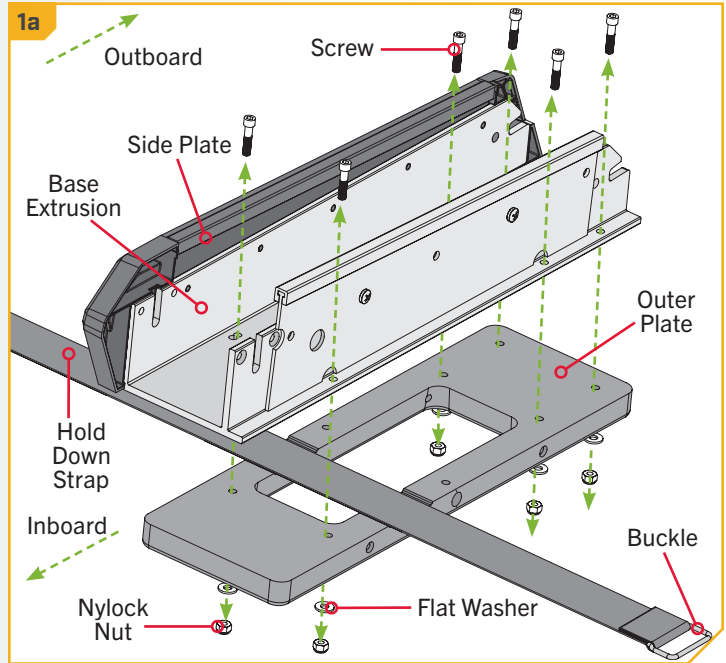
› Remove Mount from the MKA-23 or RTA-19

1

- Use a 7/16" Box End Wrench to hold one of the six Nylock Nuts securing the Mount to the Outer Plate of the Quick Release Bracket. Use a Socket Wrench to loosen and remove the 1/4" x 1 1/8" Socket Head Screws held in place by the Nylock Nut.
- Remove the Nylock Nut at the end of each screw. Remove all six Socket Head Screws until the Mount is free from the Outer Plate.
- Set the old Mount aside. Retain the Outer Plate of the Quick Release Bracket for the new Mount.

NOTICE: Retain the hardware securing the Mount to the Quick Release Bracket. If new hardware is required to install the Mount Kit to the MKA-23 or RTA-19 Quick Release Bracket, Minn Kota recommends purchasing Bag Assembly (Part #2994854) on line at minnkotamotors.com.

NOTICE: Depending on the bolt pattern used to install the Ultrex Mount to the Outer Plate of the Quick Release Bracket, the Right Side Plate may need to be removed to access the mounting holes in the base of the Mount. Use a #2 Screwdriver to remove the Side Plate if necessary.



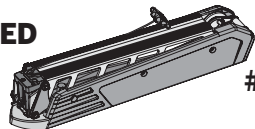
NOTICE: To prevent seizing of the stainless steel hardware, do not use high-speed installation tools. High-speed installation tools will cause the hardware to gall and make disassembly challenging.

INSTALLATION OF THE NEW MOUNT ›

› Assembly of Steering Module to the Ultrex Accessory Mount

1

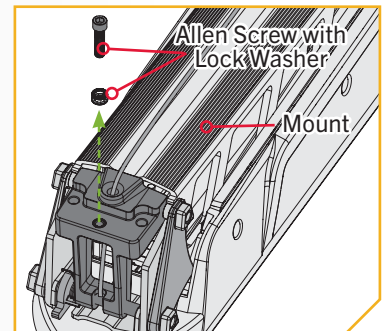
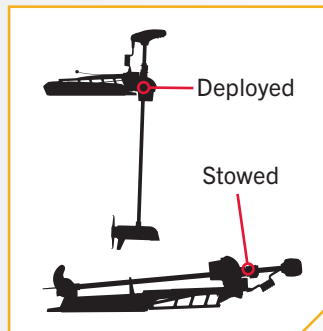
ITEM(S) NEEDED



#2 x 1

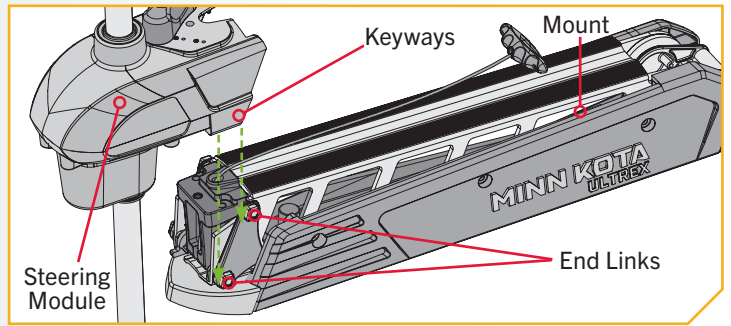
TT #10 x 2

- Place the Ultrex Accessory Mount (Item #2) on an elevated, level surface such as a workbench or the tailgate of a pickup. The Mount, as removed from the box, should be in the deployed position.
- A 5/16" Allen Screw is located on the Mount. The Screw is on the opposite end of the Mount from the hinge. The hinge allows the Mount to stow and deploy. Remove the 5/16" Allen Screw with a 1/4" Allen Wrench. Retain the two 1/4-20 X 3/4 Screws (Items #10) secured to the Mount with the Allen Screw for later in the installation. Retain the Allen Screw and Lock Washer for reassembly.



2

- c. Take the Steering Assembly uninstalled from the old Mount. Align the Keyways on the inside of the Steering Module with the End Links on the Ultrex Mount Accessory. Do this by positioning the Steering Module above the End Links on the Mount.
- d. Lower the Motor Assembly straight down until the Steering Module is seated.



⚠ WARNING

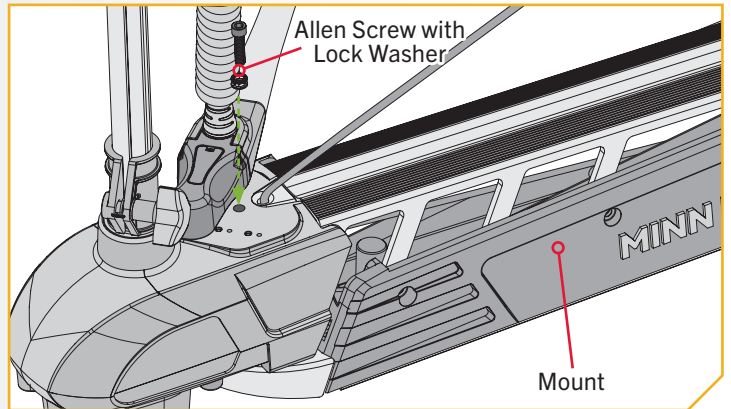
Carefully lower the Steering Module into place to avoid creating a pinch point between the Steering Module and Mount.

NOTICE: The Steering Assembly that was removed from the old Mount contains the Control Head, Shaft, Lower Unit, Steering Module and Foot Pedal.

3

- e. Reinstall the 5/16" Allen Screw and Lock Washer and tighten to 18 to 20 ft-lbs with a Torque Wrench.

NOTICE: The 5/16" Allen Screw must be tightened when installed and periodically re-tightened to 18 to 20 ft-lbs. This will allow the motor to stow properly. Tighten the Allen Screw when the Mount is in the deployed position.



» **Selecting a Mounting Location**

In completing the installation of the new Mount, it will only be possible to install the new Mount in one of three options:

1. Installing the Ultrex Accessory Mount to the Boat Deck
2. Installing the Ultrex Accessory Mount to the MKA-42 or MKA-52/62 Quick Release Bracket
3. Installing the Ultrex Accessory Mount to the MKA-23 or RTA-19 Quick Release Bracket

Select the desired mounting option and confirm the placement on the Boat Deck allows for the desired installation. Use the option when selecting, marking, and drilling the mounting location. Once the mounting location instructions are complete, follow the installation instructions below for the appropriate mounting option.

During installation, Minn Kota recommends mounting the motor to the boat before installing the Gas Spring. The Gas Spring is inside the Gas Spring Cylinder. The Gas Spring Cylinder is located on the inside of the Outer Arm. The Outer Arm is a part of the Mount. At this point in the installation, the Gas Spring Cylinder on the new Mount is not fully installed and may move around inside the mount when stowing and deploying the motor. The Gas Spring Cylinder can become damaged while deploying the motor, and the damage will prevent the Lift-Assist feature from operating correctly once fully assembled. Make sure that the Gas Spring Cylinder does not get damaged in the Mount.

NOTICE : If mounting to a Quick Release Bracket, check the placement of the new Mount with the plate from the Quick Release Bracket that was removed from the old mount. For motors installed to a MKA-42 or MKA-52/62, this piece is the Slide Plate composed of aluminum and may be short or long. For Mounts previously installed to a MKA-23 or RTA-19, this piece is the Outer Plate and is composite. The composite plate may be black (Part #2371973) or white (Part #2371972).

In addition, it may be necessary to change the installation placement from the original mounting location of the trolling motor on the deck of the boat. Minn Kota requires the use of all six mounting holes. If a Quick Release Bracket is used, Minn Kota requires the use of all six mounting holes to install the bracket to the Boat Deck. Check the placement of the trolling motor as it is intended to be installed. If the trolling motor is installed with a Quick Release Bracket, the bracket should be used when confirming the location of the new Mount. Check

the installation instructions for the Quick Release Brackets for more information. If installing the motor with an MKA-23 or RTA-19, please reference installation instructions 2374918. If installing the motor with an MKA-42 or MKA 52/62, please reference installation instructions 2374911. For complete installation instructions for either Quick Release Bracket, please visit minnkotamotors.com.

NOTICE: If installing the new mount to a Quick Release Bracket, double-check the placement of the plate that is installed to the Boat Deck. If the outer or bottom plate attached to the Boat Deck needs to be moved, please refer to the installation instructions for the Quick Release Bracket. Instructions can be found online at minnkotamotors.com.

1

ITEM(S) NEEDED

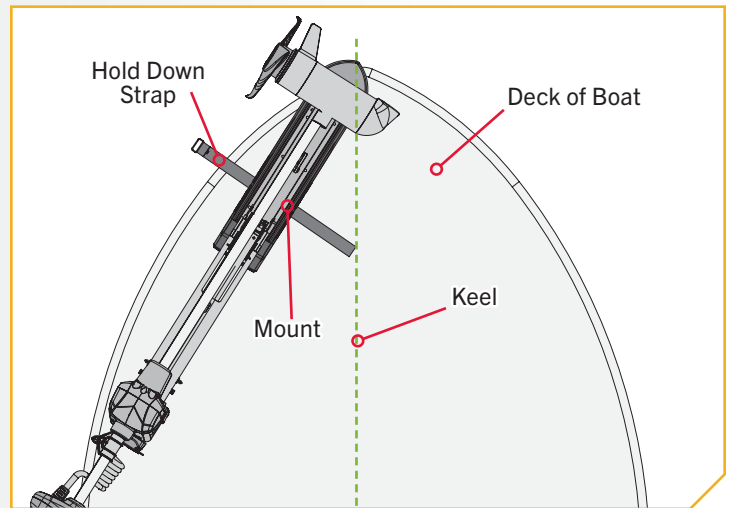


- a. Review the mounting considerations at the beginning of the Installation section for proper placement. With the motor in the stowed position, place the Mount on the deck of the boat, as close to the centerline or keel as possible. Check placement with the motor in both the stowed and deployed positions.

CAUTION

The Gas Spring can become damaged in the Mount while stowing or deploying the motor because it is not yet fully installed. Damage will prevent the Lift-Assist feature from operating correctly once fully assembled. Make sure that the Gas Spring does not get damaged by keeping it inside the Outer Arm of the Mount.

- b. Place the Hold Down Strap (Item #12) under the Base Extrusion so that it is below the Mount when placed. If installing with a Quick Release Bracket, be sure the Hold Down Strap is placed in the appropriate groove of the bracket.

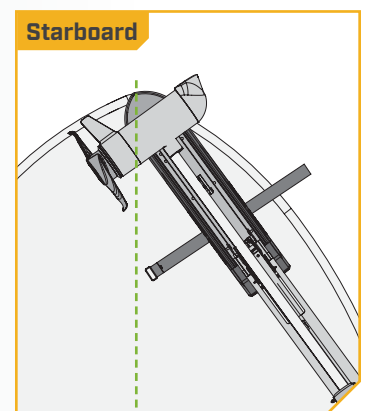
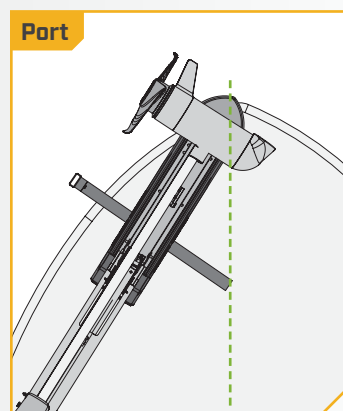


NOTICE: This motor weighs approximately 55 lbs. Minn Kota recommend having a second person help with the installation.

NOTICE: Check that the Motor can properly stow and deploy at the intended mounting location. The Mount should latch closed when deployed. A proper deployment requires engaging the Pull Grip and Cable when the Motor is stowed to unlatch the Mount. If the latch on the Mount does not engage when deployed, it could indicate that the Mount is not flat on the Boat Deck. Use rubber washers to level the Mount on the Boat Deck if the Mount is not latching when deployed.

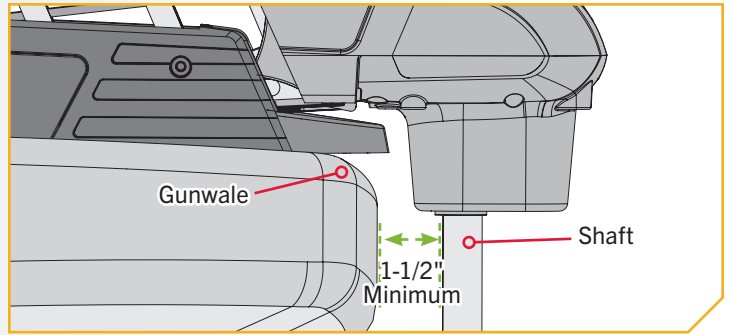
2

- c. The Mount can be installed on either the Port or Starboard side of the boat based on personal preference. Test the placement of the Hold Down Strap to be sure it can hold the Mount as placed. The placement of the buckle on the Hold Down Strap either inboard or outboard is based on personal preference. The hook and loop on the fastener should be face down for the Hold Down Strap to function.



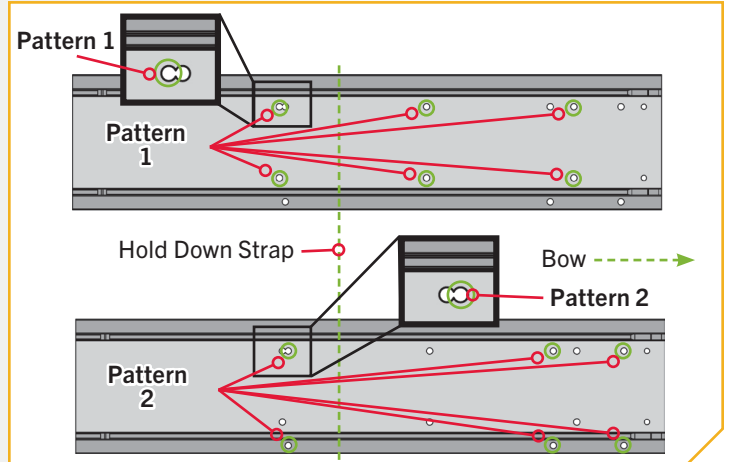
3

- d. With the motor in the deployed position, make sure that the Shaft is 1-1/2" out past the Gunwale of the boat. The lower unit must not encounter any obstructions when stowed or deployed.
- e. Check the placement of the Hold Down Strap when the motor is in the stowed and deployed positions and adjust if necessary.



4

- f. Once the Mount is in position, determine which bolt pattern to use. The bolt pattern selected will depend on the deck space available on your boat. Minn Kota requires the use of all six mounting holes.
- g. Mark all six mounting holes. Drill through the deck of the boat using a 9/32" Drill Bit on the marked locations.
- h. Be sure the Hold Down Strap under the base of the Base Extrusion sits between the second and third set of bolts according to the mounting pattern selected. Double-check that it can close around the Mount when stowed.
- i. Move the motor to the stowed position to install the hardware once the placement of the Hold Down Strap is positioned.



NOTICE: If Pattern 2 is used, the Hold Down Strap must be removed to access the mounting holes in the base of the Mount. Use a #2 Screwdriver to remove the side plate.

Installing the Ultrex Accessory Mount to the Boat Deck

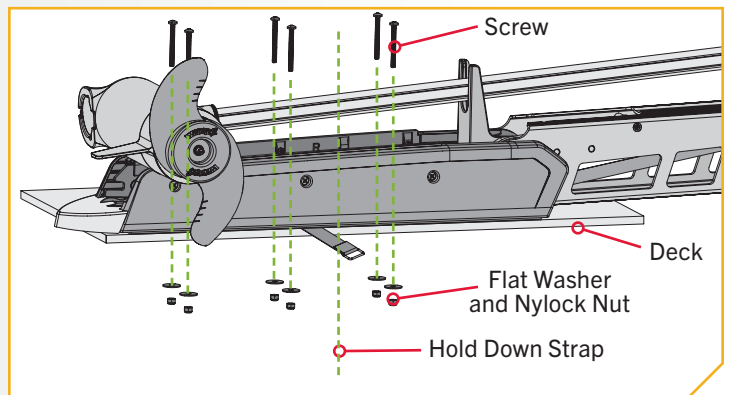
1

ITEM(S) NEEDED

- #6 x 6
- #8 x 6
- #4 x 6

- a. Confirm the placement of the Hold Down Strap.
- b. Put a 1/4-20 x 2 1/2" Screw (Item #4) in each of the drilled locations. The screw should pass through the Base Extrusion and the boat deck.
- c. Place a Flat Washer (Item #8) and then a Nylock Nut (Item #6) at the end of each screw and secure. Make sure all hardware is secure using a #3 Phillips Screwdriver and a 7/16" Box End Wrench.

NOTICE: To prevent seizing of the stainless steel hardware, do not use high-speed installation tools. Wetting the screws or applying an anti-seize may help prevent seizing.



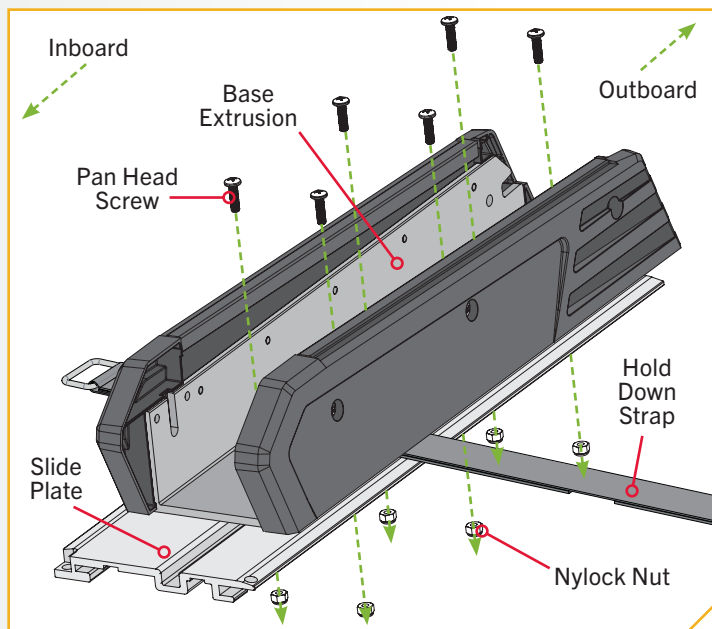
› Installing the Ultrex Accessory Mount to the MKA-42 or MKA-52/62 Quick Release Bracket

1

- a. Take the Slide Plate and align the mounting holes on the plate with the mounting holes on the Base Extrusion. The mounting holes closest to the short edge of the plate should face outboard. Make sure the Hold Down Strap is placed between the Mount and Slide Plate.
- b. Using a #3 Screwdriver, fasten the Base Extrusion to the Slide Plate with six 1/4" x 7/8" Pan Head Screws and six Nylock Nuts retained from the previous installation. The Screws should pass through the Base Extrusion and Slide Plate, then secured with a Nylock Nut.

NOTICE: If new hardware is required to install the Mount Kit to the MKA-42 or MKA-52/62 Quick Release Bracket, Minn Kota recommends purchasing Bag Assembly (Part #2994829) online at minnkotamotors.com.

NOTICE: To prevent seizing of the stainless steel hardware, do not use high-speed installation tools. Wetting the screws or applying an anti-seize may help prevent seizing.



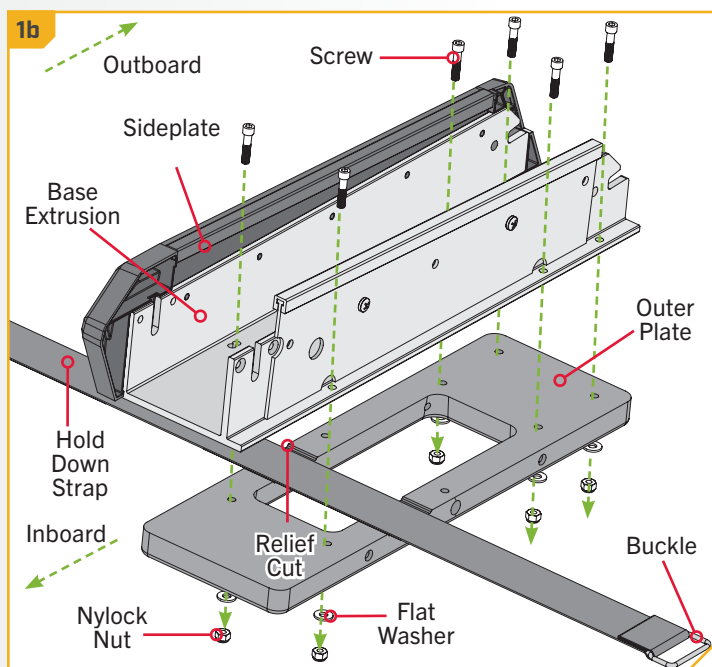
› Installing the Ultrex Accessory Mount to the MKA-23 or RTA-19 Quick Release Bracket

1

- a. Align the Base Extrusion with the mounting holes of the Outer Plate. Place the Hold Down Strap between the Base Extrusion and the Outer Plate. The strap must be located in the Relief Cut on the Outer Plate, or Quick Release Bracket failure may occur.
- b. Use six 1/4" x 1 1/8" Socket Head Screws, six Flat Washers, and six Nylock Nuts retained from the disassembly to fasten the motor mount to the Outer Plate. The Screws should pass through the Base Extrusion, the Outer Plate, then the Flat Washers and be secured by a Nylock Nut. Secure with a Socket Wrench and a 7/16" Box End Wrench.
- c. If the Right Sideplate was removed, reinstall it with a #2 Screwdriver.

NOTICE: To prevent seizing of the stainless steel hardware, do not use high-speed installation tools. Wetting the screws or applying an anti-seize may help prevent seizing.

NOTICE: If new hardware is required to install the Mount Kit to the MKA-23 or RTA-19 Quick Release Bracket, Minn Kota recommends purchasing Bag Assembly (Part #2994854) online at minnkotamotors.com.



NOTICE: Depending on the bolt pattern used to install the Ultrex Mount to the Outer Plate of the Quick Release Bracket, the Right Sideplate may need to be removed to access the mounting holes in the base of the Mount. Use a #2 Screwdriver to remove the Right Sideplate if necessary.

Installing the Gas Spring

1

- Use the Pull Grip and Cable to disengage the Latch Bar on the Mount.
- With the help of a second person, loosen the Depth Collar and position the motor halfway between the stowed and deployed position so that the Lower Unit rests on the Motor Ramp.



WARNING

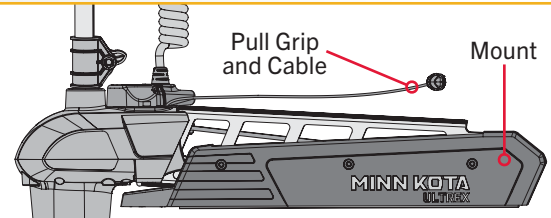
Moving parts can cut or crush. The gas assist lift mechanism is under pressure. Disconnect gas spring before removing motor from mount. Do not engage the Pull Grip and Cable until gas spring is disconnected.



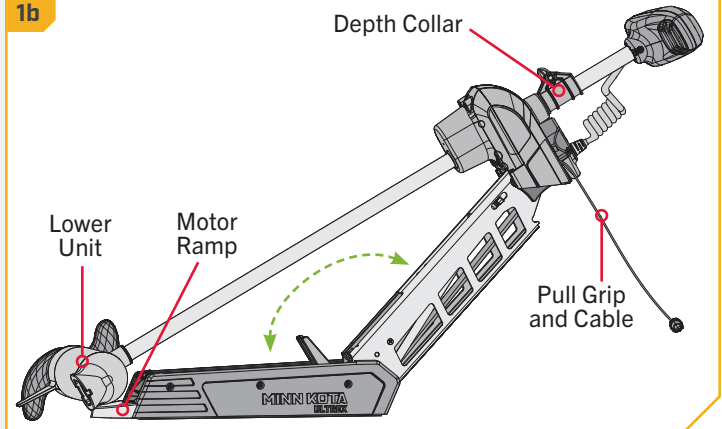
WARNING

The gas assist lift mechanism in this unit is under high spring pressure when the motor is in the deployed position. Do not remove the Steering Module assembly from the mount without disconnecting one end of the gas spring. Failure to do this can create a condition where accidental pulling of the Pull Grip and Cable may cause the mount to spring open rapidly, striking anyone or anything in the direct path.

1a



1b



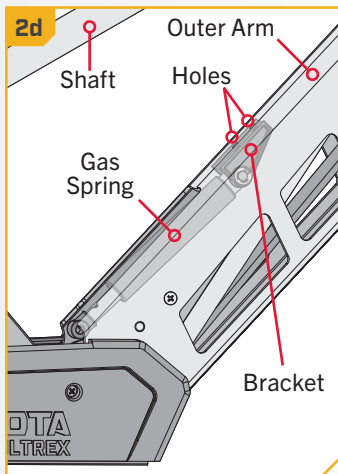
2

ITEM(S) NEEDED

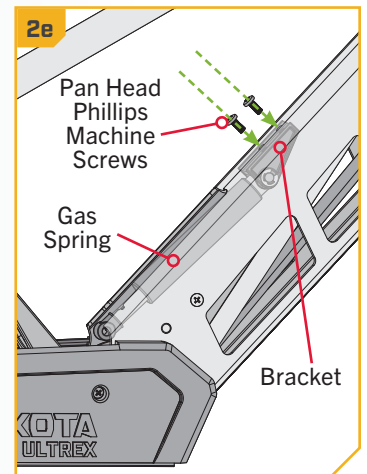


- The Gas Spring is located inside the Outer Arm. Once the motor is correctly positioned, the Gas Spring can be secured in place.
- There is a loose Bracket on the end of the Gas Spring with holes and recessed Nylock Nuts. Align the Bracket with the holes in the Outer Arm, which should be below the Shaft. Adjust the motor as needed to align the Bracket with the holes in the Outer Arm.
- Take two Pan Head Phillips Machine Screws (Item #10) and install them through the holes in the Outer Arm and into the Bracket at the end of the Gas Spring using a #3 Screwdriver. Tighten to 35 in-lbs.

2d



2e



Adjusting the Pull Grip and Cable

The length of the Cable on the Pull Grip and Cable can be adjusted based on personal preference. Before beginning the adjustment, the Gas Spring must be disengaged and the Steering Module must be removed. Please refer to the Removal of the Steering Module section and follow the procedure to Disconnect the Gas and Remove Motor from Mount. It is important to remove the Gas Spring and the Steering Module in order to access the Cable and associated hardware to make any adjustments.

1

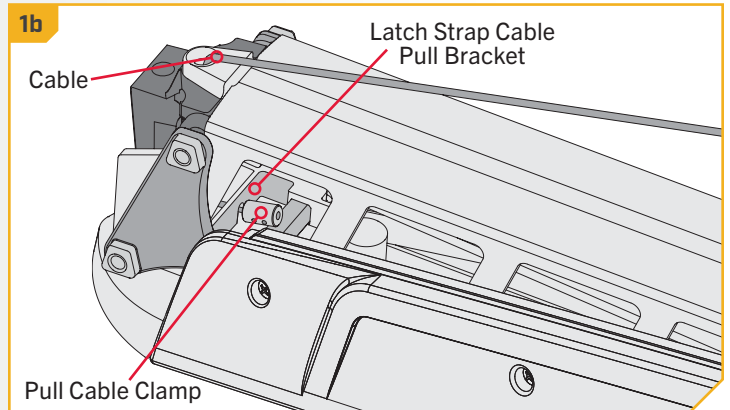
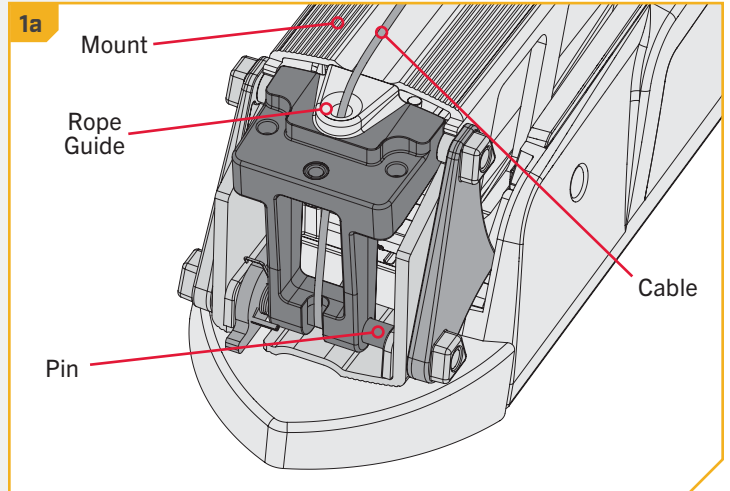
WARNING

Please refer to the Removal of the Steering Module section of this manual and follow the procedure to Disconnect the Gas Spring and Remove Motor from Mount. It is important to remove the Steering Module and Remove the Gas Spring in order to access the Cable and associated hardware to make the adjustment. Failure to complete these necessary steps will prevent the adjustment from being possible and will result in risk of injury.

- a. With the Gas Spring disconnected and the Steering Module removed, ensure that the mount is in the deployed position.

NOTICE: Observe how the Cable is routed through the Cable Guide, around the Pin, and into the Latch/Strap Cable Pull Bracket.

- b. Locate the end of the Cable and the Pull Cable Clamp inside the Aluminum Arm of the Mount.

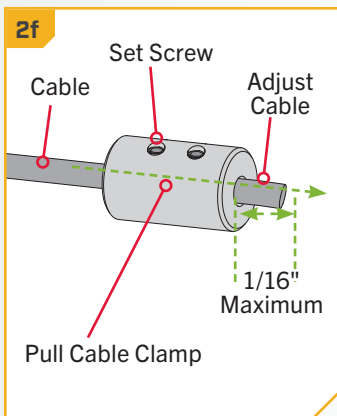
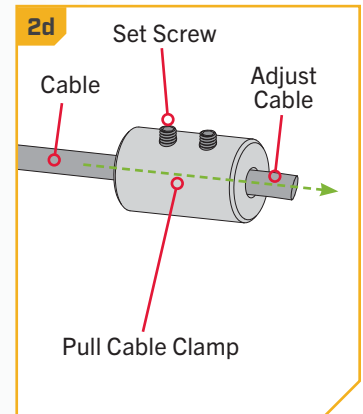
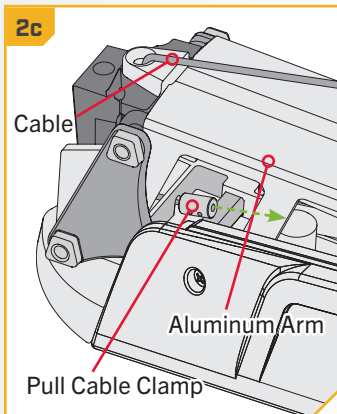


2

- c. Grasp the Pull Cable Clamp and Cable and pull it out of the Aluminum Arm.
- d. The Pull Cable Clamp contains two Set Screws. Loosen- but do not remove- these two screws with a 5/64 Allen Wrench until the Cable can slide in the Pull Cable Clamp.
- e. Adjust the Cable to the desired length.
- f. Retighten the two Set Screws using the 5/64 Allen Wrench. Tighten the Set Screws to 16-19 in-lbs. Be sure that the Set Screws are properly seated on the Cable in the Pull Cable Clamp. The Set Screws must provide adequate tension on the Cable to keep it retained in the Pull Cable Clamp during normal operation. When the two Set Screws are properly tightened, they must be recessed slightly below the surface of the Pull Cable Clamp.

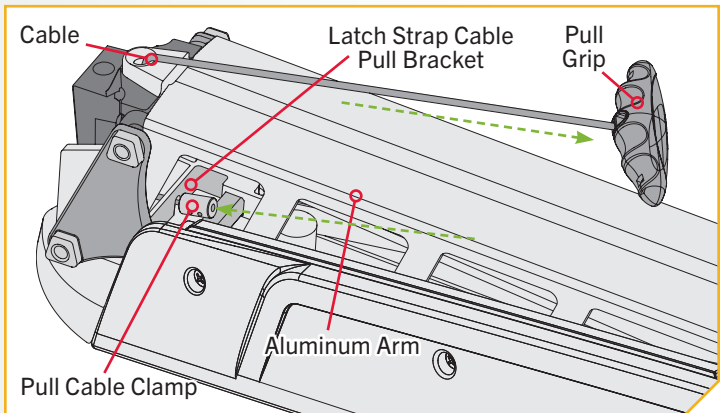
NOTICE: Be sure the two Set Screws are tightened adequately. When properly tightened, the two Set Screws must at least be recessed below the Pull Cable Clamp to maintain tension on the Cable in the Pull Cable Clamp during normal operation.

- g. Using a Hack Saw, trim the Cable so there is no more that 1/16" excess beyond the Pull Cable Clamp.



3

- h. Once the Cable has been cut to length, take the Pull Grip and pull the Cable back into place until it is seated against the Latch Strap Cable Pull Bracket.
- i. After the Cable is in place, refer to the "Removal of the Steering Module" section of these instructions and follow the procedure to "Reassemble the Steering Module."



For warranty information, please visit minnkotamotors.com.



Minn Kota Consumer & Technical Service
Johnson Outdoors Marine Electronics, Inc.
PO Box 8129
Mankato, MN 56001

121 Power Drive
Mankato, MN 56001
Phone (800) 227-6433
Fax (800) 527-4464



©2022 Johnson Outdoors Marine Electronics, Inc.
All rights reserved.