

PARTS DIAGRAM & PARTS LIST

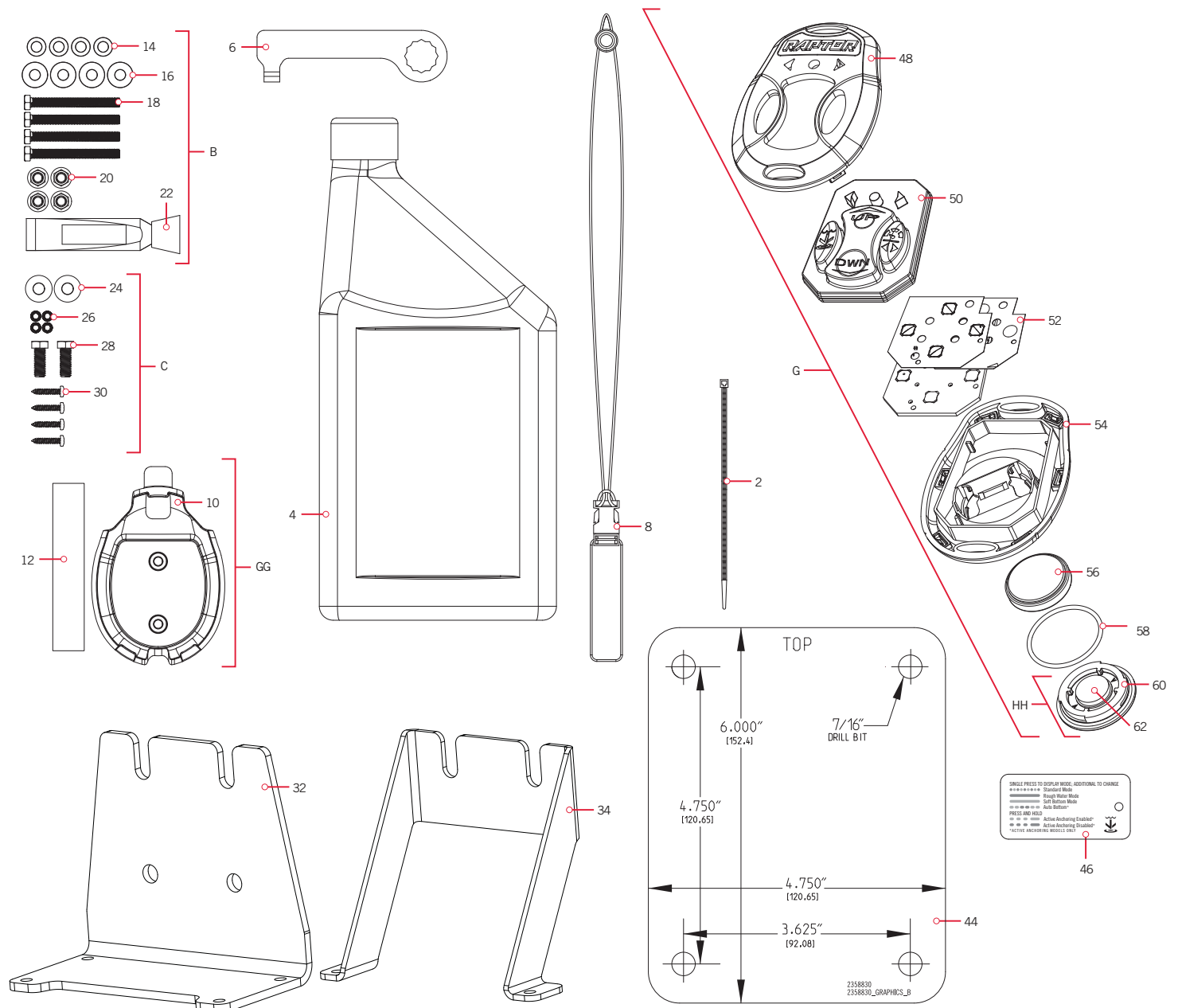
RAPTOR

12 VOLT - 8'/10' RAPTOR

The parts diagram and parts list provide Minn Kota® WEEE compliance disassembly instructions. For more information about where you should dispose of your waste equipment for recycling and recovery and/or your European Union member state requirements, please contact your dealer or distributor from which your product was purchased. Tools required, but not limited to: flat head screwdriver, Phillips screwdriver, socket set, pliers, wire cutters.

RAPTOR INSTALLATION HARDWARE AND REMOTE >

> Installation Hardware & Remote Parts Diagram



PARTS DIAGRAM & PARTS LIST

Installation Hardware & Remote Parts List

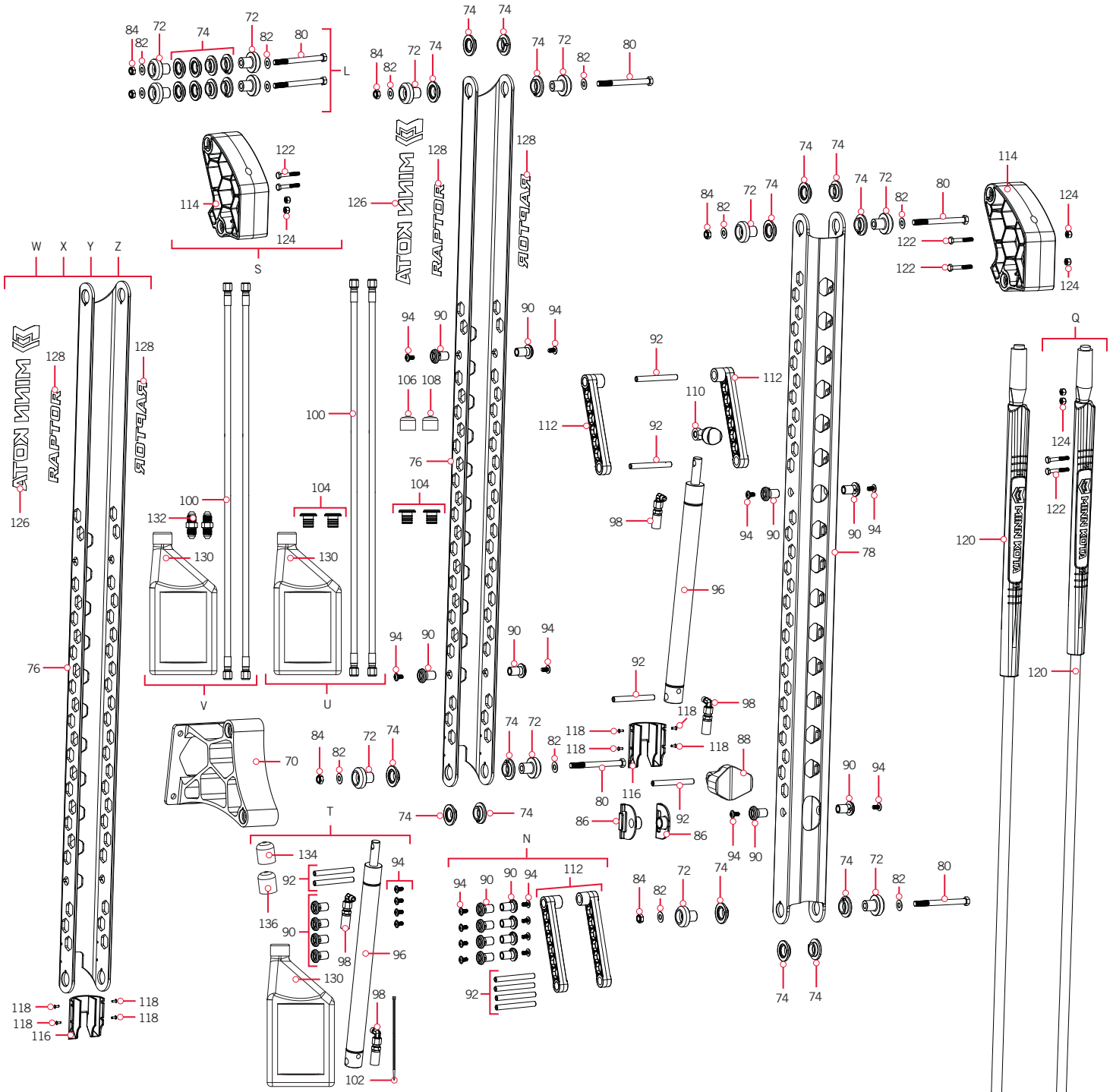
Assembly	Part #	Description	Notes	Quantity
B	2994943	BAG, ASM, RAPTOR HWD		1
C	2994944	BAG ASM, RAPTOR PUMP HDW		1
G	2994156	TRANSMITTER ASM, RAPTOR		1
GG	2771829	BRACKET,DASH MNT HLDR/TAPE KIT		1
HH	2886422	COVER, BATTERY COMPARTMENT ASY		1
Item	Part #	Description	Notes	Quantity
2	2376310	TIE WRAP-DH35 11.5"		1
4	2357700	OIL-HYDRAULIC, QUART, RPTR		1
6	2358800	WRENCH-PRESSURE, RAPTOR		1
8	2390801	LANYARD, REMOTE		1
10	2371829	BRACKET,RMT DASH MNT HLDR	*ASSEMBLY GG*	1
12	2375104	TAPE,MNTG,FOAM ULINE #S-10131	*ASSEMBLY GG*	1
14	2371758	WASHER-3/8 HD FLAT SS	*ASSEMBLY B*	4
16	2371759	WASHER-3/8 HD FENDER SS	*ASSEMBLY B*	4
18	2383421	SCREW-3/8-16X3 1/2 HHCS SS	*ASSEMBLY B*	4
20	2353102	NUT-3/8-16 FLANGE,NYLOK,SS	*ASSEMBLY B*	4
22	2378608	ANTI SEIZE TUBE, 4CC, TALON	*ASSEMBLY B*	1
24	2351735	WASHER-3/8" BELLEVILLE SS	*ASSEMBLY C*	2
26	2351733	WASHER-#10 BELLEVILLE SERRATED	*ASSEMBLY C*	4
28	2353412	SCREW-3/8-16 X 1.0" HHCS SS	*ASSEMBLY C*	2
30	2353420	SCREW-#10-16X1.00 TY AB SS	*ASSEMBLY C*	4
32	2351933	BRACKET-MOUNTING, PUMP		1
34	2351934	BRACKET-REINFORCING		1
36	2357141 ▲	INSTALL. INSTRUCTIONS,RPTR		1
38	2357142 ▲	DISCLAIMER-DOWNLOAD,MANUAL		1
40	2357140 ▲	MANUAL, RAPTOR ANCHOR		1
42	2006819 ▲	LABEL-CARTON ,"CAUTION HEAVY"		1
44	2358830	RAPTOR MOUNTING TEMPLATE		1
46	2354110	TAG, REMOTE, RAPTOR		1
48	✱	CASE-REMOTE, TOP, TALON 3	*ASSEMBLY G*	1
50	✱	KEYPAD-REMOTE, TALON 3	*ASSEMBLY G*	1
52	✱	CTRL BOARD,TRNSMTR,TALON 3	*ASSEMBLY G*	1
54	✱	CASE-REMOTE, BTM, TALON 3	*ASSEMBLY G*	1
56	✱	BATTERY CR2450	*ASSEMBLY G*	1
58	2376941	GASKET,BATTERY COMPARTMENT	*ASSEMBLY G*	1
60	✱	COVER, BATTERY COMPRT(SUB)	*ASSEMBLY G* *ASSEMBLY HH*	1
62	✱	PAD-FOAM, I-PILOT 1.5	*ASSEMBLY G* *ASSEMBLY HH*	1

✱ This part is included in an assembly and cannot be ordered individually.

▲ Not shown on Parts Diagram.

RAPTOR ANCHOR

Raptor 8ft Parts Diagram



PARTS DIAGRAM & PARTS LIST

› Raptor 8ft Parts List

Assembly	Part #	Description	Notes	Quantity
L	2777301	BUSHING KIT, MAIN, RAPTOR	*ASSEMBLY S QTY 2*	1
N	2777303	BUSHING KIT, CENTER, 8' RAPTOR	*8FT*	1
Q	2772019	SPIKE KIT 8' RAPTOR	*8FT*	1
S	2777300	UPPER KNUCKLE KIT, RAPTOR		1
T	2778411	CYLINDER KIT, RAPTOR		1
U	2771400	HYDRAULIC HOSE REP KIT, RAPTOR		1
V	2771401	HYDRAULIC HOSE EXT KIT, RAPTOR	*NOT INCLUDED FROM THE FACTORY*	1
W	2776512	RAPTOR UPPER ARM, 8', SILVER	*8FT*	1
X	2776513	RAPTOR UPPER ARM, 8', BLACK	*8FT*	1
Y	2776514	RAPTOR UPPER ARM, 8', WHITE	*8FT*	1
Z	2776515	RAPTOR UPPER ARM, 8', RED	*8FT*	1
Item	2776515	RAPTOR UPPER ARM, 8', RED	Notes	Quantity
70	2351908	BRACKET, LOWER MOUNT, PAINTED		1
	2351908	BRKT, LWR MNT, PAINT WHT	*WHITE*	1
72	2357310	BUSHING, PIVOT LINK, ANODIZED		8
74	2357301	BUSHING, FLANGE	*ASSEMBLY S* *ASSEMBLY L QTY 8*	16
76	2356513	EXTRUSION-OUTER, BLACK 8'	*BLACK* *8FT* *ASSEMBLY X*	1
	2356512	EXTRUSION-OUTER, CLEAR 8'	*SILVER* *8FT* *ASSEMBLY W*	1
	2356514	EXTRUSION-OUTER, WHITE 8'	*WHITE* *8FT* *ASSEMBLY Y*	1
	2356515	EXTRUSION-OUTER, RED 8'	*RED* 8FT* *ASSEMBLY Z*	1
78	2356523	EXTRUSION-INNER, BLACK 8'	*BLACK* *8FT*	1
	2356522	EXTRUSION-INNER, CLEAR 8'	*SILVER* *8FT*	1
	2356524	EXTRUSION-INNER, WHITE 8'	*WHITE* *8FT*	1
	2356525	EXTRUSION-INNER, RED 8'	*RED* *8FT*	1
80	2353500	BOLT-3/8-16 X 4.25" HEX HD SS	*ASSEMBLY S* *ASSEMBLY L QTY 2*	4
82	2351734	WASHER-3/8" FLAT SS	*ASSEMBLY S* *ASSEMBLY L QTY 4*	8
84	2263115	NUT-NYLOK JAM 3/8-16 UNC SS	*ASSEMBLY S* *ASSEMBLY L QTY 2*	4
86	2351721	SPACER, COMPRESSION SHIM		2
88	2355125	BUMPER, SPIKE LOWER		1
90	2357302	BUSHING, CENTER SUPPORT	*ASSEMBLY T QTY 4* *ASSEMBLY N*	8
92	2352610	PIN, CYLINDER BASE, RAPTOR	*ASSEMBLY N* *ASSEMBLY T*	4
94	2353403	SCREW-1/4-20 FLANGED BTTN HEAD	*ASSEMBLY T QTY 4* *ASSEMBLY N*	8
96	2358411	CYLINDER-HYDRAULIC, SS	*ASSEMBLY T*	1
98	2354600	FITTING-HYDRAULIC	*ASSEMBLY T*	2
100	2351400	HOSE, HYDRL ASM #JO-HOH-W-02-0	*ASSEMBLY V* *ASSEMBLY U*	2
102	2376310	TIE WRAP-DH35 11.5"	*ASSEMBLY T*	1
104	2352920	GROMMET-THRU HULL	*ASSEMBLY U*	2

✱ This part is included in an assembly and cannot be ordered individually.

▲ Not shown on Parts Diagram.

PARTS DIAGRAM & PARTS LIST



Item	2776515	RAPTOR UPPER ARM, 8', RED	Notes	Quantity
106	2350207	CAP-VINYL, .562" X 1/2" BLACK		1
108	2350208	CAP-VINYL, .562" X 1/2" GREEN		1
110	2355120	BUMPER, SPIKE UPPER		1
112	2352300	SUPPORT, CENTER CYLINDER	*ASSEMBLY N*	2
114	2351926	BRACKET, UPPER KNUCKLE, MACH	*ASSEMBLY S*	1
116	2351930	BRACKET, HOSE ROUTE LOWER	*ASSEMBLY Z* *ASSEMBLY Y* *ASSEMBLY X* *ASSEMBLY W*	1
118	2358600	RIVET-POP, 1/8"	*ASSEMBLY Z* *ASSEMBLY Y* *ASSEMBLY X* *ASSEMBLY W*	4
120	2352019	SPIKE, 8', .750" OVERMOLDED	*8FT* *ASSEMBLY Q*	1
122	2353501	BOLT-1/4-20 X 1.75 HEX SS	*ASSEMBLY S* *ASSEMBLY Q*	2
124	2353110	NUT-1/4-20 BRASS NYLON INSERT	*ASSEMBLY S* *ASSEMBLY Q*	2
126	2355642	DECAL, MINN KOTA RAPTOR BLK	*WHITE* *AA* *ASSEMBLY Z* *ASSEMBLY X* *ASSEMBLY W*	1
	2355640	DECAL, MINN KOTA RAPTOR WHT	*BLACK* *RED* *SILVER* *ASSEMBLY Y*	1
128	2355641	DECAL, RAPTOR SIDE	*ASSEMBLY Z* *ASSEMBLY Y* *ASSEMBLY X* *ASSEMBLY W*	2
130	2357700	NRA-OIL-HYDRAULIC, QUART, RPTR	*ASSEMBLY V* *ASSEMBLY U* *ASSEMBLY T*	1
132	2350800	UNION, STRGHT, JIC MALE-MALE	*ASSEMBLY V* *NOT INCLUDED FROM THE FACTORY*	2
134	2350205	CAP-VINYL, .406" X 1/2" BLACK	*ASSEMBLY T* *NOT INCLUDED FROM THE FACTORY*	1
136	2350206	CAP-VINYL, .406" X 1/2" GREEN	*ASSEMBLY T* *NOT INCLUDED FROM THE FACTORY*	1

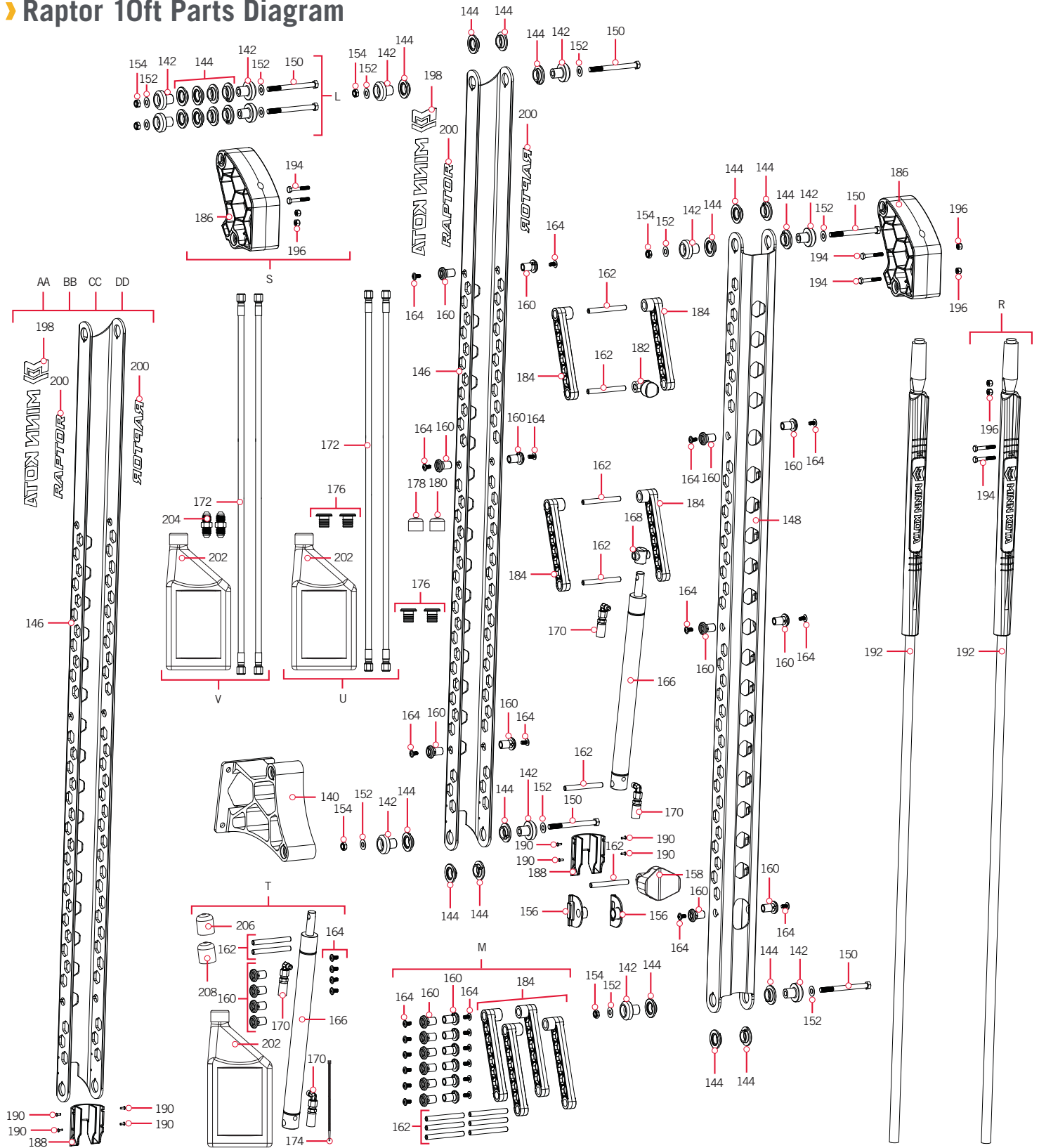
✘ This part is included in an assembly and cannot be ordered individually.

▲ Not shown on Parts Diagram.



PARTS DIAGRAM & PARTS LIST

► Raptor 10ft Parts Diagram



PARTS DIAGRAM & PARTS LIST

▶ Raptor 10ft Parts List

Assembly	Part #	Description	Notes	Quantity
L	2777301	BUSHING KIT, MAIN, RAPTOR	*ASSEMBLY S QTY 2*	1
M	2777302	BUSHING KIT, CENTER,10' RAPTOR	*10FT*	1
R	2772020	SPIKE KIT 10' RAPTOR	*10FT*	1
S	2777300	UPPER KNUCKLE KIT, RAPTOR		1
T	2778411	CYLINDER KIT, RAPTOR		1
U	2771400	HYDRAULIC HOSE REP KIT, RAPTOR		1
V	2771401	HYDRAULIC HOSE EXT KIT, RAPTOR	*NOT INCLUDED FROM THE FACTORY*	1
AA	2776532	RAPTOR UPPER ARM, 10', SILVER	*10FT*	1
BB	2776533	RAPTOR UPPER ARM, 10', BLACK	*10FT*	1
CC	2776534	RAPTOR UPPER ARM, 10', WHITE	*10FT*	1
DD	2776535	RAPTOR UPPER ARM, 10', RED	*10FT*	1
Item	Part #	Description	Notes	Quantity
140	2351908	BRACKET, LOWER MOUNT, PAINTED		1
	2351908	BRKT, LWR MNT, PAINT WHT	*WHITE*	1
142	2357310	BUSHING, PIVOT LINK, ANODIZED		8
144	2357301	BUSHING, FLANGE	*ASSEMBLY S* *ASSEMBLY L QTY 8*	16
146	2356534	EXTRUSION-OUTER, WHITE 10'	*AA* *WHITE* *10FT* *ASSEMBLY CC*	1
	2356535	EXTRUSION-OUTER, RED 10'	*AA* *RED* *10FT* *ASSEMBLY DD*	1
	2356532	EXTRUSION-OUTER, CLEAR 10'	*AA* *SILVER* *10FT* *ASSEMBLY AA*	1
	2356533	EXTRUSION-OUTER, BLACK 10'	*AA* *BLACK* *10FT* *ASSEMBLY BB*	1
148	2356544	EXTRUSION-INNER, WHITE 10'	*AA* *WHITE* *10FT*	1
	2356545	EXTRUSION-INNER, RED 10'	*AA* *RED* *10FT*	1
	2356542	EXTRUSION-INNER, CLEAR 10'	*AA* *SILVER* *10FT*	1
	2356543	EXTRUSION-INNER, BLACK 10'	*AA* *BLACK* *10FT*	1
150	2353500	BOLT-3/8-16 X 4.25" HEX HD SS	*ASSEMBLY S* *ASSEMBLY L QTY 2*	4
152	2351734	WASHER-3/8" FLAT SS	*ASSEMBLY S* *ASSEMBLY L QTY 4*	8
154	2263115	NUT-NYLOK JAM 3/8-16 UNC SS	*ASSEMBLY S* *ASSEMBLY L QTY 2*	4
156	2351721	SPACER, COMPRESSION SHIM		2
158	2355125	BUMPER, SPIKE LOWER		1
160	2357302	BUSHING, CENTER SUPPORT	*ASSEMBLY T QTY 4* *ASSEMBLY M*	12
162	2352610	PIN, CYLINDER BASE, RAPTOR	*ASSEMBLY M* *ASSEMBLY T*	6
164	2353403	SCREW-1/4-20 FLANGED BTTN HEAD	*ASSEMBLY T QTY 4* *ASSEMBLY M*	12
166	2358411	CYLINDER-HYDRAULIC, SS	*ASSEMBLY T*	1
168	2351720	SPACER, CYLINDER ROD END	*10FT AA*	1
170	2354600	FITTING-HYDRAULIC	*ASSEMBLY T*	2
172	2351400	HOSE, HYDRAL ASM #JO-HOH-W-02-0	*ASSEMBLY V* *ASSEMBLY U*	2

✘ This part is included in an assembly and cannot be ordered individually.

▲ Not shown on Parts Diagram.

PARTS DIAGRAM & PARTS LIST



Item	Part #	Description	Notes	Quantity
176	2352920	GROMMET-THRU HULL	*ASSEMBLY U*	2
174	2376310	TIE WRAP-DH35 11.5"	*ASSEMBLY T*	1
178	2350207	CAP-VINYL, .562" X 1/2" BLACK		1
180	2350208	CAP-VINYL, .562" X 1/2" GREEN		1
182	2355120	BUMPER, SPIKE UPPER		1
184	2352300	SUPPORT, CENTER CYLINDER	*ASSEMBLY M*	4
186	2351926	BRACKET, UPPER KNUCKLE, MACH	*ASSEMBLY S*	1
188	2351930	BRACKET, HOSE ROUTE LOWER	*ASSEMBLY DD* *ASSEMBLY CC* *ASSEMBLY BB* *ASSEMBLY AA*	1
190	2358600	RIVET-POP, 1/8"	*ASSEMBLY DD* *ASSEMBLY CC* *ASSEMBLY BB* *ASSEMBLY AA*	4
192	2352021	SPIKE, 10', .750 OVERMOLDED	*10FT* *ASSEMBLY R*	1
194	2353501	BOLT-1/4-20 X 1.75 HEX SS	*ASSEMBLY S* *ASSEMBLY R*	2
196	2353110	NUT-1/4-20 BRASS NYLON INSERT	*ASSEMBLY S* *ASSEMBLY R*	2
198	2355642	DECAL, MINN KOTA RAPTOR BLK	*WHITE* *AA* *ASSEMBLY BB* *ASSEMBLY AA*	1
	2355640	DECAL, MINN KOTA RAPTOR WHT	*BLACK* *RED* *SILVER* *ASSEMBLY DD* *ASSEMBLY CC*	1
200	2355641	DECAL, RAPTOR SIDE	*ASSEMBLY DD* *ASSEMBLY CC* *ASSEMBLY BB* *ASSEMBLY AA*	2
202	2357700	OIL-HYDRAULIC, QUART, RPTR	*ASSEMBLY T* *ASSEMBLY U* *ASSEMBLY V*	1
204	2350800	UNION, STRGHT, JIC MALE-MALE	*ASSEMBLY V* *NOT INCLUDED FROM THE FACTORY*	2
206	2350205	CAP-VINYL, .406" X 1/2" BLACK	*ASSEMBLY T* *NOT INCLUDED FROM THE FACTORY*	1
208	2350206	CAP-VINYL, .406" X 1/2" GREEN	*ASSEMBLY T* *NOT INCLUDED FROM THE FACTORY*	1

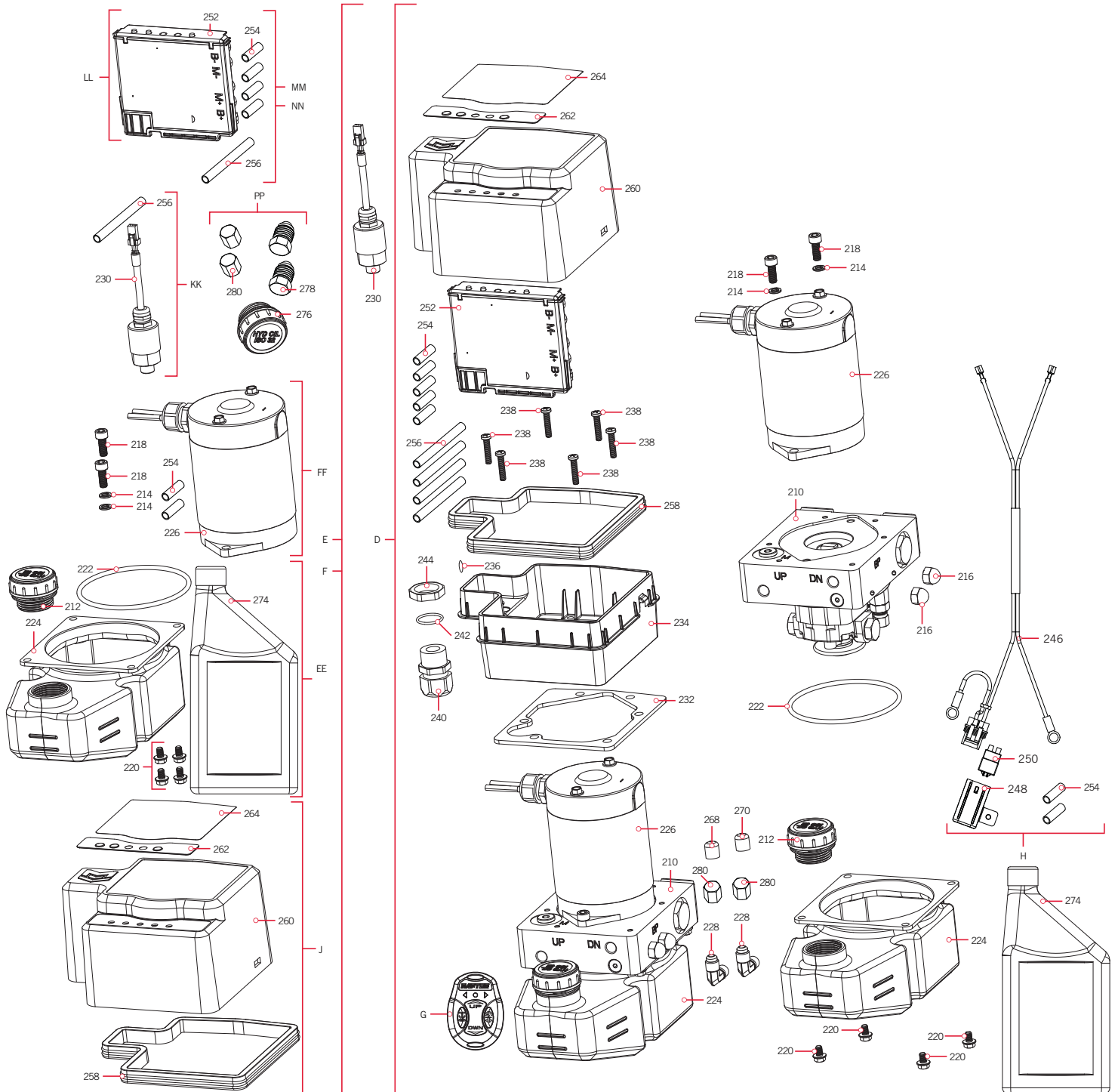
✘ This part is included in an assembly and cannot be ordered individually.

▲ Not shown on Parts Diagram.



RAPTOR HYDRAULIC PUMP

Raptor Hydraulic Pump Parts Diagram



PARTS DIAGRAM & PARTS LIST

› Raptor Hydraulic Pump Parts List

Assembly	Part #	Description	Notes	Quantity
D	2994106	ASSEMBLY, MAIN PUMP 8'	*8FT*	1
E	2994105	ASSEMBLY, MAIN PUMP W/AA 8'	*8FT AA*	1
F	2994107	ASSEMBLY, MAIN PUMP W/AA 10'	*10FT AA*	1
G	2994156	TRANSMITTER ASM, RAPTOR	*ASSEMBLY F* *ASSEMBLY E* *ASSEMBLY D*	1
H	2778500	LEADWIRE KIT, RAPTOR		1
J	2776410	RAPTOR PUMP COVER KIT		1
EE	2776550	RESERVOIR REPLCMNT KIT, RAPTOR		1
FF	2777803	MOTOR ASSEMBLY, RAPTOR		1
KK	2778210	PRESSURE TRANSDUCER ASM, RAPTOR		1
LL	2774046	RAPTOR CTRL BOARD ASM	*8FT*	1
MM	2774043	RAPTOR W/AA CTRL BRD ASM 8'	*8FT AA*	1
NN	2774044	RAPTOR W/AA CTRL BRD ASM 10'	*10FT AA*	1
PP	2776720	CAP AND PLUG KIT, RAPTOR	*NOT INCLUDED FROM THE FACTORY*	1
Item	Part #	Description	Notes	Quantity
210	2354005	PUMP, HYDRAULIC, BILLET MANIFOLD	*ASSEMBLY F* *ASSEMBLY E* *ASSEMBLY D*	1
212	2350200	CAP-FILL, RESERVOIR	*ASSEMBLY F* *ASSEMBLY E* *ASSEMBLY D* *ASSEMBLY EE*	1
214	2351731	WASHER-LOCK, M6 SS	*ASSEMBLY F* *ASSEMBLY E* *ASSEMBLY D* *ASSEMBLY FF*	2
216	2353120	NUT-M8 CAP	*ASSEMBLY F* *ASSEMBLY E* *ASSEMBLY D*	2
218	2353511	BOLT-SHCS M6 X 16 MM SS	*ASSEMBLY F* *ASSEMBLY E* *ASSEMBLY D* *ASSEMBLY FF*	2
220	2353515	BOLT-FLANGED, M5 X 8 MM SS	*ASSEMBLY F* *ASSEMBLY E* *ASSEMBLY D* *ASSEMBLY EE*	4
222	2354622	O-RING, 3.55 MM X 87.5 MM	*ASSEMBLY F* *ASSEMBLY E* *ASSEMBLY D* *ASSEMBLY EE*	1
224	✘	RESERVOIR, PUMP	*ASSEMBLY F* *ASSEMBLY E* *ASSEMBLY D* *ASSEMBLY EE*	1
226	✘	MOTOR, PUMP DRIVE	*ASSEMBLY F* *ASSEMBLY E* *ASSEMBLY D* *ASSEMBLY K* *ASSEMBLY FF*	1
228	2354600	FITTING-HYDRAULIC	*ASSEMBLY F* *ASSEMBLY E* *ASSEMBLY D*	2
230	2358210	TRANSDUCER-PRESSURE, 12VDC, SS	*AA* *ASSEMBLY F* *ASSEMBLY E* *ASSEMBLY KK*	1
232	2356900	GASKET, SHROUD	*ASSEMBLY F* *ASSEMBLY E* *ASSEMBLY D*	1
234	2351935	BASE, SHROUD	*ASSEMBLY F* *ASSEMBLY E* *ASSEMBLY D*	1
236	2355130	VENT PATCH	*ASSEMBLY F* *ASSEMBLY E* *ASSEMBLY D*	1
238	2353410	SCREW-#8-32 X .88 PPH SS	*ASSEMBLY F* *ASSEMBLY E* *ASSEMBLY D*	6
240	2374630	FITTING-NPT 1/2" CD13NA-BK	*ASSEMBLY F* *ASSEMBLY E* *ASSEMBLY D*	1
242	2374631	O-RING, SEALCON #OR-18-BN	*ASSEMBLY F* *ASSEMBLY E* *ASSEMBLY D*	1
244	2353115	NUT-1/2" NPT BLK NYLON LOCKING	*ASSEMBLY F* *ASSEMBLY E* *ASSEMBLY D*	1

✘ This part is included in an assembly and cannot be ordered individually.

▲ Not shown on Parts Diagram.

PARTS DIAGRAM & PARTS LIST

Item	Part #	Description	Notes	Quantity
246	2358500	POWER CORD, RAPTOR	*ASSEMBLY F* *ASSEMBLY E* *ASSEMBLY D* *ASSEMBLY H*	1
248	2370279	CAP-RESETTABLE FUSE HOLDER	*ASSEMBLY F* *ASSEMBLY E* *ASSEMBLY D* *ASSEMBLY H*	1
250	2358200	BREAKER, 30A RESETTABLE	*ASSEMBLY F* *ASSEMBLY E* *ASSEMBLY D* *ASSEMBLY H*	1
252	2354041	PCB ASM, RAPTOR	*ASSEMBLY LL* *ASSEMBLY D*	1
	2354040	PCB ASM, RAPTOR W/AA	*AA* *ASSEMBLY F* *ASSEMBLY E* *ASSEMBLY MM* *ASSEMBLY NN*	1
254	2305404	SHRINK TUBE-.374 ID X 1.0"	*ASSEMBLY MM QTY 4* * ASSEMBLY NN QTY 4* *ASSEMBLY LL QTY 4* *ASSEMBLY FF QTY 2* *ASSEMBLY D* *ASSEMBLY E* *ASSEMBLY F* *ASSEMBLY HH QTY 2*	4
256	2305402	SHRINK TUBE-.374 OD X 2.25"	*ASSEMBLY MM QTY 1* * ASSEMBLY NN QTY 1* *ASSEMBLY KK QTY 1* *ASSEMBLY D* *ASSEMBLY E* *ASSEMBLY F*	1
258	2354610	SEAL, SHROUD	*ASSEMBLY F* *ASSEMBLY E* *ASSEMBLY D* *ASSEMBLY J*	1
260	2356410	COVER, SHROUD	*ASSEMBLY F* *ASSEMBLY E* *ASSEMBLY D* *ASSEMBLY J*	1
262	2356610	DECAL, SHROUD	*ASSEMBLY F* *ASSEMBLY E* *ASSEMBLY D* *ASSEMBLY J*	1
264	2356620	DECAL-TOP, 8'	*8FT* *ASSEMBLY D* *ASSEMBLY J*	1
	2356621	DECAL-TOP, 8' W/AA	*8FT AA* *ASSEMBLY E* *ASSEMBLY J*	1
	2356622	DECAL-TOP, 10' W/AA	*10FT AA**ASSEMBLY F* *ASSEMBLY J*	1
266	2355805 ▲	DECAL-COMPLIANCE, PUMP, RAPTOR	*ASSEMBLY F* *ASSEMBLY E* *ASSEMBLY D*	1
268	2350207	CAP-VINYL, .562" X 1/2" BLACK	*ASSEMBLY F* *ASSEMBLY E* *ASSEMBLY D*	1
270	2350208	CAP-VINYL, .562" X 1/2" GREEN	*ASSEMBLY F* *ASSEMBLY E* *ASSEMBLY D*	1
272	2007729 ▲	LOCTITE 243 HENKEL P/N 1329467	*ASSEMBLY F* *ASSEMBLY E* *ASSEMBLY D*	1
274	2357700	OIL-HYDRAULIC, QUART, RPTR	*ASSEMBLY EE* *ASSEMBLY F* *ASSEMBLY E* *ASSEMBLY D*	1
276	2356720	PLUG, M30 X 2, RESERVOIR	*ASSEMBLY PP*	1
278	2356721	PLUG, JIC 37 DEG, 7/16-20	*ASSEMBLY PP*	2
280	2350215	CAP, JIC 37 DEG, 7/16-20	*ASSEMBLY PP*	4

✘ This part is included in an assembly and cannot be ordered individually.

▲ Not shown on Parts Diagram.

WIRING DIAGRAM

RAPTOR

The following wiring diagram applies to the Raptor. The Pressure Transducer is included in Active Anchoring Models only.

