

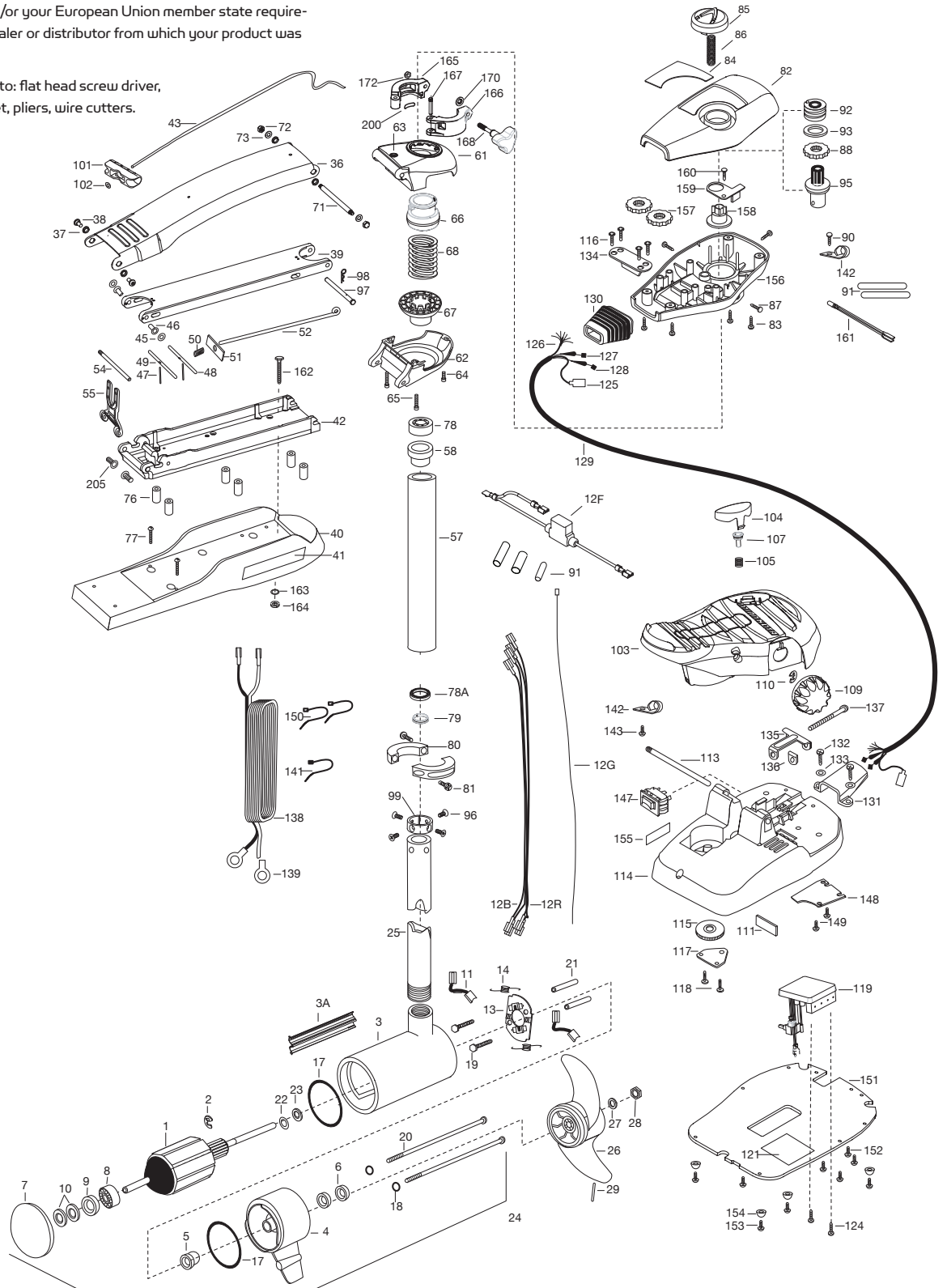
# PARTS DIAGRAM

## MAXXUM 80

### 80 LBS THRUST - 24 VOLT - 42" SHAFT

This page provides Minn Kota® WEEE compliance disassembly instructions. For more information about where you should dispose of your waste equipment for recycling and recovery and/or your European Union member state requirements, please contact your dealer or distributor from which your product was purchased.

Tools required, but not limited to: flat head screw driver, Phillips screw driver, socket set, pliers, wire cutters.



# PARTS LIST

## MAXXUM 80

### 80 LBS THRUST - 24 VOLT - 42" SHAFT

ITEM	QTY	PART NUMBER	DESCRIPTION
1	1	2-100-214	ARMATURE ASSEMBLY 24V
2	1	788-040	RETAINING RING
3	1	2-200-160	HOUSING ASSEMBLY CENTER 4.0
3A	1	582-013	CLIP, RETAINING, US2
4	1	2-300-160	BRUSH END HOUSING ASSEMBLY
5	1	144-017	BEARING- FLANGE (SERVICE ONLY)
6	2	880-025	SEAL
7	1	421-276	PLAIN END HOUSING ASSEMBLY
	1	9421-284	PLAIN END HOUSING ASSEMBLY 4.0 US2
8	1	140-010	BALL BEARING
9	1	990-045	THRUST SPACER
10	2	992-010	SPRING WASHER
11	2	186-094	BRUSH
12B	1	640-013	BRUSH LEAD BLK 10 AWG 51-1/2
12R	1	640-117	BRUSH LEAD RED 10 AWG 53
12G	1	640-315	GROUND WIRE 42" (US MOTORS ONLY)
12F	1	2218200	FUSE HOLDER (US MOTORS ONLY)
13	1	738-004	BRUSH PLATE 4"
14	2	975-041	SPRING- TORSION
17	2	701-043	O-RING
18	2	701-009	O-RING -THRU BOLT
■	1	2889460	SEAL & ORING KIT
19	2	830-027	SCREW -SELF THREAD 10-32X2
20	2	830-094	THRU BOLT 12-24X10.31
21	2	973-025	SPACER- BRUSH PLATE
22	1	990-051	WASHER- STEEL
23	1	990-052	WASHER- NYLATRON
24	1	2316216	MOTOR ASSEMBLY 24V 4" VARS
	1	2326220	MOTOR ASSEMBLY 24V 4" VARS- SONAR
25	1	2032003	TUBE COMP W/4 HOLE 42"
■	1	1378132	PROPELLER KIT
26	1	2331160	PROPELLER W/WEDGE 2
27	1	2091701	WASHER-PROP LARGE
28	1	2093101	NUT-PROP NYLOCK SS
29	1	2262658	PIN-DRIVE SS
■	1	2991840	MOUNT,BOW ASSY, FW STD, W/O BGRD
36	1	2264241	ARM UPPER-FW STD
37	4	2293501	BUSHING, STAINLESS STEEL
38	2	2263500	BOLT, SHOULDER MAXXUM
39	1	2774315	ARM-LOWER ASSEMBLY,STD,FW,EXT
40	1	2263912	MOTOR REST STD MAXXUM

ITEM	QTY	PART NUMBER	DESCRIPTION
41	2	2265514	DECAL-MAXXUM,MOTOR REST
42	1	2773987	BOWPLATE- FW STD MACH/INSERT
43	1	2251601	ROPE 40" MAXXUM MOUNT
45	2	2261708	WASHER-3/8X1/2X.016
46	2	2267318	BEARING NYLINER
47	2	2152610	SPRING-PIN LOCKBAR
48	1	2233600	LOCK BAR- BOW MOUNT
49	1	2233602	LOCK BAR- REAR ZINC
50	1	2152700	SPRING-LOCKBAR CAD.PLT
51	1	2262703	SPRING STOP
52	1	2153602	EYE SHAFT-2LOCKBAR STD-PLTD
54	1	2260506	HINGE-PIN HEADLESS ZINC
55	1	2293811	YOKE,MAX MNT-POLYPROPYLENE
■	1	2772085	TUBE W/BEARING RACE ASSEMBLY 42"
57	1	2272085	TUBE -OUTER 21" 4 HOLES
58	1	2266260	BEARING RACE-(565T)
■	1	2991762	BOWGUARD ASSEMBLY-FT CTRL,MAX
61	1	2772319	BRACKET BASE TOP/EYELETASSEMBLY
62	1	2991771	BRKT BOTTOM/BEARING FW ASSEMBLY
63	1	2262315	EYELET KIT -ROPE
64	1	2263423	SCREW 5/16-18 X 1" SHCS ZINC
65	2	2263425	SCREW 5/15-18 X 2-1/2" SHCS
66	1	2071541	SPRING-SLEEVE UPPER
67	1	2071535	SPRING SLEEVE, LOWER
68	1	2262712	SPRING, BOWGUARD, NIK PL
71	1	2262605	PIN- THREADED
72	2	2223100	NUT- NYLOC
73	2	9908236	WASHER
■	1	2994832	BAG ASSEMBLY
*76	6	2261505	SPACER, MOTOR REST
*77	2	2263434	SCREW, 8-18 X 1 PPH SS
78	1	2266000	BEARING, BALL-STEEL
78A	1	2266116	BEARING, CARTRIDGE
79	1	2266001	BEARING, SPLIT RING
80	1	2771617	COLLAR HALF-ZINC-2 PER- KIT
81	2	2263452	SCREW-1/4-20 X 3/4 SHCS SS
82	1	2280201	CONTROL BOX COVER
83	4	2372100	SCREW-8-18 X 5/8 THD
84	1	2275605	DECAL COVER, MAXXUM 80
85	1	2990140	DIRECTIONAL INDICATOR
86	1	2282730	SPRING-INDICATOR

# PARTS LIST

## MAXXUM 80

### 80 LBS THRUST - 24 VOLT - 42" SHAFT

ITEM	QTY	PART NUMBER	DESCRIPTION
87	3	2053414	SCREW-#8-32 X 1/2 TRI-LOBE
88	1	2267800	GEAR-INDICATOR
90	1	2372100	SCREW-8-18 X 5/8 SS
91	3	2355410	SHRINK TUBE-3/8 OD X 2
92	1	2232360	PULLEY-CABLE DRUM
93	1	2261730	WASHER-NYLON
95	1	2996247	PINION/RACE ASSEMBLY
96	4	2223468	SCREW-8-32 X 7/16 ZN PL
97	1	2262607	PIN- CLEVIS ZN
98	1	2260805	SPRING CLIP ZN
99	1	2071560	COLLAR, TUBE
101	1	2150400	PULL-GRIP
102	1	2151700	WASHER-EYE SHAFT .562 OD
103	1	2994496	FOOT PEDAL/PLUG ASSEMBLY
104	1	2993705	PUSH-BUTTON MAGNET ASSEMBLY
105	1	2302732	SPRING-LOWER PEDAL SS
107	1	2260810	CLIP, REED SWITCH
109	1	2280115	KNOB-SPEED CONTROL VAR
110	1	2263000	E-RING TRU-ARC#5133-43
*111	1	2266413	PLATE -TENSION SCREW FTPED.
113	1	2260511	PIN-PIVOT A/T PT PDL
114	1	2774550	FT PEDAL BASE/PIN ASSEMBLY
115	1	2262301	PULLEY- FOOT PEDAL
116	4	2223430	SCREW- 8X3/4 PPH TYPE 25 SS
117	1	2266400	COVER-PULLEY STAMPING
118	2	2301310	SCREW-8-18 X 1/2 SS
119	1	2264056	CONTROL BOARD ASSY 24-36V MAX
121	1	2365107	INSULATING PAD 2.3 X 3.2
124	2	2223455	SCREW, 10-32 X 1/2
125	1	2211410	EXTENSION CABLE US2
126	1	2261220	WIRE HARNESS AT & MAX 82.5
127	1	2267505	CABLE ASSEMBLY-RIGHT 5'
128	1	2267515	CABLE ASSEMBLY-LEFT 5'
129	1	2265430	CABLE JACKET 5'
130	1	2265110	BOOT-CONTROL BOX
131	1	2265115	BOOT-FOOT PEDAL BASE
132	2	2372100	SCREW-8-18 X 5/8 THD SS
133	2	2261714	WASHER-MAXXUM PT PDL
134	1	2261901	BRACKET-CONDUIT AT/MAX
135	1	2263210	BRACKET-CONDUIT ADJUSTMENT
136	1	2263401	NYLOCK KEEPER

ITEM	QTY	PART NUMBER	DESCRIPTION
137	1	2263463	SCREW-1/4-20 X 2 STL PPH
138	1	2261233	LEADWIRE VARIABLE
139	2	2020700	TERMINAL RING, 3/8
141	1	2256300	TIE WRAP-5.5 BLACK
142	2	2263201	CLAMP WIRE HARNESS MICRO
143	1	2332103	SCREW-6-20 X 3/8 THD SS
147	1	2254031	SWITCH-MOM/OFF/COM
148	1	2266412	SWITCH PLATE, PT PEDAL
149	2	2332103	SCREW-6-20 X 3/8 THD SS
150	2	2256301	TIE WRAP-5.5 WHITE
151	1	2264511	BOTTOM PLATE, MAXXUM PT
152	5	9953104	SCREW-8 X 1/2 PPH SS
153	4	2263455	SCREW #12
154	4	2265126	BUMPER
155	1	2266610	DECAL-ON/OFF SWITCH
156	1	2282500	CONTROL BOX
157	2	2267800	GEAR-INDICATOR
158	1	2262221	INDICATOR-DRIVE
159	1	2261905	BRACKET/INDICATOR
160	1	2301310	SCREW-8-18 X 1/2 SS
161	1	2264015	LIGHT/INDICATOR
■	1	2994830	BAG ASSEMBLY-MAXXUM
*162	6	2263431	SCREW 1/4-20 X 3.5 PPH
*163	6	2261713	WASHER-1/4 FLAT S/S
*164	6	2263103	NUT-1/4-20 NYLOCK-JAM
■	1	2991550	CLAMP COLLAR ASSEMBLY
165	1	2071550	CLAMP COLLAR "A"
166	1	2071555	CLAMP COLLAR "B"
167	1	2072621	PIN-KNURLED
168	1	2281505	KNOB-CLAMP COLLAR
170	1	2071718	WASHER #10 NYLON RETAINING
172	1	2073102	NUT - HEX 1/4 - 28 SS
200	1	2075120	URETHANE PAD
205	1	2261540	INSERT - THREADED
210	2	2335400	SHRINK TUBE-1/2" OD X 2"
215	1	2375400	SHRINK TUBE-1/4" OD X 1 3/4"

■ THIS ITEM IS PART OF AN ASSEMBLY.

\*THIS ITEM IS PART OF A KIT AND ONLY LISTED FOR VIEWING PURPOSES.