

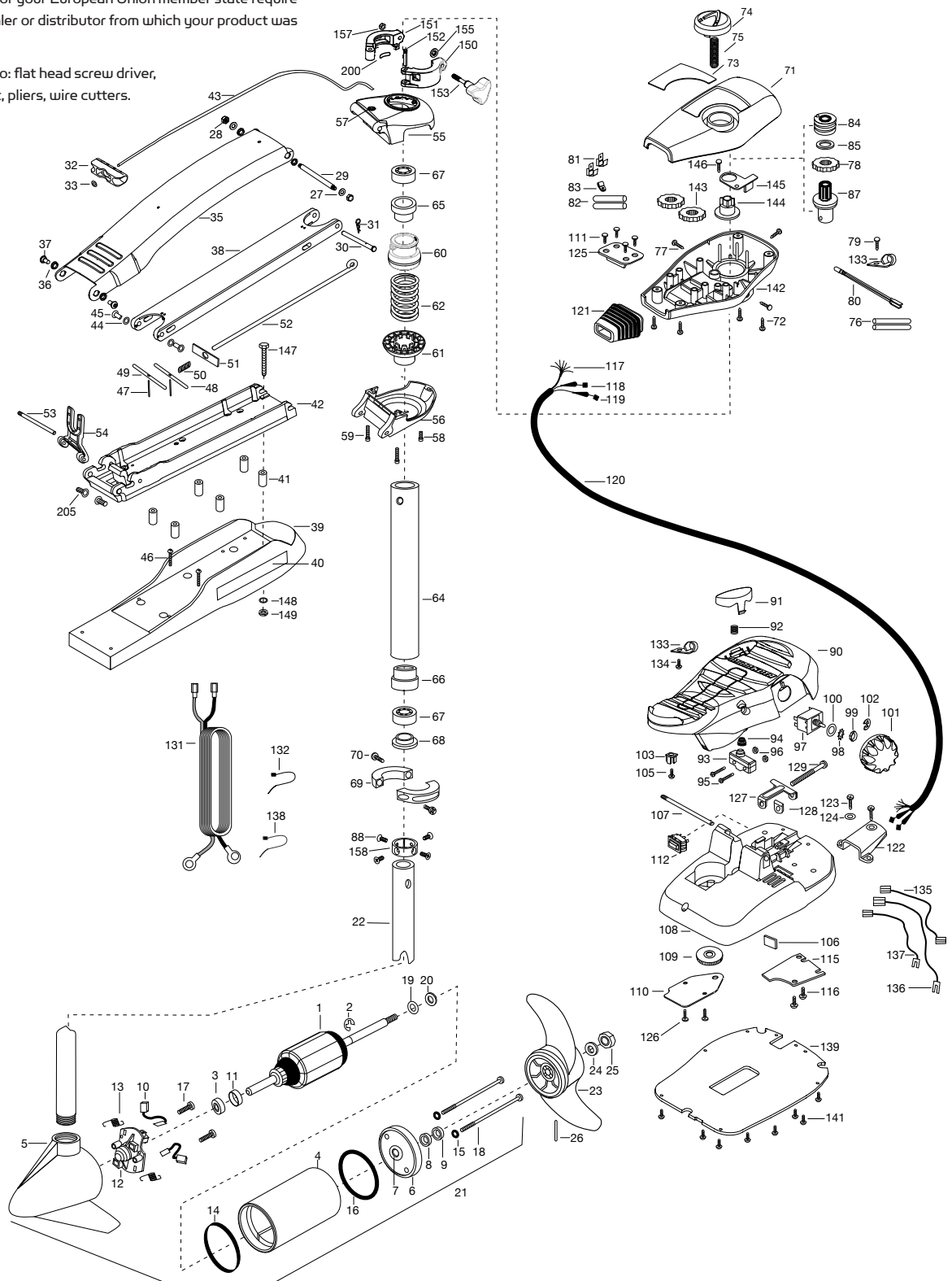
PARTS DIAGRAM

MAXXUM 70

70 LBS THRUST - 24 VOLT - 42"/52" SHAFT

This page provides Minn Kota® WEEE compliance disassembly instructions. For more information about where you should dispose of your waste equipment for recycling and recovery and/or your European Union member state requirements, please contact your dealer or distributor from which your product was purchased.

Tools required, but not limited to: flat head screw driver, Phillips screw driver, socket set, pliers, wire cutters.



PARTS LIST

MAXXUM 70

70 LBS THRUST - 24 VOLT - 42"/52" SHAFT

ITEM	QTY	PART NUMBER	DESCRIPTION
1	1	2-100-119	ARMATURE ASSEMBLY 24V 3.625 5SPC 65#
2	1	788-015	RETAINING RING
3	1	140-010	BALL BEARING
4	1	431-005	CENTER HOUSING ASSEMBLY 42"
5	1	2-300-039	BRUSH END HOUSING ASSEMBLY 3.62 SPCO
6	1	2-400-101	PLAIN END HOUSING ASSEMBLY
7	1	144-049	BEARING - FLANGE (SERVICE ONLY)
8	1	880-003	SEAL
9	1	880-006	SEAL WITH SHIELD
10	1	188-037	BRUSH ASSEMBLY
11	1	725-050	BRUSH RETENTION- PAPER TUBE
12	1	738-036	BRUSH PLATE W/HOLDER
13	2	975-040	SPRING - TORSION
14	1	337-036	GASKET
15	2	701-008	O-RING, THRU-BOLT
16	1	701-081	O-RING
■	1	2888460	SEAL & ORING KIT
17	2	830-007	SCREW-8-32
18	2	830-008	THRU-BOLT 10-32X8.83"
19	1	990-067	WASHER- STEEL THRUST
20	2	990-070	WASHER - NYLATRON
21	1	2096035	MOTOR ASSEMBLY 24V 3.625 5SPC FW 52"
22	1	2032003	TUBE (COMP) 4 HOLE-42"
■	1	1378131	PROP KIT
23	1	2091160	PROPELLER (WWEDGE 2)
24	1	2151726	WASHER-5/16 STD SS
25	1	2053101	NUT-PROP,NYLOC (MED) 5/16 SS
26	1	2092600	PIN-DRIVE (95-4HP'S) SS
27	4	9008236	WASHER 1/4 FLAT ZINC
28	2	2223100	NUT- TENSION 5/16-18 SS
29	1	2262605	PIN- BWGRD UPPER THREADED
30	1	2262607	CLEVIS PIN ZP MAXXUM BWGRD
31	1	2260805	SPRING CLIP
32	1	2150400	PULL-GRIP
33	1	2151700	WASHER-EYE SHAFT(.562 OD)
■	1	2991840	MOUNT- BOW ASSEMBLY, W/O BGRD FW STD
35	1	2264241	ARM-UPPER FW, STD
36	4	2293501	BUSHING, STAINLESS STEEL
37	2	2263500	BOLT- SHOULDER (MAXXUM)
38	1	2994307	ARM-LOWER ASSEMBLY,STD,FW,EXT 42"
39	1	2263912	MOTOR REST STD MAXXUM
40	2	2265514	DECAL-MAXXUM,MOTOR REST
41	6	2261505	SPACER, MOTOR REST
42	1	2773987	BOWPLATE/INST ASSEMBLY STD FW

ITEM	QTY	PART NUMBER	DESCRIPTION
43	1	2251601	ROPE (40"), MAXXUM MOUNT
44	2	2261708	WASHER-3/8X1/2X.010" SS
45	2	2267318	BEARING NYLINER-
46	2	2263434	SCREW, 8-18 X 1" PPH SS
47	2	2152610	SPRING-PIN LOCKBAR
48	1	2233600	LOCK BAR- BOW MOUNT
49	1	2233602	LOCK BAR, REAR - ZINC
50	1	2152700	SPRING-LOCKBAR CAD.PLTD
51	1	2262703	SPRING STOP
52	1	2153602	EYE SHAFT-2LOCKBAR STD-PL
53	1	2260506	HINGE-PIN HEADLESS ZINC
54	1	2293811	YOKE,MAX MNT-POLYPROPYLENE
■	1	2991762	BOWGUARD ASSEMBLY- FT CTRL FW
55	1	2772319	BRACKET BASE TOP/EYELET ASSEMBLY
56	1	2991771	BRKT BTM/BEARING FW ASSEMBLY
57	1	2772352	EYELET KIT
58	1	2263423	SCREW 5/16-18 X 1" SHCS ZINC
59	2	2263425	SCREW 5/16-18 X 2 1/2" SHCS
60	1	2071541	SPRING-SLEEVE UPPER
61	1	2071535	SPRING SLEEVE, LOWER
62	1	2262706	SPRING, BOWGUARD, NIK PL
■	1	2772012	TUBE W/BEARING RACE ASSEMBLY 42"
■	1	2772016	TUBE W/BEARING RACE ASSEMBLY 52"
64	1	2272069	TUBE OUTER-21" 4 HOLES
	1	2272067	TUBE OUTER-24" 4 HOLES
65	1	2266260	BEARING RACE
66	1	2266220	BEARING RACE-STEEL
67	2	2266000	BEARING BALL-STEEL
68	1	2266115	BEARING CONE
69	1	2771617	COLLAR HALF-ZINC- 2 PER KIT
70	2	2263452	SCREW-1/4-20 X 3/4" SHCS
71	1	2280201	CONTROL BOX COVER
72	4	2372100	SCREW-8-18 X 5/8" THD SS
73	1	2275603	DECAL-COVER
74	1	2990140	DIRECTIONAL INDICATOR
75	1	2282730	SPRING, INDICATOR
76	2	2375400	SHRINK TUBE-1/4OD X 1-3/4"
77	3	2053414	SCREW-#8-32 X 1/2" TRI-LOBE
78	1	2267800	GEAR-INDICATOR
79	1	2372100	SCREW-8-18 X 5/8" SS
80	1	2264019	LIGHT/INDICATOR
81	2	2020713	TERMINAL-ADAPTOR, MAX
82	2	2335400	SHRINK TUBE-1/2 OD X 2"
83	1	2052511	CABLE CLAMP, 1/4" VANTAGE

PARTS LIST

MAXXUM 70

70 LBS THRUST - 24 VOLT - 42"/52" SHAFT

ITEM	QTY	PART NUMBER	DESCRIPTION
84	1	2232360	PULLEY-CABLE DRUM
85	1	2261730	WASHER-NYLON A/T CON B
87	1	2996247	TOP BEARING RACE/ PINION DR
88	4	2223468	SCREW-8-32 X 7/16" ZN PL
90	1	2994496	FOOT PEDAL/PLUG ASSEMBLY (AT)
91	1	2283700	PUSH-BUTTON FOOT PEDAL
92	1	2302732	SPRING-LOWER PEDAL SS
93	1	2264020	SWITCH MOMENTARY
94	1	2265140	BOOT-MICROSWITCH
95	2	2262114	SCREW-MOUNTING/SWITCH
96	2	2233100	NUT-SWITCH MOUNT
97	1	2264026	SWITCH-5 SPEED (ALL TERRAIN)
98	1	2261701	LOCKWASHER-STAR
99	1	2263105	NUT-HEX
100	1	2261715	SPACER-SWITCH 5 SP MODELS
101	1	2280110	KNOB-SPEED CONTROL (5 SPD)
102	1	2263000	E-RING TRU-ARC#5133-43
103	1	2260730	CONNECTOR 1/4 MALE TAB OD
105	1	2332103	SCREW-6-20 X 3/8" THD SS
106	1	2266413	TENSION SCREW PLATE FT PED
107	1	2260511	PIN-PIVOT A/T FT PDL
108	1	2774550	FT PED BASE/PIN ASSEMBLY
109	1	2262301	PULLEY- FOOT PEDAL
110	1	2266401	COVER-PULLEY STAMPING
111	4	2223430	SCREW- #8 X3/4 SS PPH TYPE 25
112	1	2254031	SWITCH-MOM/OFF/CON
115	1	2266412	SWITCH PLATE, FT PEDAL
116	2	2332103	SCREW-6-20 X 3/8 THD SS
117	1	2261208	WIRE HARNESS, A/T FT. PHD
118	1	2267505	CABLE ASSY-RIGHT (5')
119	1	2267515	CABLE ASSY-LEFT (5')
120	1	2265430	CABLE JACKET (5')
121	1	2265110	BOOT-CONTROL BOX
122	1	2265115	BOOT-FOOT PEDAL BASE
123	2	2372100	SCREW-8-18 X 5/8 THD SS
124	2	2261714	WASHER-MAXXUM FT PDL
125	1	2261901	BRACKET-CONDUIT
126	2	2301310	SCREW-8-18 X 1/2 SS
127	1	2263210	BRACKET-CONDUIT ADJUSTMENT
128	1	2263104	NYLOCK KEEPER
129	1	2263463	SCREW-1/4-20 X 2" STL PPH
131	1	2261225	LEADWIRE 24V 10GA RING
132	1	2256300	TIE WRAP-5.5" BLACK
133	2	2263201	CLAMP WIRE HARNESS MICRO

ITEM	QTY	PART NUMBER	DESCRIPTION
134	1	2332103	SCREW-6-20 X 3/8 THDT SS
135	1	2260301	CONNECTING WIRE (SWITCH)
136	1	2260312	WIRE,BLK W/WHT STRP 19 1/2
137	1	2260322	WIRE,BLK W/BLUE STRP-12"
138	1	2256301	TIE WRAP-5.5" WHITE
139	1	2266414	BOTTOM PLATE MAX FOOT PED
141	8	9953104	SCREW-8 X 1/2" SS
142	1	2282500	CONTROL BOX
143	2	2267800	GEAR-INDICATOR
144	1	2262221	INDICATOR-DRIVE
145	1	2261905	BRACKET/INDICATOR
146	1	2301310	SCREW-8-18 X 1/2" SS
■	1	2994830	BAG ASSEMBLY-MAXXUM
*147	6	2263431	SCREW 1/4-20 X 3.5" PPH
*148	6	2261713	WASHER-1/4 FLAT SS
*149	6	2263103	NUT-1/4-20 NYLOCK-JAM SS
■	1	2991550	CLAMP COLLAR ASSEMBLY
150	1	2071550	CLAMP COLLAR "A"
151	1	2071555	CLAMP COLLAR "B"
152	1	2072621	PIN-KNURLED
153	1	2281505	KNOB-CLAMP COLLAR
155	1	2071718	WASHER #10 NYLON RETAINING
157	1	2073102	NUT - HEX 1/4 - 28 SS
158	1	2071560	SPLIT COLLAR
200	1	2075120	URETHANE PAD
205	2	2261540	INSERT-THREADED BOWPLATE

■ THIS ITEM IS PART OF AN ASSEMBLY.

*THIS ITEM IS PART OF A KIT AND ONLY LISTED FOR VIEWING PURPOSES.