

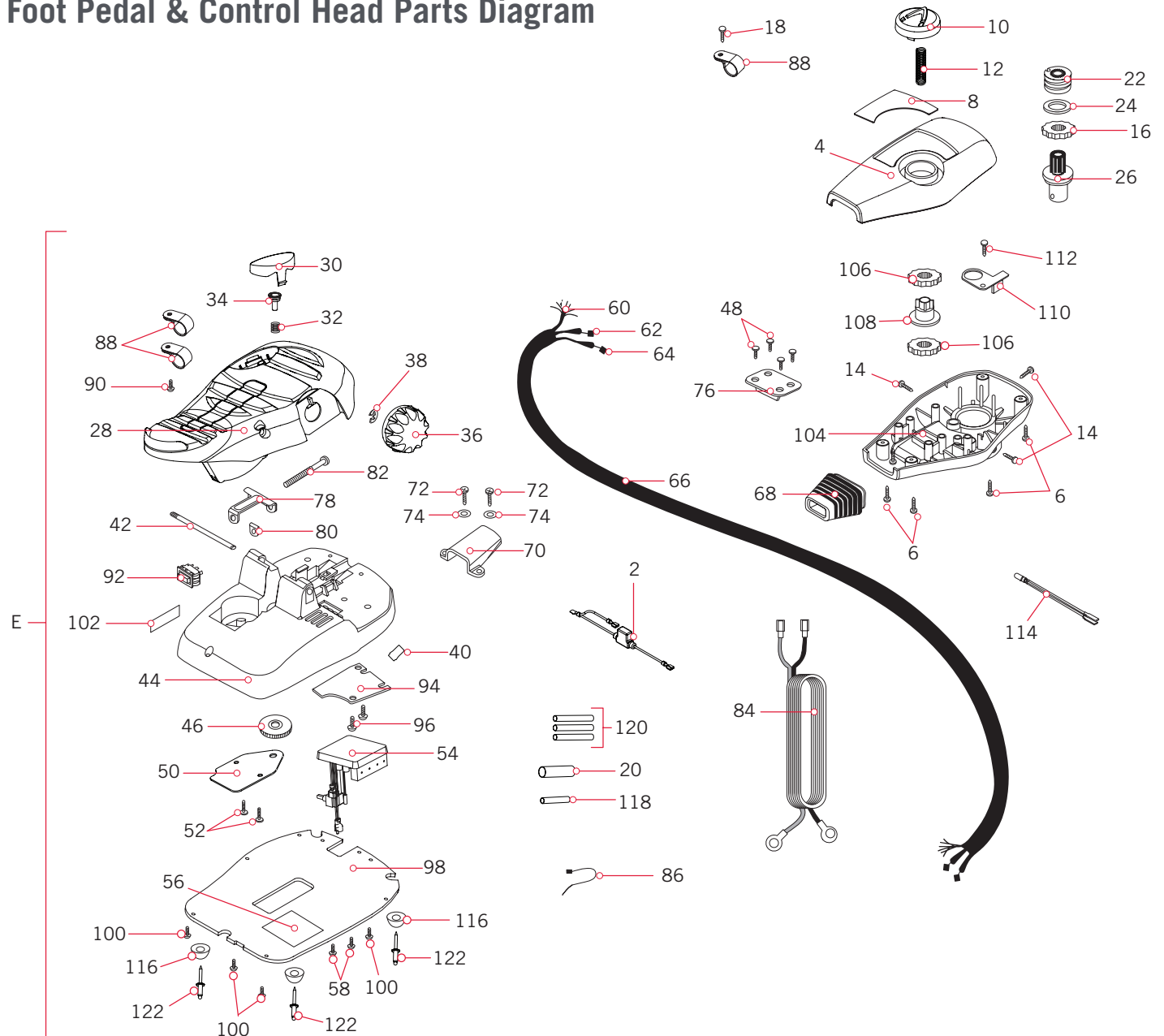
PARTS DIAGRAM & PARTS LIST

MAXXUM 70 - 70 LBS THRUST - 24 VOLT - 42" SHAFT

The parts diagram and parts list provides Minn Kota® WEEE compliance disassembly instructions. For more information about where you should dispose of your waste equipment for recycling and recovery and/or your European Union member state requirements, please contact your dealer or distributor from which your product was purchased. Tools required, but not limited to: flat head screwdriver, Phillips screwdriver, socket set, pliers, wire cutters.

MAXXUM 70 FOOT PEDAL & CONTROL HEAD >

> Foot Pedal & Control Head Parts Diagram



PARTS DIAGRAM & PARTS LIST

► Foot Pedal & Control Head Parts List

Assembly	Part #	Description	Notes	Quantity
E	2992123	FT PED ASM, MAX 24/36V		1
Item	Part #	Description	Notes	Quantity
2	2218200	FUSE HOLDER ASSEMBLY		1
4	2280202	CONTROL BOX COVER, FTX,MAX/FC		1
6	2372100	SCREW-#8-18 X 5/8 THD* (SS)	NOT PART OF ASSEMBLY E	4
8	2265717	DECAL-COVER, MAX70/FC		1
10	2990140	INDICATOR ASSY		1
12	2282730	SPRING-INDICATOR		1
14	2053414	SCREW-#8-32 X 1/2 TRI-LOBE PPH	NOT PART OF ASSEMBLY E	3
16	2267800	GEAR-INDICATOR		1
18	2372100	SCREW-#8-18 X 5/8 THD* (SS)		1
20	2335400	SHRINK TUBE-1/2 OD X 2"		1
22	2232360	PULLEY-CABLE DRUM		1
24	2261730	WASHER-NYLON A/T CON B		1
26	2996247	TOP BEARING RACE/PINION DRIVE		1
28	2994497	FOOT PEDAL w/PLUG		1
30	2993705	PUSH BTTN/MAGNET ASSY		1
32	2302732	SPRING-LOWER PEDAL S/S		1
34	2260810	CLIP, REED SENSOR		1
36	2280115	KNOB-SPEED CTRL, VARS SPD		1
38	2263000	E-RING TRU-ARC#5133-43		1
40	2266413	TENSION SCREW PLATE FTPEDAL		1
42	2260511	PIN-PIVOT A/T FT PDL		1
44	2994556	ASSEMBLY, FT PEDAL BASE/PIN		1
46	2262301	PULLEY (FOOT PEDAL)		1
48	2223430	SCREW-#8x3/4 PPH,TYPE 25,SS		4
50	2266401	COVER-PULLEY (STAMPING)		1
52	2301310	SCREW-#8-18 X 1/2 (SS)*		2
54	2264056	CTRL BRD ASY-MX/FC 24/36V		1
56	2365107	INSULATING PAD(2.3 X 3.2)		1
58	2223455	SCREW-#10-32 X 1/2" ZP MACHINE		2
60	2261220	WIRE HARNESS, MAXXUM FT.PEDAL		1
62	2267505	CABLE ASSY-RIGHT (5')		1
64	2267515	CABLE ASSY-LEFT (5')		1
66	2265430	CABLE JACKET (5') AT MODEL		1
68	2265110	BOOT-CONTROL BOX		1

▲ Not shown on Parts Diagram.

* This part is included in an assembly and cannot be ordered individually.

PARTS DIAGRAM & PARTS LIST



Item	Part #	Description	Notes	Quantity
70	2265115	BOOT-FOOT PEDAL BASE		1
72	2372100	SCREW-#8-18 X 5/8 THD* (SS)		2
74	2261714	WASHER-MAXXUM FT PDL 18/8 SS		2
76	2261901	BRACKET-CONDUIT AT/MAX		1
78	2263210	BRACKET-CONDUIT ADJUSTMEN		1
80	2263140	KEEPER-NYLOCK		1
82	2263466	SCREW-1/4-20 X 2" PPH SS/REI		1
84	2261238	LEADWIRE,MAX F.PED,61",SM TERM		1
86	2256300	TIE WRAP-5.5" BLACK		1
88	2263201	CLAMP WIRE HARNESS MICRO		3
90	2332103	SCREW-#6-20 X 3/8 THD*(SS)		1
92	2254031	SWITCH-MOM/OFF/COM		1
94	2266412	SWITCH PLATE, FT PEDAL		1
96	2332103	SCREW-#6-20 X 3/8 THD*(SS)		2
98	2264511	BOTTOM PLATE,MX101 FT PED		1
100	2372100	SCREW-#8-18 X 5/8 THD* (SS)		5
102	2266610	DECAL-ON/OFF SWITCH		1
104	2282500	CONTROL BOX , PLASTIC		1
106	2267800	GEAR-INDICATOR		2
108	2262221	INDICATOR-DRIVE (YELLOW)		1
110	2261905	BRACKET/INDICATOR		1
112	2301310	SCREW-#8-18 X 1/2 (SS)*		1
114	2264015	LIGHT/INDICATOR		1
116	2265126	BUMPER PAD, FOOT PEDAL		4
118	2375400	SHRINK TUBE-1/4OD X 1-3/4		1
120	2355410	SHRINK TUBE-3/8 DIA. ID X 2"		3
122	2378600	RIVET-POP,3/16 X 3/4 ALUM.SHNK		4
▲	2267153	MANUAL-MAXXUM / FC		1
▲	2274983	PARTS LIST MAX70/FC-42"		1
▲	2015800	HANG TAG "CAUTION..TILT HINGE"		1
▲	2006809	PRODUCT LABELS,"CAUTION HEAVY"		1

▲ Not shown on Parts Diagram.

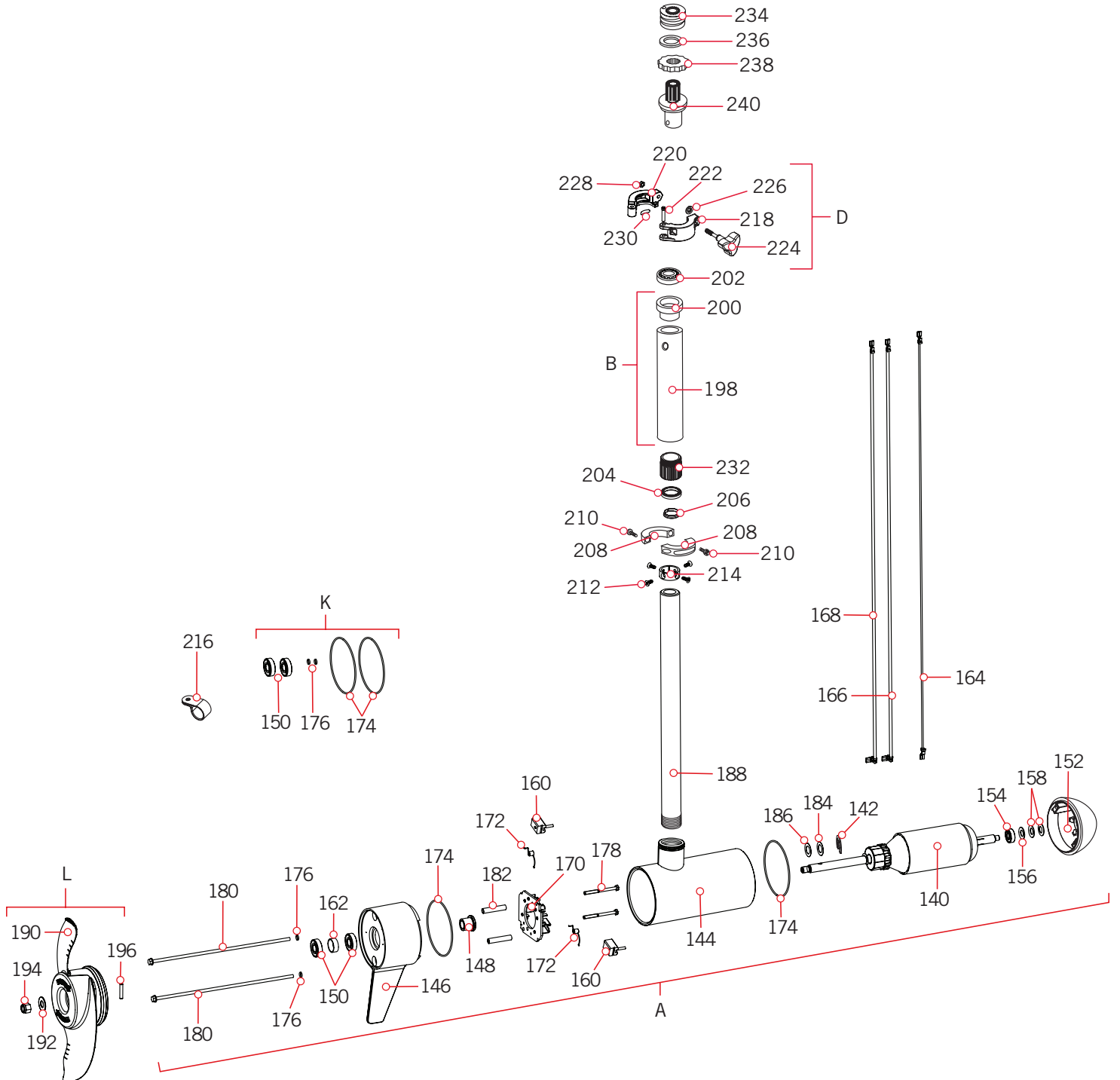
* This part is included in an assembly and cannot be ordered individually.



PARTS DIAGRAM & PARTS LIST

MAXXUM 70 MOTOR

Motor Parts Diagram



PARTS DIAGRAM & PARTS LIST

Motor Parts List

Assembly	Part #	Description	Quantity
A	2316223	MTR ASY 24V 4.0 65# BS	1
B	2772086	TUBE W/BEARING RACE 24"	1
D	2991550	CLAMP COLLAR ASSY, MAXXUM	1
K	2889460	SEAL & O-RING KIT	1
L	1378132	PROP IND 2331160 WDLS WDG II	1
Item	Part #	Description	Quantity
140	2-100-271	ARM ASSY 24V 4" 65# BS	1
142	788-040	RETAINING RING	1
144	2-200-160	CTR HSG ASY 4.0 TXT-MAGNT	1
146	2-300-160	BRUSH END HSG ASY 4.0 FW TXT	1
148	144-017	BEARING - FLANGE	1
150	880-025	SEAL	2
152	421-276	HSG PLN END 4" PAINTED FW BS	1
154	140-010	BEARING - BALL	1
156	990-045	SPACER - THRUST	1
158	992-010	WASHER - BELLEVILLE	2
160	188-094	BRUSH W/TERMINAL	2
162	725-095	PAPER TUBE - SEAL BORE	1
164	640-015	LEADWIRE BLK 10 AWG 55 XLP	1
166	640-119	LEADWIRE RED 10AWG 56 1/2 XLP	1
168	640-315	LEADWIRE BROWN 18 AWG 62" GPT	1
170	738-004	BRUSH PLATE-4" terminal	1
172	975-041	SPRING - TORSION	2
174	701-043	O-RING	2
176	701-009	O-RING *THRU BOLT*	2
178	830-027	SCREW - SELF-THREAD 10-32X2.25	2
180	830-094	THRU BOLT 12-24 X10.31	2
182	973-025	SPACER - BRUSHPLATE	2
184	990-051	WASHER - STEEL THRUST	1
186	990-052	WASHER - NYLATRON	1
188	2032003	TUBE COMP 42" (44.625")	1
190	2331160	PROP-WW2 (4") w/ADP.RING	1
192	2091701	WASHER-PROP LARGE	1
194	2093101	NUT-PROP,NYLOC,LG,MX101 3/8 SS	1
196	2262658	PIN-DRIVE 1" X 3/16" S/S	1
▲	2260730	CONNECTOR 1/4 MALE TAB QD	2

▲ Not shown on Parts Diagram.

* This part is included in an assembly and cannot be ordered individually.

PARTS DIAGRAM & PARTS LIST



Item	Part #	Description	Quantity
▲	✖	RIVET-.25"	6
198	2272085	TUBE OUTER-21" W/HOLES	1
200	2266260	BEARING RACE	1
202	2266000	BEARING BALL-STEEL	1
204	2266116	BEARING CARTRIDGE -CHROME	1
206	2266001	BEARING, SPLIT-RING	1
208	2261622	COLLAR HALF,ALUM (2 PER)	2
210	2263453	SCREW-1/4-20 X 1" SHCS S/S	2
212	2263457	SCREW-#8-32 X 3/8 PFH MACH	4
214	2071560	COLLAR-TUBE (4 HOLES)	1
216	230-037	CABLE CLAMP	1
218	2071550	COLLAR-CLAMP "A" SIDE	1
220	2071555	COLLAR-CLAMP "B" SIDE	1
222	2072621	PIN, KNURLED	1
224	2281505	KNOB-SOFT GRIP, FW	1
226	2071718	WASHER #10 NYLON RETAINING	1
228	2073102	NUT-HEX 1/4-28 SS	1
230	2075120	PAD,URETHANE,DEPTH COLLAR	1
232	2267307	BUSHING-OUTER TUBE	1
234	2232360	PULLEY-CABLE DRUM	1
236	2261730	WASHER-NYLON A/T CON B	1
238	2267800	GEAR-INDICATOR	1
240	2996247	TOP BEARING RACE/PINION DRIVE	1

▲ Not shown on Parts Diagram.

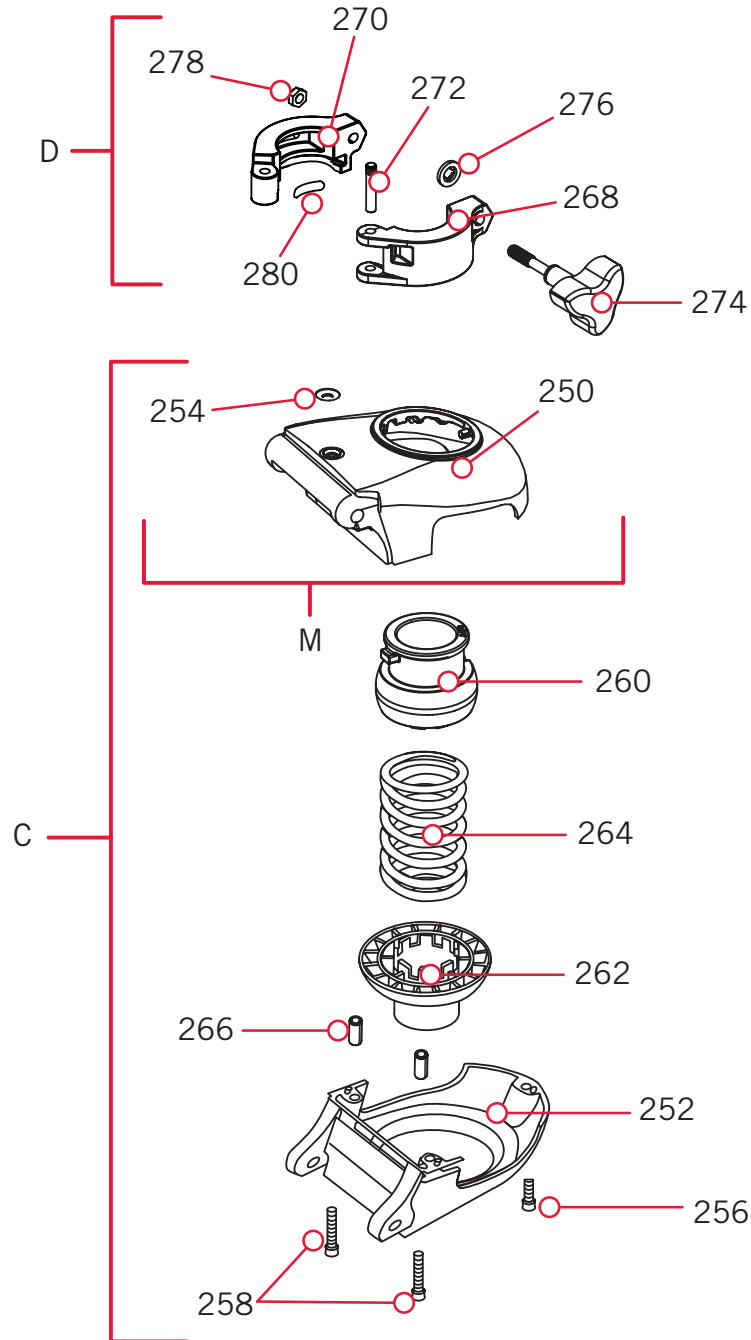
✖ This part is included in an assembly and cannot be ordered individually.



PARTS DIAGRAM & PARTS LIST

MAXXUM 70 BOWGUARD

Bowguard Parts Diagram



PARTS DIAGRAM & PARTS LIST



► Bowguard Parts List

Assembly	Part #	Description	Quantity
C	2991762	BOWGUARD ASY-FW,FC; HC W/3X	1
D	2991550	CLAMP COLLAR ASSY, MAXXUM	1
M	2772319	BRACKET BASE-TOP/EYELET FW	1
Item	Part #	Description	Quantity
250	2261943	BRACKET BASE TOP FW	1
252	2991776	BRACKET BTM/BEARING FW ASY	1
254	2262315	EYELET-ROPE,STAINLESS STEEL	1
256	2263423	SCREW-5/16-18 X 1" SHCS ZP	1
258	2263425	SCREW-5/16-18 X 2.5" SHCS ZP	2
260	2071541	SPRING-SLEEVE UPPER, MR C MAT'L	1
262	2071535	SPRING SLEEVE, LOWER	1
264	2262712	SPRING, BOWGUARD, FC PAINTED	1
266	2262632	PIN-SPRING 1/4" X 5/8" SS	2
268	2071550	COLLAR-CLAMP "A" SIDE	1
270	2071555	COLLAR-CLAMP "B" SIDE	1
272	2072621	PIN, KNURLED	1
274	2281505	KNOB-SOFT GRIP, FW	1
276	2071718	WASHER #10 NYLON RETAINING	1
278	2073102	NUT-HEX 1/4-28 SS	1
280	2075120	PAD,URETHANE,DEPTH COLLAR	1

▲ Not shown on Parts Diagram.

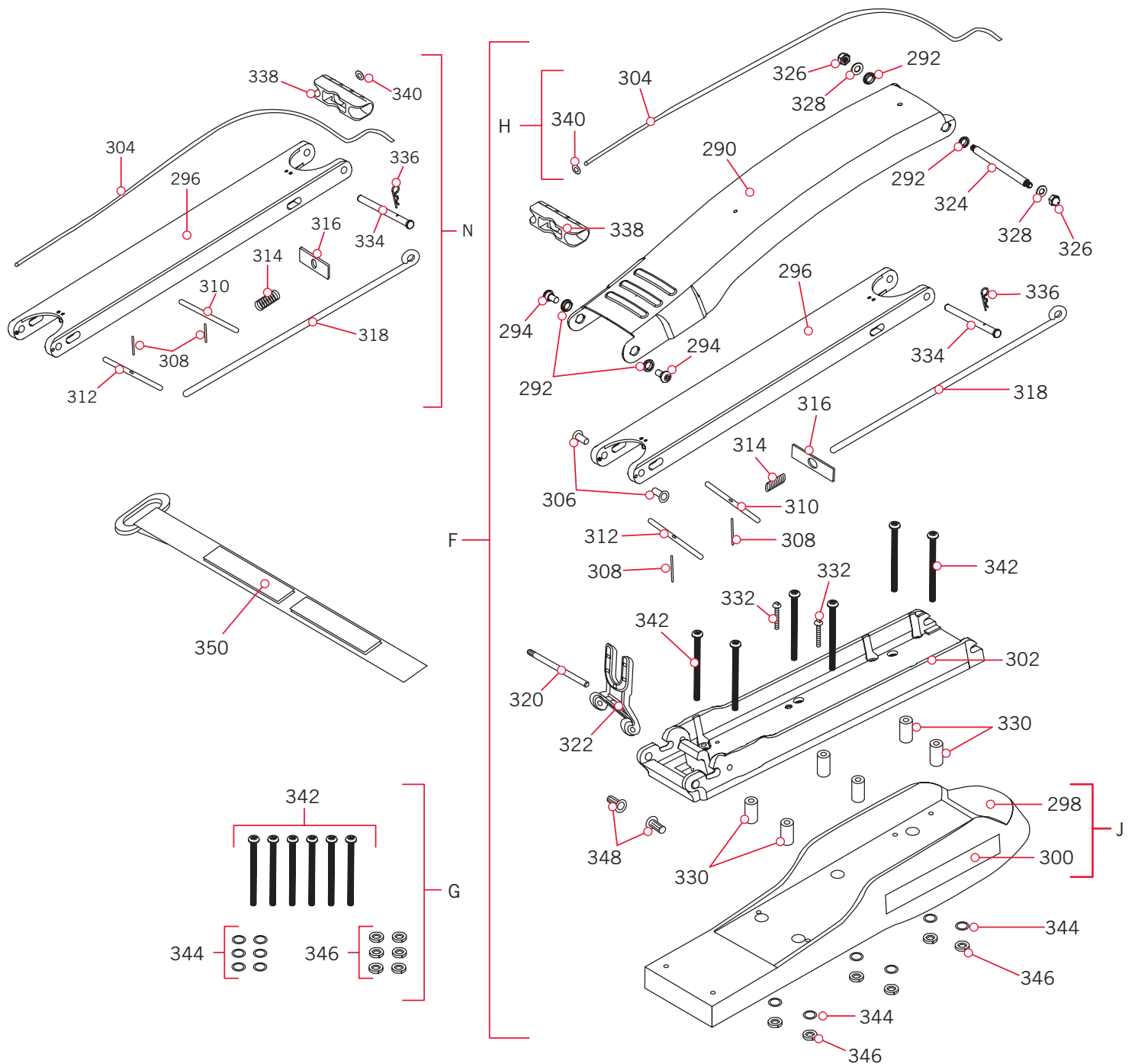
✘ This part is included in an assembly and cannot be ordered individually.



PARTS DIAGRAM & PARTS LIST

MAXXUM 70 MOUNT

Mount Parts Diagram



PARTS DIAGRAM & PARTS LIST

Mount Parts List

Assembly	Part #	Description	Quantity
F	2991659	MNT ASM MAXXUM FW STD	1
G	2994830	BAG ASSY-MAXXUM	1
H	2881601	ROPE W/WASHER(40")MX MT	1
J	2999277	MTR REST ASM MAXXUM FW STD	1
N	2774315	ARM-LOWER ASSY FW STD.	1
Item	Part #	Description	Quantity
290	2264241	ARM-UPPER STD. FW, TX	1
292	2293501	BUSHING, STAINLESS STEEL	4
294	2263500	BOLT, SHOULDER (MAXXUM)	2
296	2994307	ARM-LOWER ASSY,STD,FW,EXT	1
298	2263916	MOTOR REST STD MAXXUM BLK	1
300	2265707	DECAL, MOTOR REST MAXXUM FW	2
302	2993987	BOWPLATE/INS ASY,STD,FW-TX	1
304	2251601	ROPE (44.5"), MAXXUM MNT	1
306	2267318	BUSHING,FLANGE,5/16 #5L7-F-642	2
308	2152612	SPRING-PIN (LOCKBAR) 18-8 SS	2
310	2233620	LOCK BAR-(BOW MNT) ZP CRS	1
312	2233622	LOCK BAR, REAR - ZP CRS	1
314	2152700	SPRING-(LOCKBAR) CAD.PLTD	1
316	2262703	SPRING STOP MAXXUM	1
318	2153602	EYE SHAFT-2LOCKBAR STD-PLTD	1
320	2260506	HINGE-PIN (HEADLESS)ZINC (N100)	1
322	2293811	YOKE,MAX MNT-POLYPROPYLENE	1
324	2262605	PIN-BWGRD,UPPER,THREADED,ZP	1
326	2223100	NUT-5/16-18 NYLOCK S/S	2
328	9908236	WASHER-1/4 FLAT (ZINC)	2
330	2261505	SPACER, MOTOR REST	6
332	2263434	SCREW-#8-18 X 1" PPH S/S	2
334	2262607	PIN-CLEVIS,ZP,MAX BWGRD	1
336	2260805	CLIP-HAIR SPRING,ZP,MAX BG	1
338	2150400	PULL-GRIP	1
340	2151700	WASHER-EYE SHAFT(.562 OD) SS	1
342	2263431	SCREW-1/4-20 X 3.5 PPH	6
344	2261713	WASHER-1/4 FLAT 18-8 SS	6
346	2263103	NUT-1/4-20 NYLOCK SS	6
348	2261540	INSERT-THREADED,BOWPLT,MAX	2
350	2263804	STRAP-HOLD DWN,30.5",VLCR	1
▲	2285801	HANG TAG, HOOK AND LOOP STRAP	1

▲ Not shown on Parts Diagram.

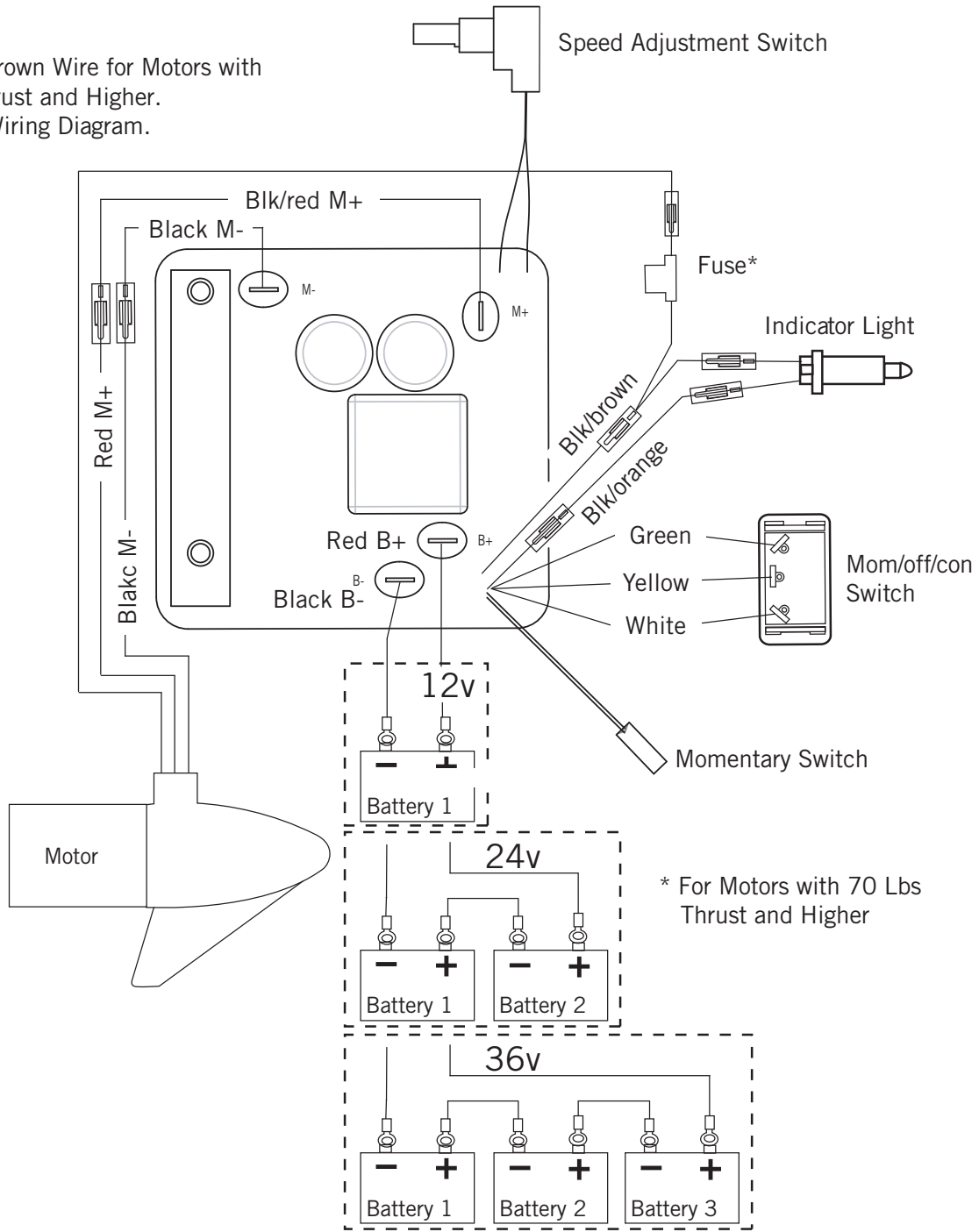
✘ This part is included in an assembly and cannot be ordered individually.

MOTOR WIRING DIAGRAM

MAXXUM VARIABLE SPEED

The following Motor Wiring Diagram applies to all Maxxum Foot Control models that come factory installed with Variable Speed Control.

Optional Brown Wire for Motors with 70 Lbs Thrust and Higher. See Boat Wiring Diagram.



NOTICE: This is a multi-voltage diagram. Double-check your motor's voltage for proper connections. Over-Current Protection Devices are not shown in this illustration.