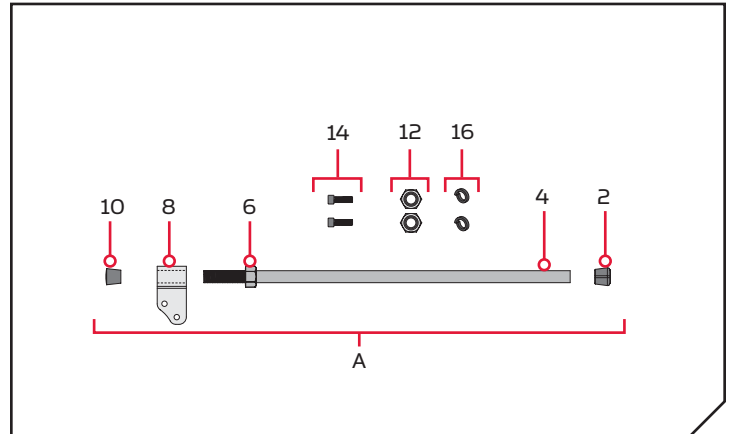


Item / Assembly	Part #	Description	Qty.
A	2991925	Bracket Stabilizer Arm Assembly (Sub)	1
2	2265100	Bumper Stabilizer - Bottom Bumper	1
4	2263624	Stabilizer Rod - Aluminum	1
6	2263107	Nylon Hex Nut 3/4 - 10 UNC - Jam Nut	1
8	2281929	Bracket - Stabilizer	1
10	2260221	Vinyl Cap - Top Bumper	1
12	2223100	Nut 5/16-18 Nylock SS	2
14	2263422	Bolt 5/16-18 X 1" SS - Cap Screw	2
16	2281700	5/16 "ID X .457 OD High Collar Lock Washer	2



TOOLS AND RESOURCES REQUIRED

- 1/4" Allen Wrench
- Pencil or Marker
- Hack Saw
- File or Sandpaper
- Tape Measure or Ruler

MOUNTING CONSIDERATIONS

The Bow-Mount Stabilizer Kit is used to stabilize the Bowguard/Steering Module and reduce bouncing when the motor is stowed and transported. Attention to detail is needed for successful installation. Before mounting the Bow-Mount Stabilizer Kit, give consideration to the following:

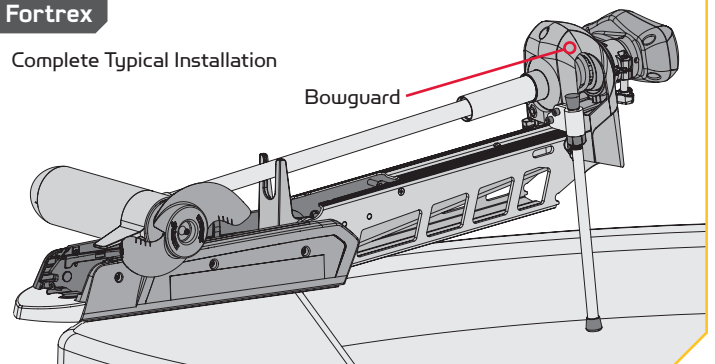
- We recommend to have the MKA-50 Stabilizer Kit installed by a qualified marine installer.
- The MKA-50 Stabilizer Kit is intended for use on either the Fortrex or Ultrex motor. The Stabilizer Bracket mounts to the Bowguard on the Fortrex and the Steering Module on the Ultrex.
- Installation on Fortrex or Riptide SF is slightly different than installation on Ultrex, be sure to follow instructions appropriate to your motor.

CAUTION

Adjusting the Aluminum Rod too tightly removes the end play needed for proper latch pin engagement and doing so could prevent the mount from fully latching in the stowed position. Improper latching may cause damage. If installed correctly, the tip of the Aluminum Rod should lift off of the boat deck about 1/4" without the mount unlatching. Cutting the Aluminum Rod too short will cause inadequate support of the mount. Lack of mount support may cause damage.

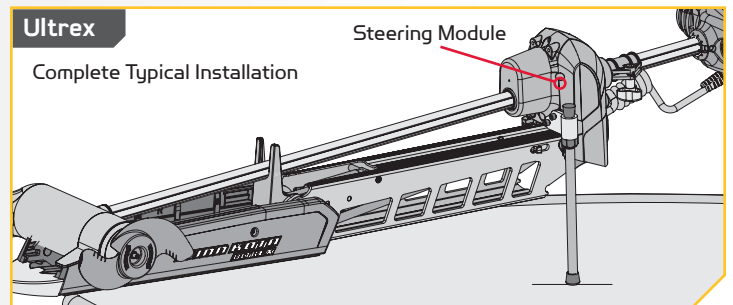
Fortrex

Complete Typical Installation



Ultrex

Complete Typical Installation



NOTE: The MKA-50 Stabilizer Kit can be installed on the left or right side of the Bowguard/Steering Module. When mounting the kit onto the Ultrex, the two Nylock Nuts (Item #12) are discarded because the bolts are secured directly into the Steering Module. The two Lock Washers (Item #16) are not used when installing on the Fortrex.

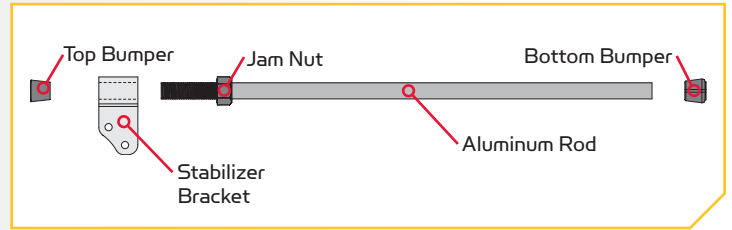
INSTALLATION

1

ITEM(S) NEEDED


■ #10 x 1  #8 x 1  #4 x 1  #6 x 1  #2 x 1

- a. Place the motor in the stowed position.
- b. Unthread the Aluminum Rod (Item #4) from the Stabilizer Bracket (Item #8) by removing the Top Bumper (Item #10) and unscrewing the bracket. Also remove the Bottom Bumper (Item #2). Keep the Jam Nut (Item #6) in place.



2

ITEM(S) NEEDED

⊙ #12 x 2  #14 x 2 ⊙ #16 x 2

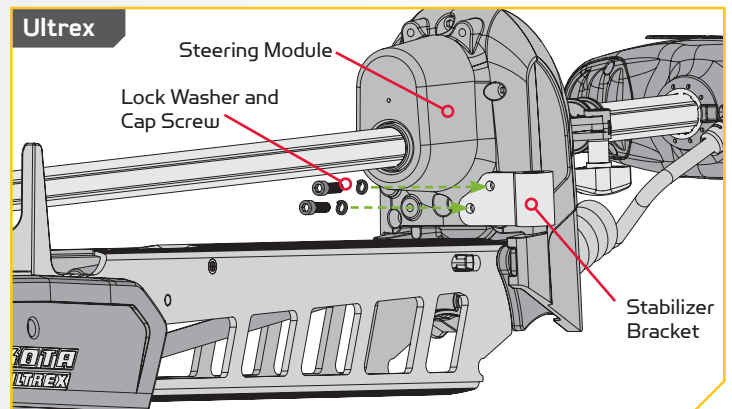
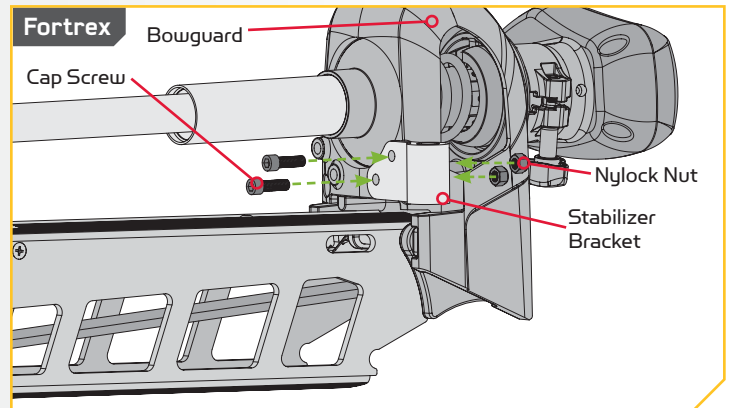
- c. Determine the desired orientation of the Stabilizer Kit to attach it to the bottom of the Bowguard/Steering Module.

NOTE: The kit can be installed on the left or right side of the Bowguard/Steering Module.

- d. **For the Fortrex**, put the 5/16" Cap Screws (Item #14) through the Stabilizer Bracket and the mounting holes on the Bowguard. Secure the 5/16" Cap Screws with the 5/16-18 Nylock Nut (Item #12). The Nylock Nuts fit into a hex pocket on the inside of the Bowguard behind the spring. Secure with a 1/4" Allen Wrench. Tighten to 10 ft lbs.

NOTE: The two Lock Washers (Item #16) are not used when installing on the Fortrex.

- e. **For the Ultrex**, place a Lock Washer (Item #16) on the two 5/16" Cap Screws (Item #14). Use the 5/16" Cap Screw to secure the Stabilizer Bracket to the Steering Module using a 1/4" Allen Wrench. Tighten to 10 ft lbs.



NOTE: The two 5/16-18 Nylock Nuts (Item #12) are not used when installing on the Ultrex.

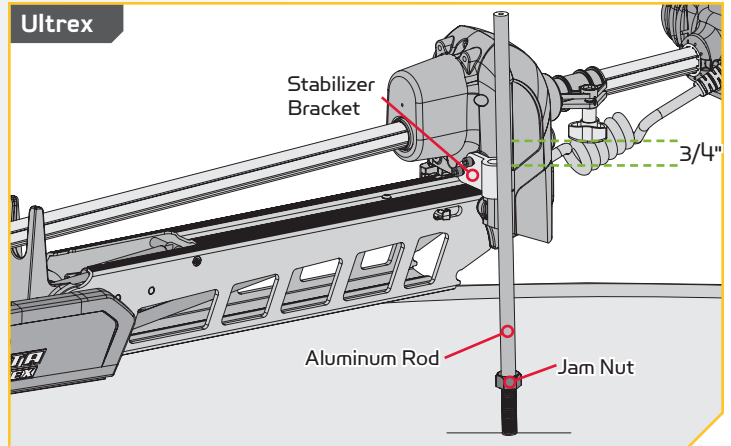
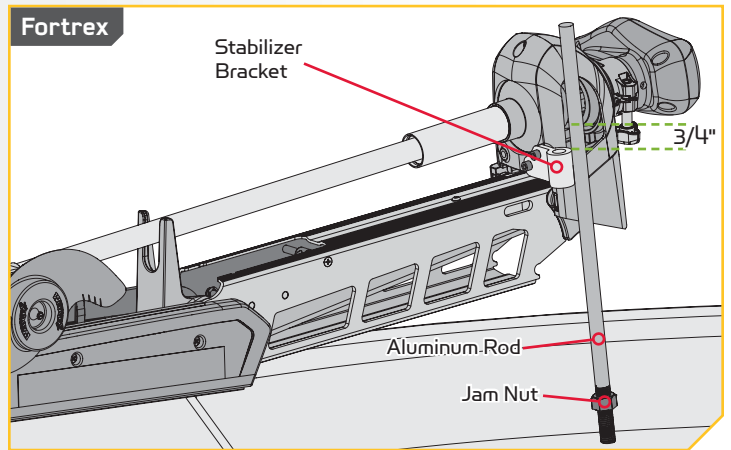
3

- f. Measure the proper length of the Aluminum Rod by standing it, with the threaded end down, onto the deck surface so that it sits vertically right next to the Stabilizer Bracket.
- g. Mark the Aluminum Rod with a pencil or marker 3/4" past the top of the Stabilizer Bracket.

CAUTION

Cutting the Aluminum Rod too short will cause inadequate support of the mount. Lack of mount support may cause damage.

- h. Cut the Aluminum Rod with a Hack Saw at the mark. Round the cut edge of the rod with a file or sandpaper to remove any sharp edges.

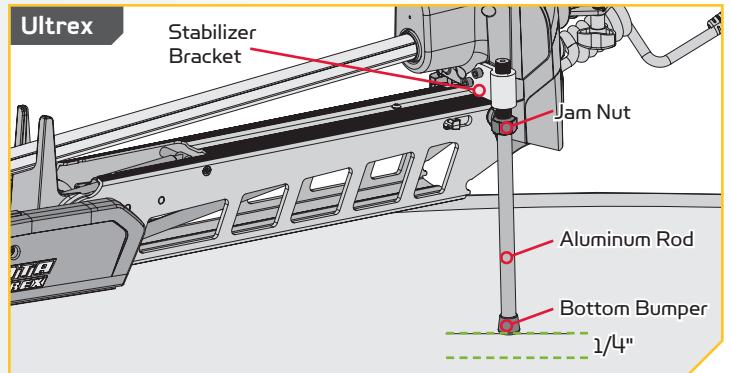
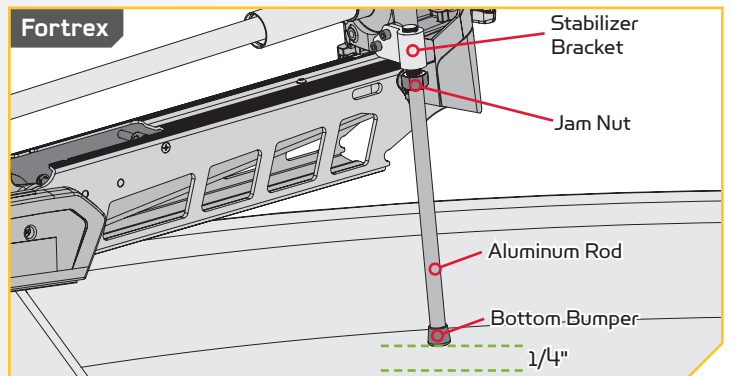


4

- i. Replace the Bottom Bumper on the Aluminum Rod, opposite from the threads.
- j. Thread the Aluminum Rod into the Stabilizer Bracket with the Bottom Bumper towards the boat deck.
- k. Adjust the Aluminum Rod up or down in the Stabilizer Bracket so that the Bottom Bumper just touches the support surface. The Aluminum Rod should have the ability to lift off the boat deck about 1/4" without the mount unlatching.

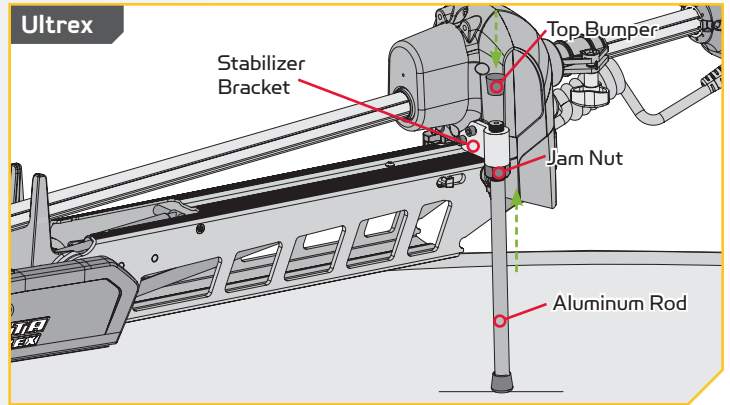
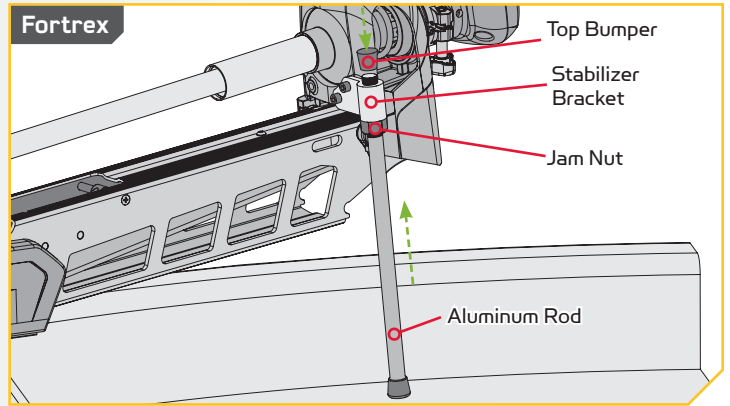
CAUTION

Adjusting the Aluminum Rod too tightly removes the end play needed for proper latch pin engagement and doing so could prevent the mount from fully latching in the stowed position. Improper latching may cause damage. If installed correctly, the tip of the Aluminum Rod should lift off of the boat deck about 1/4" without the mount unlatching.



5

- I. Once in the correct position, tighten the Jam Nut upwards against the Stabilizer Bracket. This will prevent the Aluminum Rod from turning.
- m. Install the Top Bumper if there are threads exposed on the Aluminum Rod above the Stabilizer Bracket.



For warranty information please visit minnkotamotors.com

WARNING: This product contains chemicals known to the State of California to cause cancer and birth defects or other reproductive harm.



minnkotamotors.com

Minn Kota Consumer & Technical Service
Johnson Outdoors Marine Electronics, Inc.
PO Box 8129
Mankato, MN 56001

121 Power Drive
Mankato, MN 56001
Phone (800) 227-6433
Fax (800) 527-4464



©2016 Johnson Outdoors Marine Electronics, Inc.
All rights reserved.