

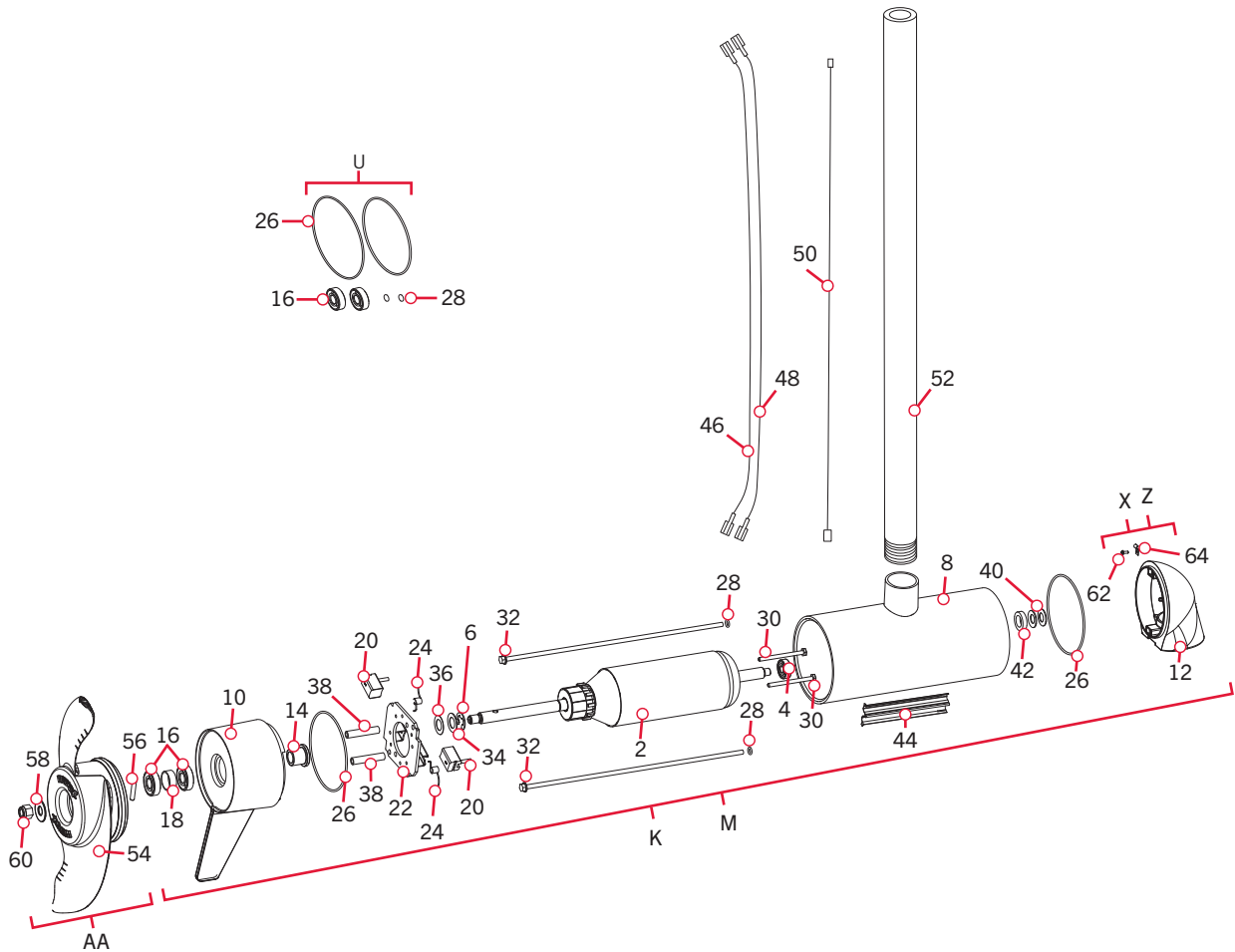
PARTS DIAGRAM & PARTS LIST

FORTREX - 80/112 LBS THRUST - 24/36 VOLT - 45"/52" SHAFT

The parts diagram and parts list provides Minn Kota® WEEE compliance disassembly instructions. For more information about where you should dispose of your waste equipment for recycling and recovery and/or your European Union member state requirements, please contact your dealer or distributor from which your product was purchased. Tools required, but not limited to: flat head screwdriver, Phillips screwdriver, socket set, pliers, wire cutters.

FORTREX MOTOR >

> 24 Volt 4" Motor Parts Diagram



PARTS DIAGRAM & PARTS LIST

▶ 24 Volt 4" Motor Parts List

Assembly	Part #	Description	Notes	Quantity
K	2437022	MTR ASY 24V 4" 80# DSC 45" FW	*80 LB 45"*	1
M	2437023	MTR ASY 24V 4" 80# DSC 52" FW	*80 LB 52"*	1
U	2889460	SEAL & O-RING KIT	*80 LB* *4"*	1
X	2993032	TRANSDUCER ASSEMBLY	*80 LB 52"*	1
Z	2993026	TRANSDUCER ASSEMBLY	*80 LB 45"*	1
AA	1378132	PROPELLER KIT WW2	*80 LB* *4"*	1
Item	Part #	Description	Notes	Quantity
2	2-100-214	ARMATURE ASSEMBLY		1
4	140-010	BEARING		1
6	788-040	RETAINING RING		1
8	2-200-130	CTR HSG ASY 4.0 CB FW MAG		1
10	2-300-170	BRUSH END HSG ASY 4.0 FW		1
12	✘	PLAIN END HSG/TRNDCR 4.0 DSC 67"	*SEE X OR Z*	
14	144-017	FLANGE BEARING		1
16	880-025	SEAL		2
18	725-095	PAPER TUBE - SEAL BORE		1
20	188-094	BRUSH		2
22	9-738-015	BRUSH PLATE ASSEMBLY		1
24	975-041	BRUSH SPRING		2
26	701-043	O-RING, MOTOR		2
28	701-009	O-RING, THRU-BOLT		2
30	830-027	SCREW, 10-32 X 2		2
32	830-094	THRU-BOLT 12-24	*80 LB 45"*	2
	830-095	THRU-BOLT	*80 LB 52"*	2
34	990-051	WASHER, STEEL		1
36	990-052	WASHER, NYLATRON		1
38	973-025	SPACER, BRUSH PLATE		2
40	992-010	WASHER, BELLEVILLE		2
42	990-045	SPACER, THRUST		1
44	582-013	CLIP, RETAINING, SHORT		1
46	640-016	LEADWIRE, BLK AWG 56 1/2 XLP	*80LB 45"*	1
	640-018	LEADWIRE, BLK 10 AWG 62 1/2 XLP	*80 LB 52"*	1
48	640-119	LEADWIRE, RED	*80 LB 45"*	1
	640-123	LEADWIRE, RED 10 AWG 64 XLP	*80 LB 52"*	1
50	640-315	BONDING WIRE, BROWN 45"	*80 LB 45"*	1
	640-316	BONDING WIRE, BROWN 52"	*80 LB 52"*	1

▲ Not shown on Parts Diagram.

✘ This part is included in an assembly and cannot be ordered individually.

□ The Bow-Mount Stabilizer Assembly is not required or included on the 80lb 45" Fortrex.

PARTS DIAGRAM & PARTS LIST



Item	Part #	Description	Notes	Quantity
52	2032003	TUBE 45"		1
	2032006	TUBE 52"		1
54	2331160	PROPELLER	*80LB* *4**	1
56	2262658	DRIVE PIN, LARGE		1
58	2091701	WASHER, PROP, LARGE		1
60	2093101	NUT, NYLOCK, PROP, LARGE		1
▲	✘	DSC XDUCER ASSY 67" HWT	*80 LB 45** *SEE Z*	1
	✘	DSC XDUCER ASSY 73 HWT	*80 LB 52** *SEE X*	1
62	2302104	SCREW - #6-20 X 3/8 THD CUTS, RI		1
▲	✘	SCREW - #6-20 X 1/2 THD CUTS, RI	*SEE X OR Z*	3
64	230-038	CABLE CLAMP		1

▲ Not shown on Parts Diagram.

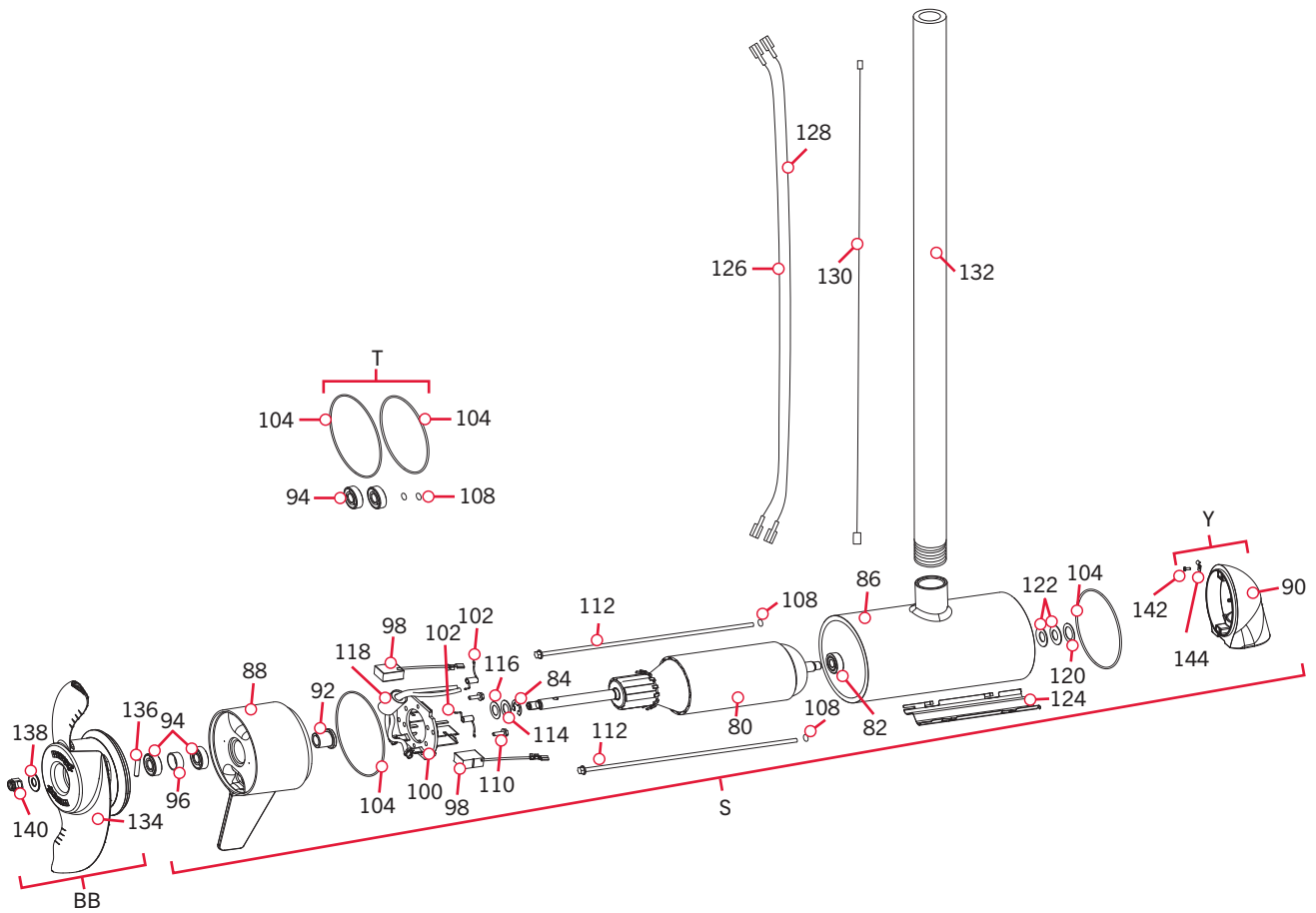
✘ This part is included in an assembly and cannot be ordered individually.

□ The Bow-Mount Stabilizer Assembly is not required or included on the 80lb 45" Fortrex.



PARTS DIAGRAM & PARTS LIST

36 Volt 4.5" Motor Parts Diagram



PARTS DIAGRAM & PARTS LIST

▶ 36 Volt 4.5" Motor Parts List

Assembly	Part #	Description	Notes	Quantity
S	2437075	MTR ASY 36V 4.5"	*112 LB 45"*	1
T	2881450	SEAL & O-RING KIT	*4.5"* *112 LB*	1
Y	2993022	TRANSDUCER ASSEMBLY	*112 LB 45"*	1
BB	1378160	PROPELLER KIT WW2	*112 LB* *4.5"*	1
Item	Part #	Description	Notes	Quantity
80	2-100-245	ARMATURE ASSEMBLY		1
82	140-014	BEARING-BALL 6000		1
84	788-040	RETAINING RING		1
86	2-200-250	CENTER HOUSING ASSEMBLY		1
88	2-300-175	BRUSH END HSG ASY 4.5" FW		1
90	✘	PLAIN END HOUSING ASSEMBLY STD	*SEE Y*	1
92	144-017	FLANGE BEARING		1
94	880-025	SEAL		2
96	725-095	PAPER TUBE - SEAL BORE		1
98	188-095	BRUSH		2
100	9-738-015	BRUSH PLATE ASSEMBLY		1
102	975-045	BRUSH SPRING		2
104	701-098	O-RING, PLAIN END		2
108	701-009	O-RING, THRU-BOLT		2
110	2053410	SCREW, 8-32 X 1/2		2
112	830-094	THRU-BOLT 12-24		2
114	990-051	WASHER, STEEL		1
116	990-052	WASHER, NYLATRON		1
118	2307312	FERRITE BEAD		1
120	990-011	WASHER, SHIM		1
122	992-011	WASHER, BELLEVILLE		2
124	582-016	CLIP, RETAINING		1
126	640-040	LEADWIRE, BLACK 45"	*112 LB 45"*	1
128	640-140	LEADWIRE, RED 45"	*112 LB 45"*	1
130	640-315	BONDING WIRE, BROWN 45"	*112 LB 45"*	1
132	2032003	TUBE 45"		1
134	2341160	PROPELLER WW2	*112LB* *4.5"*	1
136	2262658	DRIVE PIN, LARGE		1
138	2091701	WASHER, PROP, LARGE		1
140	2093101	NUT, NYLOCK, PROP, LARGE		1
▲	✘	DSC XDUCER ASSY 67" HWT	*112 LB 45"* *SEE Y*	1

▲ Not shown on Parts Diagram.

✘ This part is included in an assembly and cannot be ordered individually.

□ The Bow-Mount Stabilizer Assembly is not required or included on the 80lb 45" Fortrex.

PARTS DIAGRAM & PARTS LIST



Item	Part #	Description	Notes	Quantity
142	2302104	SCREW - #6-20 X 3/8 THD CUTS, RI		1
▲	✘	SCREW - #6-20 X 1/2 THD CUTS, RI	*SEE Y*	3
144	230-038	CABLE CLAMP		1

▲ Not shown on Parts Diagram.
 ✘ This part is included in an assembly and cannot be ordered individually.

□ The Bow-Mount Stabilizer Assembly is not required or included on the 80lb 45" Fortrex.



PARTS DIAGRAM & PARTS LIST

Mount Parts List

Assembly	Part #	Description	Notes	Quantity
D	2991650	MNT FW 80# 45", 112#/HC 52"	*80 LB 45"*	1
E	2991652	MNT ASM FTX FW 80# 52/62"	*80 LB 52"*	1
F	2991653	MNT ASM FTX FW 112# 45"	*112 LB 45"*	1
P	2771601	ROPE ASSEMBLY		1
Q	2773600	LATCH STRAP ASSEMBLY, SHORT	*80 LB 45"* *112 LB 45"*	1
R	2773601	LATCH STRAP ASSEMBLY, LONG	*80 LB 52"*	1
A	2994887	MOUNTING HARDWARE BAG ASSY		1
C	2991912	BAG, ASSY. FORTREX MOUNT HDW		1
Item	Part #	Description	Notes	Quantity
172	2280800	LINK, BOWGUARD MOUNT, LEFT		1
174	2287303	BUSHING, UPPER PINS		2
176	2283411	SCREW, 1/4-20 X 1" FHS RIE TORX		4
178	2880401	PULL GRIP ASSEMBLY		1
180	2261732	WASHER		2
182	2281516	SPACER, INNER ARM		1
184	2281702	WASHER, LOCK 1/4		1
186	2284202	OUTER ARM, SHORT	*80 LB 45"* *112 LB 45"*	1
	2284212	OUTER ARM, LONG	*80 LB 52"*	1
188	2992322	ROPE GUIDE ASSEMBLY	*INCLUDES THREADED INSERT*	1
190	2281530	INSERT, THREADED		1
192	2282608	PIN, 7/16 X 5 5/32 - 52"		1
194	2282602	PIN, 3/8 X 3 3/4" SS		1
196	2261505	SPACER		2
198	2263011	E-RING, 3/8 SHAFT		2
200	2223418	SCREW, 1/4-20 X 1/2 BHCS		1
202	2993821	INNER ARM ASSEMBLY, LONG	*80 LB 52"*	1
	2993819	INNER ARM ASSEMBLY, SHORT	*80 LB 45"* *112 LB 45"*	1
204	2042711	SPRING, TORSION		1
206	2283620	LATCH, SAFETY		1
208	2282611	PIN, SAFETY LATCH		1
210	2281704	WASHER 7/16 NYLON		1
212	2280805	LINK, BOWGUARD MOUNT, RIGHT		1
214	2283410	SCREW 1/4-20 X 1/2 PFH		2
216	2288403	GAS SPRING (CYLINDER)	*80 LB 45"*	1
	2288404	GAS SPRING (CYLINDER)	*80 LB 52"*	1
	2288405	GAS SPRING (CYLINDER)	*112 LB 45"*	1

▲ Not shown on Parts Diagram.

* This part is included in an assembly and cannot be ordered individually.

□ The Bow-Mount Stabilizer Assembly is not required or included on the 80lb 45" Fortrex.

PARTS DIAGRAM & PARTS LIST



Item	Part #	Description	Notes	Quantity
218	2281710	SPACER, GAS SPRING		2
220	2282610	PIN, UPPER, SHOCK		1
222	2280005	BEARING, NYLINER 7/16"		4
224	2282600	PIN, 7/16 X 4 7/8		1
226	2281932	BRACKET, REAR PIVOT		2
228	2281501	YOKE, FORTREX		1
230	2282606	PIN, 7/16 X 3 1/8		1
232	2283402	SCREW, SET, 6-32 X 1/4		2
234	2282604	PIN, KNURLED 5/16 X 2		1
236	2283615	LATCH BAR		1
238	2283610	BRACKET - LATCH/STRAP, ROPE PULL		1
240	2287300	BUSHING, REAR PIVOT		2
242	2282602	PIN, 3/8 X 3 3/4		1
244	2263011	E-RING, 3/8 SHAFT		2
246	2280008	BEARING, IGLIDE		2
248	2282720	SPRING, EXTENSION		2
250	2261732	WASHER 8, NYLON		2
252	2373450	SCREW 8-18 X 3/8		2
254	2283937	SIDEPLATE, LEFT, SHORT, FW	*80 LB 45"* *112 LB 45"*	2
	2283947	SIDEPLATE, LEFT, LONG, FW	*80 LB 52"*	1
256	2283932	SIDEPLATE, RIGHT, SHORT, FW	*80 LB 45"* *112 LB 45"*	1
	2283942	SIDEPLATE, RIGHT, LONG, FW	*80 LB 52"*	1
258	2323403	SCREW-1/4-20 X .375 MCH SS CRPH		4
260	2073408	SCREW 1/4-20 X 7/8		2
262	2286700	PLUG, SPACER		2
264	2283900	RAMP, MOTOR		1
266	2283631	RAIL, MACH., MOTOR REST		2
268	2286400	COVER, RAIL, MOTOR REST		2
270	2281903	BASE-EXTRUSION, SHORT, MACH	*80 LB 45"* *112 LB 45"*	1
	2281913	BASE-EXTRUSION, LONG, MACH	*80 LB 52"*	1
272	2323405	SCREW 1/4-20 X 1/2		8
274	2263806	STRAP HOLD DOWN		1
276	✘	ROPE, MAXXUW MNT	*SEE DD*	1
278	✘	SHRINK TUBE .252 FD, ADHES	*SEE DD*	1
280	✘	WASHER - EYE SHAFT (.562 OD) SS	*SEE DD*	1
288	2263468	SCREW -1/4-20 X 2.5" S/S PPH		6
290	2263103	NUT-1/4-20 NYLOCK SS		6
292	2261713	WASHER-1/4 FLAT 18-8 SS		6

▲ Not shown on Parts Diagram.
✘ This part is included in an assembly and cannot be ordered individually.

□ The Bow-Mount Stabilizer Assembly is not required or included on the 80lb 45" Fortrex.



PARTS DIAGRAM & PARTS LIST



Item	Part #	Description	Notes	1Quantity
294	✘	BRACKET, LATCH	*SEE EE OR FF*	1
296	2288610	RIVET, SHLDR 5/16" X .159" SS		2
298	2280006	BEARING, NYLINER 5/16"		2
302	✘	LATCH, STRAP, SHORT	*SEE EE*	2
	✘	LATCH, STRAP, LONG	*SEE FF*	2
304	2283414	SCREW 5/16-18 SHCS, RIE		2
306	2281700	WASHER 5/16 LOCK		1
▲	2285803	HANG TAG, WARNING FORTREX		1
▲	2285801	HANG TAG, HOOK AND LOOP STRAP		1
▲	2015800	HANG TAG "CAUTION" TILT HINGE		1
▲	2297165	MANUAL-DISCLAIMER-DOWNLOAD INFO		1
▲	2287111	INSTALLTION GUIDE, FTX FC		1
▲	2287106	MANUAL FORTREX FC FW		1

▲ Not shown on Parts Diagram.

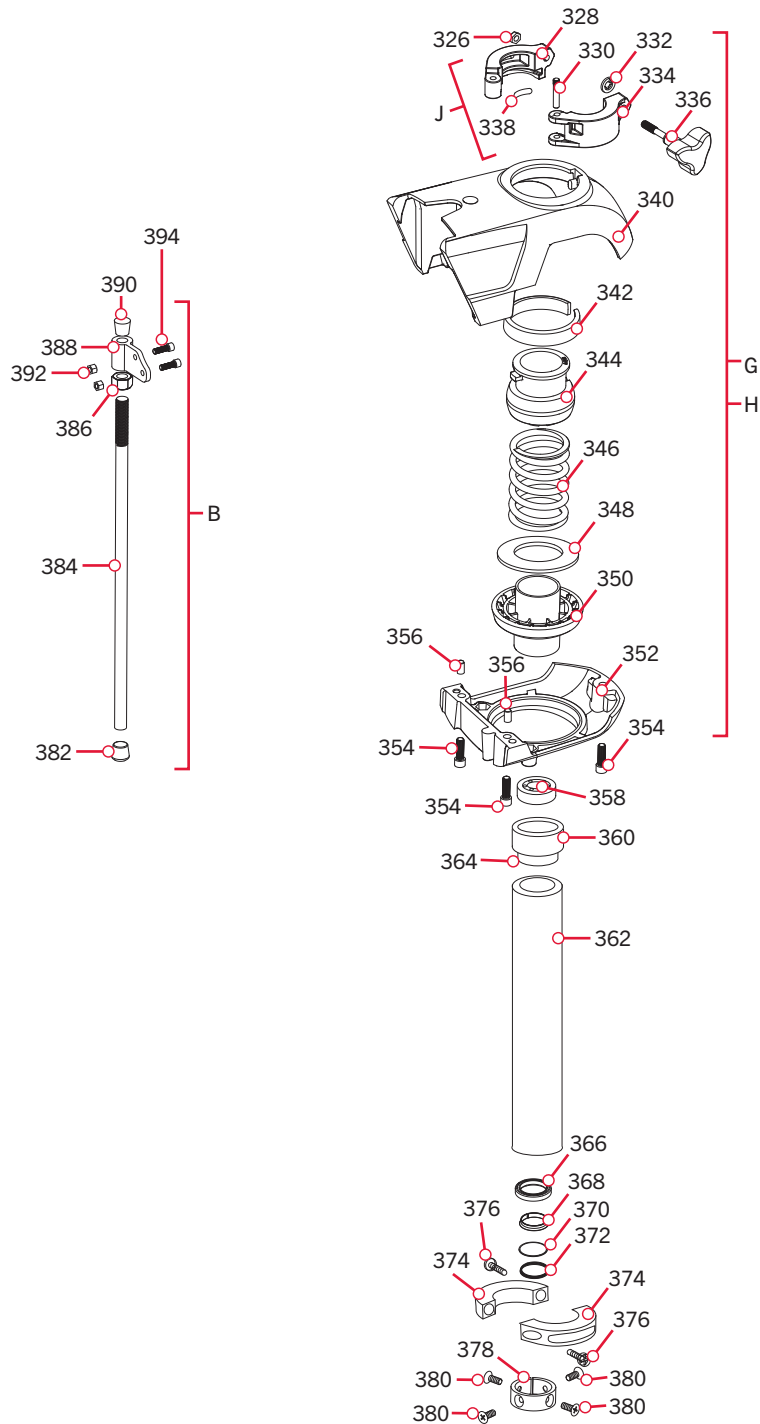
✘ This part is included in an assembly and cannot be ordered individually.

□ The Bow-Mount Stabilizer Assembly is not required or included on the 80lb 45" Fortrex.



FORTREX BOWGUARD >

> Bowguard Parts Diagram



PARTS DIAGRAM & PARTS LIST

» Bowguard Parts List

Assembly	Part #	Description	Notes	Quantity
J	2991550	CLAMP COLLAR ASSEMBLY		1
G	2991754	BOWGUARD ASSEMBLY	*80 LB 52"* *80 LB 45"*	1
H	2991755	BOWGUARD ASSEMBLY	*112 LB 45"*	1
B	2991925 □	BRACKET STABILIZER ASSEMBLY	*NOT USED ON 80 LB 45"*	1
Item	Part #	Description	Notes	Quantity
326	2073102	NUT, 1/4-28 SS		1
328	✘	COLLAR CLAMP, "A" SIDE	*SEE JJ*	1
330	2072621	PIN, KNURLED		1
332	2071718	WASHER #10 NYLON RETAINING		1
334	✘	COLLAR CLAMP, "B" SIDE	*SEE JJ*	1
336	2281505	KNOB - SOFT GRIP, FW		1
338	2075120	PAD, URETHANE, DEPTH COLLAR		1
340	2281952	BRACKET, TOP		1
342	2280001	BEARING, TOP BRACKET		1
344	2071541	SPRING SLEEVE, UPPER		1
346	2282700	SPRING, BOWGUARD 80		1
348	2281525	SPACER, SPRING 62" ONLY		1
350	2281520	SPRING SLEEVE, LOWER	*80 LB 52"* *80 LB 45"*	1
	2071535	SPRING SLEEVE, LOWER	*112 LB 45"*	1
352	2991728	BRACKET, BOTTOM	*80 LB 52"* *80 LB 45"*	1
	2991730	BRACKET, BOTTOM	*112 LB 45"*	1
354	2283413	SCREW 3/8-16 X 1 SHCS, RIE		3
356	2282612	PIN, SPRING 5/16" SS		2
358	2266000	BEARING, BALL, STEEL		1
360	2266260	BEARING RACE		1
362	2772085	TUBE W/ BEARING RACE 21"	*80 LB 45"* *112 LB 45"*	1
	2772086	TUBE W/BEARING RACE 24"	*80 LB 52"*	1
364	2267307	BUSHING OUTER TUBE	"80 LB 52" ONLY*	1
366	2266116	BEARING, CARTRIDGE		1
368	2266001	BEARING, SPLIT RING		1
370	2284600	O-RING	*112 LB 45" ONLY*	1
372	2281706	WASHER-NYLATRON	*112 LB 45" ONLY*	1
374	2261622	COLLAR HALF		2
376	2263453	SCREW, 1/4-20 X 1 SHCS		2
378	2071560	COLLAR, TUBE		1
380	2263457	SCREW-#8-32 X 3/8 PFH		4
382	2265100	BUMPER (CRUTCH TIP)		1

▲ Not shown on Parts Diagram.

✘ This part is included in an assembly and cannot be ordered individually.

□ The Bow-Mount Stabilizer Assembly is not required or included on the 80lb 45" Fortrex.

PARTS DIAGRAM & PARTS LIST



Item	Part #	Description	Notes	Quantity
384	2263624	ANODIZED ALUMINUM 3/4" ROD, 22"		1
386	2263107	HEX NUT 3/4-10 NYLON		1
388	2281929	STABILIZER ARM BRACKET		1
390	2260221	VINYL CAP		1
392	2223100	NYLOCK STAINLESS STEEL NUT		2
394	2263422	SCREW - 5/16-18 X 1"		2

▲ Not shown on Parts Diagram.

* This part is included in an assembly and cannot be ordered individually.

□ The Bow-Mount Stabilizer Assembly is not required or included on the 80lb 45" Fortrex.



PARTS DIAGRAM & PARTS LIST

Foot Pedal Parts List

Item	Part #	Description	Quantity
416	2265430	CABLE JACKET, 5'	1
418	2261220	WIRE HARNESS, MAX	1
420	2267505	CABLE ASSEMBLY, RIGHT, 5'	1
422	2267515	CABLE ASSEMBLY, LEFT, 5'	1
424	490575-2	CABLE, ADPTR, 14 PIN, 175"-DSC	1
426	2773705	PUSH BUTTON W/ MAGNET	1
428	2260810	CLIP, REED SENSOR	1
430	2302732	SPRING, PEDAL BUTTON	1
432	2994497	FOOT PEDAL W/ PLUG	1
434	2263000	E-RING, KNOB	1
436	2280115	KNOB, SPEED CONTROL VARS	1
438	2263466	SCREW 1/4-20 X 2	1
440	2263210	BRACKET, CONDUIT ADJUSTMENT	1
442	2263140	NYLOCK KEEPER	1
444	2372100	SCREW 8-18 X 5/8	2
446	2261714	WASHER, MAX FOOT PEDAL	2
448	2265115	BOOT, FOOT PEDAL	1
450	2254031	SWITCH, MOM/OFF/CON	1
452	2332103	SCREW 6-20 X 3/8	1
454	2260511	PIN, PIVOT, FOOT PEDAL	1
456	2266610	DECAL, ON/OFF SWITCH	1
458	2994556	ASSEMBLY, FT PED BASE/PIN	1
460	2262301	PULLY, FOOT PEDAL	1
462	2266401	COVER, PULLEY	1
464	2301310	SCREW 8-18 X 1/2	2
466	2266413	TENSION SCREW PLATE	1
468	2332103	SCREW 6-20 X 3/8	2
470	2266412	SWITCH PLATE, FOOT PEDAL	1
472	2264056	CONTROL BOARD MAX 24/36	1
474	2884019	SWITCH-REED, MAGNETIC W/CONNECTORS	1
476	2264511	BOTTOM PLATE, MAX	1
478	2372100	SCREW 8-18 X 5/8	5
480	2223455	SCREW 10-32 X 1/2 ZP	2
482	2265126	BUMPER PAD, FOOT PEDAL	4
484	2378600	POP RIVET, 3/16 X 3/4 ALUM	4
486	2256300	TIEWRAP	1
488	2261238	LEADWIRE	1

▲ Not shown on Parts Diagram.

* This part is included in an assembly and cannot be ordered individually.

□ The Bow-Mount Stabilizer Assembly is not required or included on the 80lb 45" Fortrex.

PARTS DIAGRAM & PARTS LIST



Item	Part #	Description	Quantity	
490	2365107	INSULATING PAD (2.3 X 3.2)	1	
492	2263201	CLAMP WIRE HARNESS MICRO	1	
498	2267800	GEAR, INDICATOR	3	
500	2301310	SCREW 8-18 X 1/2	1	
502	2261905	BRACKET, INDICATOR	1	
504	2262221	INDICATOR, DRIVE	1	
506	2264015	LIGHT, INDICATOR	1	
508	2282500	CONTROL BOX	1	
510	2263471	SCREW #6-32 X 1/4" SEMS ZPS	4	
512	2990140	INDICATOR ASSEMBLY	1	
514	2282730	SPRING, INDICATOR	1	
516	2285621	DECAL-COVER 80#, FW	*80 LB 45"* *80 LB 52"*	1
	2285623	DECAL, COVER 112#, FW	*112 LB 45"*	1
518	2280202	COVER, CONTROL BOX	1	
520	2232360	PULLEY, CABLE DRUM	1	
522	2261730	WASHER, NYLON	1	
524	2996247	TOP BEARING, PINION DRIVE	1	
526	2223430	SCREW 8 X 3/4	4	
528	2261901	BRACKET, CONDUIT	1	
530	2372100	SCREW 8-18 X 5/8 THD	1	
532	2263201	CLAMP, WIRE HARNESS	1	
534	2053414	SCREW PPH 8-32 X 1/2 TRI-LOBE	3	
536	2372100	SCREW 8-18 X 2/8	4	
538	2265110	BOOT, CONTROL BOX	1	
540	2355410	SHRINK TUBE 3/8	3	
542	2335400	SHRINK TUBE 1/2" OD X 2"	2	
544	2375400	SHRINK TUBE 1/4" OD X 1 3/4"	1	
546	2218200	FUSE HOLDER ASSEMBLY	1	
548	9953310	TIE WRAP-8.5"	1	
550	2994961	BAG ASM, CABLE ADPT, 490537-2	*490537-2* *MKR-MI-1*	1

▲ Not shown on Parts Diagram.
 ✱ This part is included in an assembly and cannot be ordered individually.

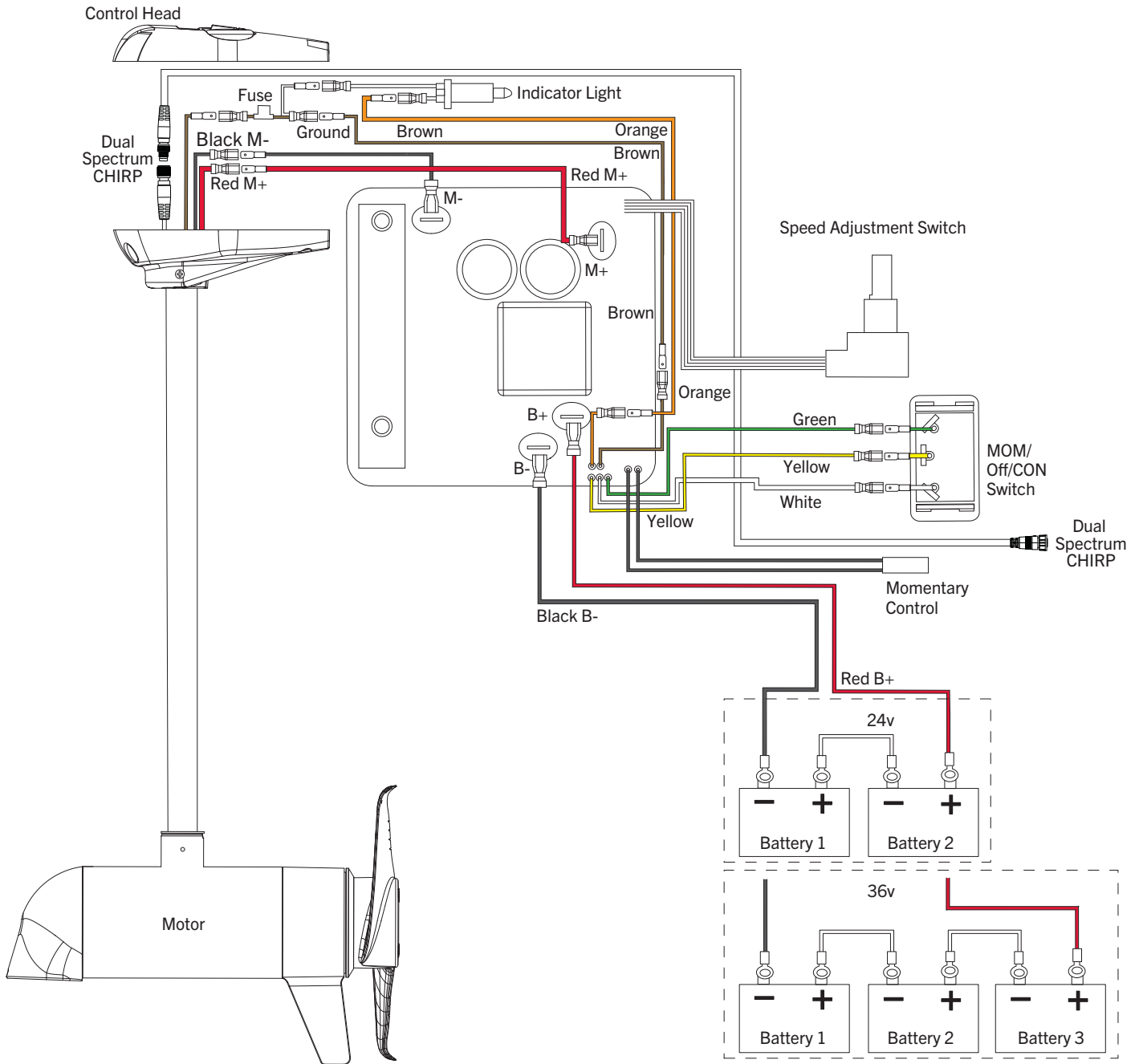
□ The Bow-Mount Stabilizer Assembly is not required or included on the 80lb 45" Fortrex.



MOTOR WIRING DIAGRAM

FORTREX

The following Motor Wiring Diagram applies to all Fortrex Foot Control models installed with Dual Spectrum CHIRP.



NOTICE: This is a multi-voltage diagram. Double-check your motor's voltage for proper connections. Over-Current Protection Devices are not shown in this illustration.