

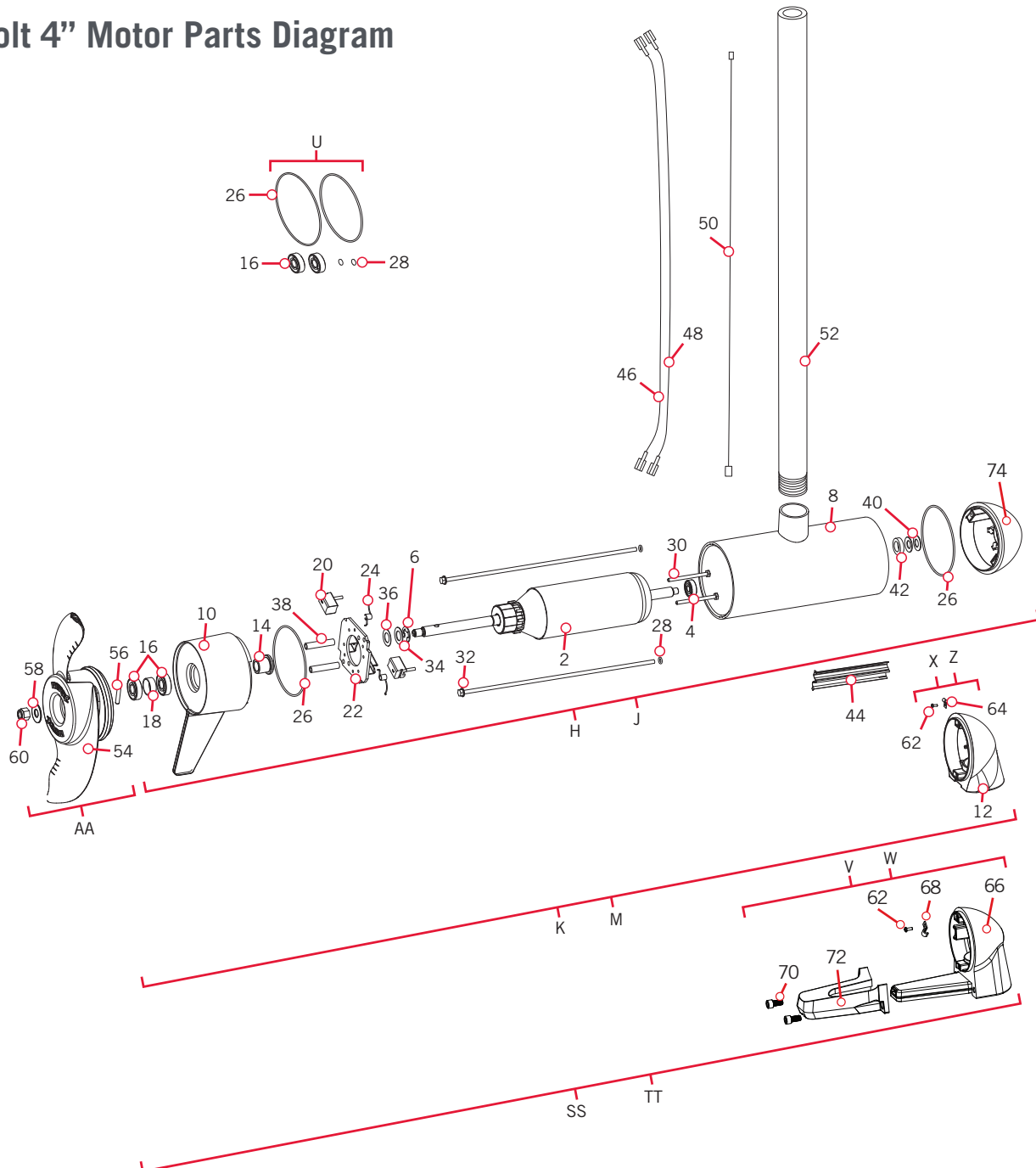
PARTS DIAGRAM & PARTS LIST

FORTREX - 80/112 LBS THRUST - 24/36 VOLT - 45"/52" SHAFT

The parts diagram and parts list provides Minn Kota® WEEE compliance disassembly instructions. For more information about where you should dispose of your waste equipment for recycling and recovery and/or your European Union member state requirements, please contact your dealer or distributor from which your product was purchased. Tools required, but not limited to: flat head screwdriver, Phillips screwdriver, socket set, pliers, wire cutters.

FORTREX MOTOR >

> 24 Volt 4" Motor Parts Diagram



PARTS DIAGRAM & PARTS LIST

▶ 24 Volt 4" Motor Parts List

| Assembly | Part # | Description | Quantity |
|----------|------------|---|----------|
| H | 2417005 | 24V MOTOR 45" FW *80 LB* *24V* *45"* *4"* | 1 |
| J | 2417006 | MTR ASY 24V 4" VS FW 80 BS *24V* *4"* | 1 |
| K | 2427005 + | 24V MOTOR US2 45" *80 LB* *24V* *45"* *US2* *4"* | 1 |
| M | 2427006 + | 24V MOTOR US2 52" *80 LB* *24V* *52"* *US2* *4"* | 1 |
| U | 2889460 | SEAL & O-RING KIT *80 LB* *4"* | 1 |
| X | 9421-244 + | TRANSDUCER ASSEMBLY *52"* *80 LB* *4"* *US2* *NON MDI* | 1 |
| Z | 9421-288 + | TRANSDUCER ASSEMBLY *45"* *80 LB* *4.5"* *US2* *NON MDI* | 1 |
| AA | 1378132 | PROPELLER KIT WW2 *80 LB* 4" | 1 |
| SS | 2437000 → | MTR ASY 24V 4" 80# CB FW *80LB* *45"* *MDI* | 1 |
| TT | 2437001 → | MTR ASY 24V 4" 80# CB FW *80LB* *52"* *MDI* | 1 |
| V | 2773007 → | FORTREX 80-52" MDI TRANSDUCER *MDI* | 1 |
| W | 2773001 → | FORTREX 80-45" MDI TRANSDUCER *MDI* | 1 |
| Item | Part # | Description | Quantity |
| 2 | 2-100-214 | ARMATURE ASSEMBLY *80 LB* | 1 |
| 4 | 140-010 | BEARING *80 LB* | 1 |
| 6 | 788-040 | RETAINING RING | 1 |
| 8 | 2-200-160 | CENTER HOUSING ASSEMBLY *80 LB* *4"* | 1 |
| | 2-200-130 | CTR HSG ASY 4.0 CB FW MAG *80LB* | 1 |
| 10 | 2-300-160 | BRUSH END HSG ASY *80 LB* *4"* | 1 |
| 12 | ✱ + | PLAIN END HOUSING ASSEMBLY STD *4"* *80 LB* *US2* • SEE X OR Z* | |
| 14 | 144-017 | FLANGE BEARING | 1 |
| 16 | 880-025 | SEAL | 2 |
| 18 | 725-095 | PAPER TUBE - SEAL BORE | 1 |
| 20 | 188-094 | BRUSH *80 LB* | 2 |
| 22 | 9-738-015 | BRUSH PLATE ASSEMBLY *4"* | 1 |
| 24 | 975-041 | BRUSH SPRING *80 LB* | 2 |
| 26 | 701-043 | O-RING, MOTOR *80 LB* *4"* | 2 |
| 28 | 701-009 | O-RING, THRU-BOLT | 2 |
| 30 | 830-027 | SCREW, 10-32 X 2 *80 LB* | 2 |
| 32 | 830-094 | THRU-BOLT 12-24 | 2 |
| 34 | 990-051 | WASHER, STEEL | 1 |
| 36 | 990-052 | WASHER, NYLATRON | 1 |
| 38 | 973-025 | SPACER, BRUSH PLATE *80 LB* | 2 |
| 40 | 992-010 | WASHER, BELLEVILLE *80 LB* | 2 |
| 42 | 990-045 | SPACER, THRUST *80 LB* | 1 |

▲ Not shown on Parts Diagram.

✱ This part is included in an assembly and cannot be ordered individually.

+ Only available with models factory installed with Universal Sonar.

→ Only available with models factory installed with Built-in MEGA Down Imaging.

□ The Bow-Mount Stabilizer Assembly is not required or included on the 80lb 45" Fortrex.

PARTS DIAGRAM & PARTS LIST



| Item | Part # | Description | Quantity |
|------|-----------|---|----------|
| 44 | 582-013 | CLIP, RETAINING, SHORT, US2 ONLY *80 LB* | 1 |
| 46 | 640-015 | LEADWIRE, BLACK *80 LB* *45"* *4"* *US2* *NON US2* | 1 |
| | 640-016 | LEADWIRE, BLK AWG 56 1/2 XLP *80LB* *45"* *MDI* | 1 |
| | 640-017 | LEADWIRE, BLACK *80 LB* *52"* *4"* *US2* | 1 |
| 48 | 640-119 | LEADWIRE, RED *80 LB* *45"* *US2* *NON US2* | 1 |
| | 640-123 | LEADWIRE, RED 10 AWG 64 XLP *4"* *52"* *80 LB* *US2* | 1 |
| | 640-121 | LEADWIRE, RED *80 LB* *52"* *4"* *US2* | 1 |
| 50 | 640-315 | BONDING WIRE, BROWN 45" *45"* | 1 |
| | 640-316 | BONDING WIRE, BROWN 52" *52"* | 1 |
| 52 | 2032003 | TUBE 45" | 1 |
| | 2032006 | TUBE 52" | 1 |
| 54 | 2331160 | PROPELLER *80LB* *4"* | 1 |
| 56 | 2262658 | DRIVE PIN, LARGE | 1 |
| 58 | 2091701 | WASHER, PROP, LARGE | 1 |
| 60 | 2093101 | NUT, NYLOCK, PROP, LARGE | 1 |
| ▲ | ✘ | TRANSDUCER ASSY 67" US2 W/T *45"* *SEE Z* | 1 |
| | ✘ | TRANSDUCER ASSY 73" US2 W/T *52"* *SEE X* | 1 |
| 62 | 2302104 | SCREW - #6-20 X 3/8 THD CUTS, RI | 1 |
| ▲ | ✘ | SCREW - #6-20 X 1/2 THD CUTS, RI | 3 |
| 64 | 230-038 + | CABLE CLAMP | 1 |
| 66 | ✘ → | PLAIN END HOUSING US2 52" *80 LB* *4"* *MDI* *SEE V OR W* | 1 |
| 68 | 230-039 → | CABLE CLAMP, 1/4" STEEL | 1 |
| 70 | 830-110 → | SCREW-5-16-18 X 5/8 SHCS SS | 2 |
| 72 | 792-001 → | GUARD, TRANSDUCER, PNT 4.0 DI *80 LB* *4"* | 1 |
| 74 | 421-276 | HSG PLN END 4" PAINTED FW BS *80 LB* | 1 |

▲ Not shown on Parts Diagram.

✘ This part is included in an assembly and cannot be ordered individually.

+ Only available with models factory installed with Universal Sonar.

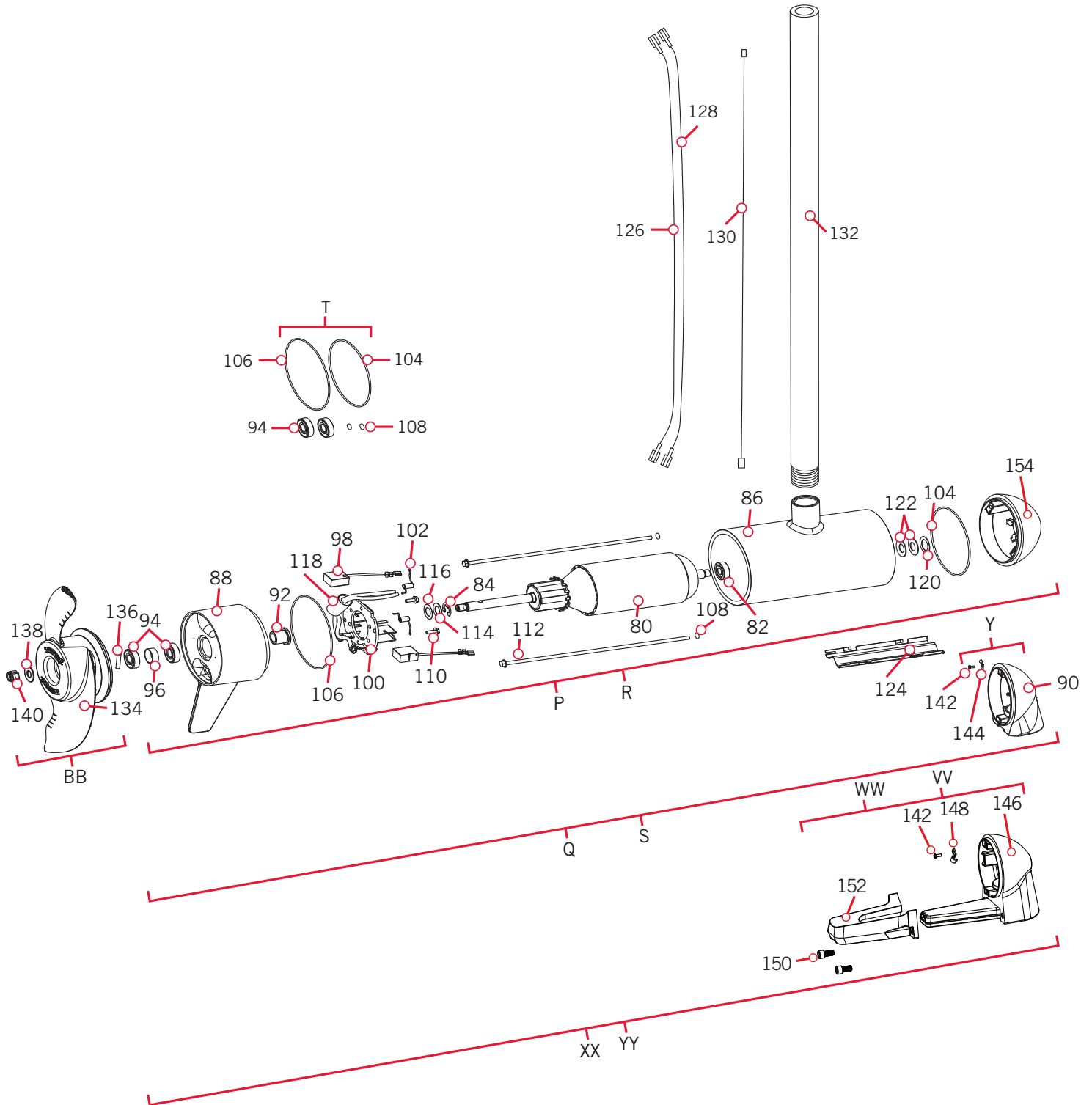
→ Only available with models factory installed with Built-in MEGA Down Imaging.

□ The Bow-Mount Stabilizer Assembly is not required or included on the 80lb 45" Fortrex.



PARTS DIAGRAM & PARTS LIST

36 Volt 4.5" Motor Parts Diagram



PARTS DIAGRAM & PARTS LIST

› 36 Volt 4.5" Motor Parts List

| Assembly | Part # | Description | Quantity |
|----------|------------|---|----------|
| P | 2317081 | 36V MOTOR 52" FW *112 LB* *36V* *52"* *4.5"* | 1 |
| Q | 2327081 + | 36V MOTOR US2 52" *112 LB* *36V* *US2* *52"* *4.5"* | 1 |
| R | 2317080 + | 36V MOTOR 45" *112 LB* *36V* *45"* *4.5"* | 1 |
| S | 2327080 + | 36V MOTOR US2 45" *112 LB* *36V* *US2* *45"* *4.5"* | 1 |
| T | 2881450 | SEAL & O-RING KIT *4.5"* *112 LB* | 1 |
| Y | 9421-245 + | TRANSDUCER ASSEMBLY *UP TO 52"* *112 LB* *4.5"* *US2* *NON MDI* | 1 |
| BB | 1378160 | PROPELLER KIT WW2 *112 LB* *4.5"* | 1 |
| XX | 2437011 → | MTR ASY 36V 4.5" 112# MDI FW *MDI* *52"* | 1 |
| YY | 2437010 → | MTR ASY 36V 4.5" 112# MDI FW *MDI* *45"* | 1 |
| VV | 2773002 → | FORTREX 112-52" MDI TRANSDUCER *MDI* *52"* | 1 |
| WW | 2773008 → | FORTREX 112-45" MDI TRANSDUCER *MDI* *45"* | 1 |
| Item | Part # | Description | Quantity |
| 80 | 2-100-245 | ARMATURE ASSEMBLY *112 LB* | 1 |
| 82 | 140-014 | BEARING *112 LB* | 1 |
| 84 | 788-040 | RETAINING RING | 1 |
| 86 | 2-200-240 | CENTER HOUSING ASSEMBLY *4.5"* *112 LB* | 1 |
| 88 | 2-300-155 | BRUSH END HSG ASY 4.5" FW *4.5"* *112 LB* | 1 |
| 90 | ✖ + | PLAIN END HOUSING ASSEMBLY STD *4.5"* *112 LB* *US2* *SEE Y* | 1 |
| 92 | 144-017 | FLANGE BEARING | 1 |
| 94 | 880-025 | SEAL | 2 |
| 96 | 725-095 | PAPER TUBE - SEAL BORE | 1 |
| 98 | 188-095 | BRUSH *112 LB* | 2 |
| 100 | 9-738-015 | BRUSH PLATE ASSEMBLY *4.5"* | 1 |
| 102 | 975-045 | BRUSH SPRING *112 LB* | 2 |
| 104 | 701-098 | O-RING, PLAIN END *4.5"* *112 LB* | 1 |
| 106 | 701-103 | O-RING, 103 MM X 3.00 MM, 70 BUNA *4.5"* | 1 |
| 108 | 701-009 | O-RING, THRU-BOLT | 2 |
| 110 | 2053410 | SCREW, 8-32 X 1/2 *112 LB* | 2 |
| 112 | 830-094 | THRU-BOLT 12-24 | 2 |
| 114 | 990-051 | WASHER, STEEL | 1 |
| 116 | 990-052 | WASHER, NYLATRON | 1 |
| 118 | 2307312 | FERRITE BEAD | 1 |
| 120 | 990-011 | WASHER, SHIM | 1 |
| 122 | 992-011 | WASHER, BELLEVILLE *112 LB* | 2 |
| 124 | 582-016 | CLIP, RETAINING *112 LB* | 1 |

▲ Not shown on Parts Diagram.

✖ This part is included in an assembly and cannot be ordered individually.

+ Only available with models factory installed with Universal Sonar.

→ Only available with models factory installed with Built-in MEGA Down Imaging.

□ The Bow-Mount Stabilizer Assembly is not required or included on the 80lb 45" Fortrex.

PARTS DIAGRAM & PARTS LIST



| Item | Part # | Description | Quantity |
|------|-----------|--|----------|
| 126 | 640-040 | LEADWIRE, BLACK 45" *112 LB* *4.5"* *45"* *US2* *NON US2* | 1 |
| | 640-043 | LEADWIRE, BLACK 52" *112 LB* *52"* *4.5"* *US2* *NON US2* | 1 |
| 128 | 640-140 | LEADWIRE, RED 45" *112 LB* *4.5"* *45"* *US2* *NON US2* | 1 |
| | 640-143 | LEADWIRE, RED 52" *112 LB* *52"* *4.5"* *US2* *NON US2* | 1 |
| 130 | 640-315 | BONDING WIRE, BROWN 45" *45"* | 1 |
| | 640-316 | BONDING WIRE, BROWN 52" *52"* | 1 |
| 132 | 2032003 | TUBE 45" | 1 |
| | 2032006 | TUBE 52" | 1 |
| 134 | 2341160 | PROPELLER WW2 *112LB* *4.5"* | 1 |
| 136 | 2262658 | DRIVE PIN, LARGE | 1 |
| 138 | 2091701 | WASHER, PROP, LARGE | 1 |
| 140 | 2093101 | NUT, NYLOCK, PROP, LARGE | 1 |
| ▲ | ✘ | TRANSDUCER ASSY US2 W/T *45"* | 1 |
| | ✘ | TRANSDUCER ASSY US2 W/T *52"* | 1 |
| 142 | 2302104 + | SCREW - #6-20 X 3/8 THD CUTS, RI | 1 |
| ▲ | ✘ | SCREW - #6-20 X 1/2 THD CUTS, RI | 3 |
| 144 | 230-038 | CABLE CLAMP | 1 |
| 146 | ✘ → | PLAIN END HOUSING US2 52" *4.5"* *112 LB* *MDI* *SEE WW OR VV* | 1 |
| 148 | 230-039 → | CABLE CLAMP, 1/4" STEEL | 1 |
| 150 | 830-110 → | SCREW-5-16-18 X 5/8 SHCS SS | 2 |
| 152 | 792-005 → | GUARD, TRANSDUCER, PNT 4.5 DI *112 LB* *4.5"* | 1 |
| 154 | 421-240 | PLAIN END HSG 4.5" PNTD FW 4.5" LOWER UNIT *112 LB* | 1 |

▲ Not shown on Parts Diagram.

✘ This part is included in an assembly and cannot be ordered individually.

+ Only available with models factory installed with Universal Sonar.

→ Only available with models factory installed with Built-in MEGA Down Imaging.

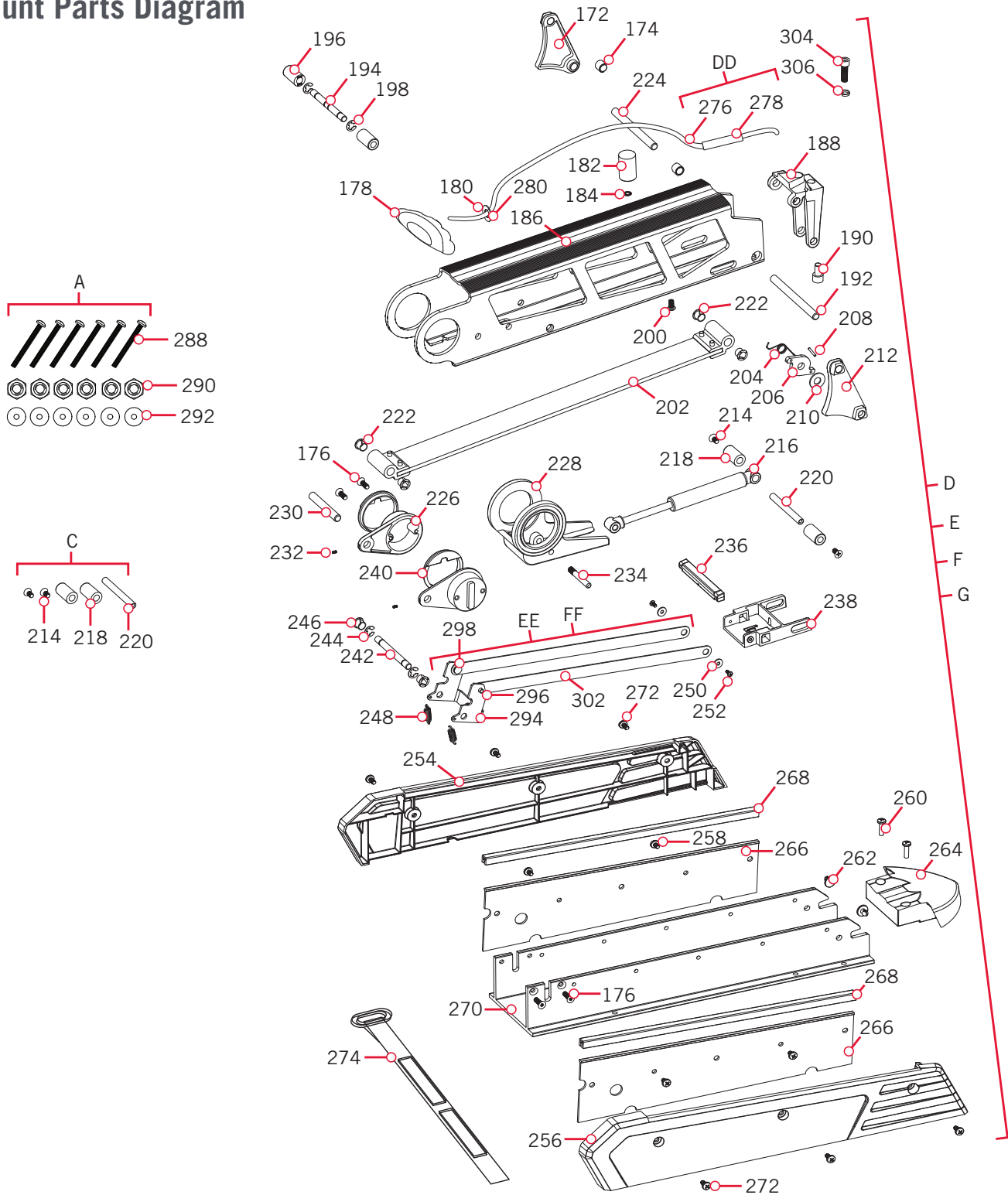
□ The Bow-Mount Stabilizer Assembly is not required or included on the 80lb 45" Fortrex.



PARTS DIAGRAM & PARTS LIST

FORTREX MOUNT

Mount Parts Diagram



PARTS DIAGRAM & PARTS LIST

Mount Parts List

| Assembly | Part # | Description | Quantity |
|----------|---------|--|----------|
| D | 2991650 | MNT FW 80# 45", 112#/HC 52" *80 LB 45"* *112 LB 52"* | 1 |
| E | 2991652 | MNT ASM FTX FW 80# 52/62" *80 LB 52"* *80 LB 62"* | 1 |
| F | 2991653 | MNT ASM FTX FW 112# 45" *112 LB 45"* | 1 |
| G | 2991654 | MNT ASM FTX FW 112# 52" *112 LB 52"* | 1 |
| DD | 2771601 | ROPE ASSEMBLY | 1 |
| EE | 2773600 | LATCH STRAP ASSEMBLY, SHORT | 1 |
| FF | 2773601 | LATCH STRAP ASSEMBLY, LONG | 1 |
| A | 2994887 | MOUNTING HARDWARE BAG ASSY | 1 |
| C | 2991912 | BAG, ASSY. FORTREX MOUNT HDW | 1 |
| Item | Part # | Description | Quantity |
| 172 | 2280800 | LINK, BOWGUARD MOUNT, LEFT | 1 |
| | 2990810 | END LINK, LEFT, MACHINED *112 LB 62" ONLY* | 1 |
| 174 | 2287303 | BUSHING, UPPER PINS | 2 |
| 176 | 2283411 | SCREW, 1/4-20 X 1" FHS RIE TORX | 4 |
| 178 | 2880401 | PULL GRIP ASSEMBLY | 1 |
| 180 | 2261732 | WASHER | 2 |
| 182 | 2281516 | SPACER, INNER ARM | 1 |
| 184 | 2281702 | WASHER, LOCK 1/4 | 1 |
| 186 | 2284202 | OUTER ARM, SHORT | 1 |
| | 2284212 | OUTER ARM, LONG | 1 |
| 188 | 2992322 | ROPE GUIDE ASSEMBLY *INCLUDES THREADED INSERT* | 1 |
| 190 | 2281530 | INSERT, THREADED | 1 |
| 192 | 2282608 | PIN, 7/16 X 5 5/32 - 52" | 1 |
| 194 | 2282602 | PIN, 3/8 X 3 3/4" SS | 1 |
| 196 | 2261505 | SPACER | 2 |
| 198 | 2263011 | E-RING, 3/8 SHAFT | 2 |
| 200 | 2223418 | SCREW, 1/4-20 X 1/2 BHCS | 1 |
| 202 | 2993821 | INNER ARM ASSEMBLY, LONG | 1 |
| | 2993819 | INNER ARM ASSEMBLY, SHORT | 1 |
| 204 | 2042711 | SPRING, TORSION | 1 |
| 206 | 2283620 | LATCH, SAFETY | 1 |
| 208 | 2282611 | PIN, SAFETY LATCH | 1 |
| 210 | 2281704 | WASHER 7/16 NYLON | 1 |
| 212 | 2280805 | LINK, BOWGUARD MOUNT, RIGHT | 1 |
| | 2990815 | END LINK, RIGHT, MACHINED *112 LB 62" ONLY* | 1 |

▲ Not shown on Parts Diagram.

* This part is included in an assembly and cannot be ordered individually.

+ Only available with models factory installed with Universal Sonar.

➔ Only available with models factory installed with Built-in MEGA Down Imaging.

□ The Bow-Mount Stabilizer Assembly is not required or included on the 80lb 45" Fortrex.

PARTS DIAGRAM & PARTS LIST



| Item | Part # | Description | Quantity |
|------|---------|--|----------|
| 214 | 2283410 | SCREW 1/4-20 X 1/2 PFH | 2 |
| 216 | 2288403 | GAS SPRING (CYLINDER) *ASSEMBLY D* *80# 45"* | 1 |
| | 2288404 | GAS SPRING (CYLINDER) *ASSEMBLY E* *80# 52"62"* | 1 |
| | 2288405 | GAS SPRING (CYLINDER) *ASSEMBLY F* *ASSEMBLY G* *112#* | 1 |
| 218 | 2281710 | SPACER, GAS SPRING | 2 |
| 220 | 2282610 | PIN, UPPER, SHOCK | 1 |
| 222 | 2280005 | BEARING, NYLINER 7/16" | 4 |
| 224 | 2282600 | PIN, 7/16 X 4 7/8 | 1 |
| 226 | 2281932 | BRACKET, REAR PIVOT | 2 |
| 228 | 2281501 | YOKE, SHOCK MOUNT | 1 |
| 230 | 2282606 | PIN, 7/16 X 3 1/8 | 1 |
| 232 | 2283402 | SCREW, SET, 6-32 X 1/4 | 2 |
| 234 | 2282604 | PIN, KNURLED 5/16 X 2 | 1 |
| 236 | 2283615 | LATCH BAR | 1 |
| | 2283616 | LATCH BAR | 1 |
| 238 | 2283610 | BRACKET - LATCH/STRAP, ROPE PULL | 1 |
| 240 | 2287300 | BUSHING, REAR PIVOT | 2 |
| 242 | 2282602 | PIN, 3/8 X 3 3/4 | 1 |
| 244 | 2263011 | E-RING, 3/8 SHAFT | 2 |
| 246 | 2280008 | BEARING, IGLIDE | 2 |
| 248 | 2282720 | SPRING, EXTENSION | 2 |
| 250 | 2261732 | WASHER 8, NYLON | 2 |
| 252 | 2373450 | SCREW 8-18 X 3/8 | 2 |
| 254 | 2283937 | SIDEPLATE, LEFT, SHORT, FW | 1 |
| | 2283947 | SIDEPLATE, LEFT, LONG, FW | 1 |
| 256 | 2283932 | SIDEPLATE, RIGHT, SHORT, FW | 1 |
| | 2283942 | SIDEPLATE, RIGHT, LONG, FW | 1 |
| 258 | 2323403 | SCREW-1/4-20 X .375 MCH SS CRPH | 4 |
| 260 | 2073408 | SCREW 1/4-20 X 7/8 | 2 |
| 262 | 2286700 | PLUG, SPACER | 2 |
| 264 | 2283900 | RAMP, MOTOR | 1 |
| 266 | 2283631 | RAIL, MACH., MOTOR REST | 2 |
| 268 | 2286400 | COVER, RAIL, MOTOR REST (SUB) | 2 |
| 270 | 2281903 | BASE-EXTRUSION, SHORT, MACH | 1 |
| | 2281913 | BASE-EXTRUSION, LONG, MACH | 1 |
| 272 | 2323405 | SCREW 1/4-20 X 1/2 | 8 |
| 274 | 2773806 | STRAP HOLD DOWN | 1 |

- ▲ Not shown on Parts Diagram.
- * This part is included in an assembly and cannot be ordered individually.
- + Only available with models factory installed with Universal Sonar.

- ➔ Only available with models factory installed with Built-in MEGA Down Imaging.
- The Bow-Mount Stabilizer Assembly is not required or included on the 80lb 45" Fortrex.



PARTS DIAGRAM & PARTS LIST



| Item | Part # | Description | Quantity |
|------|---------|---------------------------------|----------|
| 276 | ✘ | ROPE, MAXXUW MNT | 1 |
| 278 | ✘ | SHRINK TUBE .252 FD, ADHES | 1 |
| 280 | ✘ | WASHER - EYE SHAFT (.562 OD) SS | 1 |
| ▲ | 2287100 | MANUAL FORTREX FC FW | 1 |
| ▲ | 2217110 | MANUAL - UWV. SONAR | 1 |
| ▲ | 2284912 | PARTS LIST, FRTRX 112/FC 52" | 1 |
| 288 | 2263468 | SCREW -1/4-20 X 2.5" S/S PPH | 6 |
| 290 | 2263103 | NUT-1/4-20 NYLOCK SS | 6 |
| 292 | 2261713 | WASHER-1/4 FLAT 18-8 SS | 6 |
| 294 | ✘ | BRACKET, LATCH *SEE EE OR FF* | 1 |
| 296 | 2288610 | RIVET, SHLDR 5/16" X .159" SS | 2 |
| 298 | 2280006 | BEARING, NYLINER 5/16" | 2 |
| ▲ | 2284911 | PARTS LIST, FORTREX 112 FC 45" | 1 |
| 302 | ✘ | LATCH, STRAP, SHORT *SEE EE* | 2 |
| | ✘ | LATCH, STRAP, LONG *SEE FF* | 2 |
| 304 | 2283414 | SCREW 5/16-18 SHCS, RIE | 1 |
| 306 | 2281700 | WASHER 5/16 LOCK | 1 |

- ▲ Not shown on Parts Diagram.
- ✘ This part is included in an assembly and cannot be ordered individually.
- ✚ Only available with models factory installed with Universal Sonar.

- ➔ Only available with models factory installed with Built-in MEGA Down Imaging.
- ☐ The Bow-Mount Stabilizer Assembly is not required or included on the 80lb 45" Fortrex.

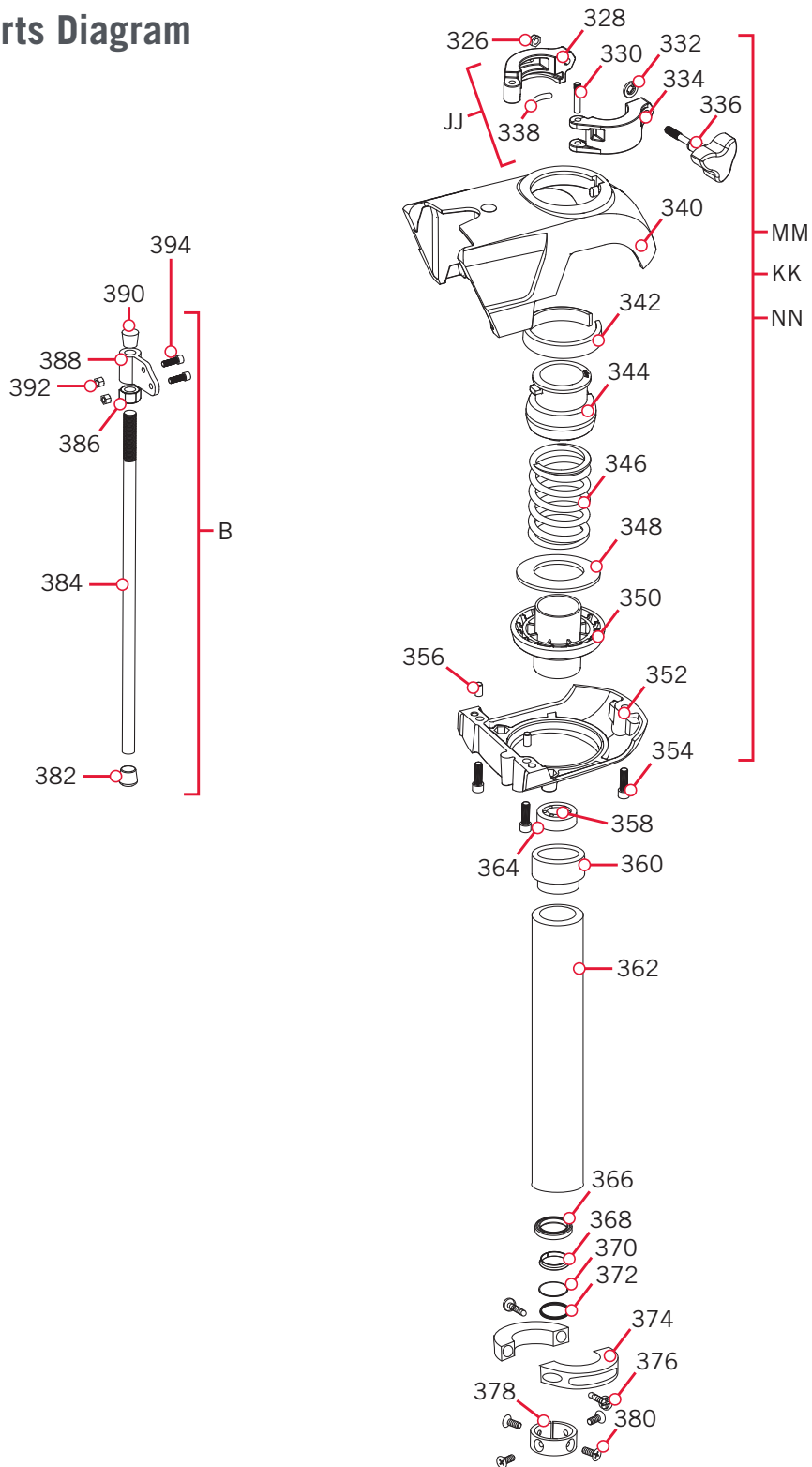


PARTS DIAGRAM & PARTS LIST



FORTREX BOWGUARD >

> Bowguard Parts Diagram



PARTS DIAGRAM & PARTS LIST

► Bowguard Parts List

| Assembly | Part # | Description | Quantity |
|----------|-----------|---|----------|
| JJ | 2991550 | CLAMP COLLAR ASSEMBLY | 1 |
| KK | 2991753 | BOWGUARD ASSEMBLY *112 LB 52"* | 1 |
| MM | 2991754 | BOWGUARD ASSEMBLY *80 LB 52"* *80 LB 45"* | 1 |
| NN | 2991755 | BOWGUARD ASSEMBLY *112 LB 45"* *80 LB 62"* | 1 |
| B | 2991925 □ | BRACKET STABILIZER ASSEMBLY | 1 |
| Item | Part # | Description | Quantity |
| 326 | 2073102 | NUT, 1/4-28 SS | 1 |
| 328 | ✘ | COLLAR CLAMP, "A" SIDE *SEE JJ* | 1 |
| 330 | 2072621 | PIN, KNURLED | 1 |
| 332 | 2071718 | WASHER #10 NYLON RETAINING | 1 |
| 334 | ✘ | COLLAR CLAMP, "B" SIDE *SEE JJ* | 1 |
| 336 | 2281505 | KNOB - SOFT GRIP, FW | 1 |
| 338 | 2075120 | PAD, URETHANE, DEPTH COLLAR | 1 |
| 340 | 2281952 | BRACKET, TOP | 1 |
| 342 | 2280001 | BEARING, TOP BRACKET | 1 |
| 344 | 2071541 | SPRING SLEEVE, UPPER | 1 |
| 346 | 2282700 | SPRING, BOWGUARD 80 | 1 |
| | 2282704 | SPRING, BOWGUARD 112 | 1 |
| 348 | 2281525 | SPACER, SPRING 62" ONLY | 1 |
| 350 | 2281520 | SPRING SLEEVE, LOWER *80 LB 52"* *80 LB 45"* | 1 |
| | 2071535 | SPRING SLEEVE, LOWER *80 LB 62"* *112 LB 45"* | 1 |
| | 2281540 | SPRING SLEEVE, LOWER *112 LB 52"* | 1 |
| 352 | 2991728 | BRACKET, BOTTOM *80 LB 52"* *80 LB 45"* | 1 |
| | 2991730 | BRACKET, BOTTOM *112 LB 52"* *112 LB 45"* *80 LB 62"* | 1 |
| 354 | 2283413 | SCREW 3/8-16 X 1 SHCS, RIE | 3 |
| 356 | 2282612 | PIN, SPRING 5/16" SS | 2 |
| 358 | 2266000 | BEARING, BALL, STEEL | 1 |
| 360 | 2266260 | BEARING RACE | 1 |
| 362 | 2772085 | TUBE W/ BEARING RACE 21" *80 LB 45"* *112 LB 45"* | 1 |
| | 2772086 | TUBE W/BEARING RACE 24" *80 LB 52"* | 1 |
| | 2772092 | TUBE W/BEARING RACE 24"*112 LB 52"* | 1 |
| | 2772088 | TUBE W/BEARING RACE 28.5" *80 LB 62"* | 1 |
| 364 | 2267307 | BUSHING OUTER TUBE | 1 |
| 366 | 2266116 | BEARING, CARTRIDGE | 1 |
| 368 | 2266001 | BEARING, SPLIT RING | 1 |
| 370 | 2284600 | O-RING | 1 |

▲ Not shown on Parts Diagram.

✘ This part is included in an assembly and cannot be ordered individually.

✚ Only available with models factory installed with Universal Sonar.

➔ Only available with models factory installed with Built-in MEGA Down Imaging.

□ The Bow-Mount Stabilizer Assembly is not required or included on the 80lb 45" Fortrex.

PARTS DIAGRAM & PARTS LIST



| Item | Part # | Description | Quantity |
|------|---------|---------------------------------|----------|
| 372 | 2281706 | WASHER-NYLATRON | 1 |
| 374 | 2261622 | COLLAR HALF | 2 |
| 376 | 2263453 | SCREW, 1/4-20 X 1 SHCS | 2 |
| 378 | 2071560 | COLLAR, TUBE | 1 |
| 380 | 2223468 | SCREW 8-32 X 7/16 FLT HD | 4 |
| 382 | 2265100 | BUMPER (CRUTCH TIP) | 1 |
| 384 | 2263624 | ANODIZED ALUMINUM 3/4" ROD, 22" | 1 |
| 386 | 2263107 | HEX NUT 3/4-10 NYLON | 1 |
| 388 | 2281929 | STABILIZER ARM BRACKET | 1 |
| 390 | 2260221 | VINYL CAP | 1 |
| 392 | 2223100 | NYLOCK STAINLESS STEEL NUT | 2 |
| 394 | 2263422 | SCREW - 5/16-18 X 1" | 2 |

▲ Not shown on Parts Diagram.

✘ This part is included in an assembly and cannot be ordered individually.

✚ Only available with models factory installed with Universal Sonar.

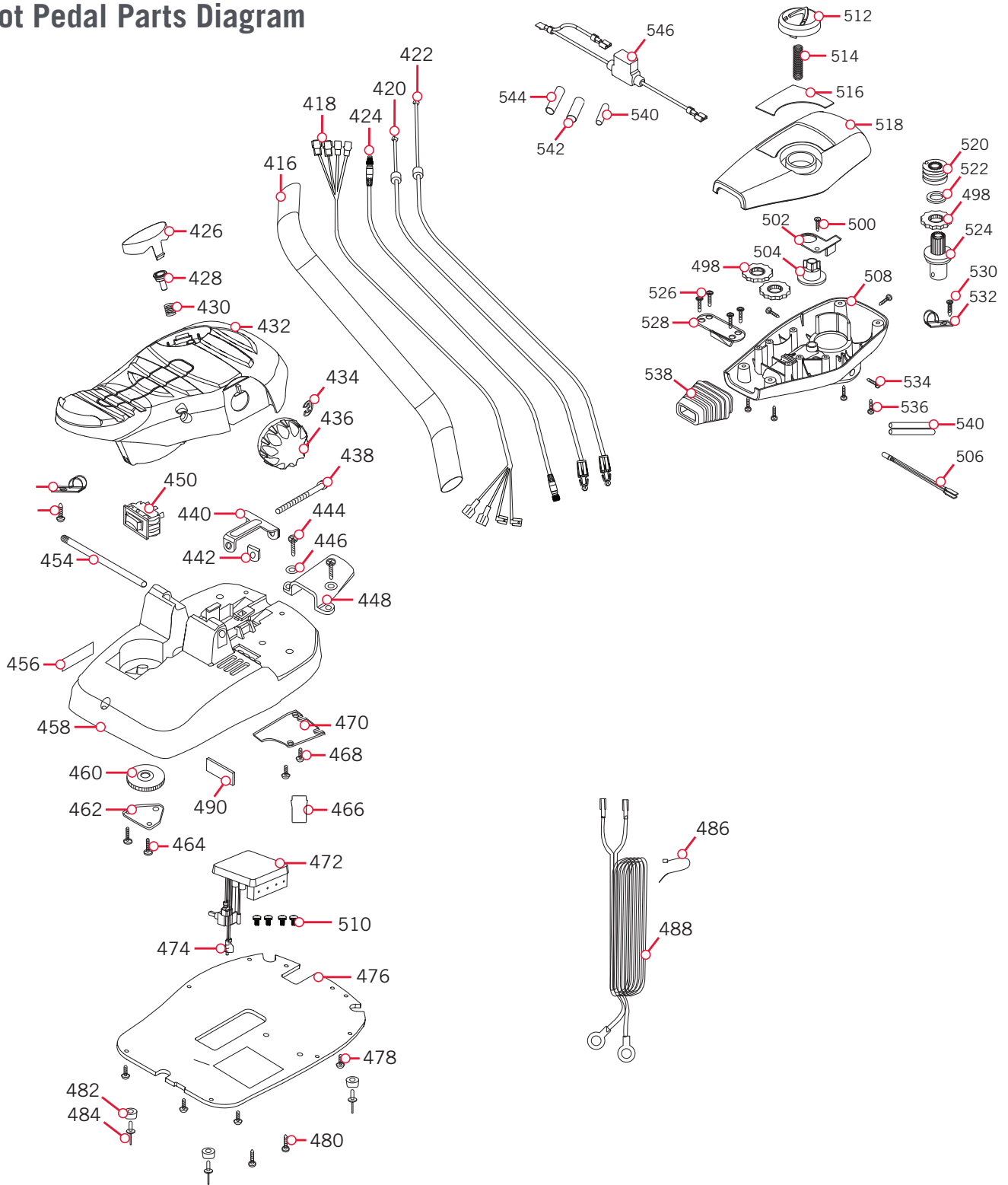
➔ Only available with models factory installed with Built-in MEGA Down Imaging.

☐ The Bow-Mount Stabilizer Assembly is not required or included on the 80lb 45" Fortrex.



FORTREX FOOT PEDAL

Foot Pedal Parts Diagram



PARTS DIAGRAM & PARTS LIST

Foot Pedal Parts List

| Item | Part # | Description | Quantity |
|------|------------|---|----------|
| 416 | 2265430 | CABLE JACKET, 5' | 1 |
| 418 | 2261220 | WIRE HARNESS, MAX | 1 |
| 420 | 2267505 | CABLE ASSEMBLY, RIGHT, 5' | 1 |
| 422 | 2267515 | CABLE ASSEMBLY, LEFT, 5' | 1 |
| 424 | 2211410 + | CABLE EXTENSION, US2 175" *US2 ONLY* | 1 |
| | 490507-2 → | CABLE, ADP-INT MDI 14 M12-174" *PRE-INSTALLED* | 1 |
| 426 | 2773705 | PUSH BUTTON W/ MAGNET | 1 |
| 428 | 2260810 | CLIP, REED SENSOR | 1 |
| 430 | 2302732 | SPRING, PEDAL BUTTON | 1 |
| 432 | 2994497 | FOOT PEDAL W/ PLUG | 1 |
| 434 | 2263000 | E-RING, KNOB | 1 |
| 436 | 2280115 | KNOB, SPEED CONTROL VARS | 1 |
| 438 | 2263466 | SCREW 1/4-20 X 2 | 1 |
| 440 | 2263210 | BRACKET, CONDUIT ADJUSTMENT | 1 |
| 442 | 2263140 | NYLOCK KEEPER | 1 |
| 444 | 2372100 | SCREW 8-18 X 5/8 | 2 |
| 446 | 2261714 | WASHER, MAX FOOT PEDAL | 2 |
| 448 | 2265115 | BOOT, FOOT PEDAL | 1 |
| 450 | 2254031 | SWITCH, MOM/OFF/CON | 1 |
| 452 | 2332103 | SCREW 6-20 X 3/8 | 1 |
| 454 | 2260511 | PIN, PIVOT, FOOT PEDAL | 1 |
| 456 | 2266610 | DECAL, ON/OFF SWITCH | 1 |
| 458 | 2992104 | FOOT PEDAL BASE | 1 |
| | 2994556 | ASSEMBLY, FT PED BASE/PIN | 1 |
| 460 | 2262301 | PULLY, FOOT PEDAL | 1 |
| 462 | 2266401 | COVER, PULLEY | 1 |
| 464 | 2301310 | SCREW 8-18 X 1/2 | 2 |
| 466 | 2266413 | TENSION SCREW PLATE | 1 |
| 468 | 2332103 | SCREW 6-20 X 3/8 | 2 |
| 470 | 2266412 | SWITCH PLATE, FOOT PEDAL | 1 |
| 472 | 2264056 | CONTROL BOARD MAX 24/36 *NON MDI* *NON US2* *US2* | 1 |
| | 2264066 | CONTROL BOARD MAX 24/36 *MDI* | 1 |
| 474 | 2884019 | SWITCH-REED, MAGNETIC W/CONNECTORS | 1 |
| 476 | 2264511 | BOTTOM PLATE, MAX | 1 |
| 478 | 2372100 | SCREW 8-18 X 5/8 | 5 |
| 480 | 2223455 | SCREW 10-32 X 1/2 ZP | 2 |

▲ Not shown on Parts Diagram.

* This part is included in an assembly and cannot be ordered individually.

+ Only available with models factory installed with Universal Sonar.

→ Only available with models factory installed with Built-in MEGA Down Imaging.

□ The Bow-Mount Stabilizer Assembly is not required or included on the 80lb 45" Fortrex.

PARTS DIAGRAM & PARTS LIST



| Item | Part # | Description | Quantity |
|------|---------|--------------------------------|----------|
| 482 | 2265126 | BUMPER PAD, FOOT PEDAL | 4 |
| 484 | 2378600 | POP RIVET, 3/16 X 3/4 ALUM | 4 |
| 486 | 2256300 | TIEWRAP | 1 |
| 488 | 2261238 | LEADWIRE | 1 |
| 490 | 2365107 | INSULATING PAD (2.3 X 3.2) | 1 |
| 492 | 2263201 | CLAMP WIRE HARNESS MICRO | 1 |
| 498 | 2267800 | GEAR, INDICATOR | 3 |
| 500 | 2301310 | SCREW 8-18 X 1/2 | 1 |
| 502 | 2261905 | BRACKET, INDICATOR | 1 |
| 504 | 2262221 | INDICATOR, DRIVE | 1 |
| 506 | 2264015 | LIGHT, INDICATOR | 1 |
| 508 | 2282500 | CONTROL BOX | 1 |
| 510 | 2263471 | SCREW #6-32 X 1/4" SEMS ZPS | 4 |
| 512 | 2990140 | INDICATOR ASSEMBLY | 1 |
| 514 | 2282730 | SPRING, INDICATOR | 1 |
| 516 | 2285621 | DECAL-COVER 80#, FW *80 LB* | 1 |
| | 2285623 | DECAL, COVER 112#, FW *112 LB* | 1 |
| 518 | 2280202 | COVER, CONTROL BOX | 1 |
| 520 | 2232360 | PULLEY, CABLE DRUM | 1 |
| | 2232361 | PULLEY, CABLE DRUM *MDI* | 1 |
| 522 | 2261730 | WASHER, NYLON | 1 |
| 524 | 2996247 | TOP BEARING, PINION DRIVE | 1 |
| 526 | 2223430 | SCREW 8 X 3/4 | 4 |
| 528 | 2261901 | BRACKET, CONDUIT | 1 |
| 530 | 2372100 | 8-18 X 5/8 | 1 |
| 532 | 2263201 | CLAMP, WIRE HARNESS | 1 |
| 534 | 2053414 | 8-32 X 1/2 TRI-LOBE | 3 |
| 536 | 2372100 | SCREW 8-18 X 2/8 | 4 |
| 538 | 2265110 | BOOT, CONTROL BOX | 1 |
| 540 | 2355410 | SHRINK TUBE 3/8 | 3 |
| 542 | 2335400 | SHRINK TUBE 1/2" OD X 2" | 2 |
| 544 | 2375400 | SHRINK TUBE 1/4" OD X 1 3/4" | 1 |
| 546 | 2218200 | FUSE HOLDER ASSEMBLY | 1 |

- ▲ Not shown on Parts Diagram.
- * This part is included in an assembly and cannot be ordered individually.
- + Only available with models factory installed with Universal Sonar.

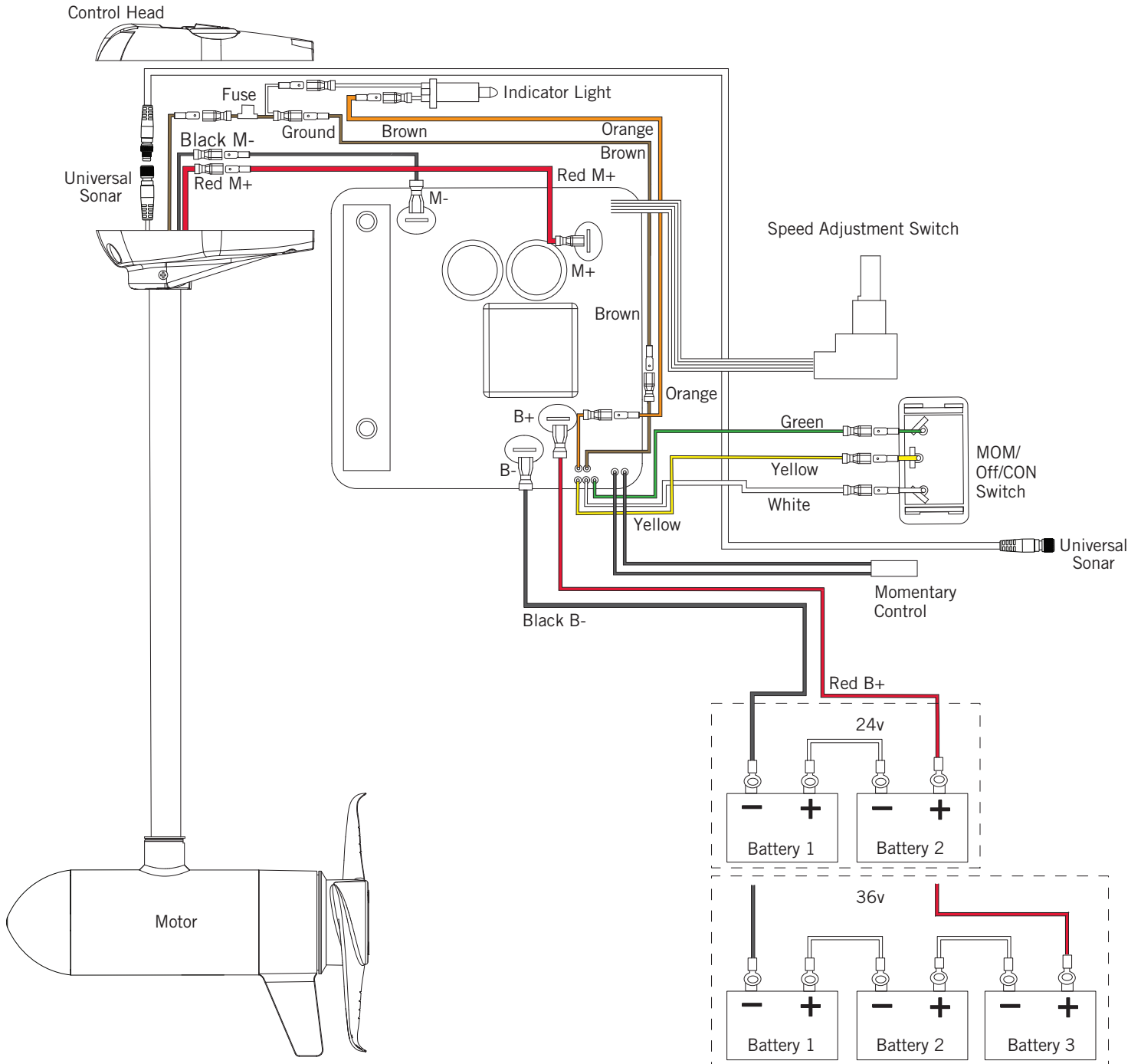
- ➔ Only available with models factory installed with Built-in MEGA Down Imaging.
- The Bow-Mount Stabilizer Assembly is not required or included on the 80lb 45" Fortrex.



MOTOR WIRING DIAGRAM

FORTREX

The following Motor Wiring Diagram applies to all Fortrex Foot Control models that do not come preinstalled with Built-in MEGA Down Imaging. Universal Sonar is an optional feature that may come factory installed.

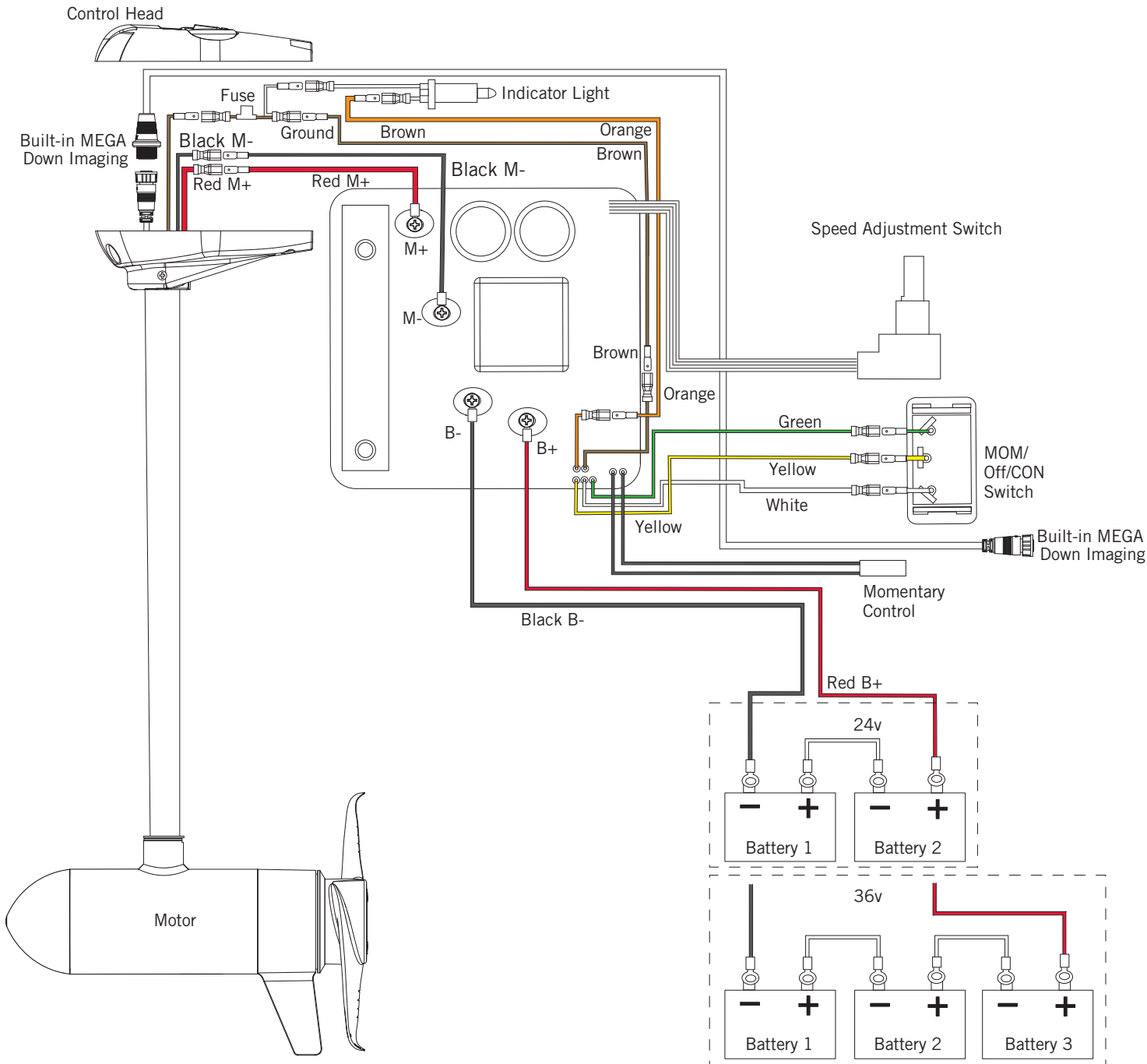


NOTICE: This is a multi-voltage diagram. Double-check your motor's voltage for proper connections. Over-Current Protection Devices are not shown in this illustration.

MOTOR WIRING DIAGRAM

FORTREX

The following Motor Wiring Diagram applies to all Fortrex Foot Control models that come preinstalled with Built-in MEGA Down Imaging.



NOTICE: This is a multi-voltage diagram. Double-check your motor's voltage for proper connections. Over-Current Protection Devices are not shown in this illustration.