

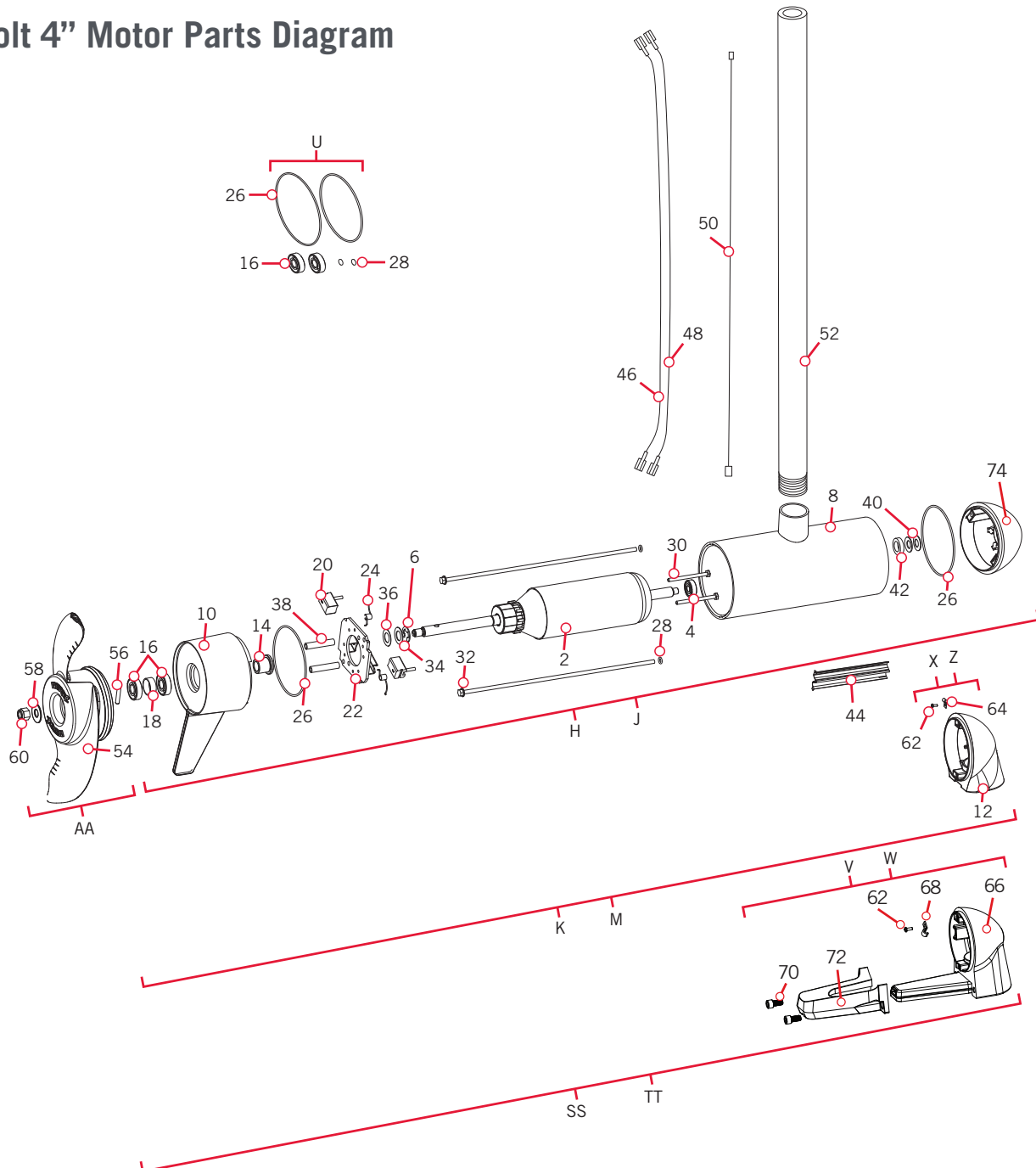
PARTS DIAGRAM & PARTS LIST

FORTREX - 80/112 LBS THRUST - 24/36 VOLT - 45"/52" SHAFT

The parts diagram and parts list provides Minn Kota® WEEE compliance disassembly instructions. For more information about where you should dispose of your waste equipment for recycling and recovery and/or your European Union member state requirements, please contact your dealer or distributor from which your product was purchased. Tools required, but not limited to: flat head screwdriver, Phillips screwdriver, socket set, pliers, wire cutters.

FORTREX MOTOR >

> 24 Volt 4" Motor Parts Diagram



PARTS DIAGRAM & PARTS LIST

▶ 24 Volt 4" Motor Parts List

Assembly	Part #	Description	Quantity
H	2417005	24V MOTOR 45" FW *80 LB* *24V* *45"* *4"*	1
J	2417006	MTR ASY 24V 4" VS FW 80 BS *24V* *4"*	1
K	2427005 +	24V MOTOR US2 45" *80 LB* *24V* *45"* *US2* *4"*	1
M	2427006 +	24V MOTOR US2 52" *80 LB* *24V* *52"* *US2* *4"*	1
U	2889460	SEAL & O-RING KIT *80 LB* *4"*	1
X	9421-244 +	TRANSDUCER ASSEMBLY *52"* *80 LB* *4"* *US2* *NON MDI*	1
Z	9421-288 +	TRANSDUCER ASSEMBLY *45"* *80 LB* *4.5"* *US2* *NON MDI*	1
AA	1378132	PROPELLER KIT WW2 *80 LB* 4"	1
SS	2437000 →	MTR ASY 24V 4" 80# CB FW *80LB* *45"* *MDI*	1
TT	2437001 →	MTR ASY 24V 4" 80# CB FW *80LB* *52"* *MDI*	1
V	2773007 →	FORTREX 80-52" MDI TRANSDUCER *MDI*	1
W	2773001 →	FORTREX 80-45" MDI TRANSDUCER *MDI*	1
Item	Part #	Description	Quantity
2	2-100-214	ARMATURE ASSEMBLY *80 LB*	1
4	140-010	BEARING *80 LB*	1
6	788-040	RETAINING RING	1
8	2-200-160	CENTER HOUSING ASSEMBLY *80 LB* *4"*	1
	2-200-130	CTR HSG ASY 4.0 CB FW MAG *80LB*	1
10	2-300-160	BRUSH END HSG ASY *80 LB* *4"*	1
12	✱ +	PLAIN END HOUSING ASSEMBLY STD *4"* *80 LB* *US2* • SEE X OR Z*	
14	144-017	FLANGE BEARING	1
16	880-025	SEAL	2
18	725-095	PAPER TUBE - SEAL BORE	1
20	188-094	BRUSH *80 LB*	2
22	9-738-015	BRUSH PLATE ASSEMBLY *4"*	1
24	975-041	BRUSH SPRING *80 LB*	2
26	701-043	O-RING, MOTOR *80 LB* *4"*	2
28	701-009	O-RING, THRU-BOLT	2
30	830-027	SCREW, 10-32 X 2 *80 LB*	2
32	830-094	THRU-BOLT 12-24	2
34	990-051	WASHER, STEEL	1
36	990-052	WASHER, NYLATRON	1
38	973-025	SPACER, BRUSH PLATE *80 LB*	2
40	992-010	WASHER, BELLEVILLE *80 LB*	2
42	990-045	SPACER, THRUST *80 LB*	1

▲ Not shown on Parts Diagram.

✱ This part is included in an assembly and cannot be ordered individually.

+ Only available with models factory installed with Universal Sonar.

→ Only available with models factory installed with Built-in MEGA Down Imaging.

□ The Bow-Mount Stabilizer Assembly is not required or included on the 80lb 45" Fortrex.

PARTS DIAGRAM & PARTS LIST



Item	Part #	Description	Quantity
44	582-013	CLIP, RETAINING, SHORT, US2 ONLY *80 LB*	1
46	640-015	LEADWIRE, BLACK *80 LB* *45"* *4"* *US2* *NON US2*	1
	640-016	LEADWIRE, BLK AWG 56 1/2 XLP *80LB* *45"* *MDI*	1
	640-017	LEADWIRE, BLACK *80 LB* *52"* *4"* *US2*	1
48	640-119	LEADWIRE, RED *80 LB* *45"* *US2* *NON US2*	1
	640-123	LEADWIRE, RED 10 AWG 64 XLP *4"* *52"* *80 LB* *US2*	1
	640-121	LEADWIRE, RED *80 LB* *52"* *4"* *US2*	1
50	640-315	BONDING WIRE, BROWN 45" *45"*	1
	640-316	BONDING WIRE, BROWN 52" *52"*	1
52	2032003	TUBE 45"	1
	2032006	TUBE 52"	1
54	2331160	PROPELLER *80LB* *4"*	1
56	2262658	DRIVE PIN, LARGE	1
58	2091701	WASHER, PROP, LARGE	1
60	2093101	NUT, NYLOCK, PROP, LARGE	1
▲	✘	TRANSDUCER ASSY 67" US2 W/T *45"* *SEE Z*	1
	✘	TRANSDUCER ASSY 73" US2 W/T *52"* *SEE X*	1
62	2302104	SCREW - #6-20 X 3/8 THD CUTS, RI	1
▲	✘	SCREW - #6-20 X 1/2 THD CUTS, RI	3
64	230-038 +	CABLE CLAMP	1
66	✘ →	PLAIN END HOUSING US2 52" *80 LB* *4"* *MDI* *SEE V OR W*	1
68	230-039 →	CABLE CLAMP, 1/4" STEEL	1
70	830-110 →	SCREW-5-16-18 X 5/8 SHCS SS	2
72	792-001 →	GUARD, TRANSDUCER, PNT 4.0 DI *80 LB* *4"*	1
74	421-276	HSG PLN END 4" PAINTED FW BS *80 LB*	1

▲ Not shown on Parts Diagram.

✘ This part is included in an assembly and cannot be ordered individually.

+ Only available with models factory installed with Universal Sonar.

→ Only available with models factory installed with Built-in MEGA Down Imaging.

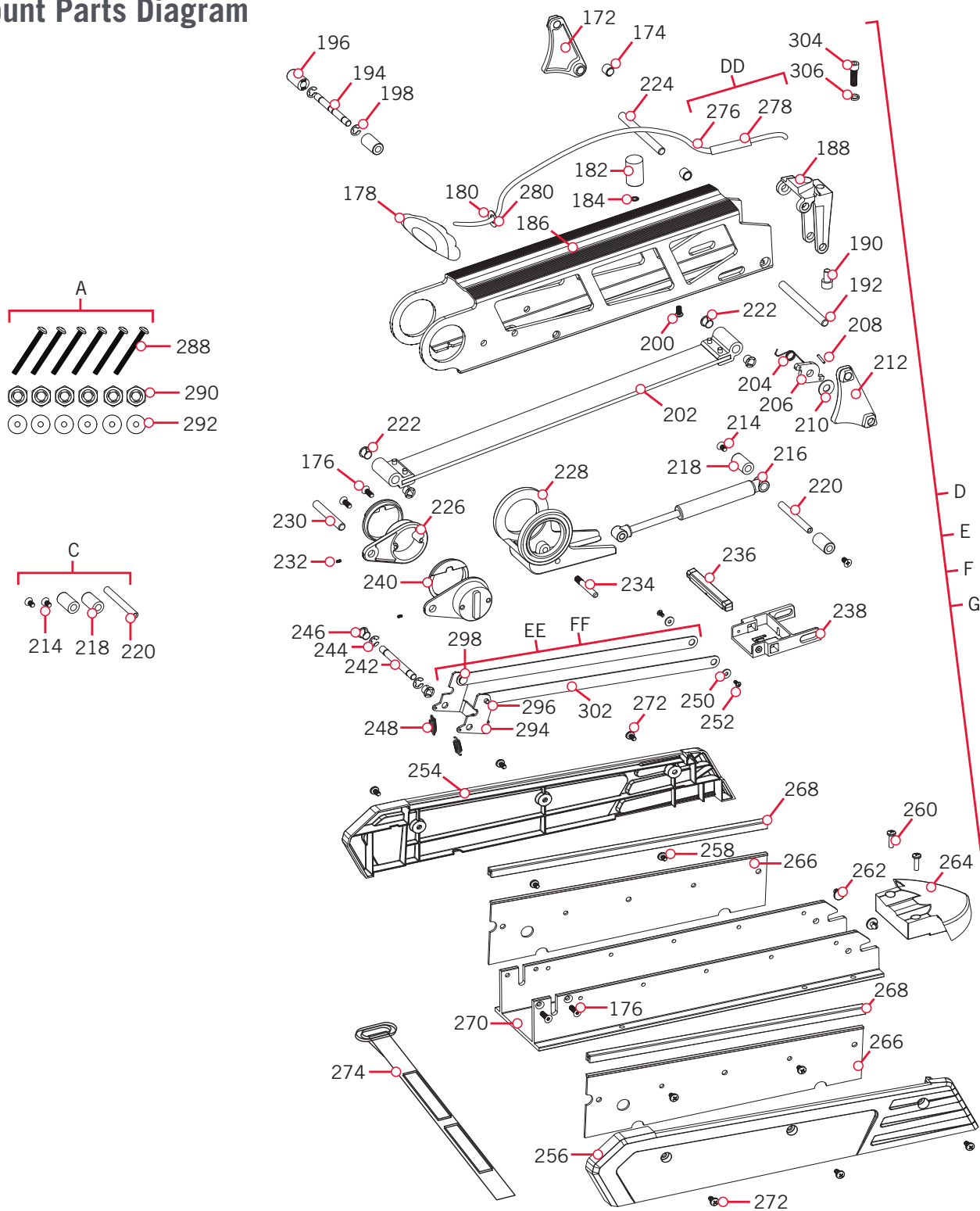
□ The Bow-Mount Stabilizer Assembly is not required or included on the 80lb 45" Fortrex.



PARTS DIAGRAM & PARTS LIST

FORTREX MOUNT

Mount Parts Diagram



PARTS DIAGRAM & PARTS LIST

Mount Parts List

Assembly	Part #	Description	Quantity
D	2991650	MNT FW 80# 45", 112#/HC 52" *80 LB 45"* *112 LB 52"*	1
E	2991652	MNT ASM FTX FW 80# 52/62" *80 LB 52"* *80 LB 62"*	1
F	2991653	MNT ASM FTX FW 112# 45" *112 LB 45"*	1
G	2991654	MNT ASM FTX FW 112# 52" *112 LB 52"*	1
DD	2771601	ROPE ASSEMBLY	1
EE	2773600	LATCH STRAP ASSEMBLY, SHORT	1
FF	2773601	LATCH STRAP ASSEMBLY, LONG	1
A	2994887	MOUNTING HARDWARE BAG ASSY	1
C	2991912	BAG, ASSY. FORTREX MOUNT HDW	1
Item	Part #	Description	Quantity
172	2280800	LINK, BOWGUARD MOUNT, LEFT	1
	2990810	END LINK, LEFT, MACHINED *112 LB 62" ONLY*	1
174	2287303	BUSHING, UPPER PINS	2
176	2283411	SCREW, 1/4-20 X 1" FHS RIE TORX	4
178	2880401	PULL GRIP ASSEMBLY	1
180	2261732	WASHER	2
182	2281516	SPACER, INNER ARM	1
184	2281702	WASHER, LOCK 1/4	1
186	2284202	OUTER ARM, SHORT	1
	2284212	OUTER ARM, LONG	1
188	2992322	ROPE GUIDE ASSEMBLY *INCLUDES THREADED INSERT*	1
190	2281530	INSERT, THREADED	1
192	2282608	PIN, 7/16 X 5 5/32 - 52"	1
194	2282602	PIN, 3/8 X 3 3/4" SS	1
196	2261505	SPACER	2
198	2263011	E-RING, 3/8 SHAFT	2
200	2223418	SCREW, 1/4-20 X 1/2 BHCS	1
202	2993821	INNER ARM ASSEMBLY, LONG	1
	2993819	INNER ARM ASSEMBLY, SHORT	1
204	2042711	SPRING, TORSION	1
206	2283620	LATCH, SAFETY	1
208	2282611	PIN, SAFETY LATCH	1
210	2281704	WASHER 7/16 NYLON	1
212	2280805	LINK, BOWGUARD MOUNT, RIGHT	1
	2990815	END LINK, RIGHT, MACHINED *112 LB 62" ONLY*	1

▲ Not shown on Parts Diagram.

✳ This part is included in an assembly and cannot be ordered individually.

✚ Only available with models factory installed with Universal Sonar.

➔ Only available with models factory installed with Built-in MEGA Down Imaging.

☐ The Bow-Mount Stabilizer Assembly is not required or included on the 80lb 45" Fortrex.

PARTS DIAGRAM & PARTS LIST



Item	Part #	Description	Quantity
214	2283410	SCREW 1/4-20 X 1/2 PFH	2
216	2288403	GAS SPRING (CYLINDER) *ASSEMBLY D* *80# 45"*	1
	2288404	GAS SPRING (CYLINDER) *ASSEMBLY E* *80# 52"62"*	1
	2288405	GAS SPRING (CYLINDER) *ASSEMBLY F* *ASSEMBLY G* *112#*	1
218	2281710	SPACER, GAS SPRING	2
220	2282610	PIN, UPPER, SHOCK	1
222	2280005	BEARING, NYLINER 7/16"	4
224	2282600	PIN, 7/16 X 4 7/8	1
226	2281932	BRACKET, REAR PIVOT	2
228	2281501	YOKE, SHOCK MOUNT	1
230	2282606	PIN, 7/16 X 3 1/8	1
232	2283402	SCREW, SET, 6-32 X 1/4	2
234	2282604	PIN, KNURLED 5/16 X 2	1
236	2283615	LATCH BAR	1
	2283616	LATCH BAR	1
238	2283610	BRACKET - LATCH/STRAP, ROPE PULL	1
240	2287300	BUSHING, REAR PIVOT	2
242	2282602	PIN, 3/8 X 3 3/4	1
244	2263011	E-RING, 3/8 SHAFT	2
246	2280008	BEARING, IGLIDE	2
248	2282720	SPRING, EXTENSION	2
250	2261732	WASHER 8, NYLON	2
252	2373450	SCREW 8-18 X 3/8	2
254	2283937	SIDEPLATE, LEFT, SHORT, FW	1
	2283947	SIDEPLATE, LEFT, LONG, FW	1
256	2283932	SIDEPLATE, RIGHT, SHORT, FW	1
	2283942	SIDEPLATE, RIGHT, LONG, FW	1
258	2323403	SCREW-1/4-20 X .375 MCH SS CRPH	4
260	2073408	SCREW 1/4-20 X 7/8	2
262	2286700	PLUG, SPACER	2
264	2283900	RAMP, MOTOR	1
266	2283631	RAIL, MACH., MOTOR REST	2
268	2286400	COVER, RAIL, MOTOR REST (SUB)	2
270	2281903	BASE-EXTRUSION, SHORT, MACH	1
	2281913	BASE-EXTRUSION, LONG, MACH	1
272	2323405	SCREW 1/4-20 X 1/2	8
274	2773806	STRAP HOLD DOWN	1

- ▲ Not shown on Parts Diagram.
- * This part is included in an assembly and cannot be ordered individually.
- + Only available with models factory installed with Universal Sonar.

- ➔ Only available with models factory installed with Built-in MEGA Down Imaging.
- The Bow-Mount Stabilizer Assembly is not required or included on the 80lb 45" Fortrex.



PARTS DIAGRAM & PARTS LIST



Item	Part #	Description	Quantity
276	✘	ROPE, MAXXUW MNT	1
278	✘	SHRINK TUBE .252 FD, ADHES	1
280	✘	WASHER - EYE SHAFT (.562 OD) SS	1
▲	2287100	MANUAL FORTREX FC FW	1
▲	2217110	MANUAL - UWV. SONAR	1
▲	2284912	PARTS LIST, FRTRX 112/FC 52"	1
288	2263468	SCREW -1/4-20 X 2.5" S/S PPH	6
290	2263103	NUT-1/4-20 NYLOCK SS	6
292	2261713	WASHER-1/4 FLAT 18-8 SS	6
294	✘	BRACKET, LATCH *SEE EE OR FF*	1
296	2288610	RIVET, SHLDR 5/16" X .159" SS	2
298	2280006	BEARING, NYLINER 5/16"	2
▲	2284911	PARTS LIST, FORTREX 112 FC 45"	1
302	✘	LATCH, STRAP, SHORT *SEE EE*	2
	✘	LATCH, STRAP, LONG *SEE FF*	2
304	2283414	SCREW 5/16-18 SHCS, RIE	1
306	2281700	WASHER 5/16 LOCK	1

- ▲ Not shown on Parts Diagram.
- ✘ This part is included in an assembly and cannot be ordered individually.
- ✘ Only available with models factory installed with Universal Sonar.

- ➔ Only available with models factory installed with Built-in MEGA Down Imaging.
- ☐ The Bow-Mount Stabilizer Assembly is not required or included on the 80lb 45" Fortrex.

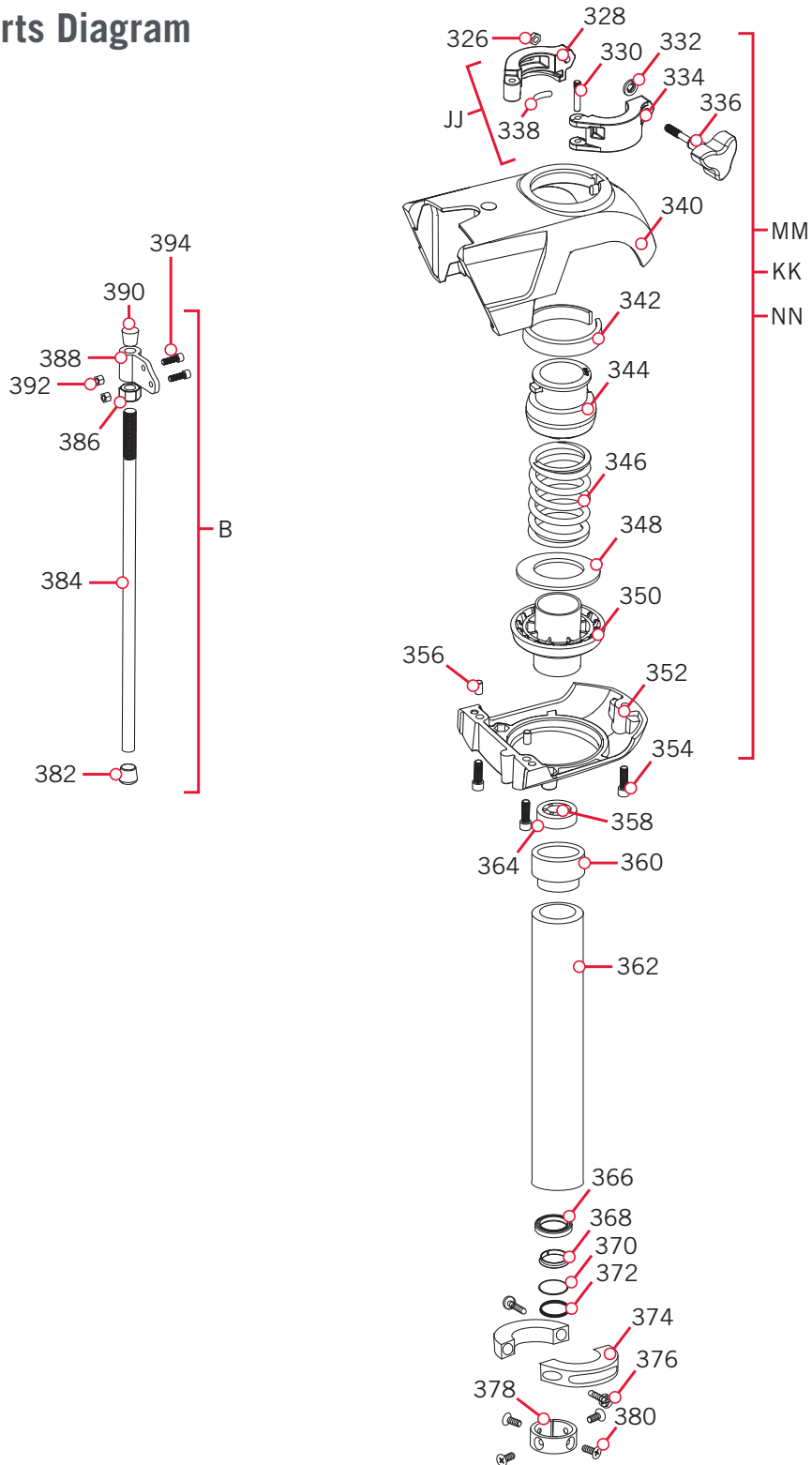


PARTS DIAGRAM & PARTS LIST



FORTREX BOWGUARD >

> Bowguard Parts Diagram



PARTS DIAGRAM & PARTS LIST

► Bowguard Parts List

Assembly	Part #	Description	Quantity
JJ	2991550	CLAMP COLLAR ASSEMBLY	1
KK	2991753	BOWGUARD ASSEMBLY *112 LB 52"*	1
MM	2991754	BOWGUARD ASSEMBLY *80 LB 52"* *80 LB 45"*	1
NN	2991755	BOWGUARD ASSEMBLY *112 LB 45"* *80 LB 62"*	1
B	2991925 □	BRACKET STABILIZER ASSEMBLY	1
Item	Part #	Description	Quantity
326	2073102	NUT, 1/4-28 SS	1
328	✘	COLLAR CLAMP, "A" SIDE *SEE JJ*	1
330	2072621	PIN, KNURLED	1
332	2071718	WASHER #10 NYLON RETAINING	1
334	✘	COLLAR CLAMP, "B" SIDE *SEE JJ*	1
336	2281505	KNOB - SOFT GRIP, FW	1
338	2075120	PAD, URETHANE, DEPTH COLLAR	1
340	2281952	BRACKET, TOP	1
342	2280001	BEARING, TOP BRACKET	1
344	2071541	SPRING SLEEVE, UPPER	1
346	2282700	SPRING, BOWGUARD 80	1
	2282704	SPRING, BOWGUARD 112	1
348	2281525	SPACER, SPRING 62" ONLY	1
350	2281520	SPRING SLEEVE, LOWER *80 LB 52"* *80 LB 45"*	1
	2071535	SPRING SLEEVE, LOWER *80 LB 62"* *112 LB 45"*	1
	2281540	SPRING SLEEVE, LOWER *112 LB 52"*	1
352	2991728	BRACKET, BOTTOM *80 LB 52"* *80 LB 45"*	1
	2991730	BRACKET, BOTTOM *112 LB 52"* *112 LB 45"* *80 LB 62"*	1
354	2283413	SCREW 3/8-16 X 1 SHCS, RIE	3
356	2282612	PIN, SPRING 5/16" SS	2
358	2266000	BEARING, BALL, STEEL	1
360	2266260	BEARING RACE	1
362	2772085	TUBE W/ BEARING RACE 21" *80 LB 45"* *112 LB 45"*	1
	2772086	TUBE W/BEARING RACE 24" *80 LB 52"*	1
	2772092	TUBE W/BEARING RACE 24"*112 LB 52"*	1
	2772088	TUBE W/BEARING RACE 28.5" *80 LB 62"*	1
364	2267307	BUSHING OUTER TUBE	1
366	2266116	BEARING, CARTRIDGE	1
368	2266001	BEARING, SPLIT RING	1
370	2284600	O-RING	1

▲ Not shown on Parts Diagram.

✘ This part is included in an assembly and cannot be ordered individually.

✚ Only available with models factory installed with Universal Sonar.

➔ Only available with models factory installed with Built-in MEGA Down Imaging.

□ The Bow-Mount Stabilizer Assembly is not required or included on the 80lb 45" Fortrex.

PARTS DIAGRAM & PARTS LIST



Item	Part #	Description	Quantity
372	2281706	WASHER-NYLATRON	1
374	2261622	COLLAR HALF	2
376	2263453	SCREW, 1/4-20 X 1 SHCS	2
378	2071560	COLLAR, TUBE	1
380	2223468	SCREW 8-32 X 7/16 FLT HD	4
382	2265100	BUMPER (CRUTCH TIP)	1
384	2263624	ANODIZED ALUMINUM 3/4" ROD, 22"	1
386	2263107	HEX NUT 3/4-10 NYLON	1
388	2281929	STABILIZER ARM BRACKET	1
390	2260221	VINYL CAP	1
392	2223100	NYLOCK STAINLESS STEEL NUT	2
394	2263422	SCREW - 5/16-18 X 1"	2

▲ Not shown on Parts Diagram.

✘ This part is included in an assembly and cannot be ordered individually.

✚ Only available with models factory installed with Universal Sonar.

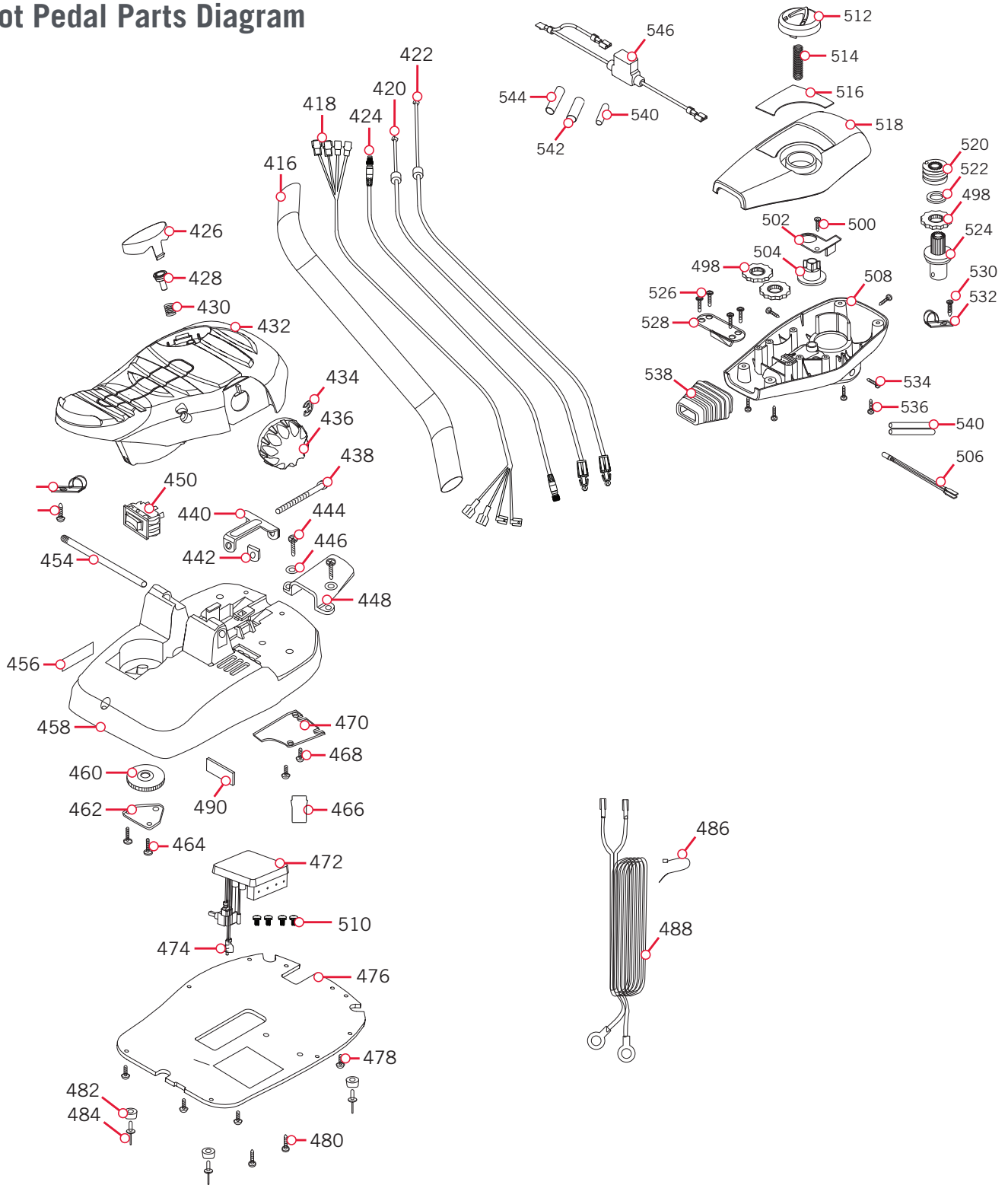
➔ Only available with models factory installed with Built-in MEGA Down Imaging.

☐ The Bow-Mount Stabilizer Assembly is not required or included on the 80lb 45" Fortrex.



FORTREX FOOT PEDAL

Foot Pedal Parts Diagram



PARTS DIAGRAM & PARTS LIST

Foot Pedal Parts List

Item	Part #	Description	Quantity
416	2265430	CABLE JACKET, 5'	1
418	2261220	WIRE HARNESS, MAX	1
420	2267505	CABLE ASSEMBLY, RIGHT, 5'	1
422	2267515	CABLE ASSEMBLY, LEFT, 5'	1
424	2211410 +	CABLE EXTENSION, US2 175" *US2 ONLY*	1
	490507-2 →	CABLE, ADP-INT MDI 14 M12-174" *PRE-INSTALLED*	1
426	2773705	PUSH BUTTON W/ MAGNET	1
428	2260810	CLIP, REED SENSOR	1
430	2302732	SPRING, PEDAL BUTTON	1
432	2994497	FOOT PEDAL W/ PLUG	1
434	2263000	E-RING, KNOB	1
436	2280115	KNOB, SPEED CONTROL VARS	1
438	2263466	SCREW 1/4-20 X 2	1
440	2263210	BRACKET, CONDUIT ADJUSTMENT	1
442	2263140	NYLOCK KEEPER	1
444	2372100	SCREW 8-18 X 5/8	2
446	2261714	WASHER, MAX FOOT PEDAL	2
448	2265115	BOOT, FOOT PEDAL	1
450	2254031	SWITCH, MOM/OFF/CON	1
452	2332103	SCREW 6-20 X 3/8	1
454	2260511	PIN, PIVOT, FOOT PEDAL	1
456	2266610	DECAL, ON/OFF SWITCH	1
458	2992104	FOOT PEDAL BASE	1
	2994556	ASSEMBLY, FT PED BASE/PIN	1
460	2262301	PULLY, FOOT PEDAL	1
462	2266401	COVER, PULLEY	1
464	2301310	SCREW 8-18 X 1/2	2
466	2266413	TENSION SCREW PLATE	1
468	2332103	SCREW 6-20 X 3/8	2
470	2266412	SWITCH PLATE, FOOT PEDAL	1
472	2264056	CONTROL BOARD MAX 24/36 *NON MDI* *NON US2* *US2*	1
	2264066	CONTROL BOARD MAX 24/36 *MDI*	1
474	2884019	SWITCH-REED, MAGNETIC W/CONNECTORS	1
476	2264511	BOTTOM PLATE, MAX	1
478	2372100	SCREW 8-18 X 5/8	5
480	2223455	SCREW 10-32 X 1/2 ZP	2

▲ Not shown on Parts Diagram.

* This part is included in an assembly and cannot be ordered individually.

+ Only available with models factory installed with Universal Sonar.

→ Only available with models factory installed with Built-in MEGA Down Imaging.

□ The Bow-Mount Stabilizer Assembly is not required or included on the 80lb 45" Fortrex.

PARTS DIAGRAM & PARTS LIST



Item	Part #	Description	Quantity
482	2265126	BUMPER PAD, FOOT PEDAL	4
484	2378600	POP RIVET, 3/16 X 3/4 ALUM	4
486	2256300	TIEWRAP	1
488	2261238	LEADWIRE	1
490	2365107	INSULATING PAD (2.3 X 3.2)	1
492	2263201	CLAMP WIRE HARNESS MICRO	1
498	2267800	GEAR, INDICATOR	3
500	2301310	SCREW 8-18 X 1/2	1
502	2261905	BRACKET, INDICATOR	1
504	2262221	INDICATOR, DRIVE	1
506	2264015	LIGHT, INDICATOR	1
508	2282500	CONTROL BOX	1
510	2263471	SCREW #6-32 X 1/4" SEMS ZPS	4
512	2990140	INDICATOR ASSEMBLY	1
514	2282730	SPRING, INDICATOR	1
516	2285621	DECAL-COVER 80#, FW *80 LB*	1
	2285623	DECAL, COVER 112#, FW *112 LB*	1
518	2280202	COVER, CONTROL BOX	1
520	2232360	PULLEY, CABLE DRUM	1
	2232361	PULLEY, CABLE DRUM *MDI*	1
522	2261730	WASHER, NYLON	1
524	2996247	TOP BEARING, PINION DRIVE	1
526	2223430	SCREW 8 X 3/4	4
528	2261901	BRACKET, CONDUIT	1
530	2372100	8-18 X 5/8	1
532	2263201	CLAMP, WIRE HARNESS	1
534	2053414	8-32 X 1/2 TRI-LOBE	3
536	2372100	SCREW 8-18 X 2/8	4
538	2265110	BOOT, CONTROL BOX	1
540	2355410	SHRINK TUBE 3/8	3
542	2335400	SHRINK TUBE 1/2" OD X 2"	2
544	2375400	SHRINK TUBE 1/4" OD X 1 3/4"	1
546	2218200	FUSE HOLDER ASSEMBLY	1

- ▲ Not shown on Parts Diagram.
- * This part is included in an assembly and cannot be ordered individually.
- + Only available with models factory installed with Universal Sonar.

- ➔ Only available with models factory installed with Built-in MEGA Down Imaging.
- The Bow-Mount Stabilizer Assembly is not required or included on the 80lb 45" Fortrex.

