

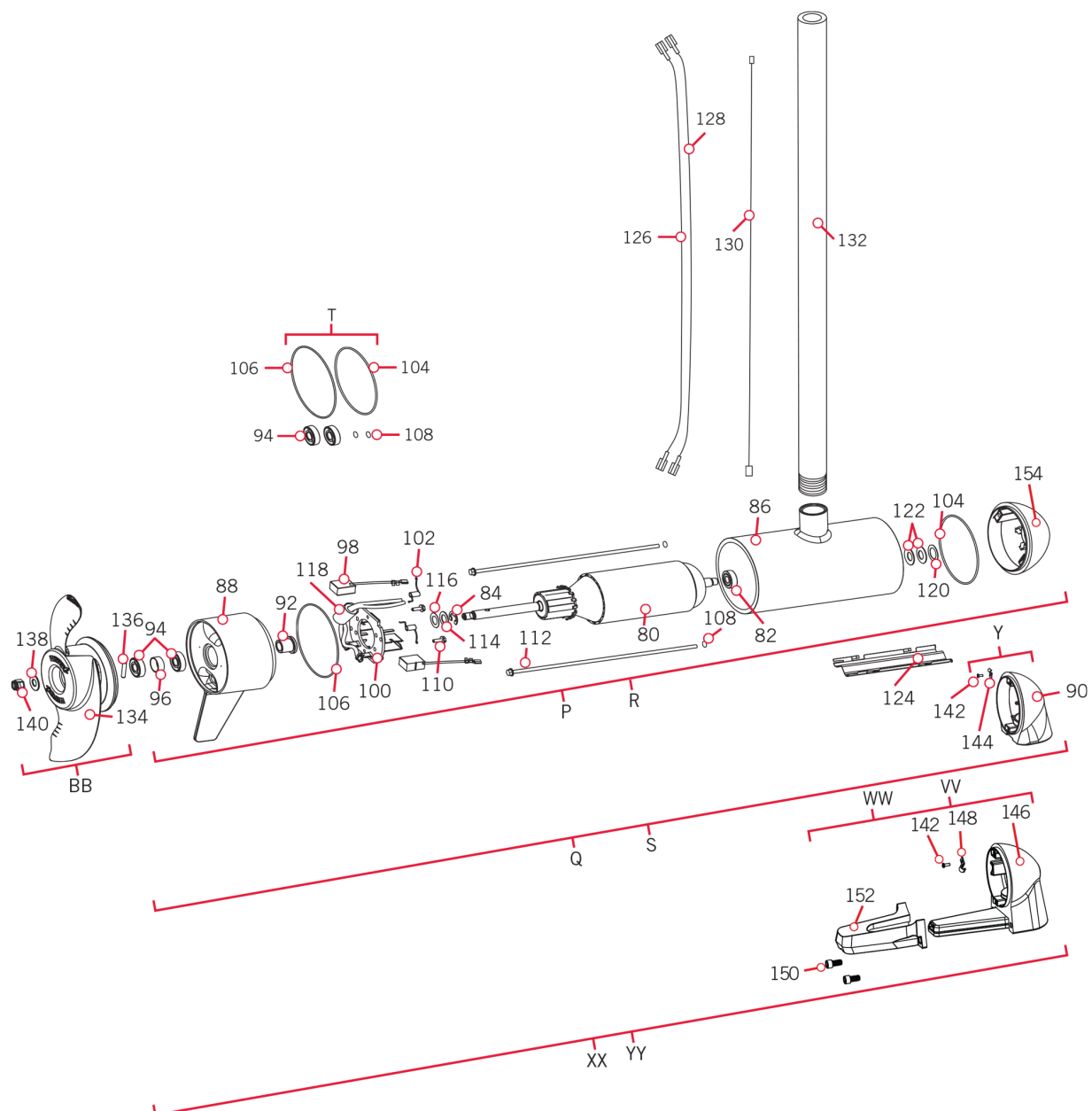
# PARTS DIAGRAM & PARTS LIST

## FORTREX - 80/112 LBS THRUST - 24/36 VOLT - 45"/52" SHAFT

The parts diagram and parts list provides Minn Kota® WEEE compliance disassembly instructions. For more information about where you should dispose of your waste equipment for recycling and recovery and/or your European Union member state requirements, please contact your dealer or distributor from which your product was purchased. Tools required, but not limited to: flat head screwdriver, Phillips screwdriver, socket set, pliers, wire cutters.

### FORTREX MOTOR

#### 36 Volt 4.5" Motor Parts Diagram



# PARTS DIAGRAM & PARTS LIST

## › 36 Volt 4.5" Motor Parts List

Assembly	Part #	Description	Quantity
P	2317081	36V MOTOR 52" FW *112 LB* *36V* *52"* *4.5"*	1
Q	2327081 +	36V MOTOR US2 52" *112 LB* *36V* *US2* *52"* *4.5"*	1
R	2317080 +	36V MOTOR 45" *112 LB* *36V* *45"* *4.5"*	1
S	2327080 +	36V MOTOR US2 45" *112 LB* *36V* *US2* *45"* *4.5"*	1
T	2881450	SEAL & O-RING KIT *4.5"* *112 LB*	1
Y	9421-245 +	TRANSDUCER ASSEMBLY *UP TO 52"* *112 LB* *4.5"* *US2* *NON MDI*	1
BB	1378160	PROPELLER KIT WW2 *112 LB* *4.5"*	1
XX	2437011 →	MTR ASY 36V 4.5" 112# MDI FW *MDI* *52"*	1
YY	2437010 →	MTR ASY 36V 4.5" 112# MDI FW *MDI* *45"*	1
VV	2773002 →	FORTREX 112-52" MDI TRANSDUCER *MDI* *52"*	1
WW	2773008 →	FORTREX 112-45" MDI TRANSDUCER *MDI* *45"*	1
Item	Part #	Description	Quantity
80	2-100-245	ARMATURE ASSEMBLY *112 LB*	1
82	140-014	BEARING *112 LB*	1
84	788-040	RETAINING RING	1
86	2-200-240	CENTER HOUSING ASSEMBLY *4.5"* *112 LB*	1
88	2-300-155	BRUSH END HSG ASY 4.5" FW *4.5"* *112 LB*	1
90	✖ +	PLAIN END HOUSING ASSEMBLY STD *4.5"* *112 LB* *US2* *SEE Y*	1
92	144-017	FLANGE BEARING	1
94	880-025	SEAL	2
96	725-095	PAPER TUBE - SEAL BORE	1
98	188-095	BRUSH *112 LB*	2
100	9-738-015	BRUSH PLATE ASSEMBLY *4.5"*	1
102	975-045	BRUSH SPRING *112 LB*	2
104	701-098	O-RING, PLAIN END *4.5"* *112 LB*	1
106	701-103	O-RING, 103 MM X 3.00 MM, 70 BUNA *4.5"*	1
108	701-009	O-RING, THRU-BOLT	2
110	2053410	SCREW, 8-32 X 1/2 *112 LB*	2
112	830-094	THRU-BOLT 12-24	2
114	990-051	WASHER, STEEL	1
116	990-052	WASHER, NYLATRON	1
118	2307312	FERRITE BEAD	1
120	990-011	WASHER, SHIM	1
122	992-011	WASHER, BELLEVILLE *112 LB*	2
124	582-016	CLIP, RETAINING *112 LB*	1

▲ Not shown on Parts Diagram.

✖ This part is included in an assembly and cannot be ordered individually.

+ Only available with models factory installed with Universal Sonar.

→ Only available with models factory installed with Built-in MEGA Down Imaging.

□ The Bow-Mount Stabilizer Assembly is not required or included on the 80lb 45" Fortrex.

# PARTS DIAGRAM & PARTS LIST



Item	Part #	Description	Quantity
126	640-040	LEADWIRE, BLACK 45" *112 LB* *4.5"* *45"* *US2* *NON US2*	1
	640-043	LEADWIRE, BLACK 52" *112 LB* *52"* *4.5"* *US2* *NON US2*	1
128	640-140	LEADWIRE, RED 45" *112 LB* *4.5"* *45"* *US2* *NON US2*	1
	640-143	LEADWIRE, RED 52" *112 LB* *52"* *4.5"* *US2* *NON US2*	1
130	640-315	BONDING WIRE, BROWN 45" *45"*	1
	640-316	BONDING WIRE, BROWN 52" *52"*	1
132	2032003	TUBE 45"	1
	2032006	TUBE 52"	1
134	2341160	PROPELLER WW2 *112LB* *4.5"*	1
136	2262658	DRIVE PIN, LARGE	1
138	2091701	WASHER, PROP, LARGE	1
140	2093101	NUT, NYLOCK, PROP, LARGE	1
▲	✘	TRANSDUCER ASSY US2 W/T *45"*	1
	✘	TRANSDUCER ASSY US2 W/T *52"*	1
142	2302104 +	SCREW - #6-20 X 3/8 THD CUTS, RI	1
▲	✘	SCREW - #6-20 X 1/2 THD CUTS, RI	3
144	230-038	CABLE CLAMP	1
146	✘ →	PLAIN END HOUSING US2 52" *4.5"* *112 LB* *MDI* *SEE WW OR VV*	1
148	230-039 →	CABLE CLAMP, 1/4" STEEL	1
150	830-110 →	SCREW-5-16-18 X 5/8 SHCS SS	2
152	792-005 →	GUARD, TRANSDUCER, PNT 4.5 DI *112 LB* *4.5"*	1
154	421-240	PLAIN END HSG 4.5" PNTD FW 4.5" LOWER UNIT *112 LB*	1

▲ Not shown on Parts Diagram.

✘ This part is included in an assembly and cannot be ordered individually.

+ Only available with models factory installed with Universal Sonar.

→ Only available with models factory installed with Built-in MEGA Down Imaging.

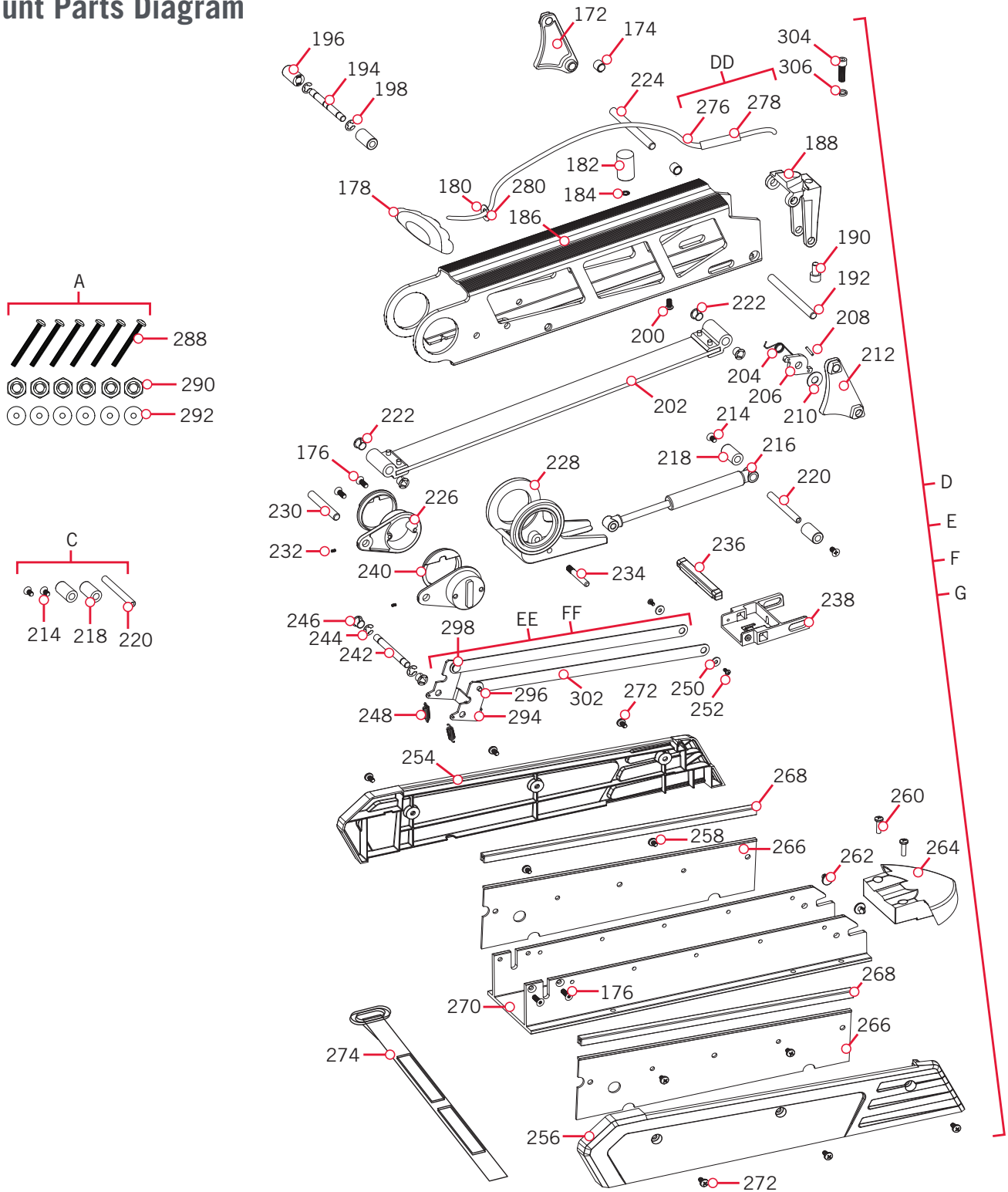
□ The Bow-Mount Stabilizer Assembly is not required or included on the 80lb 45" Fortrex.



# PARTS DIAGRAM & PARTS LIST

## FORTREX MOUNT

### Mount Parts Diagram



# PARTS DIAGRAM & PARTS LIST

## Mount Parts List

Assembly	Part #	Description	Quantity
D	2991650	MNT FW 80# 45", 112#/HC 52" *80 LB 45"* *112 LB 52"*	1
E	2991652	MNT ASM FTX FW 80# 52/62" *80 LB 52"* *80 LB 62"*	1
F	2991653	MNT ASM FTX FW 112# 45" *112 LB 45"*	1
G	2991654	MNT ASM FTX FW 112# 52" *112 LB 52"*	1
DD	2771601	ROPE ASSEMBLY	1
EE	2773600	LATCH STRAP ASSEMBLY, SHORT	1
FF	2773601	LATCH STRAP ASSEMBLY, LONG	1
A	2994887	MOUNTING HARDWARE BAG ASSY	1
C	2991912	BAG, ASSY. FORTREX MOUNT HDW	1
Item	Part #	Description	Quantity
172	2280800	LINK, BOWGUARD MOUNT, LEFT	1
	2990810	END LINK, LEFT, MACHINED *112 LB 62" ONLY*	1
174	2287303	BUSHING, UPPER PINS	2
176	2283411	SCREW, 1/4-20 X 1" FHS RIE TORX	4
178	2880401	PULL GRIP ASSEMBLY	1
180	2261732	WASHER	2
182	2281516	SPACER, INNER ARM	1
184	2281702	WASHER, LOCK 1/4	1
186	2284202	OUTER ARM, SHORT	1
	2284212	OUTER ARM, LONG	1
188	2992322	ROPE GUIDE ASSEMBLY *INCLUDES THREADED INSERT*	1
190	2281530	INSERT, THREADED	1
192	2282608	PIN, 7/16 X 5 5/32 - 52"	1
194	2282602	PIN, 3/8 X 3 3/4" SS	1
196	2261505	SPACER	2
198	2263011	E-RING, 3/8 SHAFT	2
200	2223418	SCREW, 1/4-20 X 1/2 BHCS	1
202	2993821	INNER ARM ASSEMBLY, LONG	1
	2993819	INNER ARM ASSEMBLY, SHORT	1
204	2042711	SPRING, TORSION	1
206	2283620	LATCH, SAFETY	1
208	2282611	PIN, SAFETY LATCH	1
210	2281704	WASHER 7/16 NYLON	1
212	2280805	LINK, BOWGUARD MOUNT, RIGHT	1
	2990815	END LINK, RIGHT, MACHINED *112 LB 62" ONLY*	1

▲ Not shown on Parts Diagram.

✳ This part is included in an assembly and cannot be ordered individually.

✚ Only available with models factory installed with Universal Sonar.

➔ Only available with models factory installed with Built-in MEGA Down Imaging.

☐ The Bow-Mount Stabilizer Assembly is not required or included on the 80lb 45" Fortrex.

# PARTS DIAGRAM & PARTS LIST



Item	Part #	Description	Quantity
214	2283410	SCREW 1/4-20 X 1/2 PFH	2
216	2288403	GAS SPRING (CYLINDER) *ASSEMBLY D* *80# 45"*	1
	2288404	GAS SPRING (CYLINDER) *ASSEMBLY E* *80# 52"62"*	1
	2288405	GAS SPRING (CYLINDER) *ASSEMBLY F* *ASSEMBLY G* *112#*	1
218	2281710	SPACER, GAS SPRING	2
220	2282610	PIN, UPPER, SHOCK	1
222	2280005	BEARING, NYLINER 7/16"	4
224	2282600	PIN, 7/16 X 4 7/8	1
226	2281932	BRACKET, REAR PIVOT	2
228	2281501	YOKE, SHOCK MOUNT	1
230	2282606	PIN, 7/16 X 3 1/8	1
232	2283402	SCREW, SET, 6-32 X 1/4	2
234	2282604	PIN, KNURLED 5/16 X 2	1
236	2283615	LATCH BAR	1
	2283616	LATCH BAR	1
238	2283610	BRACKET - LATCH/STRAP, ROPE PULL	1
240	2287300	BUSHING, REAR PIVOT	2
242	2282602	PIN, 3/8 X 3 3/4	1
244	2263011	E-RING, 3/8 SHAFT	2
246	2280008	BEARING, IGLIDE	2
248	2282720	SPRING, EXTENSION	2
250	2261732	WASHER 8, NYLON	2
252	2373450	SCREW 8-18 X 3/8	2
254	2283937	SIDEPLATE, LEFT, SHORT, FW	1
	2283947	SIDEPLATE, LEFT, LONG, FW	1
256	2283932	SIDEPLATE, RIGHT, SHORT, FW	1
	2283942	SIDEPLATE, RIGHT, LONG, FW	1
258	2323403	SCREW-1/4-20 X .375 MCH SS CRPH	4
260	2073408	SCREW 1/4-20 X 7/8	2
262	2286700	PLUG, SPACER	2
264	2283900	RAMP, MOTOR	1
266	2283631	RAIL, MACH., MOTOR REST	2
268	2286400	COVER, RAIL, MOTOR REST (SUB)	2
270	2281903	BASE-EXTRUSION, SHORT, MACH	1
	2281913	BASE-EXTRUSION, LONG, MACH	1
272	2323405	SCREW 1/4-20 X 1/2	8
274	2773806	STRAP HOLD DOWN	1

- ▲ Not shown on Parts Diagram.
- \* This part is included in an assembly and cannot be ordered individually.
- + Only available with models factory installed with Universal Sonar.

- ➔ Only available with models factory installed with Built-in MEGA Down Imaging.
- The Bow-Mount Stabilizer Assembly is not required or included on the 80lb 45" Fortrex.



# PARTS DIAGRAM & PARTS LIST



Item	Part #	Description	Quantity
276	✘	ROPE, MAXXUW MNT	1
278	✘	SHRINK TUBE .252 FD, ADHES	1
280	✘	WASHER - EYE SHAFT (.562 OD) SS	1
▲	2287100	MANUAL FORTREX FC FW	1
▲	2217110	MANUAL - UWV. SONAR	1
▲	2284912	PARTS LIST, FRTRX 112/FC 52"	1
288	2263468	SCREW -1/4-20 X 2.5" S/S PPH	6
290	2263103	NUT-1/4-20 NYLOCK SS	6
292	2261713	WASHER-1/4 FLAT 18-8 SS	6
294	✘	BRACKET, LATCH *SEE EE OR FF*	1
296	2288610	RIVET, SHLDR 5/16" X .159" SS	2
298	2280006	BEARING, NYLINER 5/16"	2
▲	2284911	PARTS LIST, FORTREX 112 FC 45"	1
302	✘	LATCH, STRAP, SHORT *SEE EE*	2
	✘	LATCH, STRAP, LONG *SEE FF*	2
304	2283414	SCREW 5/16-18 SHCS, RIE	1
306	2281700	WASHER 5/16 LOCK	1

- ▲ Not shown on Parts Diagram.
- ✘ This part is included in an assembly and cannot be ordered individually.
- ✚ Only available with models factory installed with Universal Sonar.

- ➔ Only available with models factory installed with Built-in MEGA Down Imaging.
- ☐ The Bow-Mount Stabilizer Assembly is not required or included on the 80lb 45" Fortrex.

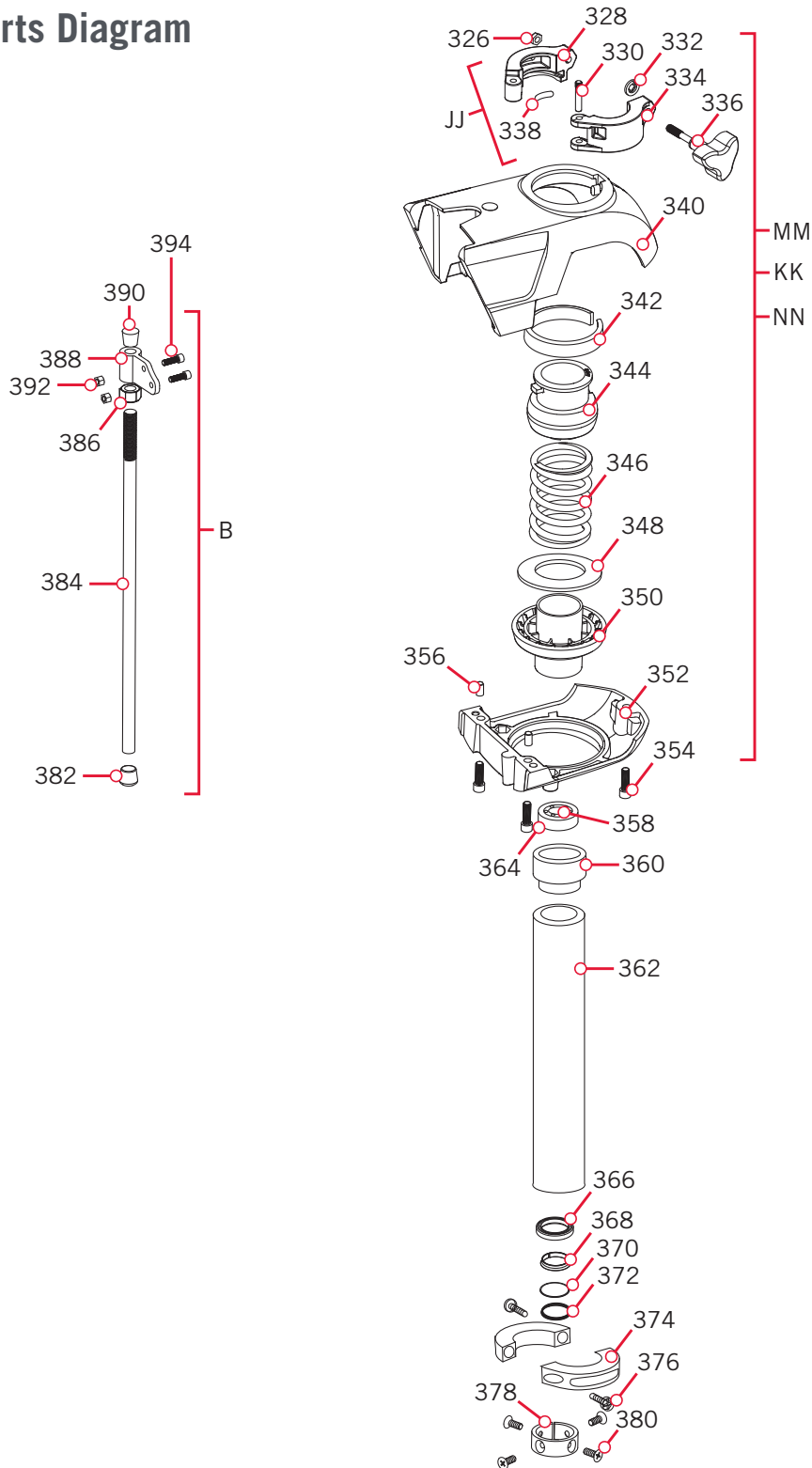


# PARTS DIAGRAM & PARTS LIST



**FORTREX BOWGUARD** >

## > Bowguard Parts Diagram





# PARTS DIAGRAM & PARTS LIST

## ► Bowguard Parts List

Assembly	Part #	Description	Quantity
JJ	2991550	CLAMP COLLAR ASSEMBLY	1
KK	2991753	BOWGUARD ASSEMBLY *112 LB 52"*	1
MM	2991754	BOWGUARD ASSEMBLY *80 LB 52"* *80 LB 45"*	1
NN	2991755	BOWGUARD ASSEMBLY *112 LB 45"* *80 LB 62"*	1
B	2991925 □	BRACKET STABILIZER ASSEMBLY	1
Item	Part #	Description	Quantity
326	2073102	NUT, 1/4-28 SS	1
328	✘	COLLAR CLAMP, "A" SIDE *SEE JJ*	1
330	2072621	PIN, KNURLED	1
332	2071718	WASHER #10 NYLON RETAINING	1
334	✘	COLLAR CLAMP, "B" SIDE *SEE JJ*	1
336	2281505	KNOB - SOFT GRIP, FW	1
338	2075120	PAD, URETHANE, DEPTH COLLAR	1
340	2281952	BRACKET, TOP	1
342	2280001	BEARING, TOP BRACKET	1
344	2071541	SPRING SLEEVE, UPPER	1
346	2282700	SPRING, BOWGUARD 80	1
	2282704	SPRING, BOWGUARD 112	1
348	2281525	SPACER, SPRING 62" ONLY	1
350	2281520	SPRING SLEEVE, LOWER *80 LB 52"* *80 LB 45"*	1
	2071535	SPRING SLEEVE, LOWER *80 LB 62"* *112 LB 45"*	1
	2281540	SPRING SLEEVE, LOWER *112 LB 52"*	1
352	2991728	BRACKET, BOTTOM *80 LB 52"* *80 LB 45"*	1
	2991730	BRACKET, BOTTOM *112 LB 52"* *112 LB 45"* *80 LB 62"*	1
354	2283413	SCREW 3/8-16 X 1 SHCS, RIE	3
356	2282612	PIN, SPRING 5/16" SS	2
358	2266000	BEARING, BALL, STEEL	1
360	2266260	BEARING RACE	1
362	2772085	TUBE W/ BEARING RACE 21" *80 LB 45"* *112 LB 45"*	1
	2772086	TUBE W/BEARING RACE 24" *80 LB 52"*	1
	2772092	TUBE W/BEARING RACE 24"*112 LB 52"*	1
	2772088	TUBE W/BEARING RACE 28.5" *80 LB 62"*	1
364	2267307	BUSHING OUTER TUBE	1
366	2266116	BEARING, CARTRIDGE	1
368	2266001	BEARING, SPLIT RING	1
370	2284600	O-RING	1

▲ Not shown on Parts Diagram.

✘ This part is included in an assembly and cannot be ordered individually.

✚ Only available with models factory installed with Universal Sonar.

➔ Only available with models factory installed with Built-in MEGA Down Imaging.

□ The Bow-Mount Stabilizer Assembly is not required or included on the 80lb 45" Fortrex.

# PARTS DIAGRAM & PARTS LIST



Item	Part #	Description	Quantity
372	2281706	WASHER-NYLATRON	1
374	2261622	COLLAR HALF	2
376	2263453	SCREW, 1/4-20 X 1 SHCS	2
378	2071560	COLLAR, TUBE	1
380	2223468	SCREW 8-32 X 7/16 FLT HD	4
382	2265100	BUMPER (CRUTCH TIP)	1
384	2263624	ANODIZED ALUMINUM 3/4" ROD, 22"	1
386	2263107	HEX NUT 3/4-10 NYLON	1
388	2281929	STABILIZER ARM BRACKET	1
390	2260221	VINYL CAP	1
392	2223100	NYLOCK STAINLESS STEEL NUT	2
394	2263422	SCREW - 5/16-18 X 1"	2

▲ Not shown on Parts Diagram.

✖ This part is included in an assembly and cannot be ordered individually.

✚ Only available with models factory installed with Universal Sonar.

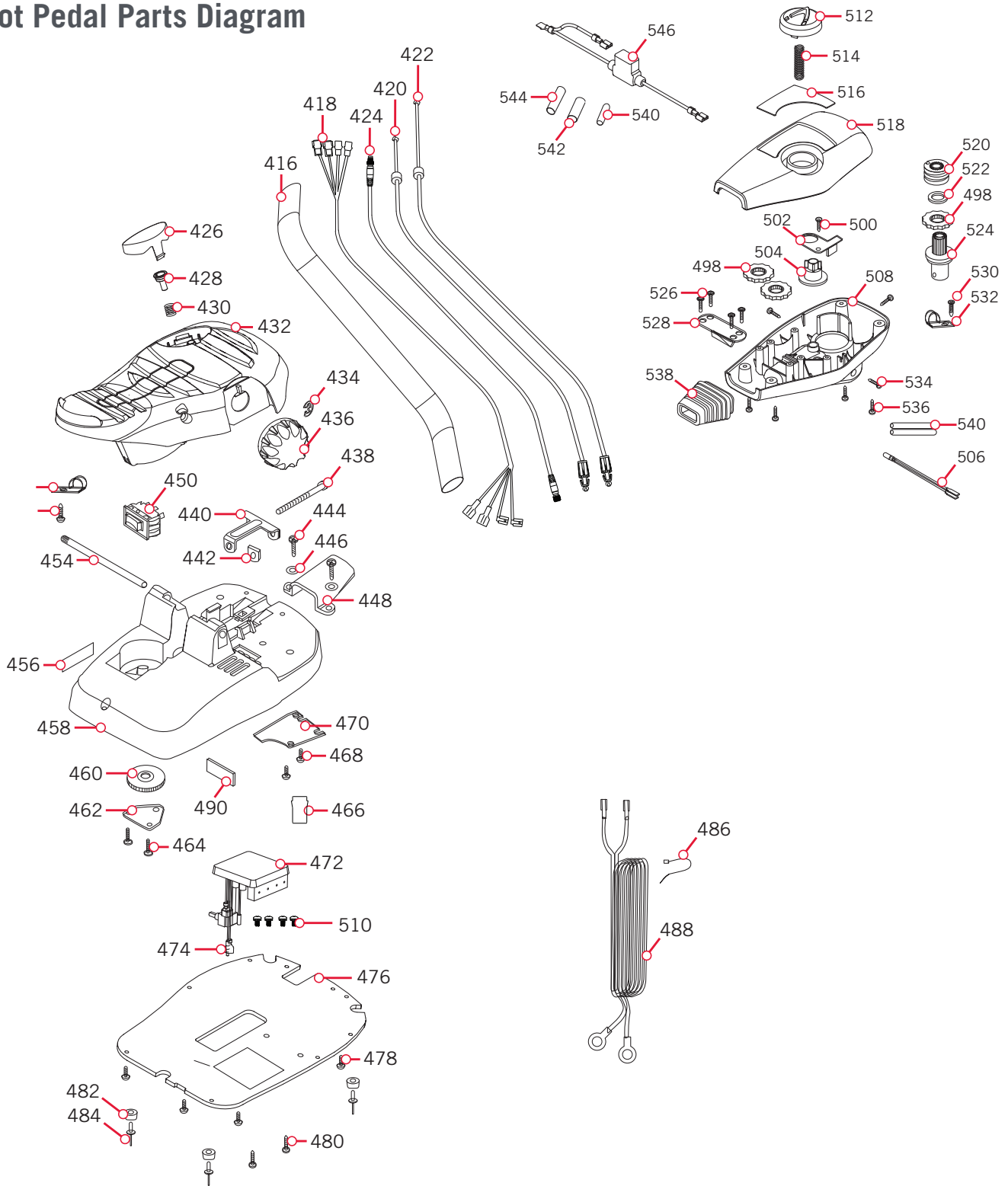
➔ Only available with models factory installed with Built-in MEGA Down Imaging.

☐ The Bow-Mount Stabilizer Assembly is not required or included on the 80lb 45" Fortrex.



FORTREX FOOT PEDAL

Foot Pedal Parts Diagram



# PARTS DIAGRAM & PARTS LIST

## Foot Pedal Parts List

Item	Part #	Description	Quantity
416	2265430	CABLE JACKET, 5'	1
418	2261220	WIRE HARNESS, MAX	1
420	2267505	CABLE ASSEMBLY, RIGHT, 5'	1
422	2267515	CABLE ASSEMBLY, LEFT, 5'	1
424	2211410 +	CABLE EXTENSION, US2 175" *US2 ONLY*	1
	490507-2 →	CABLE, ADP-INT MDI 14 M12-174" *PRE-INSTALLED*	1
426	2773705	PUSH BUTTON W/ MAGNET	1
428	2260810	CLIP, REED SENSOR	1
430	2302732	SPRING, PEDAL BUTTON	1
432	2994497	FOOT PEDAL W/ PLUG	1
434	2263000	E-RING, KNOB	1
436	2280115	KNOB, SPEED CONTROL VARS	1
438	2263466	SCREW 1/4-20 X 2	1
440	2263210	BRACKET, CONDUIT ADJUSTMENT	1
442	2263140	NYLOCK KEEPER	1
444	2372100	SCREW 8-18 X 5/8	2
446	2261714	WASHER, MAX FOOT PEDAL	2
448	2265115	BOOT, FOOT PEDAL	1
450	2254031	SWITCH, MOM/OFF/CON	1
452	2332103	SCREW 6-20 X 3/8	1
454	2260511	PIN, PIVOT, FOOT PEDAL	1
456	2266610	DECAL, ON/OFF SWITCH	1
458	2992104	FOOT PEDAL BASE	1
	2994556	ASSEMBLY, FT PED BASE/PIN	1
460	2262301	PULLY, FOOT PEDAL	1
462	2266401	COVER, PULLEY	1
464	2301310	SCREW 8-18 X 1/2	2
466	2266413	TENSION SCREW PLATE	1
468	2332103	SCREW 6-20 X 3/8	2
470	2266412	SWITCH PLATE, FOOT PEDAL	1
472	2264056	CONTROL BOARD MAX 24/36 *NON MDI* *NON US2* *US2*	1
	2264066	CONTROL BOARD MAX 24/36 *MDI*	1
474	2884019	SWITCH-REED, MAGNETIC W/CONNECTORS	1
476	2264511	BOTTOM PLATE, MAX	1
478	2372100	SCREW 8-18 X 5/8	5
480	2223455	SCREW 10-32 X 1/2 ZP	2

▲ Not shown on Parts Diagram.

\* This part is included in an assembly and cannot be ordered individually.

+ Only available with models factory installed with Universal Sonar.

→ Only available with models factory installed with Built-in MEGA Down Imaging.

□ The Bow-Mount Stabilizer Assembly is not required or included on the 80lb 45" Fortrex.

# PARTS DIAGRAM & PARTS LIST



Item	Part #	Description	Quantity
482	2265126	BUMPER PAD, FOOT PEDAL	4
484	2378600	POP RIVET, 3/16 X 3/4 ALUM	4
486	2256300	TIEWRAP	1
488	2261238	LEADWIRE	1
490	2365107	INSULATING PAD (2.3 X 3.2)	1
492	2263201	CLAMP WIRE HARNESS MICRO	1
498	2267800	GEAR, INDICATOR	3
500	2301310	SCREW 8-18 X 1/2	1
502	2261905	BRACKET, INDICATOR	1
504	2262221	INDICATOR, DRIVE	1
506	2264015	LIGHT, INDICATOR	1
508	2282500	CONTROL BOX	1
510	2263471	SCREW #6-32 X 1/4" SEMS ZPS	4
512	2990140	INDICATOR ASSEMBLY	1
514	2282730	SPRING, INDICATOR	1
516	2285621	DECAL-COVER 80#, FW *80 LB*	1
	2285623	DECAL, COVER 112#, FW *112 LB*	1
518	2280202	COVER, CONTROL BOX	1
520	2232360	PULLEY, CABLE DRUM	1
	2232361	PULLEY, CABLE DRUM *MDI*	1
522	2261730	WASHER, NYLON	1
524	2996247	TOP BEARING, PINION DRIVE	1
526	2223430	SCREW 8 X 3/4	4
528	2261901	BRACKET, CONDUIT	1
530	2372100	8-18 X 5/8	1
532	2263201	CLAMP, WIRE HARNESS	1
534	2053414	8-32 X 1/2 TRI-LOBE	3
536	2372100	SCREW 8-18 X 2/8	4
538	2265110	BOOT, CONTROL BOX	1
540	2355410	SHRINK TUBE 3/8	3
542	2335400	SHRINK TUBE 1/2" OD X 2"	2
544	2375400	SHRINK TUBE 1/4" OD X 1 3/4"	1
546	2218200	FUSE HOLDER ASSEMBLY	1

- ▲ Not shown on Parts Diagram.
- \* This part is included in an assembly and cannot be ordered individually.
- + Only available with models factory installed with Universal Sonar.

- ➔ Only available with models factory installed with Built-in MEGA Down Imaging.
- The Bow-Mount Stabilizer Assembly is not required or included on the 80lb 45" Fortrex.

