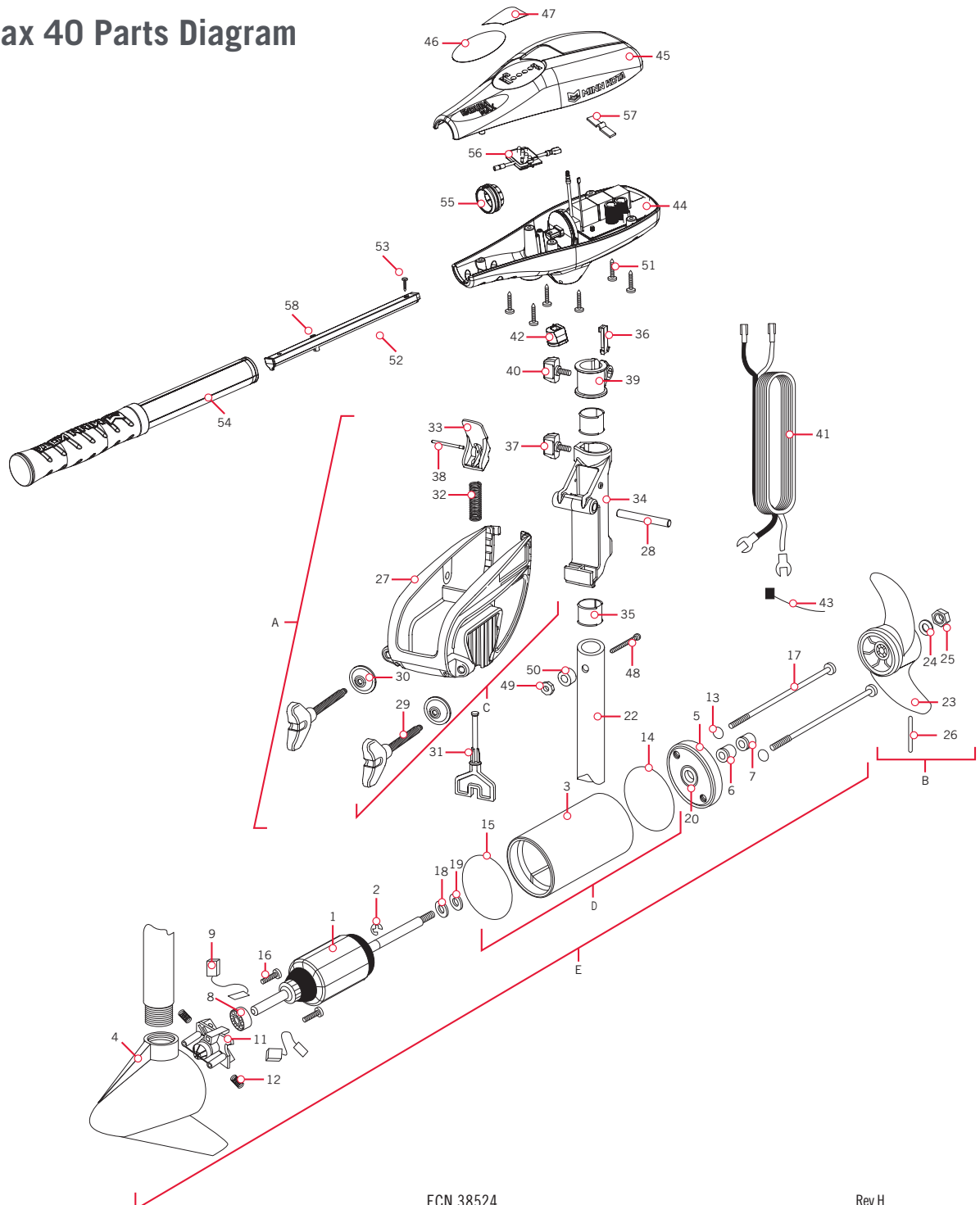


# PARTS DIAGRAM & PARTS LIST

## ENDURA MAX 40 - 40 LBS THRUST - 12 VOLT - 36" SHAFT

This page provides Minn Kota® WEEE compliance disassembly instructions. For more information about where you should dispose of your waste equipment for recycling and recovery and/or your European Union member state requirements, please contact your dealer or distributor from which your product was purchased. Tools required, but not limited to: flat head screw driver, Phillips screw driver, socket set, pliers, wire cutters.

### › Endura Max 40 Parts Diagram



# PARTS DIAGRAM & PARTS LIST

## › Endura Max 40 Parts List

Assembly	Part #	Description	Quantity
A	2771818	BRACKET & HINGE ASSEMBLY (INCLUDES 27-38)	1
B	1378121	PROPELLER KIT (INCLUDES 23-26)	1
C	2771910	BRACKET ASSEMBLY (INCLUDES 27, 29, 30)	1
D	2883460	SEAL AND O-RING KIT (INCLUDES 6-7, 13-15)	1
E	2069239	MOTOR ASSEMBLY 12 V 3.25 VARIABLE SPD	1
Item	Part #	Description	Quantity
1	2-100-204	ARMATURE ASSEMBLY 12V 3.25	1
2	788-015	RETAINING RING	1
3	2-200-079	HOUSING ASSEMBLY CENTER 3.25 TXT	1
4	421-132	BRUSH END HOUSING ASSEMBLY 3.25	1
5	2-400-128	PLAIN END HOUSING ASSEMBLY 3.25	1
6	880-003	SEAL	1
7	880-006	SEAL W/SHIELD	1
8	140-010	BALL BEARING	1
9	188-052	BRUSH ASSEMBLY	2
11	2-600-285	BRUSH PLATE W/HOLDER 3.25	1
12	975-032	COMPRESSION SPRING	2
13	701-007	O-RING — THRU BOLT	2
14	701-039	O-RING	1
15	701-041	O-RING	1
16	830-001	SCREW — SELF THREAD #8-32X1.7	2
17	830-078	THRU BOLT #8-32X8.0	2
18	990-067	WASHER — STEEL THRUST	1
19	990-070	WASHER — NYLATRON	1
20	144-049	FLANGE BEARING (SERVICE ONLY)	1
21	2069239	MOTOR ASSEMBLY 12 V 3.25 VARIABLE SPD	1
22	2032046	36" COMPOSITE TUBE	1
23	2061122	PROPELLER 3.25 HUB DIA	1
24	2151726	WASHER — 5/16 STD SS	1
25	2053101	NUT — PROP NYLOCK (MED) SS	1
26	2092600	DRIVE PIN	1

Item	Part #	Description	Quantity
27	✱	BRACKET	1
28	2060510	HINGE PIN	1
29	✱	SCREW — CLAMP	2
30	✱	WASHER — CLAMP SCREW	2
31	2063605	PLASTIC T-BAR	1
32	2062706	T-BAR SPRING	1
33	2067201	BLACK TILT LEVER	1
34	2061810	PLASTIC HINGE	1
35	2037301	BUSHING HINGE	2
36	2062800	SNAP-IN TENSION BLOCK	1
37	2011385	SCREW — TENSION/KNOB	1
38	2060515	TILT LEVER PIN	1
39	2061520	DEPTH COLLAR	1
40	2011365	SCREW — COLLAR/NEW KNOB	1
41	2050609	LEADWIRE (WITH 10GA HD SPADE TERMINAL)	1
42	2062905	STRAIN RELIEF	1
43	2256300	TIE WRAP	1
44	2994040	CONTROL BOX	1
45	2060227	CONTROL BOX COVER	1
46	2065761	DECAL COVER ENDURA MAX 40	1
47	2065760	COVER DECAL	1
48	2033401	SCREW — #10-24 X 1-3/4	1
49	2383124	NUT — 10-24 HEX	1
50	2061720	NYLON WASHER	1
51	2012100	SCREW — #8-18 X 5/8	6
52	2990924	INNER HANDLE ASSEMBLY	1
53	2012104	SCREW — #6 X 1/2" SS	1
54	2990461	OUTER HANDLE ASSEMBLY	1
55	2060009	FRONT BEARING	1
56	2074070	BATTERY METER 12V	1
57	2302742	DETENT SPRING - OFF	1
58	2882726	BALL DETENT, RTNR SPRNG ASM KIT	1

✱ This part is included in an assembly and cannot be ordered individually.

▲ Not shown on Parts Diagram.