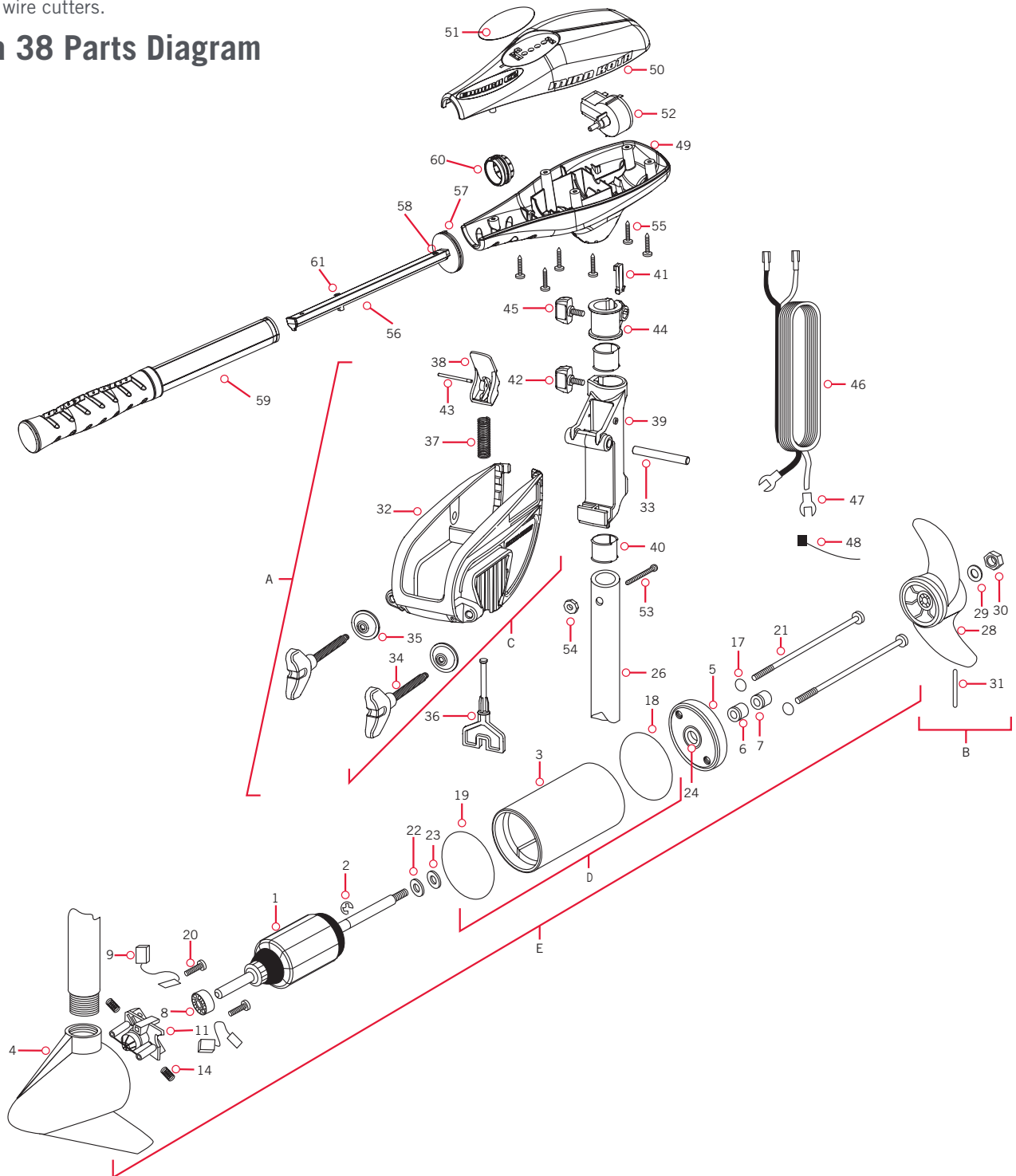


PARTS DIAGRAM & PARTS LIST

ENDURA 38 - 38 LBS THRUST - 12 VOLT - 36" SHAFT

This page provides Minn Kota® WEEE compliance disassembly instructions. For more information about where you should dispose of your waste equipment for recycling and recovery and/or your European Union member state requirements, please contact your dealer or distributor from which your product was purchased. Tools required, but not limited to: flat head screw driver, Phillips screw driver, socket set, pliers, wire cutters.

Endura 38 Parts Diagram



PARTS DIAGRAM & PARTS LIST

› Endura 38 Parts List

| Assembly | Part # | Description | Quantity |
|----------|-----------|---|----------|
| A | 2771818 | BRACKET & HINGE ASSEMBLY (INCLUDES 32-43) | 1 |
| B | 1378121 | PROPELLER KIT (INCLUDES 28-31) | 1 |
| C | 2771910 | BRACKET ASSEMBLY (INCLUDES 32, 34, 35) | 1 |
| D | 2883460 | SEAL AND O-RING KIT | 1 |
| E | 2069237 | MOTOR ASSEMBLY 12 V 3.25 5SP | 1 |
| Item | Part # | Description | Quantity |
| 1 | 2-100-202 | ARMATURE ASSEMBLY 12V 3.25 | 1 |
| 2 | 788-015 | RETAINING RING | 1 |
| 3 | 2-200-079 | HOUSING ASSEMBLY CENTER 3.25 TXT | 1 |
| 4 | 2-300-132 | BRUSH END HOUSING ASSEMBLY 3.25 SP.CO | 1 |
| 5 | 2-400-128 | PLAIN END HOUSING ASSEMBLY 3.25 | 1 |
| 6 | 880-003 | SEAL | 1 |
| 7 | 880-006 | SEAL W/SHIELD | 1 |
| 8 | 140-010 | BALL BEARING | 1 |
| 9 | 188-052 | BRUSH ASSEMBLY | 2 |
| 11 | 738-030 | BRUSH PLATE W/HOLDER 3.25 | 1 |
| 14 | 975-032 | COMPRESSION SPRING | 2 |
| 17 | 701-007 | O-RING — THRU BOLT | 2 |
| 18 | 701-039 | O-RING | 1 |
| 19 | 701-041 | O-RING | 1 |
| 20 | 830-001 | SCREW — SELF THREAD #8-32X1.7 | 2 |
| 21 | 830-078 | THRU BOLT #8-32X8.0 | 2 |
| 22 | 990-067 | WASHER — STEEL THRUST | 1 |
| 23 | 990-070 | WASHER — NYLATRON | 2 |
| 24 | 144-049 | FLANGE BEARING (SERVICE ONLY) | 1 |
| 26 | 2032046 | 36" COMPOSITE TUBE | 1 |
| 28 | 2061122 | PROPELLER 3.25 HUB DIA | 1 |
| 29 | 2151726 | WASHER — 5/16 STD SS | 1 |
| 30 | 2053101 | NUT — PROP NYLOCK (MED) SS | 1 |
| 31 | 2092600 | DRIVE PIN | 1 |

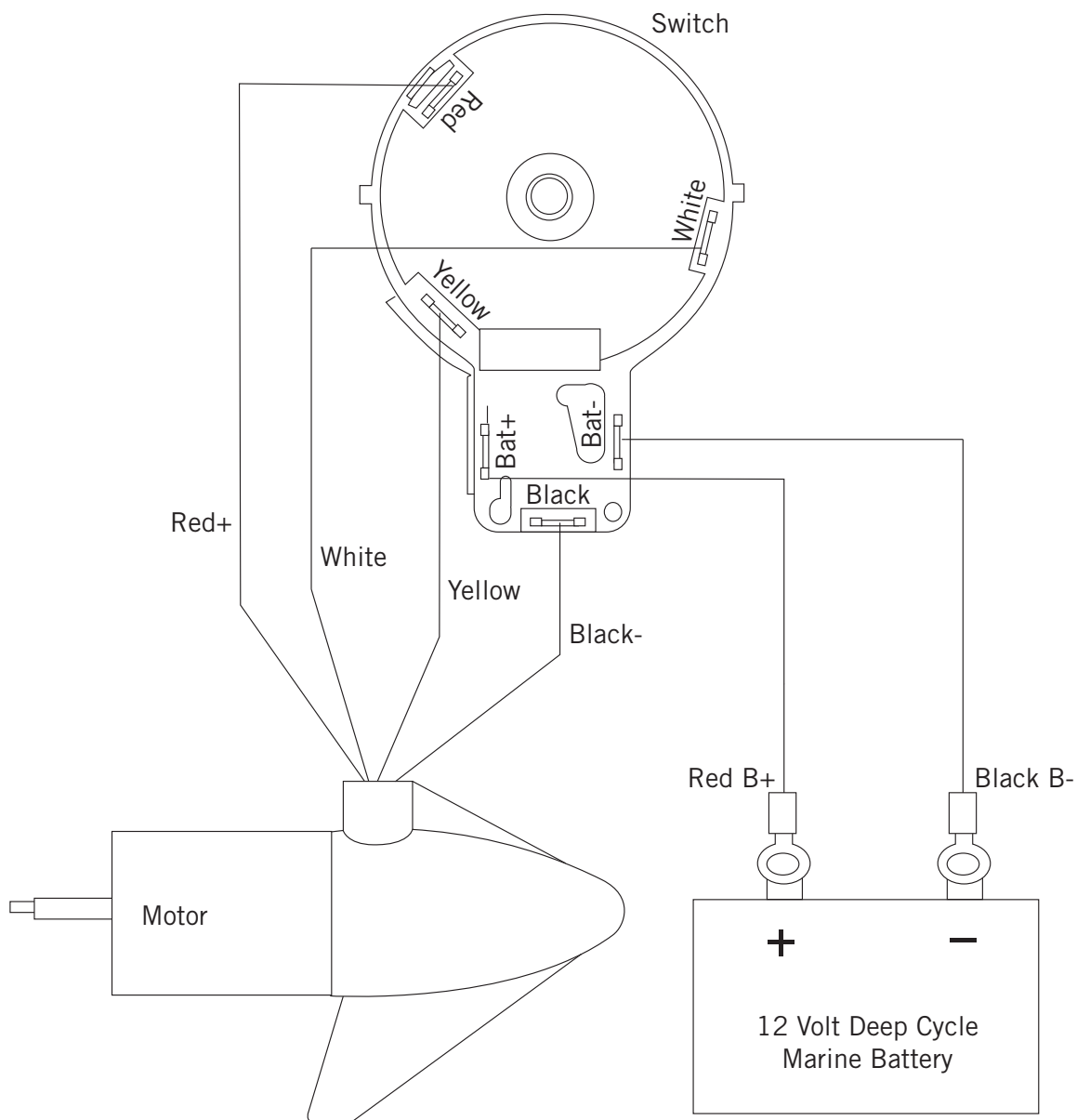
| Item | Part # | Description | Quantity |
|------|---------|---------------------------------|----------|
| 32 | ✱ | BRACKET | 1 |
| 33 | 2060510 | HINGE PIN | 1 |
| 34 | ✱ | SCREW — CLAMP | 2 |
| 35 | ✱ | WASHER — CLAMP SCREW | 2 |
| 36 | 2063605 | PLASTIC T-BAR | 1 |
| 37 | 2062706 | T-BAR SPRING | 1 |
| 38 | 2067201 | TILT BLACK LEVER | 1 |
| 39 | 2061810 | PLASTIC HINGE | 1 |
| 40 | 2037301 | HINGE BUSHING | 2 |
| 41 | 2062800 | SNAP-IN TENSION BLOCK | 1 |
| 42 | 2011385 | SCREW — TENSION/KNOB | 1 |
| 43 | 2060515 | TILT LEVER PIN | 1 |
| 44 | 2061520 | DEPTH COLLAR | 1 |
| 45 | 2011365 | SCREW — COLLAR/NEW KNOB | 1 |
| 46 | 2050610 | LEADWIRE (10 GA) W/SPADE TERM | 1 |
| 47 | 2020703 | SPADE TERMINAL 14GA HD | 2 |
| 48 | 2256300 | TIE WRAP | 1 |
| 49 | 2062515 | CONTROL BOX | 1 |
| 50 | 2060215 | CONTROL BOX COVER | 1 |
| 51 | 2065708 | DECAL COVER ENDURA C2 38 | 1 |
| 52 | 2064028 | SWITCH — FWD/REV 5 SP | 1 |
| 53 | 2033401 | SCREW — #10-24 X 1-3/4 | 1 |
| 54 | 2013110 | NUT — 10-24 HEX | 1 |
| 55 | 2012100 | SCREW — #8-18 X 5/8 | 6 |
| 56 | 2990919 | INNER HANDLE ASSEMBLY | 1 |
| 57 | 2060405 | HANDLE PIVOT | 1 |
| 58 | 2012104 | SCREW — #6 X 1/2" SS | 1 |
| 59 | 2990928 | OUTER HANDLE ASSEMBLY | 1 |
| 60 | 2060009 | FRONT BEARING | 1 |
| 61 | 2882726 | BALL DETENT, RTNR SPRNG ASM KIT | 1 |

✱ This part is included in an assembly and cannot be ordered individually.

▲ Not shown on Parts Diagram.

MOTOR WIRING DIAGRAM

ENDURA



NOTICE: This is a multi-voltage diagram. Double-check your motor's voltage for proper connections. Over-Current Protection Devices are not shown in this illustration.