

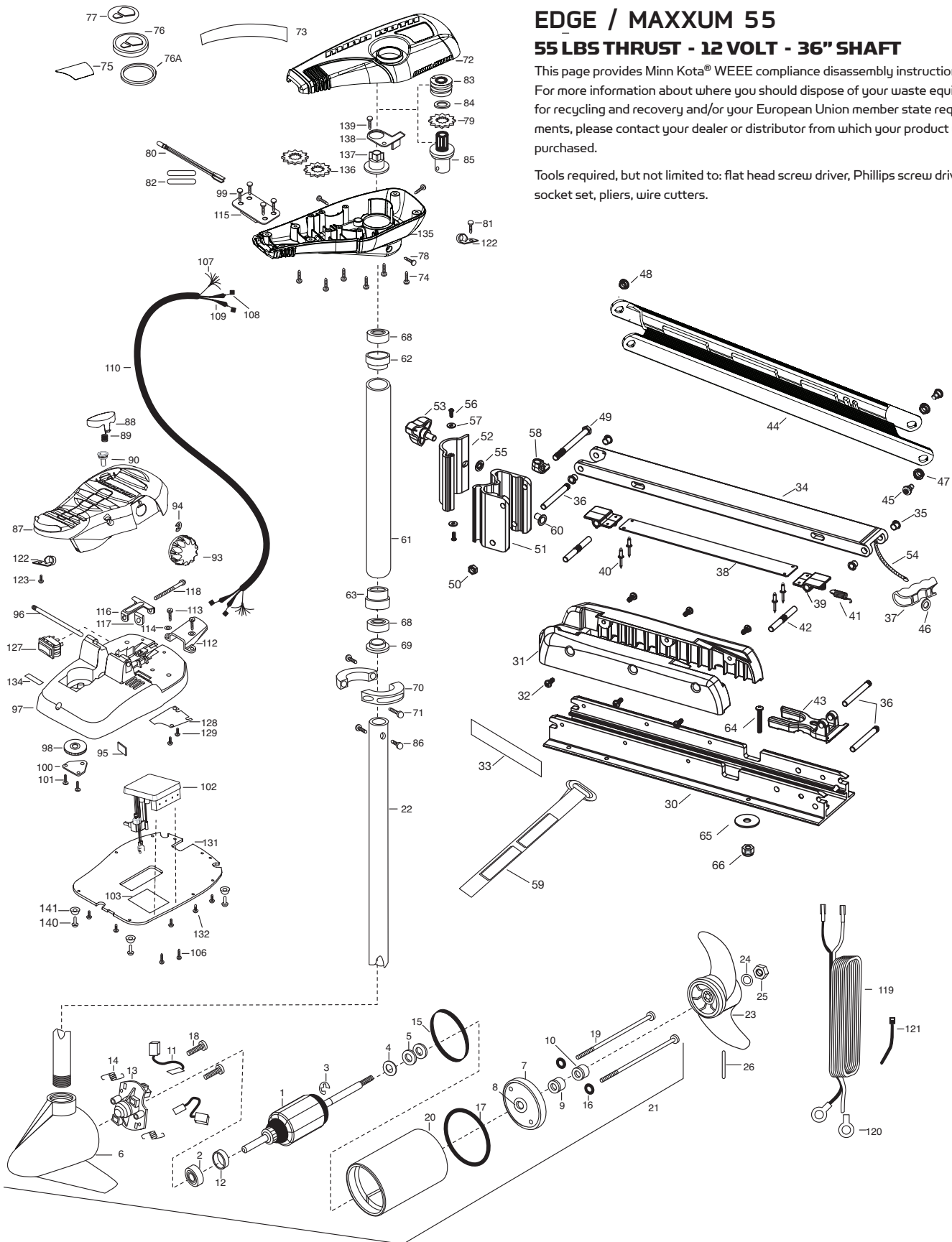
PARTS DIAGRAM

EDGE / MAXXUM 55

55 LBS THRUST - 12 VOLT - 36" SHAFT

This page provides Minn Kota® WEEE compliance disassembly instructions. For more information about where you should dispose of your waste equipment for recycling and recovery and/or your European Union member state requirements, please contact your dealer or distributor from which your product was purchased.

Tools required, but not limited to: flat head screw driver, Phillips screw driver, socket set, pliers, wire cutters.



EDGE / MAXXUM 55

55 LBS THRUST - 12 VOLT - 36" SHAFT

ITEM	QTY	PART NUMBER	DESCRIPTION
1	1	2-100-117	ARMATURE ASSEMBLY 12V 3.625
2	1	140-010	BALL BEARING
3	1	788-015	RETAINING RING
4	1	990-067	WASHER – STEEL THRUST
5	2	990-070	WASHER – NYLATRON
6	1	421-065	BRUSH END HOUSING
7	1	2-400-101	PLAIN END HOUSING ASSEMBLY
8	1	144-049	BEARING – FLANGE (SERVICE ONLY)
9	1	880-003	SEAL
10	1	880-006	SEAL W/ SHIELD
11	2	188-036	BRUSH ASSEMBLY
12	1	725-050	BRUSH RETENTION
13	1	738-036	BRUSH PLATE W/HOLDER
14	2	975-040	SPRING – TORSION
15	1	337-036	GASKET
16	2	701-008	O-RING
17	1	701-081	O-RING
18	2	830-007	SCREW – SELF THREAD 8-32X1
19	2	830-042	THRU BOLT 10-32X8.83
20	1	2-200-101	CENTER HOUSING FIELD ASSEMBLY
21	1	2097074	MOTOR ASSEMBLY 12V 3.62 VARS
22	1	2032062	TUBE (COMP)W/CSK HOLE – 36"
■	1	1378170	PROP KIT
*23	1	2091170	POWER PROP
*24	1	2151726	WASHER – 5/16 STD SS
*25	1	2053101	NUT – NYLOC 5/16 SS
*26	1	2092600	PIN – DRIVE SS
■	1	2991954	STD-BOWMT FW 30,33,36AT
30	1	2266502	BOWPLATE, FW, STD, 45"
31	1	2263905	MOTOR REST, BLACK
32	6	2303430	SCREW – 1/4-20 X 5/8"
33	2	2265667	MOTOR REST DECAL, FW
■	1	2991700	ARM – LOWER FW ASSEMBLY
34	1	2264372	ARM – LOWER, FW, STD
35	4	2266002	NYLINER 3/8" SHAFT
36	3	2260503	PIVOT PIN
37	1	2150405	PULL – GRIP
■	1	2993811	LATCH STRAP ASSEMBLY, STD, 45"
38	1	2263605	LATCH STRAP, STD, 45"
39	2	2261902	BRACKET – LATCH
40	4	2268602	RIVET 1/8" SS
41	1	2262709	SPRING – LATCH PIN
42	2	2260501	LATCH PIN
43	1	2261544	YOKE – TUBE
44	1	2264271	ARM – UPPER, SHORT FW
45	2	2263510	BOLT – SHOULDER, SS
46	1	2151700	WASHER – EYE SHAFT (.562 OD)
47	2	2267302	BUSHING – LOWER 7/16" ID, SS
48	2	2267303	BUSHING – UPPER 3/8" IS, SS
49	1	2263505	BOLT 3/8-16 X 4.25"
50	1	2263114	NUT – NYLOCK JAM 3/8-16

ITEM	QTY	PART NUMBER	DESCRIPTION
51	1	2261892	HINGE BASE, FW
52	1	2261897	HINGE DOOR, FW
53	1	2260905	HANDLE – SOFT GRIP
54	1	2251601	ROPE
55	1	2261728	WASHER – RETAINING 3/8
56	2	2053415	SCREW #8-32 X 3/8" TRI
57	2	2261732	WASHER #8, NYLON
58	1	2262310	ROPE GUIDE
59	1	2263805	VELCRO STRAP
60	1	2264703	INSERT – THREADED
■	1	2992015	TUBE W/BEARING RACE ASSEMBLY
*61	1	2272066	TUBE OUTER 18" – 4 HOLES
62	1	2266260	BEARING RACE
63	1	2266220	BEARING RACE – STEEL
■	1	2994838	BAG ASSEMBLY – (BOLTS,NUTS,WASHERS)
*64	6	2263462	SCREW 1/4-20 X 2" SS
*65	6	2261713	WASHER – 1/4 SS
*66	6	2263103	NUT 1/4-20 NYLOCK, SS
68	2	2266000	BALL BEARING – STEEL
69	1	2266115	BEARING CONE
70	2	2261619	COLLAR – HALF ZINC
71	2	2263452	SCREW – 1/4-20X3/4
72	1	2260215	CONTROL BOX COVER
73	1	2265686	DECAL – CTRL BOX-TOP/ SIDE
74	4	2372100	SCREW – 8-18 X 5/8 THD SS
75	1	2275615	DECAL COVER, 55 EDGE/ MAXXUM
76	1	2260150	POINTER DISC SHORT YELLOW
76A	1	2261733	WASHER – FOAM, INDICATOR
77	1	2265800	DECAL – INDICATOR
78	3	2053414	SCREW – #8-32 X 1/2 TRI-LOBE
79	1	2267800	GEAR – INDICATOR
80	1	2264015	LIGHT/INDICATOR
81	1	2372100	SCREW – 8-18 X 5/8 SS
82	2	2355410	SHRINK TUBE – 3/8 OD X 2"
83	1	2232360	PULLEY – CABLE DRUM
84	1	2261730	WASHER – NYLON A/T CON B
85	1	2996246	TOP BEARING RACE/ PINION ASSEMBLY
86	2	2263410	SCREW – 8-32 X 5/16 (ZN PL)
87	1	2994496	FOOT PEDAL/PLUG ASSEMBLY (AT)
88	1	2993705	PUSH – BUTTON
89	1	2302732	SPRING – LOWER PEDAL SS
90	1	2260810	CLIP, REED SWITCH
93	1	2280115	KNOB – SPEED CONTROL (VAR)
94	1	2263000	E-RING TRU-RC#5133-43
95	1	2266413	TENSION SCREW PLATE FOOT PEDAL
96	1	2260511	PIN – PIVOT A/T FOOT PEDAL
97	1	2774550	FOOT PEDAL BASE/PIN ASSEMBLY

ITEM	QTY	PART NUMBER	DESCRIPTION
98	1	2262301	PULLEY (FOOT PEDAL)
99	4	2223430	SCREW – 8X 3/4 PPH TYPE 25 SS
100	1	2266405	COVER – PULLEY (STAMPING)
101	2	2301315	SCREW – 8-18 X 1/2 SS
102	1	2264055	CONTROL BOARD ASSEMBLY-12V
103	1	2365107	INSULATING PAD 2.3 X 3.2
106	2	2223455	SCREW – 10-32 X 1/2"
107	1	2261220	WIRE HARNESS AT & MAX
108	1	2267505	CABLE ASSEMBLY – RIGHT (5')
109	1	2267515	CABLE ASSEMBLY – LEFT (5')
110	1	2265430	CABLE JACKET
112	1	2265115	BOOT – FOOT PEDAL BASE
113	2	2372100	SCREW – 8-18 X 5/8 THD (SS)
114	2	2261714	WASHER – MAXXUM FOOT PEDAL
115	1	2261901	BRACKET – CONDUIT
116	1	2263210	BRACKET – CONDUIT ADJUSTMENT
117	1	2263104	NYLOCK KEEPER
118	1	2263463	SCREW – 1/4-20 X 2" STL PPH
119	1	2261234	LEADWIRE VARIABLE
120	2	2020700	TERMINAL RING, 3/8"
121	1	2256300	TIE WRAP – 5.5" BLACK
122	2	2263201	CLAMP WIRE HARNESS MICRO
123	1	2332103	SCREW – 6-20 X 3/8 THD SS
127	1	2254031	SWITCH – MOM/OFF/CON
128	1	2266412	SWITCH PLATE – FOOT PEDAL
129	2	2332103	SCREW – 6-20 X 3/8 THD SS
130	2	2256301	TIE WRAP – 5.5" WHITE
131	1	2264511	BOTTOM PLATE, – MAXXUM FOOT PEDAL
132	8	9953104	SCREW – 8 X 1/2" SS
134	1	2266610	DECAL – ON/OFF SWITCH
135	1	2262515	CONTROL BOX – PLASTIC
136	2	2267800	GEAR INDICATOR
137	1	2262220	INDICATOR – DRIVE
138	1	2261905	BRACKET/INDICATOR
139	1	2301310	SCREW – 8-18 X 1/2 (SS)
140	1	2378600	RIVET
141	1	2265126	RUBBER BUMPER
■	1	2888460	SEAL & O-RING KIT

■ THIS ITEM IS PART OF AN ASSEMBLY. THIS ITEM CANNOT BE SOLD SEPARATELY DUE TO MACHINING AND/OR ASSEMBLY THAT IS REQUIRED

*THIS ITEM IS PART OF A KIT AND ONLY LISTED FOR VIEWING PURPOSES.