

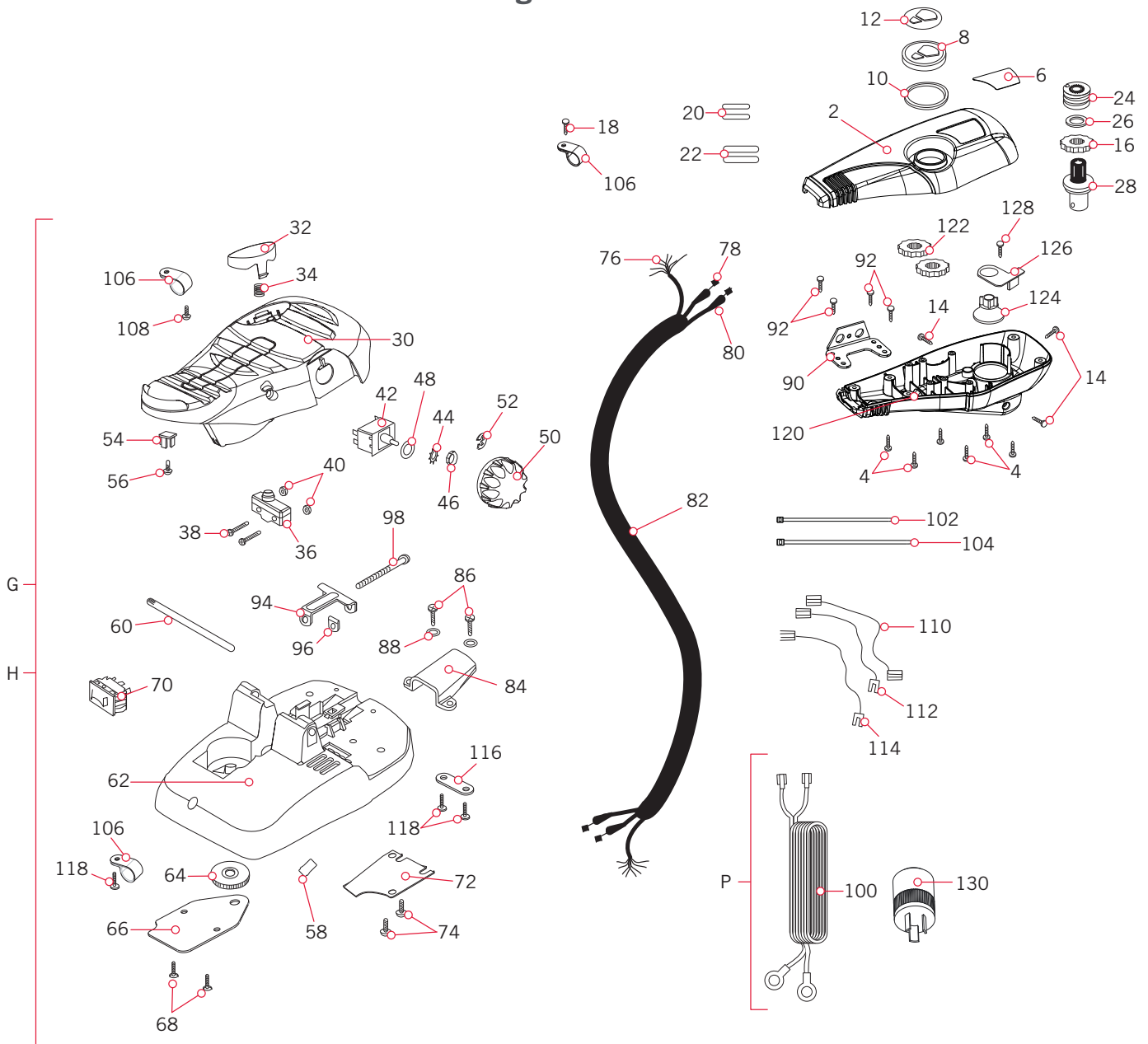
PARTS DIAGRAM & PARTS LIST

EDGE 70 - 70 LBS THRUST - 24 VOLT - 45"/52" SHAFT

This page provides Minn Kota® WEEE compliance disassembly instructions. For more information about where you should dispose of your waste equipment for recycling and recovery and/or your European Union member state requirements, please contact your dealer or distributor from which your product was purchased. Tools required, but not limited to: flat head screw driver, Phillips screw driver, socket set, pliers, wire cutters.

EDGE 70 FOOT PEDAL & CONTROL HEAD

Foot Pedal & Control Head Parts Diagram



PARTS DIAGRAM & PARTS LIST

Foot Pedal & Control Head Parts List

| Assembly | Part # | Description | Notes | Quantity |
|----------|---------|--------------------------------|-------------------------------|----------|
| G | 2992126 | FOOT PEDAL ASM, EDGE | *W/ MOUNT* | 1 |
| H | 2992129 | FT PED ASM,5-SPD,w/PLUG G | *W/O MOUNT* *W/PLUG* | 1 |
| P | 2996713 | SKEETER PLUG/LEADWIRE ASSY | *W/O MOUNT* *W/PLUG* | 1 |
| Item | Part # | Description | Notes | Quantity |
| 2 | 2260216 | COVER,CTRL BOX, EDGE | | 1 |
| 4 | 2372100 | SCREW-#8-18 X 5/8 THD* (SS) | *NOT PART OF ASSEMBLY G OR H* | 6 |
| 6 | 2265782 | DECAL-COVER, EDGE 70/FC | | 1 |
| 8 | 2260153 | POINTER DISC, YELLOW | | 1 |
| 10 | 2261733 | WASHER,ANTI-RATTLE | | 1 |
| 12 | 2265800 | DECAL-INDICATOR | | 1 |
| 14 | 2053414 | SCREW-#8-32 X 1/2 TRI-LOBE PPH | *NOT PART OF ASSEMBLY G OR H* | 3 |
| 16 | 2267800 | GEAR-INDICATOR | | 1 |
| 18 | 2372100 | SCREW-#8-18 X 5/8 THD* (SS) | | 1 |
| 20 | 2375400 | SHRINK TUBE-1/4OD X 1-3/4 | | 2 |
| 22 | 2355410 | SHRINK TUBE-3/8 DIA. ID X 2" | | 2 |
| 24 | 2232360 | PULLEY-CABLE DRUM | | 1 |
| 26 | 2261730 | WASHER-NYLON A/T CON B | | 1 |
| 28 | 2996246 | TOP BEARING RACE/PINION DR. | | 1 |
| 30 | 2994497 | FOOT PEDAL w/PLUG | | 1 |
| 32 | 2283700 | PUSH BUTTON W/MAG CAVITY | | 1 |
| 34 | 2302732 | SPRING-LOWER PEDAL S/S | | 1 |
| 36 | 2264040 | SWITCH-MOM., CAT# YA-7RB215T | | 1 |
| 38 | 2262114 | SCREW-MOUNTING/SWITCH | | 2 |
| 40 | 2233100 | NUT-SWITCH MOUNT | | 2 |
| 42 | 2264026 | SWITCH-5 SPEED (ALL TERAİN) | | 1 |
| 44 | 2261701 | LOCKWASHER-STAR (ZP STEEL) | | 1 |
| 46 | 2263105 | NUT-HEX 3/8-24, JAM ZP | | 1 |
| 48 | 2261715 | SPACER-SWITCH 5 SP MODELS ZP | | 1 |
| 50 | 2280110 | KNOB-SPEED CTRL,5 SPD | | 1 |
| 52 | 2263000 | E-RING TRU-ARC#5133-43 | | 1 |
| 54 | 2260730 | CONNECTOR 1/4 MALE TAB QD | | 1 |
| 56 | 2332103 | SCREW-#6-20 X 3/8 THD*(SS) | | 1 |
| 58 | 2266413 | TENSION SCREW PLATE FTPEDAL | | 1 |
| 60 | 2260511 | PIN-PIVOT A/T FT PDL | | 1 |
| 62 | 2994556 | ASSEMBLY, FT PEDAL BASE/PIN | | 1 |
| 64 | 2262301 | PULLEY (FOOT PEDAL) | | 1 |

▲ Not shown on Parts Diagram.

✘ This part is included in an assembly and cannot be ordered individually.

PARTS DIAGRAM & PARTS LIST



| Item | Part # | Description | Notes | Quantity |
|------|---------|--------------------------------|----------------------|----------|
| 66 | 2266401 | COVER-PULLEY (STAMPING) | | 1 |
| 68 | 2301310 | SCREW-#8-18 X 1/2 (SS)* | | 2 |
| 70 | 2254031 | SWITCH-MOM/OFF/COM | | 1 |
| 72 | 2266412 | SWITCH PLATE, FT PEDAL | | 1 |
| 74 | 2332103 | SCREW-#6-20 X 3/8 THD*(SS) | | 2 |
| 76 | 2261208 | WIRE HARNESS, A/T FT. PEDAL | | 1 |
| 78 | 2267505 | CABLE ASSY-RIGHT (5') | | 1 |
| 80 | 2267515 | CABLE ASSY-LEFT (5') | | 1 |
| 82 | 2265430 | CABLE JACKET (5') AT MODEL | | 1 |
| 84 | 2265115 | BOOT-FOOT PEDAL BASE | | 1 |
| 86 | 2372100 | SCREW-#8-18 X 5/8 THD* (SS) | | 2 |
| 88 | 2261714 | WASHER-MAXXUM FT PDL 18/8 SS | | 2 |
| 90 | 2261901 | BRACKET-CONDUIT AT/MAX | | 1 |
| 92 | 2223430 | SCREW-#8x3/4 PPH,TYPE 25,SS | | 4 |
| 94 | 2263210 | BRACKET-CONDUIT ADJUSTMEN | | 1 |
| 96 | 2263140 | KEEPER-NYLOCK | | 1 |
| 98 | 2263466 | SCREW-1/4-20 X 2" PPH SS/REI | | 1 |
| 100 | 2261235 | LEADWIRE-BATTERY A/T 5-SPD | | 1 |
| 102 | 9950433 | TIE WRAP-4" BLACK | | 1 |
| 104 | 2256300 | TIE WRAP-5.5" BLACK | | 1 |
| 106 | 2263201 | CLAMP WIRE HARNESS MICRO | | 3 |
| 108 | 2332103 | SCREW-#6-20 X 3/8 THD*(SS) | | 1 |
| 110 | 2260301 | CONNECTING WIRE (SWITCH) | | 1 |
| 112 | 2260312 | WIRE,BLK W/WHT STRP 19 1/4" | | 1 |
| 114 | 2260322 | WIRE,BLK W/BLUE STRP-12" | | 1 |
| 116 | 2263205 | CLAMP-LEADWIRE (STAMPING) | | 1 |
| 118 | 9953104 | SCREW-#8 X 1/2" PPH S/S | | 3 |
| 120 | 2262515 | CONTROL BOX | | 1 |
| 122 | 2267800 | GEAR-INDICATOR | | 2 |
| 124 | 2262221 | INDICATOR-DRIVE (YELLOW) | | 1 |
| 126 | 2261905 | BRACKET/INDICATOR | | 1 |
| 128 | 2223430 | SCREW-#8x3/4 PPH,TYPE 25,SS | | 1 |
| 130 | 2266710 | PLUG-MARINCO MALE 30AMP 125V | *W/O MOUNT* *W/PLUG* | 1 |
| ▲ | 2267162 | MANUAL, EDGE/FC | | 1 |
| ▲ | 2274997 | PARTS LIST, EDGE 70/FC | | 1 |
| ▲ | 2015800 | HANG TAG "CAUTION..TILT HINGE" | | 1 |
| ▲ | 2015801 | HANG TAG-PINK "CAUTION..HG/DR" | | 1 |
| ▲ | 2006809 | PRODUCT LABELS,"CAUTION HEAVY" | | 1 |

▲ Not shown on Parts Diagram.

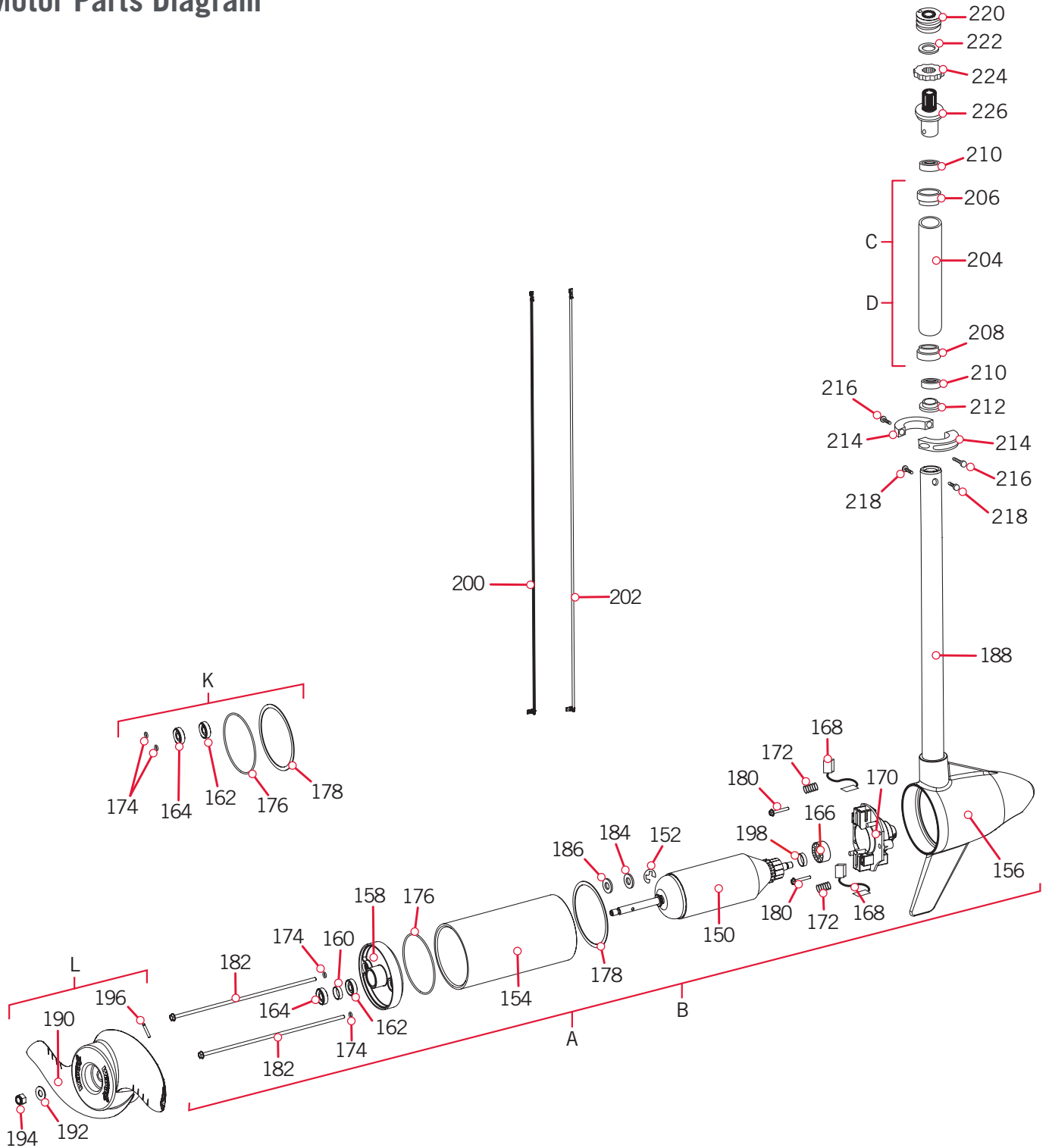
* This part is included in an assembly and cannot be ordered individually.



PARTS DIAGRAM & PARTS LIST

EDGE 70 MOTOR

Motor Parts Diagram



PARTS DIAGRAM & PARTS LIST

Motor Parts List

| Assembly | Part # | Description | Notes | Quantity |
|----------|------------|--------------------------------|-------------|----------|
| A | 2096063 | MTR ASY 24V 3.62 SC 70#FW | *45** | 1 |
| B | 2096065 | MTR ASY 24V 3.62 SC 70#FW | *52** | 1 |
| C | 2992012 | TUBE W/BEARING RACE ASSY | *45** | 1 |
| D | 2992016 | TUBE W/BEARING RACE ASSY | *52** | 1 |
| K | 2888460 | SEAL & O-RING KIT TURBO PRO | | 1 |
| L | 1378121 | PROP IND 2061122 (1 EA) | | 1 |
| Item | Part # | Description | Notes | Quantity |
| 150 | 2-100-128 | ARMATURE ASM 24V 3.62",70 | | 1 |
| 152 | 788-015 | RETAINING RING | | 1 |
| 154 | 2-200-005 | CTR HSG ASY 3.6 FW-MAGNET | | 1 |
| 156 | 2-300-042M | BRUSH END ASY 24V 3.625 SPCOIL | *45** | 1 |
| | 2-300-139M | BRUSH END ASY 24V 3.625 SPCOIL | *52** | 1 |
| 158 | 2-400-101A | PLAIN END HSG ASY 3.625 | | 1 |
| 160 | 144-049 | BEARING - FLANGE | | 1 |
| 162 | 880-003 | SEAL | | 1 |
| 164 | 880-006 | SEAL WITH SHIELD | | 1 |
| 166 | 140-010 | BEARING - BALL | | 1 |
| 168 | 188-038 | BRUSH ASSEMBLY, 3.625", 70# | | 2 |
| 170 | 738-038 | BRUSH PLATE, 3.625", 70# | | 1 |
| 172 | 975-042 | SPRING-TORSION, 70# LOWER UNIT | | 2 |
| 174 | 701-008 | O-RING | *THRU-BOLT* | 2 |
| 176 | 337-036 | GASKET | | 1 |
| 178 | 701-081 | O-RING | | 1 |
| 180 | 830-007 | SCREW, # 8-32 | | 2 |
| 182 | 830-008 | THRU BOLT 10-32 x 9.205 | | 2 |
| 184 | 990-067 | WASHER - STEEL THRUST | | 1 |
| 186 | 990-070 | WASHER - NYLATRON | | 1 |
| 188 | 2032061 | TUBE W/CSK HOLE-43 3/4" | *45** | 1 |
| | 2032067 | TUBE COMP 52" W/CSK HOLE | *52** | 1 |
| 190 | 2091160 | PROP-WW2 (3 5/8") REAMED | | 1 |
| 192 | 2151726 | WASHER-5/16 STD (S/S) | | 1 |
| 194 | 2053101 | NUT-PROP,NYLOC (MED) 5/16 SS | | 1 |
| 196 | 2092600 | PIN-DRIVE 1.06" LG (SS) | | 1 |
| 198 | 725-035 | PAPER TUBE - SEAL BORE | | 1 |
| 200 | 640-005 | LEADWIRE BLK 10 AWG 57 GPT | *45** | 1 |
| | 640-006 | LEADWIRE BLK 10 AWG 61 3/4 GPT | *52** | 1 |

▲ Not shown on Parts Diagram.

* This part is included in an assembly and cannot be ordered individually.

PARTS DIAGRAM & PARTS LIST



| Item | Part # | Description | Notes | Quantity |
|------|---------|--------------------------------|-------|----------|
| 202 | 640-114 | LEADWIRE RED 10 AWG 59 GPT | *45** | 1 |
| | 640-115 | LEADWIRE RED 10 AWG 63 3/4 GPT | *52** | 1 |
| 204 | 2272069 | TUBE OUTER-21" 4 HOLES | *45** | 1 |
| | 2272067 | TUBE OUTER-24" 4 HOLES | *52** | 1 |
| 206 | 2266260 | BEARING RACE | | 1 |
| 208 | 2266220 | BEARING RACE-STEEL | | 1 |
| 210 | 2266000 | BEARING BALL-STEEL | | 2 |
| 212 | 2266115 | BEARING CONE | | 1 |
| 214 | 2261622 | COLLAR HALF,ALUM (2 PER) | | 2 |
| 216 | 2263453 | SCREW-1/4-20 X 1" SHCS S/S | | 2 |
| 218 | 2263410 | SCREW-#8-32 X 5/16(ZN PL) | | 2 |
| 220 | 2232360 | PULLEY-CABLE DRUM | | 1 |
| 222 | 2261730 | WASHER-NYLON A/T CON B | | 1 |
| 224 | 2267800 | GEAR-INDICATOR | | 1 |
| 226 | 2996246 | TOP BEARING RACE/PINION DR. | | 1 |
| ▲ | 810-001 | RIVET-.25" | | 4 |

▲ Not shown on Parts Diagram.

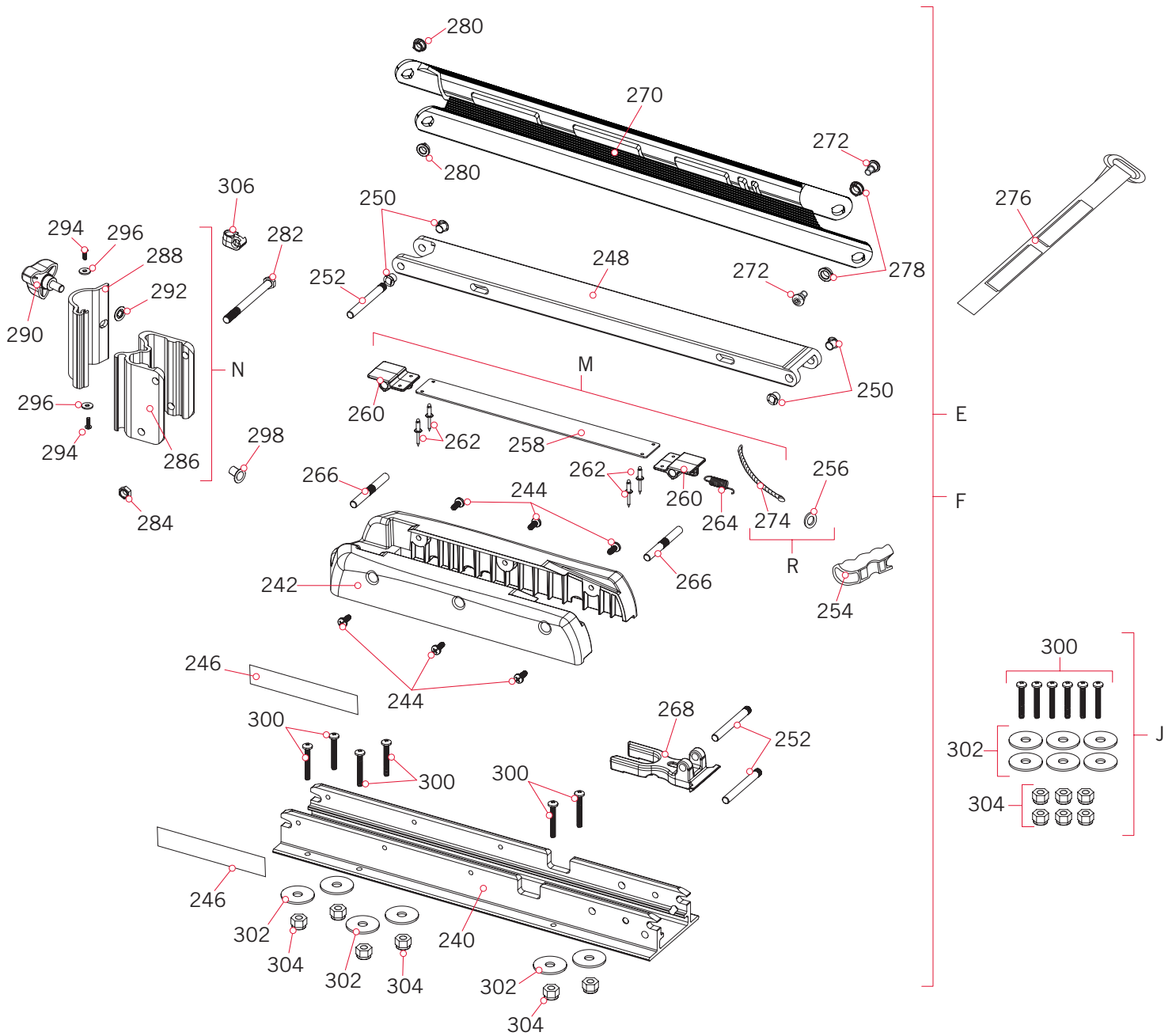
* This part is included in an assembly and cannot be ordered individually.



PARTS DIAGRAM & PARTS LIST

EDGE 70 MOUNT >

> Mount Parts Diagram



PARTS DIAGRAM & PARTS LIST

Mount Parts List

| Assembly | Part # | Description | Notes | Quantity |
|----------|---------|--------------------------------|-------|----------|
| E | 2991646 | MNT ASM EDGE FW SHORT | *45** | 1 |
| F | 2991647 | MNT ASM EDGE FW LONG | *52** | 1 |
| J | 2994838 | BAG ASSY-(BOLTS,NUTS,WASHERS) | | 1 |
| M | 2993812 | LATCH STRAP ASSEMBLY LONG | | 1 |
| N | 2991829 | HINGE BASE/DOOR ASY | | 1 |
| R | 2994886 | BAG ASSY, PULL GRIP/WASHER | | 1 |
| Item | Part # | Description | Notes | Quantity |
| 240 | 2266507 | BOWPLATE EXTRUSION,LNG,FW | *52** | 1 |
| | 2266502 | BOWPLATE EXTRUSION,STD,FW | *45** | 1 |
| 242 | 2263905 | MOTOR REST, A/T, BLK | | 1 |
| 244 | 2303430 | SCREW-1/4-20 X 5/8-SELFTAP ZP | | 6 |
| 246 | 2265702 | DECAL, MOTOR REST EDGE FW | | 2 |
| 248 | 2264377 | LOWER ARM EXT,LNG,FW | *52** | 1 |
| | 2264372 | LOWER ARM EXT,STD,FW | *45** | 1 |
| 250 | 2266002 | BEARING-NYLINER 3/8" SHAFT | | 4 |
| 252 | 2260503 | PIN-PIVOT | | 3 |
| 254 | 2150405 | PULL GRIP | *45** | 1 |
| | 2150400 | PULL-GRIP (RAW) | *52** | 1 |
| 256 | 2151700 | WASHER-EYE SHAFT(.562 OD) SS | | 1 |
| 258 | 2263607 | LATCH STRAP, LONG MOUNT | *52** | 1 |
| | 2263605 | LATCH STRAP, LOWER ARM | *45** | 1 |
| 260 | 2261902 | BRACKET-LATCH | *52** | 2 |
| | 2261903 | BRACKET-LATCH | *45** | 2 |
| 262 | 2268602 | RIVET 1/8" BUTTONHEAD BLIND SS | | 4 |
| 264 | 2262709 | SPRING-LATCH PIN | | 1 |
| 266 | 2260501 | PIN-LATCH | | 2 |
| 268 | 2261544 | YOKE-TUBE | | 1 |
| 270 | 2264272 | ARM-UPPER, LONG | *52** | 1 |
| | 2264271 | ARM-UPPER, SHORT | *45** | 1 |
| 272 | 2263510 | BOLT-SHOULDER, SS | | 2 |
| 274 | 2251601 | ROPE (44.5"), MAXXUM MNT | *45** | 1 |
| | 2251603 | ROPE (48"), EDGE MOUNT | *52** | 1 |
| 276 | 2263805 | STRAP-HOOK&LOOP,22.5"1-PC.BRKT | | 1 |
| 278 | 2267302 | BUSHING-PWDR MTL 7/16 ID SS | | 2 |
| 280 | 2267303 | BUSHING-PWDR MTL 3/8 ID SS | | 2 |
| 282 | 2263505 | BOLT 3/8-16 UNC X 4.25" HEXHD | | 1 |

▲ Not shown on Parts Diagram.

✳ This part is included in an assembly and cannot be ordered individually.

PARTS DIAGRAM & PARTS LIST



| Item | Part # | Description | Notes | Quantity |
|------|---------|--------------------------------|-------|----------|
| 284 | 2263114 | NUT-NYLOCK JAM 3/8-16 UNC | | 1 |
| 286 | 2261892 | HINGE BASE EXTRUSION,FW | | 1 |
| 288 | 2261897 | HINGE DOOR EXTRUSION,FW | | 1 |
| 290 | 2260905 | KNOB-SOFT GRIP,HG/DR,ZNC | | 1 |
| 292 | 2261728 | WASHER-RETAINING 3/8 THREADS | | 1 |
| 294 | 2053415 | SCREW-#8-32 X 3/8 TRI-LOBE PPH | | 2 |
| 296 | 2261732 | WASHER-#8, NYLON BLACK | | 2 |
| 298 | 2264703 | INSERT-THREADED (EDGE) | | 1 |
| 300 | 2263462 | SCREW-1/4-20 X 2" S/S PPH ADJT | | 6 |
| 302 | 2261713 | WASHER-1/4 FLAT 18-8 SS | | 6 |
| 304 | 2263103 | NUT-1/4-20 NYLOCK SS | | 6 |
| 306 | 2262310 | GUIDE-ROPE | | 1 |

▲ Not shown on Parts Diagram.

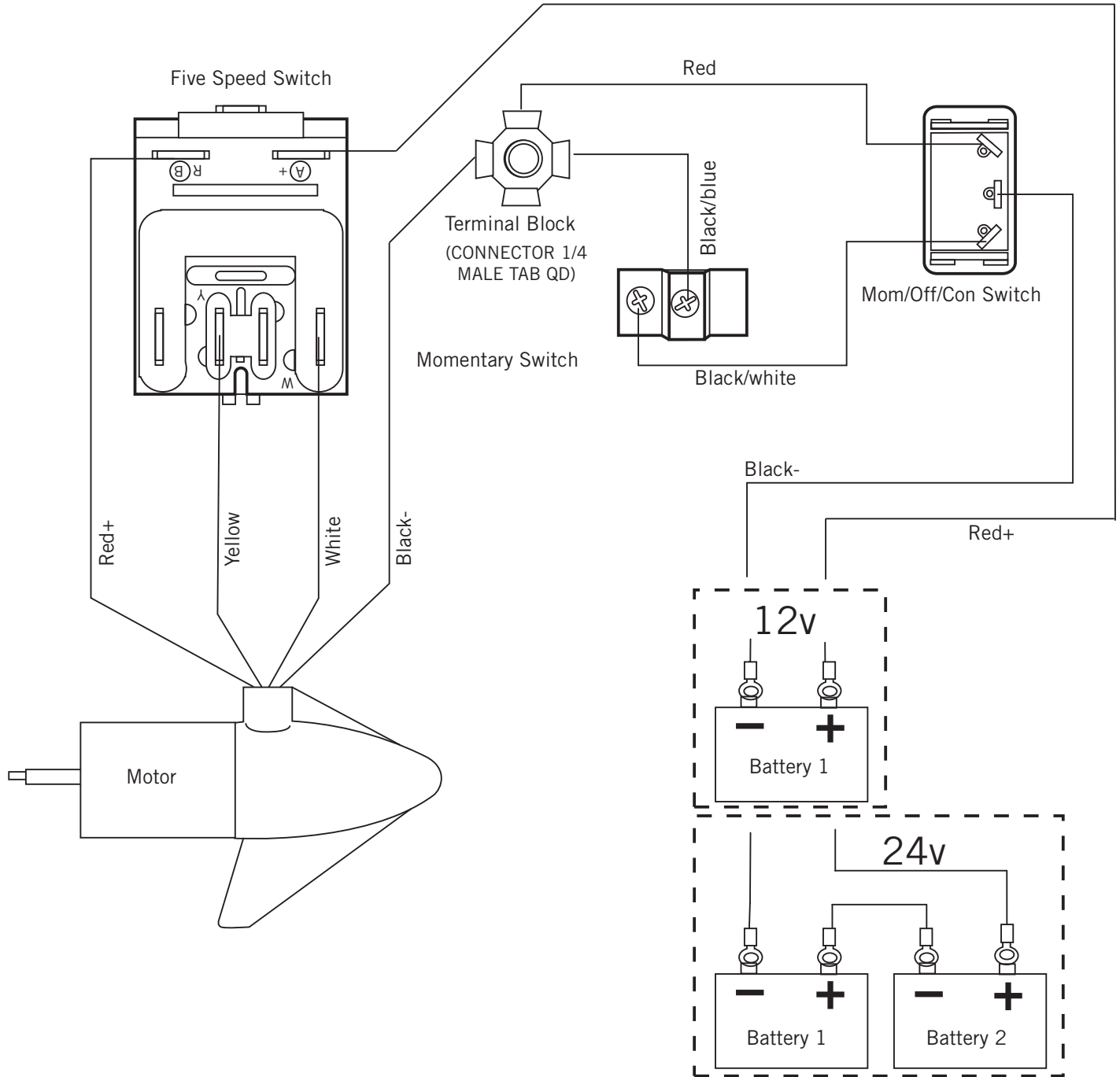
✘ This part is included in an assembly and cannot be ordered individually.



MOTOR WIRING DIAGRAM

EDGE

The following Motor Wiring Diagram applies to all Edge Foot Control models.



NOTICE: This is a multi-voltage diagram. Double-check your motor's voltage for proper connections. Over-Current Protection Devices are not shown in this illustration.