

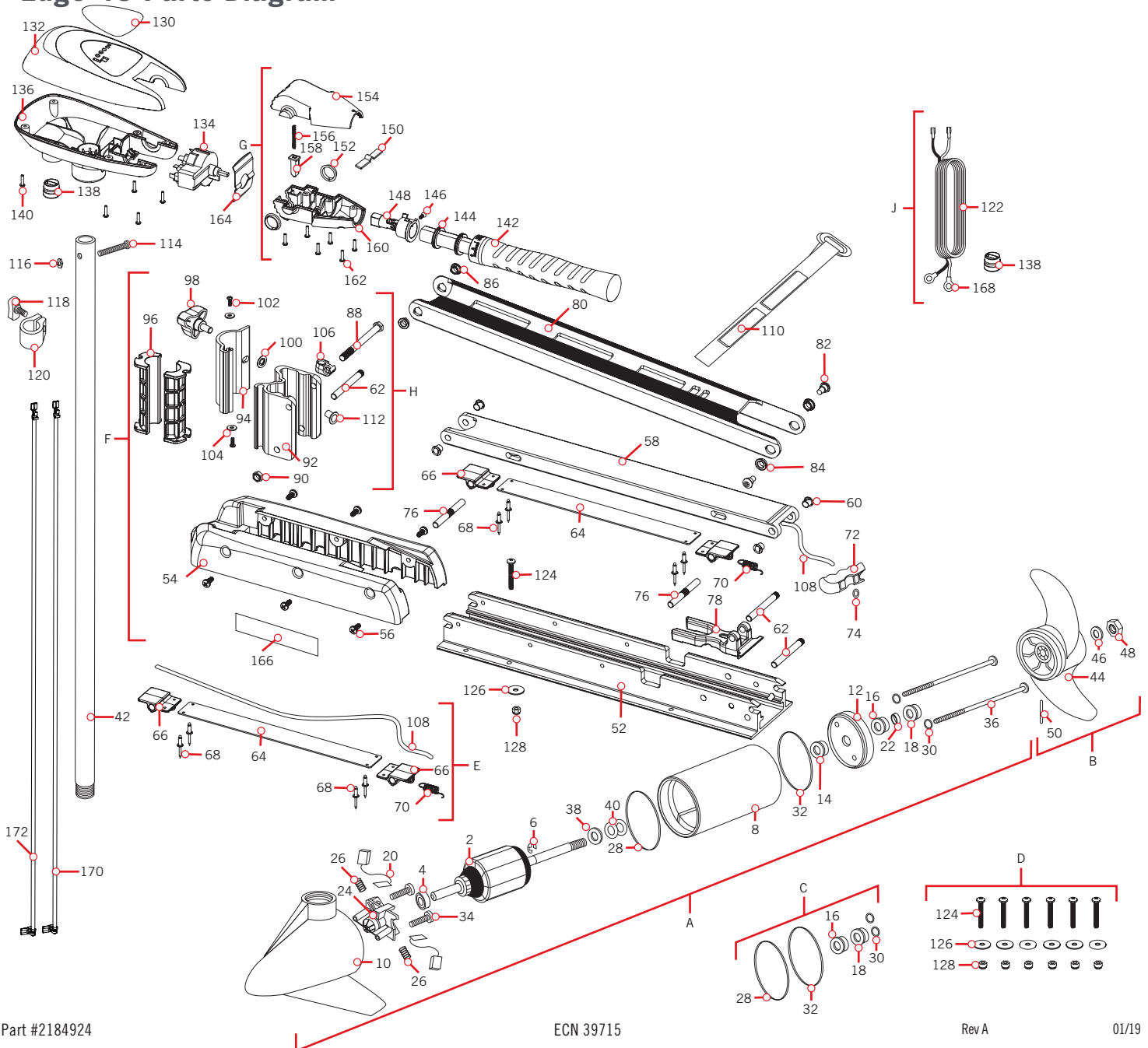
# PARTS DIAGRAM & PARTS LIST

## EDGE - 45 THRUST - 12 VOLT - 45" SHAFT

The parts diagram and parts list provides Minn Kota® WEEE compliance disassembly instructions. For more information about where you should dispose of your waste equipment for recycling and recovery and/or your European Union member state requirements, please contact your dealer or distributor from which your product was purchased. Tools required, but not limited to: flat head screwdriver, Phillips screwdriver, socket set, pliers, wire cutters.

### EDGE 45

### Edge 45 Parts Diagram



Part #2184924

ECN 39715

Rev A

01/19

# PARTS DIAGRAM & PARTS LIST



## » Edge 45 Parts List

Assembly	Part #	Description	Quantity
A	2069286	MOTOR ASSEMBLY 12V F/W 3.25 5SPCO *45LB*	1
B	1378121	PROPELLER KIT 3.25 *45LB*	1
C	2883460	SEAL & O-RING KIT 3.25 *45LB*	1
D	2994838	BAG ASSEMBLY - BOLTS NUTS WASHERS	1
E	2993811	LATCH STRAP ASSEMBLY, STD, 45"	1
F	2991646	MOUNT - ASSEMBLY SHORT FW	1
G	2990467	HANDLE ASM, 5-3 SPD FW/SW	1
H	2991829	HINGE/BASE/DOOR ASSEMBLY	1
J	2992527	LEADWIRE ASSEMBLY EDGE /HC	1
Item	Part #	Description	Quantity
2	2-100-202	ARM ASSEMBLY 12 V 3.25	1
4	140-010	BALL BEARING	1
6	788-015	RETAINING RING	1
8	2-200-079	CENTER HOUSING ASSEMBLY	1
10	2-300-134M	BRUSH END HOUSING ASSEMBLY SPDCO	1
12	2-400-128	PLAIN END HOUSING ASSEMBLY	1
14	144-049	BEARING FLANGE	1
16	880-003	SEAL	1
18	800-006	SEAL W/SHIELD	1
20	188-052	BRUSH ASSEMBLY	2
22	725-035	TUBE - BRUSH RETENTION	1
24	738-030	BRUSH PLATE WITH HOLDER	1
26	975-032	SPRING - COMPRESSION	2
28	701-039	O-RING MK406460	1
30	701-007	O-RING THRU BOLT	2
32	701-041	O-RING	1
34	830-001	#8-32 SCREW	2
36	830-078	THRU BOLT 8-32X8.96	2
38	990-067	WASHER, STEEL THRUST	1
40	990-070	WASHER, NYLATRON	2
42	2032058	COMPOSITE TUBE	1
44	2061122	PROPELLER	1
46	2151726	WASHER, 5/16 SS	1
48	2053101	NUT, PROP NYLOC	1
50	2092600	PIN, DRIVE	1
52	2266502	BOWPLATE, FW, STD, 45"	1
54	2263905	MOTOR REST - BLACK	1

▲ Not shown on Parts Diagram.

\* This part is included in an assembly and cannot be ordered individually.



# PARTS DIAGRAM & PARTS LIST



Item	Part #	Description	Quantity
56	2303430	SCREW 1/4-20 X 5/8	6
58	2264372	LOWER ARM, FW, STD.	1
60	2266002	BEARING - NYLINER 3/8" SHAFT	4
62	2260503	PIVOT PIN	3
64	2263605	LATCH STRAP, STD, 45"	1
66	2261902	BRACKET - LATCH	2
68	2268602	RIVET 1/8" SS	4
70	2262709	SPRING- LATCH PIN	1
72	2150405	PULL - GRIP	1
74	2151700	WASHER - EYE SHAFT .562 OD	1
76	2260501	LATCH PIN	2
78	2261544	YOKE - TUBE	1
80	2264271	ARM - UPPER, SHORT FW	1
82	2263510	BOLT - SHOULDER, SS	2
84	2267302	BUSHING - LOWER 7/16" ID, SS	2
86	2267303	BUSHING - UPPER 3/8" ID, SS	2
88	2263505	BOLT 3/8-16 X 4/25"	1
90	2263114	NUT - NYLOCK JAM 3/8-16	1
92	2261892	HINGE BASE, FW	1
94	2261897	HINGE DOOR, FW	1
96	2261537	HINGE SLEEVE	2
98	2260905	HANDLE - SOFT GRIP, L&D	1
100	2261728	WASHER - RETAINING 3/8"	1
102	2053415	SCREW - #8-32 X 3/8" TRI	2
104	2261732	WASHER #8, NYLON	2
106	2262310	ROPE GUIDE	1
108	2251601	ROPE - 44.5"	1
110	2263805	HOOK AND LOOP STRAP	1
112	2264703	INSERT - THREADED	1
114	2033400	SCREW - 10-24 X 1-3/4	1
116	2013110	NUT - 10-24 HEX (ZCP)	1
118	2011365	SCREW - COLLAR/NEW KNOB	1
120	2031520	COLLAR - DEPTH W/O INSERT	1
122	2090650	LEADWIRE - 10 GA RINGS	1
124	2263462	SCREW - 1/4-20X2 SS	6
126	2261713	WASHER - 1/4 FLAT 18-18	6
128	2263103	NUT - 1/4-20 NYLOC-JAM	6
130	2265784	DECAL-COVER, EDGE 45/HC	1

▲ Not shown on Parts Diagram.

\* This part is included in an assembly and cannot be ordered individually.



# PARTS DIAGRAM & PARTS LIST



Item	Part #	Description	Quantity
132	2060298	COVER, CONTROL BOX, TRAXXIS FW	1
134	2064028	SWITCH 5 SPEED	1
136	2062505	CONTROL BOX, 5 SPD, FW	1
138	2062905	STRAIN RELIEF	1
140	2303412	SCREW, #6 X 5/8 SS	6
142	2990465	GRIP/HANDLE ASSY, 5SPD	1
144	2060015	BEARING, HANDLE	2
146	2063405	SCREW, #6 PFH SS	1
148	2994091	YOKE / SPIDER ASSY, 5SPD	1
150	2302742	SPRING, DETENT, OFF	1
152	2060005	BEARING, HANDLE PIVOT	2
154	2060900	HANDLE PIVOT, TOP	1
156	2302745	SPRING, RELEASE BUTTON	1
158	2063700	BUTTON, RELEASE	1
160	2060905	HANDLE PIVOT, BOTTOM	1
162	2303412	SCREW, #6 X 5/8 SS	6
164	2062715	SPRING, HANDLE PIVOT	1
166	2265702	MOTOR REST DECAL, FW	2
168	2020700	TERMINAL RING, 3/8"	2
170	640-005	LEADWIRE BLK 10 AWG 57 GPT	1
172	640-134	LEADWIRE RED 10 AWG 58 GPT	1
▲	2186300	TIE WRAP, 11.5" TEMP -40 TO 180	1
▲	2015800	HANG TAG CAUTION TILT HINGE	1
▲	2015801	HANG TAG PINK CAUTION HG/DR	1
▲	2187106	MANUAL, EDGE/HC	1
▲	2184924	PARTS LIST EDGE 45/HC	1

▲ Not shown on Parts Diagram.

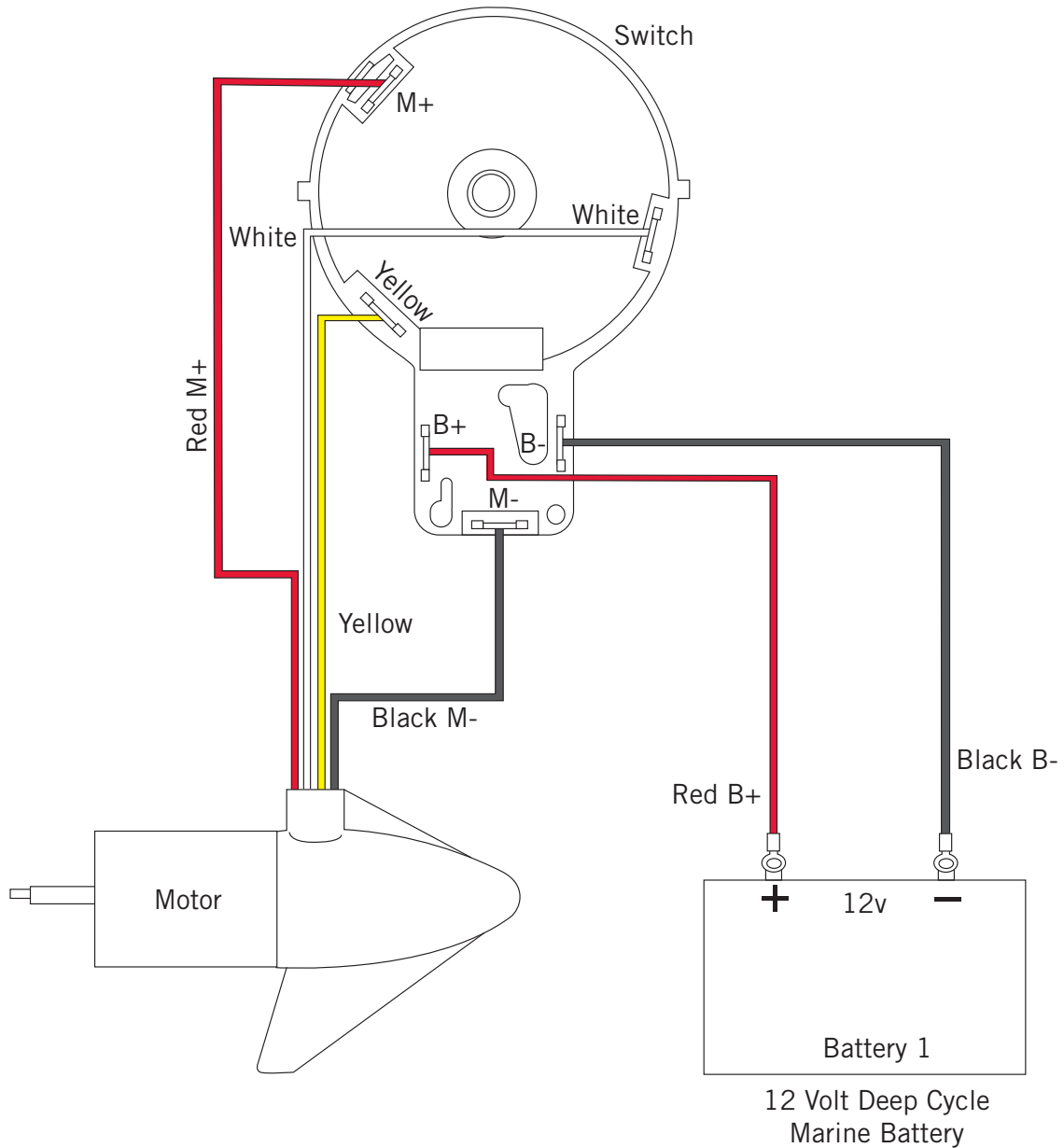
\* This part is included in an assembly and cannot be ordered individually.



# MOTOR WIRING DIAGRAM

## EDGE

The following Motor Wiring Diagram applies to all Edge Hand Control models.



**NOTICE:** This is a multi-voltage diagram. Double-check your motor's voltage for proper connections. Over-Current Protection Devices are not shown in this illustration.