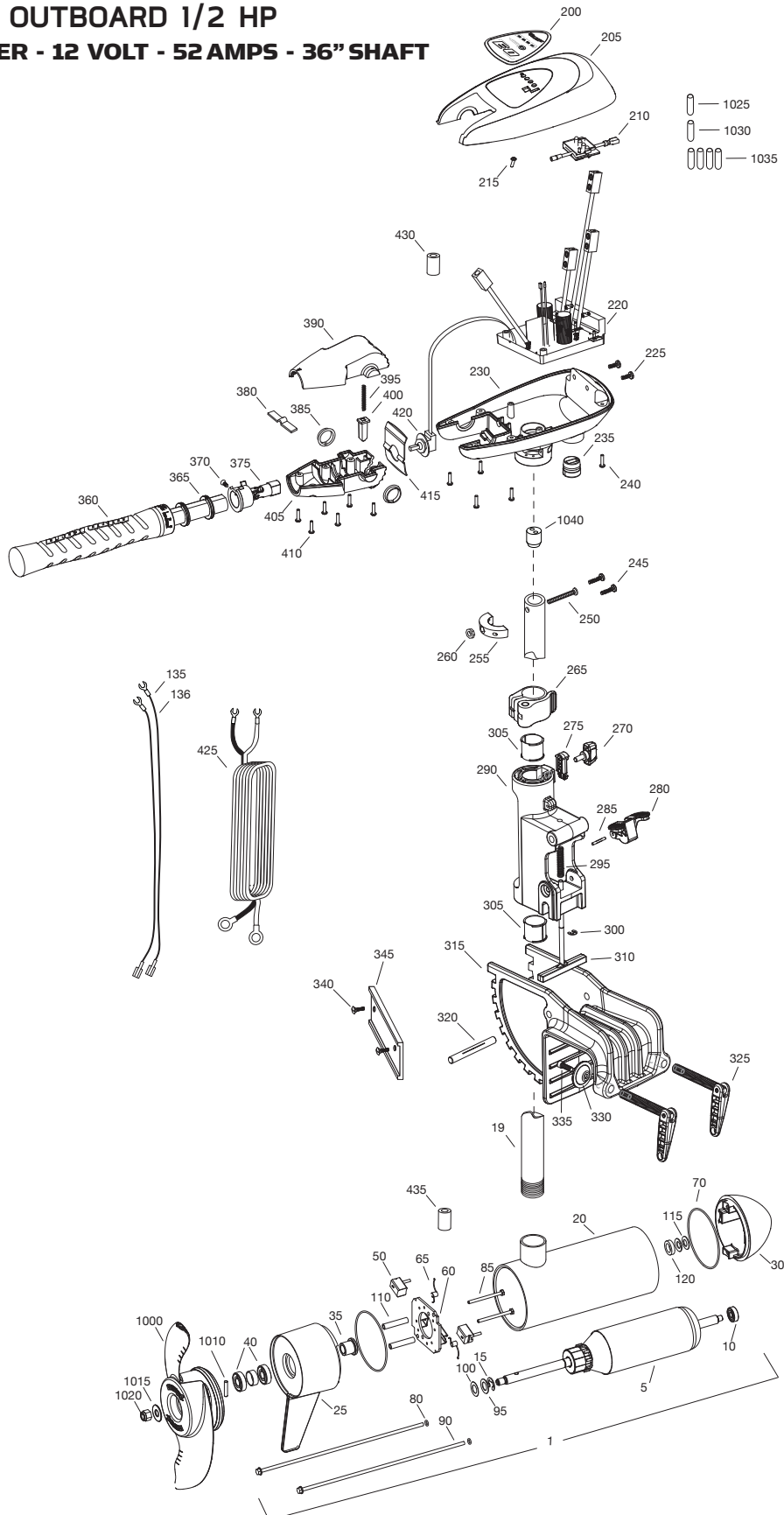


PARTS DIAGRAM

for use with "Q" serial numbers 2-year warranty

EO ELECTRIC OUTBOARD 1/2 HP
1/2 HORSEPOWER - 12 VOLT - 52 AMPS - 36" SHAFT



PARTS LIST

EO ELECTRIC OUTBOARD 1/2 HP 1/2 HORSEPOWER - 12 VOLT - 36" SHAFT

ITEM	QTY	PART NUMBER	DESCRIPTION
1	1	2316290	12V MOTOR 4" SW 1/2 HP
5	1	2-100-225	ARMATURE ASSEMBLY
10	1	140-010	BEARING
15	1	788-040	RETAINING RING
19	1	2092000	TUBE (COMPOSITE) 36"
20	1	2-200-397	CENTER HOUSING ASSEMBY
25	1	2-300-340	BRUSH END HOUSING ASSEMBLY
30	1	421-376	PLAIN END HOUSING ASSEMBLY STD
35	1	144-017	FLANGE BEARING (SERVICE ONLY)
40	2	880-025	SEAL
50	2	188-094	BRUSH
60	1	92-600-225	BRUSH PLATE ASSEMBLY 4" 1/2 HP KIT
65	2	975-041	BRUSH SPRING
■	1	2889460	SEAL AND O-RING KIT [40, 70-80]
70	2	701-043	O-RING, MOTOR
80	2	701-009	O-RING, THRU-BOLT
85	2	830-027	SCREW, 10-32 X 1/2"
90	2	830-094	THRU-BOLT #12-24 X 10.31
95	1	990-051	WASHER, STEEL
100	1	990-052	WASHER, NYLATRON
110	1	973-025	SPACER, BRUSH PLATE
115	1	992-010	WASHER, BELLEVILLE
120	2	992-045	THRUST SPACER
135	1	640-037	LEADWIRE, BLACK
136	1	640-137	LEADWIRE, RED
200	1	2095686	DECAL, C-BOX COVER
205	1	2090201	C-BOX COVER
210	1	2074080	BATTERY METER, 12V SW
215	2	2043427	SCREW, #8 X 7/8 SS
220	1	2884110	CONTROL BOARD
■	1	2888400	POTENTIOMETER REPLACEMENT KIT
225	2	2303434	SCREW, #8-32 X 5/8 SS
230	1	2092503	CONTROL BOX, VARS, SW
235	1	2062905	STRAIN RELIEF
240	6	2303412	SCREW, #6-20 X 5/8 SS
245	2	2263434	SCREW, #8-18 X 1 SS
250	1	2263406	SCREW, #10-24 X 2" PPH SS
255	1	2061517	COLLAR, C-BOX
260	1	2333101	NUT, #10-24, NYLOCK, SS
265	1	2991521	CAM LOCK/DEPTH COLLAR ASSY
■	1	2991714	BRACKET ASSY, ALUMINUM [270-335]
270	1	2011366	KNOB, SCREW-COLLAR, SS

ITEM	QTY	PART NUMBER	DESCRIPTION
275	1	2062801	TENSION BLOCK
280	1	2077202	LEVER-TILT, TRANSOM BRACKET
285	1	2070512	PIN-HINGE, 1/8 X 1
290	1	2071863	HINGE-SW
295	1	2332700	SPRING-(T-BAR), SS
300	1	2333001	E-RING, SS
305	2	2037301	BUSHING, HINGE
310	1	2073604	T-BAR, (E-COAT)
315	1	2071947	BRACKET, SAND CAST SW
320	1	2070514	PIN-HINGE, 3/8 X 3.5, SS
325	2	2991303	CLAMP SCREW, HANDLE ASSY.
330	2	2331700	WASHER-CLAMP SCREW, SS
335	2	2263452	SCREW, 1/4-20 X 3/4 SHCS, SS
■	1	2994844	BAG ASSEMBLY, TRANSOM EXTRUSION
340	2	2053421	SCREW 1/4-14 X 1 PFH, SS
345	1	2058415	TRANSOM EXTRUSION
■	1	2990957	HANDLE ASSY, VARS [360-410]
360	1	2990456	GRIP/HANDLE ASSY, VARS [360-375]
365	2	2060015	BEARING, HANDLE
370	2	2063405	SCREW, #6 PFH SS
375	1	2884092	YOKE / SPIDER ASSY, VARS
380	1	2302742	SPRING, DETENT, OFF
385	2	2060005	BEARING, HANDLE PIVOT
390	1	2060900	HANDLE PIVOT, TOP
395	1	2302745	SPRING, RELEASE BUTTON
400	1	2063700	BUTTON, RELEASE
405	1	2060905	HANDLE PIVOT, BOTTOM
410	6	2303412	SCREW, #6-20 X 5/8 SS
415	1	2062715	SPRING, HANDLE PIVOT
420	1	2061700	WASHER, POT HOLDER
425	1	2881402	LEADWIRE (POWER CABLE) KIT (INCLUDES 235)
430	1	2307316	FERRITE BEAD
435	1	2307312	FERRITE BEAD
■	1	1378132	PROPELLER KIT WW2 [1000-1020]
1000	1	2331160	PROPELLER WW2
1010	1	2262658	DRIVE PIN, LARGE
1015	1	2091701	WASHER, PROP, LARGE
1020	1	2198401	NUT, NYLOCK, PROP, ANODE
1025	1	2305415	SHRINK TUBE
1030	1	2305410	SHRINK TUBE
1035	4	2095400	SHRINK TUBE
1040	1	2096700	PLUG WIRE

■ THIS ITEM IS PART OF AN ASSEMBLY.
*THIS ITEM IS PART OF A KIT AND ONLY LISTED FOR VIEWING PURPOSES.

MOTOR WIRING DIAGRAM

EO 1/2 HP is 12-volt only!

