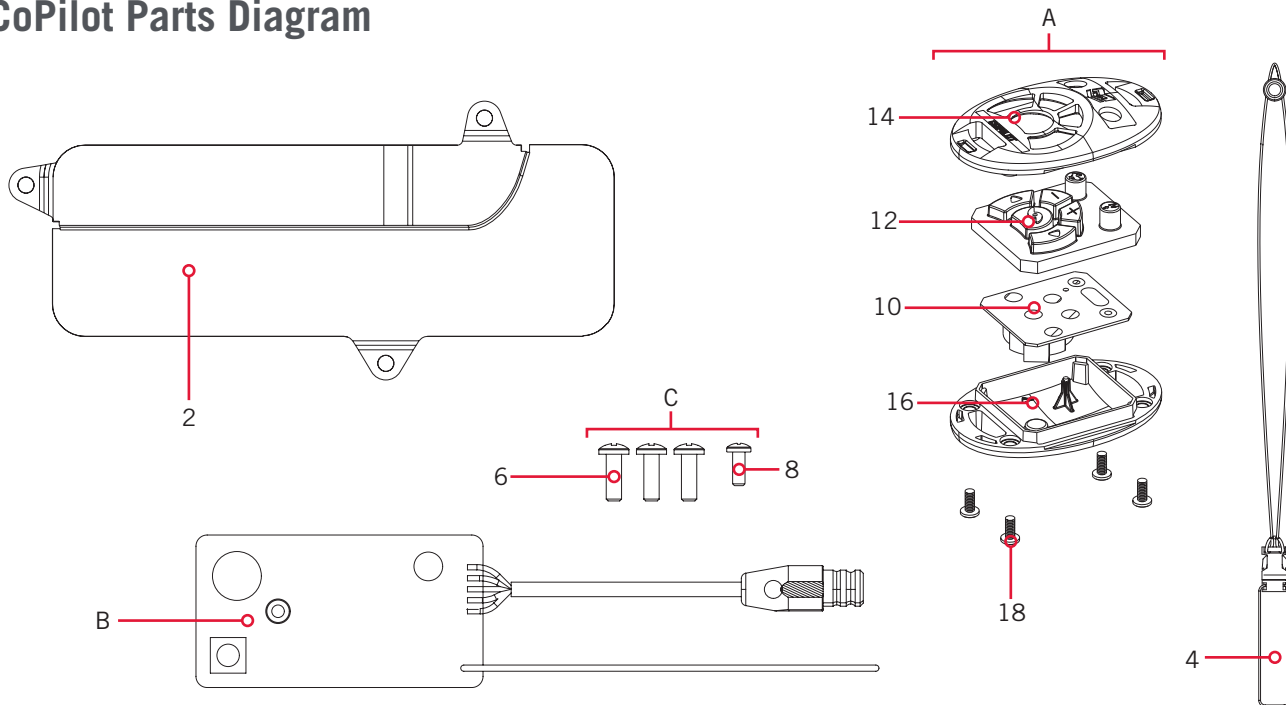


# PARTS DIAGRAM & PARTS LIST

## COPILOT ACCESSORY

TERROVA >

### > CoPilot Parts Diagram



### > CoPilot Parts List

Assembly	Part #	Description	Quantity
A	2994095	TRANSMITTER ASY,TRRV CPLT	1
B	2374197	PCB ASY COPLT REC.TERROVA	1
C	2994865	BAG ASY PD PRO CO-PILOT	1
Item	Part #	Description	Quantity
2	2370220	COVER,CO-PILOT,FW	1
4	2390801	LANYARD, REMOTE	1
6	2301310	SCREW-#8-18 X 1/2 (SS)*	3
8	2332103	SCREW-#6-20 X 3/8 THD*(SS)	1
10	✘	PCB ASY, CO-PILOT TRANSMITTER	1
12	2375112	KEYPAD, TRANSMITTER ASSY	1
14	2372504	CASE, COVER TRANSMITTER ASM	1
16	2372505	CASE, BOTTOM, TRANSMITTER ASSY	1
18	2373440	SCREW-#4-24 X 1/4 PHCR SS TY B	4
▲	2377121	MANUAL-COPILOT,TERROVA	1

✘ This part is included in an assembly and cannot be ordered individually.

▲ Not shown on Parts Diagram.