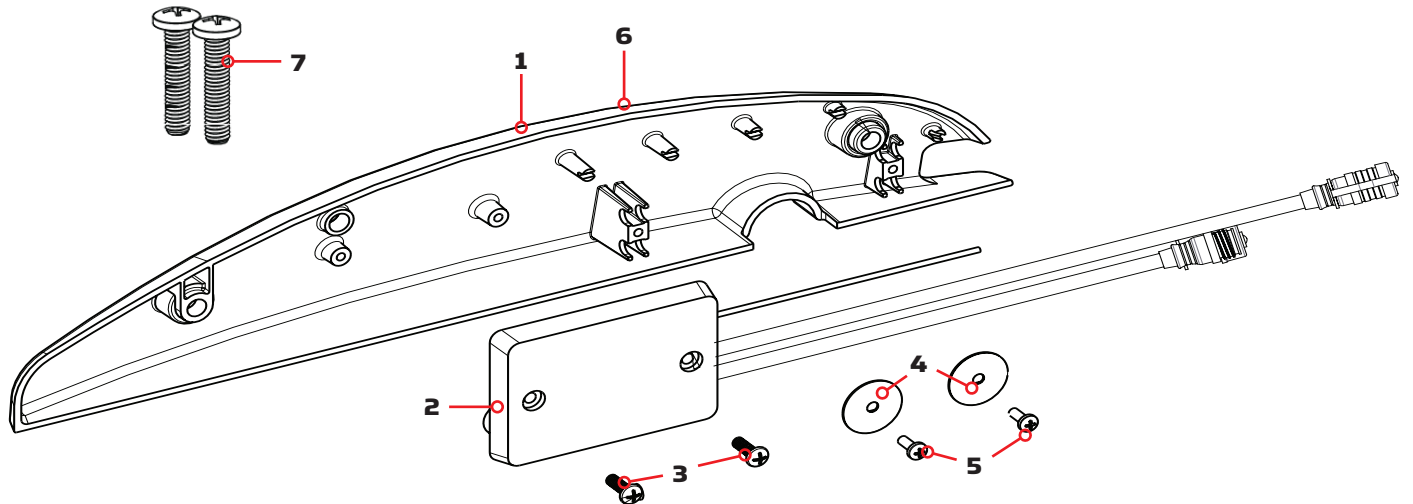


PARTS DIAGRAM

POWERDRIVE V2/RIPTIDE SP COPILOT RECIEVER



■ Black Reciever Assembly
Items 1-5

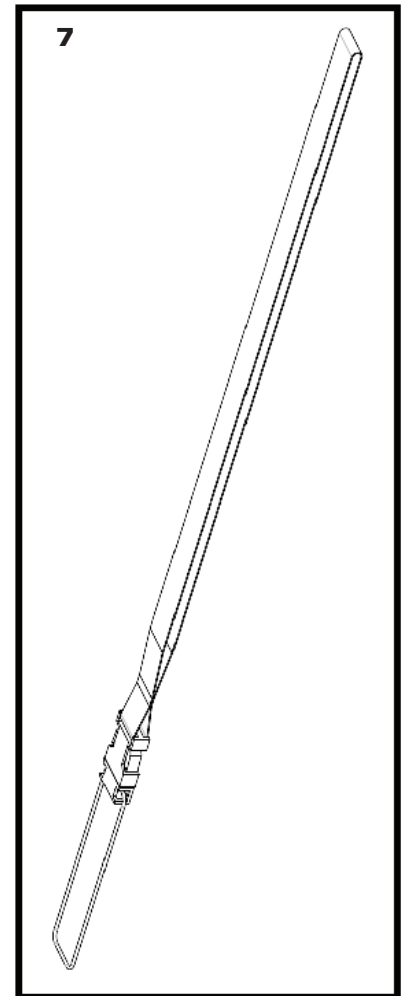
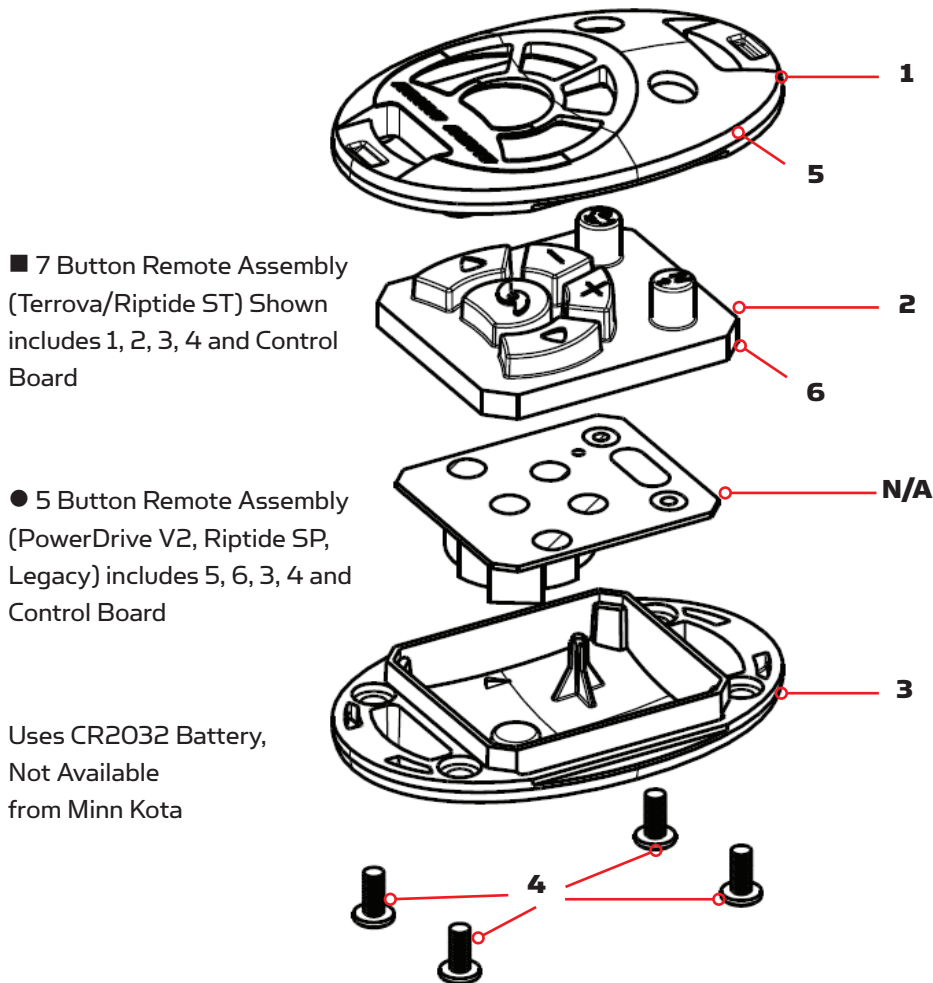
● White Reciever Assembly
Items 2-6

PowerDrive V2/Riptide SP CoPilot Reciever Parts List

ITEM	QTY	PART NUMBER	DESCRIPTION
■	1	2774088	RECEIVER ASY,PD V2,SERV
●	1	2774089	RECEIVER ASY,PD R/S CPLT SW
1	1	2372510	CASE, RECEIVER ASSY, FW-BLACK
2	1	2374092	CTRL BOARD V2 COPILOT REC(SUB)
3	2	2373418	SCREW-#8 X 5/8 PPHSMS S/S
4	2	2371727	WASHER-FLAT .875 X.165 X.030 SS
5	2	2373450	SCREW-#8-18 X 3/8" THRD.CUT SS
6	1	2372511	CASE, RECEIVER SW-WHT
7	2	2373442	SCREW-1/4-20 X 1.75 PPH MACH

PARTS DIAGRAM

COPILOT REMOTE



CoPilot Remote Parts List

ITEM	QTY	PART NUMBER	DESCRIPTION
■	1	2774095	TRANSMITTER ASY, TERROVA, SERV
●	1	2774023	TRANSMITTER ASY, CO-PILOT, PD/AP
1	1	2372502	CASE, COVER, TRANSMITTER ASY
2	1	2375112	KEYPAD, TRANSMITTER ASSY
3	1	2372505	CASE BOTTOM, TRANS. ASSY
4	4	2373440	SCREW-#4-24 X 1/4 PHCR SS TY B
5	1	2372500	CASE, COVER, TRANSMITTER ASSY
6	1	2375110	KEYPAD, TRANSMITTER ASSY
7	1	2370818	LANYARD, REMOTE, I-PILOT (SUB)