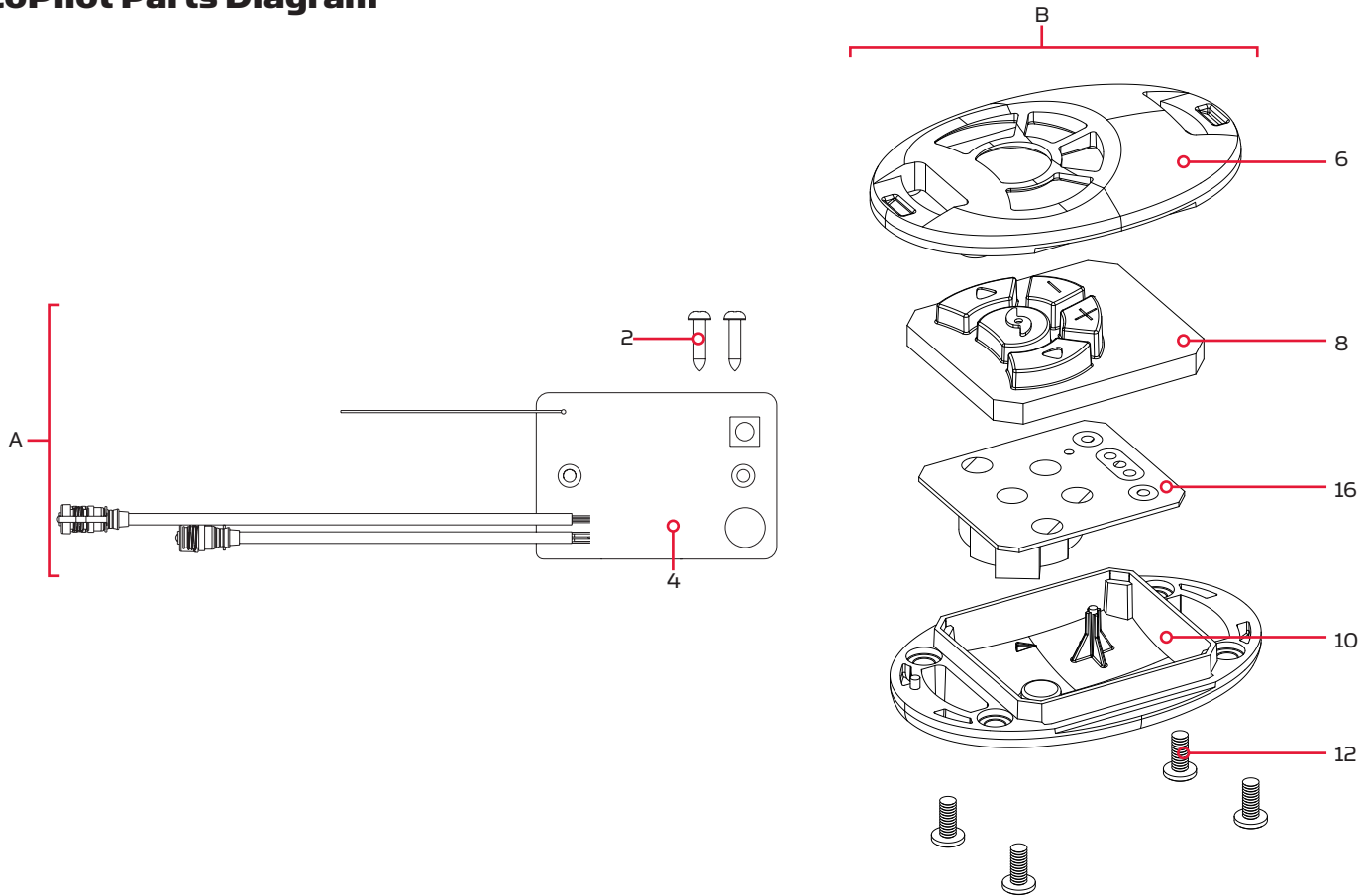


PARTS DIAGRAM & PARTS LIST

COPILOT ACCESSORY

PowerDrive

CoPilot Parts Diagram



CoPilot Parts List

Assembly	Part #	Description	Quantity
A	2994112	CTRL BOARD V2 COPILOT RECEIVER	1
B	2994020	TRANSMTR, ASY, PD/AP COPLT	1
Item	Part #	Description	Quantity
2	2373418	SCREW-#8 X 5/8 PPHSMS S/S	2
4	2374092	CTRL BOARD V2 COPILOT RECEIVER	1
6	2372500	CASE, COVER, TRANSMITTER ASY	1
8	2375110	KEYPAD, TRANSMITTER ASSY	1
10	2372505	CASE, BOTTOM, TRANSMITTER ASSY	1
12	2373440	SCREW-#4-24 X 1/4	4
14 ▲	2005621	DECAL - CE/RCM/WEE CMLPNC.MARK	1
16	✘	CTRL BOARD, TRANS, ASSY, TERROVA	1

✘ This part is included in an assembly and cannot be ordered individually.

▲ Not shown on Parts Diagram.