

MEGA 360 ICE INSTALLATION GUIDE

532856-1EN_A



 **HUMMINBIRD**®

**Accessory
Manual**

Thank You!

Thank you for choosing Humminbird®, the #1 name in marine electronics. Humminbird has built its reputation by designing and manufacturing top-quality, thoroughly reliable marine equipment. Your Humminbird accessory is designed for trouble-free use in even the harshest marine environment. In the unlikely event that your Humminbird does require repairs, we offer an exclusive Service Policy. For complete details, see the separate warranty card included with your unit. We encourage you to read this manual carefully in order to get the full benefit from all the features and applications of your Humminbird product.

Contact Humminbird Technical Support by visiting our Web site at humminbird.com or by calling **1-800-633-1468**.



WARNING! This device should not be used as a navigational aid to prevent collision, grounding, boat damage, or personal injury. When the boat is moving, water depth may change too quickly to allow time for you to react. Always operate the boat at very slow speeds if you suspect shallow water or submerged objects.



WARNING! The electronic chart in your Humminbird unit is an aid to navigation designed to facilitate the use of authorized government charts, not to replace them. Only official government charts and notices to mariners contain all of the current information needed for the safety of navigation, and the captain is responsible for their prudent use.



WARNING! Humminbird is not responsible for the loss of data files (waypoints, routes, tracks, groups, recordings, etc.) that may occur due to direct or indirect damage to the unit's hardware or software. It is important to back up your control head's data files periodically. See your control head operations manual for details.



WARNING! Disassembly and repair of this electronic unit should only be performed by authorized service personnel. Any modification of the serial number or attempt to repair the original equipment or accessories by unauthorized individuals will void the warranty.



NOTE: The illustrations in this manual may not look the same as your product, but your unit will function in a similar way.



NOTE: To purchase accessories for your control head, visit our Web site at humminbird.com or contact Humminbird Technical Support at **1-800-633-1468**.



NOTE: The procedures and features described in this manual are subject to change without notice. This manual was written in English and may have been translated to another language. Humminbird is not responsible for incorrect translations or discrepancies between documents.



NOTE: Product specifications and features are subject to change without notice.



NOTE: Humminbird verifies maximum stated depth in saltwater conditions, however actual depth performance may vary due to transducer installation, water type, thermal layers, bottom composition, and slope.

360 Imaging®, HELIX®, Humminbird®, MEGA 360 Imaging™, and X-Press™ Menu are trademarked by or registered trademarks of Johnson Outdoors Marine Electronics, Inc.

© 2021 Johnson Outdoors Marine Electronics, Inc. All rights reserved.

Table of Contents

Introduction	1
Compatibility.....	1
Supplies.....	2
Update Software	3
Software Requirements.....	3
Check the Current Software Version.....	3
Update Control Head Software with an SD Card.....	4
Update Accessory Software with an SD Card.....	5
Update Software with FishSmart.....	6
Install the MEGA 360 ICE Mount	7
1. Prepare for Installation.....	7
2. Install the MEGA 360 ICE Mount Base.....	7
3. Install the Handle.....	9
4. Install the Heading Sensor.....	10
Route the Cables and Connect Power	12
Set Up the Control Head	14
1. Confirm Connections.....	14
2. Set Up the Transducer.....	15
3. Test MEGA 360 Imaging on the Control Head.....	16
4. Confirm the Heading Sensor Operation.....	17
5. Add Offset Features to the MEGA 360 Imaging Display (optional).....	18
6. Set up the Network.....	19
Stop Pinging	20
Maintenance	21
MEGA 360 Imaging Maintenance.....	21
Control Head Maintenance.....	21

Table of Contents

Transducer Maintenance	22
Troubleshooting	23
Fishing System Doesn't Power Up	23
Fishing System Defaults to Simulator with a Transducer Attached	24
Finding the Cause of Noise	25
Specifications	26
Contact Humminbird	28

Introduction

The MEGA 360 ICE Imaging kit provides a mounting capability to use your MEGA 360 Imaging transducer on the ice. This manual will guide you through the following installation requirements for the MEGA 360 ICE Imaging transducer:

- Installing the MEGA 360 ICE Mount and Heading Sensor
- Connecting to the Control Head and Power
- Testing the Installation

Before proceeding with this installation, the ICE HELIX shuttle and control head should be installed. Refer to the ***ICE HELIX Shuttle Installation Guide*** for more information.

Compatibility

Control Heads: MEGA 360 ICE Imaging is compatible with the following Humminbird control heads:

- HELIX MEGA Imaging+ G3N and G4N models



NOTE: You must have a GPS heading sensor (compass) installed in order to use the MEGA 360 Imaging navigation features.



NOTE: MEGA 360 Imaging can be shared with all APEX/SOLIX models and HELIX G4N, G3N and G2N models over Ethernet.

Transducers: The MEGA 360 ICE Imaging transducer is compatible with the following transducers:

- Dual Spectrum CHIRP ICE
- HW Dual Spectrum
- HW MEGA DI+
- HW MEGA DI+/MEGA SI+
- Built-in MEGA Imaging transducer on a Minn Kota trolling motor

Cables: Your MEGA 360 ICE Imaging transducer comes with the cables required to connect directly to your Humminbird fish finder. This includes a MEGA 360 ICE power extension cable, a MEGA 360 ICE transducer extension cable, and a transducer splitter cable (y-cable), and a heading sensor quick disconnect cable.

Accessories: For the most current list of compatible accessories, visit our Web site at humminbird.com.

Supplies

In addition to the hardware included with your accessory, you will need the following supplies:

- Philips head screwdriver
- Marine-grade silicone sealant (optional)

Switch: A battery switch is included with the ICE HELIX and shuttle.

Power: The MEGA 360 ICE Imaging transducer **MUST** be connected to a 12 VDC power supply.

Update Software

Your control head model may need a software update to work with the MEGA 360 ICE Imaging transducer. We recommend that you read the following section completely before starting any software updates.

Software Requirements

- HELIX Series: 2.180 and later

Check the Current Software Version

It is helpful to review the software version number that is currently installed on the control head and each accessory.

1. Press and hold the VIEW key.
2. Select System > System Status.
3. Confirm the Software Version listed.

Update Control Head Software with an SD Card

You will need an SD or microSD card (depending on your control head model).



WARNING! Humminbird is not responsible for the loss of data files (waypoints, routes, tracks, groups, snapshots, recordings, etc.) that may occur due to direct or indirect damage to the unit's hardware or software. It is important to back up your control head data files periodically. See your control head operations manual for more information.

1. Before the control head software is updated or restored to system defaults, export your navigation data and copy your screen snapshots to an SD or microSD card. See your control head operations manual for instructions.
2. Install a formatted SD or microSD card into the computer card slot.
3. Go to **humminbird.com**, and click Support > Software Updates.
4. Click on your control head model. The available software updates are listed as downloads under each product. Confirm the file name is for your control head model.
 - Read the notices and instructions, and select Download.
 - Follow the on-screen prompts to save the software file to the SD or microSD card.
5. Repeat step 4 to download the software updates posted to each product.
6. Power on your Humminbird control head. Start **Normal** mode.
7. Insert the SD or microSD card (with the software file) into the control head card slot.
8. Follow the on-screen prompts to update the control head software.
9. When the software update is complete, remove the SD or microSD card from the control head card slot.
10. **Restart:** If you don't have any other software updates to install, power off the control head, and restart it.

Update Accessory Software with an SD Card

You will need an SD or microSD card (depending on your control head model).

1. Install a formatted SD or microSD card into the computer card slot.
2. Go to **humminbird.com**, and click Support > Software Updates.
3. Scroll down to Accessories and Mapping. The available software updates are listed as downloads under each accessory product. Confirm your control head model is listed in the software description.
 - Read the notices and instructions, and select Download.
 - Follow the on-screen prompts to save the software file to the SD or microSD card.
4. Power on your Humminbird control head. Start **Normal** mode.
5. Insert the SD or microSD card (with the software file) into the control head card slot.
6. The software will be automatically detected. It may take up to two minutes for the software to be detected on the network, and the control head will display a dialog box to indicate that the update is in progress.
7. When the software update is complete, remove the SD or microSD card from the control head card slot.
8. **Restart:** If you don't have any other software updates to install, power off the control head, and restart it.

Update Software with FishSmart

You can use the FishSmart App to download and push software updates directly to your Humminbird control head or accessory.



NOTE: Your control head must already be running software release 1.610 and later to support this feature.



NOTE: You must first download the FishSmart App and pair your mobile device to your control head. See the *FishSmart User Manual* for more information.

1. Open the FishSmart App on your mobile device.
2. **Apple iOS:** Tap the System menu icon.
Google Android: Tap the FishSmart main menu. Select system.
3. Tap Update next to the selected unit. The download progress is displayed on the screen.
4. Tap Transfer next to the selected unit once the download is complete.
5. Confirm the estimated transfer time.
6. Tap the checkbox to select where to upload the software update (internal storage, card slot 1, or card slot 2).
7. Tap Transfer. The upload progress is displayed on the System menu in FishSmart and in the System Status view on the control head.
8. Follow the on-screen prompts on the control head to complete the software installation.

Install the MEGA 360 ICE Mount

Use the following instructions to install the MEGA 360 Imaging ICE transducer mount. It is important to read the instructions completely and understand the mounting guidelines before you start the installation.

1. Prepare for Installation

1. Supplies: Philips screwdriver.
2. Complete the ICE HELIX Series Shuttle installation before proceeding with this installation.
3. When the transducer pod is in use, the pod should be completely submerged below the ice. The transducer pod should not have anything obstructing the 'view' of the rotating beams. If the beams are blocked, confirm that the transducer is below the ice and move other equipment, such as additional transducers, if possible.

2. Install the MEGA 360 ICE Mount Base

Use the following instructions to install the MEGA 360 ICE mounting assembly:

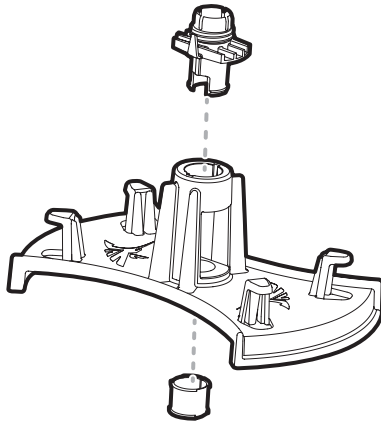
1. Slide the cam lock over the MEGA 360 cables and down the pod shaft.
2. Determine the desired height for the ice base, depending on the thickness of the ice, and close the lever arm to lock the cam lock into position.



NOTE: The MEGA 360 pod must be submerged below the ice.

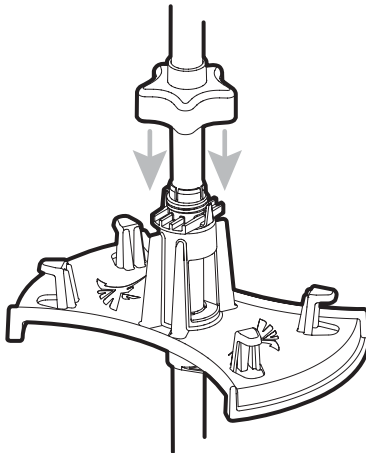
3. From the bottom of the ice base, insert the round, black bushing into the center of the base. You will hear it snap into place.
4. From the top of the ice base, line up the collet with the keyed grooves in the base and slide it into place.

Assembling the Base



5. Thread the MEGA 360 cables up through the ice base, and slide the ice base down the pod shaft. It will rest on the cam lock.
6. Thread the MEGA 360 cables up through the knob and slide the knob down the pod shaft.

Attaching the Knob



7. Twist to tighten the knob over the collet on the ice base.
Adjust the height of the ice base as needed.

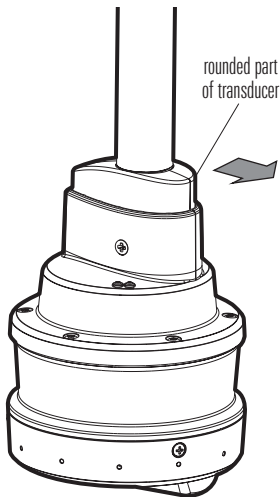
3. Install the Handle

1. Push the nut out of the depth collar.
2. Thread the MEGA 360 cables up through the depth collar and slide the depth collar down the shaft to the desired height.
3. Place the bolt through the counterbore hole in the depth collar and screw on the handle. **Hand-tighten only!**



TIP: Orient the handle so it is parallel with the front of the transducer.

Aligning the Transducer



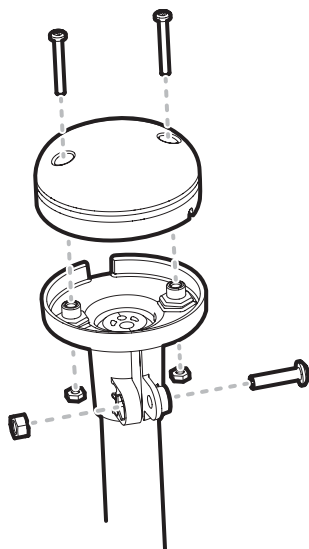
4. Install the Heading Sensor

1. Thread the MEGA 360 cables up through the heading sensor mount.
2. Position the heading sensor mount at the top of the pod shaft.
3. The mount should be aligned so the opening for the cables is toward the back of the MEGA 360 Imaging pod.
4. Secure the heading sensor mount with one 1/4 - 20 screw and one 1/4 - 20 hex nut through the stem.
5. Route the MEGA 360 cables through the opening of the heading sensor mount and hold them in place.
6. Position the sensor so that the arrow on the cover is parallel with the front of the transducer (rounded part).
7. Attach the heading sensor to its base using the two #8 - 32 x 1 1/4" screws and two #8 - 32 hex nuts.

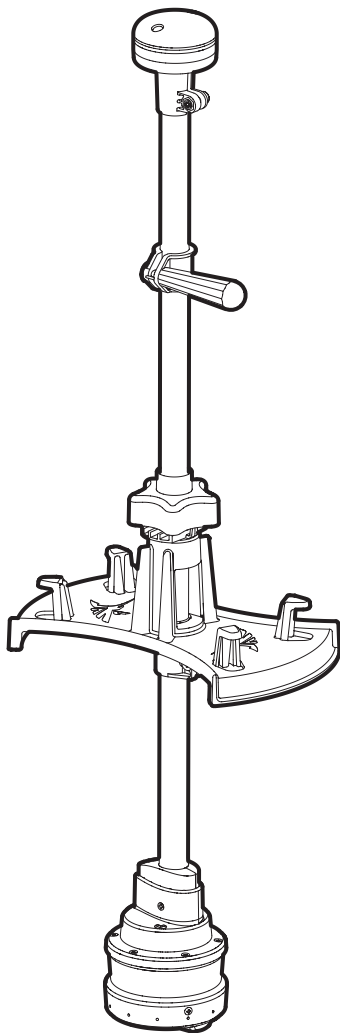


NOTE: Failure to align the sensor correctly will result in incorrect compass readings.

Installing the Heading Sensor



Fully Assembled MEGA 360 ICE



Route the Cables and Connect Power

The MEGA 360 ICE transducer comes with quick disconnect cables so that you can quickly and easily disconnect your MEGA 360 ICE transducer from your ICE HELIX control head and shuttle.

WARNING! The power source must be turned off before you proceed with this installation.

WARNING! The MEGA 360 Imaging transducer should be connected to a battery switch and 1 amp fuse.

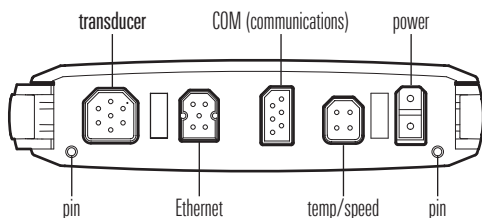
NOTE: See the ICE HELIX Installation Guide for more information about connecting the battery, the power switch and the HELIX cable tray.

1. Route the MEGA 360 ICE sonar Y-cable and heading sensor quick disconnect cable to the HELIX cable tray.

See the *ICE HELIX Installation Guide* for more information about routing cables to the cable tray.

NOTE: If you have an ice transducer installed, you must disconnect it from the HELIX sonar port and connect it to the MEGA 360 ICE sonar Y-cable.

HELIX 8, 9, 10, 12 Cable Tray



2. Route the other end of the MEGA 360 ICE sonar Y-cable, heading sensor quick disconnect cable and one SAE port from the power backbone through the side grommet on the shuttle.
3. Connect one end of the MEGA 360 ICE power extension cable to the SAE port and connect the other end to the power cable connector on the MEGA 360 ICE pod shaft.

4. Connect one end of the MEGA 360 ICE sonar extension cable to the MEGA 360 ICE sonar Y-cable and connect the other end to the sonar cable connector on the MEGA 360 ICE pod shaft.
5. Connect the heading sensor cable to the heading sensor quick disconnect cable.
6. **Cable Management:** Wrap excess cable using the molded hooks on the MEGA 360 ICE adapter base.



NOTE: The connectors are keyed to prevent reversed installation, so be careful not to force the connectors. Hand-tighten the screw nuts on each connector.



NOTE: Secure the cables with cable ties along the route as needed for a clean assembly.

Set Up the Control Head

When the control head detects the MEGA 360 Imaging transducer, it will select it automatically as the 360 sonar source. The related views and menus will be added to the system.

Use the following instructions to power on the control head and confirm the MEGA 360 Imaging transducer is detected by the unit.

⚠ CAUTION! It is important to finish all installation connections before powering on the control head.

1. Confirm Connections

1. Turn on the power source from the main switch.
2. On the control head, press the POWER key. **If you are powering on a control head in a multiple-control head Ethernet network**, power on the control head that is connected to the MEGA 360 Imaging transducer first.
3. When the Title screen is displayed, press the MENU key.
4. Select Normal. Press the RIGHT Cursor key.
5. Press and hold the VIEW key. Select System > Accessory Test. Confirm that **MEGA 360 Imaging** is listed as Connected.

HELIX Accessory Test

Accessory Test	
360 Imaging	UNCONNECTED
BT Talon	UNCONNECTED
GPS	CONNECTED
i-Pilot	UNCONNECTED
MEGA 360 Imaging v1.040 S/N: 19082901-0072	CONNECTED
NMEA2K Gateway	UNCONNECTED
Radar	UNCONNECTED
Remote	UNCONNECTED
Speed	UNCONNECTED
Temperature	CONNECTED

MEGA 360 Imaging listed as Connected



NOTE: If the Accessory Test is not displayed in the View Rotation, press the MENU key twice to open the Main Menu. Select the Views tab > Accessory Test. Change the setting to Visible.

2. Set Up the Transducer

Use the following instructions to select the connected transducer for your control head. These steps are only required the first time you set up your HELIX control head with a new transducer.

1. **Main Menu:** Press the Menu key twice.
2. Select the Sonar tab > Connected Transducer.
3. Press the RIGHT or LEFT Cursor keys to scroll through the compatible transducers. Select the transducer that is attached to the control head.

Selecting the Connected Transducer



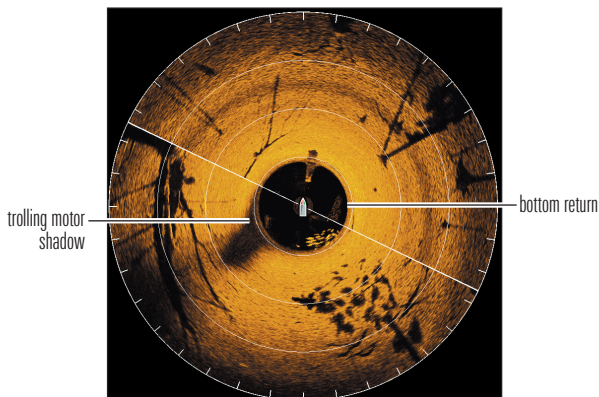
3. Test MEGA 360 Imaging on the Control Head

It is important to confirm that the MEGA 360 Imaging transducer is providing sonar returns to the display. The instructions in this section should be performed at trolling speeds in calm, open water, in a large area that is far from shallow water, boats, or other obstacles.

⚠ WARNING! The pod should NOT be in the water during high speed travel. The pod should only be deployed when the boat is traveling at trolling speeds.

1. Press and hold the VIEW key.
2. Select Sonar > 360 View.
3. The sonar returns from the MEGA 360 scan will begin to display on the MEGA 360 View. Review the display for the following information and see the illustration *Reviewing the 360 View*.
 - **Bottom:** Confirm that the bottom is visible on-screen.
 - **Blocked Beams:** If the beams hit a hard surface, it will appear as bright white on the display. If the beams are blocked by any objects, move the objects if possible. You can also adjust the 360 Range on the X-Press Menu to see more or less detail on the display. In some cases, the trolling motor will appear on the display as a shadow.
4. **Stop Pinging:** When you are finished reviewing the operation, press the MENU key once. Select 360 Pinging, and press the LEFT Cursor key.

Reviewing the 360 View



4. Confirm the Heading Sensor Operation

It is important to confirm that the Heading Sensor is installed correctly by reviewing the heading digital readout.

1. Main Menu: Press the MENU key twice.
2. Select the Chart tab > North Reference > Magnetic.
3. Press the EXIT key.
4. Select the Setup tab > Select Readouts (G3N models) or Edit Data Boxes (G4N models).



NOTE: If the Select Readouts or Edit Data Boxes menu option does not appear under the Setup tab, change the User Mode to Custom. Select Main Menu > Setup tab > User Mode > Custom.

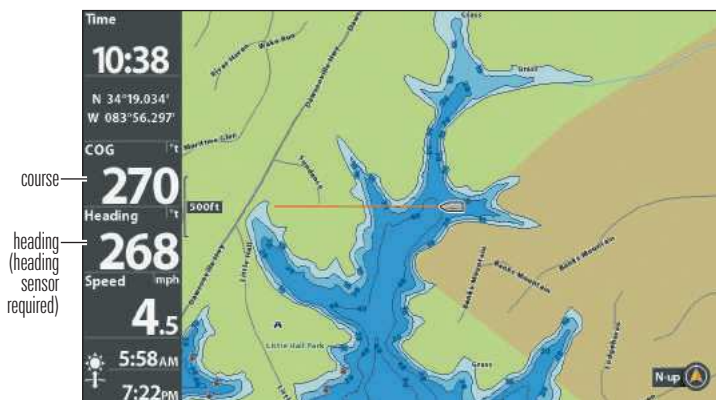
5. Select a Readout position or Data Box position and use the RIGHT or LEFT Cursor keys to select Vessel. Then select Heading. Select another Readout position or Data Box and select Course Over Ground.
6. Press the EXIT key until the Main Menu is closed.
7. Press and hold the VIEW key. Select Chart > Chart View.
8. With a Chart View displayed on-screen, rotate your transducer assembly so that it is pointing at a known object on the horizon (like land), and compare the Heading digital readout against your chart.

Adjust (G3N): To adjust the zero point of the Heading Sensor, select Main Menu > Navigation tab > Heading Offset. Press the RIGHT or LEFT Cursor keys to adjust the setting.

Adjust (G4N): To adjust the zero point of the Heading Sensor, select Main Menu > Data Sources tab > Data Offsets > Heading Adjustment. Press the RIGHT or LEFT Cursor keys to adjust the setting.

If the procedure failed: If the Heading digital readout is significantly off, you may need to adjust the installation of the ice adapter base. Rotate the base so that the Heading Sensor points in the same direction as the transducer. The Heading Sensor might also be affected by magnetic interference. Check for possible magnetic disturbances in the area.

Confirming the Heading Digital Readout




5. Add Offset Features to the MEGA 360 Imaging Display (optional)

The menu settings in this section are helpful for interpreting the position of objects on the 360 View. This feature is only available with a connected heading sensor (compass).

Adjust the 360 Heading Offset

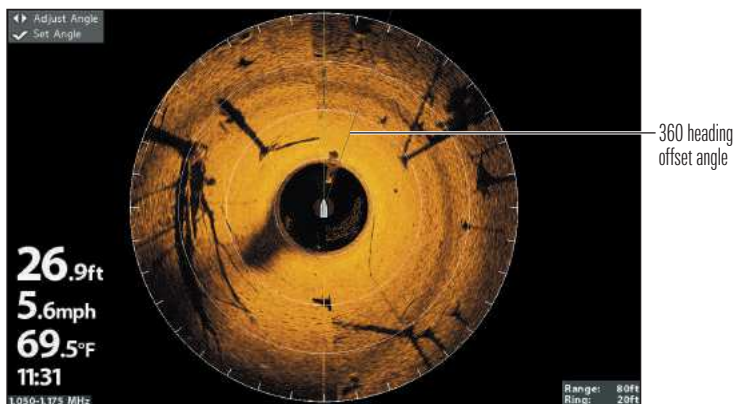
If the positions of objects on the MEGA 360 Imaging display are slightly different than what you observe in the environment around you, use 360 Heading Offset to correct the alignment of the MEGA 360 Imaging display.

For example, if there is an object in the water that is displayed on the left side of the MEGA 360 View, but you can see that it is straight ahead, you can use this setting to rotate the display.

 **NOTE:** This menu option should be adjusted while the MEGA 360 Imaging transducer is pinging.

1. **Main Menu:** Press the MENU key twice.
2. Select the Accessories tab > MEGA 360 Settings > 360 Heading Offset.
3. Press the RIGHT or LEFT Cursor keys to change the angle (gray line), and press the CHECK/INFO key to confirm your setting. The zero point on the display is represented by a green line.

MEGA 360 Imaging Heading Offset



6. Set up the Network

After you have confirmed all connections, the MEGA 360 Imaging transducer is ready to use on the water. Proceed to your *MEGA 360 Operations Manual* to set up the depth source, temperature source, and additional sonar sources.

Stop Pinging



WARNING! Before disconnecting the MEGA 360 ICE from the control head, you must stop pinging. Disconnecting while pinging could damage the MEGA 360 Imaging transducer.

Stop Pinging from the X-Press Menu

1. With a 360 View or 360 Imaging Combo View displayed on the screen, press the MENU key once.
2. Select 360 Pinging, and press the LEFT Cursor key to select Off.

Stop Pinging from the Power Submenu

1. Press the POWER key.
2. Select 360 Pinging, and press the LEFT Cursor key to select Off.

Storage

When out of the water, your MEGA 360 ICE Imaging assembly should be stored on its side or in a bucket with the adapter base adjusted so that the transducer does not touch the bottom.

Maintenance

Your Humminbird fishfinder is designed to provide years of trouble free operation with very little maintenance. Use the following procedures to ensure your Humminbird continues to deliver top performance.

MEGA 360 Imaging Maintenance

Use the following information to maintain the installation of the MEGA 360 ICE transducer.

- Check the stability of the ICE mount after initial use and periodically thereafter to ensure that the installation remains stable.
- If your boat will be in long-term storage, remove the MEGA 360 Imaging pod shaft from the bracket and store it in -40°F to 158°F (-40°C to 70°C), dry conditions.
- If your transducer remains in the water for long periods of time, ice can accumulate around the shaft. Check for ice buildup periodically and remove it as needed.

Control Head Maintenance

It is important to consider the following precautions when using your Humminbird control head:

- **Chemicals**, such as those found in bug spray and sunscreen, may cause permanent damage to the control head screen. Such damage is not covered by the warranty.
- **NEVER leave the control head in a closed car or trunk.** The high temperatures generated in hot weather can damage the electronics.

Use the following information to keep the control head and screen clean.

- **Screen:** To clean the control head screen, use a mild soap (such as a nonabrasive liquid hand soap) and warm water. Wipe the screen dry with a soft cloth. Be careful to avoid scratching the screen. If water spots remain, use a solution of water and vinegar.



WARNING! Do not use a chemical glass cleaner on the screen. Chemicals in the solution may cause cracking in the lens of the unit.



NOTE: Do not wipe the screen while dirt or grease is on the screen.

- **Control Head:** If the control head comes into contact with salt spray, wipe the affected surfaces with a cloth dampened with fresh water.

Transducer Maintenance

Use the following information to maintain the transducer operation.

- If your transducer remains in the water for long periods of time, ice can accumulate around the shaft. Check for ice buildup periodically and remove it as needed.
- Periodically clean the face of the transducer with a cloth dampened with fresh water.
- It may take some time to wet the transducer when it is returned to the water. Small air bubbles can cling to the surface of the transducer and interfere with proper operation. These bubbles dissipate with time, or you can wipe the face of the transducer with your fingers after the transducer is in the water.

Troubleshooting

Before contacting the Humminbird Technical Support, please read the following section. Taking the time to review these troubleshooting guidelines may allow you to solve a performance problem yourself, and therefore avoid sending your unit back for repair.

Fishing System Doesn't Power Up

If your Fishing System doesn't power up, use the installation guide that is included with your Fishing System to confirm specific details, making sure that:

- the power cable is properly connected to the Fishing System control head,
- the power cable is wired correctly, with red to positive battery terminal and black to negative terminal or ground,
- the fuse is operational, and
- the battery voltage of the power connector is at least 12 Volts.

Correct any known problems, including removing corrosion from the battery terminals or wiring, or actually replacing the battery if necessary.

Fishing System Defaults to Simulator with a Transducer Attached

In addition to the MEGA 360 ICE accessory transducer, you will have a standard Humminbird ICE transducer connected to the control head. A connected and functioning transducer with built-in temperature will cause the newly-started Fishing System to go into Normal operating mode automatically. If, when you power up the Fishing System, it goes into Simulator mode automatically, even though a transducer is already connected, this means that the control head is not detecting the transducer. Perform the following troubleshooting tasks:

- Check the connections of all transducers that are connected to the control head or Ethernet network. See the transducer installation guide that was included with your Fishing System for connection information.
- Review this MEGA 360 ICE installation guide to confirm that the transducer cable is connected correctly to the Fishing System. Reconnect if necessary, and power on the Fishing System again to see if this fixes the problem.
- Replace the non-functioning transducer with a known good transducer if available and power up the control head again.
- Check the transducer cable. Replace the transducer if the cable is damaged or corroded.

Finding the Cause of Noise

Electrical noise usually affects the display with streaks or repetitive patterns on the view. One or more of the following sources can cause noise or interference:

Possible Source of Noise	Isolation
Other electronic devices	Turn off any nearby electronic devices to see if the problem goes away, then turn them on one at a time to see if the noise re-appears.
Other sonar devices	Turn off any nearby sonar devices to see if the problem goes away, then turn them on one at a time to see if the noise re-appears.

Specifications

Operating Frequency.....	455 kHz / MEGA
Area of Coverage	455 kHz / MEGA: (2) 90° @ -10 dB
Power Output.....	500 Watts (RMS), 4000 Watts (Peak to Peak)
Power Requirement	10 to 18 VDC
Current Draw	0.5 A maximum
Operating Temperature.....	-4°F to 158°F (-20°C to 70°C)
Storage Temperature	-40°F to 158°F (-40°C to 70°C)



NOTE: Humminbird verifies maximum stated depth in saltwater conditions, but actual depth performance may vary due to transducer installation, water type, thermal layers, bottom composition and slope.



NOTE: Product specifications and features are subject to change without notice.

ROHS STATEMENT: Product designed and intended as a fixed installation or part of a system in a vessel may be considered beyond the scope of Directive 2002/95/EC of the European Parliament and of the Council of 27 January 2003 on the restriction of the use of certain hazardous substances in electrical and electronic equipment.

ENVIRONMENTAL COMPLIANCE STATEMENT: It is the intention of Johnson Outdoors Marine Electronics, Inc. to be a responsible corporate citizen, operating in compliance with known and applicable environmental regulations, and a good neighbor in the communities where we make or sell our products.

WEEE DIRECTIVE: EU Directive 2002/96/EC “Waste of Electrical and Electronic Equipment Directive (WEEE)” impacts most distributors, sellers, and manufacturers of consumer electronics in the European Union. The WEEE Directive requires the producer of consumer electronics to take responsibility for the management of waste from their products to achieve environmentally responsible disposal during the product life cycle.

WEEE compliance may not be required in your location for electrical & electronic equipment (EEE), nor may it be required for EEE designed and intended as fixed or temporary installation in transportation vehicles such as automobiles, aircraft, and boats. In some European Union member states, these vehicles are considered outside of the scope of the Directive, and EEE for those applications can be considered excluded from the WEEE Directive requirement.



This symbol (WEEE wheeled bin) on product indicates the product must not be disposed of with other household refuse. It must be disposed of and collected for recycling and recovery of waste EEE. Johnson Outdoors Marine Electronics, Inc. will mark all EEE products in accordance with the WEEE Directive. It is our goal to comply in the collection, treatment, recovery, and environmentally sound disposal of those products; however, these requirements do vary within European Union member states. For more information about where you should dispose of your waste equipment for recycling and recovery and/or your European Union member state requirements, please contact your dealer or distributor from which your product was purchased.

Contact Humminbird

Contact Humminbird Technical Support in any of the following ways:

Web site:

humminbird.com

E-mail:

service@humminbird.com

Telephone:

1-800-633-1468

Direct Shipping:

Humminbird
Service Department
678 Humminbird Lane
Eufaula, AL 36027 USA

Hours of Operation:

Monday - Friday
8:00 a.m. to 4:30 p.m. (Central Standard Time)

Social Media Resources:



[Facebook.com/HumminbirdElectronics](https://www.facebook.com/HumminbirdElectronics)



[Twitter.com \(@humminbirdfish\)](https://twitter.com/@humminbirdfish)



[Instagram.com/humminbirdfishing](https://www.instagram.com/humminbirdfishing)



[YouTube.com/humminbirdtv](https://www.youtube.com/humminbirdtv)

