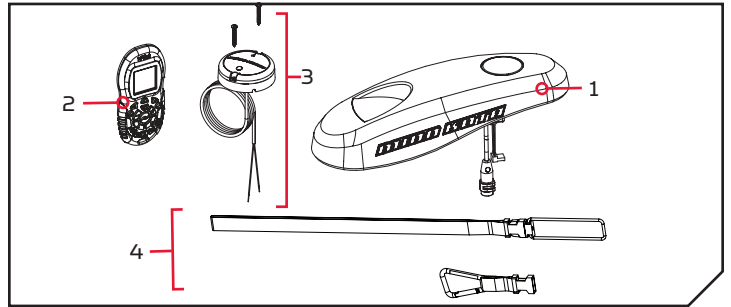


Item	Part #	Description	Qty.
1	2774062	i-PILOT CONTROLLER 1.6 TRV	1
	2774051	i-PILOT CONTROLLER 1.6 RT TRV	1
2	2994075	REMOTE ASY, IPILOT 1.6	1
3	2996400	HEADING SENSOR ASSEMBLY	1
4	2390800	LANYARD, REMOTE W/CARABEENER	1
■	2397101	MANUAL, QUICK REF IPILOT 1.6	1



TOOLS AND RESOURCES REQUIRED

- #2 Phillips Screwdriver
- 10-15 minutes



CAUTION

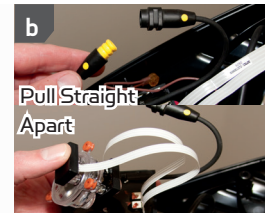
Always wear safety glasses and gloves. Disconnect all power to the trolling motor before beginning any work or maintenance. Johnson Outdoors Inc. is not responsible for any damage due to improper rigging or installation. If you do not have the skills, experience and tools to perform the following maintenance and repairs, we recommend you seek the help of a Minn Kota Authorized Service Center. A list of Authorized Service Centers can be found at <http://www.minnkotamotors.com/Authorized-Service-Providers/>. Or contact our Technical Service Department by email at service@minnkotamotors.com or, by dialing 800-227-6433.

NOTE: These instructions cover accessory installation only. To download the complete owner's manual visit <https://www.minnkotamotors.com/Accessories.aspx>. Scan the QR code to view Minn Kota Accessories Owner's Manuals Online



INSTALLATION

- Use the #2 Phillips Screwdriver to remove the 4 screws that secure the control box cover and remove the control box cover
- If AutoPilot was installed disconnect the Network Accessory Plug from the AutoPilot Board and remove the AutoPilot Board and Compass Assembly.
- Connect the i-Pilot Controller Accessory Plug to the motor Network Accessory Plug.
- Place the i-Pilot Controller/Cover Assembly on the Control Box.
- Install the 4 Screws that secure the i-Pilot Controller/Cover Assembly to the Control Box.



For warranty information please visit minnkotamotors.com



minnkotamotors.com

Minn Kota Consumer & Technical Service
Johnson Outdoors Marine Electronics, Inc.
PO Box 8129
Mankato, MN 56001

121 Power Drive
Mankato, MN 56001
Phone (800) 227-6433
Fax (800) 527-4464



©2018 Johnson Outdoors Marine Electronics, Inc.
All rights reserved.