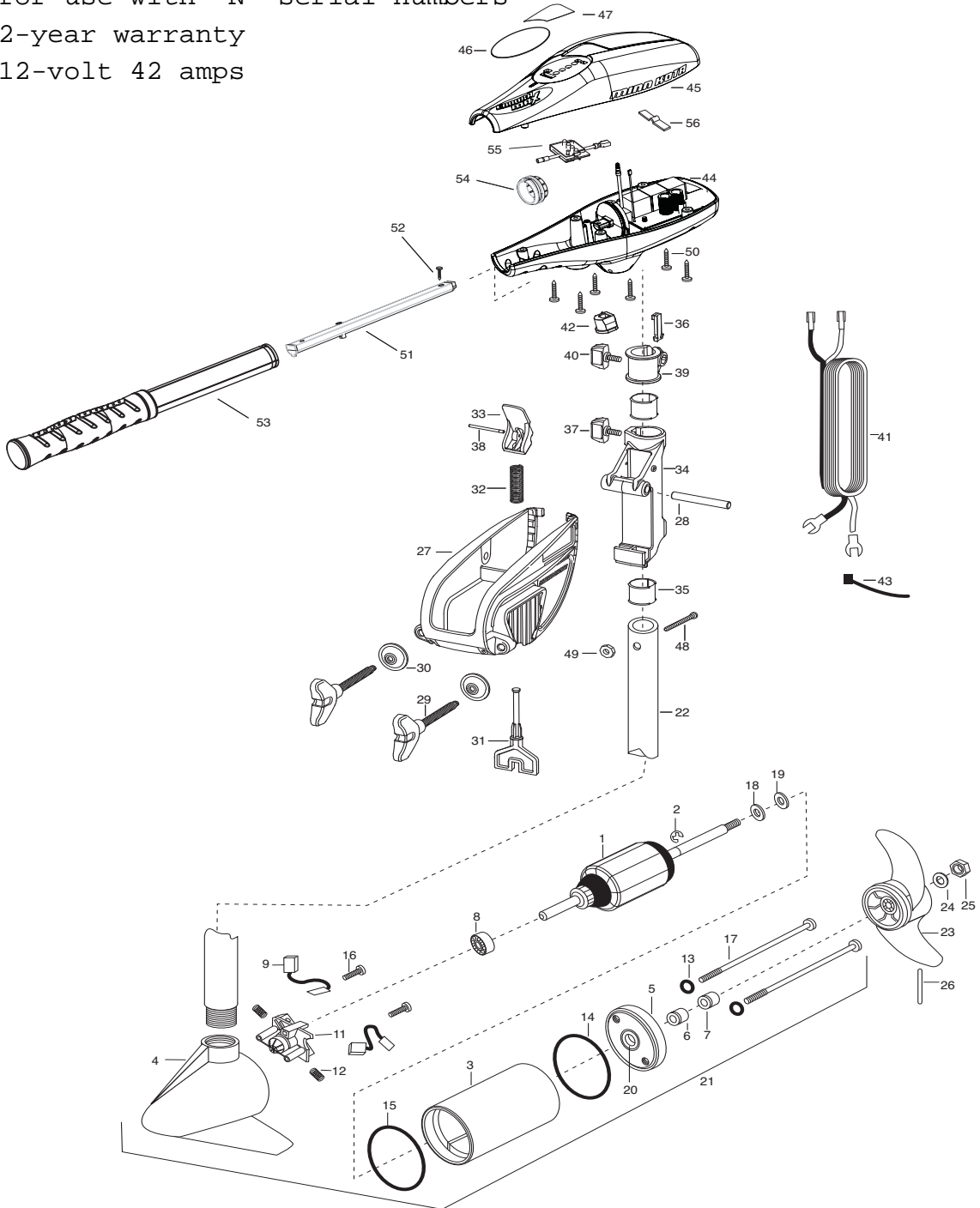


# ENDURA MAX 40 PARTS DIAGRAM

for use with "N" serial numbers

2-year warranty

12-volt 42 amps



# ENDURA MAX 40 36" PARTS LIST

In the U.S.A., replacement parts may be ordered directly from MINN KOTA Parts Dept., 121 Power Dr., Mankato, MN 56002-8129. In Canada, parts may be ordered from any of the Canadian Authorized Service Centers. Visit minnkotamotors.com for a current listing. Be sure to provide the MODEL and SERIAL number of your motor when ordering parts. Please use the correct part numbers from the parts list. Payment for any parts ordered from the MINN KOTA parts department may be by Discover Card, Master Card or VISA. To order call 1-800-227-6433 or FAX 1-800-527-4464.

| <u>Item</u> | <u>Part Number</u> | <u>Description</u>                           | <u>Item</u> | <u>Part Number</u> | <u>Description</u>                        |
|-------------|--------------------|--|-------------|--------------------|---|
| 1           | 2-100-204          | ARMATURE ASSEMBLY 12v 3.25                   | *29         | 2061300            | SCREW-CLAM [2.EA]                         |
| 2           | 788-015            | RETAINING RING                               | *30         | 2011710            | WASHER-CLAMP SCREW [2.EA]                 |
| 3           | 2-200-079          | HOUSING ASSEMBLY CENTER 3.25 TXT             | 31          | 2063605            | T-BAR, PLASTIC                            |
| 4           | 421-132            | BRUSH END HOUSING ASSEMBLY 3.25              | 32          | 2062706            | SPRING- (T-BAR)                           |
| 5           | 2-400-187          | PLAIN END HOUSING ASSEMBLY 3.25              | 33          | 2067201            | LEVER-TILT BLACK                          |
| 6           | 880-003            | SEAL   | 34          | 2061810            | HINGES-PLASTIC                            |
| 7           | 880-006            | SEAL W/SHIELD                                | 35          | 2037301            | BUSHING-HINGE [2.EA]                      |
| 8           | 140-010            | BALL BEARING                                 | 36          | 2062800            | TENSION BLOCK-SNAP IN                     |
| 9           | 188-052            | BRUSH ASSEMBLY [2.EA]                        | 37          | 2011385            | SCREW, TENSION/KNOB                       |
| 11          | 2-600-285          | BRUSH PLATE W/HOLDER 3.25                    | 38          | 2060515            | PIN, TILT LEVER                           |
| 12          | 975-032            | SPRING-COMPRESSION [2.EA]                    | 39          | 2061520            | COLLAR-DEPTH                              |
| 13          | 701-007            | O-RING- THRU BOLT [2.EA]                     | 40          | 2011365            | SCREW-COLLAR/NEW KNOB                     |
| 14          | 701-039            | O-RING MK406460                              | 41          | 2992523            | LEADWIRE<br>(WITH 14GA HD SPADE TERMINAL) |
| 15          | 701-041            | O-RING                                       | 42          | 2062905            | STRAIN RELIEF                             |
| 16          | 830-001            | SCREW- SELF THREAD 8-32X1.7 [2.EA]           | 43          | 2026300            | TIE WRAP                                  |
| 17          | 830-078            | THRU BOLT 8-32X8.0 [2.EA]                    | 44          | 2994040            | CONTROL BOX                               |
| 18          | 990-067            | WASHER- STEEL THRUST                         | 45          | 2060225            | CONTROL BOX COVER                         |
| 19          | 990-070            | WASHER- NYLATRON [AS REQUIRED]               | 46          | 2065715            | DECAL COVER ENDURA MAX 40                 |
| 20          | 144-049            | FLANGE BEARING (SERVICE ONLY)                | 47          | 2065730            | COVER DECAL                               |
| 21          | 2069236            | MOTOR ASSEMBLY 12 V 3.25 VARIABLE SPD        | 48          | 2033401            | SCREW-10-24 X 1-3/4                       |
| 22          | 2032046            | TUBE, COMPOSITE 36"                          | 49          | 2383124            | NUT-10-24 HEX                             |
| ■           | 1378121            | PROP W/DRIVE PIN, WASHER, NUT KIT            | 50          | 2012100            | SCREW-8-18 X 5/8 [6.EA]                   |
| 23          | 2061122            | PROPELLER 3.25 HUB DIA                       | 51          | 2990924            | INNER HANDLE ASSEMBLY                     |
| 24          | 2151726            | WASHER- 5/16 STD SS                          | 52          | 2012102            | SCREW                                     |
| 25          | 2053101            | NUT-PROP NYLOCK (MED) SS                     | 53          | 2990913            | OUTER HANDLE ASSEMBLY                     |
| 26          | 2092600            | PIN-DRIVE                                    | 54          | 2060009            | FRONT BEARING                             |
| ■           | 2771818            | BRACKET & HINGE ASSEMBLY<br>(INCLUDES 27-38) | 55          | 2074070            | BATTERY METER 12V                         |
| ■           | 2771910            | BRACKET ASSEMBLY<br>(INCLUDES 27, 29, 30)    | 56          | 2302742            | Spring, detent, off                       |
| *27         | 2061910            | BRACKET                                      | ■           | 2883460            | SEAL AND O RING KIT                       |
| 28          | 2060510            | PIN-HINGE                                    |             |                    |   |

\* This item is part of an assembly. This item cannot be sold separately due to machining and/or assembly that is required.

# WIRING DIAGRAM

