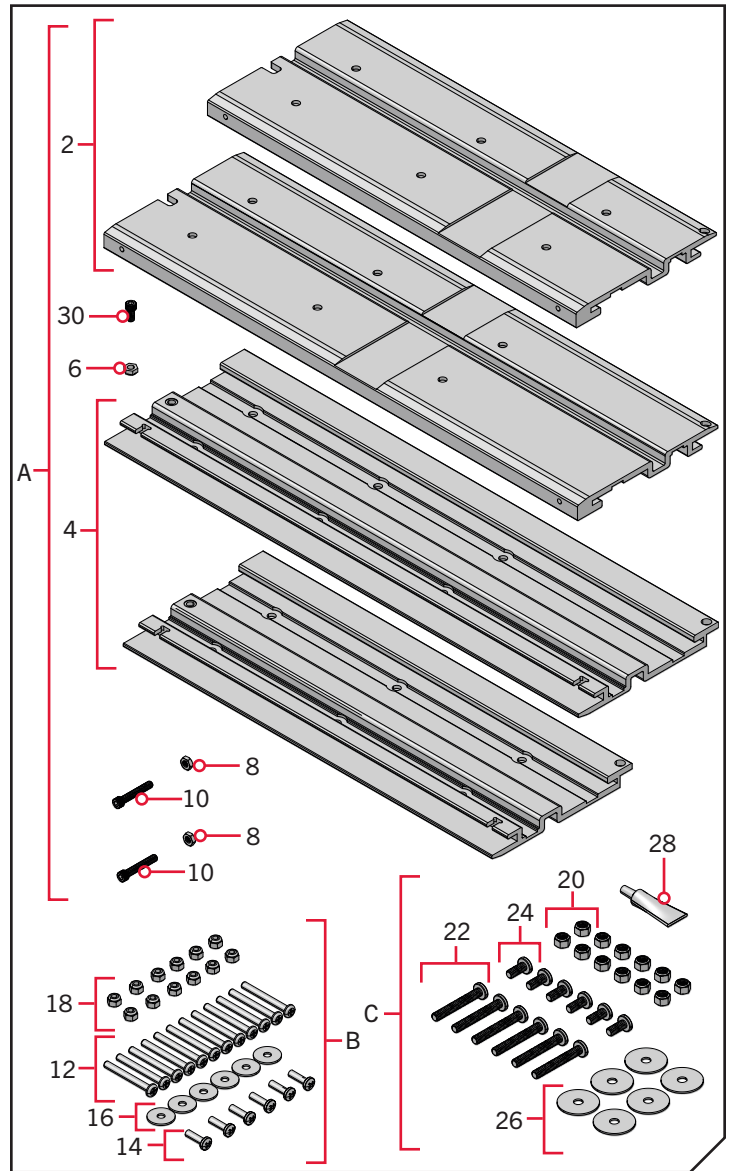


Compatible with most Minn Kota® cable steer and hand control models including QUEST series motors.

Item / Assembly	Part #	Description	Qty.	
A Items 2 - 10	2990103	QUICK RELEASE MNT LONG ASM	1	
	2990102	QUICK RELEASE MNT SHORT ASM	1	
2	2371650	PLATE-TOP, ANODIZED, LONG	1	
	2371660	PLATE-TOP, ANODIZED, SHORT	1	
4	2371655	PLATE-BTM, ANODIZED, LONG	1	
	2371665	PLATE-BTM, ANODIZED, SHORT	1	
6	✘	NUT-HEX 1/4-20 NYLOC-JAM SS	1	
8	2373145	NUT-JAM, 1/4, SS	2	
10	2373560	SCREW-1/4-20 X 1.50 SHCS SS	2	
B Items 12 - 18	2994829	BAG ASSY-MAX QUICK RELEASE	1	
	12	2500000	SCREW-1/4-20 X 2 1/4 PPH S/S	12
	14	2073408	SCREW-1/4-20 X 7/8 PPH S/S	6
	16	2261713	WASHER-1/4 FLAT 18-8 SS	6
	18	2263103	NUT-1/4-20 NYLOCK SS	12
	C Items 20 - 26	2994952	BAG ASM, 5/16" HDW,CBL STR QRB	1
20		2223100	NUT-5/16-18 NYLOCK S/S	12
22		2293406	SCREW-5/16-18 X 2.25" PPH SS	6
24		2293407	SCREW-5/16-18X 3/4" PPH SS	6
26		2291701	WASHER-5/16 X 1.5 FLAT SS	6
28		2378608	ANTI SEIZE TUBE, 4CC, TALON	1
30		✘	SCREW-1/4-20 X .500 SHCS SS	1
▲ 32		2377181	INSTR. SHEET, CBL STEER QRB	1

▲ Not shown on Parts Diagram.

✘ This part is included in an assembly and cannot be ordered individually.



### TOOLS AND RESOURCES REQUIRED

- Drill
- 9/32" Drill Bit
- 21/64" Drill Bit
- 3/16" Allen Wrench
- #3 Phillips Screwdriver
- Awl, pencil or similar marking tool
- A second person to help with the installation
- #4 Phillips Screwdriver
- 7/16" Box End or Open End Wrench
- 1/2" Box End or Open End Wrench

## WARNING

Avoid the risk of electric shock or unexpected motor operation. Always ensure the Power Cables of the trolling motor being installed to the Quick Release Bracket are not connected to a power source before beginning installation. Place the trolling motor on a level surface to prevent it from falling.

## MOUNTING CONSIDERATIONS

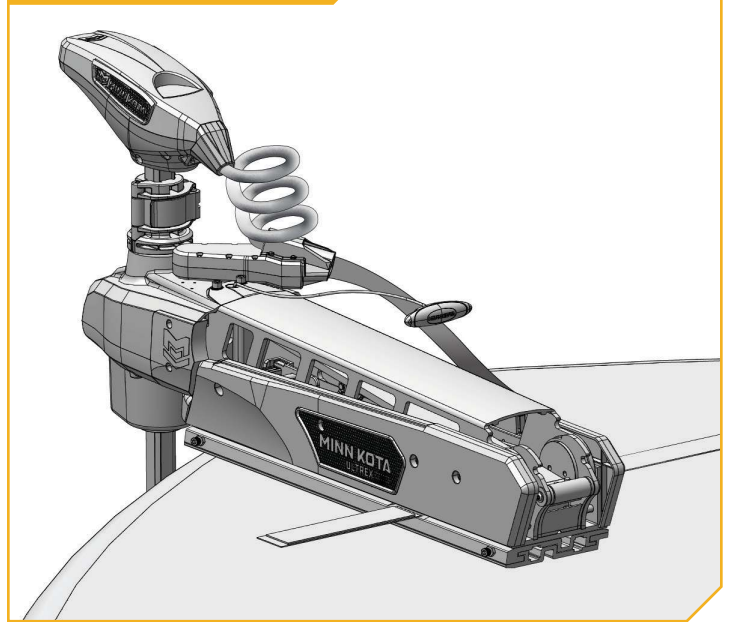
It is recommended that the motor be mounted as close to the keel or centerline of the boat as possible. Ensure the area under the mounting location is flat, is clear to drill holes, and install nuts and washers. Make sure the motor rest is positioned far enough beyond the edge of the boat. The motor must not encounter obstructions as it is lowered into the water or raised into the boat when stowed and deployed.

**NOTICE:** Images are a graphical representation and may vary from your motor.

## WARNING

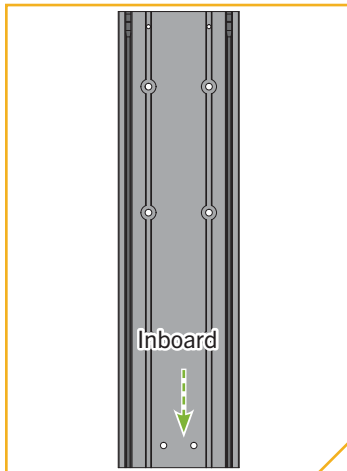
For motors with Lift-Assist (Fortrex, Ultrex, and Ultrex QUEST), the Lift Cylinder or Gas Spring(s) should be disengaged until installation is complete to prevent injury. Refer to the trolling motor Owner's Manual for instructions to disengage the Lift Cylinder or Gas Spring(s).

## Complete Typical Installation

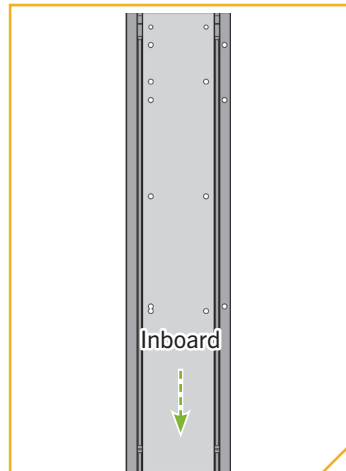


**NOTICE:** For motors with Lift-Assist (Fortrex, Ultrex, and Ultrex QUEST), the Lift Cylinder or Gas Spring(s) should be disengaged until installation is complete to prevent injury. If present, Minn Kota also recommends removing the Steering Module or BowGuard, for ease of installation. For Fortrex trolling motors, please review the "Disconnect the Gas Spring Pin" section of the Fortrex Owner's Manual (#2287106) and then "Remove the Bowguard from the Mount." For Ultrex trolling motors, please review the "Removal of the Steering Module" section of the Ultrex Owner's Manual (#2297162) to first "Disconnect the Gas Spring" and then "Remove the Motor from Mount." For Ultrex QUEST trolling motors, please review the "Removal of the Steering Module" section of the Ultrex QUEST Owner's Manual (#2297166) to first "Disconnect the Gas Springs" and then "Remove Motor from Mount." Find Owner's Manuals online at [minnkota.johnsonoutdoors.com](http://minnkota.johnsonoutdoors.com).

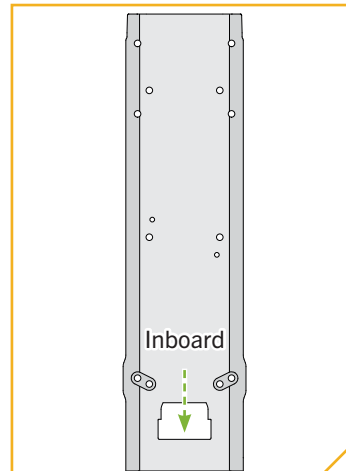
The MKA-61 and MKA-62 are designed to allow the trolling motor to be quickly removed from and reattached to the boat deck. The top and bottom plates for the Quick Release Brackets slide together and are tightened and secured to one another using dual locking hardware. The MKA-61 and MKA-62 are compatible with the Ultrex, Fortrex, Maxxum, and Edge Minn Kota® trolling motors and are recommended for the higher thrust associated with the Ultrex QUEST series motors. The MKA-61 fits 45" shaft and smaller foot-control motors and 52" shaft and smaller hand-control motors. The MKA-62 fits 52" to 72" shaft, foot-control motors, and 62" shaft, hand-control motors. The base extrusion or mounting bracket of the trolling motors may vary. Please note the appearance of the applicable trolling motors and mounting brackets. For a complete list of motors compatible with the MKA-61 and MKA-62, please refer to the website at [minnkota.johnsonoutdoors.com](http://minnkota.johnsonoutdoors.com).



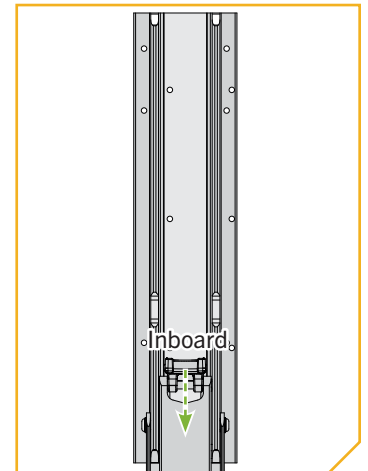
Ultrex QUEST™



Ultrex™ and Fortrex®



Maxxum®



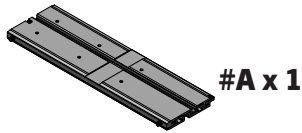
Edge

## > Separate the Quick Release Bracket Plates

The top and bottom plates of the MKA-61 and MKA-62 Quick Release Brackets come from the factory secured together. Separate the plates of the Quick Release Bracket to facilitate installation.

1

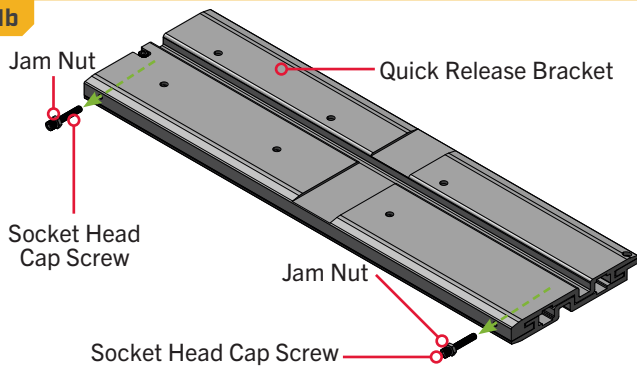
### ITEM(S) NEEDED



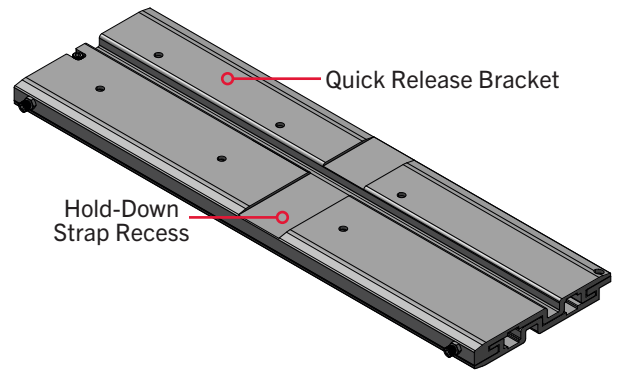
**NOTICE:** The trolling motor and Quick Release Bracket are heavy. Minn Kota recommends having a second person help with the installation.

- Place the Quick Release Bracket (Assembly #A) on a level surface with the recess for the Hold-Down Strap facing upwards.
- Locate the two 1/4-20 x 1.50-inch Socket Head Cap Screws along the side of the plates. Each Socket Head Cap Screw holds a Jam Nut. Using a 3/16" Allen Wrench, loosen and remove the two Screws in a counter-clockwise direction. Keep the Jam Nuts in place.
- Set the two 1/4-20 x 1.50-inch Socket Head Cap Screws aside for reassembly later and separate the Top Plate from the Bottom Plate. The Top Plate slides Inboard from the Bottom Plate. Notice the location of the Stop Screw on the Bottom Plate. Later, when the plates are installed to each other, the Stop Screw should be placed Outboard.

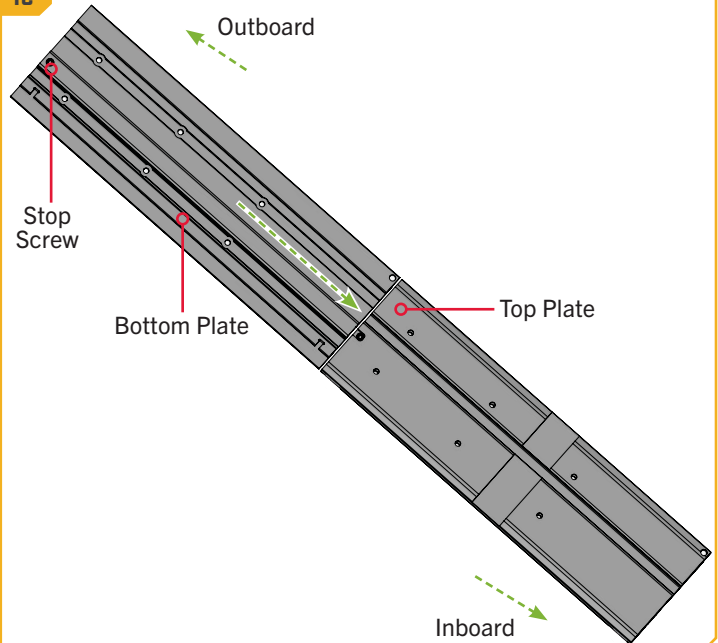
1b



1a



1c



**NOTICE:** For motors with Lift-Assist (Fortrex, Ultrex, and Ultrex QUEST), the Lift Cylinder or Gas Spring(s) should be disengaged until installation is complete to prevent injury. Minn Kota also recommends removing the Steering Module or BowGuard if present, for ease of installation.

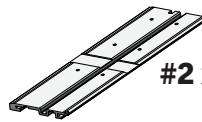
## › Installing the Top Plate to a Maxxum Trolling Motor

# 1

### ITEM(S) NEEDED

 #18 x 6

 #12 x 6

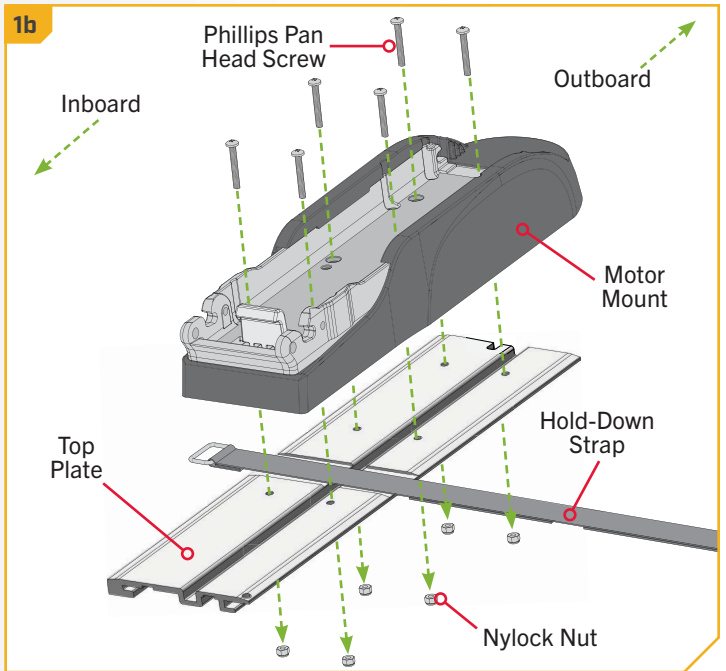
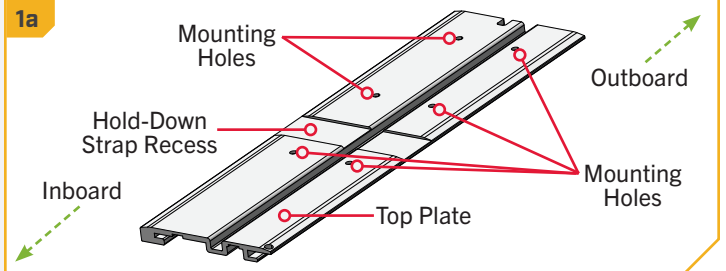
 #2 x 1

 #28 x 1

- a. Take the Top Plate (Item #2) and align the Mounting Holes on the plate with the Mounting Holes on the trolling motor Mount. The Mounting Holes closest to the short edge of the Top Plate should face Outboard. The Mounting Holes furthest from the short edge on the Top Plate are the closest to the Hold-Down Strap Recess and should face Inboard.

**NOTICE:** Place the Hold-Down Strap (if included with your motor) between the motor Mount and the Top Plate. For full function, install the Hold-Down Strap between the middle pair and most-inboard pair of Mounting Holes in the Hold-Down Strap Recess.

- b. Test the placement of the Hold-Down Strap to be sure it can hold the Mount as placed. The position of the buckle on the Hold-Down Strap, either inboard or outboard, is based on personal preference. The hook and loop should face downward for the Hold-Down Strap to function correctly. Take six ¼-20 X 2¼" Phillips Pan Head Screws (Item #12) and six Nylock Nuts (Item #18). Apply anti-seize (Item #28) to all hardware. Install the Screws so that they pass through the Mount and then the Top Plate. Secure each Screw below the Top Plate with a Nylock Nut. Hold each Nylock Nut with a 7/16" Open End or Box End Wrench and tighten each Screw using a #3 Screwdriver to fasten the Mount to the Top Plate. Make sure all hardware is secure.

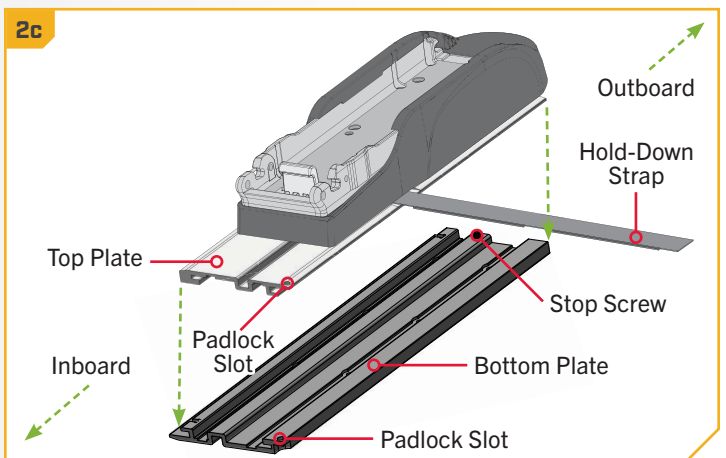


# 2

### ITEM(S) NEEDED

 #4 x 1

- c. Take the Bottom Plate (Item #4) and set it on a level surface. The Bottom Plate should sit so that the Stop Screw faces upward. The Stop Screw is present along the edge of the Bottom Plate that points Outboard. Take the Top Plate with the trolling motor installed and place it on the Bottom Plate. Place the Top Plate so that the holes for the Padlock Slot on the Top Plate and Bottom Plate align.

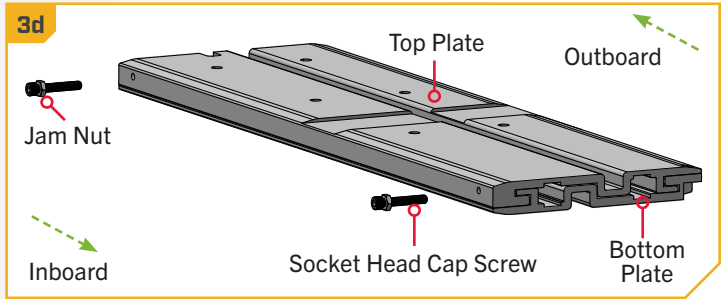


## ITEM(S) NEEDED

 #8 x 2

 #10 x 2

- d. Take the two ¼-20 X 1.50-inch Socket Head Cap Screws (Item #10), each with a Jam Nut (Item #8) in place. Slide both plates to align the holes in the Top Plate and Bottom Plate. Apply anti-seize to all hardware. Install each ¼-20 X 1.50 Socket Head Cap Screw with the Jam Nut in place into the plates using a ⅜" Allen Wrench. Tighten the Allen Wrench turning clockwise until there is no movement between the plates. Tighten an additional quarter turn past tight. Once the ¼-20 X 1.50 Socket Head Cap Screws are tight, take a ⅞" Open End or Box End Wrench and tighten the Jam Nut. Make sure all hardware is secure.

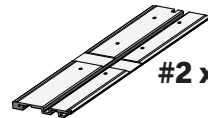


## ▶ Installing the Top Plate to an Edge, Fortrex or Ultrex Trolling Motor

## ITEM(S) NEEDED

 #18 x 6

 #14 x 6

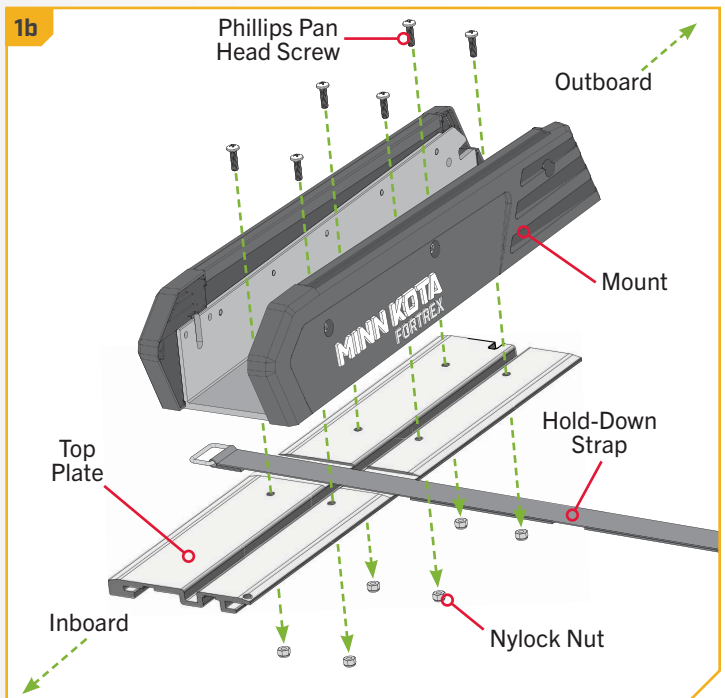
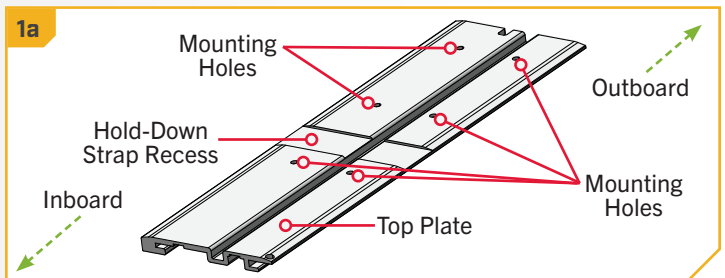
 #2 x 1

 #28 x 1

- a. Take the Top Plate (Item #2) and align the Mounting Holes on the plate with the Mounting Holes on the trolling motor Mount. The Mounting Holes closest to the short edge of the Top Plate should face Outboard. The Mounting Holes furthest from the short edge on the Top Plate are the closest to the Hold-Down Strap Recess and should face Inboard.

**NOTICE:** Place the Hold-Down Strap (if included with your motor) between the motor Mount and the Top Plate. For full function, install the Hold-Down Strap between the middle pair and most-inboard pair of Mounting Holes in the Hold-Down Strap Recess.

- b. Test the placement of the Hold-Down Strap to be sure it can hold the Mount as placed. The position of the buckle on the Hold-Down Strap, either inboard or outboard, is based on personal preference. The hook and loop should face downward for the Hold-Down Strap to function correctly. Take six ¼-20 x ⅞" Phillips Pan Head Screws (Item #14) and six Nylock Nuts (Item #18). Apply anti-seize (Item #28) to all hardware. Install the Screws so that they pass through the Mount and then the Top Plate. Secure each Screw below the Top Plate with a Nylock Nut. Hold each Nylock Nut with a ⅞" Open End or Box End Wrench and tighten each Screw using a #3 Screwdriver to fasten the Mount to the Top Plate. Make sure all hardware is secure.

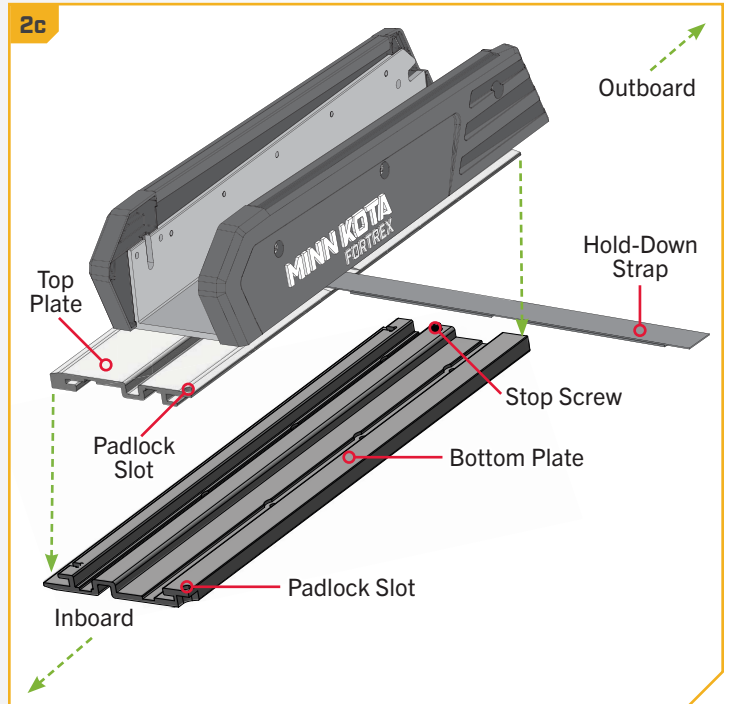


## 2

### ITEM(S) NEEDED



- c. Take the Bottom Plate (Item #4) and set it on a level surface. The Bottom Plate should sit so that the Stop Screw faces upward. The Stop Screw is present along the edge of the Bottom Plate that points Outboard. Take the Top Plate with the trolling motor installed and place it on the Bottom Plate. Place the Top Plate so that the holes for the Padlock Slot on the Top Plate and Bottom Plate align.

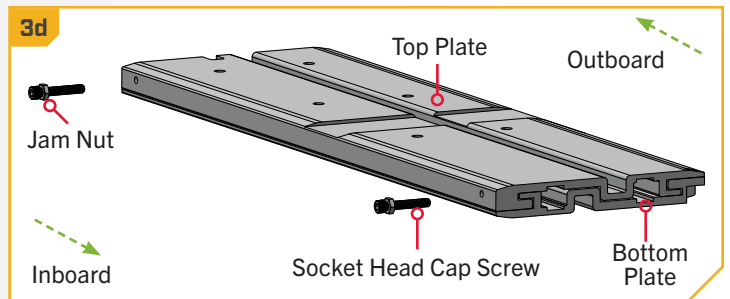


## 3

### ITEM(S) NEEDED



- d. Take the two 1/4-20 X 1.50-inch Socket Head Cap Screws (Item #10), each with a Jam Nut (Item #8) in place. Slide both plates to align the holes in the Top Plate and Bottom Plate. Apply anti-seize to all hardware. Install each 1/4-20 X 1.50 Socket Head Cap Screw with the Jam Nut in place into the plates using a 3/16" Allen Wrench. Tighten the Allen Wrench turning clockwise until there is no movement between the plates. Tighten an additional quarter turn past tight. Once the 1/4-20 X 1.50 Socket Head Cap Screws are tight, take a 7/16" Open End or Box End Wrench and tighten the Jam Nut. Make sure all hardware is secure.



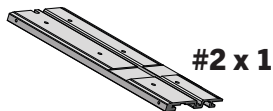
# Installing the Top Plate to an Ultrex QUEST Series Trolling Motor

1

## ITEM(S) NEEDED

#20 x 6

#24 x 6

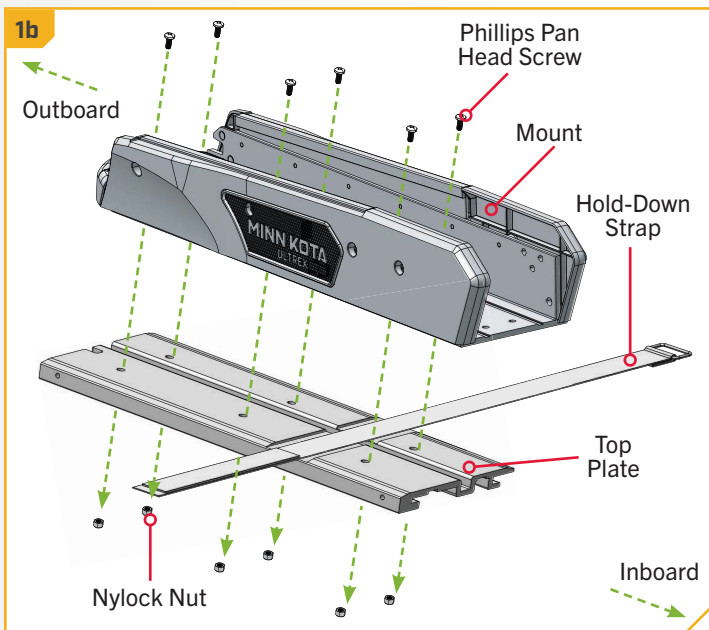
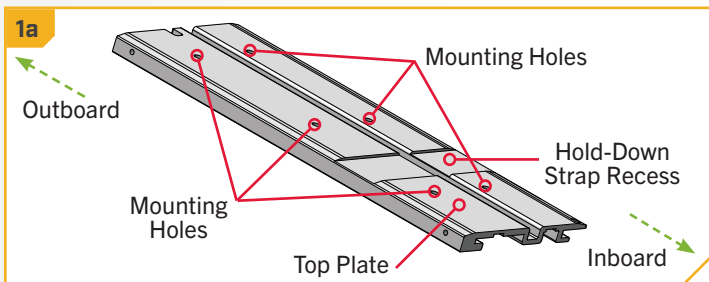


#28 x 1

- a. Take the Top Plate (Item #2) and align the Mounting Holes on the plate with the Mounting Holes on the trolling motor Mount. The Mounting Holes closest to the short edge of the Top Plate should face Outboard. The Mounting Holes furthest from the short edge on the Top Plate are the closest to the Hold-Down Strap Recess and should face Inboard.

**NOTICE:** Place the Hold-Down Strap (if included with your motor) between the motor Mount and the Top Plate. For full function, install the Hold-Down Strap between the middle pair and most-inboard pair of Mounting Holes in the Hold-Down Strap Recess.

- b. Test the placement of the Hold-Down Strap to be sure it can hold the Mount as placed. The position of the buckle on the Hold-Down Strap, either inboard or outboard, is based on personal preference. The hook and loop should face downward for the Hold-Down Strap to function correctly. Take six 5/16-18 x 3/4" Phillips Pan Head Screws (Item #24) and six Nylock Nuts (Item #20). Apply anti-seize (Item #28) to all hardware. Install the Screws so that they pass through the Mount and then the Top Plate. Secure each Screw below the Top Plate with a Nylock Nut. Tighten each Screw using a #4 Screwdriver to fasten the Mount to the Top Plate. Make sure all hardware is secure.

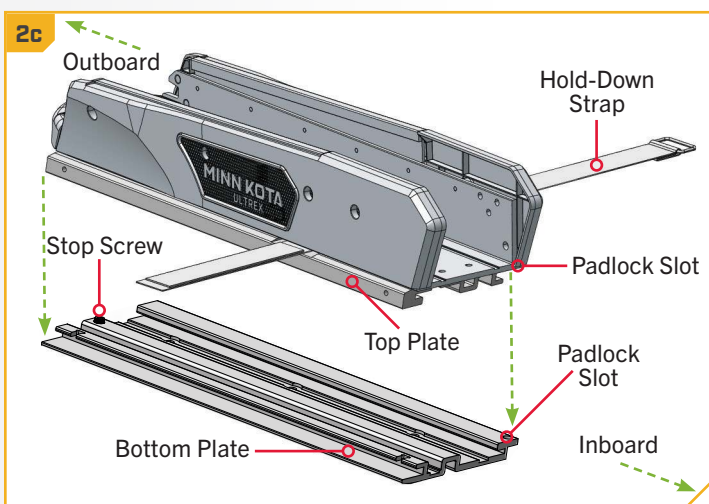


2

## ITEM(S) NEEDED



- c. Take the Bottom Plate (Item #4) and set it on a level surface. The Bottom Plate should sit so that the Stop Screw faces upward. The Stop Screw is present along the edge of the Bottom Plate that points Outboard. Take the Top Plate with the trolling motor installed and place it on the Bottom Plate. Place the Top Plate so that the holes for the Padlock Slot on the Top Plate and Bottom Plate align.

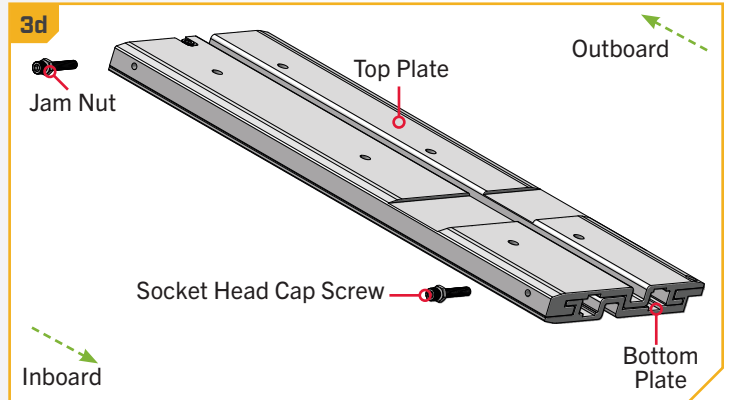


## ITEM(S) NEEDED

 #8 x 2

 #10 x 2

- d. Take the two ¼-20 X 1.50-inch Socket Head Cap Screws (Item #10), each with a Jam Nut (Item #8) in place. Slide both plates to align the holes in the Top Plate and Bottom Plate. Apply anti-seize to all hardware. Install each ¼-20 X 1.50 Socket Head Cap Screw with the Jam Nut in place into the plates using a ⅜" Allen Wrench. Tighten the Allen Wrench turning clockwise until there is no movement between the plates. Tighten an additional quarter turn past tight. Once the ¼-20 X 1.50 Socket Head Cap Screws are tight, take a ⅞" Open End or Box End Wrench and tighten the Jam Nut. Make sure all hardware is secure.



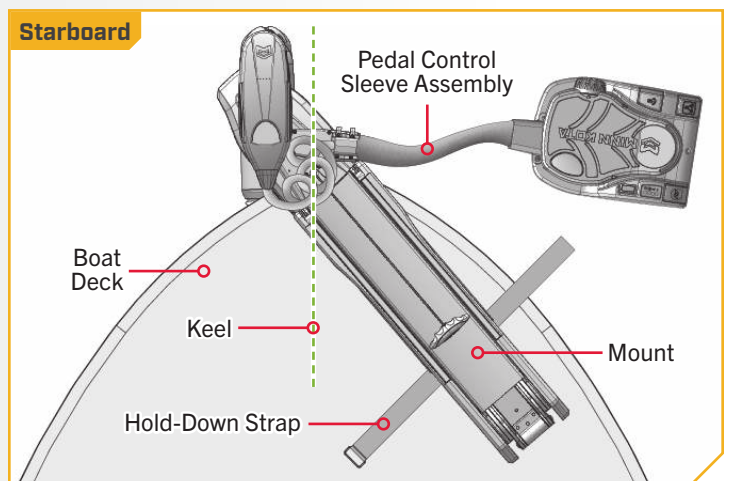
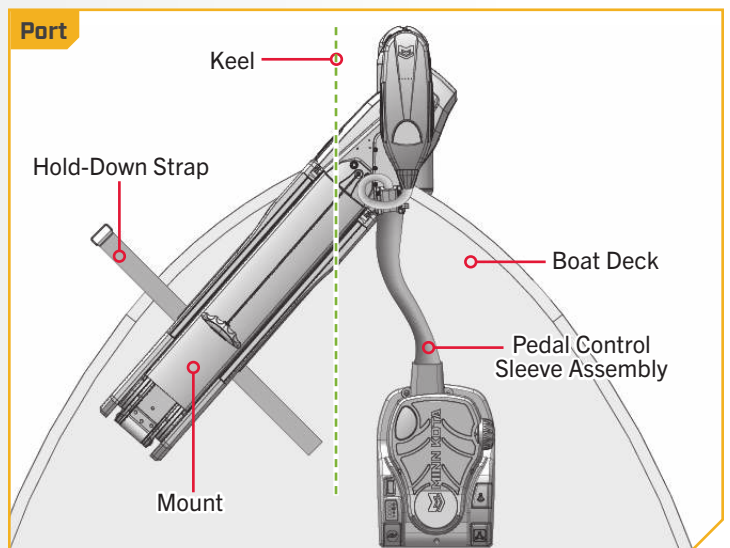
## ▶ Installing the Bottom Plate to the Bow (for all trolling motors)

1

- a. Place the Quick Release Bracket with the motor attached as close to the center line or Keel of the boat as possible. Make sure to check the clearance of the motor and the Quick Release Bracket for any possible obstructions on the bow of the boat. The trolling motor may be installed on the Port or Starboard side of the boat.
- b. Ensure that all six Mounting Holes on the Bottom Plate of the Quick Release Bracket can be used to install the Bottom Plate to the boat deck. Minn Kota recommends the use of all six Mounting Holes.

**NOTICE:** Images are for graphical representation only and may vary from your motor.

**NOTICE:** If personal preference is to Mount the motor on the Starboard side of the boat, please see the "Rotate the Pedal Control Sleeve Assembly for a Starboard Mount" in the Owner's manual after the Mount is secured to the deck of the boat for all Ultrex and Ultrex QUEST series trolling motors.

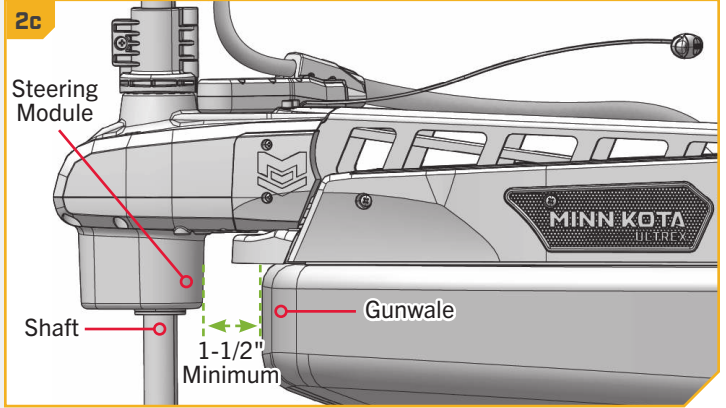




2

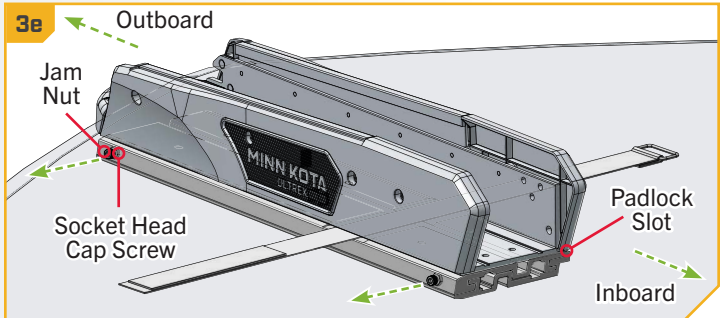
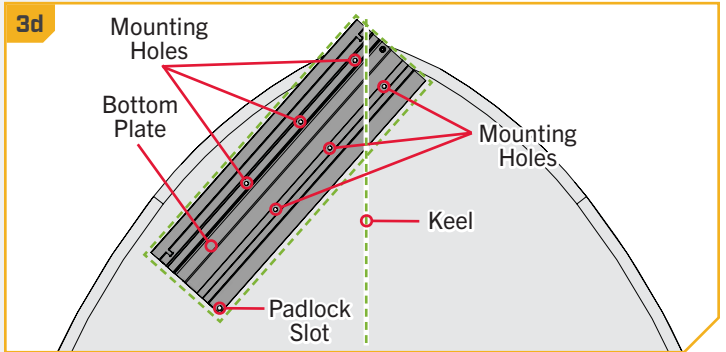
- c. Check the placement of the motor in the deployed position. With the motor deployed, ensure that the Steering Module and Shaft are a minimum of 1-1/2" out past the Gunwale of the boat. When stowed and deployed, the Lower Unit must not encounter any obstructions.

**NOTICE:** Check that the Motor can properly stow and deploy at the intended mounting location. The Mount should latch closed when deployed. If the latch on the Mount does not engage when deployed, it could indicate that the Mount is not flat on the Boat Deck. Use rubber washers to level the Mount on the Boat Deck.

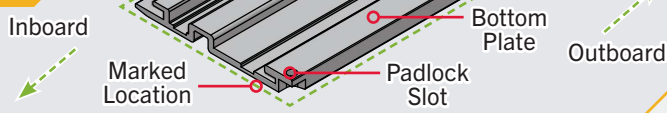


3

- d. Ensure that all six Mounting Holes on the Bottom Plate of the Quick Release Bracket can be used to install the Bottom Plate to the boat deck. Minn Kota recommends the use of all six Mounting Holes. Use an awl, pencil, or similar marking tool and mark the edges of the Bottom Plate on the bow of the boat.
- e. Locate the two 1/4-20 x 1.50-inch Socket Head Cap Screws along the side of the plates. Each 1/4-20 x 1.50 Socket Head Cap Screw holds a Jam Nut. Using a 3/16" Allen Wrench, loosen and remove the two Screws in a counter-clockwise direction. Keep the Jam Nuts in place.
- f. Reposition the Bottom Plate on the marked location on the bow of the boat. Make sure the Padlock Slot is facing inboard.

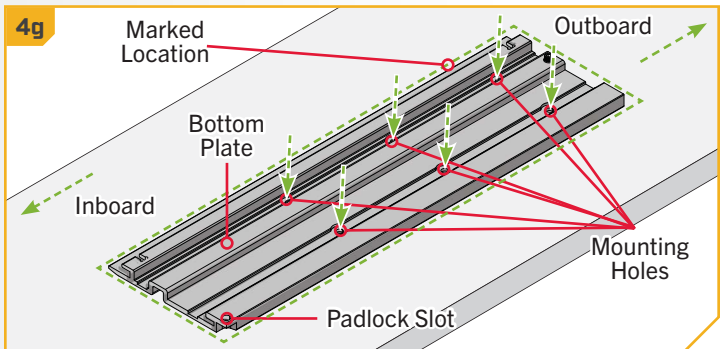


3f

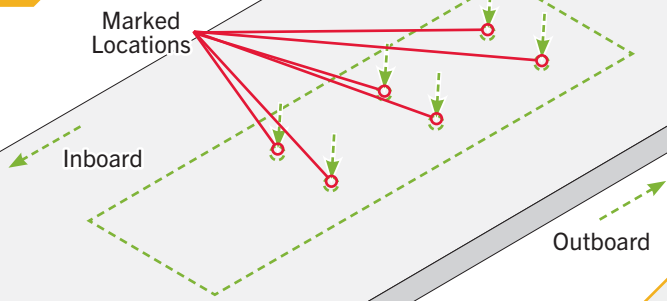


4

- g. Once the Bottom Plate is in position, locate the Mounting Holes on the base of the Mount. Minn Kota requires the use of all six Mounting Holes. Use an awl, pencil, or similar marking tool and mark the Boat Deck on all six Mounting Holes. Set the Bottom Plate aside.

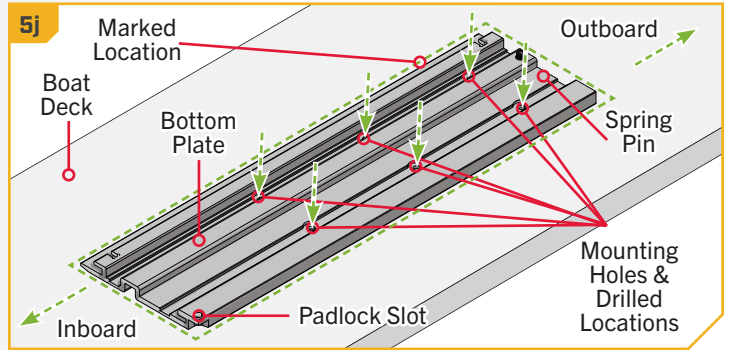
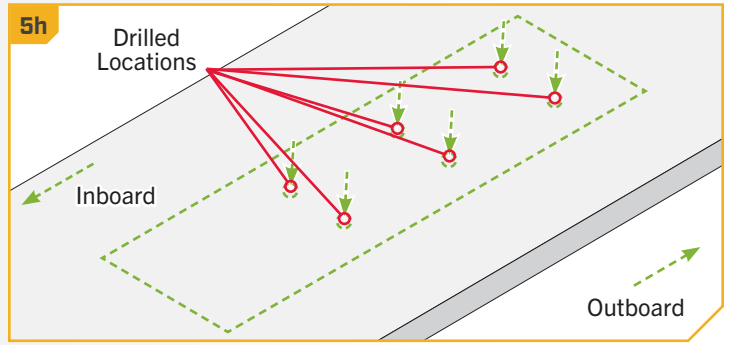


4g



# 5

- h. If installing an Edge, Fortrex, Maxxum, or Ultrex trolling motor, drill through the deck of the boat using a Drill and a  $\frac{3}{32}$ " Drill Bit on the marked locations.
- i. If installing a QUEST series Ultrex trolling motor, drill through the deck of the boat using a Drill and a  $2\frac{1}{64}$ " Drill Bit on the marked locations.
- j. Return the Bottom Plate to the Boat Deck aligning the Mounting Holes with the Drilled Holes.



# 6

## ITEM(S) NEEDED

☉ #18 x 6

○ #16 x 6

⌋ #12 x 6

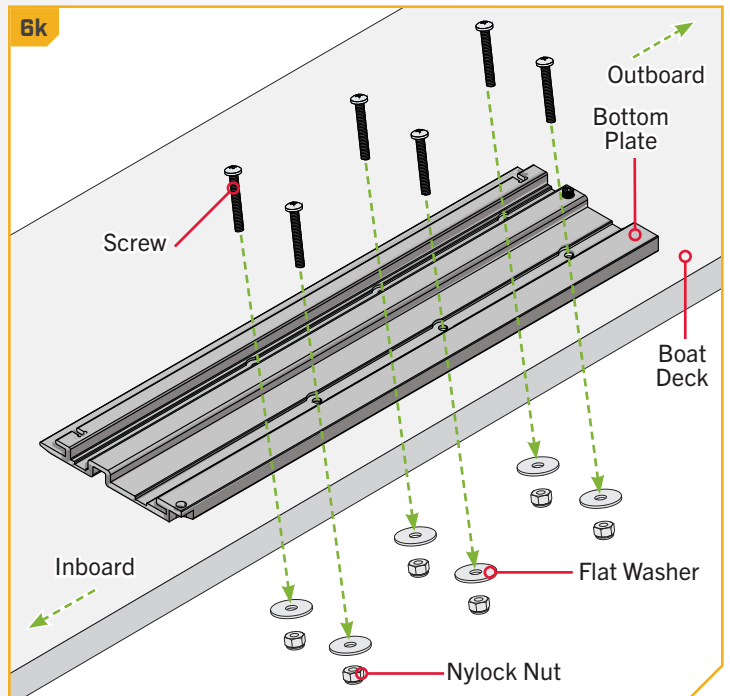
☉ #20 x 6

○ #26 x 6

⌋ #22 x 6

🔩 #28 x 1

- k. If installing an Edge, Fortrex, Maxxum or Ultrex trolling motor, take six  $\frac{1}{4}$ -20 x  $2\frac{1}{4}$ " Phillips Pan Head Screws (Item #12), six  $\frac{1}{4}$ " Flat Washers (Item #16), and six  $\frac{1}{4}$ -20 Nylock Nuts (Item #18). Apply anti-seize (Item #28) to all hardware. Insert each Phillips Pan Head Screw into the Bottom Plate and through the Boat Deck. Place one Flat Washer and one Nylock Nut on the end of each Screw below the Boat Deck. While holding each Nylock Nut with  $\frac{7}{16}$ " Box End or Open End Wrench, use a #3 Phillips Screwdriver to tighten each Screw. Make sure all hardware is secure.
- l. If installing a QUEST series Ultrex trolling motor, take six  $\frac{5}{16}$ -18 x 2.25" Phillips Pan Head Screws (Item #22) and six  $\frac{5}{16}$ " x 1.5" Flat Washers (Item #26) and six  $\frac{5}{16}$ -18 Nylock Nuts (Item #20). Apply anti-seize (Item #28) to all hardware. Insert each Phillips Pan Head Screw into the Bottom Plate and through the Boat Deck. Place one Flat Washer and one Nylock Nut on the end of each Screw. While holding each Nylock Nut with a  $\frac{1}{2}$ " Box End or Open End Wrench, use a #4 Phillips Screwdriver to tighten each Screw. Make sure all hardware is secure.



**NOTICE:** The mounting surface for the Bottom Plate must be completely flat; otherwise, the Top Plate will not fit correctly. Rubber washers can be used to shim the Bottom Plate flat before the hardware is tightened.

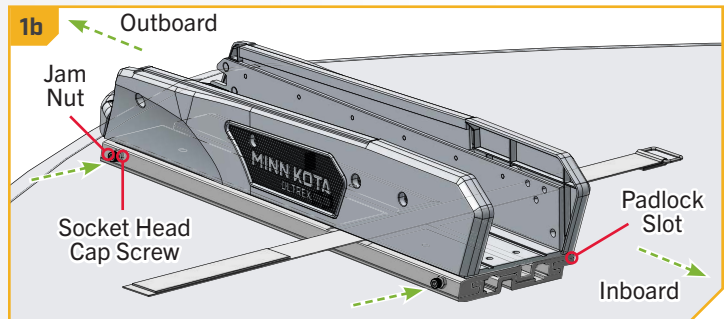
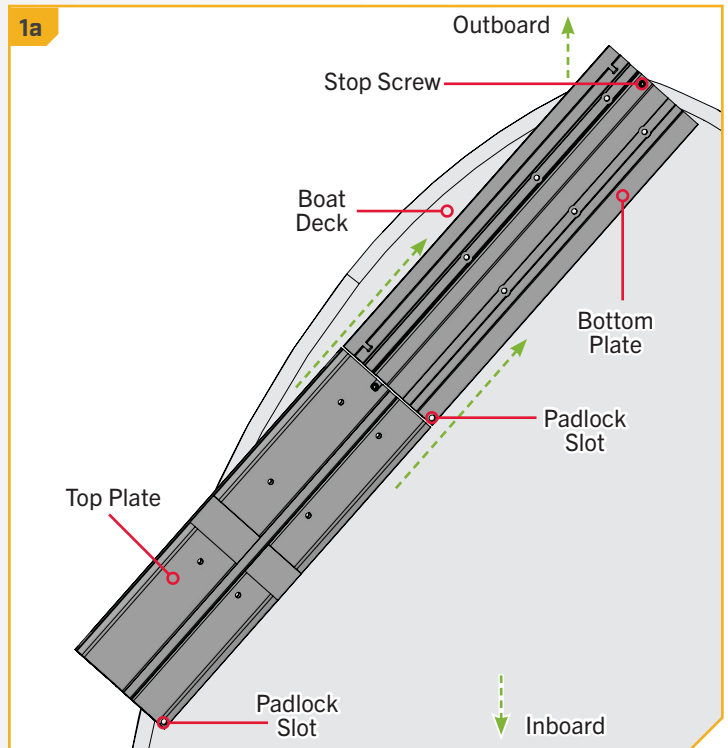
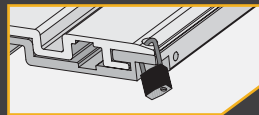
## › Completing the Installation for all Motors

1

- a. Take the Top Plate with the motor attached and slide it into the Bottom Plate. The Top Plate slides outboard from the back end of the Bottom Plate. Once slid all the way outboard, secure the Top Plate to the Bottom Plate.
- b. Take the two ¼-20 X 1.50-inch Socket Head Cap Screws (Item #10), each with a Jam Nut (Item #8) in place. Slide both plates to align the holes in the Top Plate and Bottom Plate. Apply anti-seize to all hardware. Install each ¼-20 X 1.50 Socket Head Cap Screw with the Jam Nut in place into the plates using a ⅜" Allen Wrench. Tighten the Allen Wrench turning clockwise until there is no movement between the plates. Tighten an additional quarter turn past tight. Once the ¼-20 X 1.50 Socket Head Cap Screws are tight, take a 7/16" Open End or Box End Wrench and tighten the Jam Nut. Make sure all hardware is secure.

**NOTICE:** If personal preference is to mount the motor on the Starboard side of the boat, please see the "Rotate the Pedal Control Sleeve Assembly for a Starboard Mount" in the Owner's Manual after the Mount is secured to the deck of the boat for all Ultrex and Ultrex QUEST series trolling motors.

**NOTICE:** Help prevent motor theft. A padlock can be installed in the hole in the bracket's inboard corner.



**NOTICE:** Once the installation of the Quick Release Bracket is complete, reinstall the Lift Cylinder or Gas Spring(s) for all Fortrex, Ultrex, and Ultrex QUEST series trolling motors. If the Steering Module or BowGuard were removed for ease of installation, reassemble it to the trolling motor. For Fortrex trolling motors, please first review the "Installing the Mount" section and then the "Installing the Gas Spring Pin" section of the Fortrex Owner's Manual (#2287106). For Ultrex trolling motors, please review the "Reassemble the Steering Module" section of the Ultrex Owner's Manual (#2297162). For Ultrex QUEST trolling motors, please first review the "Reassemble the Steering Module" section and then the "Reinstalling the Gas Springs" section of the Ultrex QUEST Owner's Manual (#2297166). Find Owner's Manuals online at [minnkota.johnsonoutdoors.com](http://minnkota.johnsonoutdoors.com).

For warranty information, please visit [minnkota.johnsonoutdoors.com](http://minnkota.johnsonoutdoors.com)



[minnkota.johnsonoutdoors.com](http://minnkota.johnsonoutdoors.com)



Minn Kota Consumer & Technical Service  
Johnson Outdoors Marine Electronics, Inc.  
PO Box 8129  
Mankato, MN 56001

121 Power Drive  
Mankato, MN 56001  
Phone (800) 227-6433  
Fax (800) 527-4464



©2023 Johnson Outdoors Marine Electronics, Inc.  
All rights reserved.