



DAVEY
StarFlo®



TOUGH AND VERSATILE

APPLICATION

Ideal for in-ground and above ground pools, large swim spas and plunge pools. Also suitable for solar pool heating. Models to suit pools up to 90,000 litres.

DESIGNED TO FILTER AND CIRCULATE POOL WATER

- **Reliable - Universal, multi-fit and versatile pump that suits multiple applications:**
 - Constructed of strong corrosion resistant and UV resistant materials for long and reliable working life
 - Heavy duty, totally enclosed motor protects against the elements for long operating life
 - Built-in, self-resetting thermal overload protects the motor against damage from over-heating
- **High Quality** – Corrosion resistant Noryl impeller for longer lasting trouble free performance
- **Long Lasting** – High performance silicon carbide Viton mechanical seal for long life in pool water
- **High Strength** – 316 stainless steel motor shaft
- **High Performance** – Powerful pumping delivering optimum flow rates for rapid pool water turnover
- Fully serviceable, allowing for easy maintenance and repair
- Drain plugs enabling simple water drainage for easy maintenance
- 3m power lead with 10amp Australian three pin plug fitted to all models
- 3 year warranty

DAVEY StarFlo®

Universal Pool Pump

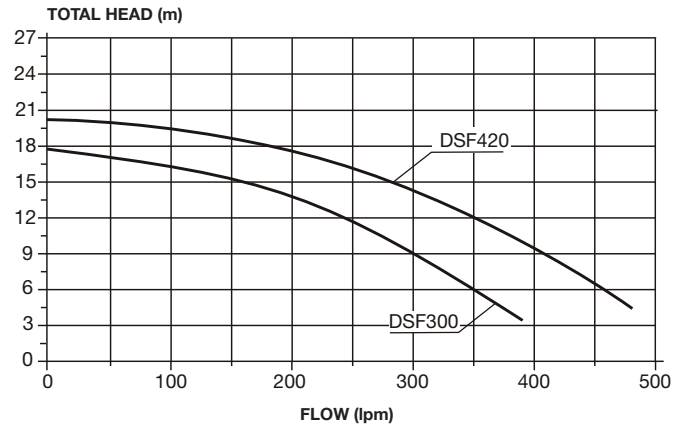


- 40 or 50mm Barrel unions supplied for ease of installation
- Easy to remove, see-through strainer lid
- Self resetting thermal overload protection in the event of the pump overheating
- Corrosion resistant Noryl impeller for longer lasting trouble-free performance
- 316 stainless steel motor shaft won't corrode or rust
- High performance motor with power reserves for extended operating life
- High performance silicon carbide Viton mechanical seal for long life in pool water

ELECTRICAL DATA

Model	DSF300	DSF420
Voltage (V)	220-240	
Phase	Single	
Supply frequency (Hz)	50	
Run current (A)	5.8	8.3
Motor input power (W)	1100	1650
Motor output power (W)	750	1300
RPM	2900	
Enclosure class (IP)	55	
Insulation class	F	
Approval No.	TUV02147EA	

HYDRAULIC PERFORMANCE

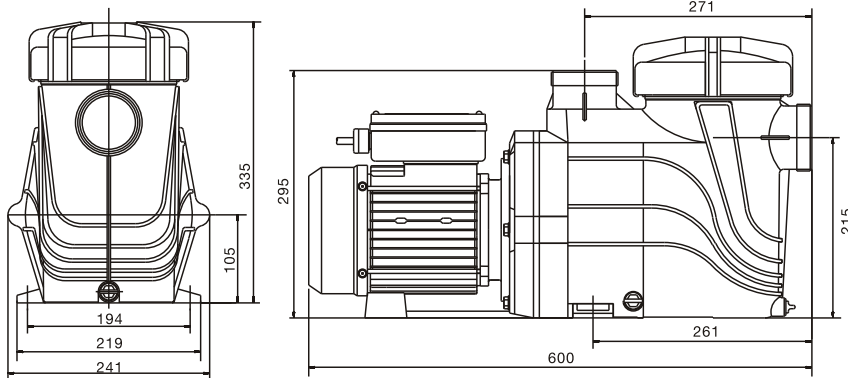


OPERATING LIMITS

Max. water temperature	Max. ambient temperature	Max. casing pressure	dBa @ 1 metre
40°C	50°C	350 kPa	62 - (DSF300) 65 - (DSF420)

DIMENSIONS (mm)

Model	Mounting Holes Diameter	Inlet PVC	Outlet PVC	Net Weight (kg)
DSF300	11	40 & 50	40 & 50	10.0
DSF420				11.5



daveywater.com

This literature is not a complete guide to product usage. Further information is available from your Davey Dealer, Davey Support Centre and from the relevant product Installation and Operating Instructions. Must be read in conjunction with the relevant product Installation and Operating Instructions and all applicable statutory requirements. Product specifications may change without notice. © Davey is a registered trademark of Davey Water Products Pty Ltd. © Davey Water Products Pty Ltd 2020.

DAVEY