

BLUETOOTH ENABLED

# DAVEY ProMaster®

VSD200

## INNOVATIVE POOL PUMP NOW WITH BLUETOOTH®

### APPLICATION

Ideal for pool filtration, in-floor pool cleaning systems, connection to external pool controllers, heat pumps and gas heaters. Suitable for pools up to 110,000 litres.



Smartphone control via  
DAVEY Pool Pump App



### HIGH EFFICIENCY, SUPER QUIET, WATER COOLED DESIGN

- > **Bluetooth** enabled to allow set and control functionality from your iOS or Android smartphone.
- > **Super Quiet** – Designed with a unique water cooled motor which captures noise and vibrations, allowing super quiet operation, rated down to 50dBa. Your neighbours won't even know it's there.
- > **Full Variable Speed Control** – The ProMaster offers the pool owner and operator total control over the speed at which the pump needs to operate, from 1,500rpm to 3,600rpm
- > **Energy Efficiency** – 8 Star energy rating offering up to 70% lower energy use than a traditional fixed speed 1hp pump\*
- > **Backwash speed cycling technology with auto shut off** – ProMaster is designed with a schedule selectable backwash cycle that runs the pump between a low and high speeds to agitate the filter media, delivering a more effective clean. A 2 minute auto-shut-off ensures the pump is not accidentally left on draining pool water.
- > **Dependable** – ProMaster incorporates unique loss of prime protection to minimise pump damage if no water is available to the pump.
- > **Convenient** – By water cooling the motor, ProMaster does not require air ventilation, and gives installers more flexibility with pump positioning
  - Easy to install set and operate, no complicated digital push button controls
  - Automatic restart technology
  - Large 4.5 litre leaf basket for long intervals between cleaning
- > **Double insulated to water circuit** – provided with an Equipotential Bonding Point for AS/NZ 3000 wiring standards


\*Running your pump at low speed uses less energy to turnover the same amount of pool water.

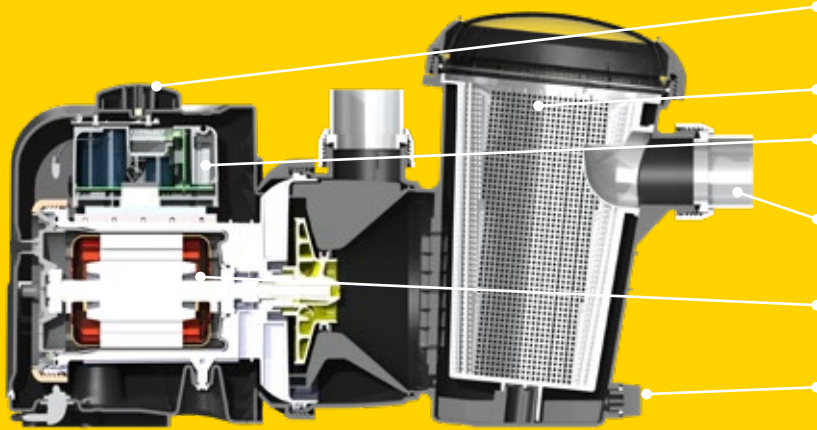


Depend on Davey

# DAVEY

# ProMaster Bluetooth® VSD200 Pool Pump

Bluetooth smartphone control via IOS or Android app 

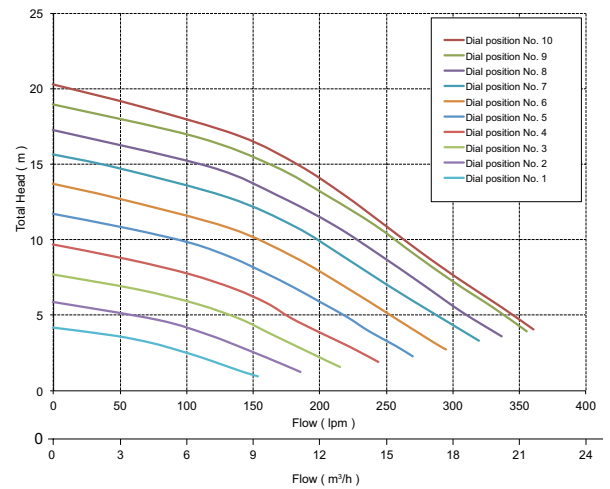


- Variable Frequency Drive** with selectable speed dial from 1500rpm to 3600rpm
- Large Leaf Basket** with easy to remove, clear lid
- Loss of prime protection** to protect the pump when there is no water inside the pump
- Quality ABS quick coupling barrel unions** for simple installation
- High performance water cooled motor** for super quiet, efficient use all year round
- Drain plug** enables quick draining of the casing for easy removal and maintenance

## ELECTRICAL DATA

Voltage (VAC)	220-240
Supply frequency (Hz)	50/60
Max input power (W/hp)	128W/0.17hp @ Dial 1 524W/0.70hp @ Dial 5 1,111W/1.48hp @ Dial 10 Backwash: varies
Motor speed (rpm)	1,500 to 3,600
Backwash (rpm)	Variable
Enclosure class (IP)	45
Insulation class	F
Power lead length	3m
Approval No.	SGS-150025-EA

## HYDRAULIC PERFORMANCE

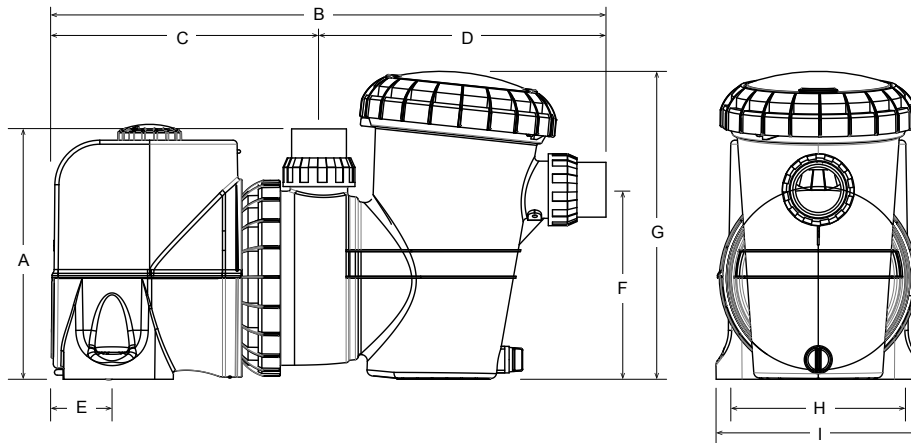


## OPERATING LIMITS

Max. water temperature	Max. ambient temperature	Noise level (AS 5102.2)
40°C	50°C	50 dBa (at Speed 1)

## DIMENSIONS (mm)

Model	A	B	C	D	E	F	G	H	I	Mounting Holes Diameter	Inlet/Outlet PVC	Net Weight (kg)
PM200BT	305	670	320	350	65	230	380	200	250	10	40/50	14



[davey.com.au](http://davey.com.au) | [daveynz.co.nz](http://daveynz.co.nz) | [daveyeurope.eu](http://daveyeurope.eu) | [daveyusa.com](http://daveyusa.com)

This literature is not a complete guide to product usage. All images provided in this document are for illustration purposes only. Further information is available from your Davey Dealer, Davey Support Centre and from the relevant product Installation and Operating Instructions. Must be read in conjunction with the relevant product Installation and Operating Instructions and all applicable statutory requirements. Product specifications may change without notice. © Davey is a registered trademark of Davey Water Products Pty Ltd. © Davey Water Products Pty Ltd 2019.

# DAVEY

Depend on Davey