

FLOS

Glo-Ball Basic 2 (Halogen) - Specification Sheet by Jasper Morrison, 1998

| | |
|-----------------------------------|--|
| Mounting | Table Top |
| Lamp (Bulb) Description | 1 x 150W T-8 Medium Frosted Halogen (Included) |
| Environment | Indoor - Dry Location |
| Dimming | Dimmable |
| Finish | Opal |
| Technical and Product Description | GLO-BALL BASIC 2 table lamp with blown white acid-etched glass diffuser. 30% fiberglass reinforced injection-molded polyamide (UL-94 V2) base. Gray painted, die-cast aluminum diffuser support. 0-100% dimmer fitted on polarized power cord. |

Electrical

| | |
|-----------|-------------------------------------|
| Voltage | 120 |
| Switching | 0-100% dimmer installed on the cord |
| IP Rating | IP40 |

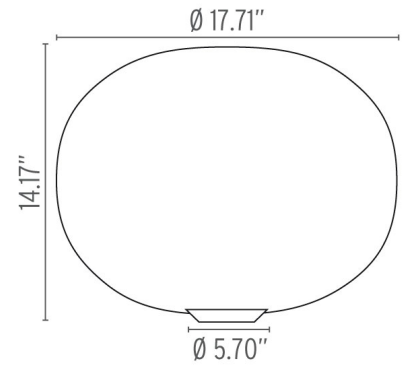
Physical

| | |
|-----------------------|--------------------------------|
| Cord Length (inches) | 78" - White |
| Construction Material | Aluminum, Blown glass, Plastic |
| Weight | 11.68 lbs |



FU302600 Opal

Dimensional Image



Certifications



Lamping (Bulb)



150W T8 E26 Frosted Halogen

Lamping (Bulb)



LED018 PRO-T38LED 14W 120V E26 2700K
DIMM - 1800lm - CRI80 Additional

Lamping (Bulb)



LED031 PRO-T38LED 14W 120V E26 3000K
Dimmable - 1800lm - CRI80- Additional