

# FLOS

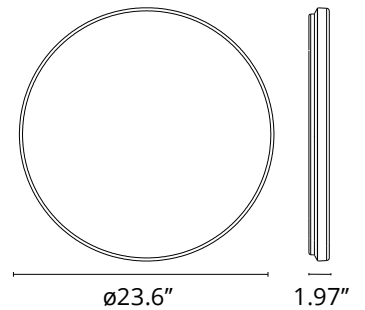
FU157009 White

## Clara

Designed by Piero Lissoni, 2015

55W - 3141lm - 2700K

So simple, and yet, so brilliant: The Clara lamp from Piero Lissoni is an excellent example of the artist's minimalist style and smart use of materials. The front diffuser is made of high efficiency, injection-molded opal PC (polycarbonate). The ceiling/wall fitting is injection-molded PC. The dimmable LED light source is line voltage (from 100 to 130 VAC) and can be hooked directly to a standard US j-box. For decorative purposes, an optional accessory made of PC and ABS/PC is available in various choices of finish: transparent, fumée (smoked), chrome, and copper. Inspiration behind the design: When designing the simply brilliant Clara, Piero Lissoni drew his inspiration from one of his favorite films, Young Frankenstein, quoting "Until, from the midst of this darkness, a sudden light broke in upon me-a light so brilliant and wondrous, and yet so simple! Change the poles from plus to minus and from minus to plus&hellip;"



Are you a professional and your project needs consulting and support?

[BOOK AN APPOINTMENT](#)


### Main specifications

EAN	8059607027981
Mounting	Ceiling and wall surface
Environments	Indoor dry location
Light Source Type	LED
LED type	LED Module
Power (W)	55
System flux (lm)	3141

### Physical

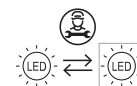
Color	White
Length (in)	23.62
Net weight (lb)	6.61
Package height (in)	26.38
Package width (in)	4.33
Package length (in)	26.77
Package volume (in)	3058.28
IP internal	40

### Download

- [Mounting instructions](#)  PDF
- [Compatible dimmers](#)  PDF

### Ecodesign and Energy Labelling

This product contains a light source of energy efficiency class F



Replaceable (LED only) light source by a professional



## Photometric

Light distribution	Roto symmetric
CCT (K)	2700

## Electrical

Insulation class	II
Frequency (Hz)	60
Main voltage (Vac)	120
Driver	Integrated
Dimmable	Yes
Dimming type	Mains Cut Dimming
Dimming interface	Remote Dimmable (Dimmer Not Included)
Batteries inside	No

## Accessories & Power Supply



OPTIONAL

F1571000

Clara Frieze



OPTIONAL

F1571015

Clara Frieze



OPTIONAL

F1571030A

Clara Frieze



OPTIONAL

F1571057

Clara Frieze

## Spare Parts



- |     |   |           |
|-----|---|-----------|
| 01. | Kit diffuser                              | RF1570200 |
| 02. | Kit of n.4 screws & hexagonal screwdriver | RF1570100 |



RF1570200

Kit diffuser



RF1570100

Kit of n.4 screws & hexagonal  
screwdriver