

FLOS

To-Tie T3, Anodized Natural - Specification Sheet by Guglielmo Poletti, 2022

Mounting	Free Standing
Lamp (Bulb) Description	LED 10W 515lm 2700K CRI90
Environment	Indoor - Dry Location
Finish	Anodized Natural


Electrical

Voltage	24
Switching	Dimmer switch that provide ON-OFF functions and 10-100% light adjustment with memory
IP Rating	IP20

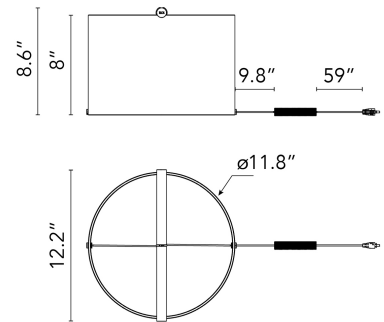
Physical

Cord Length (inches)	BLACK
Construction Material	Glass
Weight	5.9 lbs



 F7543054 Anodized Natural

Dimensional Image



Certifications

