

Choose the language

English

Italiano

Deutsch

Français

Español

THIN-K

Sizes

Prof. 80 cm
Depth 31 4/8"

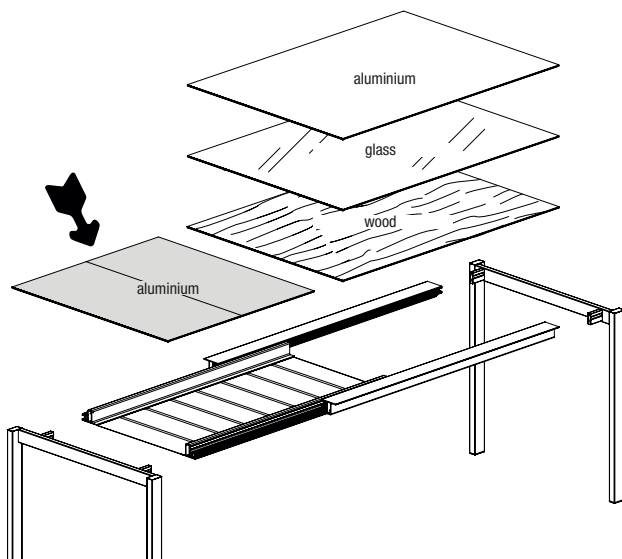
80	80 cm 31 4/8"	→ Aluminium
	123 cm 48 3/8"	→ Aluminium → Glass → Wood
	123/163/203 cm 48 3/8/64 1/8/79"	→ Aluminium → Glass → Wood
	150 cm 59"	→ Aluminium → Glass → Wood
	150/190/230 cm 59/74 7/8/90 1/2"	→ Aluminium → Glass → Wood

Prof. 90 cm
Depth 35 3/8"

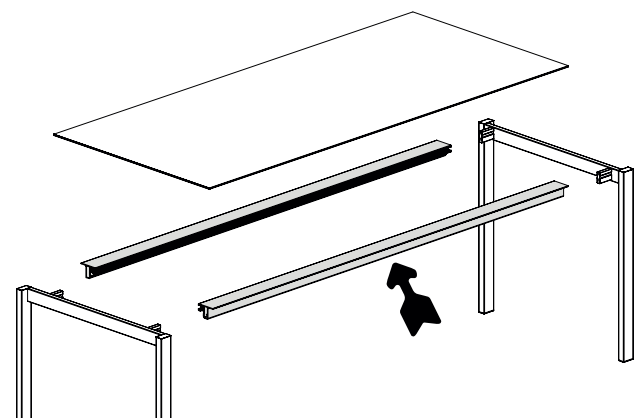
90	150 cm 59"	→ Aluminium → Glass
	150/190/230 cm 59/74 7/8/90 1/2"	→ Aluminium → Glass
	170 cm 66 7/8"	→ Aluminium → Glass → Wood
	170/210/250 cm 66 7/8/82 3/4/98 3/8"	→ Aluminium → Glass → Wood

Prof. 100 cm
Depth 39 3/8"

100	200 cm 78 3/4"	→ Aluminium → Wood
	200/240/280 cm 78 3/4/94 1/2/110 2/8"	→ Aluminium → Wood
	220 cm 86 5/8"	→ Aluminium → Wood
	240 cm 94 4/8"	→ Aluminium → Wood
	260 cm 102 3/8"	→ Aluminium → Wood
	280 cm 110 2/8"	→ Aluminium → Wood
	295 cm 116 1/8"	→ Aluminium → Wood



For Thin-K tables in an extendable version, the extensions are always in epoxy powder lacquered aluminium (also for versions with a glass or wood top).



For Thin-K tables up to 200 cm long with aluminium, wood or glass top, the under-top bars are in anodised aluminium.

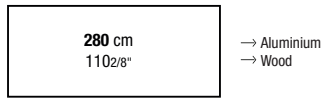
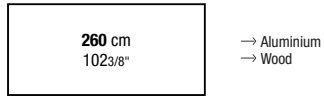
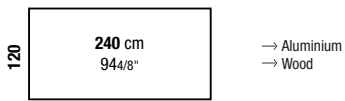
For Thin-K tables over 200 cm long with aluminium top, have under-top bars lacquered in the same colour as the top.

For Thin-K tables over 200 cm long with "European Oak" or "Walnut" wood top, the under-top bars are in anodised aluminium.

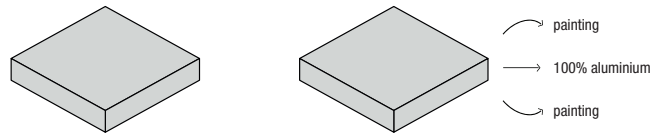
For tops in "Black Oak", the aluminium bars are lacquered black.

Tops 6 mm thick

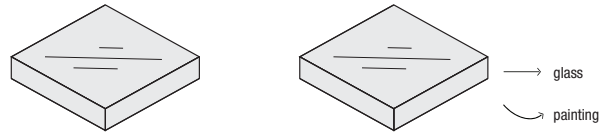
Prof. 120 cm
Depth 47²/₈"



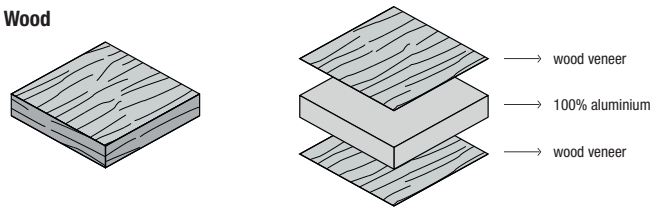
Aluminium



Glass



Wood



THIN-K ALUMINIUM

Extensible - Depth 80 cm

Leg finish:

Aluminium grey lacquered steel (similar to RAL 7042)
 White lacquered steel (similar to RAL 9016)
 Sand grey lacquered steel (similar to RAL 9002)
 Anthracite grey lacquered steel (similar to RAL 7015)
 Black lacquered steel (similar to RAL 9004)
 Olive green lacquered steel (colour reference "Olive green polyurethane PO08")

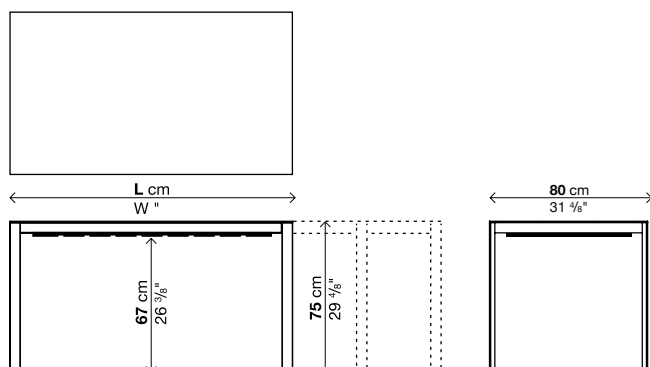
Note:

Reinforced packaging, see inside cover.

Top finish/external details on leg/extensions:

Aluminium grey lacquered aluminium (similar to RAL 7042)
 White lacquered aluminium (similar to RAL 9016)
 Sand grey lacquered aluminium (similar to RAL 9002)
 Anthracite grey lacquered aluminium (similar to RAL 7015)
 Black lacquered aluminium (similar to RAL 9004)
 Olive green lacquered aluminium (colour reference "Olive green polyurethane PO08")

Code	Lenght	Legs	Top	pack	m ³	Kg
			Lacquered aluminium			
01THK01	123-163-203	Lacquered		1	0,27	54
01THK02	150-190-230	Lacquered		1	0,32	62



THIN-K ALUMINIUM

Fixed - Depth 80 cm

Leg finish:

Aluminium grey lacquered steel (similar to RAL 7042)
 White lacquered steel (similar to RAL 9016)
 Sand grey lacquered steel (similar to RAL 9002)
 Anthracite grey lacquered steel (similar to RAL 7015)
 Black lacquered steel (similar to RAL 9004)
 Olive green lacquered steel (colour reference "Olive green polyurethane P008")

Note:

Reinforced packaging, see inside cover.

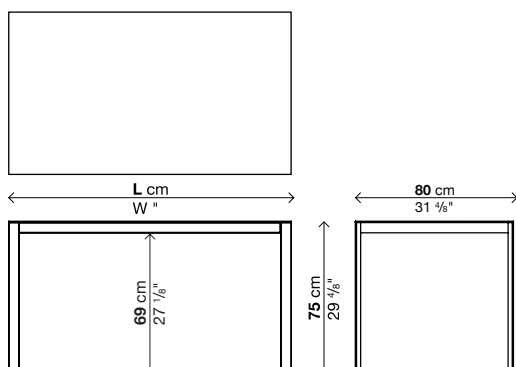
Top finish/external details on leg:

Aluminium grey lacquered aluminium (similar to RAL 7042)
 White lacquered aluminium (similar to RAL 9016)
 Sand grey lacquered aluminium (similar to RAL 9002)
 Anthracite grey lacquered aluminium (similar to RAL 7015)
 Black lacquered aluminium (similar to RAL 9004)
 Olive green lacquered aluminium (colour reference "Olive green polyurethane P008")

Code	Lenght	Legs	Top	pack	m ³	Kg
			Lacquered aluminium			
01THK03F	80	Lacquered		1	0,18	29
01THK01F	123	Lacquered		1	0,27	39
01THK02F	150	Lacquered		1	0,32	44

Optionals

Code	Description	pack	m ³	Kg
02RET09	Plastic cable mesh	1	0,07	1
02VER01	Vertebra, opal white methacrylate	1	0,01	1,5
02CPU07	CPU unit, opal white methacrylate	1	0,14	5,5
	Cable hole and management, see page 320	-	-	-



THIN-K ALUMINIUM

Extensible - Depth 90 cm

Leg finish:

- Aluminium grey lacquered steel (similar to RAL 7042)
- White lacquered steel (similar to RAL 9016)
- Sand grey lacquered steel (similar to RAL 9002)
- Anthracite grey lacquered steel (similar to RAL 7015)
- Black lacquered steel (similar to RAL 9004)
- Olive green lacquered steel (colour reference "Olive green polyurethane P008")

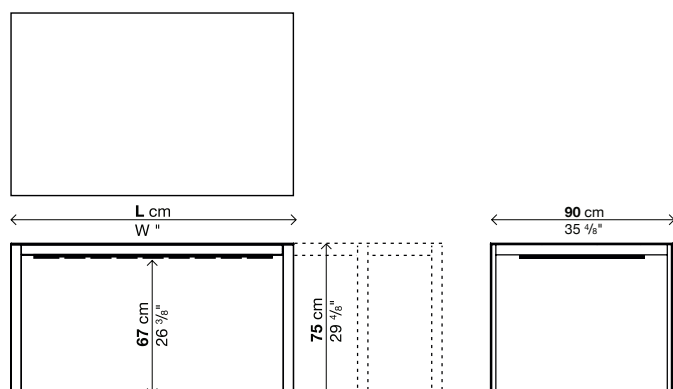
Note:

Reinforced packaging, see inside cover.

Top finish/external details on leg/extensions:

- Aluminium grey lacquered aluminium (similar to RAL 7042)
- White lacquered aluminium (similar to RAL 9016)
- Sand grey lacquered aluminium (similar to RAL 9002)
- Anthracite grey lacquered aluminium (similar to RAL 7015)
- Black lacquered aluminium (similar to RAL 9004)
- Olive green lacquered aluminium (colour reference "Olive green polyurethane P008")

Code	Lenght	Legs	Top	pack	m ³	Kg
			Lacquered aluminium			
01THK10	150-190-230	Lacquered		1	0,36	65
01THK04	170-210-250	Lacquered		1	0,37	76



THIN-K ALUMINIUM

Fixed - Depth 90 cm

Leg finish:

Aluminium grey lacquered steel (similar to RAL 7042)
 White lacquered steel (similar to RAL 9016)
 Sand grey lacquered steel (similar to RAL 9002)
 Anthracite grey lacquered steel (similar to RAL 7015)
 Black lacquered steel (similar to RAL 9004)
 Olive green lacquered steel (colour reference "Olive green polyurethane P008")

Note:

Reinforced packaging, see inside cover.

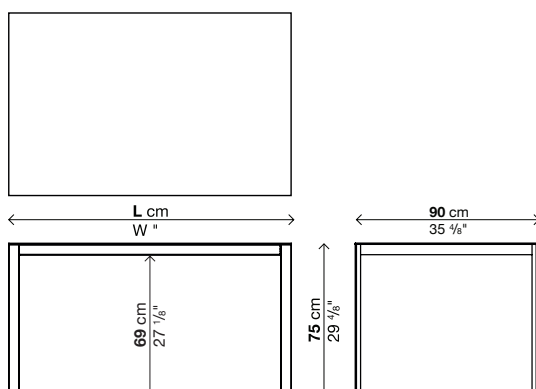
Top finish/external details on leg:

Aluminium grey lacquered aluminium (similar to RAL 7042)
 White lacquered aluminium (similar to RAL 9016)
 Sand grey lacquered aluminium (similar to RAL 9002)
 Anthracite grey lacquered aluminium (similar to RAL 7015)
 Black lacquered aluminium (similar to RAL 9004)
 Olive green lacquered aluminium (colour reference "Olive green polyurethane P008")

Code	Lenght	Legs	Top	pack	m ³	Kg
			Lacquered aluminium			
01THK10F	150	Lacquered		1	0,36	47
01THK04F	170	Lacquered		1	0,37	53

Optionals

Code	Description	pack	m ³	Kg
02RET10	Plastic cable mesh	1	0,07	1
02VER01	Vertebra, opal white methacrylate	1	0,01	1,5
02CPU08	CPU unit, opal white methacrylate	1	0,14	5,5
	Cable hole and management, see page 320	-	-	-



THIN-K ALUMINIUM

Extensible - Depth 100 cm

Leg finish:

Aluminium grey lacquered steel (similar to RAL 7042)
 White lacquered steel (similar to RAL 9016)
 Sand grey lacquered steel (similar to RAL 9002)
 Anthracite grey lacquered steel (similar to RAL 7015)
 Black lacquered steel (similar to RAL 9004)
 Olive green lacquered steel (colour reference "Olive green polyurethane P008")

Top finish/external details on leg/extensions:

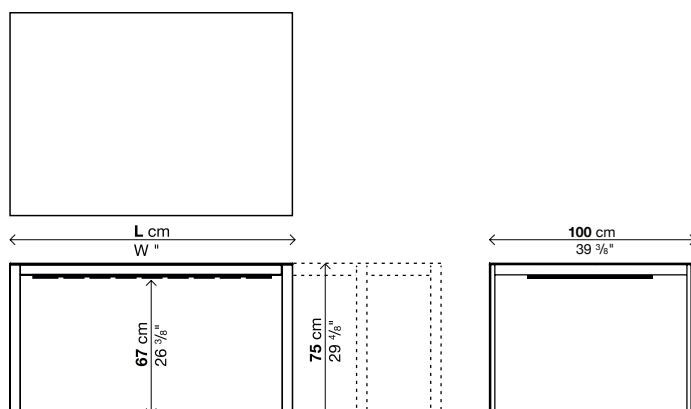
Aluminium grey lacquered aluminium (similar to RAL 7042)
 White lacquered aluminium (similar to RAL 9016)
 Sand grey lacquered aluminium (similar to RAL 9002)
 Anthracite grey lacquered aluminium (similar to RAL 7015)
 Black lacquered aluminium (similar to RAL 9004)
 Olive green lacquered aluminium (colour reference "Olive green polyurethane P008")

Note:

Important: sizes and finishes marked with (!) require longer production lead time, about 6 weeks from the date of the order.

Reinforced packaging, see inside cover.

Code	Lenght	Legs	Top	pack	m ³	Kg
			Lacquered aluminium			
01THK05	200-240-280 (!)	Lacquered		1	0.5	91



THIN-K ALUMINIUM

Fixed - Depth 100 cm

Leg finish:

Aluminium grey lacquered steel (similar to RAL 7042)
 White lacquered steel (similar to RAL 9016)
 Sand grey lacquered steel (similar to RAL 9002)
 Anthracite grey lacquered steel (similar to RAL 7015)
 Black lacquered steel (similar to RAL 9004)
 Olive green lacquered steel (colour reference "Olive green polyurethane P008")

Note:

Important: sizes and finishes marked with (!) require longer production lead time, about 6 weeks from the date of the order.

Reinforced packaging, see inside cover.

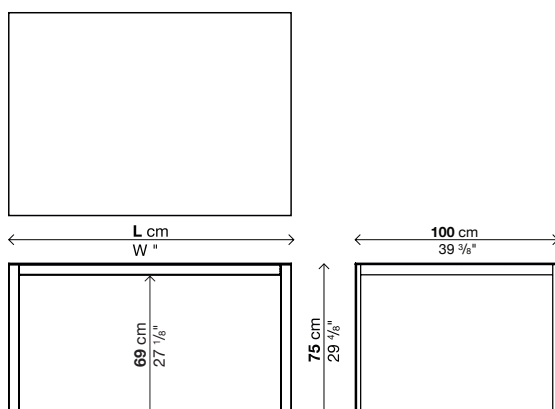
Top finish/external details on leg:

Aluminium grey lacquered aluminium (similar to RAL 7042)
 White lacquered aluminium (similar to RAL 9016)
 Sand grey lacquered aluminium (similar to RAL 9002)
 Anthracite grey lacquered aluminium (similar to RAL 7015)
 Black lacquered aluminium (similar to RAL 9004)
 Olive green lacquered aluminium (colour reference "Olive green polyurethane P008")

Code	Lenght	Legs	Top	pack	m ³	Kg
			Lacquered aluminium			
01THK05F	200 (!)	Lacquered		1	0,5	66
01THK08F	220 (!)	Lacquered		1	0,55	80
01THK09F	240 (!)	Lacquered		1	0,59	86
01THK30F	260 (!)	Lacquered		1	0,64	91
01THK31F	280 (!)	Lacquered		1	0,68	97
01THK07F	295 (!)	Lacquered		1	0,73	101

Optionals

Code	Description	pack	m ³	Kg
02RET11	Plastic cable mesh	1	0,07	1
02VER01	Vertebra, opal white methacrylate	1	0,01	1,5
02CPU09	CPU unit, opal white methacrylate	1	0,14	5,5
	Cable hole and management, see page 320	-	-	-



THIN-K ALUMINIUM

Fixed - Depth 120 cm

Leg finish:

Aluminium grey lacquered steel (similar to RAL 7042)
 White lacquered steel (similar to RAL 9016)
 Sand grey lacquered steel (similar to RAL 9002)
 Anthracite grey lacquered steel (similar to RAL 7015)
 Black lacquered steel (similar to RAL 9004)
 Olive green lacquered steel (colour reference "Olive green polyurethane P008")

Note:

Important: sizes and finishes marked with (!) require longer production lead time, about 6 weeks from the date of the order.

Reinforced packaging, see inside cover.

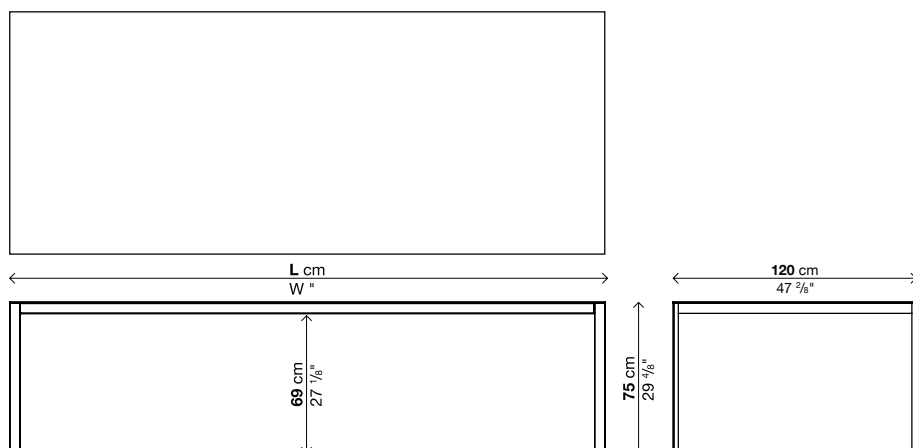
Top finish/external details on leg:

Aluminium grey lacquered aluminium (similar to RAL 7042)
 White lacquered aluminium (similar to RAL 9016)
 Sand grey lacquered aluminium (similar to RAL 9002)
 Anthracite grey lacquered aluminium (similar to RAL 7015)
 Black lacquered aluminium (similar to RAL 9004)
 Olive green lacquered aluminium (colour reference "Olive green polyurethane P008")

Code	Lenght	Legs	Top	pack	m ³	Kg
			Lacquered aluminium			
01THK32F	240 (!)	Lacquered		1	0,69	110
01THK33F	260 (!)	Lacquered		1	0,75	118
01THK34F	280 (!)	Lacquered		1	0,8	125
01THK35F	295 (!)	Lacquered		1	0,86	131

Optionals

Code	Description	pack	m ³	Kg
02RET08	Plastic cable mesh	1	0,07	1
02VER01	Vertebra, opal white methacrylate	1	0,01	1,5
	Cable hole and management, see page 320	-	-	-



THIN-K WOOD

Extensible - Depth 80 cm

Leg finish:

Aluminium grey lacquered steel (similar to RAL 7042)
 White lacquered steel (similar to RAL 9016)
 Sand grey lacquered steel (similar to RAL 9002)
 Anthracite grey lacquered steel (similar to RAL 7015)
 Black lacquered steel (similar to RAL 9004)
 Olive green lacquered steel (colour reference "Olive green polyurethane P008")

Top finish/external details on leg:

Wood, european oak effect
 Wood, walnut effect
 Wood, black oak effect

Finish of extensions:

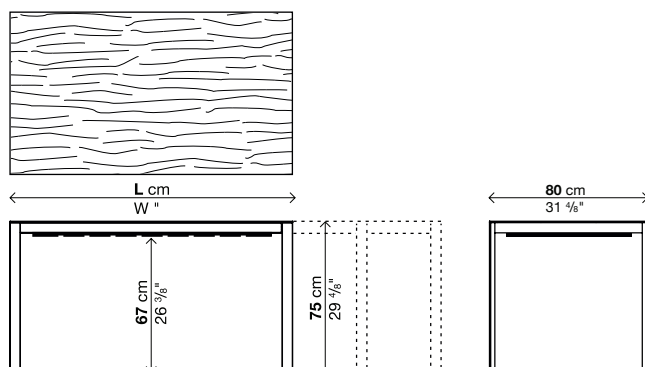
Aluminium grey lacquered aluminium (similar to RAL 7042)
 White lacquered aluminium (similar to RAL 9016)
 Sand grey lacquered aluminium (similar to RAL 9002)
 Anthracite grey lacquered aluminium (similar to RAL 7015)
 Black lacquered aluminium (similar to RAL 9004)
 Olive green lacquered aluminium (colour reference "Olive green polyurethane P008")

Note:

Important: sizes and finishes marked with (!) require longer production lead time, about 6 weeks from the date of the order.

Reinforced packaging, see inside cover.

Code	Lenght	Legs	Top	pack	m ³	Kg
			Wood			
01THK40	123-163-203 (!)	Lacquered		1	0,27	54
01THK41	150-190-230 (!)	Lacquered		1	0,32	62



THIN-K WOOD

Fixed - Depth 80 cm

Leg finish:

Aluminium grey lacquered steel (similar to RAL 7042)
 White lacquered steel (similar to RAL 9016)
 Sand grey lacquered steel (similar to RAL 9002)
 Anthracite grey lacquered steel (similar to RAL 7015)
 Black lacquered steel (similar to RAL 9004)
 Olive green lacquered steel (colour reference "Olive green polyurethane P008")

Note:

Important: sizes and finishes marked with (!) require longer production lead time, about 6 weeks from the date of the order.

Reinforced packaging, see inside cover.

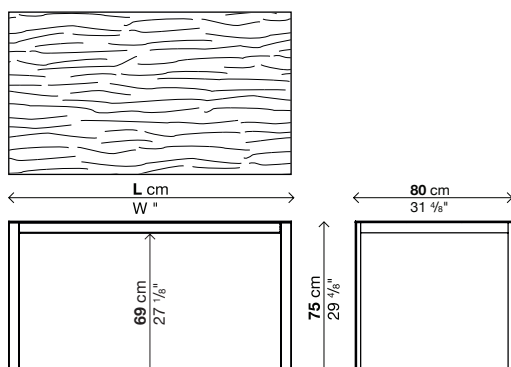
Top finish/external details on leg:

Wood, european oak effect
 Wood, walnut effect
 Wood, black oak effect

Code	Lenght	Legs	Top	pack	m ³	Kg
			Wood			
01THK40F	123 (!)	Lacquered		1	0,27	39
01THK41F	150 (!)	Lacquered		1	0,32	44

Optionals

Code	Description	pack	m ³	Kg
02RET09	Plastic cable mesh	1	0,07	1
02VER01	Vertebra, opal white methacrylate	1	0,01	1,5
02CPU07	CPU unit, opal white methacrylate	1	0,14	5,5
	Cable hole and management, see page 320	-	-	-



THIN-K WOOD

Extensible - Depth 90 cm

Leg finish:

Aluminium grey lacquered steel (similar to RAL 7042)
 White lacquered steel (similar to RAL 9016)
 Sand grey lacquered steel (similar to RAL 9002)
 Anthracite grey lacquered steel (similar to RAL 7015)
 Black lacquered steel (similar to RAL 9004)
 Olive green lacquered steel (colour reference "Olive green polyurethane P008")

Top finish/external details on leg:

Wood, european oak effect
 Wood, walnut effect
 Wood, black oak effect

Finish of extensions:

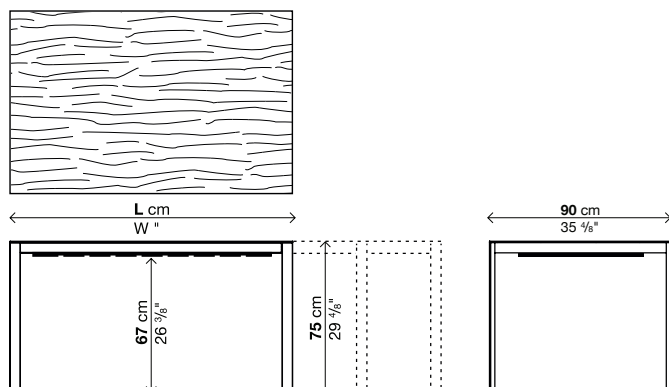
Aluminium grey lacquered aluminium (similar to RAL 7042)
 White lacquered aluminium (similar to RAL 9016)
 Sand grey lacquered aluminium (similar to RAL 9002)
 Anthracite grey lacquered aluminium (similar to RAL 7015)
 Black lacquered aluminium (similar to RAL 9004)
 Olive green lacquered aluminium (colour reference "Olive green polyurethane P008")

Note:

Important: sizes and finishes marked with (!) require longer production lead time, about 6 weeks from the date of the order.

Reinforced packaging, see inside cover.

Code	Lenght	Legs	Top	pack	m ³	Kg
			Wood			
01THK42	170-210-250 (!)	Lacquered		1	0,37	76



THIN-K WOOD

Fixed - Depth 90 cm

Leg finish:

- Aluminium grey lacquered steel (similar to RAL 7042)
- White lacquered steel (similar to RAL 9016)
- Sand grey lacquered steel (similar to RAL 9002)
- Anthracite grey lacquered steel (similar to RAL 7015)
- Black lacquered steel (similar to RAL 9004)
- Olive green lacquered steel (colour reference "Olive green polyurethane P008")

Note:

Important: sizes and finishes marked with (!) require longer production lead time, about 6 weeks from the date of the order.

Reinforced packaging, see inside cover.

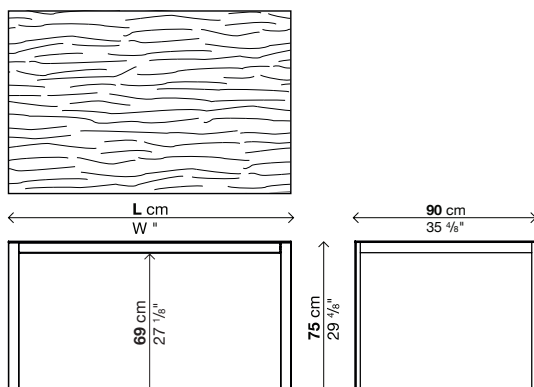
Top finish/external details on leg:

- Wood, european oak effect
- Wood, walnut effect
- Wood, black oak effect

Code	Lenght	Legs	Top	pack	m ³	Kg
			Wood			
01THK42F	170 (!)	Lacquered		1	0,37	53

Optionals

Code	Description	pack	m ³	Kg
02RET10	Plastic cable mesh	1	0,07	1
02VERO1	Vertebra, opal white methacrylate	1	0,01	1,5
02CPU08	CPU unit, opal white methacrylate	1	0,14	5,5
	Cable hole and management, see page 320	-	-	-



THIN-K WOOD

Extensible - Depth 100 cm

Leg finish:

Aluminium grey lacquered steel (similar to RAL 7042)
 White lacquered steel (similar to RAL 9016)
 Sand grey lacquered steel (similar to RAL 9002)
 Anthracite grey lacquered steel (similar to RAL 7015)
 Black lacquered steel (similar to RAL 9004)
 Olive green lacquered steel (colour reference "Olive green polyurethane PO08")

Top finish/external details on leg:

Wood, european oak effect
 Wood, walnut effect
 Wood, black oak effect

Finish of extensions:

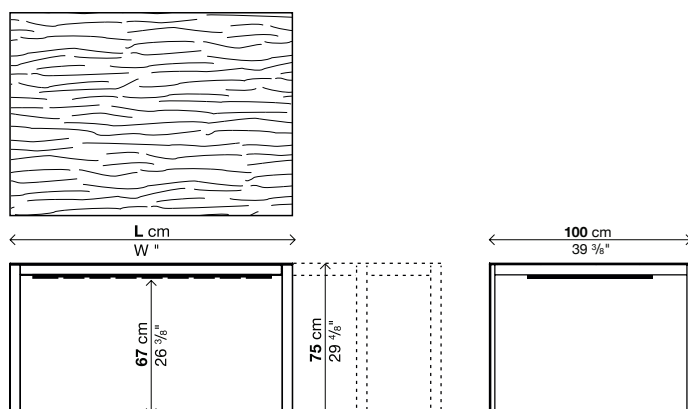
Aluminium grey lacquered aluminium (similar to RAL 7042)
 White lacquered aluminium (similar to RAL 9016)
 Sand grey lacquered aluminium (similar to RAL 9002)
 Anthracite grey lacquered aluminium (similar to RAL 7015)
 Black lacquered aluminium (similar to RAL 9004)
 Olive green lacquered aluminium (colour reference "Olive green polyurethane PO08")

Note:

Important: sizes and finishes marked with (!) require longer production lead time, about 6 weeks from the date of the order.

Reinforced packaging, see inside cover.

Code	Lenght	Legs	Top	pack	m ³	Kg
			Wood			
01THK43	200-240-280 (!)	Lacquered		1	0,5	91



THIN-K WOOD

Fixed - Depth 100 cm

Leg finish:

Aluminium grey lacquered steel (similar to RAL 7042)
 White lacquered steel (similar to RAL 9016)
 Sand grey lacquered steel (similar to RAL 9002)
 Anthracite grey lacquered steel (similar to RAL 7015)
 Black lacquered steel (similar to RAL 9004)
 Olive green lacquered steel (colour reference "Olive green polyurethane P008")

Note:

Important: sizes and finishes marked with (!) require longer production lead time, about 6 weeks from the date of the order.

Reinforced packaging, see inside cover.

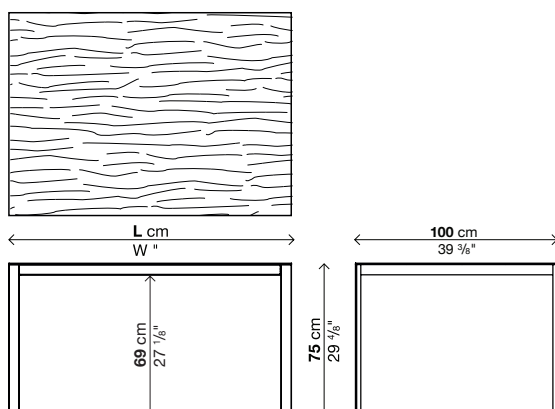
Top finish/external details on leg:

Wood, european oak effect
 Wood, walnut effect
 Wood, black oak effect

Code	Lenght	Legs	Top	pack	m ³	Kg
			Wood			
01THK43F	200 (!)	Lacquered		1	0,5	66
01THK44F	220 (!)	Lacquered		1	0,55	80
01THK45F	240 (!)	Lacquered		1	0,59	86
01THK46F	260 (!)	Lacquered		1	0,64	91
01THK47F	280 (!)	Lacquered		1	0,68	97
01THK48F	295 (!)	Lacquered		1	0,73	101

Optionals

Code	Description	pack	m ³	Kg
02RET11	Plastic cable mesh	1	0,07	1
02VER01	Vertebra, opal white methacrylate	1	0,01	1,5
02CPU09	CPU unit, opal white methacrylate	1	0,14	5,5
	Cable hole and management, see page 320	-	-	-



THIN-K WOOD

Fixed - Depth 120 cm

Leg finish:

Aluminium grey lacquered steel (similar to RAL 7042)
 White lacquered steel (similar to RAL 9016)
 Sand grey lacquered steel (similar to RAL 9002)
 Anthracite grey lacquered steel (similar to RAL 7015)
 Black lacquered steel (similar to RAL 9004)
 Olive green lacquered steel (colour reference "Olive green polyurethane P008")

Top finish/external details on leg:

Wood, european oak effect
 Wood, walnut effect
 Wood, black oak effect

Note:

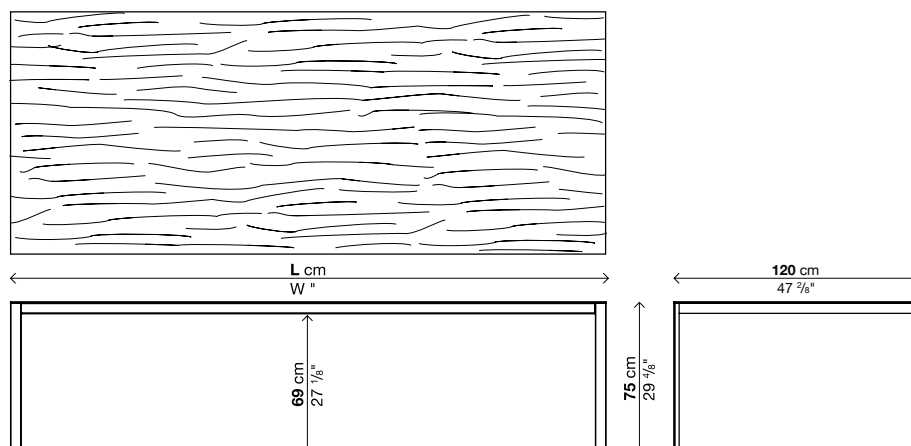
Important: sizes and finishes marked with (!) require longer production lead time, about 6 weeks from the date of the order.

Reinforced packaging, see inside cover.

Code	Lenght	Legs	Top	pack	m ³	Kg
			Wood			
01THK49F	240 (!)	Lacquered		1	0,69	110
01THK50F	260 (!)	Lacquered		1	0,75	118
01THK51F	280 (!)	Lacquered		1	0,8	125
01THK52F	295 (!)	Lacquered		1	0,86	131

Optionals

Code	Description	pack	m ³	Kg
02RET08	Plastic cable mesh	1	0,07	1
02VER01	Vertebra, opal white methacrylate	1	0,01	1,5
	Cable hole and management, see page 320	-	-	-



THIN-K GLASS

Extensible - Depth 80 cm

Leg finish:

Aluminium grey lacquered steel (similar to RAL 7042)

White lacquered steel (similar to RAL 9016)

Black lacquered steel (similar to RAL 9004)

Note:

Reinforced packaging, see inside cover.

Top finish/external details on leg:

Gloss glass in colours: extra white, anthracite grey, black, titanium

Matt glass in colours: extra white, anthracite grey, black, titanium

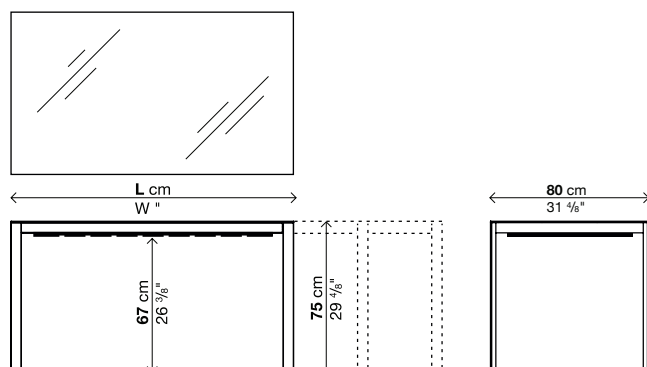
Finish of extensions:

Aluminium grey lacquered aluminium (similar to RAL 7042)

White lacquered aluminium (similar to RAL 9016)

Black lacquered aluminium (similar to RAL 9004)

Code	Lenght	Legs	Top		pack	m ²	Kg
			Gloss glass	Matt glass			
01THK11	123-163-203	Lacquered			1	0,27	54
01THK12	150-190-230	Lacquered			1	0,32	62



THIN-K GLASS

Fixed - Depth 80 cm

Leg finish:

Aluminium grey lacquered steel (similar to RAL 7042)

White lacquered steel (similar to RAL 9016)

Black lacquered steel (similar to RAL 9004)

Note:

Reinforced packaging, see inside cover.

Top finish/external details on leg:

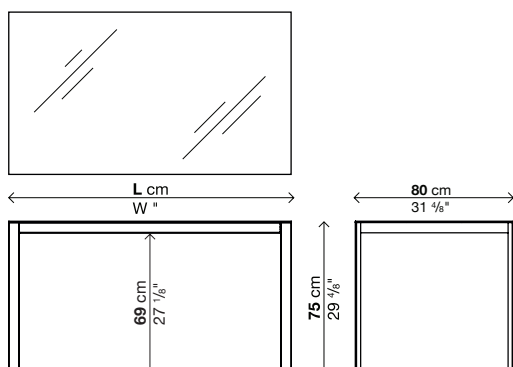
Gloss glass in colours: extra white, anthracite grey, black, titanium

Matt glass in colours: extra white, anthracite grey, black, titanium

Code	Lenght	Legs	Top		pack	m ²	Kg
			Gloss glass	Matt glass			
01THK11F	123	Lacquered			1	0,27	39
01THK12F	150	Lacquered			1	0,32	44

Optionals

Code	Description	pack	m ²	Kg
02RET09	Plastic cable mesh	1	0,07	1
02VER01	Vertebra, opal white methacrylate	1	0,01	1,5
02CPU07	CPU unit, opal white methacrylate	1	0,14	5,5
	Cable hole and management, see page 320	-	-	-



THIN-K GLASS

Extensible - Depth 90 cm

Leg finish:

Aluminium grey lacquered steel (similar to RAL 7042)

White lacquered steel (similar to RAL 9016)

Black lacquered steel (similar to RAL 9004)

Note:

Reinforced packaging, see inside cover.

Top finish/external details on leg:

Gloss glass in colours: extra white, anthracite grey, black, titanium

Matt glass in colours: extra white, anthracite grey, black, titanium

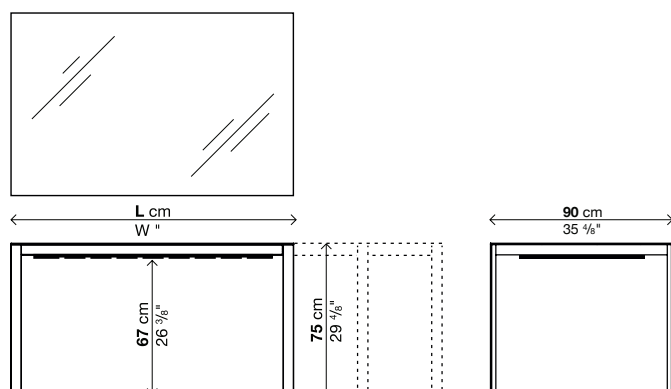
Finish of extensions:

Aluminium grey lacquered aluminium (similar to RAL 7042)

White lacquered aluminium (similar to RAL 9016)

Black lacquered aluminium (similar to RAL 9004)

Code	Lenght	Legs	Top		pack	m ²	Kg
			Gloss glass	Matt glass			
01THK15	150-190-231	Lacquered			1	0,36	66
01THK14	170-210-250	Lacquered			1	0,37	76



THIN-K GLASS

Fixed - Depth 90 cm

Leg finish:

Aluminium grey lacquered steel (similar to RAL 7042)

White lacquered steel (similar to RAL 9016)

Black lacquered steel (similar to RAL 9004)

Note:

Reinforced packaging, see inside cover.

Top finish/external details on leg:

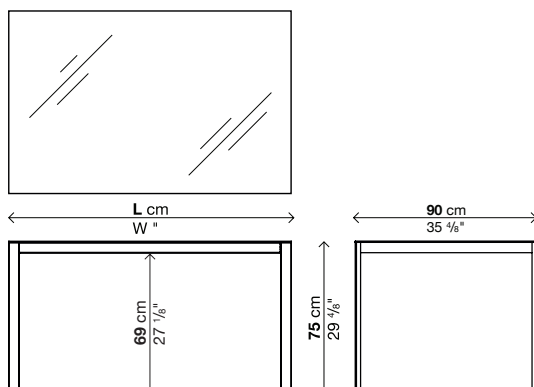
Gloss glass in colours: extra white, anthracite grey, black, titanium

Matt glass in colours: extra white, anthracite grey, black, titanium

Code	Lenght	Legs	Top		pack	m ³	Kg
			Gloss glass	Matt glass			
01THK15F	150	Lacquered			1	0,36	47
01THK14F	170	Lacquered			1	0,37	53

Optionals

Code	Description	pack	m ³	Kg
02RET10	Plastic cable mesh	1	0,07	1
02VER01	Vertebra, opal white methacrylate	1	0,01	1,5
02CPU08	CPU unit, opal white methacrylate	1	0,14	5,5
	Cable hole and management, see page 320	-	-	-



THIN-K

Cable hole and management

Finish:

Anodised aluminium

White lacquered aluminium

Black lacquered aluminium

Note:

Only tables in a fixed version with aluminium or wood tops can be equipped with cable cutouts (cable cutouts are not available for glass tops).

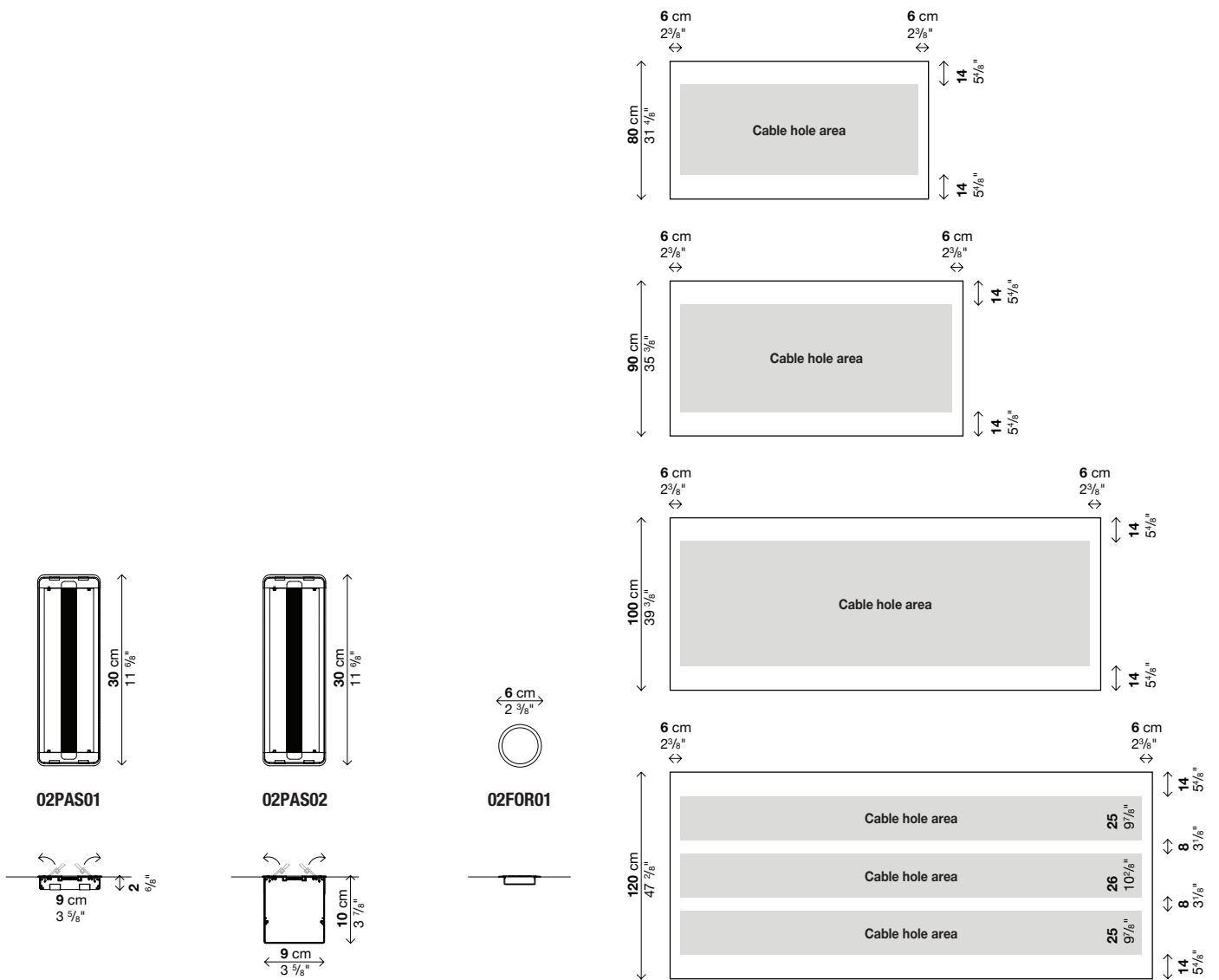
The price includes the cutout in the top.

Supply a technical drawing with the required position for the cable hole, making sure that it is positioned in the area shown below.

Each table can have more than one cable hole.

The cable hole can be positioned parallel or perpendicular to the long side (except for tables D.120 cm, which require the parallel position).

Code	Description	Finish		pack	m ³	Kg
		Anodised aluminium	Lacquered			
02PAS01	Rectangular cable duct 30 x 9 cm			-	-	0,5
02PAS02	Rectangular cable hole (30 x 9 cm) in lacquered or anodised aluminium with under-top tray			-	-	0,8
02FOR01	Cable cutout Ø6 cm	-		-	-	-



THIN-K

Legenda dimensioni

Prof. 80 cm
Depth 31 4/8"

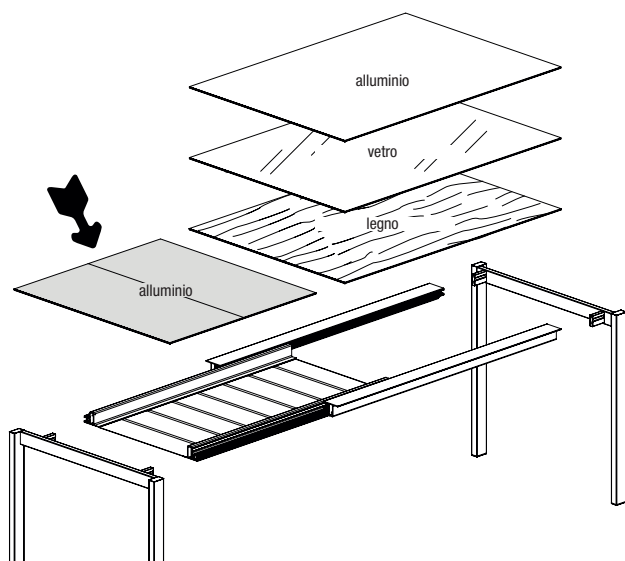
80	80 cm 31 4/8"	→ Alluminio
	123 cm 48 3/8"	→ Alluminio → Vetro → Legno
	123/163/203 cm 48 3/8/64 1/8/79"	→ Alluminio → Vetro → Legno
	150 cm 59"	→ Alluminio → Vetro → Legno
	150/190/230 cm 59/74 7/8/90 1/2"	→ Alluminio → Vetro → Legno

Prof. 90 cm
Depth 35 3/8"

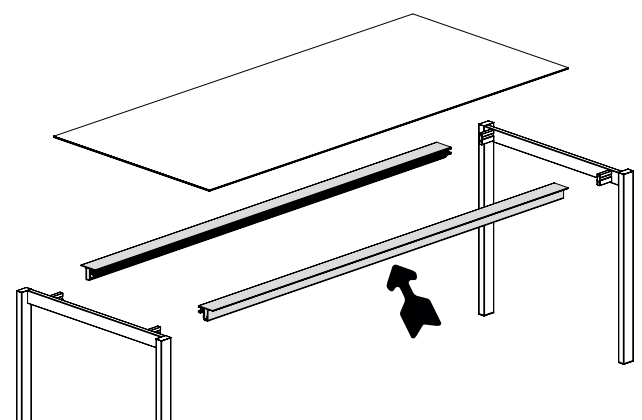
90	150 cm 59"	→ Alluminio → Vetro
	150/190/230 cm 59/74 7/8/90 1/2"	→ Alluminio → Vetro
	170 cm 66 7/8"	→ Alluminio → Vetro → Legno
	170/210/250 cm 66 7/8/82 3/4/98 3/8"	→ Alluminio → Vetro → Legno

Prof. 100 cm
Depth 39 3/8"

100	200 cm 78 3/4"	→ Alluminio → Legno
	200/240/280 cm 78 3/4/94 1/2/110 2/8"	→ Alluminio → Legno
	220 cm 86 5/8"	→ Alluminio → Legno
	240 cm 94 4/8"	→ Alluminio → Legno
	260 cm 102 3/8"	→ Alluminio → Legno
	280 cm 110 2/8"	→ Alluminio → Legno
	295 cm 116 1/8"	→ Alluminio → Legno



Nei tavoli Thin-K in versione allungabile le prolunghe sono sempre in alluminio verniciato a polveri (anche nelle versioni con piano in vetro o legno).

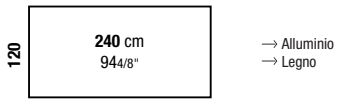


Nei tavoli Thin-K fino a 200 cm di lunghezza con piano in alluminio, legno o vetro, le trafilte sottopiano sono in alluminio anodizzato.

Nei tavoli Thin-K oltre i 200 cm di lunghezza con piano in alluminio, le trafilte sottopiano sono verniciate dello stesso colore del piano.

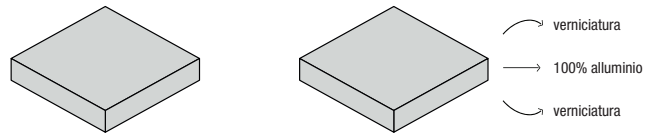
Nei tavoli Thin-K oltre i 200 cm di lunghezza con piano in "Rovere europeo" e "Noce", le trafilte sottopiano sono in alluminio anodizzato.
Nel caso di piano in "Rovere tinto nero" le trafilte sottopiano sono verniciate di colore nero.

Prof. 120 cm
Depth 47²/₈"

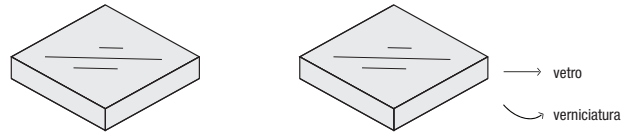


Piani Sp. 6 mm

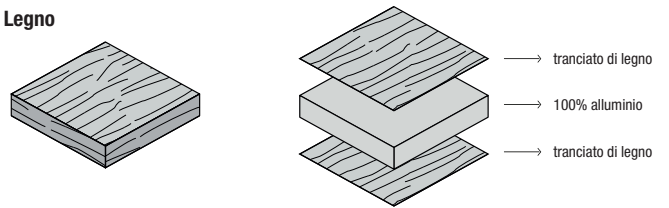
Alluminio



Vetro



Legno



THIN-K ALLUMINIO

Allungabile - Profondità 80 cm

Finitura gambe:

Acciaio verniciato grigio alluminio (simile al RAL 7042)
Acciaio verniciato bianco (simile al RAL 9016)
Acciaio verniciato grigio sabbia (simile al RAL 9002)
Acciaio verniciato grigio antracite (simile al RAL 7015)
Acciaio verniciato nero (simile al RAL 9004)
Acciaio verniciato verde oliva (rif. colore "Poliuretano verde oliva P008")

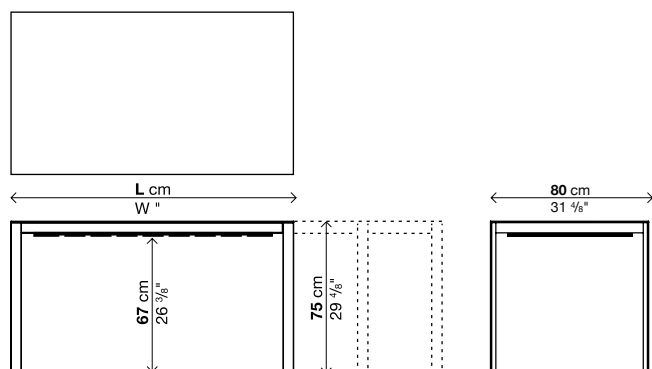
Note:

Imballi rinforzati vedi interno di copertina.

Finitura piano/gambe particolari esterni/prolunghe:

Alluminio verniciato grigio alluminio (simile al RAL 7042)
Alluminio verniciato bianco (simile al RAL 9016)
Alluminio verniciato grigio sabbia (simile al RAL 9002)
Alluminio verniciato grigio antracite (simile al RAL 7015)
Alluminio verniciato nero (simile al RAL 9004)
Alluminio verniciato verde oliva (rif. colore "Poliuretano verde oliva P008")

Codice	Lunghezza	Gambe	Piano	colli	m ³	Kg
			Alluminio verniciato			
01THK01	123-163-203	Verniciato		1	0,27	54
01THK02	150-190-230	Verniciato		1	0,32	62



THIN-K ALLUMINIO

Fisso - Profondità 80 cm

Finitura gambe:

Acciaio verniciato grigio alluminio (simile al RAL 7042)
Acciaio verniciato bianco (simile al RAL 9016)
Acciaio verniciato grigio sabbia (simile al RAL 9002)
Acciaio verniciato grigio antracite (simile al RAL 7015)
Acciaio verniciato nero (simile al RAL 9004)
Acciaio verniciato verde oliva (rif. colore "Poliuretano verde oliva P008")

Note:

Imballi rinforzati vedi interno di copertina.

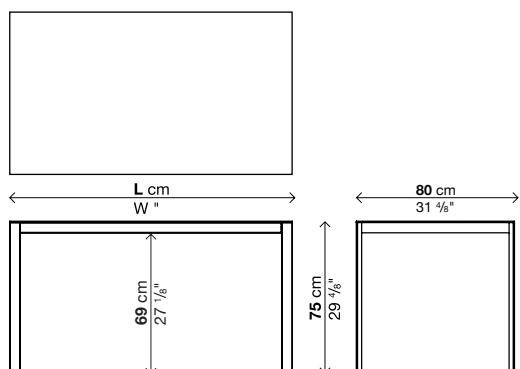
Finitura piano/gambe particolari esterni:

Alluminio verniciato grigio alluminio (simile al RAL 7042)
Alluminio verniciato bianco (simile al RAL 9016)
Alluminio verniciato grigio sabbia (simile al RAL 9002)
Alluminio verniciato grigio antracite (simile al RAL 7015)
Alluminio verniciato nero (simile al RAL 9004)
Alluminio verniciato verde oliva (rif. colore "Poliuretano verde oliva P008")

Codice	Lunghezza	Gambe	Piano	colli	m ³	Kg
			Alluminio verniciato			
01THK03F	80	Verniciato		1	0,18	29
01THK01F	123	Verniciato		1	0,27	39
01THK02F	150	Verniciato		1	0,32	44

Optionals

Codice	Descrizione	colli	m ³	Kg
02RET09	Rete cablaggio in materiale plastico	1	0,07	1
02VER01	Vertebra in metacrilato opalino	1	0,01	1,5
02CPU07	Porta CPU in metacrilato opalino	1	0,14	5,5
	Passacavi vedi pag. 320	-	-	-



THIN-K ALLUMINIO

Allungabile - Profondità 90 cm

Finitura gambe:

Acciaio verniciato grigio alluminio (simile al RAL 7042)
Acciaio verniciato bianco (simile al RAL 9016)
Acciaio verniciato grigio sabbia (simile al RAL 9002)
Acciaio verniciato grigio antracite (simile al RAL 7015)
Acciaio verniciato nero (simile al RAL 9004)
Acciaio verniciato verde oliva (rif. colore "Poliuretano verde oliva P008")

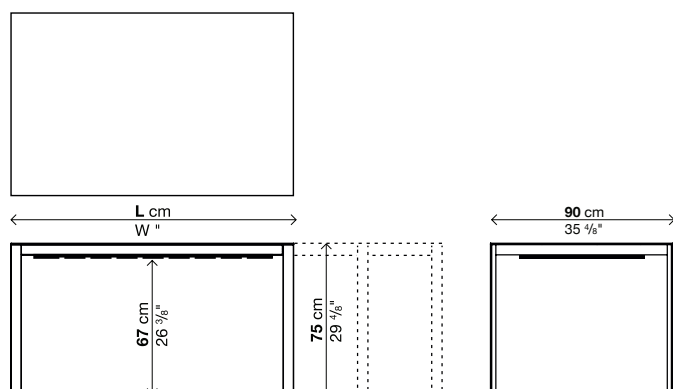
Note:

Imballi rinforzati vedi interno di copertina.

Finitura piano/gambe particolari esterni/prolunghe:

Alluminio verniciato grigio alluminio (simile al RAL 7042)
Alluminio verniciato bianco (simile al RAL 9016)
Alluminio verniciato grigio sabbia (simile al RAL 9002)
Alluminio verniciato grigio antracite (simile al RAL 7015)
Alluminio verniciato nero (simile al RAL 9004)
Alluminio verniciato verde oliva (rif. colore "Poliuretano verde oliva P008")

Codice	Lunghezza	Gambe	Piano	colli	m ³	Kg
			Alluminio verniciato			
01THK10	150-190-230	Verniciato		1	0,36	65
01THK04	170-210-250	Verniciato		1	0,37	76



THIN-K ALLUMINIO

Fisso - Profondità 90 cm

Finitura gambe:

Acciaio verniciato grigio alluminio (simile al RAL 7042)
Acciaio verniciato bianco (simile al RAL 9016)
Acciaio verniciato grigio sabbia (simile al RAL 9002)
Acciaio verniciato grigio antracite (simile al RAL 7015)
Acciaio verniciato nero (simile al RAL 9004)
Acciaio verniciato verde oliva (rif. colore "Poliuretano verde oliva P008")

Note:

Imballi rinforzati vedi interno di copertina.

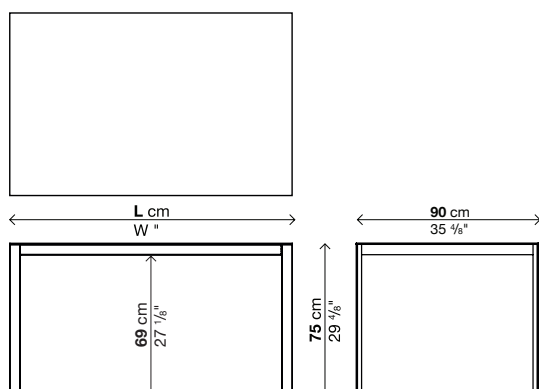
Finitura piano/gambe particolari esterni:

Alluminio verniciato grigio alluminio (simile al RAL 7042)
Alluminio verniciato bianco (simile al RAL 9016)
Alluminio verniciato grigio sabbia (simile al RAL 9002)
Alluminio verniciato grigio antracite (simile al RAL 7015)
Alluminio verniciato nero (simile al RAL 9004)
Alluminio verniciato verde oliva (rif. colore "Poliuretano verde oliva P008")

Codice	Lunghezza	Gambe	Piano	colli	m ³	Kg
			Alluminio verniciato			
01THK10F	150	Verniciato		1	0,36	47
01THK04F	170	Verniciato		1	0,37	53

Optionals

Codice	Descrizione	colli	m ³	Kg
02RET10	Rete cablaggio in materiale plastico	1	0,07	1
02VER01	Vertebra in metacrilato opalino	1	0,01	1,5
02CPU08	Porta CPU in metacrilato opalino	1	0,14	5,5
	Passacavi vedi pag. 320	-	-	-



THIN-K ALLUMINIO

Allungabile - Profondità 100 cm

Finitura gambe:

Acciaio verniciato grigio alluminio (simile al RAL 7042)
Acciaio verniciato bianco (simile al RAL 9016)
Acciaio verniciato grigio sabbia (simile al RAL 9002)
Acciaio verniciato grigio antracite (simile al RAL 7015)
Acciaio verniciato nero (simile al RAL 9004)
Acciaio verniciato verde oliva (rif. colore "Poliuretano verde oliva P008")

Finitura piano/gambe particolari esterni/prolunghe:

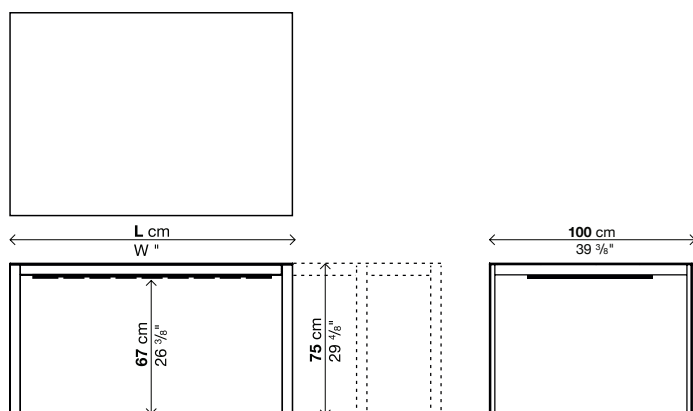
Alluminio verniciato grigio alluminio (simile al RAL 7042)
Alluminio verniciato bianco (simile al RAL 9016)
Alluminio verniciato grigio sabbia (simile al RAL 9002)
Alluminio verniciato grigio antracite (simile al RAL 7015)
Alluminio verniciato nero (simile al RAL 9004)
Alluminio verniciato verde oliva (rif. colore "Poliuretano verde oliva P008")

Note:

Attenzione: le misure o le finiture contrassegnate con (!) hanno tempi di produzione più lunghi, circa 6 settimane dalla data dell'ordine.

Imballi rinforzati vedi interno di copertina.

Codice	Lunghezza	Gambe	Piano	colli m ³ Kg		
			Alluminio verniciato			
01THK05	200-240-280 (!)	Verniciato		1	0,5	91



THIN-K ALLUMINIO

Fisso - Profondità 100 cm

Finitura gambe:

Acciaio verniciato grigio alluminio (simile al RAL 7042)
Acciaio verniciato bianco (simile al RAL 9016)
Acciaio verniciato grigio sabbia (simile al RAL 9002)
Acciaio verniciato grigio antracite (simile al RAL 7015)
Acciaio verniciato nero (simile al RAL 9004)
Acciaio verniciato verde oliva (rif. colore "Poliuretano verde oliva P008")

Finitura piano/gambe particolari esterni:

Alluminio verniciato grigio alluminio (simile al RAL 7042)
Alluminio verniciato bianco (simile al RAL 9016)
Alluminio verniciato grigio sabbia (simile al RAL 9002)
Alluminio verniciato grigio antracite (simile al RAL 7015)
Alluminio verniciato nero (simile al RAL 9004)
Alluminio verniciato verde oliva (rif. colore "Poliuretano verde oliva P008")

Note:

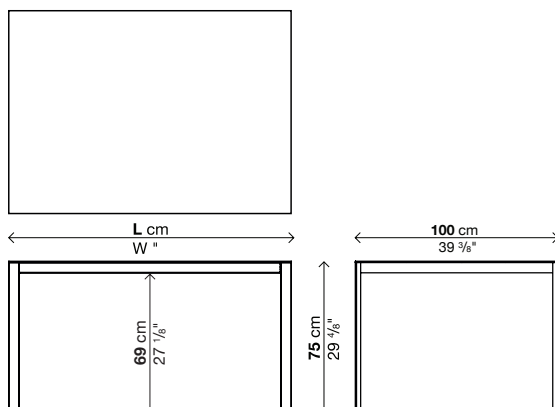
Attenzione: le misure o le finiture contrassegnate con (!) hanno tempi di produzione più lunghi, circa 6 settimane dalla data dell'ordine.

Imballi rinforzati vedi interno di copertina.

Codice	Lunghezza	Gambe	Piano	colli	m ³	Kg
			Alluminio verniciato			
01THK05F	200 (!)	Verniciato		1	0,5	66
01THK08F	220 (!)	Verniciato		1	0,55	80
01THK09F	240 (!)	Verniciato		1	0,59	86
01THK30F	260 (!)	Verniciato		1	0,64	91
01THK31F	280 (!)	Verniciato		1	0,68	97
01THK07F	295 (!)	Verniciato		1	0,73	101

Optionals

Codice	Descrizione	colli	m ³	Kg
02RET11	Rete cablaggio in materiale plastico	1	0,07	1
02VER01	Vertebra in metacrilato opalino	1	0,01	1,5
02CPU09	Porta CPU in metacrilato opalino	1	0,14	5,5
	Passacavi vedi pag. 320	-	-	-



THIN-K ALLUMINIO

Fisso - Profondità 120 cm

Finitura gambe:

Acciaio verniciato grigio alluminio (simile al RAL 7042)
Acciaio verniciato bianco (simile al RAL 9016)
Acciaio verniciato grigio sabbia (simile al RAL 9002)
Acciaio verniciato grigio antracite (simile al RAL 7015)
Acciaio verniciato nero (simile al RAL 9004)
Acciaio verniciato verde oliva (rif. colore "Poliuretano verde oliva P008")

Finitura piano/gambe particolari esterni:

Alluminio verniciato grigio alluminio (simile al RAL 7042)
Alluminio verniciato bianco (simile al RAL 9016)
Alluminio verniciato grigio sabbia (simile al RAL 9002)
Alluminio verniciato grigio antracite (simile al RAL 7015)
Alluminio verniciato nero (simile al RAL 9004)
Alluminio verniciato verde oliva (rif. colore "Poliuretano verde oliva P008")

Note:

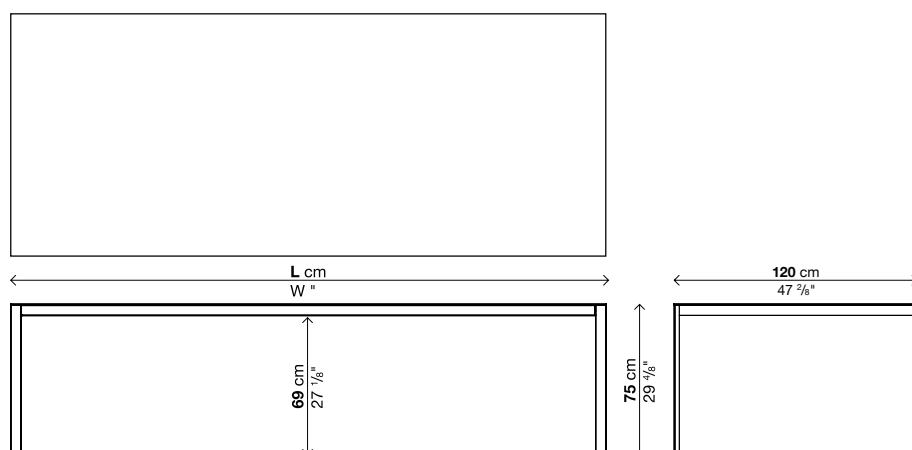
Attenzione: le misure o le finiture contrassegnate con (!) hanno tempi di produzione più lunghi, circa 6 settimane dalla data dell'ordine.

Imballi rinforzati vedi interno di copertina.

Codice	Lunghezza	Gambe	Piano	colli	m ³	Kg
			Alluminio verniciato			
01THK32F	240 (!)	Verniciato		1	0,69	110
01THK33F	260 (!)	Verniciato		1	0,75	118
01THK34F	280 (!)	Verniciato		1	0,8	125
01THK35F	295 (!)	Verniciato		1	0,86	131

Optionals

Codice	Descrizione	colli	m ³	Kg
02RET08	Rete cablaggio in materiale plastico	1	0,07	1
02VER01	Vertebra in metacrilato opalino	1	0,01	1,5
	Passacavi vedi pag. 320	-	-	-



THIN-K LEGNO

Allungabile - Profondità 80 cm

Finitura gambe:

Acciaio verniciato grigio alluminio (simile al RAL 7042)
Acciaio verniciato bianco (simile al RAL 9016)
Acciaio verniciato grigio sabbia (simile al RAL 9002)
Acciaio verniciato grigio antracite (simile al RAL 7015)
Acciaio verniciato nero (simile al RAL 9004)
Acciaio verniciato verde oliva (rif. colore "Poliuretano verde oliva P008")

Finitura piano/gambe particolari esterni:

Legno effetto rovere europeo
Legno effetto noce
Legno effetto rovere tinto nero

Finitura prolunghe:

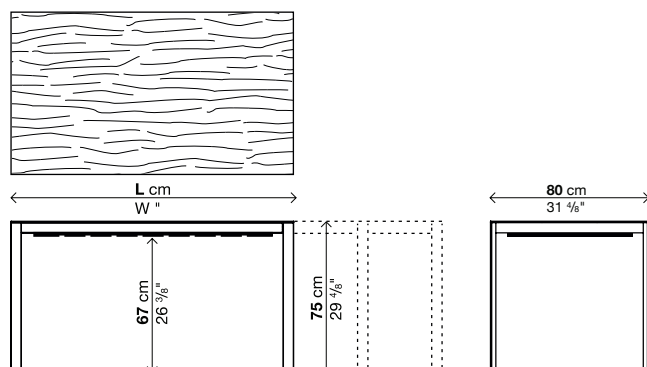
Alluminio verniciato grigio alluminio (simile al RAL 7042)
Alluminio verniciato bianco (simile al RAL 9016)
Alluminio verniciato grigio sabbia (simile al RAL 9002)
Alluminio verniciato grigio antracite (simile al RAL 7015)
Alluminio verniciato nero (simile al RAL 9004)
Alluminio verniciato verde oliva (rif. colore "Poliuretano verde oliva P008")

Note:

Attenzione: le misure o le finiture contrassegnate con (!) hanno tempi di produzione più lunghi, circa 6 settimane dalla data dell'ordine.

Imballi rinforzati vedi interno di copertina.

Codice	Lunghezza	Gambe	Piano	colli	m ³	Kg
			Legno			
01THK40	123-163-203 (!)	Verniciato		1	0,27	54
01THK41	150-190-230 (!)	Verniciato		1	0,32	62



THIN-K LEGNO

Fisso - Profondità 80 cm

Finitura gambe:

Acciaio verniciato grigio alluminio (simile al RAL 7042)
Acciaio verniciato bianco (simile al RAL 9016)
Acciaio verniciato grigio sabbia (simile al RAL 9002)
Acciaio verniciato grigio antracite (simile al RAL 7015)
Acciaio verniciato nero (simile al RAL 9004)
Acciaio verniciato verde oliva (rif. colore "Poliuretano verde oliva P008")

Finitura piano/gambe particolari esterni:

Legno effetto rovere europeo
Legno effetto noce
Legno effetto rovere tinto nero

Note:

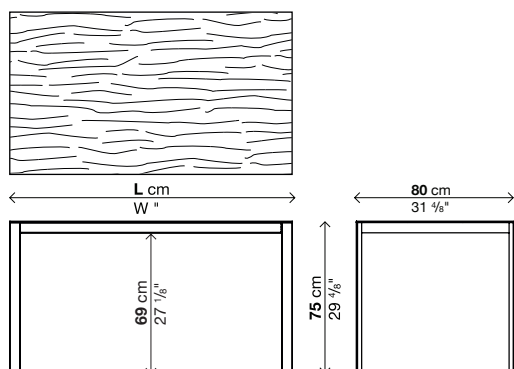
Attenzione: le misure o le finiture contrassegnate con (!) hanno tempi di produzione più lunghi, circa 6 settimane dalla data dell'ordine.

Imballi rinforzati vedi interno di copertina.

Codice	Lunghezza	Gambe	Piano		colli	m ³	Kg
				Legno			
01THK40F	123 (!)	Verniciato			1	0,27	39
01THK41F	150 (!)	Verniciato			1	0,32	44

Optionals

Codice	Descrizione	colli	m ³	Kg
02RET09	Rete cablaggio in materiale plastico	1	0,07	1
02VER01	Vertebra in metacrilato opalino	1	0,01	1,5
02CPU07	Porta CPU in metacrilato opalino	1	0,14	5,5
	Passacavi vedi pag. 320	-	-	-



THIN-K LEGNO

Allungabile - Profondità 90 cm

Finitura gambe:

Acciaio verniciato grigio alluminio (simile al RAL 7042)
Acciaio verniciato bianco (simile al RAL 9016)
Acciaio verniciato grigio sabbia (simile al RAL 9002)
Acciaio verniciato grigio antracite (simile al RAL 7015)
Acciaio verniciato nero (simile al RAL 9004)
Acciaio verniciato verde oliva (rif. colore "Poliuretano verde oliva P008")

Finitura piano/gambe particolari esterni:

Legno effetto rovere europeo
Legno effetto noce
Legno effetto rovere tinto nero

Finitura prolunghe:

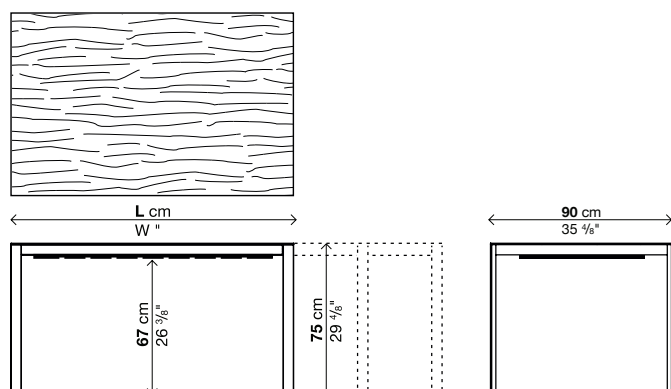
Alluminio verniciato grigio alluminio (simile al RAL 7042)
Alluminio verniciato bianco (simile al RAL 9016)
Alluminio verniciato grigio sabbia (simile al RAL 9002)
Alluminio verniciato grigio antracite (simile al RAL 7015)
Alluminio verniciato nero (simile al RAL 9004)
Alluminio verniciato verde oliva (rif. colore "Poliuretano verde oliva P008")

Note:

Attenzione: le misure o le finiture contrassegnate con (!) hanno tempi di produzione più lunghi, circa 6 settimane dalla data dell'ordine.

Imballi rinforzati vedi interno di copertina.

Codice	Lunghezza	Gambe	Piano		colli	m ³	Kg
				Legno			
01THK42	170-210-250 (!)	Verniciato			1	0,37	76



THIN-K LEGNO

Fisso - Profondità 90 cm

Finitura gambe:

Acciaio verniciato grigio alluminio (simile al RAL 7042)
Acciaio verniciato bianco (simile al RAL 9016)
Acciaio verniciato grigio sabbia (simile al RAL 9002)
Acciaio verniciato grigio antracite (simile al RAL 7015)
Acciaio verniciato nero (simile al RAL 9004)
Acciaio verniciato verde oliva (rif. colore "Poliuretano verde oliva P008")

Finitura piano/gambe particolari esterni:

Legno effetto rovere europeo
Legno effetto noce
Legno effetto rovere tinto nero

Note:

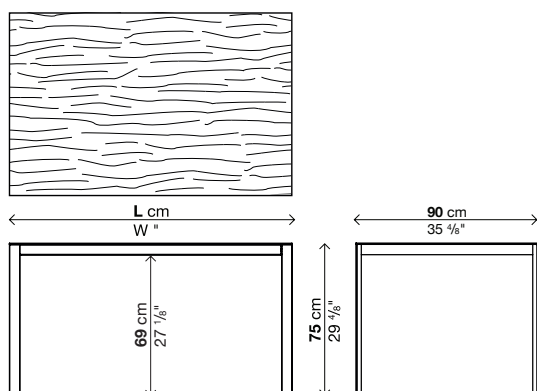
Attenzione: le misure o le finiture contrassegnate con (!) hanno tempi di produzione più lunghi, circa 6 settimane dalla data dell'ordine.

Imballi rinforzati vedi interno di copertina.

Codice	Lunghezza	Gambe	Piano		colli	m ³	Kg
				Legno			
01THK42F	170 (!)	Verniciato			1	0,37	53

Optionals

Codice	Descrizione	colli	m ³	Kg
02RET10	Rete cablaggio in materiale plastico	1	0,07	1
02VERO1	Vertebra in metacrilato opalino	1	0,01	1,5
02CPU08	Porta CPU in metacrilato opalino	1	0,14	5,5
	Passacavi vedi pag. 320	-	-	-



THIN-K LEGNO

Allungabile - Profondità 100 cm

Finitura gambe:

Acciaio verniciato grigio alluminio (simile al RAL 7042)
Acciaio verniciato bianco (simile al RAL 9016)
Acciaio verniciato grigio sabbia (simile al RAL 9002)
Acciaio verniciato grigio antracite (simile al RAL 7015)
Acciaio verniciato nero (simile al RAL 9004)
Acciaio verniciato verde oliva (rif. colore "Poliuretano verde oliva P008")

Finitura piano/gambe particolari esterni:

Legno effetto rovere europeo
Legno effetto noce
Legno effetto rovere tinto nero

Finitura prolunghe:

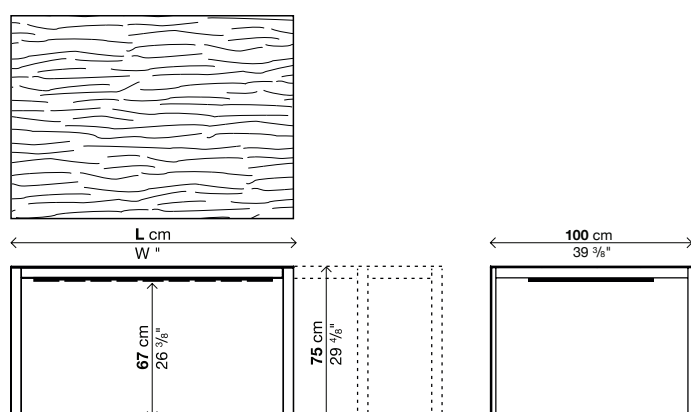
Alluminio verniciato grigio alluminio (simile al RAL 7042)
Alluminio verniciato bianco (simile al RAL 9016)
Alluminio verniciato grigio sabbia (simile al RAL 9002)
Alluminio verniciato grigio antracite (simile al RAL 7015)
Alluminio verniciato nero (simile al RAL 9004)
Alluminio verniciato verde oliva (rif. colore "Poliuretano verde oliva P008")

Note:

Attenzione: le misure o le finiture contrassegnate con (!) hanno tempi di produzione più lunghi, circa 6 settimane dalla data dell'ordine.

Imballi rinforzati vedi interno di copertina.

Codice	Lunghezza	Gambe	Piano	colli	m ³	Kg
			Legno			
01THK43	200-240-280 (!)	Verniciato		1	0,5	91



THIN-K LEGNO

Fisso - Profondità 100 cm

Finitura gambe:

Acciaio verniciato grigio alluminio (simile al RAL 7042)
Acciaio verniciato bianco (simile al RAL 9016)
Acciaio verniciato grigio sabbia (simile al RAL 9002)
Acciaio verniciato grigio antracite (simile al RAL 7015)
Acciaio verniciato nero (simile al RAL 9004)
Acciaio verniciato verde oliva (rif. colore "Poliuretano verde oliva P008")

Finitura piano/gambe particolari esterni:

Legno effetto rovere europeo
Legno effetto noce
Legno effetto rovere tinto nero

Note:

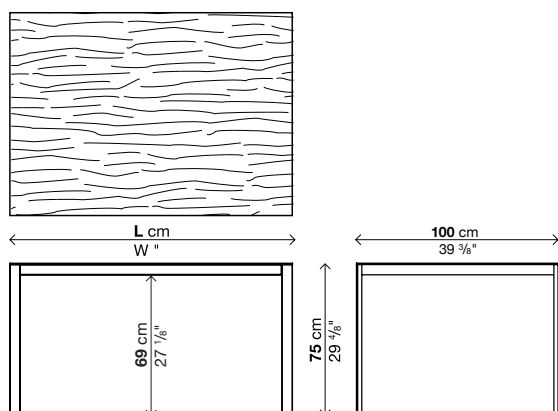
Attenzione: le misure o le finiture contrassegnate con (!) hanno tempi di produzione più lunghi, circa 6 settimane dalla data dell'ordine.

Imballi rinforzati vedi interno di copertina.

Codice	Lunghezza	Gambe	Piano		colli	m ³	Kg
				Legno			
01THK43F	200 (!)	Verniciato			1	0,5	66
01THK44F	220 (!)	Verniciato			1	0,55	80
01THK45F	240 (!)	Verniciato			1	0,59	86
01THK46F	260 (!)	Verniciato			1	0,64	91
01THK47F	280 (!)	Verniciato			1	0,68	97
01THK48F	295 (!)	Verniciato			1	0,73	101

Optionals

Codice	Descrizione	colli	m ³	Kg
02RET11	Rete cablaggio in materiale plastico	1	0,07	1
02VER01	Vertebra in metacrilato opalino	1	0,01	1,5
02CPU09	Porta CPU in metacrilato opalino	1	0,14	5,5
	Passacavi vedi pag. 320	-	-	-



THIN-K LEGNO

Fisso - Profondità 120 cm

Finitura gambe:

Acciaio verniciato grigio alluminio (simile al RAL 7042)
Acciaio verniciato bianco (simile al RAL 9016)
Acciaio verniciato grigio sabbia (simile al RAL 9002)
Acciaio verniciato grigio antracite (simile al RAL 7015)
Acciaio verniciato nero (simile al RAL 9004)
Acciaio verniciato verde oliva (rif. colore "Poliuretano verde oliva P008")

Finitura piano/gambe particolari esterni:

Legno effetto rovere europeo
Legno effetto noce
Legno effetto rovere tinto nero

Note:

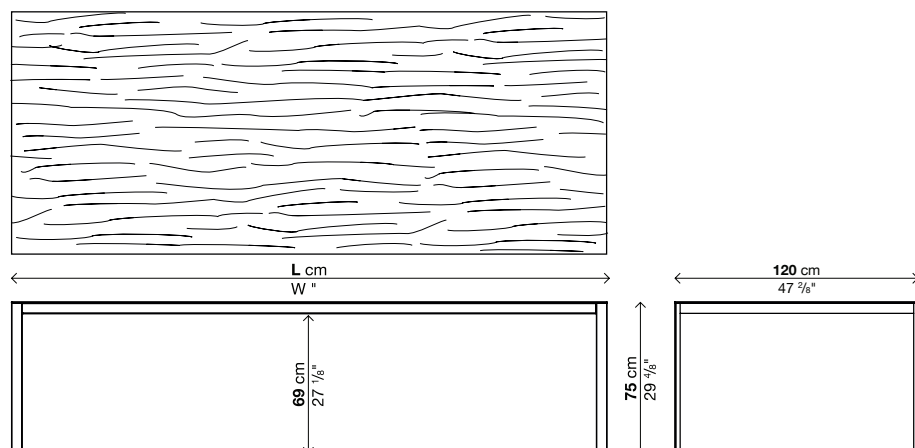
Attenzione: le misure o le finiture contrassegnate con (!) hanno tempi di produzione più lunghi, circa 6 settimane dalla data dell'ordine.

Imballi rinforzati vedi interno di copertina.

Codice	Lunghezza	Gambe	Piano	colli	m ³	Kg
			Legno			
01THK49F	240 (!)	Verniciato		1	0,69	110
01THK50F	260 (!)	Verniciato		1	0,75	118
01THK51F	280 (!)	Verniciato		1	0,8	125
01THK52F	295 (!)	Verniciato		1	0,86	131

Optionals

Codice	Descrizione	colli	m ³	Kg
02RET08	Rete cablaggio in materiale plastico	1	0,07	1
02VER01	Vertebra in metacrilato opalino	1	0,01	1,5
	Passacavi vedi pag. 320	-	-	-



THIN-K VETRO

Allungabile - Profondità 80 cm

Finitura gambe:

Acciaio verniciato grigio alluminio (simile al RAL 7042)

Acciaio verniciato bianco (simile al RAL 9016)

Acciaio verniciato nero (simile al RAL 9004)

Note:

Imballi rinforzati vedi interno di copertina.

Finitura piano/gambe particolari esterni:

Vetro lucido colori: extra white, grigio antracite, nero, titanio

Vetro opaco colori: extra white, grigio antracite, nero, titanio

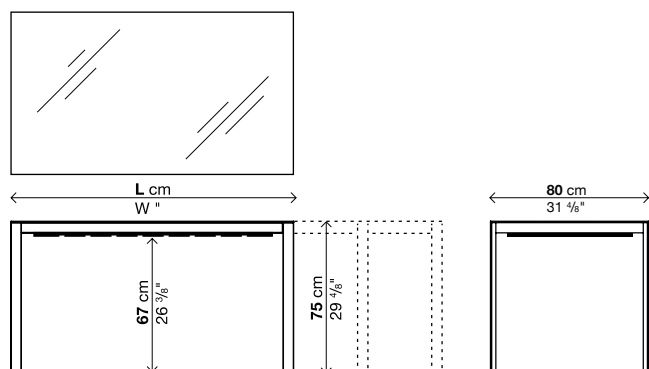
Finitura prolunghe:

Alluminio verniciato grigio alluminio (simile al RAL 7042)

Alluminio verniciato bianco (simile al RAL 9016)

Alluminio verniciato nero (simile al RAL 9004)

Codice	Lunghezza	Gambe	Piano		colli	m ²	Kg
			Vetro lucido	Vetro opaco			
01THK11	123-163-203	Verniciato			1	0,27	54
01THK12	150-190-230	Verniciato			1	0,32	62



THIN-K VETRO

Fisso - Profondità 80 cm

Finitura gambe:

Acciaio verniciato grigio alluminio (simile al RAL 7042)

Acciaio verniciato bianco (simile al RAL 9016)

Acciaio verniciato nero (simile al RAL 9004)

Note:

Imballi rinforzati vedi interno di copertina.

Finitura piano/gambe particolari esterni:

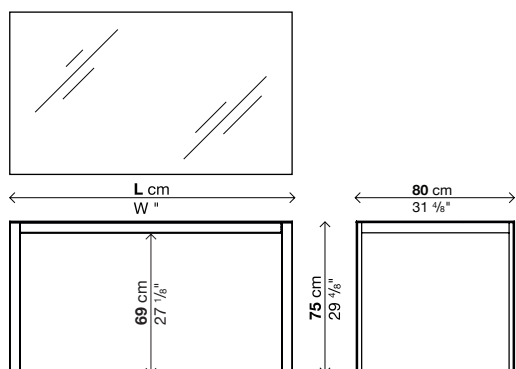
Vetro lucido colori: extra white, grigio antracite, nero, titanio

Vetro opaco colori: extra white, grigio antracite, nero, titanio

Codice	Lunghezza	Gambe	Piano		colli	m ²	Kg
			Vetro lucido	Vetro opaco			
01THK11F	123	Verniciato			1	0,27	39
01THK12F	150	Verniciato			1	0,32	44

Optionals

Codice	Descrizione	colli	m ²	Kg
02RET09	Rete cablaggio in materiale plastico	1	0,07	1
02VER01	Vertebra in metacrilato opalino	1	0,01	1,5
02CPU07	Porta CPU in metacrilato opalino	1	0,14	5,5
	Passacavi vedi pag. 320	-	-	-



THIN-K VETRO

Allungabile - Profondità 90 cm

Finitura gambe:

Acciaio verniciato grigio alluminio (simile al RAL 7042)

Acciaio verniciato bianco (simile al RAL 9016)

Acciaio verniciato nero (simile al RAL 9004)

Note:

Imballi rinforzati vedi interno di copertina.

Finitura piano/gambe particolari esterni:

Vetro lucido colori: extra white, grigio antracite, nero, titanio

Vetro opaco colori: extra white, grigio antracite, nero, titanio

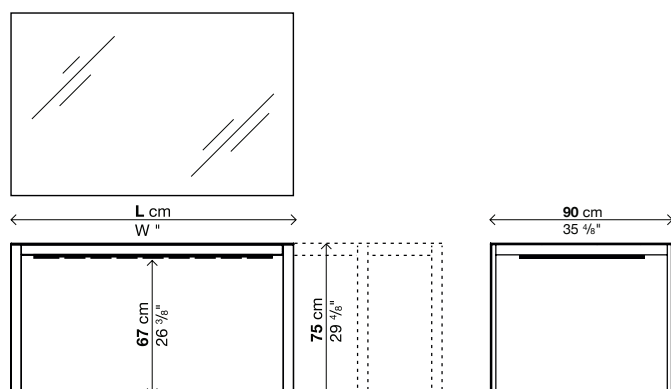
Finitura prolunghe:

Alluminio verniciato grigio alluminio (simile al RAL 7042)

Alluminio verniciato bianco (simile al RAL 9016)

Alluminio verniciato nero (simile al RAL 9004)

Codice	Lunghezza	Gambe	Piano		colli	m ²	Kg
			Vetro lucido	Vetro opaco			
01THK15	150-190-231	Verniciato			1	0,36	66
01THK14	170-210-250	Verniciato			1	0,37	76



THIN-K VETRO

Fisso - Profondità 90 cm

Finitura gambe:

Acciaio verniciato grigio alluminio (simile al RAL 7042)

Acciaio verniciato bianco (simile al RAL 9016)

Acciaio verniciato nero (simile al RAL 9004)

Note:

Imballi rinforzati vedi interno di copertina.

Finitura piano/gambe particolari esterni:

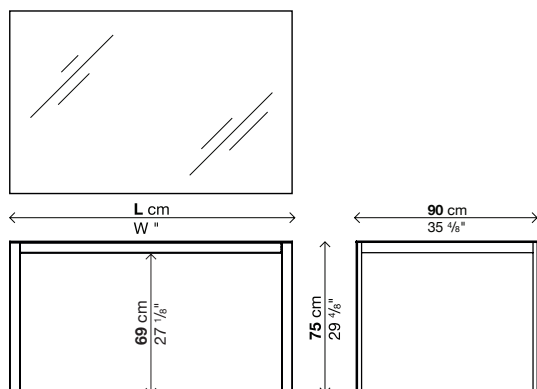
Vetro lucido colori: extra white, grigio antracite, nero, titanio

Vetro opaco colori: extra white, grigio antracite, nero, titanio

Codice	Lunghezza	Gambe	Piano		colli	m ³	Kg
			Vetro lucido	Vetro opaco			
01THK15F	150	Verniciato			1	0,36	47
01THK14F	170	Verniciato			1	0,37	53

Optionals

Codice	Descrizione	colli	m ³	Kg
02RET10	Rete cablaggio in materiale plastico	1	0,07	1
02VER01	Vertebra in metacrilato opalino	1	0,01	1,5
02CPU08	Porta CPU in metacrilato opalino	1	0,14	5,5
	Passacavi vedi pag. 320	-	-	-



THIN-K

Passacavi

Finitura:

Alluminio anodizzato
Alluminio verniciato bianco
Alluminio verniciato nero

Note:

Solo i tavoli in versione fissa e con piani in alluminio o legno possono essere attrezzati con il passacavi (nei piani in vetro non è previsto nessun passacavi).

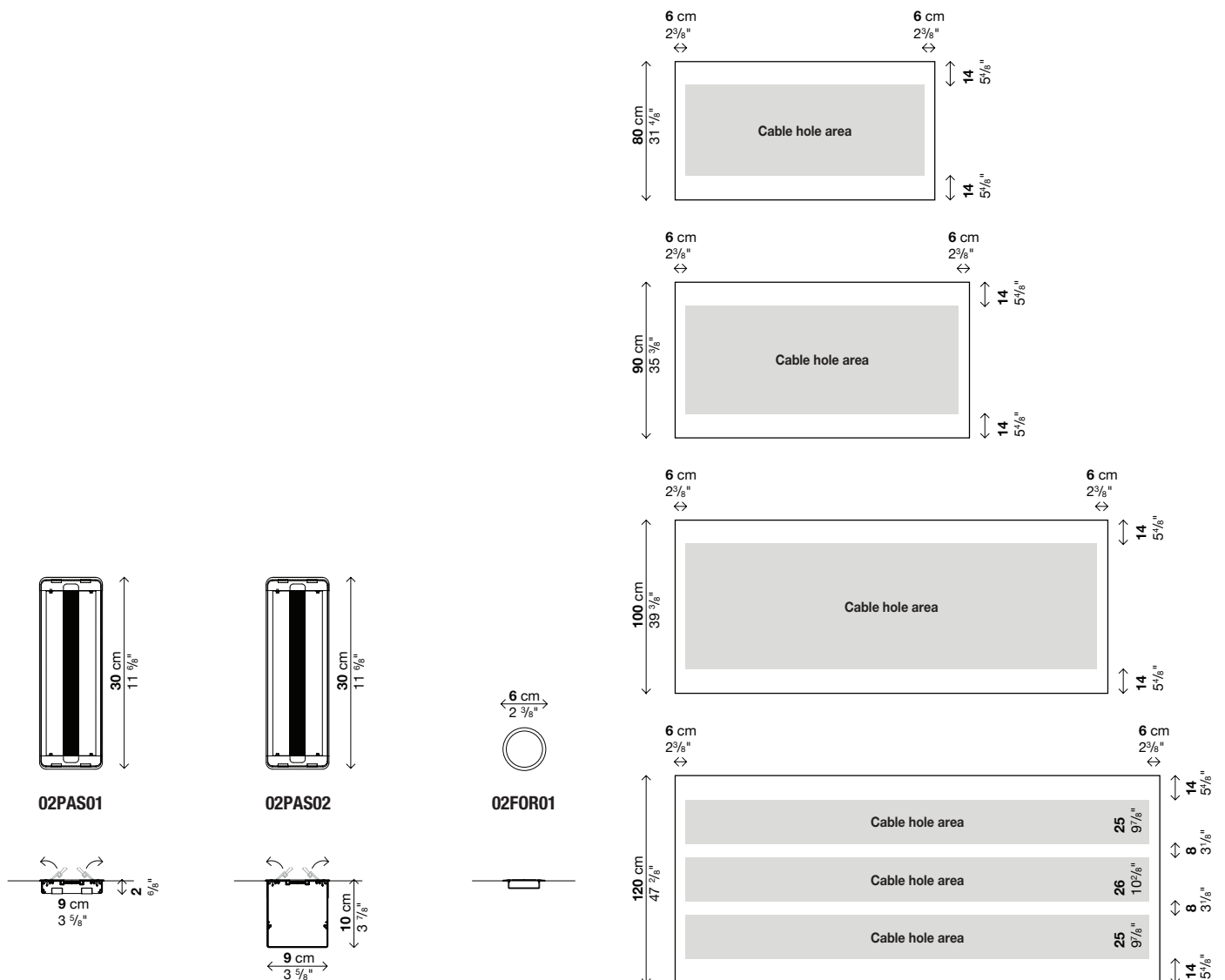
Il prezzo è comprensivo del foro del piano.

Fornire un disegno tecnico con la posizione desiderata del passacavi facendo attenzione di posizionarlo all'interno delle aree sotto indicate.

Possono esserci più di un passacavi per ogni tavolo.

E' possibile posizionare il passacavi parallelo o perpendicolare rispetto al lato lungo (ad eccezione dei tavoli profondità 120 cm dove è obbligatorio il senso parallelo).

Codice	Descrizione	Finitura		colli	m ³	Kg
		Alluminio anodizzato	Verniciato			
02PAS01	Passacavi rettangolare 30 x 9 cm			-	-	0,5
02PAS02	Passacavi rettangolare 30 x 9 cm con vaschetta sottopiano			-	-	0,8
02FOR01	Foro passacavi Ø6 cm	-		-	-	-



THIN-K

Übersicht

Prof. 80 cm
Depth 31 4/8"

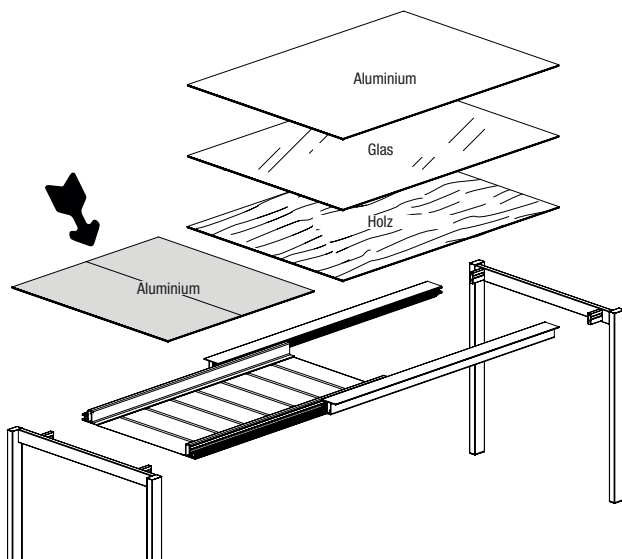
80	80 cm 31 4/8"	→ Aluminium
	123 cm 48 3/8"	→ Aluminium → Glas → Holz
	123/163/203 cm 48 3/8/64 1/8/79"	→ Aluminium → Glas → Holz
	150 cm 59"	→ Aluminium → Glas → Holz
	150/190/230 cm 59/74 7/8/90 1/2"	→ Aluminium → Glas → Holz

Prof. 90 cm
Depth 35 3/8"

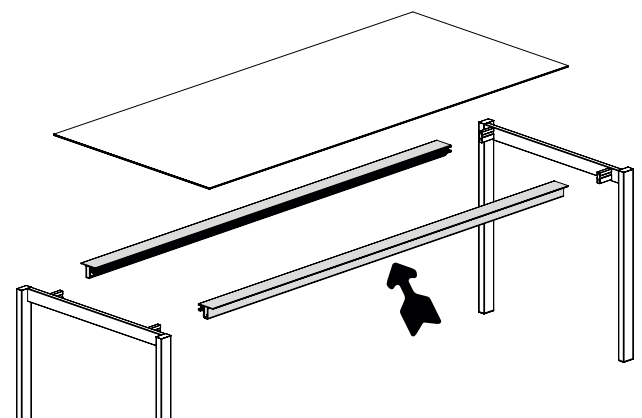
90	150 cm 59"	→ Aluminium → Glas
	150/190/230 cm 59/74 7/8/90 1/2"	→ Aluminium → Glas
	170 cm 66 7/8"	→ Aluminium → Glas → Holz
	170/210/250 cm 66 7/8/82 3/4/98 3/8"	→ Aluminium → Glas → Holz

Prof. 100 cm
Depth 39 3/8"

100	200 cm 78 3/4"	→ Aluminium → Holz
	200/240/280 cm 78 3/4/94 1/2/110 2/8"	→ Aluminium → Holz
	220 cm 86 5/8"	→ Aluminium → Holz
	240 cm 94 4/8"	→ Aluminium → Holz
	260 cm 102 3/8"	→ Aluminium → Holz
	280 cm 110 2/8"	→ Aluminium → Holz
	295 cm 116 1/8"	→ Aluminium → Holz



Bei den Tischen Thin-K in verlängerbarer Version bestehen die Verlängerungen immer aus lackiertem Aluminium (auch bei der Version mit Platte aus Glas oder Holz).

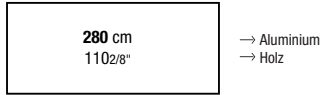
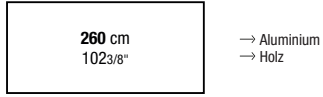
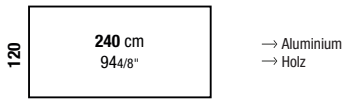


Bei den Tischen Thin-K mit einer Länge von bis zu 200 mm mit Platte aus Aluminium, Holz oder Glas bestehen die unter der Platte liegenden Längsstreben aus eloxiertem Aluminium.

Bei den Tischen Thin-K mit einer Länge von über 200 mm mit Platte aus Aluminium, Holz oder Glas bestehen die unter der Platte liegenden Längsstreben aus eloxiertem Aluminium.

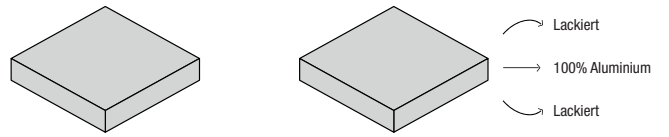
Bei den Tischen Thin-K mit einer Länge von über 200 mm mit Platte aus „europäischer Eiche“ und „Nussbaum“ bestehen die unter der Platte liegenden Längsstreben aus eloxiertem Aluminium. Im Falle einer Platte aus „Eiche Farbe Schwarz“ sind die unter der Platte liegenden Längsstreben schwarz lackiert.

Prof. 120 cm
Depth 47²/₈"

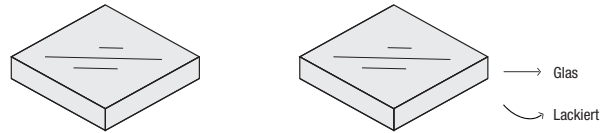


Platten St. 6 mm

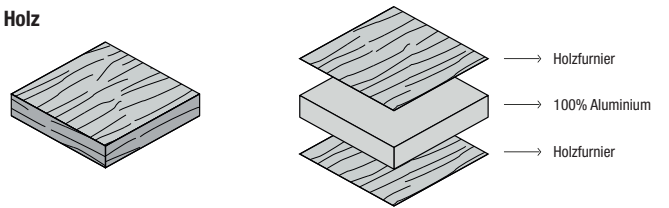
Aluminium



Glas



Holz



THIN-K ALUMINIUM

Erweiterbar - Tiefe 80 cm

Ausführung der Beine:

Aluminiumgrau lackierter Stahl (farbähnlich wie RAL 7042)
Weiß lackierter Stahl (farbähnlich wie RAL 9016)
Sandgrau lackierter Stahl (farbähnlich wie RAL 9002)
Anthrazitgrau lackierter Stahl (farbähnlich wie RAL 7015)
Schwarz lackierter Stahl (farbähnlich wie RAL 9004)
Olivgrün lackierter Stahl (farbähnlich wie "Polyurethan Olivgrün P008")

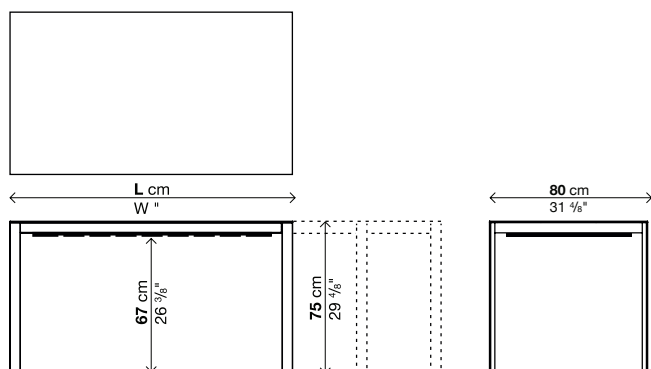
Anmerkung:

Für verstärkte Verpackungen siehe Innenseite des Umschlags.

Ausführung Platte/Beine äußere Details/Verlängerungen:

Aluminiumgrau lackierter Aluminium (farbähnlich wie RAL 7042)
Weiß lackierter Aluminium (farbähnlich wie RAL 9016)
Sandgrau lackierter Aluminium (farbähnlich wie RAL 9002)
Anthrazitgrau lackierter Aluminium (farbähnlich wie RAL 7015)
Schwarz lackierter Aluminium (farbähnlich wie RAL 9004)
Olivgrün lackierter Aluminium (farbähnlich wie "Polyurethan Olivgrün P008")

Art.-Nr.	Länge	Beine	Platte	koll. m ³	Kg
			Aluminium lackiert		
01THK01	123-163-203	Lackiert		1	0,27 54
01THK02	150-190-230	Lackiert		1	0,32 62



THIN-K ALUMINIUM

Fixmaße - Tiefe 80 cm

Ausführung der Beine:

Aluminiumgrau lackierter Stahl (farbähnlich wie RAL 7042)
 Weiß lackierter Stahl (farbähnlich wie RAL 9016)
 Sandgrau lackierter Stahl (farbähnlich wie RAL 9002)
 Anthrazitgrau lackierter Stahl (farbähnlich wie RAL 7015)
 Schwarz lackierter Stahl (farbähnlich wie RAL 9004)
 Olivgrün lackierter Stahl (farbähnlich wie "Polyurethan Olivgrün P008")

Anmerkung:

Für verstärkte Verpackungen siehe Innenseite des Umschlags.

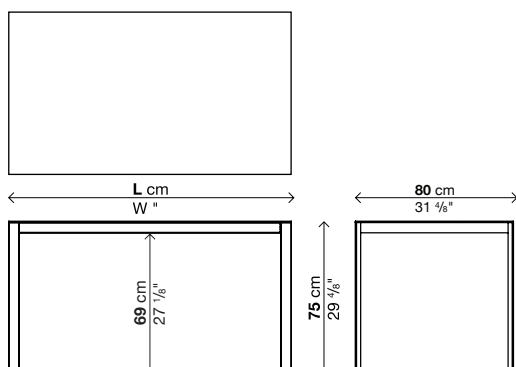
Ausführung Platte/Beine äußere Details:

Aluminiumgrau lackierter Aluminium (farbähnlich wie RAL 7042)
 Weiß lackierter Aluminium (farbähnlich wie RAL 9016)
 Sandgrau lackierter Aluminium (farbähnlich wie RAL 9002)
 Anthrazitgrau lackierter Aluminium (farbähnlich wie RAL 7015)
 Schwarz lackierter Aluminium (farbähnlich wie RAL 9004)
 Olivgrün lackierter Aluminium (farbähnlich wie "Polyurethan Olivgrün P008")

Art.-Nr.	Länge	Beine	Platte	koll.	m ³	Kg
			Aluminium lackiert			
01THK03F	80	Lackiert		1	0,18	29
01THK01F	123	Lackiert		1	0,27	39
01THK02F	150	Lackiert		1	0,32	44

Optionen

Art.-Nr.	Beschreibung	koll.	m ³	Kg
02RET09	Kabelnetz, Kunststoffmaterial	1	0,07	1
02VER01	Kabelschlange, mattes Methacrylat	1	0,01	1,5
02CPU07	CPU-Träger, mattes Methacrylat	1	0,14	5,5
	Kabeldurchlass, siehe Seite 320	-	-	-



THIN-K ALUMINIUM

Erweiterbar - Tiefe 90 cm

Ausführung der Beine:

Aluminiumgrau lackierter Stahl (farbähnlich wie RAL 7042)
Weiß lackierter Stahl (farbähnlich wie RAL 9016)
Sandgrau lackierter Stahl (farbähnlich wie RAL 9002)
Anthrazitgrau lackierter Stahl (farbähnlich wie RAL 7015)
Schwarz lackierter Stahl (farbähnlich wie RAL 9004)
Olivgrün lackierter Stahl (farbähnlich wie "Polyurethan Olivgrün P008")

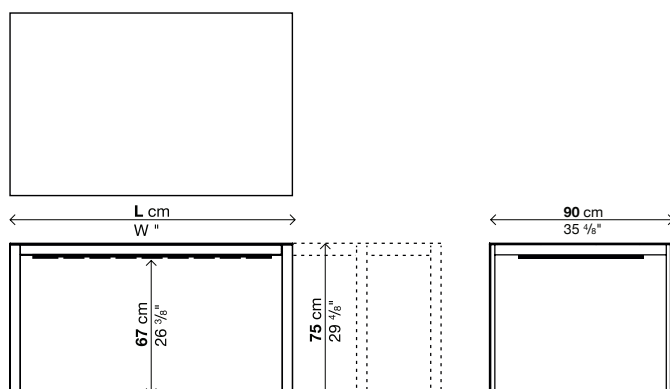
Anmerkung:

Für verstärkte Verpackungen siehe Innenseite des Umschlags.

Ausführung Platte/Beine äußere Details/Verlängerungen:

Aluminiumgrau lackierter Aluminium (farbähnlich wie RAL 7042)
Weiß lackierter Aluminium (farbähnlich wie RAL 9016)
Sandgrau lackierter Aluminium (farbähnlich wie RAL 9002)
Anthrazitgrau lackierter Aluminium (farbähnlich wie RAL 7015)
Schwarz lackierter Aluminium (farbähnlich wie RAL 9004)
Olivgrün lackierter Aluminium (farbähnlich wie "Polyurethan Olivgrün P008")

Art.-Nr.	Länge	Beine	Platte	koll. m ³	Kg
			Aluminium lackiert		
01THK10	150-190-230	Lackiert		1	0,36 65
01THK04	170-210-250	Lackiert		1	0,37 76



THIN-K ALUMINIUM

Fixmaße - Tiefe 90 cm

Ausführung der Beine:

Aluminiumgrau lackierter Stahl (farbähnlich wie RAL 7042)
Weiß lackierter Stahl (farbähnlich wie RAL 9016)
Sandgrau lackierter Stahl (farbähnlich wie RAL 9002)
Anthrazitgrau lackierter Stahl (farbähnlich wie RAL 7015)
Schwarz lackierter Stahl (farbähnlich wie RAL 9004)
Olivgrün lackierter Stahl (farbähnlich wie "Polyurethan Olivgrün P008")

Anmerkung:

Für verstärkte Verpackungen siehe Innenseite des Umschlags.

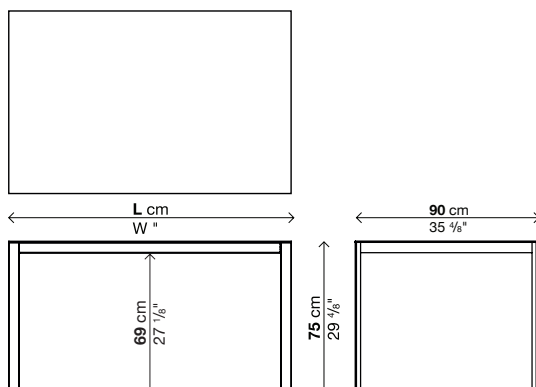
Ausführung Platte/Beine äußere Details:

Aluminiumgrau lackierter Aluminium (farbähnlich wie RAL 7042)
Weiß lackierter Aluminium (farbähnlich wie RAL 9016)
Sandgrau lackierter Aluminium (farbähnlich wie RAL 9002)
Anthrazitgrau lackierter Aluminium (farbähnlich wie RAL 7015)
Schwarz lackierter Aluminium (farbähnlich wie RAL 9004)
Olivgrün lackierter Aluminium (farbähnlich wie "Polyurethan Olivgrün P008")

Art.-Nr.	Länge	Beine	Platte	kolli	m ³	Kg
			Aluminium lackiert			
01THK10F	150	Lackiert		1	0,36	47
01THK04F	170	Lackiert		1	0,37	53

Optionen

Art.-Nr.	Beschreibung	kolli	m ³	Kg
02RET10	Kabelnetz, Kunststoffmaterial	1	0,07	1
02VER01	Kabelschlange, mattes Methacrylat	1	0,01	1,5
02CPU08	CPU-Träger, mattes Methacrylat	1	0,14	5,5
	Kabeldurchlass, siehe Seite 320	-	-	-



THIN-K ALUMINIUM

Erweiterbar - Tiefe 100 cm

Ausführung der Beine:

Aluminiumgrau lackierter Stahl (farbähnlich wie RAL 7042)
 Weiß lackierter Stahl (farbähnlich wie RAL 9016)
 Sandgrau lackierter Stahl (farbähnlich wie RAL 9002)
 Anthrazitgrau lackierter Stahl (farbähnlich wie RAL 7015)
 Schwarz lackierter Stahl (farbähnlich wie RAL 9004)
 Olivgrün lackierter Stahl (farbähnlich wie "Polyurethan Olivgrün P008")

Ausführung Platte/Beine äußere Details/Verlängerungen:

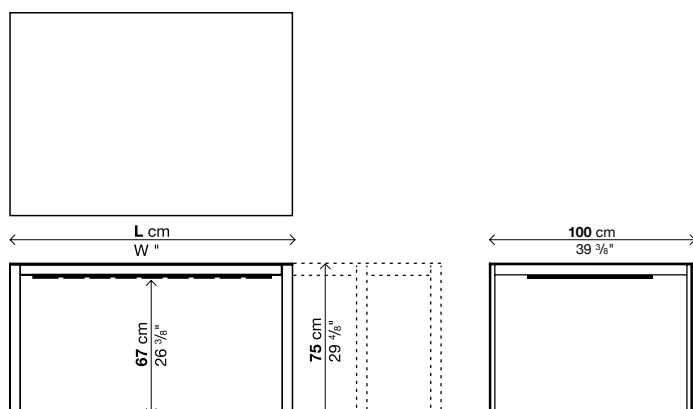
Aluminiumgrau lackierter Aluminium (farbähnlich wie RAL 7042)
 Weiß lackierter Aluminium (farbähnlich wie RAL 9016)
 Sandgrau lackierter Aluminium (farbähnlich wie RAL 9002)
 Anthrazitgrau lackierter Aluminium (farbähnlich wie RAL 7015)
 Schwarz lackierter Aluminium (farbähnlich wie RAL 9004)
 Olivgrün lackierter Aluminium (farbähnlich wie "Polyurethan Olivgrün P008")

Anmerkung:

Achtung: Die mit (!) gekennzeichneten Maße oder Ausführungen haben eine längere Produktionszeit: zirka 6 Wochen ab Auftragsdatum.

Für verstärkte Verpackungen siehe Innenseite des Umschlags.

Art.-Nr.	Länge	Beine	Platte	koll. m ³	Kg
			Aluminium lackiert		
01THK05	200-240-280 (!)	Lackiert		1	0,5 91



THIN-K ALUMINIUM

Fixmaße - Tiefe 100 cm

Ausführung der Beine:

Aluminiumgrau lackierter Stahl (farbähnlich wie RAL 7042)
 Weiß lackierter Stahl (farbähnlich wie RAL 9016)
 Sandgrau lackierter Stahl (farbähnlich wie RAL 9002)
 Anthrazitgrau lackierter Stahl (farbähnlich wie RAL 7015)
 Schwarz lackierter Stahl (farbähnlich wie RAL 9004)
 Olivgrün lackierter Stahl (farbähnlich wie "Polyurethan Olivgrün P008")

Anmerkung:

Achtung: Die mit (!) gekennzeichneten Maße oder Ausführungen haben eine längere Produktionszeit: zirka 6 Wochen ab Auftragsdatum.

Für verstärkte Verpackungen siehe Innenseite des Umschlags.

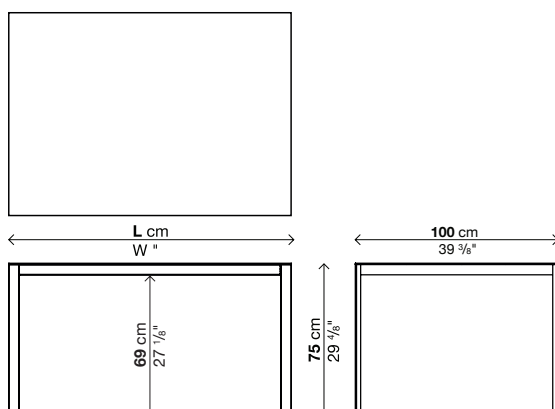
Ausführung Platte/Beine äußere Details:

Aluminiumgrau lackierter Aluminium (farbähnlich wie RAL 7042)
 Weiß lackierter Aluminium (farbähnlich wie RAL 9016)
 Sandgrau lackierter Aluminium (farbähnlich wie RAL 9002)
 Anthrazitgrau lackierter Aluminium (farbähnlich wie RAL 7015)
 Schwarz lackierter Aluminium (farbähnlich wie RAL 9004)
 Olivgrün lackierter Aluminium (farbähnlich wie "Polyurethan Olivgrün P008")

Art.-Nr.	Länge	Beine	Platte	kolli	m ³	Kg
			Aluminium lackiert			
01THK05F	200 (!)	Lackiert		1	0,5	66
01THK08F	220 (!)	Lackiert		1	0,55	80
01THK09F	240 (!)	Lackiert		1	0,59	86
01THK30F	260 (!)	Lackiert		1	0,64	91
01THK31F	280 (!)	Lackiert		1	0,68	97
01THK07F	295 (!)	Lackiert		1	0,73	101

Optionen

Art.-Nr.	Beschreibung	kolli	m ³	Kg
02RET11	Kabelnetz, Kunststoffmaterial	1	0,07	1
02VER01	Kabelschlange, mattes Methacrylat	1	0,01	1,5
02CPU09	CPU-Träger, mattes Methacrylat	1	0,14	5,5
	Kabeldurchlass, siehe Seite 320	-	-	-



THIN-K ALUMINIUM

Fixmaße - Tiefe 120 cm

Ausführung der Beine:

Aluminiumgrau lackierter Stahl (farbähnlich wie RAL 7042)
 Weiß lackierter Stahl (farbähnlich wie RAL 9016)
 Sandgrau lackierter Stahl (farbähnlich wie RAL 9002)
 Anthrazitgrau lackierter Stahl (farbähnlich wie RAL 7015)
 Schwarz lackierter Stahl (farbähnlich wie RAL 9004)
 Olivgrün lackierter Stahl (farbähnlich wie "Polyurethan Olivgrün P008")

Anmerkung:

Achtung: Die mit (!) gekennzeichneten Maße oder Ausführungen haben eine längere Produktionszeit: zirka 6 Wochen ab Auftragsdatum.

Für verstärkte Verpackungen siehe Innenseite des Umschlags.

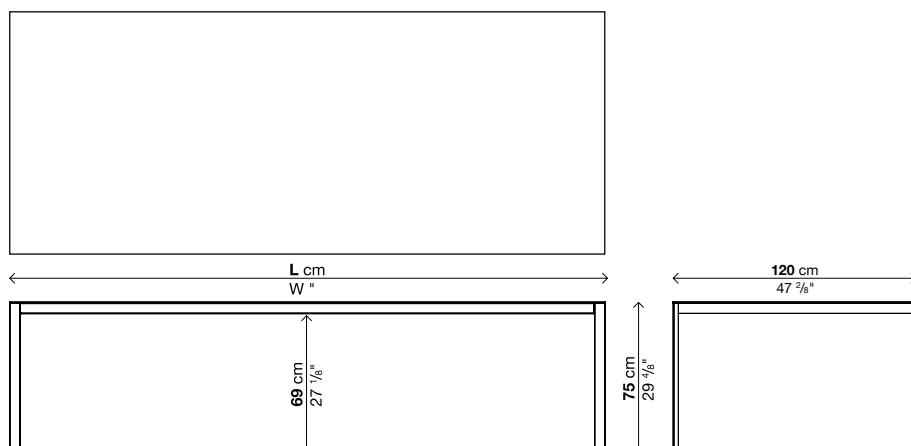
Ausführung Platte/Beine äußere Details:

Aluminiumgrau lackierter Aluminium (farbähnlich wie RAL 7042)
 Weiß lackierter Aluminium (farbähnlich wie RAL 9016)
 Sandgrau lackierter Aluminium (farbähnlich wie RAL 9002)
 Anthrazitgrau lackierter Aluminium (farbähnlich wie RAL 7015)
 Schwarz lackierter Aluminium (farbähnlich wie RAL 9004)
 Olivgrün lackierter Aluminium (farbähnlich wie "Polyurethan Olivgrün P008")

Art.-Nr.	Länge	Beine	Platte	kolli	m ³	Kg
			Aluminium lackiert			
01THK32F	240 (!)	Lackiert		1	0,69	110
01THK33F	260 (!)	Lackiert		1	0,75	118
01THK34F	280 (!)	Lackiert		1	0,8	125
01THK35F	295 (!)	Lackiert		1	0,86	131

Optionen

Art.-Nr.	Beschreibung		kolli	m ³	Kg
02RET08	Kabelnetz, Kunststoffmaterial		1	0,07	1
02VER01	Kabelschlange, mattes Methacrylat		1	0,01	1,5
	Kabeldurchlass, siehe Seite 320		-	-	-



THIN-K HOLZ

Erweiterbar - Tiefe 80 cm

Ausführung der Beine:

Aluminiumgrau lackierter Stahl (farbähnlich wie RAL 7042)
Weiß lackierter Stahl (farbähnlich wie RAL 9016)
Sandgrau lackierter Stahl (farbähnlich wie RAL 9002)
Anthrazitgrau lackierter Stahl (farbähnlich wie RAL 7015)
Schwarz lackierter Stahl (farbähnlich wie RAL 9004)
Olivgrün lackierter Stahl (farbähnlich wie "Polyurethan Olivgrün P008")

Ausführung Platte/Beine äußere Details:

Holz, Effekt europäische Eiche
Holz, Effekt Nussbaum
Holz, Effekt Eiche Farbe Schwarz

Ausführung der Verlängerungen:

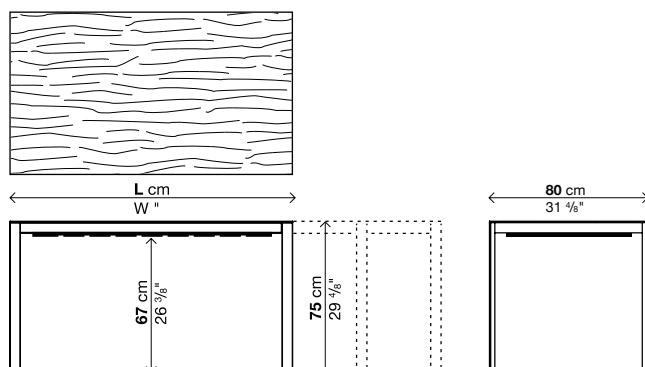
Aluminiumgrau lackierter Aluminium (farbähnlich wie RAL 7042)
Weiß lackierter Aluminium (farbähnlich wie RAL 9016)
Sandgrau lackierter Aluminium (farbähnlich wie RAL 9002)
Anthrazitgrau lackierter Aluminium (farbähnlich wie RAL 7015)
Schwarz lackierter Aluminium (farbähnlich wie RAL 9004)
Olivgrün lackierter Aluminium (farbähnlich wie "Polyurethan Olivgrün P008")

Anmerkung:

Achtung: Die mit (!) gekennzeichneten Maße oder Ausführungen haben eine längere Produktionszeit: zirka 6 Wochen ab Auftragsdatum.

Für verstärkte Verpackungen siehe Innenseite des Umschlags.

Art.-Nr.	Länge	Beine	Platte	koll.	m ³	Kg
			Holz			
01THK40	123-163-203 (!)	Lackiert		1	0,27	54
01THK41	150-190-230 (!)	Lackiert		1	0,32	62



THIN-K HOLZ

Fixmaße - Tiefe 80 cm

Ausführung der Beine:

Aluminiumgrau lackierter Stahl (farbähnlich wie RAL 7042)
Weiß lackierter Stahl (farbähnlich wie RAL 9016)
Sandgrau lackierter Stahl (farbähnlich wie RAL 9002)
Anthrazitgrau lackierter Stahl (farbähnlich wie RAL 7015)
Schwarz lackierter Stahl (farbähnlich wie RAL 9004)
Olivgrün lackierter Stahl (farbähnlich wie "Polyurethan Olivgrün P008")

Ausführung Platte/Beine äußere Details:

Holz, Effekt europäische Eiche
Holz, Effekt Nussbaum
Holz, Effekt Eiche Farbe Schwarz

Anmerkung:

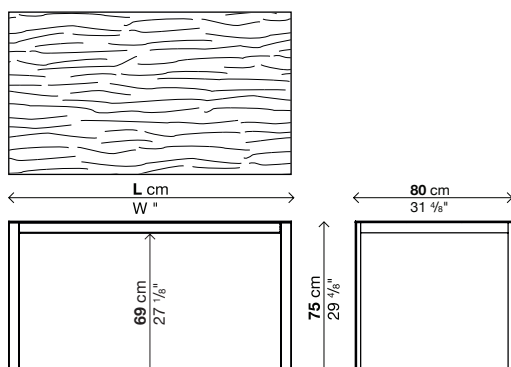
Achtung: Die mit (!) gekennzeichneten Maße oder Ausführungen haben eine längere Produktionszeit: zirka 6 Wochen ab Auftragsdatum.

Für verstärkte Verpackungen siehe Innenseite des Umschlags.

Art.-Nr.	Länge	Beine	Platte	kolli	m ³	Kg
			Holz			
01THK40F	123 (!)	Lackiert		1	0,27	39
01THK41F	150 (!)	Lackiert		1	0,32	44

Optionen

Art.-Nr.	Beschreibung		kolli	m ³	Kg
02RET09	Kabelnetz, Kunststoffmaterial		1	0,07	1
02VER01	Kabelschlange, mattes Methacrylat		1	0,01	1,5
02CPU07	CPU-Träger, mattes Methacrylat		1	0,14	5,5
	Kabeldurchlass, siehe Seite 320		-	-	-



THIN-K HOLZ

Erweiterbar - Tiefe 90 cm

Ausführung der Beine:

Aluminiumgrau lackierter Stahl (farbähnlich wie RAL 7042)
Weiß lackierter Stahl (farbähnlich wie RAL 9016)
Sandgrau lackierter Stahl (farbähnlich wie RAL 9002)
Anthrazitgrau lackierter Stahl (farbähnlich wie RAL 7015)
Schwarz lackierter Stahl (farbähnlich wie RAL 9004)
Olivgrün lackierter Stahl (farbähnlich wie "Polyurethan Olivgrün P008")

Ausführung Platte/Beine äußere Details:

Holz, Effekt europäische Eiche
Holz, Effekt Nussbaum
Holz, Effekt Eiche Farbe Schwarz

Ausführung der Verlängerungen:

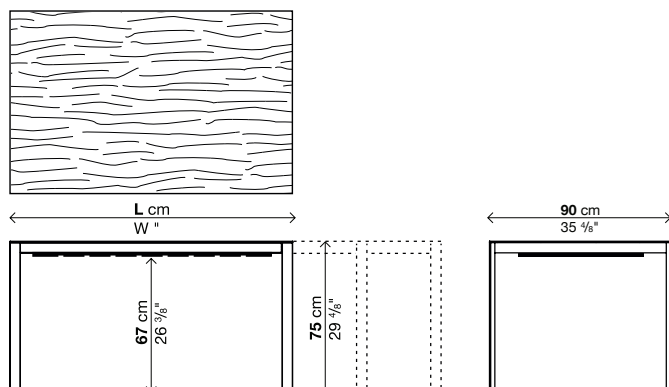
Aluminiumgrau lackierter Aluminium (farbähnlich wie RAL 7042)
Weiß lackierter Aluminium (farbähnlich wie RAL 9016)
Sandgrau lackierter Aluminium (farbähnlich wie RAL 9002)
Anthrazitgrau lackierter Aluminium (farbähnlich wie RAL 7015)
Schwarz lackierter Aluminium (farbähnlich wie RAL 9004)
Olivgrün lackierter Aluminium (farbähnlich wie "Polyurethan Olivgrün P008")

Anmerkung:

Achtung: Die mit (!) gekennzeichneten Maße oder Ausführungen haben eine längere Produktionszeit: zirka 6 Wochen ab Auftragsdatum.

Für verstärkte Verpackungen siehe Innenseite des Umschlags.

Art.-Nr.	Länge	Beine	Platte		koll. m ³ Kg
				Holz	
01THK42	170-210-250 (!)	Lackiert			1 0,37 76



THIN-K HOLZ

Fixmaße - Tiefe 90 cm

Ausführung der Beine:

Aluminiumgrau lackierter Stahl (farbähnlich wie RAL 7042)
 Weiß lackierter Stahl (farbähnlich wie RAL 9016)
 Sandgrau lackierter Stahl (farbähnlich wie RAL 9002)
 Anthrazitgrau lackierter Stahl (farbähnlich wie RAL 7015)
 Schwarz lackierter Stahl (farbähnlich wie RAL 9004)
 Olivgrün lackierter Stahl (farbähnlich wie "Polyurethan Olivgrün P008")

Ausführung Platte/Beine äußere Details:

Holz, Effekt europäische Eiche
 Holz, Effekt Nussbaum
 Holz, Effekt Eiche Farbe Schwarz

Anmerkung:

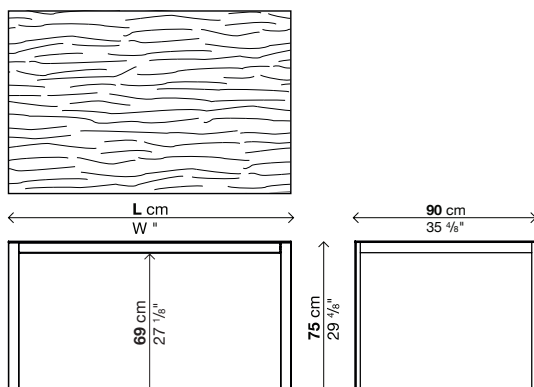
Achtung: Die mit (!) gekennzeichneten Maße oder Ausführungen haben eine längere Produktionszeit: zirka 6 Wochen ab Auftragsdatum.

Für verstärkte Verpackungen siehe Innenseite des Umschlags.

Art.-Nr.	Länge	Beine	Platte	kolli	m ³	Kg
			Holz			
01THK42F	170 (!)	Lackiert		1	0,37	53

Optionen

Art.-Nr.	Beschreibung	kolli	m ³	Kg
02RET10	Kabelnetz, Kunststoffmaterial	1	0,07	1
02VER01	Kabelschlange, mattes Methacrylat	1	0,01	1,5
02CPU08	CPU-Träger, mattes Methacrylat	1	0,14	5,5
	Kabeldurchlass, siehe Seite 320	-	-	-



THIN-K HOLZ

Erweiterbar - Tiefe 100 cm

Ausführung der Beine:

Aluminiumgrau lackierter Stahl (farbähnlich wie RAL 7042)
 Weiß lackierter Stahl (farbähnlich wie RAL 9016)
 Sandgrau lackierter Stahl (farbähnlich wie RAL 9002)
 Anthrazitgrau lackierter Stahl (farbähnlich wie RAL 7015)
 Schwarz lackierter Stahl (farbähnlich wie RAL 9004)
 Olivgrün lackierter Stahl (farbähnlich wie "Polyurethan Olivgrün P008")

Anmerkung:

Achtung: Die mit (!) gekennzeichneten Maße oder Ausführungen haben eine längere Produktionszeit: zirka 6 Wochen ab Auftragsdatum.

Für verstärkte Verpackungen siehe Innenseite des Umschlags.

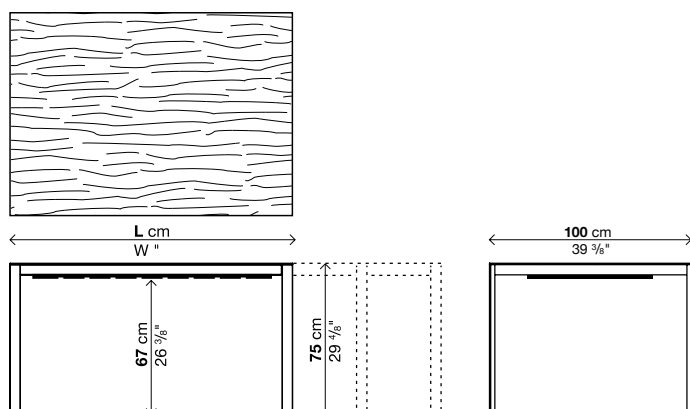
Ausführung Platte/Beine äußere Details:

Holz, Effekt europäische Eiche
 Holz, Effekt Nussbaum
 Holz, Effekt Eiche Farbe Schwarz

Ausführung der Verlängerungen:

Aluminiumgrau lackierter Aluminium (farbähnlich wie RAL 7042)
 Weiß lackierter Aluminium (farbähnlich wie RAL 9016)
 Sandgrau lackierter Aluminium (farbähnlich wie RAL 9002)
 Anthrazitgrau lackierter Aluminium (farbähnlich wie RAL 7015)
 Schwarz lackierter Aluminium (farbähnlich wie RAL 9004)
 Olivgrün lackierter Aluminium (farbähnlich wie "Polyurethan Olivgrün P008")

Art.-Nr.	Länge	Beine	Platte	koll. m ³ Kg
			Holz	
01THK43	200-240-280 (!)	Lackiert		1 0,5 91



THIN-K HOLZ

Fixmaße - Tiefe 100 cm

Ausführung der Beine:

Aluminiumgrau lackierter Stahl (farbähnlich wie RAL 7042)
 Weiß lackierter Stahl (farbähnlich wie RAL 9016)
 Sandgrau lackierter Stahl (farbähnlich wie RAL 9002)
 Anthrazitgrau lackierter Stahl (farbähnlich wie RAL 7015)
 Schwarz lackierter Stahl (farbähnlich wie RAL 9004)
 Olivgrün lackierter Stahl (farbähnlich wie "Polyurethan Olivgrün P008")

Ausführung Platte/Beine äußere Details:

Holz, Effekt europäische Eiche
 Holz, Effekt Nussbaum
 Holz, Effekt Eiche Farbe Schwarz

Anmerkung:

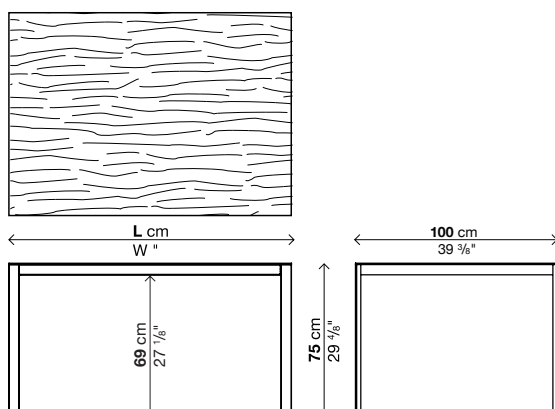
Achtung: Die mit (!) gekennzeichneten Maße oder Ausführungen haben eine längere Produktionszeit: zirka 6 Wochen ab Auftragsdatum.

Für verstärkte Verpackungen siehe Innenseite des Umschlags.

Art.-Nr.	Länge	Beine	Platte	koli m ³ Kg
			Holz	
01THK43F	200 (!)	Lackiert		1 0,5 66
01THK44F	220 (!)	Lackiert		1 0,55 80
01THK45F	240 (!)	Lackiert		1 0,59 86
01THK46F	260 (!)	Lackiert		1 0,64 91
01THK47F	280 (!)	Lackiert		1 0,68 97
01THK48F	295 (!)	Lackiert		1 0,73 101

Optionen

Art.-Nr.	Beschreibung	koli m ³ Kg
02RET11	Kabelnetz, Kunststoffmaterial	1 0,07 1
02VER01	Kabelschlange, mattes Methacrylat	1 0,01 1,5
02CPU09	CPU-Träger, mattes Methacrylat	1 0,14 5,5
	Kabeldurchlass, siehe Seite 320	- - -



THIN-K HOLZ

Fixmaße - Tiefe 120 cm

Ausführung der Beine:

Aluminiumgrau lackierter Stahl (farbähnlich wie RAL 7042)
 Weiß lackierter Stahl (farbähnlich wie RAL 9016)
 Sandgrau lackierter Stahl (farbähnlich wie RAL 9002)
 Anthrazitgrau lackierter Stahl (farbähnlich wie RAL 7015)
 Schwarz lackierter Stahl (farbähnlich wie RAL 9004)
 Olivgrün lackierter Stahl (farbähnlich wie "Polyurethan Olivgrün P008")

Anmerkung:

Achtung: Die mit (!) gekennzeichneten Maße oder Ausführungen haben eine längere Produktionszeit: zirka 6 Wochen ab Auftragsdatum.

Für verstärkte Verpackungen siehe Innenseite des Umschlags.

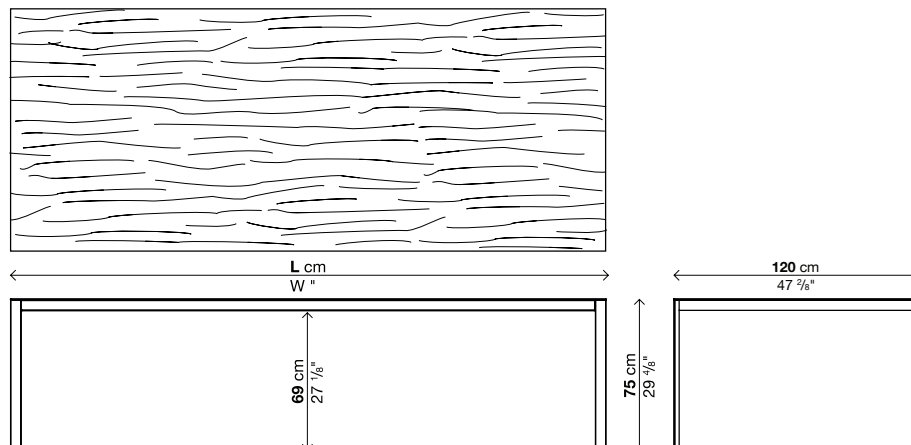
Ausführung Platte/Beine äußere Details:

Holz, Effekt europäische Eiche
 Holz, Effekt Nussbaum
 Holz, Effekt Eiche Farbe Schwarz

Art.-Nr.	Länge	Beine	Platte	kolli	m ³	Kg
			Holz			
01THK49F	240 (!)	Lackiert		1	0,69	110
01THK50F	260 (!)	Lackiert		1	0,75	118
01THK51F	280 (!)	Lackiert		1	0,8	125
01THK52F	295 (!)	Lackiert		1	0,86	131

Optionen

Art.-Nr.	Beschreibung	kolli	m ³	Kg
02RET08	Kabelnetz, Kunststoffmaterial	1	0,07	1
02VER01	Kabelschlange, mattes Methacrylat	1	0,01	1,5
	Kabeldurchlass, siehe Seite 320	-	-	-



THIN-K GLAS

Erweiterbar - Tiefe 80 cm

Ausführung der Beine:

Aluminiumgrau lackierter Stahl (farbähnlich wie RAL 7042)

Weiß lackierter Stahl (farbähnlich wie RAL 9016)

Schwarz lackierter Stahl (farbähnlich wie RAL 9004)

Anmerkung:

Für verstärkte Verpackungen siehe Innenseite des Umschlags.

Ausführung Platte/Beine äußere Details:

Glas hochglanz in den Farben: Extraweiß, Anthrazit, Schwarz

Glas matt in den Farben: Extraweiß, Anthrazit, Schwarz, Titan

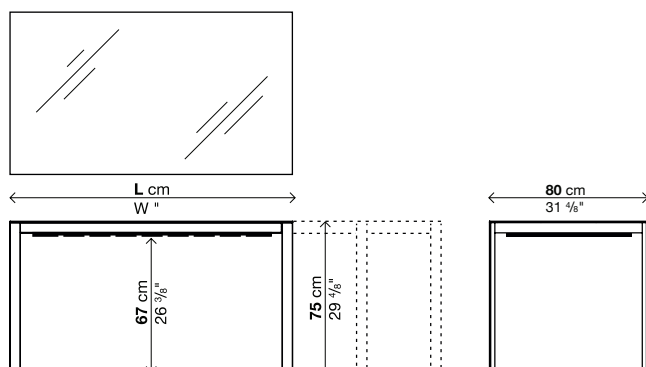
Ausführung der Verlängerungen:

Aluminiumgrau lackierter Aluminium (farbähnlich wie RAL 7042)

Weiß lackierter Aluminium (farbähnlich wie RAL 9016)

Schwarz lackierter Aluminium (farbähnlich wie RAL 9004)

Art.-Nr.	Länge	Beine	Platte		kolli	m ²	Kg
			Glas hochglanz	Glas matt			
01THK11	123-163-203	Lackiert			1	0,27	54
01THK12	150-190-230	Lackiert			1	0,32	62



THIN-K GLAS

Fixmaße - Tiefe 80 cm

Ausführung der Beine:

Aluminiumgrau lackierter Stahl (farbähnlich wie RAL 7042)

Weiß lackierter Stahl (farbähnlich wie RAL 9016)

Schwarz lackierter Stahl (farbähnlich wie RAL 9004)

Anmerkung:

Für verstärkte Verpackungen siehe Innenseite des Umschlags.

Ausführung Platte/Beine äußere Details:

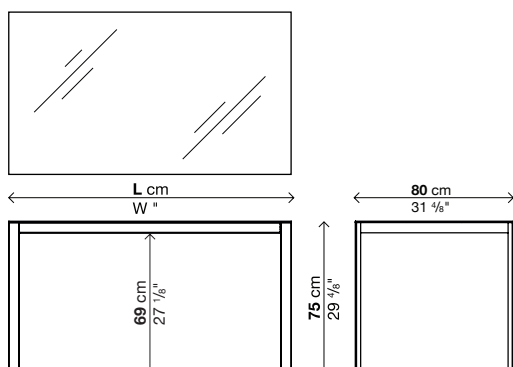
Glas hochglanz in den Farben: Extraweiß, Anthrazit, Schwarz

Glas matt in den Farben: Extraweiß, Anthrazit, Schwarz, Titan

Art.-Nr.	Länge	Beine	Platte		kolli	m ²	Kg
			Glas hochglanz	Glas matt			
01THK11F	123	Lackiert			1	0,27	39
01THK12F	150	Lackiert			1	0,32	44

Optionen

Art.-Nr.	Beschreibung	kolli	m ²	Kg
02RET09	Kabelnetz, Kunststoffmaterial	1	0,07	1
02VER01	Kabelschlange, mattes Methacrylat	1	0,01	1,5
02CPU07	CPU-Träger, mattes Methacrylat	1	0,14	5,5
	Kabeldurchlass, siehe Seite 320	-	-	-



THIN-K GLAS

Erweiterbar - Tiefe 90 cm

Ausführung der Beine:

Aluminiumgrau lackierter Stahl (farbähnlich wie RAL 7042)

Weiß lackierter Stahl (farbähnlich wie RAL 9016)

Schwarz lackierter Stahl (farbähnlich wie RAL 9004)

Anmerkung:

Für verstärkte Verpackungen siehe Innenseite des Umschlags.

Ausführung Platte/Beine äußere Details:

Glas hochglanz in den Farben: Extraweiß, Anthrazit, Schwarz

Glas matt in den Farben: Extraweiß, Anthrazit, Schwarz, Titan

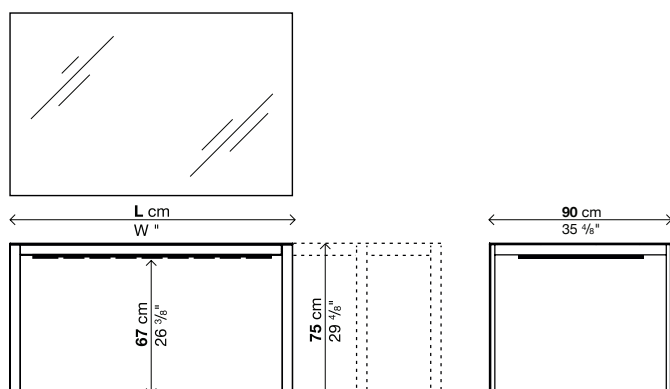
Ausführung der Verlängerungen:

Aluminiumgrau lackierter Aluminium (farbähnlich wie RAL 7042)

Weiß lackierter Aluminium (farbähnlich wie RAL 9016)

Schwarz lackierter Aluminium (farbähnlich wie RAL 9004)

Art.-Nr.	Länge	Beine	Platte		kolli	m ²	Kg
			Glas hochglanz	Glas matt			
01THK15	150-190-231	Lackiert			1	0,36	66
01THK14	170-210-250	Lackiert			1	0,37	76



THIN-K GLAS

Fixmaße - Tiefe 90 cm

Ausführung der Beine:

Aluminiumgrau lackierter Stahl (farbähnlich wie RAL 7042)

Weiß lackierter Stahl (farbähnlich wie RAL 9016)

Schwarz lackierter Stahl (farbähnlich wie RAL 9004)

Anmerkung:

Für verstärkte Verpackungen siehe Innenseite des Umschlags.

Ausführung Platte/Beine äußere Details:

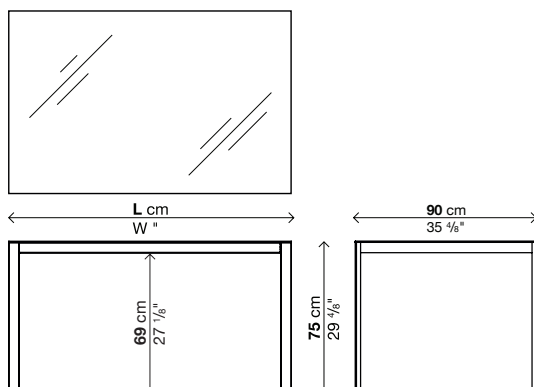
Glas hochglanz in den Farben: Extraweiß, Anthrazit, Schwarz

Glas matt in den Farben: Extraweiß, Anthrazit, Schwarz, Titan

Art.-Nr.	Länge	Beine	Platte		kolli	m ³	Kg
			Glas hochglanz	Glas matt			
01THK15F	150	Lackiert			1	0,36	47
01THK14F	170	Lackiert			1	0,37	53

Optionen

Art.-Nr.	Beschreibung	kolli	m ³	Kg
02RET10	Kabelnetz, Kunststoffmaterial	1	0,07	1
02VER01	Kabelschlange, mattes Methacrylat	1	0,01	1,5
02CPU08	CPU-Träger, mattes Methacrylat	1	0,14	5,5
	Kabeldurchlass, siehe Seite 320	-	-	-



THIN-K

Kabeldurchlass

Ausführung:

- Eloxiertes Aluminium
- Weiß lackiertes Aluminium
- Schwarz lackiertes Aluminium

Anmerkung:

Nur die Tische in fix montierter Version und mit Platten aus Aluminium oder Holz können mit Kabeldurchlässen ausgestattet werden (bei Glasplatten ist kein Kabeldurchlass vorgesehen).

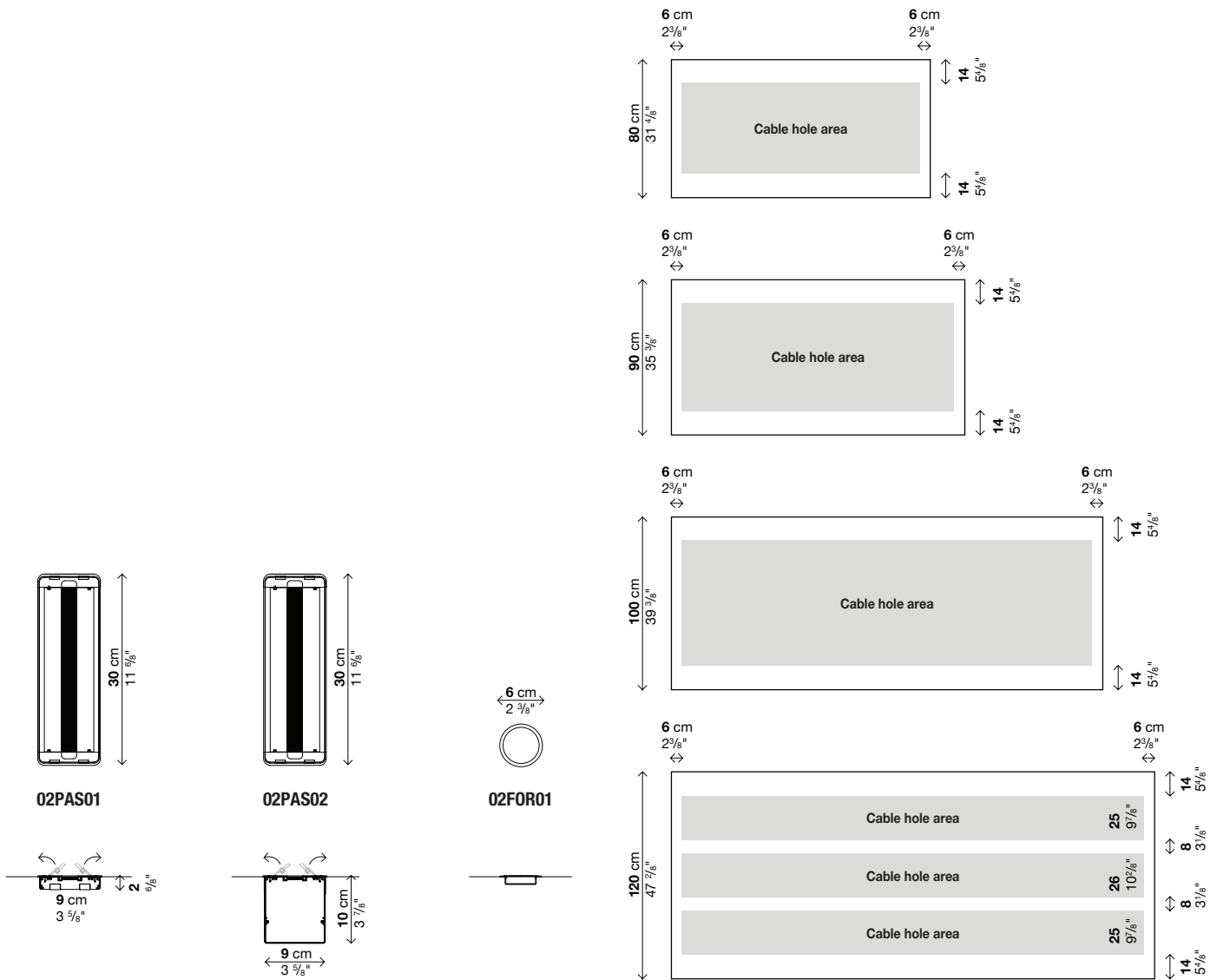
Der Preis beinhaltet den Ausschnitt auf der Platte.

Übermitteln Sie bitte eine technische Zeichnung mit der gewünschten Lage des Kabeldurchlasses und achten Sie darauf, dass dieser innerhalb der angegebenen Zone liegt.

Pro Tisch können mehrere Kabeldurchlässe eingesetzt werden.

Der Kabeldurchlass kann parallel oder senkrecht zur langen Tischseite angebracht werden (ausgenommen Tische Tiefe 120 cm, wo nur die parallele Lage obligatorisch ist).

Art.-Nr.	Beschreibung	Ausführung		kolli	m³	Kg
		Eloxiertes Aluminium	Lackiert			
02PAS01	Kabeldurchlass rechteckig 30 x 9 cm			-	-	0,5
02PAS02	Kabeldurchlass rechteckig (30 x 9 cm) mit Behälter unter der Tischplatte			-	-	0,8
02FOR01	Kabeldurchlass Ø6 cm	-		-	-	-



THIN-K

Dimensions

Prof. 80 cm
Depth 31 4/8"

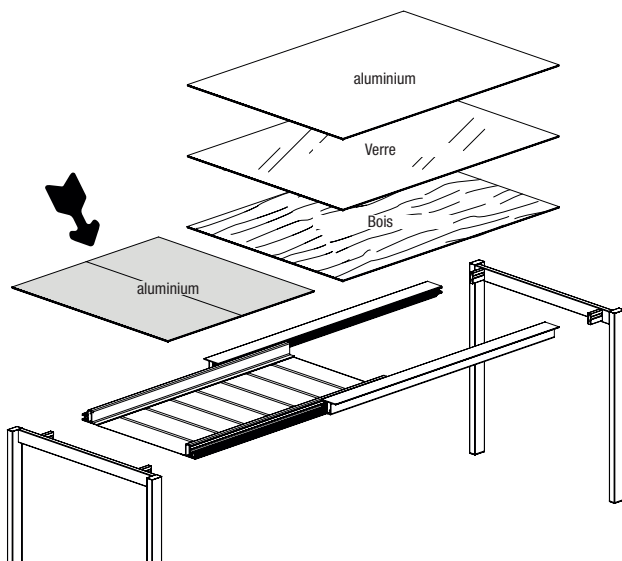
80	80 cm 31 4/8"	→ Aluminium
	123 cm 48 3/8"	→ Aluminium → Verre → Bois
	123/163/203 cm 48 3/8/64 1/8/79"	→ Aluminium → Verre → Bois
	150 cm 59"	→ Aluminium → Verre → Bois
	150/190/230 cm 59/74 7/8/90 1/2"	→ Aluminium → Verre → Bois

Prof. 90 cm
Depth 35 3/8"

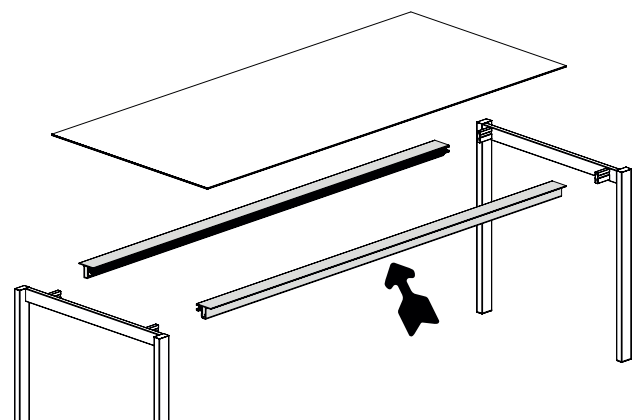
90	150 cm 59"	→ Aluminium → Verre
	150/190/230 cm 59/74 7/8/90 1/2"	→ Aluminium → Verre
	170 cm 66 7/8"	→ Aluminium → Verre → Bois
	170/210/250 cm 66 7/8/82 3/4/98 3/8"	→ Aluminium → Verre → Bois

Prof. 100 cm
Depth 39 3/8"

100	200 cm 78 3/4"	→ Aluminium → Bois
	200/240/280 cm 78 3/4/94 1/2/110 2/8"	→ Aluminium → Bois
	220 cm 86 5/8"	→ Aluminium → Bois
	240 cm 94 4/8"	→ Aluminium → Bois
	260 cm 102 3/8"	→ Aluminium → Bois
	280 cm 110 2/8"	→ Aluminium → Bois
	295 cm 116 1/8"	→ Aluminium → Bois



Sur les tables Thin-K version extensible, les rallonges sont toujours en aluminium laqué époxy (même sur les versions avec plateau en verre ou en bois).



Sur les tables Thin-K jusqu'à 200 cm de long avec plateau en aluminium, bois ou verre, les profilés sous-plan sont en aluminium anodisé.

Sur les tables Thin-K avec plus de 200 cm de long avec plateau en aluminium, les profilés sous-plan sont laqués dans la même teinte que le plateau.

Sur les tables Thin-K avec plus de 200 cm de long, avec plateau en "Chêne européen" ou "Noyer", les profilés sous-plan sont en aluminium anodisé.
En cas de plateau en "Chêne teinté noir", les profilés sous-plan sont laqués noirs.

Plateaux Ép. 6 mm

Prof. 120 cm
Depth 47 2/8"

120

240 cm
94 4/8"

→ Aluminium
→ Bois

260 cm
102 3/8"

→ Aluminium
→ Bois

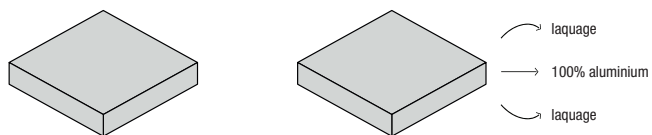
280 cm
110 2/8"

→ Aluminium
→ Bois

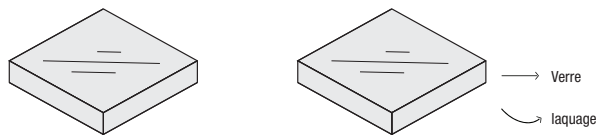
295 cm
116 1/8"

→ Aluminium
→ Bois

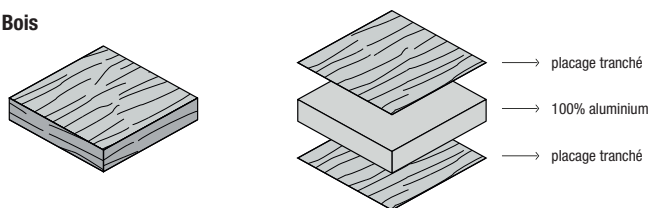
Aluminium



Verre



Bois



THIN-K ALUMINIUM

Extensible - Profondeur 80 cm

Finition pieds:

Acier laqué gris aluminium (semblable à la teinte RAL 7042)
Acier laqué blanc (semblable à la teinte RAL 9016)
Acier laqué gris sable (semblable à la teinte RAL 9002)
Acier laqué gris anthracite (semblable à la teinte RAL 7015)
Acier laqué noir (semblable à la teinte RAL 9004)
Acier laqué vert olive (réf. coloris "Polyuréthane vert olive P008")

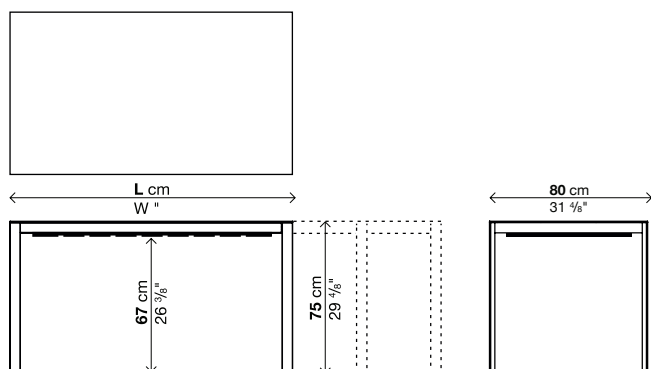
Notes:

Emballages renforcés, voir intérieur de la couverture.

Finition plateau/pieds détails extérieurs/rallonges:

Aluminium laqué gris aluminium (semblable à la teinte RAL 7042)
Aluminium laqué blanc (semblable à la teinte RAL 9016)
Aluminium laqué gris sable (semblable à la teinte RAL 9002)
Aluminium laqué gris anthracite (semblable à la teinte RAL 7015)
Aluminium laqué noir (semblable à la teinte RAL 9004)
Aluminium laqué vert olive (réf. coloris "Polyuréthane vert olive P008")

Code	Longueur	Pieds	Plateau	colis	m ³	Kg
			Aluminium laqué			
01THK01	123-163-203	Laqué		1	0,27	54
01THK02	150-190-230	Laqué		1	0,32	62



THIN-K ALUMINIUM

Fixe - Profondeur 80 cm

Finition pieds:

Acier laqué gris aluminium (semblable à la teinte RAL 7042)
Acier laqué blanc (semblable à la teinte RAL 9016)
Acier laqué gris sable (semblable à la teinte RAL 9002)
Acier laqué gris anthracite (semblable à la teinte RAL 7015)
Acier laqué noir (semblable à la teinte RAL 9004)
Acier laqué vert olive (réf. coloris "Polyuréthane vert olive P008")

Notes:

Emballages renforcés, voir intérieur de la couverture.

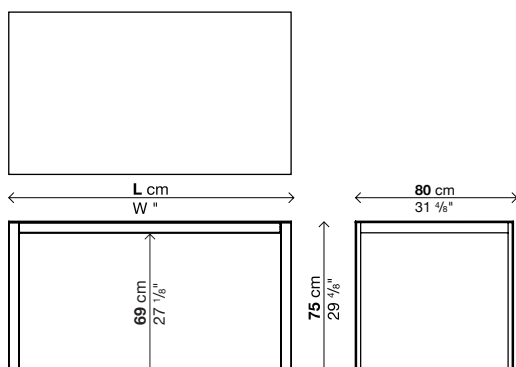
Finition plateau/pieds détails extérieurs:

Aluminium laqué gris aluminium (semblable à la teinte RAL 7042)
Aluminium laqué blanc (semblable à la teinte RAL 9016)
Aluminium laqué gris sable (semblable à la teinte RAL 9002)
Aluminium laqué gris anthracite (semblable à la teinte RAL 7015)
Aluminium laqué noir (semblable à la teinte RAL 9004)
Aluminium laqué vert olive (réf. coloris "Polyuréthane vert olive P008")

Code	Longueur	Pieds	Plateau	colis	m ³	Kg
			Aluminium laqué			
01THK03F	80	Laqué		1	0,18	29
01THK01F	123	Laqué		1	0,27	39
01THK02F	150	Laqué		1	0,32	44

Optionals

Code	Description	colis	m ³	Kg
02RET09	Câblage, matière plastique	1	0,07	1
02VER01	Vertèbre, méthacrylate opaline	1	0,01	1,5
02CPU07	Support CPU, méthacrylate opaline	1	0,14	5,5
	Passe-câbles, voir page 320	-	-	-



THIN-K ALUMINIUM

Extensible - Profondeur 90 cm

Finition pieds:

Acier laqué gris aluminium (semblable à la teinte RAL 7042)
Acier laqué blanc (semblable à la teinte RAL 9016)
Acier laqué gris sable (semblable à la teinte RAL 9002)
Acier laqué gris anthracite (semblable à la teinte RAL 7015)
Acier laqué noir (semblable à la teinte RAL 9004)
Acier laqué vert olive (réf. coloris "Polyuréthane vert olive P008")

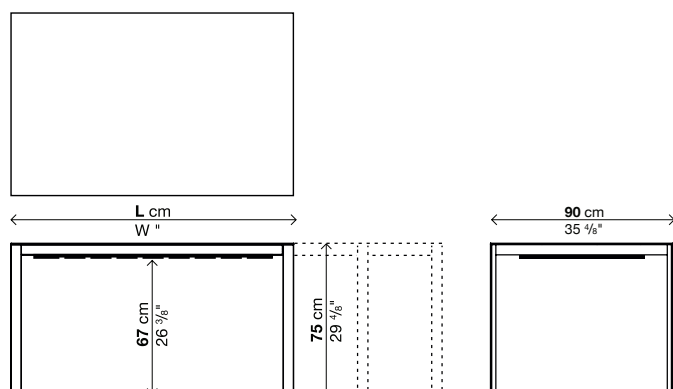
Notes:

Emballages renforcés, voir intérieur de la couverture.

Finition plateau/pieds détails extérieurs/rallonges:

Aluminium laqué gris aluminium (semblable à la teinte RAL 7042)
Aluminium laqué blanc (semblable à la teinte RAL 9016)
Aluminium laqué gris sable (semblable à la teinte RAL 9002)
Aluminium laqué gris anthracite (semblable à la teinte RAL 7015)
Aluminium laqué noir (semblable à la teinte RAL 9004)
Aluminium laqué vert olive (réf. coloris "Polyuréthane vert olive P008")

Code	Longueur	Pieds	Plateau	colis	m ³	Kg
			Aluminium laqué			
01THK10	150-190-230	Laqué		1	0,36	65
01THK04	170-210-250	Laqué		1	0,37	76



THIN-K ALUMINIUM

Fixe - Profondeur 90 cm

Finition pieds:

Acier laqué gris aluminium (semblable à la teinte RAL 7042)
Acier laqué blanc (semblable à la teinte RAL 9016)
Acier laqué gris sable (semblable à la teinte RAL 9002)
Acier laqué gris anthracite (semblable à la teinte RAL 7015)
Acier laqué noir (semblable à la teinte RAL 9004)
Acier laqué vert olive (réf. coloris "Polyuréthane vert olive P008")

Notes:

Emballages renforcés, voir intérieur de la couverture.

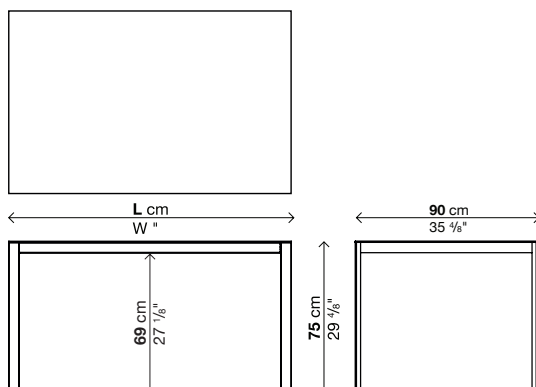
Finition plateau/pieds détails extérieurs:

Aluminium laqué gris aluminium (semblable à la teinte RAL 7042)
Aluminium laqué blanc (semblable à la teinte RAL 9016)
Aluminium laqué gris sable (semblable à la teinte RAL 9002)
Aluminium laqué gris anthracite (semblable à la teinte RAL 7015)
Aluminium laqué noir (semblable à la teinte RAL 9004)
Aluminium laqué vert olive (réf. coloris "Polyuréthane vert olive P008")

Code	Longueur	Pieds	Plateau	colis	m ³	Kg
			Aluminium laqué			
01THK10F	150	Laqué		1	0,36	47
01THK04F	170	Laqué		1	0,37	53

Optionals

Code	Description	colis	m ³	Kg
02RET10	Câblage, matière plastique	1	0,07	1
02VER01	Vertèbre, méthacrylate opaline	1	0,01	1,5
02CPU08	Support CPU, méthacrylate opaline	1	0,14	5,5
	Passe-câbles, voir page 320	-	-	-



THIN-K ALUMINIUM

Extensible - Profondeur 100 cm

Finition pieds:

Acier laqué gris aluminium (semblable à la teinte RAL 7042)
Acier laqué blanc (semblable à la teinte RAL 9016)
Acier laqué gris sable (semblable à la teinte RAL 9002)
Acier laqué gris anthracite (semblable à la teinte RAL 7015)
Acier laqué noir (semblable à la teinte RAL 9004)
Acier laqué vert olive (réf. coloris "Polyuréthane vert olive P008")

Finition plateau/pieds détails extérieurs/rallonges:

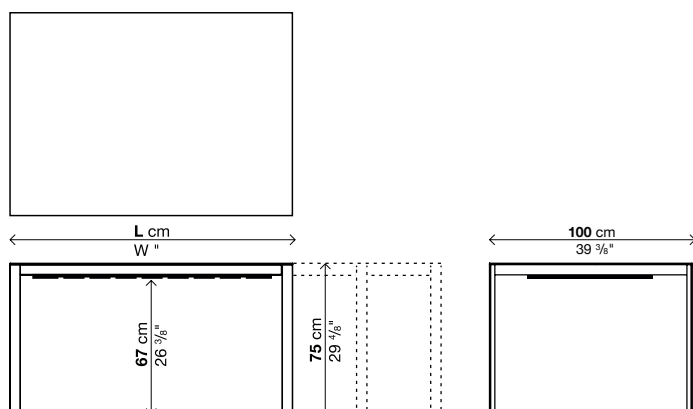
Aluminium laqué gris aluminium (semblable à la teinte RAL 7042)
Aluminium laqué blanc (semblable à la teinte RAL 9016)
Aluminium laqué gris sable (semblable à la teinte RAL 9002)
Aluminium laqué gris anthracite (semblable à la teinte RAL 7015)
Aluminium laqué noir (semblable à la teinte RAL 9004)
Aluminium laqué vert olive (réf. coloris "Polyuréthane vert olive P008")

Notes:

Attention: les dimensions et les finitions marquées par un point d'exclamation (!) ont des délais de production plus longs (environ 6 semaines à partir de la date de la commande).

Emballages renforcés, voir intérieur de la couverture.

Code	Longueur	Pieds	Plateau	colis	m ³	Kg
			Aluminium laqué			
01THK05	200-240-280 (!)	Laqué		1	0,5	91



THIN-K ALUMINIUM

Fixe - Profondeur 100 cm

Finition pieds:

Acier laqué gris aluminium (semblable à la teinte RAL 7042)
Acier laqué blanc (semblable à la teinte RAL 9016)
Acier laqué gris sable (semblable à la teinte RAL 9002)
Acier laqué gris anthracite (semblable à la teinte RAL 7015)
Acier laqué noir (semblable à la teinte RAL 9004)
Acier laqué vert olive (réf. coloris "Polyuréthane vert olive P008")

Finition plateau/pieds détails extérieurs:

Aluminium laqué gris aluminium (semblable à la teinte RAL 7042)
Aluminium laqué blanc (semblable à la teinte RAL 9016)
Aluminium laqué gris sable (semblable à la teinte RAL 9002)
Aluminium laqué gris anthracite (semblable à la teinte RAL 7015)
Aluminium laqué noir (semblable à la teinte RAL 9004)
Aluminium laqué vert olive (réf. coloris "Polyuréthane vert olive P008")

Notes:

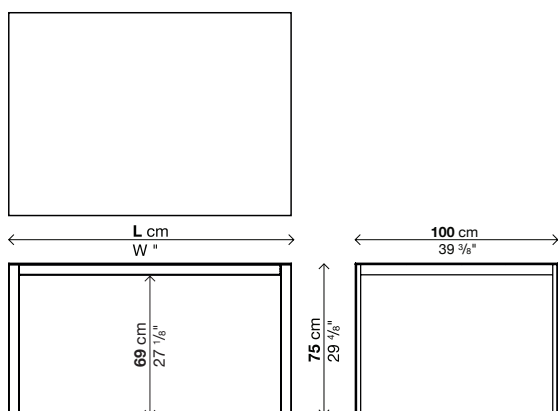
Attention: les dimensions et les finitions marquées par un point d'exclamation (!) ont des délais de production plus longs (environ 6 semaines à partir de la date de la commande).

Emballages renforcés, voir intérieur de la couverture.

Code	Longueur	Pieds	Plateau	colis	m ³	Kg
			Aluminium laqué			
01THK05F	200 (!)	Laqué		1	0,5	66
01THK08F	220 (!)	Laqué		1	0,55	80
01THK09F	240 (!)	Laqué		1	0,59	86
01THK30F	260 (!)	Laqué		1	0,64	91
01THK31F	280 (!)	Laqué		1	0,68	97
01THK07F	295 (!)	Laqué		1	0,73	101

Optionals

Code	Description	colis	m ³	Kg
02RET11	Câblage, matière plastique	1	0,07	1
02VER01	Vertèbre, méthacrylate opaline	1	0,01	1,5
02CPU09	Support CPU, méthacrylate opaline	1	0,14	5,5
	Passe-câbles, voir page 320	-	-	-



THIN-K ALUMINIUM

Fixe - Profondeur 120 cm

Finition pieds:

Acier laqué gris aluminium (semblable à la teinte RAL 7042)
Acier laqué blanc (semblable à la teinte RAL 9016)
Acier laqué gris sable (semblable à la teinte RAL 9002)
Acier laqué gris anthracite (semblable à la teinte RAL 7015)
Acier laqué noir (semblable à la teinte RAL 9004)
Acier laqué vert olive (réf. coloris "Polyuréthane vert olive P008")

Finition plateau/pieds détails extérieurs:

Aluminium laqué gris aluminium (semblable à la teinte RAL 7042)
Aluminium laqué blanc (semblable à la teinte RAL 9016)
Aluminium laqué gris sable (semblable à la teinte RAL 9002)
Aluminium laqué gris anthracite (semblable à la teinte RAL 7015)
Aluminium laqué noir (semblable à la teinte RAL 9004)
Aluminium laqué vert olive (réf. coloris "Polyuréthane vert olive P008")

Notes:

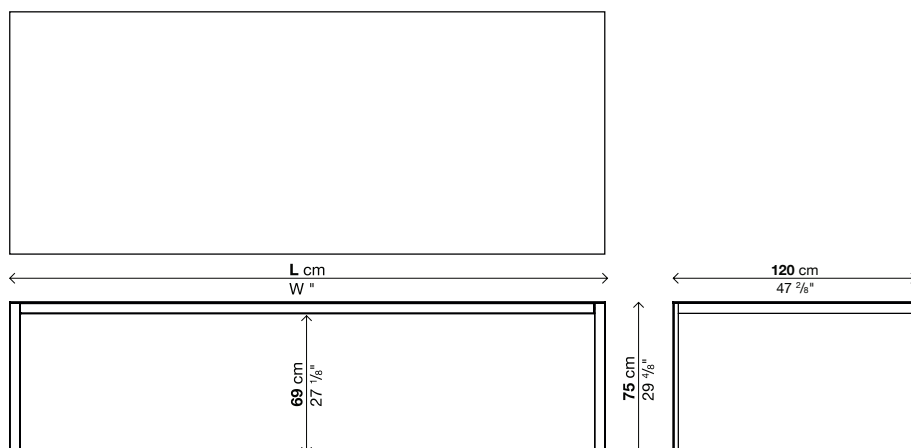
Attention: les dimensions et les finitions marquées par un point d'exclamation (!) ont des délais de production plus longs (environ 6 semaines à partir de la date de la commande).

Emballages renforcés, voir intérieur de la couverture.

Code	Longueur	Pieds	Plateau	colis	m ³	Kg
			Aluminium laqué			
01THK32F	240 (!)	Laqué		1	0,69	110
01THK33F	260 (!)	Laqué		1	0,75	118
01THK34F	280 (!)	Laqué		1	0,8	125
01THK35F	295 (!)	Laqué		1	0,86	131

Optionals

Code	Description	colis	m ³	Kg
02RET08	Câblage, matière plastique	1	0,07	1
02VER01	Vertèbre, méthacrylate opaline	1	0,01	1,5
	Passe-câbles, voir page 320	-	-	-



THIN-K BOIS

Extensible - Profondeur 80 cm

Finition pieds:

Acier laqué gris aluminium (semblable à la teinte RAL 7042)
Acier laqué blanc (semblable à la teinte RAL 9016)
Acier laqué gris sable (semblable à la teinte RAL 9002)
Acier laqué gris anthracite (semblable à la teinte RAL 7015)
Acier laqué noir (semblable à la teinte RAL 9004)
Acier laqué vert olive (réf. coloris "Polyuréthane vert olive P008")

Finition plateau/pieds détails extérieurs:

Bois aspect chêne européen
Bois aspect noyer
Bois aspect chêne teinté noir

Finition des rallonges:

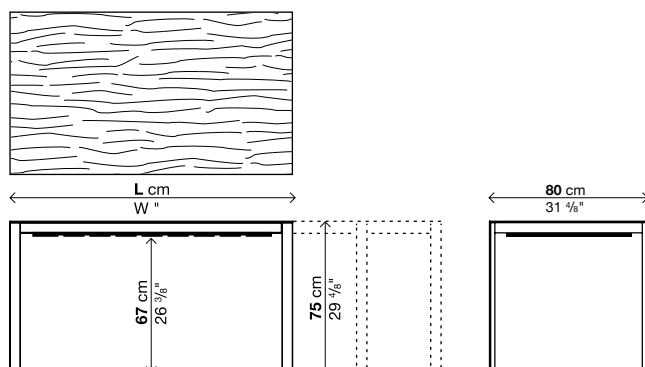
Aluminium laqué gris aluminium (semblable à la teinte RAL 7042)
Aluminium laqué blanc (semblable à la teinte RAL 9016)
Aluminium laqué gris sable (semblable à la teinte RAL 9002)
Aluminium laqué gris anthracite (semblable à la teinte RAL 7015)
Aluminium laqué noir (semblable à la teinte RAL 9004)
Aluminium laqué vert olive (réf. coloris "Polyuréthane vert olive P008")

Notes:

Attention: les dimensions et les finitions marquées par un point d'exclamation (!) ont des délais de production plus longs (environ 6 semaines à partir de la date de la commande).

Emballages renforcés, voir intérieur de la couverture.

Code	Longueur	Pieds	Plateau		colis m ³ Kg
				Bois	
01THK40	123-163-203 (!)	Laqué			1 0,27 54
01THK41	150-190-230 (!)	Laqué			1 0,32 62



THIN-K BOIS

Fixe - Profondeur 80 cm

Finition pieds:

Acier laqué gris aluminium (semblable à la teinte RAL 7042)
Acier laqué blanc (semblable à la teinte RAL 9016)
Acier laqué gris sable (semblable à la teinte RAL 9002)
Acier laqué gris anthracite (semblable à la teinte RAL 7015)
Acier laqué noir (semblable à la teinte RAL 9004)
Acier laqué vert olive (réf. coloris "Polyuréthane vert olive P008")

Finition plateau/pieds détails extérieurs:

Bois aspect chêne européen
Bois aspect noyer
Bois aspect chêne teinté noir

Notes:

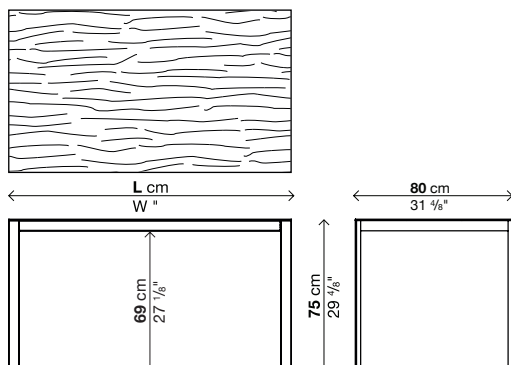
Attention: les dimensions et les finitions marquées par un point d'exclamation (!) ont des délais de production plus longs (environ 6 semaines à partir de la date de la commande).

Emballages renforcés, voir intérieur de la couverture.

Code	Longueur	Pieds	Plateau	colis	m ³	Kg
			Bois			
01THK40F	123 (!)	Laqué		1	0,27	39
01THK41F	150 (!)	Laqué		1	0,32	44

Optionals

Code	Description	colis	m ³	Kg
02RET09	Câblage, matière plastique	1	0,07	1
02VER01	Vertèbre, méthacrylate opaline	1	0,01	1,5
02CPU07	Support CPU, méthacrylate opaline	1	0,14	5,5
	Passe-câbles, voir page 320	-	-	-



THIN-K BOIS

Extensible - Profondeur 90 cm

Finition pieds:

Acier laqué gris aluminium (semblable à la teinte RAL 7042)
Acier laqué blanc (semblable à la teinte RAL 9016)
Acier laqué gris sable (semblable à la teinte RAL 9002)
Acier laqué gris anthracite (semblable à la teinte RAL 7015)
Acier laqué noir (semblable à la teinte RAL 9004)
Acier laqué vert olive (réf. coloris "Polyuréthane vert olive P008")

Finition plateau/pieds détails extérieurs:

Bois aspect chêne européen
Bois aspect noyer
Bois aspect chêne teinté noir

Finition des rallonges:

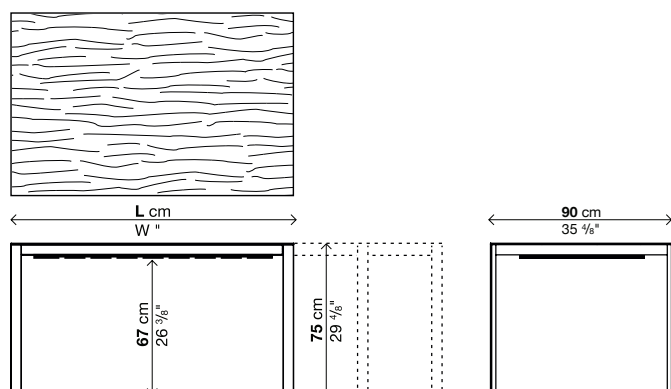
Aluminium laqué gris aluminium (semblable à la teinte RAL 7042)
Aluminium laqué blanc (semblable à la teinte RAL 9016)
Aluminium laqué gris sable (semblable à la teinte RAL 9002)
Aluminium laqué gris anthracite (semblable à la teinte RAL 7015)
Aluminium laqué noir (semblable à la teinte RAL 9004)
Aluminium laqué vert olive (réf. coloris "Polyuréthane vert olive P008")

Notes:

Attention: les dimensions et les finitions marquées par un point d'exclamation (!) ont des délais de production plus longs (environ 6 semaines à partir de la date de la commande).

Emballages renforcés, voir intérieur de la couverture.

Code	Longueur	Pieds	Plateau		colis m ³ Kg
				Bois	
01THK42	170-210-250 (!)	Laqué			1 0,37 76



THIN-K BOIS

Fixe - Profondeur 90 cm

Finition pieds:

Acier laqué gris aluminium (semblable à la teinte RAL 7042)
Acier laqué blanc (semblable à la teinte RAL 9016)
Acier laqué gris sable (semblable à la teinte RAL 9002)
Acier laqué gris anthracite (semblable à la teinte RAL 7015)
Acier laqué noir (semblable à la teinte RAL 9004)
Acier laqué vert olive (réf. coloris "Polyuréthane vert olive P008")

Finition plateau/pieds détails extérieurs:

Bois aspect chêne européen
Bois aspect noyer
Bois aspect chêne teinté noir

Notes:

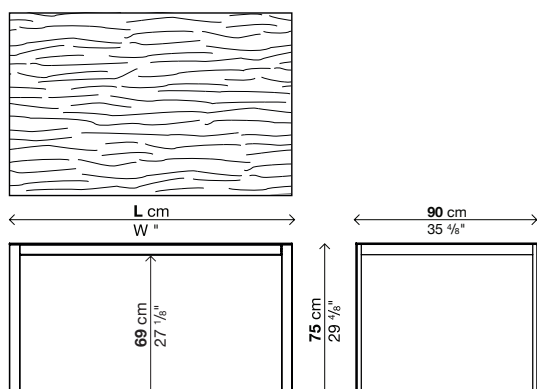
Attention: les dimensions et les finitions marquées par un point d'exclamation (!) ont des délais de production plus longs (environ 6 semaines à partir de la date de la commande).

Emballages renforcés, voir intérieur de la couverture.

Code	Longueur	Pieds	Plateau	colis	m ³	Kg
			Bois			
01THK42F	170 (!)	Laqué		1	0,37	53

Optionals

Code	Description	colis	m ³	Kg
02RET10	Câblage, matière plastique	1	0,07	1
02VER01	Vertèbre, méthacrylate opaline	1	0,01	1,5
02CPU08	Support CPU, méthacrylate opaline	1	0,14	5,5
	Passe-câbles, voir page 320	-	-	-



THIN-K BOIS

Extensible - Profondeur 100 cm

Finition pieds:

Acier laqué gris aluminium (semblable à la teinte RAL 7042)
Acier laqué blanc (semblable à la teinte RAL 9016)
Acier laqué gris sable (semblable à la teinte RAL 9002)
Acier laqué gris anthracite (semblable à la teinte RAL 7015)
Acier laqué noir (semblable à la teinte RAL 9004)
Acier laqué vert olive (réf. coloris "Polyuréthane vert olive P008")

Finition plateau/pieds détails extérieurs:

Bois aspect chêne européen
Bois aspect noyer
Bois aspect chêne teinté noir

Finition des rallonges:

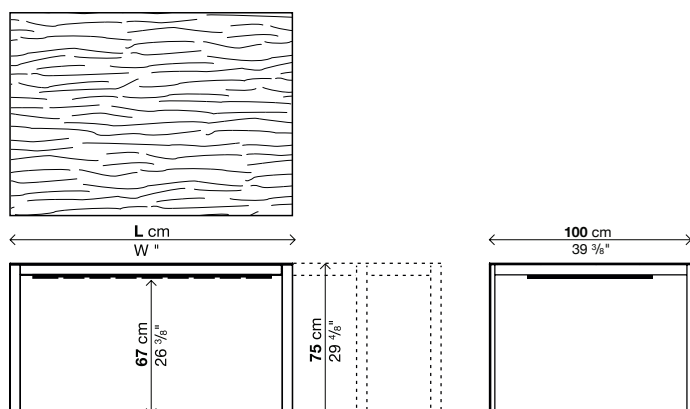
Aluminium laqué gris aluminium (semblable à la teinte RAL 7042)
Aluminium laqué blanc (semblable à la teinte RAL 9016)
Aluminium laqué gris sable (semblable à la teinte RAL 9002)
Aluminium laqué gris anthracite (semblable à la teinte RAL 7015)
Aluminium laqué noir (semblable à la teinte RAL 9004)
Aluminium laqué vert olive (réf. coloris "Polyuréthane vert olive P008")

Notes:

Attention: les dimensions et les finitions marquées par un point d'exclamation (!) ont des délais de production plus longs (environ 6 semaines à partir de la date de la commande).

Emballages renforcés, voir intérieur de la couverture.

Code	Longueur	Pieds	Plateau	colis m ³ Kg
			Bois	
01THK43	200-240-280 (!)	Laqué		1 0,5 91



THIN-K BOIS

Fixe - Profondeur 100 cm

Finition pieds:

Acier laqué gris aluminium (semblable à la teinte RAL 7042)
Acier laqué blanc (semblable à la teinte RAL 9016)
Acier laqué gris sable (semblable à la teinte RAL 9002)
Acier laqué gris anthracite (semblable à la teinte RAL 7015)
Acier laqué noir (semblable à la teinte RAL 9004)
Acier laqué vert olive (réf. coloris "Polyuréthane vert olive P008")

Finition plateau/pieds détails extérieurs:

Bois aspect chêne européen
Bois aspect noyer
Bois aspect chêne teinté noir

Notes:

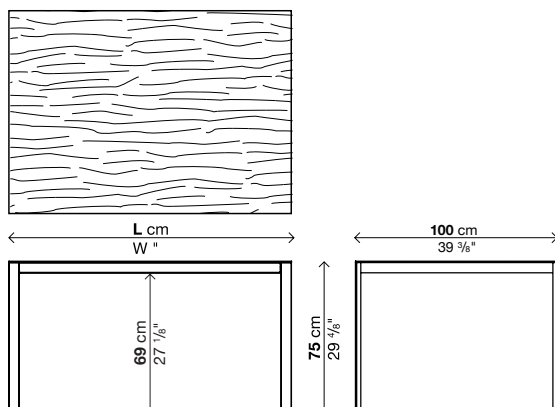
Attention: les dimensions et les finitions marquées par un point d'exclamation (!) ont des délais de production plus longs (environ 6 semaines à partir de la date de la commande).

Emballages renforcés, voir intérieur de la couverture.

Code	Longueur	Pieds	Plateau	colis	m ³	Kg
			Bois			
01THK43F	200 (!)	Laqué		1	0,5	66
01THK44F	220 (!)	Laqué		1	0,55	80
01THK45F	240 (!)	Laqué		1	0,59	86
01THK46F	260 (!)	Laqué		1	0,64	91
01THK47F	280 (!)	Laqué		1	0,68	97
01THK48F	295 (!)	Laqué		1	0,73	101

Optionals

Code	Description	colis	m ³	Kg
02RET11	Câblage, matière plastique	1	0,07	1
02VER01	Vertèbre, méthacrylate opaline	1	0,01	1,5
02CPU09	Support CPU, méthacrylate opaline	1	0,14	5,5
	Passe-câbles, voir page 320	-	-	-



THIN-K BOIS

Fixe - Profondeur 120 cm

Finition pieds:

Acier laqué gris aluminium (semblable à la teinte RAL 7042)
Acier laqué blanc (semblable à la teinte RAL 9016)
Acier laqué gris sable (semblable à la teinte RAL 9002)
Acier laqué gris anthracite (semblable à la teinte RAL 7015)
Acier laqué noir (semblable à la teinte RAL 9004)
Acier laqué vert olive (réf. coloris "Polyuréthane vert olive P008")

Finition plateau/pieds détails extérieurs:

Bois aspect chêne européen
Bois aspect noyer
Bois aspect chêne teinté noir

Notes:

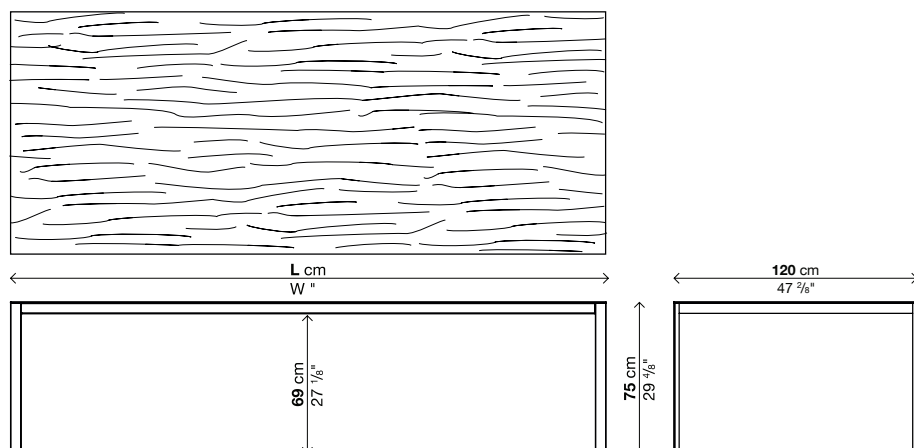
Attention: les dimensions et les finitions marquées par un point d'exclamation (!) ont des délais de production plus longs (environ 6 semaines à partir de la date de la commande).

Emballages renforcés, voir intérieur de la couverture.

Code	Longueur	Pieds	Plateau	colis	m ³	Kg
			Bois			
01THK49F	240 (!)	Laqué		1	0,69	110
01THK50F	260 (!)	Laqué		1	0,75	118
01THK51F	280 (!)	Laqué		1	0,8	125
01THK52F	295 (!)	Laqué		1	0,86	131

Optionals

Code	Description	colis	m ³	Kg
02RET08	Câblage, matière plastique	1	0,07	1
02VER01	Vertèbre, méthacrylate opaline	1	0,01	1,5
	Passe-câbles, voir page 320	-	-	-



THIN-K VERRE

Extensible - Profondeur 80 cm

Finition pieds:

Acier laqué gris aluminium (semblable à la teinte RAL 7042)

Acier laqué blanc (semblable à la teinte RAL 9016)

Acier laqué noir (semblable à la teinte RAL 9004)

Finition plateau/pieds détails extérieurs:

Verre brillant coloris: extra white, gris anthracite, noir, titane

Verre mat coloris: extra white, gris anthracite, noir, titane

Finition des rallonges:

Aluminium laqué gris aluminium (semblable à la teinte RAL 7042)

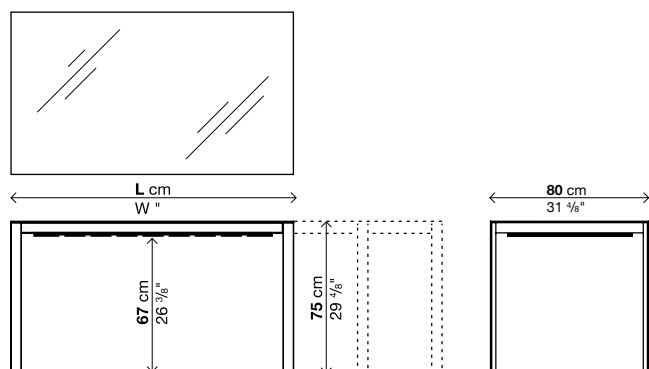
Aluminium laqué blanc (semblable à la teinte RAL 9016)

Aluminium laqué noir (semblable à la teinte RAL 9004)

Notes:

Emballages renforcés, voir intérieur de la couverture.

Code	Longueur	Pieds	Plateau		colis	m ²	Kg
			Verre brillant	Verre mat			
01THK11	123-163-203	Laqué			1	0,27	54
01THK12	150-190-230	Laqué			1	0,32	62



THIN-K VERRE

Fixe - Profondeur 80 cm

Finition pieds:

Acier laqué gris aluminium (semblable à la teinte RAL 7042)

Acier laqué blanc (semblable à la teinte RAL 9016)

Acier laqué noir (semblable à la teinte RAL 9004)

Notes:

Emballages renforcés, voir intérieur de la couverture.

Finition plateau/pieds détails extérieurs:

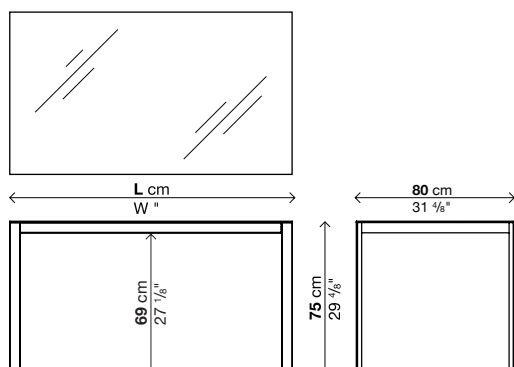
Verre brillant coloris: extra white, gris anthracite, noir, titane

Verre mat coloris: extra white, gris anthracite, noir, titane

Code	Longueur	Pieds	Plateau		colis	m ²	Kg
			Verre brillant	Verre mat			
01THK11F	123	Laqué			1	0,27	39
01THK12F	150	Laqué			1	0,32	44

Optionals

Code	Description	colis	m ²	Kg
02RET09	Câblage, matière plastique	1	0,07	1
02VER01	Vertèbre, méthacrylate opaline	1	0,01	1,5
02CPU07	Support CPU, méthacrylate opaline	1	0,14	5,5
	Passe-câbles, voir page 320	-	-	-



THIN-K VERRE

Extensible - Profondeur 90 cm

Finition pieds:

Acier laqué gris aluminium (semblable à la teinte RAL 7042)

Acier laqué blanc (semblable à la teinte RAL 9016)

Acier laqué noir (semblable à la teinte RAL 9004)

Finition plateau/pieds détails extérieurs:

Verre brillant coloris: extra white, gris anthracite, noir, titane

Verre mat coloris: extra white, gris anthracite, noir, titane

Finition des rallonges:

Aluminium laqué gris aluminium (semblable à la teinte RAL 7042)

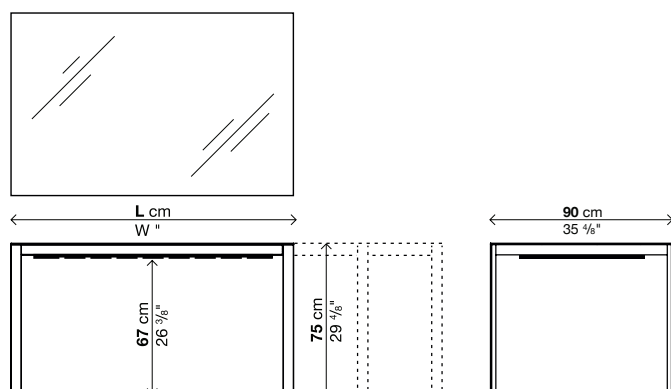
Aluminium laqué blanc (semblable à la teinte RAL 9016)

Aluminium laqué noir (semblable à la teinte RAL 9004)

Notes:

Emballages renforcés, voir intérieur de la couverture.

Code	Longueur	Pieds	Plateau		colis	m ²	Kg
			Verre brillant	Verre mat			
01THK15	150-190-231	Laqué			1	0,36	66
01THK14	170-210-250	Laqué			1	0,37	76



THIN-K VERRE

Fixe - Profondeur 90 cm

Finition pieds:

Acier laqué gris aluminium (semblable à la teinte RAL 7042)

Acier laqué blanc (semblable à la teinte RAL 9016)

Acier laqué noir (semblable à la teinte RAL 9004)

Notes:

Emballages renforcés, voir intérieur de la couverture.

Finition plateau/pieds détails extérieurs:

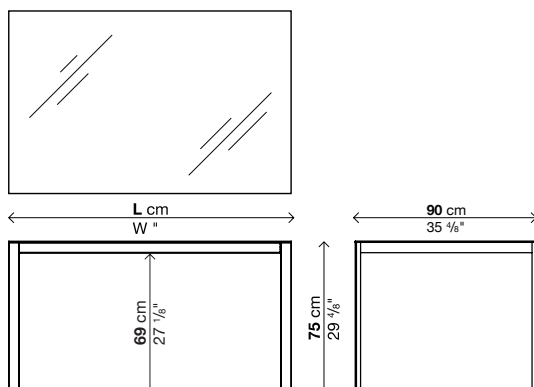
Verre brillant coloris: extra white, gris anthracite, noir, titane

Verre mat coloris: extra white, gris anthracite, noir, titane

Code	Longueur	Pieds	Plateau		colis	m ³	Kg
			Verre brillant	Verre mat			
01THK15F	150	Laqué			1	0,36	47
01THK14F	170	Laqué			1	0,37	53

Optionals

Code	Description	colis	m ³	Kg
02RET10	Câblage, matière plastique	1	0,07	1
02VER01	Vertèbre, méthacrylate opaline	1	0,01	1,5
02CPU08	Support CPU, méthacrylate opaline	1	0,14	5,5
	Passe-câbles, voir page 320	-	-	-



THIN-K

Passé-câbles

Finition:

Aluminium anodisé
Aluminium laqué blanc
Aluminium laqué noir

Notes:

Seules les tables en version fixe et ayant des plateaux en aluminium ou en bois peuvent être équipées de passé-câbles (aucun passé-câbles ne peut être installé sur les plateaux en verre).

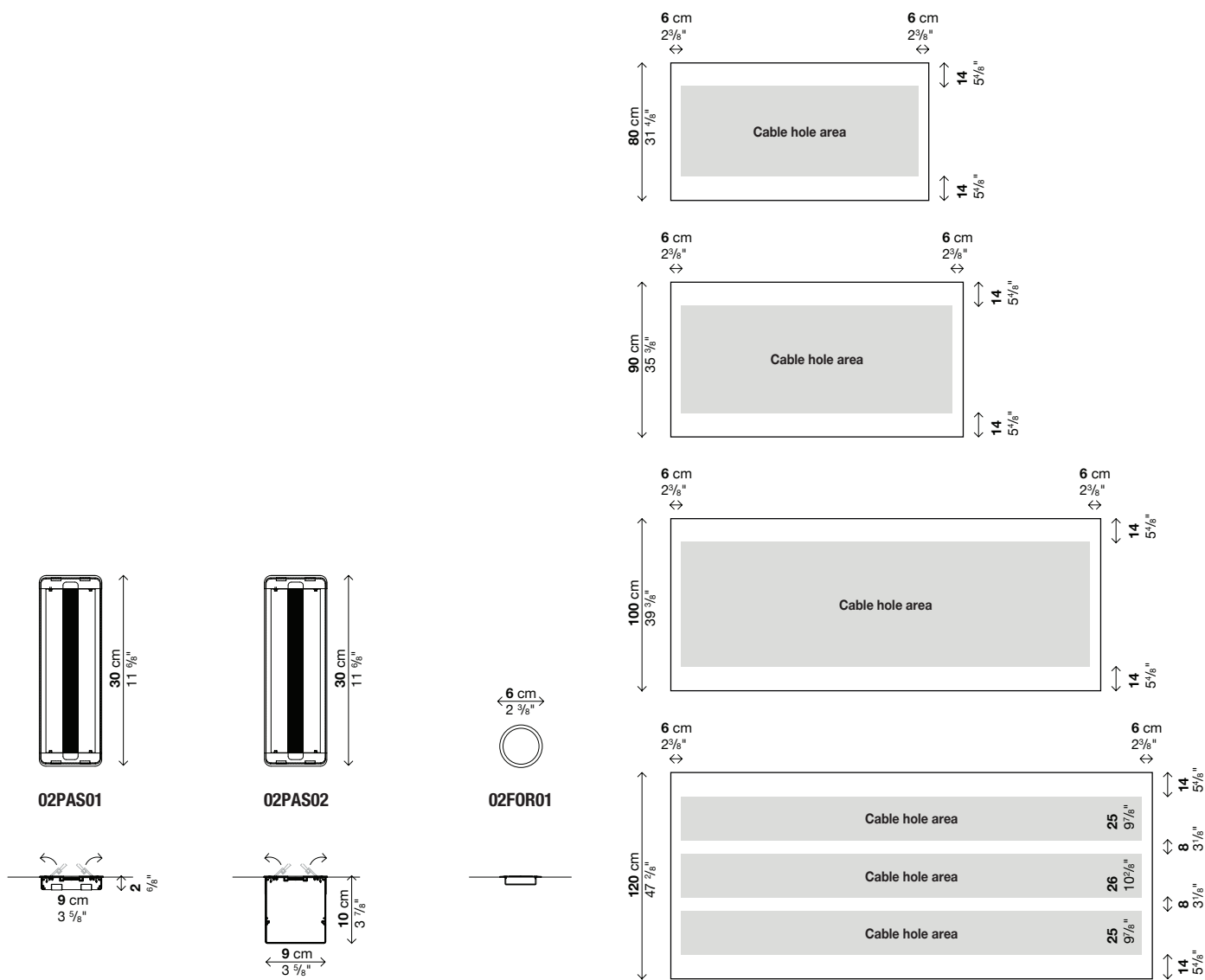
La réalisation de l'ouverture passé-câbles sur le plateau est comprise dans le prix.

Fournir un dessin technique détaillé indiquant la position souhaitée du passé-câbles qui devra impérativement se trouver à l'intérieur des zones illustrées ci-dessous.

Possibilité de prévoir plusieurs passé-câbles par table.

Le passé-câbles peut être installé soit parallèle à la longueur du plateau, soit perpendiculaire (excepté sur les tables prof. 120 cm où la position est impérativement en sens parallèle).

Code	Description	Finitions		colis	m ³	Kg
		Aluminium anodisé	Laqué			
02PAS01	Rectangular cable duct 30 x 9 cm			-	-	0,5
02PAS02	Passé-câbles rectangulaire (30 x 9 cm) avec bac sous-plateau aluminium anodisé ou laqué			-	-	0,8
02FOR01	Ouverture passé-câbles Ø6 cm	-		-	-	-



THIN-K

Dimensiones

Prof. 80 cm
Depth 31 4/8"

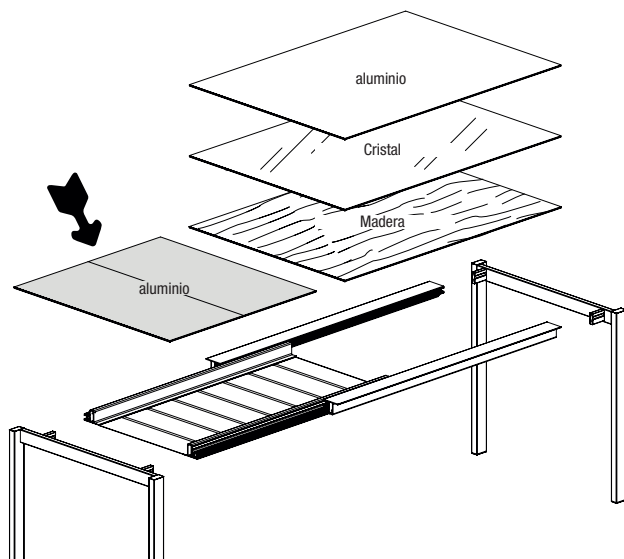
80	80 cm 31 4/8"	→ Aluminio
	123 cm 48 3/8"	→ Aluminio → Cristal → Madera
	123/163/203 cm 48 3/8/64 1/8/79"	→ Aluminio → Cristal → Madera
	150 cm 59"	→ Aluminio → Cristal → Madera
	150/190/230 cm 59/74 7/8/90 1/2"	→ Aluminio → Cristal → Madera

Prof. 90 cm
Depth 35 3/8"

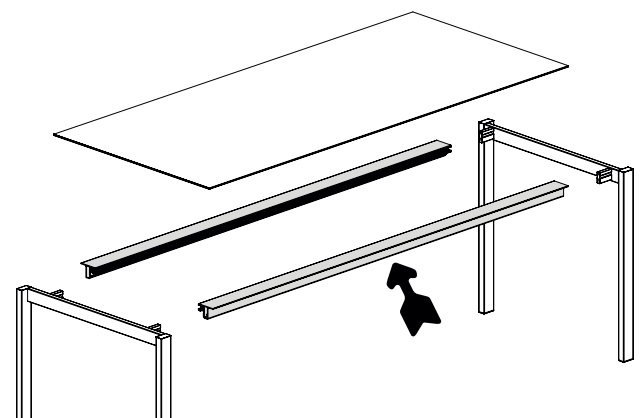
90	150 cm 59"	→ Aluminio → Cristal
	150/190/230 cm 59/74 7/8/90 1/2"	→ Aluminio → Cristal
	170 cm 66 7/8"	→ Aluminio → Cristal → Madera
	170/210/250 cm 66 7/8/82 3/4/98 3/8"	→ Aluminio → Cristal → Madera

Prof. 100 cm
Depth 39 3/8"

100	200 cm 78 3/4"	→ Aluminio → Madera
	200/240/280 cm 78 3/4/94 1/2/110 2/8"	→ Aluminio → Madera
	220 cm 86 5/8"	→ Aluminio → Madera
	240 cm 94 4/8"	→ Aluminio → Madera
	260 cm 102 3/8"	→ Aluminio → Madera
	280 cm 110 2/8"	→ Aluminio → Madera
	295 cm 116 1/8"	→ Aluminio → Madera



En las mesas Thin-K de la versión extensible las prolongaciones son siempre de aluminio barnizado al polvo (incluso en las versiones con sobre de cristal o madera).



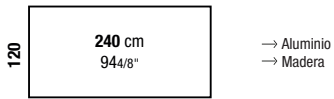
En las mesas Thin-K de hasta 200 cm de longitud con sobre de aluminio, madera o cristal las barras presentes bajo el sobre son de aluminio anodizado.

En las mesas Thin-K con más de 200 cm de longitud con sobre de aluminio, las barras presentes bajo el sobre están barnizadas en el mismo color que el sobre.

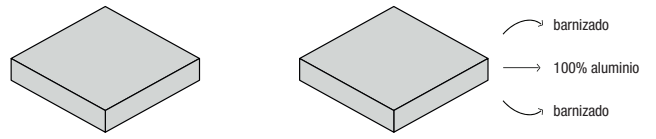
En las mesas Thin-K con más de 200 cm de longitud con sobre de "Roble europeo" o "Nogal" las barras presentes bajo el sobre son de aluminio anodizado. En caso de sobre de "Roble teñido negro" las barras presentes bajo el sobre están barnizadas en color negro.

Sobres Esp. 6 mm

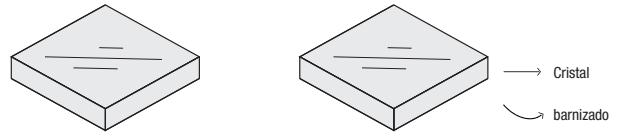
Prof. 120 cm
Depth 47²/₈"



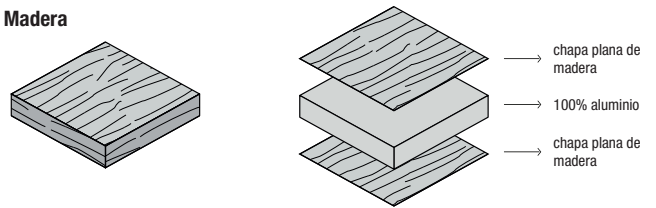
Aluminio



Cristal



Madera



THIN-K ALUMINIUM

Extensible - Profundidad 80 cm

Acabado patas:

Acero barnizado gris aluminio (parecido al RAL 7042)
Acero barnizado blanco (parecido al RAL 9016)
Acero barnizado gris arena (parecido al RAL 9002)
Acero barnizado gris antracita (parecido al RAL 7015)
Acero barnizado negro (parecido al RAL 9004)
Acero barnizado verde oliva (ref. color "Poliuretano verde oliva P008")

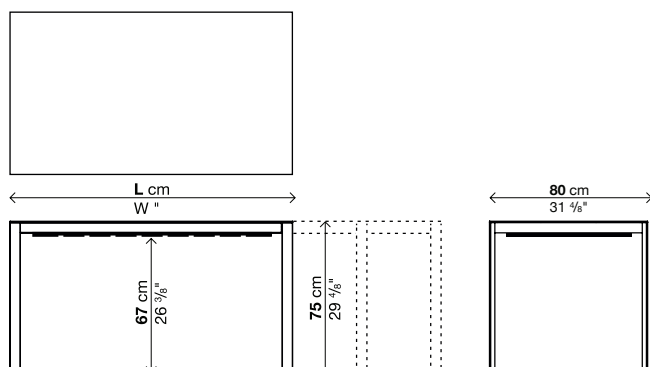
Notas:

Embalajes reforzados, ver lado interno de la portada.

Acabado sobre/patas detalles externos/prolongaciones:

Aluminio barnizado gris aluminio (parecido al RAL 7042)
Aluminio barnizado blanco (parecido al RAL 9016)
Aluminio barnizado gris arena (parecido al RAL 9002)
Aluminio barnizado gris antracita (parecido al RAL 7015)
Aluminio barnizado negro (parecido al RAL 9004)
Aluminio barnizado verde oliva (ref. color "Poliuretano verde oliva P008")

Código	Longitud	Patas	Sobre	pack	m ³	Kg
			Aluminio barnizado			
01THK01	123-163-203	Barnizado		1	0,27	54
01THK02	150-190-230	Barnizado		1	0,32	62



THIN-K ALUMINIUM

Fija - Profundidad 80 cm

Acabado patas:

Acero barnizado gris aluminio (parecido al RAL 7042)
Acero barnizado blanco (parecido al RAL 9016)
Acero barnizado gris arena (parecido al RAL 9002)
Acero barnizado gris antracita (parecido al RAL 7015)
Acero barnizado negro (parecido al RAL 9004)
Acero barnizado verde oliva (ref. color "Poliuretano verde oliva P008")

Notas:

Embalajes reforzados, ver lado interno de la portada.

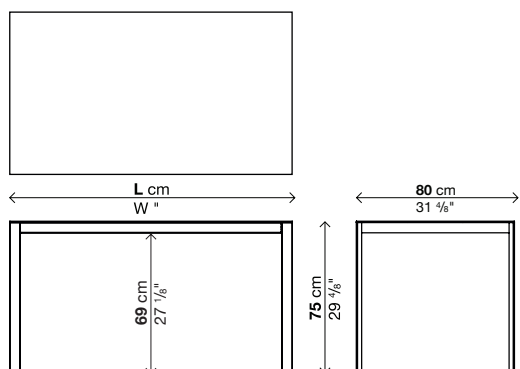
Acabado sobre/patas detalles externos:

Aluminio barnizado gris aluminio (parecido al RAL 7042)
Aluminio barnizado blanco (parecido al RAL 9016)
Aluminio barnizado gris arena (parecido al RAL 9002)
Aluminio barnizado gris antracita (parecido al RAL 7015)
Aluminio barnizado negro (parecido al RAL 9004)
Aluminio barnizado verde oliva (ref. color "Poliuretano verde oliva P008")

Código	Longitud	Patas	Sobre	pack	m ³	Kg
			Aluminio barnizado			
01THK03F	80	Barnizado		1	0,18	29
01THK01F	123	Barnizado		1	0,27	39
01THK02F	150	Barnizado		1	0,32	44

Opcionales

Código	Descripción	pack	m ³	Kg
02RET09	Red de cable de plástico	1	0,07	1
02VER01	Vértebra, metacrilato opalino	1	0,01	1,5
02CPU07	Porta CPU, metacrilato opalino	1	0,14	5,5
	Pasacables, ver página 320	-	-	-



THIN-K ALUMINIUM

Extensible - Profundidad 90 cm

Acabado patas:

Acero barnizado gris aluminio (parecido al RAL 7042)
Acero barnizado blanco (parecido al RAL 9016)
Acero barnizado gris arena (parecido al RAL 9002)
Acero barnizado gris antracita (parecido al RAL 7015)
Acero barnizado negro (parecido al RAL 9004)
Acero barnizado verde oliva (ref. color "Poliuretano verde oliva P008")

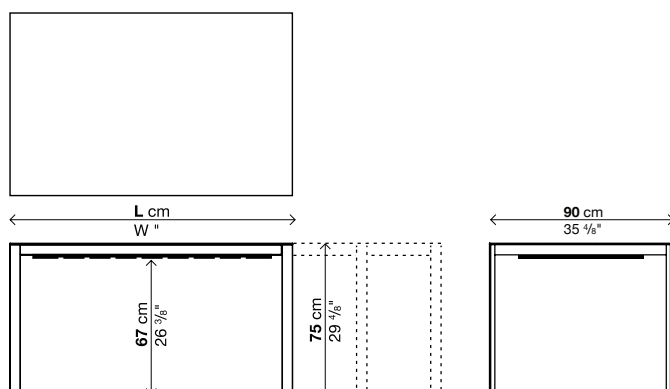
Notas:

Embalajes reforzados, ver lado interno de la portada.

Acabado sobre/patas detalles externos/prolongaciones:

Aluminio barnizado gris aluminio (parecido al RAL 7042)
Aluminio barnizado blanco (parecido al RAL 9016)
Aluminio barnizado gris arena (parecido al RAL 9002)
Aluminio barnizado gris antracita (parecido al RAL 7015)
Aluminio barnizado negro (parecido al RAL 9004)
Aluminio barnizado verde oliva (ref. color "Poliuretano verde oliva P008")

Código	Longitud	Patas	Sobre	pack	m ²	Kg
			Aluminio barnizado			
01THK10	150-190-230	Barnizado		1	0,36	65
01THK04	170-210-250	Barnizado		1	0,37	76



THIN-K ALUMINIUM

Fija - Profundidad 90 cm

Acabado patas:

Acero barnizado gris aluminio (parecido al RAL 7042)
Acero barnizado blanco (parecido al RAL 9016)
Acero barnizado gris arena (parecido al RAL 9002)
Acero barnizado gris antracita (parecido al RAL 7015)
Acero barnizado negro (parecido al RAL 9004)
Acero barnizado verde oliva (ref. color "Poliuretano verde oliva P008")

Notas:

Embalajes reforzados, ver lado interno de la portada.

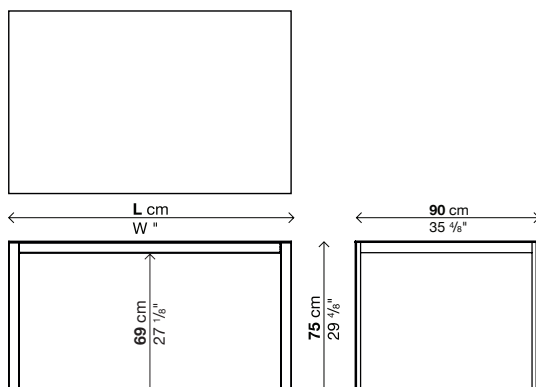
Acabado sobre/patas detalles externos:

Aluminio barnizado gris aluminio (parecido al RAL 7042)
Aluminio barnizado blanco (parecido al RAL 9016)
Aluminio barnizado gris arena (parecido al RAL 9002)
Aluminio barnizado gris antracita (parecido al RAL 7015)
Aluminio barnizado negro (parecido al RAL 9004)
Aluminio barnizado verde oliva (ref. color "Poliuretano verde oliva P008")

Código	Longitud	Patas	Sobre	pack	m ³	Kg
			Aluminio barnizado			
01THK10F	150	Barnizado		1	0,36	47
01THK04F	170	Barnizado		1	0,37	53

Opcionales

Código	Descripción	pack	m ³	Kg
02RET10	Red de cable de plástico	1	0,07	1
02VER01	Vértebra, metacrilato opalino	1	0,01	1,5
02CPU08	Porta CPU, metacrilato opalino	1	0,14	5,5
	Pasacables, ver página 320	-	-	-



THIN-K ALUMINIUM

Extensible - Profundidad 100 cm

Acabado patas:

Acero barnizado gris aluminio (parecido al RAL 7042)
Acero barnizado blanco (parecido al RAL 9016)
Acero barnizado gris arena (parecido al RAL 9002)
Acero barnizado gris antracita (parecido al RAL 7015)
Acero barnizado negro (parecido al RAL 9004)
Acero barnizado verde oliva (ref. color "Poliuretano verde oliva P008")

Acabado sobre/patas detalles externos/prolongaciones:

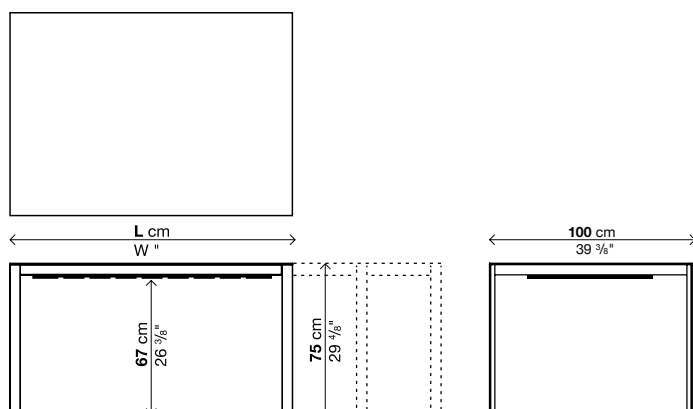
Aluminio barnizado gris aluminio (parecido al RAL 7042)
Aluminio barnizado blanco (parecido al RAL 9016)
Aluminio barnizado gris arena (parecido al RAL 9002)
Aluminio barnizado gris antracita (parecido al RAL 7015)
Aluminio barnizado negro (parecido al RAL 9004)
Aluminio barnizado verde oliva (ref. color "Poliuretano verde oliva P008")

Notas:

Atención: las medidas o los acabados marcados con (!) tienen los tiempos de producción más largos, de aproximadamente 6 semanas desde la fecha del pedido.

Embalajes reforzados, ver lado interno de la portada.

Código	Longitud	Patas	Sobre	pack	m ²	Kg
			Aluminio barnizado			
01THK05	200-240-280 (!)	Barnizado		1	0.5	91



THIN-K ALUMINIUM

Fija - Profundidad 100 cm

Acabado patas:

Acero barnizado gris aluminio (parecido al RAL 7042)
Acero barnizado blanco (parecido al RAL 9016)
Acero barnizado gris arena (parecido al RAL 9002)
Acero barnizado gris antracita (parecido al RAL 7015)
Acero barnizado negro (parecido al RAL 9004)
Acero barnizado verde oliva (ref. color "Poliuretano verde oliva P008")

Acabado sobre/patas detalles externos:

Aluminio barnizado gris aluminio (parecido al RAL 7042)
Aluminio barnizado blanco (parecido al RAL 9016)
Aluminio barnizado gris arena (parecido al RAL 9002)
Aluminio barnizado gris antracita (parecido al RAL 7015)
Aluminio barnizado negro (parecido al RAL 9004)
Aluminio barnizado verde oliva (ref. color "Poliuretano verde oliva P008")

Notas:

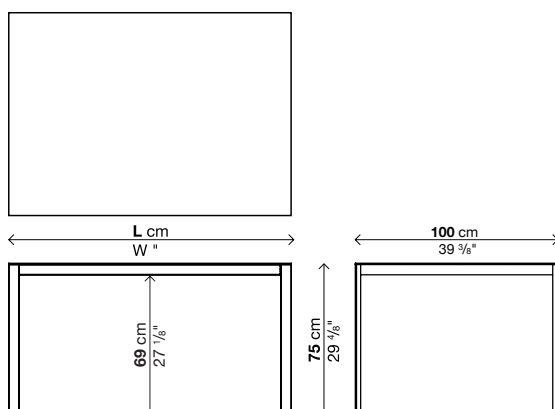
Atención: las medidas o los acabados marcados con (!) tienen los tiempos de producción más largos, de aproximadamente 6 semanas desde la fecha del pedido.

Embalajes reforzados, ver lado interno de la portada.

Código	Longitud	Patas	Sobre	pack	m ³	Kg
			Aluminio barnizado			
01THK05F	200 (!)	Barnizado		1	0,5	66
01THK08F	220 (!)	Barnizado		1	0,55	80
01THK09F	240 (!)	Barnizado		1	0,59	86
01THK30F	260 (!)	Barnizado		1	0,64	91
01THK31F	280 (!)	Barnizado		1	0,68	97
01THK07F	295 (!)	Barnizado		1	0,73	101

Opcionales

Código	Descripción	pack	m ³	Kg
02RET11	Red de cable de plástico	1	0,07	1
02VER01	Vértebra, metacrilato opalino	1	0,01	1,5
02CPU09	Porta CPU, metacrilato opalino	1	0,14	5,5
	Pasacables, ver página 320	-	-	-



THIN-K ALUMINIUM

Fija - Profundidad 120 cm

Acabado patas:

Acero barnizado gris aluminio (parecido al RAL 7042)
Acero barnizado blanco (parecido al RAL 9016)
Acero barnizado gris arena (parecido al RAL 9002)
Acero barnizado gris antracita (parecido al RAL 7015)
Acero barnizado negro (parecido al RAL 9004)
Acero barnizado verde oliva (ref. color "Poliuretano verde oliva P008")

Acabado sobre/patas detalles externos:

Aluminio barnizado gris aluminio (parecido al RAL 7042)
Aluminio barnizado blanco (parecido al RAL 9016)
Aluminio barnizado gris arena (parecido al RAL 9002)
Aluminio barnizado gris antracita (parecido al RAL 7015)
Aluminio barnizado negro (parecido al RAL 9004)
Aluminio barnizado verde oliva (ref. color "Poliuretano verde oliva P008")

Notas:

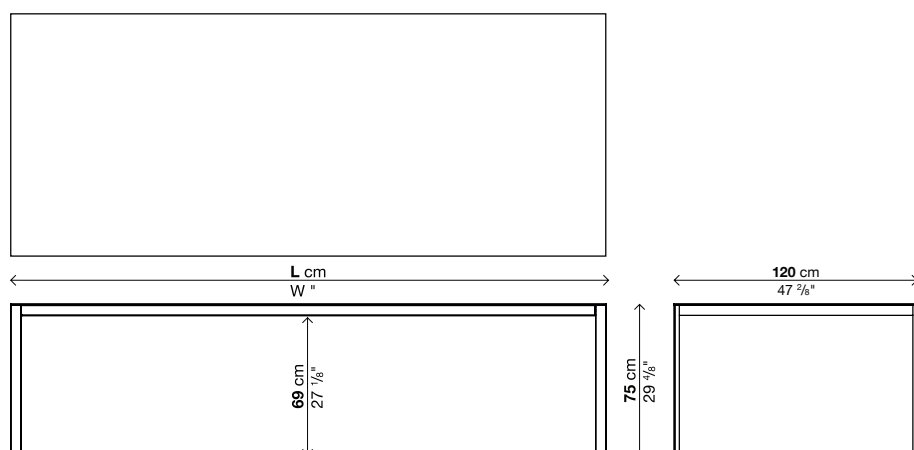
Atención: las medidas o los acabados marcados con (!) tienen los tiempos de producción más largos, de aproximadamente 6 semanas desde la fecha del pedido.

Embalajes reforzados, ver lado interno de la portada.

Código	Longitud	Patas	Sobre	pack	m ³	Kg
			Aluminio barnizado			
01THK32F	240 (!)	Barnizado		1	0,69	110
01THK33F	260 (!)	Barnizado		1	0,75	118
01THK34F	280 (!)	Barnizado		1	0,8	125
01THK35F	295 (!)	Barnizado		1	0,86	131

Opcionales

Código	Descripción		pack	m ³	Kg
02RET08	Red de cable de plástico		1	0,07	1
02VER01	Vértebra, metacrilato opalino		1	0,01	1,5
	Pasacables, ver página 320		-	-	-



THIN-K MADERA

Extensible - Profundidad 80 cm

Acabado patas:

Acero barnizado gris aluminio (parecido al RAL 7042)
Acero barnizado blanco (parecido al RAL 9016)
Acero barnizado gris arena (parecido al RAL 9002)
Acero barnizado gris antracita (parecido al RAL 7015)
Acero barnizado negro (parecido al RAL 9004)
Acero barnizado verde oliva (ref. color "Poliuretano verde oliva P008")

Acabado sobre/patas detalles externos:

Madera efecto roble europeo
Madera efecto nogal
Madera efecto roble teñido negro

Acabado prolongaciones:

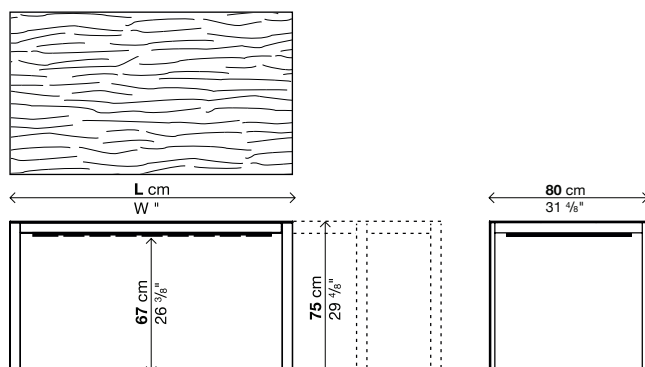
Aluminio barnizado gris aluminio (parecido al RAL 7042)
Aluminio barnizado blanco (parecido al RAL 9016)
Aluminio barnizado gris arena (parecido al RAL 9002)
Aluminio barnizado gris antracita (parecido al RAL 7015)
Aluminio barnizado negro (parecido al RAL 9004)
Aluminio barnizado verde oliva (ref. color "Poliuretano verde oliva P008")

Notas:

Atención: las medidas o los acabados marcados con (!) tienen los tiempos de producción más largos, de aproximadamente 6 semanas desde la fecha del pedido.

Embalajes reforzados, ver lado interno de la portada.

Código	Longitud	Patas	Sobre	pack	m ³	Kg
			Madera			
01THK40	123-163-203 (!)	Barnizado		1	0,27	54
01THK41	150-190-230 (!)	Barnizado		1	0,32	62



THIN-K MADERA

Fija - Profundidad 80 cm

Acabado patas:

Acero barnizado gris aluminio (parecido al RAL 7042)

Acero barnizado blanco (parecido al RAL 9016)

Acero barnizado gris arena (parecido al RAL 9002)

Acero barnizado gris antracita (parecido al RAL 7015)

Acero barnizado negro (parecido al RAL 9004)

Acero barnizado verde oliva (ref. color "Poliuretano verde oliva P008")

Acabado sobre/patas detalles externos:

Madera efecto roble europeo

Madera efecto nogal

Madera efecto roble teñido negro

Notas:

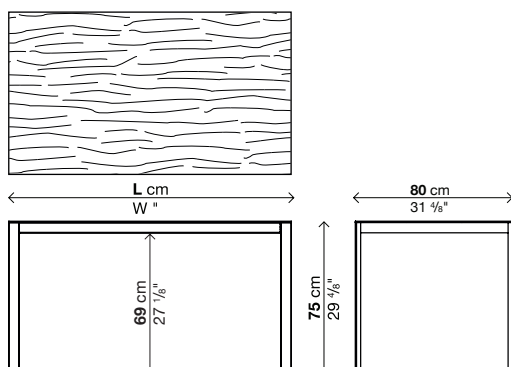
Atención: las medidas o los acabados marcados con (!) tienen los tiempos de producción más largos, de aproximadamente 6 semanas desde la fecha del pedido.

Embalajes reforzados, ver lado interno de la portada.

Código	Longitud	Patas	Sobre	pack	m ³	Kg
			Madera			
01THK40F	123 (!)	Barnizado		1	0,27	39
01THK41F	150 (!)	Barnizado		1	0,32	44

Opcionales

Código	Descripción	pack	m ³	Kg
02RET09	Red de cable de plástico	1	0,07	1
02VER01	Vértebra, metacrilato opalino	1	0,01	1,5
02CPU07	Porta CPU, metacrilato opalino	1	0,14	5,5
	Pasacables, ver página 320	-	-	-



THIN-K MADERA

Extensible - Profundidad 90 cm

Acabado patas:

Acero barnizado gris aluminio (parecido al RAL 7042)
Acero barnizado blanco (parecido al RAL 9016)
Acero barnizado gris arena (parecido al RAL 9002)
Acero barnizado gris antracita (parecido al RAL 7015)
Acero barnizado negro (parecido al RAL 9004)
Acero barnizado verde oliva (ref. color "Poliuretano verde oliva P008")

Acabado sobre/patas detalles externos:

Madera efecto roble europeo
Madera efecto nogal
Madera efecto roble teñido negro

Acabado prolongaciones:

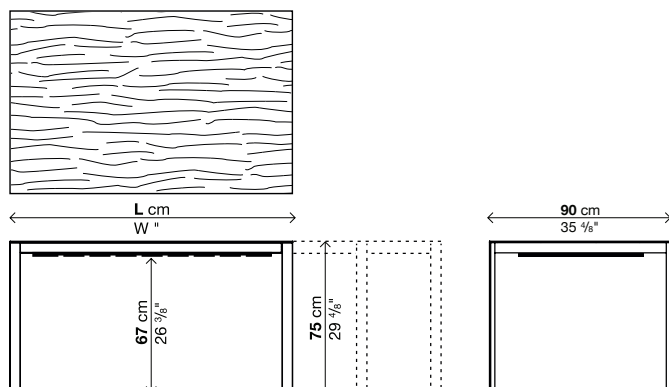
Aluminio barnizado gris aluminio (parecido al RAL 7042)
Aluminio barnizado blanco (parecido al RAL 9016)
Aluminio barnizado gris arena (parecido al RAL 9002)
Aluminio barnizado gris antracita (parecido al RAL 7015)
Aluminio barnizado negro (parecido al RAL 9004)
Aluminio barnizado verde oliva (ref. color "Poliuretano verde oliva P008")

Notas:

Atención: las medidas o los acabados marcados con (!) tienen los tiempos de producción más largos, de aproximadamente 6 semanas desde la fecha del pedido.

Embalajes reforzados, ver lado interno de la portada.

Código	Longitud	Patas	Sobre	pack	m ³	Kg
			Madera			
01THK42	170-210-250 (!)	Barnizado		1	0,37	76



THIN-K MADERA

Fija - Profundidad 90 cm

Acabado patas:

Acero barnizado gris aluminio (parecido al RAL 7042)
 Acero barnizado blanco (parecido al RAL 9016)
 Acero barnizado gris arena (parecido al RAL 9002)
 Acero barnizado gris antracita (parecido al RAL 7015)
 Acero barnizado negro (parecido al RAL 9004)
 Acero barnizado verde oliva (ref. color "Poliuretano verde oliva P008")

Acabado sobre/patas detalles externos:

Madera efecto roble europeo
 Madera efecto nogal
 Madera efecto roble teñido negro

Notas:

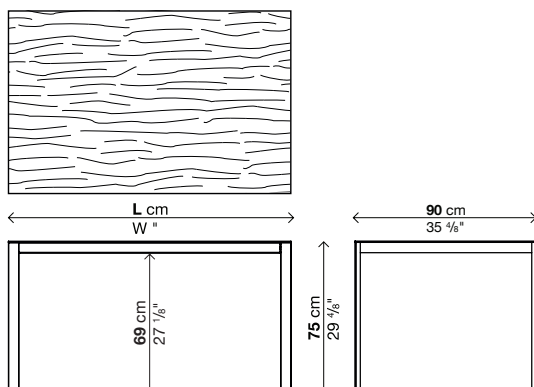
Atención: las medidas o los acabados marcados con (!) tienen los tiempos de producción más largos, de aproximadamente 6 semanas desde la fecha del pedido.

Embalajes reforzados, ver lado interno de la portada.

Código	Longitud	Patas	Sobre	pack	m ³	Kg
			Madera			
01THK42F	170 (!)	Barnizado		1	0,37	53

Opcionales

Código	Descripción	pack	m ³	Kg
02RET10	Red de cable de plástico	1	0,07	1
02VERO1	Vértebra, metacrilato opalino	1	0,01	1,5
02CPU08	Porta CPU, metacrilato opalino	1	0,14	5,5
	Pasacables, ver página 320	-	-	-



THIN-K MADERA

Extensible - Profundidad 100 cm

Acabado patas:

Acero barnizado gris aluminio (parecido al RAL 7042)
Acero barnizado blanco (parecido al RAL 9016)
Acero barnizado gris arena (parecido al RAL 9002)
Acero barnizado gris antracita (parecido al RAL 7015)
Acero barnizado negro (parecido al RAL 9004)
Acero barnizado verde oliva (ref. color "Poliuretano verde oliva P008")

Acabado sobre/patas detalles externos:

Madera efecto roble europeo
Madera efecto nogal
Madera efecto roble teñido negro

Acabado prolongaciones:

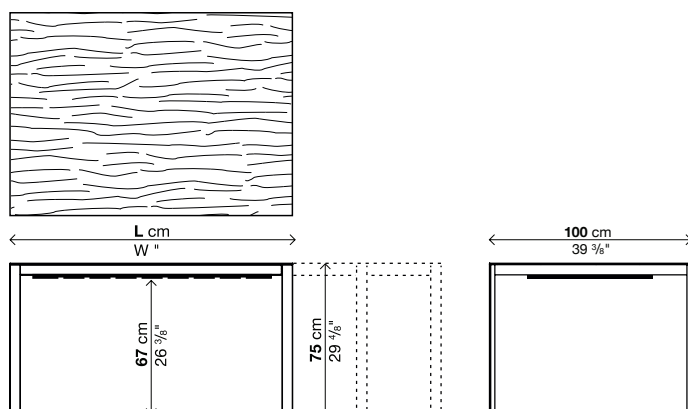
Aluminio barnizado gris aluminio (parecido al RAL 7042)
Aluminio barnizado blanco (parecido al RAL 9016)
Aluminio barnizado gris arena (parecido al RAL 9002)
Aluminio barnizado gris antracita (parecido al RAL 7015)
Aluminio barnizado negro (parecido al RAL 9004)
Aluminio barnizado verde oliva (ref. color "Poliuretano verde oliva P008")

Notas:

Atención: las medidas o los acabados marcados con (!) tienen los tiempos de producción más largos, de aproximadamente 6 semanas desde la fecha del pedido.

Embalajes reforzados, ver lado interno de la portada.

Código	Longitud	Patas	Sobre	pack	m ³	Kg
			Madera			
01THK43	200-240-280 (!)	Barnizado		1	0,5	91



THIN-K MADERA

Fija - Profundidad 100 cm

Acabado patas:

Acero barnizado gris aluminio (parecido al RAL 7042)
 Acero barnizado blanco (parecido al RAL 9016)
 Acero barnizado gris arena (parecido al RAL 9002)
 Acero barnizado gris antracita (parecido al RAL 7015)
 Acero barnizado negro (parecido al RAL 9004)
 Acero barnizado verde oliva (ref. color "Poliuretano verde oliva P008")

Acabado sobre/patas detalles externos:

Madera efecto roble europeo
 Madera efecto nogal
 Madera efecto roble teñido negro

Notas:

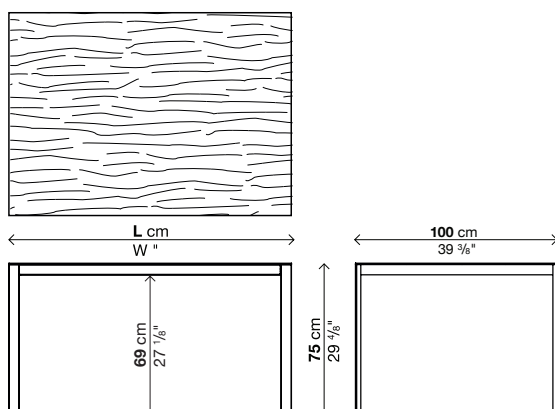
Atención: las medidas o los acabados marcados con (!) tienen los tiempos de producción más largos, de aproximadamente 6 semanas desde la fecha del pedido.

Embalajes reforzados, ver lado interno de la portada.

Código	Longitud	Patas	Sobre	pack	m ³	Kg
			Madera			
01THK43F	200 (!)	Barnizado		1	0,5	66
01THK44F	220 (!)	Barnizado		1	0,55	80
01THK45F	240 (!)	Barnizado		1	0,59	86
01THK46F	260 (!)	Barnizado		1	0,64	91
01THK47F	280 (!)	Barnizado		1	0,68	97
01THK48F	295 (!)	Barnizado		1	0,73	101

Opcionales

Código	Descripción	pack	m ³	Kg
02RET11	Red de cable de plástico	1	0,07	1
02VER01	Vértebra, metacrilato opalino	1	0,01	1,5
02CPU09	Porta CPU, metacrilato opalino	1	0,14	5,5
	Pasacables, ver página 320	-	-	-



THIN-K MADERA

Fija - Profundidad 120 cm

Acabado patas:

Acero barnizado gris aluminio (parecido al RAL 7042)
 Acero barnizado blanco (parecido al RAL 9016)
 Acero barnizado gris arena (parecido al RAL 9002)
 Acero barnizado gris antracita (parecido al RAL 7015)
 Acero barnizado negro (parecido al RAL 9004)
 Acero barnizado verde oliva (ref. color "Poliuretano verde oliva P008")

Acabado sobre/patas detalles externos:

Madera efecto roble europeo
 Madera efecto nogal
 Madera efecto roble teñido negro

Notas:

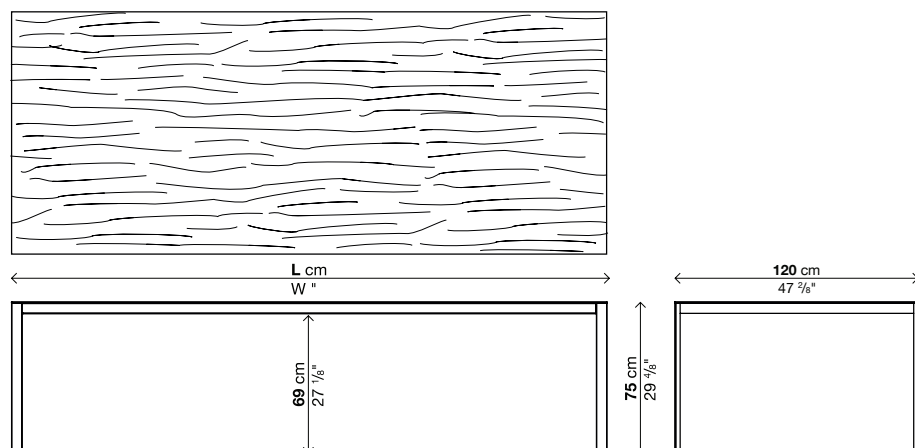
Atención: las medidas o los acabados marcados con (!) tienen los tiempos de producción más largos, de aproximadamente 6 semanas desde la fecha del pedido.

Embalajes reforzados, ver lado interno de la portada.

Código	Longitud	Patas	Sobre	pack	m ³	Kg
			Madera			
01THK49F	240 (!)	Barnizado		1	0,69	110
01THK50F	260 (!)	Barnizado		1	0,75	118
01THK51F	280 (!)	Barnizado		1	0,8	125
01THK52F	295 (!)	Barnizado		1	0,86	131

Opcionales

Código	Descripción	pack	m ³	Kg
02RET08	Red de cable de plástico	1	0,07	1
02VER01	Vértebra, metacrilato opalino	1	0,01	1,5
	Pasacables, ver página 320	-	-	-



THIN-K CRISTAL

Extensible - Profundidad 80 cm

Acabado patas:

Acero barnizado gris aluminio (parecido al RAL 7042)

Acero barnizado blanco (parecido al RAL 9016)

Acero barnizado negro (parecido al RAL 9004)

Acabado sobre/patas detalles externos:

Cristal brillante colores: extra white, gris antracita, negro, titanio

Cristal mate colores: extra white, gris antracita, negro, titanio

Acabado prolongaciones:

Aluminio barnizado gris aluminio (parecido al RAL 7042)

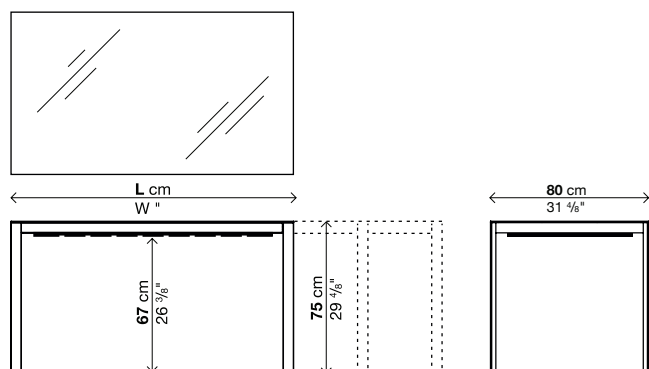
Aluminio barnizado blanco (parecido al RAL 9016)

Aluminio barnizado negro (parecido al RAL 9004)

Notas:

Embalajes reforzados, ver lado interno de la portada.

Código	Longitud	Patas	Sobre		pack	m ²	Kg
			Cristal brillante	Cristal mate			
01THK11	123-163-203	Barnizado			1	0,27	54
01THK12	150-190-230	Barnizado			1	0,32	62



THIN-K CRISTAL

Fija - Profundidad 80 cm

Acabado patas:

Acero barnizado gris aluminio (parecido al RAL 7042)

Acero barnizado blanco (parecido al RAL 9016)

Acero barnizado negro (parecido al RAL 9004)

Notas:

Embalajes reforzados, ver lado interno de la portada.

Acabado sobre/patas detalles externos:

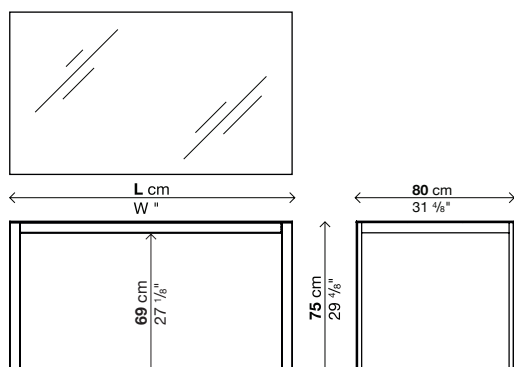
Cristal brillante colores: extra white, gris antracita, negro, titanio

Cristal mate colores: extra white, gris antracita, negro, titanio

Código	Longitud	Patas	Sobre		pack	m ²	Kg
			Cristal brillante	Cristal mate			
01THK11F	123	Barnizado			1	0,27	39
01THK12F	150	Barnizado			1	0,32	44

Opcionales

Código	Descripción	pack	m ²	Kg
02RET09	Red de cable de plástico	1	0,07	1
02VER01	Vértebra, metacrilato opalino	1	0,01	1,5
02CPU07	Porta CPU, metacrilato opalino	1	0,14	5,5
	Pasacables, ver página 320	-	-	-



THIN-K CRISTAL

Extensible - Profundidad 90 cm

Acabado patas:

Acero barnizado gris aluminio (parecido al RAL 7042)

Acero barnizado blanco (parecido al RAL 9016)

Acero barnizado negro (parecido al RAL 9004)

Acabado sobre/patas detalles externos:

Cristal brillante colores: extra white, gris antracita, negro, titanio

Cristal mate colores: extra white, gris antracita, negro, titanio

Acabado prolongaciones:

Aluminio barnizado gris aluminio (parecido al RAL 7042)

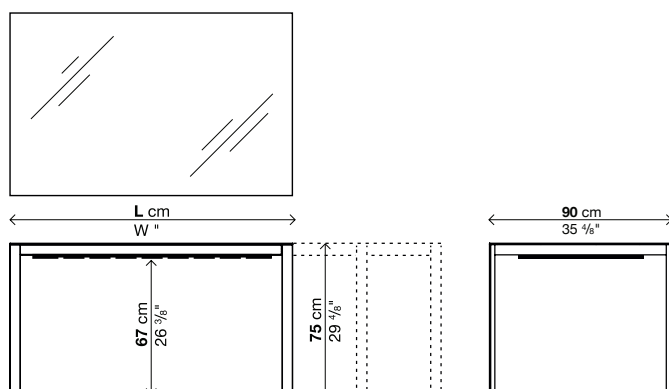
Aluminio barnizado blanco (parecido al RAL 9016)

Aluminio barnizado negro (parecido al RAL 9004)

Notas:

Embalajes reforzados, ver lado interno de la portada.

Código	Longitud	Patas	Sobre		pack	m ²	Kg
			Cristal brillante	Cristal mate			
01THK15	150-190-231	Barnizado			1	0,36	66
01THK14	170-210-250	Barnizado			1	0,37	76



THIN-K CRISTAL

Fija - Profundidad 90 cm

Acabado patas:

Acero barnizado gris aluminio (parecido al RAL 7042)

Acero barnizado blanco (parecido al RAL 9016)

Acero barnizado negro (parecido al RAL 9004)

Notas:

Embalajes reforzados, ver lado interno de la portada.

Acabado sobre/patas detalles externos:

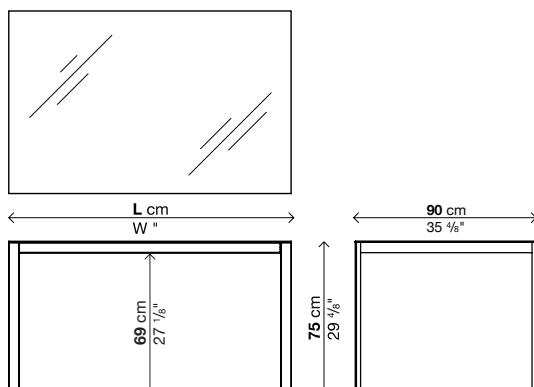
Cristal brillante colores: extra white, gris antracita, negro, titanio

Cristal mate colores: extra white, gris antracita, negro, titanio

Código	Longitud	Patas	Sobre		pack	m ³	Kg
			Cristal brillante	Cristal mate			
01THK15F	150	Barnizado			1	0,36	47
01THK14F	170	Barnizado			1	0,37	53

Opcionales

Código	Descripción	pack	m ³	Kg
02RET10	Red de cable de plástico	1	0,07	1
02VER01	Vértebra, metacrilato opalino	1	0,01	1,5
02CPU08	Porta CPU, metacrilato opalino	1	0,14	5,5
	Pasacables, ver página 320	-	-	-



THIN-K

Pasacables

Acabado:

Aluminio anodizado
Aluminio barnizado blanco
Aluminio barnizado negro

Notas:

Solo pueden equiparse con pasacables las mesas en versión fija y con sobres de aluminio o madera (en los sobres de cristal no se utiliza el pasacables).

El precio incluye el corte del sobre.

Proporcionar un dibujo técnico con la posición deseada del pasacables, prestando atención para colocarlo en el interior de las áreas indicadas abajo.

Puede haber más de un pasacables para cada mesa.

El pasacables puede colocarse en posición paralela o perpendicular respecto al lado largo (exceptuando las mesas Prof. 120 cm, donde deben colocarse obligatoriamente en sentido paralelo).

Código	Descripción	Acabado		pack	m³	Kg
		Aluminio anodizado	Barnizado			
02PAS01	Pasacables rectangular 30 x 9 cm			-	-	0,5
02PAS02	Pasacables rectangular (30 x 9 cm) con bandeja bajo el sobre aluminio anodizado o barnizado			-	-	0,8
02FOR01	Orificio pasacables Ø6 cm	-		-	-	-

