

**Choose the language**

**English**

**Italiano**

**Deutsch**

**Français**

**Español**

# SUSHI

## Sizes

### Prof. 80 cm Depth 314/8"

80	80 cm 314/8"	→ Alucompact® → Pure-white → Glass
	125 cm 49 2/8"	→ Alucompact® → Pure-white → Glass
	125/165/205 cm 49 2/8/65/80 3/4"	→ Alucompact® → Pure-white → Glass
	150 cm 59"	→ Alucompact® → Pure-white → Glass
	150/190/230 cm 59/74 7/8/90 4/8"	→ Alucompact® → Pure-white → Glass
	177 cm 69 3/4"	→ Alucompact® → Pure-white → Glass
	177/217/257 cm 69 3/4/85 4/8/101 2/8"	→ Alucompact® → Pure-white → Glass
	200 cm 78 3/4"	→ Alucompact® → Pure-white → Glass
	220 cm 86 5/8"	→ Alucompact® → Pure-white → Glass
	240 cm 94 4/8"	→ Alucompact® → Pure-white → Glass
	260 cm 102 3/8"	→ Alucompact® → Pure-white → Glass
	280 cm 110 2/8"	→ Alucompact® → Pure-white → Glass
	300 cm 118 1/8"	→ Alucompact® → Pure-white → Glass

### Prof. 90 cm Depth 353/8"

90	90 cm 35 3/8"	→ Alucompact® → Pure-white → Glass
	125 cm 49 2/8"	→ Alucompact® → Pure-white → Glass
	150 cm 59"	→ Alucompact® → Pure-white → Fenix-NTM® → Glass → DEKTON®
	150/187/224 cm 59/73 5/8/88 2/8"	→ Alucompact® → Pure-white → Fenix-NTM® → Glass
	150/187/224 cm 59/73 5/8/88 2/8"	→ DEKTON®
	177 cm 69 3/4"	→ Alucompact® → Pure-white → Fenix-NTM® → Glass → DEKTON®
	177/212/247/282 cm 69 5/8/83 4/8/97 2/8/111"	→ Wood
	177/214/251/288 cm 69 3/4/84 2/8/98 7/8/113 3/8"	→ Alucompact® → Pure-white → Fenix-NTM® → Glass
	177/214/251 cm 69 3/4/84 2/8/98 7/8"	→ DEKTON®
	200 cm 78 6/4"	→ Alucompact® → Pure-white → Fenix-NTM® → Glass → DEKTON® → Wood
	200/235/270/305 cm 78 6/8/92 4/8/106 2/8/120 1/8"	→ Wood
	200/237/274 cm 78 6/4/93 1/4/107 7/8"	→ Alucompact® → Pure-white → Fenix-NTM® → Glass
	200/237/274 cm 78 6/4/93 1/4/107 7/8"	→ DEKTON®
	220 cm 86 5/8"	→ Alucompact® → Pure-white → Fenix-NTM® → Glass → Wood
	220/257/294 cm 86 5/8/101 2/8/116 1/8"	→ Alucompact® → Pure-white → Fenix-NTM® → Glass
	220/264/308 cm 86 5/8/103 7/8/121 2/8"	→ Wood
	240 cm 94 4/8"	→ Alucompact® → Pure-white → Glass → Wood
	260 cm 102 3/8"	→ Alucompact® → Pure-white → Glass → Wood

90	280 cm 110 2/8"	→ Alucompact® → Pure-white → Glass → Wood
	300 cm 118 1/8"	→ Alucompact® → Pure-white → Glass → Wood
100	100 cm 39 3/8"	→ Alucompact® → Pure-white → Glass
	100/170 cm 39 3/8/67"	→ Alucompact® → Pure-white → Glass
	150 cm 59"	→ Alucompact® → Pure-white → Glass
	177 cm 69 3/4"	→ Alucompact® → Pure-white → Fenix-NTM® → Glass → DEKTON®
	177/224/271 cm 69 3/4/88 5/8/106 3/4"	→ Alucompact® → Pure-white → Fenix-NTM® → Glass
	177/214/251 cm 69 3/4/84 2/8/98 7/8"	→ DEKTON®
	177/212/247/282 cm 69 3/4/83 4/8/97 2/8/111"	→ Wood
	200 cm 78 3/4"	→ Alucompact® → Pure-white → Fenix-NTM® → Glass → DEKTON® → Wood
	200/247/294 cm 78 3/4/97 2/8/115 3/4"	→ Alucompact® → Pure-white → Fenix-NTM® → Glass
	200/237/274 cm 78 3/4/93 1/4/107 7/8"	→ DEKTON®
	200/235/270/305 cm 78 3/4/92 4/8/106 2/8/120 1/8"	→ Wood
	220 cm 86 5/8"	→ Alucompact® → Pure-white → Fenix-NTM® → Glass → Wood
	220/267/314 cm 86 5/8/105 1/8/123 3/4"	→ Alucompact® → Pure-white → Fenix-NTM® → Glass
	220/264/308 cm 86 5/8/103 7/8/121 2/8"	→ Wood

\* = 3" additional extensions (on request)

# Tops

100

240 cm  
94 4/8"

- Alucompact®
- Pure-white
- Glass
- DEKTON®
- Wood

260 cm  
102 3/8"

- Alucompact®
- Pure-white
- Glass
- Wood

280 cm  
110 2/8"

- Alucompact®
- Pure-white
- Glass
- DEKTON®
- Wood

300 cm  
118 1/8"

- Alucompact®
- Pure-white
- Glass
- Wood

## Prof. 124 cm Depth 48 7/8"

124

220 cm  
86 5/8"

- Alucompact®
- Pure-white
- Glass

240 cm  
94 4/8"

- Alucompact®
- Pure-white
- Glass

288 cm  
113 3/8"

- Alucompact®
- Pure-white
- Glass

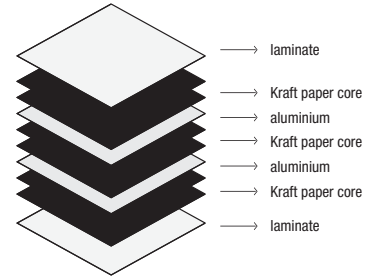
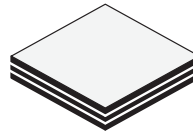
## Prof. 140 cm Depth 55 1/8"

140

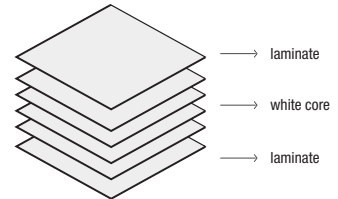
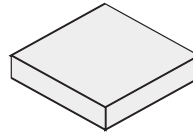
140 cm  
55 1/8"

- Glass

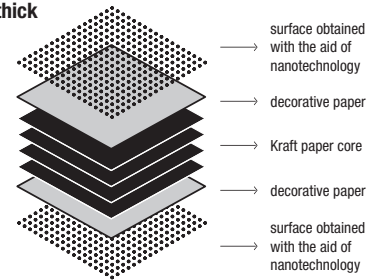
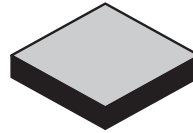
### Alucompact® 10 mm thick



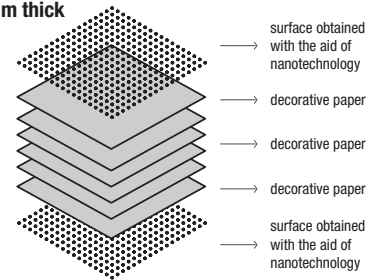
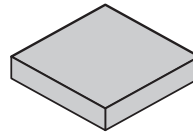
### Pure-white 10 mm thick



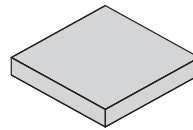
### Fenix-NTM® black edge 10 mm thick



### Fenix-NTM® coloured edge 10 mm thick

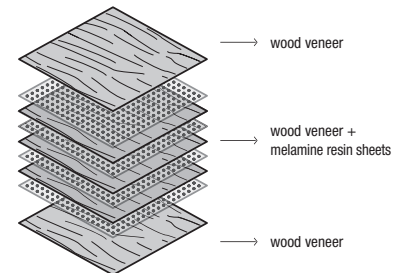
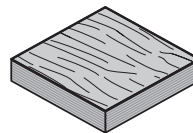


### DEKTON® by Cosentino 8 mm thick

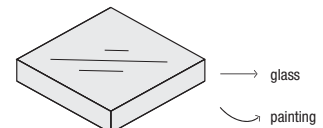
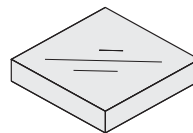


Dekton is a sophisticated mix of raw materials used to create glass, latest generation ceramic and top-quality quartz surfaces.

### Wood 10 mm thick



### Glass 10 mm thick



# SUSHI ALUCOMPACT® / PURE-WHITE

## Extensible - Depth 80 cm

### Leg finish:

Anodised aluminium

White lacquered aluminium (similar to RAL 9016)

"Alucompact® sand grey" lacquered aluminium (similar to RAL 9002)

"Alucompact® anthracite grey" lacquered aluminium (similar to RAL 7015)

Black lacquered aluminium (similar to RAL 9004)

### Finish of top/extensions:

Alucompact® laminate (white, sand grey, anthracite grey, black)

---

Pure-white laminate

### Note:

For tables with codes marked with an asterisk (\*), a third extension can be added to further increase the length.

Important: sizes and finishes marked with (!) require longer production lead time, about 6 weeks from the date of the order.

Tables that extend to more than 250 cm have a top that slightly bends, which complies with accepted quality standards.

Reinforced packaging, see inside cover.

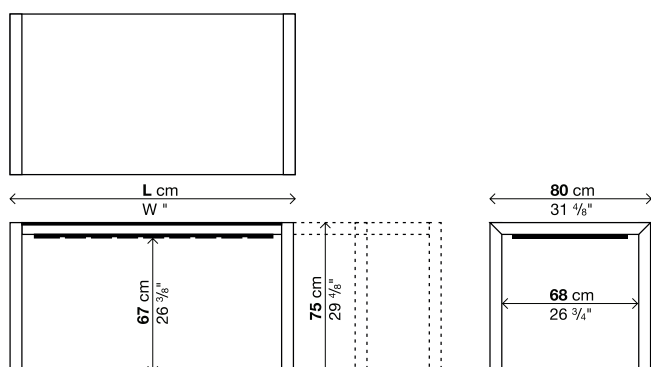
Code	Lenght	Legs	Top		pack	m <sup>3</sup>	Kg
			Alucompact®	Pure-white (!)			
01SUS01	125-165-205	Aluminium			3	0,32	55
		Lacquered					
01SUS03*	150-190-230	Aluminium			3	0,37	61
		Lacquered					
01SUS08*	177-217-257	Aluminium			3	0,42	67
		Lacquered					

### (\*) 3<sup>rd</sup> additional extension

Code	Lenght	Top		pack	m <sup>3</sup>	Kg
		Alucompact®	Pure-white			
50SUS5A	33 cm			1	0,03	6

### Optionals

Code	Description	pack	m <sup>3</sup>	Kg
02GTA02	Legs height cut to size	-	-	-



# SUSHI ALUcompact® / PURE-WHITE

## Fixed - Depth 80 cm

### Leg finish:

Anodised aluminium  
 White lacquered aluminium (similar to RAL 9016)  
 "Alucompact® sand grey" lacquered aluminium (similar to RAL 9002)  
 "Alucompact® anthracite grey" lacquered aluminium (similar to RAL 7015)  
 Black lacquered aluminium (similar to RAL 9004)

### Finish of top:

Alucompact® laminate (white, sand grey, anthracite grey, black)

---  
 Pure-white laminate

### Note:

Important: sizes and finishes marked with (!) require longer production lead time, about 6 weeks from the date of the order.

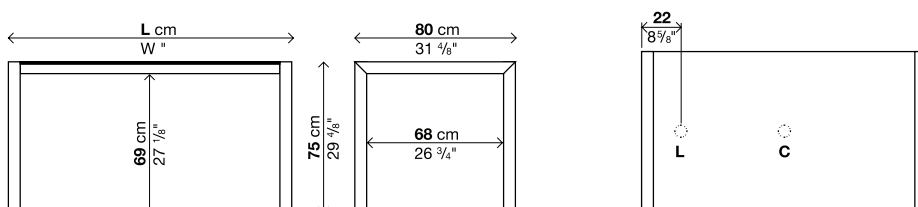
Tables that extend to more than 250 cm have a top that slightly bends, which complies with accepted quality standards.

Reinforced packaging, see inside cover.

Code	Lenght	Legs	Top		pack	m³	Kg
			Alucompact®	Pure-white			
01SUS10F	80 (!)	Aluminium			1	0,18	26
		Lacquered					
01SUS01F	125 (!)	Aluminium			1	0,27	35
		Lacquered					
01SUS03F	150 (!)	Aluminium			1	0,32	41
		Lacquered					
01SUS32F	177 (!)	Aluminium			1	0,37	47
		Lacquered					
01SUS34F	200 (!)	Aluminium			1	0,41	52
		Lacquered					
01SUS38F	220 (!)	Aluminium			1	0,45	56
		Lacquered					
01SUS43F	240 (!)	Aluminium			1	0,49	60
		Lacquered					
01SUS48F	260 (!)	Aluminium			1	0,53	65
		Lacquered					
01NOR51F	280 (!)	Aluminium			1	0,57	68
		Lacquered					
01NOR55F	300 (!)	Aluminium			1	0,61	72
		Lacquered					

### Optionals

Code	Description	pack	m³	Kg
02GTA02	Legs height cut to size	-	-	-
02FOR01	Lateral or central cable hole Ø6	-	-	-
02RET01	Plastic cable mesh	1	0,07	1
02VER01	Vertebra, opal white methacrylate	1	0,007	1,5
02CPU01	CPU unit, opal white methacrylate	1	0,14	5,5



# SUSHI ALUCOMPACT® / PURE-WHITE / FENIX-NTM®

## Extensible - Depth 90 cm

### Leg finish:

- Anodised aluminium
- White lacquered aluminium (similar to RAL 9016)
- "Alucompact® sand grey" lacquered aluminium (similar to RAL 9002)
- "Alucompact® anthracite grey" lacquered aluminium (similar to RAL 7015)
- Black lacquered aluminium (similar to RAL 9004)
- Olive green lacquered aluminium (colour reference "Olive green polyurethane P008")

### Finish of top/extensions:

- Alucompact® laminate (white, sand grey, anthracite grey, black)
- 
- Pure-white laminate
- 
- Fenix-NTM® black edge (white Kos 0032, London grey 0718, Bromo grey 0724, Ingo black 0720)
- 
- Fenix-NTM® coloured edge (white Kos 0032, London grey 0718)

### Note:

For tables with codes marked with an asterisk (\*), a third extension can be added to further increase the length.

Important: sizes and finishes marked with (!) require longer production lead time, about 6 weeks from the date of the order.

Tables that extend to more than 250 cm have a top that slightly bends, which complies with accepted quality standards.

Reinforced packaging, see inside cover.

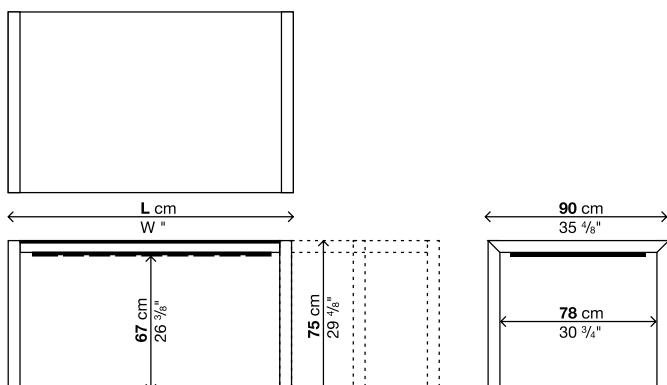
Code	Lenght	Legs	Top				pack	m³	Kg
			Alucompact®	Fenix-NTM® black edge	Pure-white	Fenix-NTM® coloured edge			
01SUS07*	150-187-224	Aluminium					3	0,41	71
		Lacquered							
01SUS06	177-214-251-288 3 <sup>rd</sup> standard extension	Aluminium					4	0,5	81
		Lacquered							
01SUS09*	200-237-274	Aluminium					3	0,51	82
		Lacquered							
01SUS35*	220-257-294	Aluminium					3	0,55	88
		Lacquered							

### (\*) 3<sup>rd</sup> additional extension

Code	Lenght	Top				pack	m³	Kg
		Alucompact®	Fenix-NTM® black edge	Pure-white	Fenix-NTM® coloured edge			
50SUS2A	37,5 cm					1	0,03	6,5

### Optionals

Code	Description	pack	m³	Kg
02GTA02	Legs height cut to size	-	-	-



# SUSHI ALUCOMPACT® / PURE-WHITE / FENIX-NTM®

## Fixed - Depth 90 cm

### Leg finish:

Anodised aluminium  
 White lacquered aluminium (similar to RAL 9016)  
 "Alucompact® sand grey" lacquered aluminium (similar to RAL 9002)  
 "Alucompact® anthracite grey" lacquered aluminium (similar to RAL 7015)  
 Black lacquered aluminium (similar to RAL 9004)  
 Olive green lacquered aluminium (colour reference "Olive green polyurethane PO08")

### Finish of top:

Alucompact® laminate (white, sand grey, anthracite grey, black)  
 Pure-white laminate

---

Fenix-NTM® black edge (white Kos 0032, London grey 0718, Bromo grey 0724, Ingo black 0720)  
 Fenix-NTM® coloured edge (white Kos 0032, London grey 0718)

### Note:

Important: sizes and finishes marked with (!) require longer production lead time, about 6 weeks from the date of the order.

Tables that extend to more than 250 cm have a top that slightly bends, which complies with accepted quality standards.

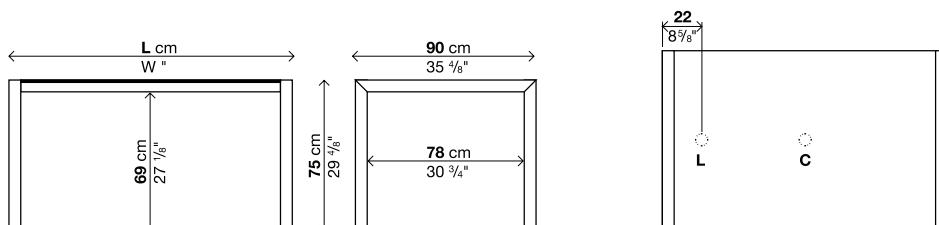
Table L. 280 and 300 cm have an under-top bars as a central support, therefore any cable hole cutouts cannot be centrally positioned in depth but must be slightly shifted.

Reinforced packaging, see inside cover.

Code	Lenght	Legs	Top				pack	m³	Kg
			Alucompact®	Fenix-NTM® black edge	Pure-white	Fenix-NTM® coloured edge			
<b>01SUS57F</b>	90	Aluminium		-		-	1	0,23	30
		Lacquered		-		-			
<b>01SUS59F</b>	125	Aluminium		-		-	1	0,3	41
		Lacquered		-		-			
<b>01SUS07F</b>	150	Aluminium					1	0,36	46
		Lacquered							
<b>01SUS06F</b>	177	Aluminium					1	0,42	52
		Lacquered							
<b>01SUS64F</b>	200	Aluminium					1	0,46	57
		Lacquered							
<b>01SUS35F</b>	220 (!)	Aluminium					1	0,5	62
		Lacquered							
<b>01SUS68F</b>	240 (!)	Aluminium		-		-	1	0,55	66
		Lacquered		-		-			
<b>01SUS70F</b>	260 (!)	Aluminium		-		-	1	0,59	71
		Lacquered		-		-			
<b>01SUS72F</b>	280 (!)	Aluminium		-		-	1	0,63	79
		Lacquered		-		-			
<b>01SUS74F</b>	300 (!)	Aluminium		-		-	1	0,67	85
		Lacquered		-		-			

### Optionals

Code	Description	pack	m³	Kg
<b>02GTA02</b>	Legs height cut to size	-	-	-
<b>02FOR01</b>	Lateral or central cable hole Ø6	-	-	-
<b>02RET02</b>	Plastic cable mesh	1	0,07	1
<b>02VER01</b>	Vertebra, opal white methacrylate	1	0,007	1,5
<b>02CPU02</b>	CPU unit, opal white methacrylate	1	0,14	5,5



# SUSHI ALUCOMPACT® / PURE-WHITE / FENIX-NTM®

## Extensible - Depth 100 cm

### Leg finish:

Anodised aluminium  
 White lacquered aluminium (similar to RAL 9016)  
 "Alucompact® sand grey" lacquered aluminium (similar to RAL 9002)  
 "Alucompact® anthracite grey" lacquered aluminium (similar to RAL 7015)  
 Black lacquered aluminium (similar to RAL 9004)  
 Olive green lacquered aluminium (colour reference "Olive green polyurethane P008")

### Note:

For tables with codes marked with an asterisk (\*), a third extension can be added to further increase the length.

Tables that extend to more than 250 cm have a top that slightly bends, which complies with accepted quality standards.

Reinforced packaging, see inside cover.

### Finish of top/extensions:

Alucompact® laminate (white, sand grey, anthracite grey, black)  
 ---  
 Pure-white laminate  
 ---  
 Fenix-NTM® black edge (white Kos 0032, London grey 0718, Bromo grey 0724, Ingo black 0720)  
 ---  
 Fenix-NTM® coloured edge (white Kos 0032, London grey 0718)

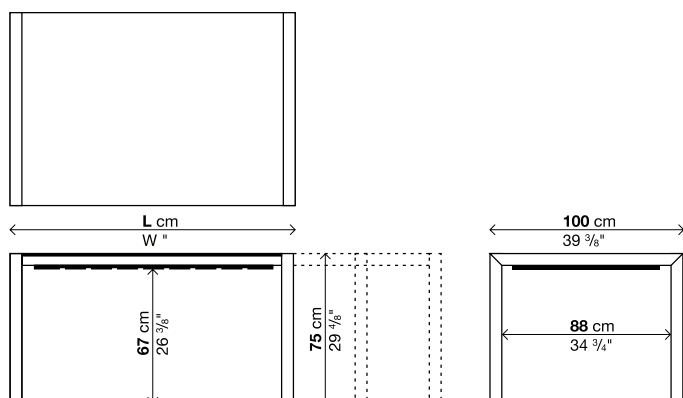
Code	Lenght	Legs	Top				pack	m <sup>3</sup>	Kg
			Alucompact®	Fenix-NTM® black edge	Pure-white	Fenix-NTM® coloured edge			
01SUS04	100-170	Aluminium		-		-	3	0,33	55
		Lacquered		-		-			
01SUS02*	177-224-271	Aluminium					3	0,52	85
		Lacquered							
01SUS36*	200-247-294	Aluminium					3	0,57	92
		Lacquered							
01SUS05*	220-267-314	Aluminium					3	0,62	98
		Lacquered							

### (\*) 3<sup>rd</sup> additional extension

Code	Lenght	Top				pack	m <sup>3</sup>	Kg
		Alucompact®	Fenix-NTM® black edge	Pure-white	Fenix-NTM® coloured edge			
50SUS6A	33 cm					1	0,03	6

### Optionals

Code	Description	pack	m <sup>3</sup>	Kg
02GTA02	Legs height cut to size	-	-	-





# SUSHI ALUcompact® / PURE-WHITE / FENIX-NTM®

## Fixed - Depth 100 cm

### Leg finish:

Anodised aluminium  
 White lacquered aluminium (similar to RAL 9016)  
 "Alucompact® sand grey" lacquered aluminium (similar to RAL 9002)  
 "Alucompact® anthracite grey" lacquered aluminium (similar to RAL 7015)  
 Black lacquered aluminium (similar to RAL 9004)  
 Olive green lacquered aluminium (colour reference "Olive green polyurethane PO08")

### Finish of top:

Alucompact® laminate (white, sand grey, anthracite grey, black)  
 Pure-white laminate  
 ---  
 Fenix-NTM® black edge (white Kos 0032, London grey 0718, Bromo grey 0724, Ingo black 0720)  
 Fenix-NTM® coloured edge (white Kos 0032, London grey 0718)

### Note:

Important: sizes and finishes marked with (!) require longer production lead time, about 6 weeks from the date of the order.

Tables that extend to more than 250 cm have a top that slightly bends, which complies with accepted quality standards.

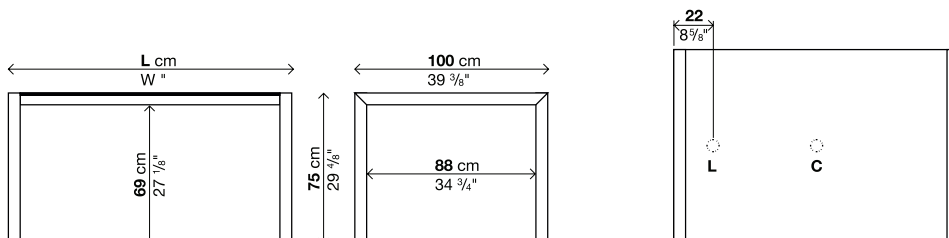
Table L. 280 and 300 cm have an under-top bars as a central support, therefore any cable hole cutouts cannot be centrally positioned in depth but must be slightly shifted.

Reinforced packaging, see inside cover.

Code	Lenght	Legs	Top				pack	m³	Kg
			Alucompact®	Fenix-NTM® black edge	Pure-white	Fenix-NTM® coloured edge			
<b>01SUS04F</b>	100	Aluminium		-		-	1	0,32	40
		Lacquered		-		-			
<b>01SUS78F</b>	150	Aluminium		-		-	1	0,39	50
		Lacquered		-		-			
<b>01SUS02F</b>	177	Aluminium					1	0,45	56
		Lacquered							
<b>01SUS08F</b>	200	Aluminium					1	0,5	62
		Lacquered							
<b>01SUS05F</b>	220	Aluminium					1	0,55	67
		Lacquered							
<b>01SUS09F</b>	240 (!)	Aluminium		-		-	1	0,6	72
		Lacquered		-		-			
<b>01SUS80F</b>	260 (!)	Aluminium		-		-	1	0,65	77
		Lacquered		-		-			
<b>01SUS82F</b>	280 (!)	Aluminium		-		-	1	0,69	85
		Lacquered		-		-			
<b>01SUS36F</b>	300 (!)	Aluminium		-		-	1	0,74	90
		Lacquered		-		-			

### Optionals

Code	Description	pack	m³	Kg
<b>02GTA02</b>	Legs height cut to size	-	-	-
<b>02FOR01</b>	Lateral or central cable hole Ø6	-	-	-
<b>02RET03</b>	Plastic cable mesh	1	0,07	1
<b>02VER01</b>	Vertebra, opal white methacrylate	1	0,007	1,5
<b>02CPU03</b>	CPU unit, opal white methacrylate	1	0,14	5,5



# SUSHI ALUCOMPACT® / PURE-WHITE

## Fixed - Depth 124 cm

### Leg finish:

Anodised aluminium  
 White lacquered aluminium (similar to RAL 9016)  
 "Alucompact® sand grey" lacquered aluminium (similar to RAL 9002)  
 "Alucompact® anthracite grey" lacquered aluminium (similar to RAL 7015)  
 Black lacquered aluminium (similar to RAL 9004)  
 Olive green lacquered aluminium (colour reference "Olive green polyurethane P008")

### Finish of top:

Alucompact® laminate (white, sand grey, anthracite grey, black)  
 ---  
 Pure-white laminate

### Note:

Important: sizes and finishes marked with (!) require longer production lead time, about 6 weeks from the date of the order.

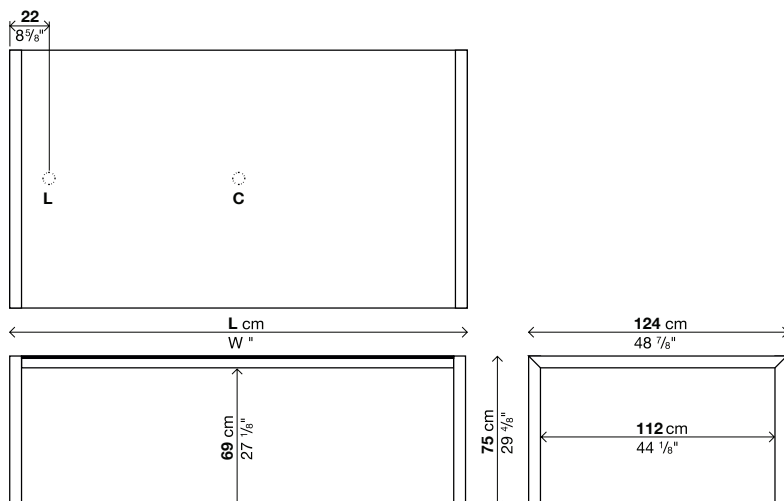
Tables that extend to more than 250 cm have a top that slightly bends, which complies with accepted quality standards.

Reinforced packaging, see inside cover.

Code	Lenght	Legs	Top		pack	m³	Kg
			Alucompact®	Pure-white			
01SUS88F	220 (!)	Aluminium			1	0,66	86
		Lacquered					
01SUS90F	240 (!)	Aluminium			1	0,72	92
		Lacquered					
01SUS92F	288 (!)	Aluminium			1	0,85	108
		Lacquered					

### Optionals

Code	Description	pack	m³	Kg
02GTA02	Legs height cut to size	-	-	-
02FOR01	Lateral or central cable hole Ø6	-	-	-
02RET04	Plastic cable mesh	1	0,07	1
02VER01	Vertebra, opal white methacrylate	1	0,007	1,5
02CPU04	CPU unit, opal white methacrylate	1	0,14	5,5



# SUSHI DEKTON® BY COSENTINO

## Extensible - Depth 90 cm

### Leg finish:

Anodised aluminium  
 White lacquered aluminium (similar to RAL 9016)  
 "Ventus grey" lacquered aluminium  
 Olive green lacquered aluminium (colour reference "Olive green polyurethane P008")

### Finish of top:

DEKTON® Zenith white  
 DEKTON® Ventus grey  
 DEKTON® Aura (digital marble)

### Finish of extensions:

White lacquered aluminium (similar to RAL 9016)  
 "Ventus grey" lacquered aluminium

### Note:

Important: the grain pattern reproduced on the surface of DEKTON® Aura (digital marble) tops is random, a special feature that makes each top unique and original. This characteristic implies possible differences to samples that are not to be considered imperfections or irregularities. Due to their random nature, uniform grain patterns cannot be requested.

Important: sizes and finishes marked with (!) require longer production lead time, about 6 weeks from the date of the order.

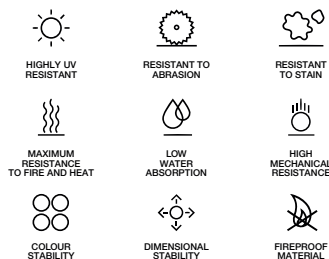
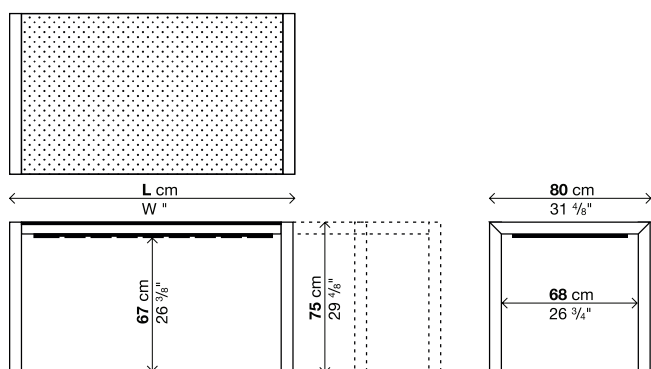
Tables that extend to more than 250 cm have a top that slightly bends, which complies with accepted quality standards.

Reinforced packaging, see inside cover.

Code	Lenght	Legs	Top	pack	m <sup>3</sup>	Kg
			DEKTON®			
01SUS07	150-187-224 (!)	Aluminium		3	0,41	89
		Lacquered				
01SUS06	177-214-251 (!)	Aluminium		3	0,5	102
		Lacquered				
01SUS09	200-237-274 (!)	Aluminium		3	0,51	105
		Lacquered				

### Optionals

Code	Description	pack	m <sup>3</sup>	Kg
02GTA02	Legs height cut to size	-	-	-



# SUSHI DEKTON® BY COSENTINO

## Fixed - Depth 90 cm

### Leg finish:

Anodised aluminium  
 White lacquered aluminium (similar to RAL 9016)  
 "Ventus grey" lacquered aluminium  
 Olive green lacquered aluminium (colour reference "Olive green polyurethane P008")

### Finish of top:

DEKTON® Zenith white  
 DEKTON® Ventus grey  
 DEKTON® Aura (digital marble)

### Note:

Important: the grain pattern reproduced on the surface of DEKTON® Aura (digital marble) tops is random, a special feature that makes each top unique and original. This characteristic implies possible differences to samples that are not to be considered imperfections or irregularities. Due to their random nature, uniform grain patterns cannot be requested.

Important: sizes and finishes marked with (!) require longer production lead time, about 6 weeks from the date of the order.

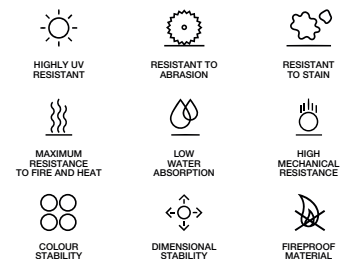
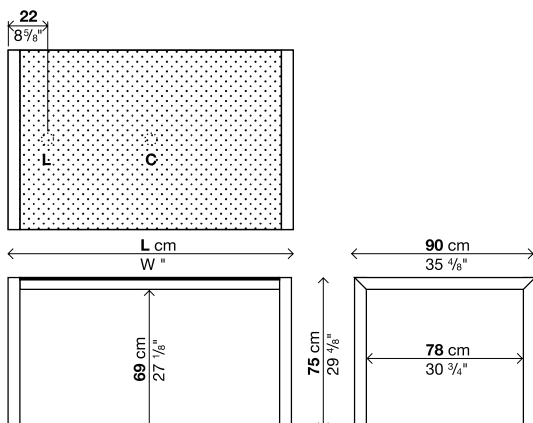
Tables that extend to more than 250 cm have a top that slightly bends, which complies with accepted quality standards.

Reinforced packaging, see inside cover.

Code	Lenght	Legs	Top	pack	m <sup>3</sup>	Kg
			DEKTON®			
<b>01SUS07F</b>	150 (!)	Aluminium		1	0,36	60
		Lacquered				
<b>01SUS06F</b>	177 (!)	Aluminium		1	0,42	69
		Lacquered				
<b>01SUS64F</b>	200 (!)	Aluminium		1	0,46	76
		Lacquered				

### Optionals

Code	Description	pack	m <sup>3</sup>	Kg
<b>02GTA02</b>	Legs height cut to size	-	-	-
<b>02RET02</b>	Plastic cable mesh	1	0,07	1
<b>02VER01</b>	Vertebra, opal white methacrylate	1	0,007	1,5
<b>02CPU02</b>	CPU unit, opal white methacrylate	1	0,14	5,5



# SUSHI DEKTON® BY COSENTINO

## Extensible - Depth 100 cm

### Leg finish:

Anodised aluminium  
 White lacquered aluminium (similar to RAL 9016)  
 "Ventus grey" lacquered aluminium  
 Olive green lacquered aluminium (colour reference "Olive green polyurethane P008")

### Finish of top:

DEKTON® Zenith white  
 DEKTON® Ventus grey  
 DEKTON® Aura (digital marble)

### Finish of extensions:

White lacquered aluminium (similar to RAL 9016)  
 "Ventus grey" lacquered aluminium

### Note:

Important: the grain pattern reproduced on the surface of DEKTON® Aura (digital marble) tops is random, a special feature that makes each top unique and original. This characteristic implies possible differences to samples that are not to be considered imperfections or irregularities. Due to their random nature, uniform grain patterns cannot be requested.

Important: sizes and finishes marked with (!) require longer production lead time, about 6 weeks from the date of the order.

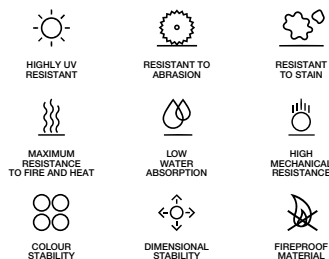
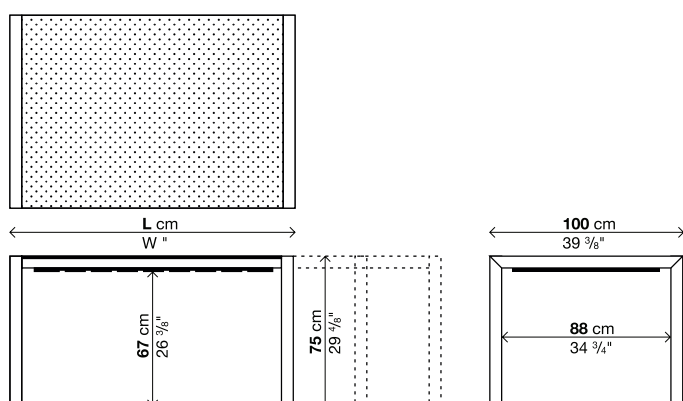
Tables that extend to more than 250 cm have a top that slightly bends, which complies with accepted quality standards.

Reinforced packaging, see inside cover.

Code	Lenght	Legs	Top	pack	m <sup>2</sup>	Kg
			DEKTON®			
01SUS02	177-214-251 (!)	Aluminium		3	0,52	108
		Lacquered				
01SUS36	200-237-274 (!)	Aluminium		3	0,57	118
		Lacquered				

### Optionals

Code	Description	pack	m <sup>2</sup>	Kg
02GTA02	Legs height cut to size	-	-	-



# SUSHI DEKTON® BY COSENTINO

## Fixed - Depth 100 cm

### Leg finish:

Anodised aluminium  
 White lacquered aluminium (similar to RAL 9016)  
 "Ventus grey" lacquered aluminium  
 Olive green lacquered aluminium (colour reference "Olive green polyurethane P008")

### Finish of top:

DEKTON® Zenith white  
 DEKTON® Ventus grey  
 DEKTON® Aura (digital marble)

### Note:

Important: the grain pattern reproduced on the surface of DEKTON® Aura (digital marble) tops is random, a special feature that makes each top unique and original. This characteristic implies possible differences to samples that are not to be considered imperfections or irregularities. Due to their random nature, uniform grain patterns cannot be requested.

Important: sizes and finishes marked with (!) require longer production lead time, about 6 weeks from the date of the order.

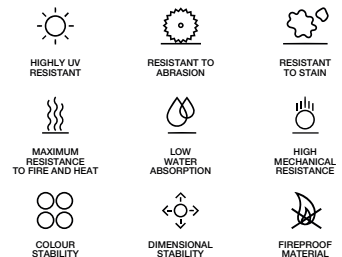
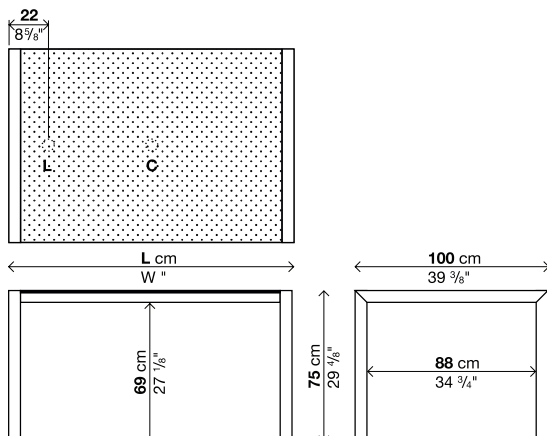
Tables that extend to more than 250 cm have a top that slightly bends, which complies with accepted quality standards.

Reinforced packaging, see inside cover.

Code	Lenght	Legs	Top	pack	m <sup>3</sup>	Kg
			DEKTON®			
01SUS02F	177	Aluminium		1	0,45	74
		Lacquered				
01SUS08F	200	Aluminium		1	0,5	83
		Lacquered				
01SUS09F	240	Aluminium		1	0,6	97
		Lacquered				
01SUS82F	280	Aluminium		1	0,69	115
		Lacquered				

### Optionals

Code	Description	pack	m <sup>3</sup>	Kg
02GTA02	Legs height cut to size	-	-	-
02RET03	Plastic cable mesh	1	0,07	1
02VER01	Vertebra, opal white methacrylate	1	0,007	1,5
02CPU03	CPU unit, opal white methacrylate	1	0,14	5,5



# SUSHI WOOD

## Extensible - Depth 90 cm

### Base finish:

Anodised aluminium  
 White lacquered aluminium (similar to Ral 9016)  
 "Alucompact® sand grey" lacquered aluminium (similar to Ral 9002)  
 "Alucompact® anthracite grey" lacquered aluminium (similar to Ral 7015)  
 "Fenix-NTM® London grey" lacquered aluminium (similar to Ral Design0805005)  
 Black lacquered aluminium (similar to Ral 9004)  
 Olive green lacquered aluminium (colour reference "Olive green polyurethane P008")

### Finish of top/extensions:

Wood, european oak effect  
 Wood, walnut effect  
 Wood, black oak effect

### Note:

Important: sizes and finishes marked with (!) require longer production lead time, about 6 weeks from the date of the order.

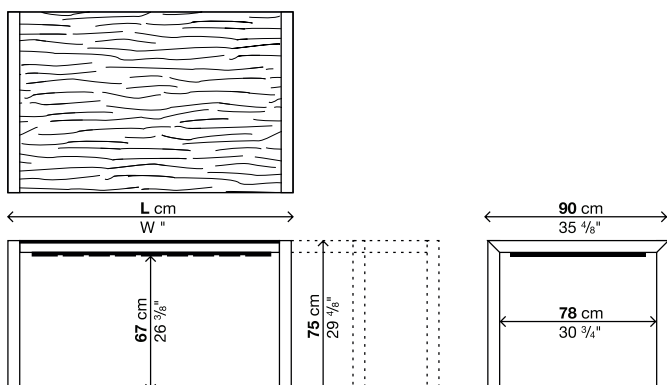
Tables that extend to more than 250 cm have a top that slightly bends, which complies with accepted quality standards.

Reinforced packaging, see inside cover.

Code	Lenght	Legs	Top	pack	m <sup>3</sup>	Kg
			Wood			
01SUS06	177-212-247-282 with three extensions	Aluminium Lacquered		4	0,5	81
01SUS09	200-235-270-305 with three extensions	Aluminium Lacquered		4	0,53	88,5
01SUS35	220-264-308 (!) with two extensions	Aluminium Lacquered		3	0,55	88

### Optionals

Code	Description	pack	m <sup>3</sup>	Kg
02GTA02	Legs height cut to size	-	-	-



# SUSHI WOOD

## Fixed - Depth 90 cm

### Base finish:

Anodised aluminium  
 White lacquered aluminium (similar to Ral 9016)  
 "Alucompact® sand grey" lacquered aluminium (similar to Ral 9002)  
 "Alucompact® anthracite grey" lacquered aluminium (similar to Ral 7015)  
 "Fenix-NTM® London grey" lacquered aluminium (similar to Ral Design0805005)  
 Black lacquered aluminium (similar to Ral 9004)  
 Olive green lacquered aluminium (colour reference "Olive green polyurethane P008")

### Finish of top:

Wood, european oak effect  
 Wood, walnut effect  
 Wood, black oak effect

### Note:

Important: sizes and finishes marked with (!) require longer production lead time, about 6 weeks from the date of the order.

Tables that extend to more than 250 cm have a top that slightly bends, which complies with accepted quality standards.

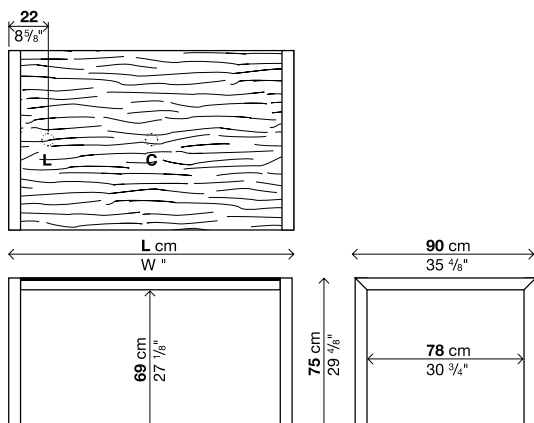
Table L. 269 and 289 cm have an under-top bars as a central support, therefore any cable hole cutouts cannot be centrally positioned in depth but must be slightly shifted.

Reinforced packaging, see inside cover.

Code	Lenght	Legs	Top	pack	m <sup>2</sup>	Kg
			Wood			
01SUS64F	200	Aluminium		1	0,46	57
		Lacquered				
01SUS35F	220 (!)	Aluminium		1	0,5	62
		Lacquered				
01SUS68F	240 (!)	Aluminium		1	0,55	66
		Lacquered				
01SUS70F	260 (!)	Aluminium		1	0,59	71
		Lacquered				
01SUS72F	280 (!)	Aluminium		1	0,63	79
		Lacquered				
01SUS74F	300 (!)	Aluminium		1	0,67	85
		Lacquered				

### Optionals

Code	Description	pack	m <sup>2</sup>	Kg
02GTA02	Legs height cut to size	-	-	-
02FOR01	Lateral or central cable hole Ø6	-	-	-
02RET02	Plastic cable mesh	1	0,07	1
02VER01	Vertebra, opal white methacrylate	1	0,007	1,5
02CPU02	CPU unit, opal white methacrylate	1	0,14	5,5





# SUSHI WOOD

## Extensible - Depth 100 cm

### Base finish:

Anodised aluminium  
 White lacquered aluminium (similar to Ral 9016)  
 "Alucompact® sand grey" lacquered aluminium (similar to Ral 9002)  
 "Alucompact® anthracite grey" lacquered aluminium (similar to Ral 7015)  
 "Fenix-NTM® London grey" lacquered aluminium (similar to Ral Design0805005)  
 Black lacquered aluminium (similar to Ral 9004)  
 Olive green lacquered aluminium (colour reference "Olive green polyurethane P008")

### Note:

Tables that extend to more than 250 cm have a top that slightly bends, which complies with accepted quality standards.

Reinforced packaging, see inside cover.

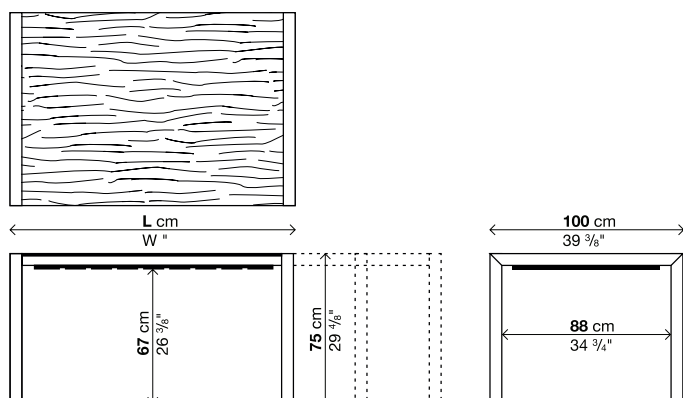
### Finish of top/extensions:

Wood, european oak effect  
 Wood, walnut effect  
 Wood, black oak effect

Code	Lenght	Legs	Top	pack	m <sup>2</sup>	Kg
			Wood			
01SUS02	177-212-247-282 with three extensions	Aluminium		4	0,53	91
		Lacquered				
01SUS36	200-235-270-305 with three extensions	Aluminium		4	0,58	98
		Lacquered				
01SUS05	220-264-308 with two extensions	Aluminium		3	0,62	98
		Lacquered				

### Optionals

Code	Description	pack	m <sup>2</sup>	Kg
02GTA02	Legs height cut to size	-	-	-



# SUSHI WOOD

## Fixed - Depth 100 cm

### Base finish:

Anodised aluminium  
 White lacquered aluminium (similar to Ral 9016)  
 "Alucompact® sand grey" lacquered aluminium (similar to Ral 9002)  
 "Alucompact® anthracite grey" lacquered aluminium (similar to Ral 7015)  
 "Fenix-NTM® London grey" lacquered aluminium (similar to Ral Design0805005)  
 Black lacquered aluminium (similar to Ral 9004)  
 Olive green lacquered aluminium (colour reference "Olive green polyurethane P008")

### Finish of top:

Wood, european oak effect  
 Wood, walnut effect  
 Wood, black oak effect

### Note:

Important: sizes and finishes marked with (!) require longer production lead time, about 6 weeks from the date of the order.

Tables that extend to more than 250 cm have a top that slightly bends, which complies with accepted quality standards.

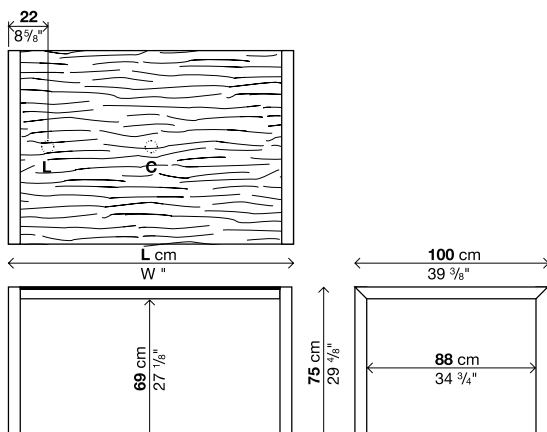
Table L. 269 and 289 cm have an under-top bars as a central support, therefore any cable hole cutouts cannot be centrally positioned in depth but must be slightly shifted.

Reinforced packaging, see inside cover.

Code	Lenght	Legs	Top	pack	m <sup>2</sup>	Kg
			Wood			
01SUS08F	200	Aluminium		1	0,5	62
		Lacquered				
01SUS05F	220	Aluminium		1	0,55	67
		Lacquered				
01SUS09F	240 (!)	Aluminium		1	0,6	72
		Lacquered				
01SUS80F	260 (!)	Aluminium		1	0,65	77
		Lacquered				
01SUS82F	280 (!)	Aluminium		1	0,69	85
		Lacquered				
01SUS36F	300 (!)	Aluminium		1	0,74	90
		Lacquered				

### Optionals

Code	Description	pack	m <sup>2</sup>	Kg
02GTA02	Legs height cut to size	-	-	-
02FOR01	Lateral or central cable hole Ø6	-	-	-
02RET02	Plastic cable mesh	1	0,07	1
02VER01	Vertebra, opal white methacrylate	1	0,007	1,5
02CPU03	CPU unit, opal white methacrylate	1	0,14	5,5



# SUSHI GLASS

## Extensible - Depth 80 cm

### Leg finish:

Anodised aluminium  
 White lacquered aluminium (similar to RAL 9016)  
 Black lacquered aluminium (similar to RAL 9004)

### Finish of top:

Gloss glass in colours: extra white, anthracite grey, black, titanium  
 Matt glass in colours: extra white, anthracite grey, black, titanium

### Finish of extensions:

White Alucompact® laminate  
 Sand grey Alucompact® laminate  
 Anthracite grey Alucompact® laminate  
 Black Alucompact® laminate

### Note:

For tables with codes marked with an asterisk (\*), a third extension can be added to further increase the length.

Important: sizes and finishes marked with (!) require longer production lead time, about 6 weeks from the date of the order.

Tables that extend to more than 250 cm have a top that slightly bends, which complies with accepted quality standards.

Reinforced packaging, see inside cover.

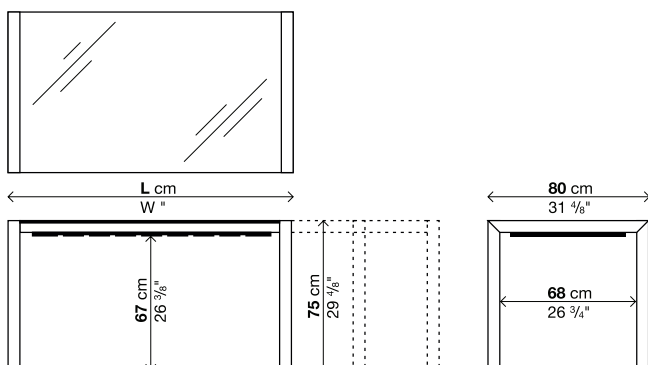
Code	Lenght	Legs	Top		pack	m <sup>2</sup>	Kg
			Gloss glass	Matt glass			
<b>01SUS11</b>	125-165-205	Aluminium			3	0,32	64
		Lacquered					
<b>01SUS13*</b>	150-190-230	Aluminium			3	0,37	72
		Lacquered					
<b>01SUS16*</b>	177-217-257	Aluminium			3	0,42	79
		Lacquered					

### (\* 3'd additional extension

Code	Lenght	Top	pack	m <sup>2</sup>	Kg
		Alucompact®			
<b>50SUS5A</b>	33 cm		1	0,03	6

### Optionals

Code	Description	pack	m <sup>2</sup>	Kg
<b>02GTA02</b>	Legs height cut to size	-	-	-



# SUSHI GLASS

## Fixed - Depth 80 cm

### Leg finish:

Anodised aluminium  
 White lacquered aluminium (similar to RAL 9016)  
 Black lacquered aluminium (similar to RAL 9004)

### Finish of top:

Gloss glass in colours: extra white, anthracite grey, black, titanium  
 Matt glass in colours: extra white, anthracite grey, black, titanium

### Note:

Important: sizes and finishes marked with (!) require longer production lead time, about 6 weeks from the date of the order.

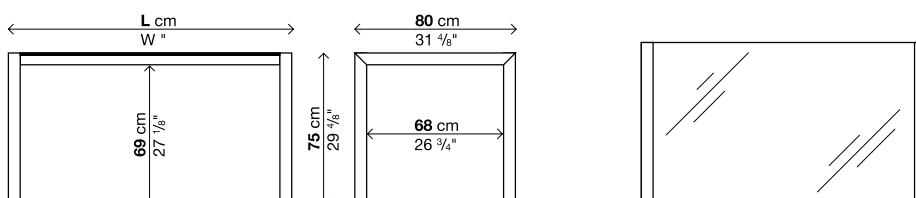
Tables that extend to more than 250 cm have a top that slightly bends, which complies with accepted quality standards.

Reinforced packaging, see inside cover.

Code	Lenght	Legs	Top		pack	m <sup>3</sup>	Kg
			Gloss glass	Matt glass			
01SUS31F	80	Aluminium			1	0,18	31
		Lacquered					
01SUS11F	125	Aluminium			1	0,27	44
		Lacquered					
01SUS13F	150	Aluminium			1	0,32	52
		Lacquered					
01SUS33F	177	Aluminium			1	0,37	58
		Lacquered					
01SUS37F	200	Aluminium			1	0,41	66
		Lacquered					
01SUS39F	220 (!)	Aluminium			1	0,45	72
		Lacquered					
01SUS45F	240 (!)	Aluminium			1	0,49	77
		Lacquered					
01SUS49F	260 (!)	Aluminium			1	0,53	83
		Lacquered					
01SUS53F	280 (!)	Aluminium			1	0,57	88
		Lacquered					
01SUS56F	300 (!)	Aluminium			1	0,61	94
		Lacquered					

### Optionals

Code	Description	pack	m <sup>3</sup>	Kg
02GTA02	Legs height cut to size	-	-	-
02RET01	Plastic cable mesh	1	0,07	1
02VER01	Vertebra, opal white methacrylate	1	0,007	1,5
02CPU01	CPU unit, opal white methacrylate	1	0,14	5,5



# SUSHI GLASS

## Extensible - Depth 90 cm

### Leg finish:

Anodised aluminium

White lacquered aluminium (similar to RAL 9016)

Black lacquered aluminium (similar to RAL 9004)

### Finish of top:

Gloss glass in colours: extra white, anthracite grey, black, titanium

Matt glass in colours: extra white, anthracite grey, black, titanium

### Finish of extensions:

White Alucompact® laminate

Sand grey Alucompact® laminate

Anthracite grey Alucompact® laminate

Black Alucompact® laminate

### Note:

For tables with codes marked with an asterisk (\*), a third extension can be added to further increase the length.

Important: sizes and finishes marked with (!) require longer production lead time, about 6 weeks from the date of the order.

Tables that extend to more than 250 cm have a top that slightly bends, which complies with accepted quality standards.

Reinforced packaging, see inside cover.

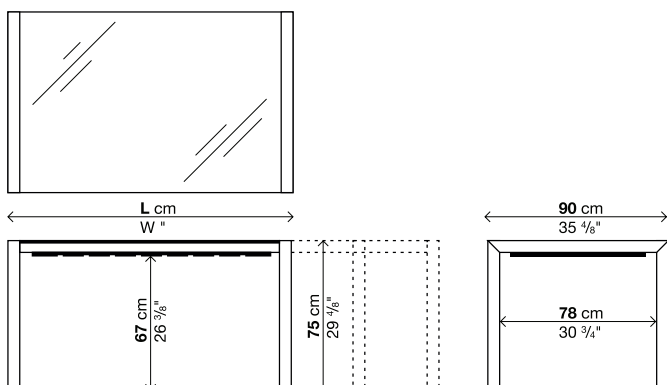
Code	Lenght	Legs	Top		pack	m <sup>2</sup>	Kg
			Gloss glass	Matt glass			
01SUS17*	150-187-224	Aluminium			3	0,41	81
		Lacquered					
01SUS15	177-214-251-288 3 <sup>rd</sup> standard extension	Aluminium			4	0,5	96
		Lacquered					
01SUS18*	200-237-274	Aluminium			3	0,51	98
		Lacquered					
01SUS52*	220-257-294	Aluminium			3	0,55	105
		Lacquered					

### (\*) 3<sup>rd</sup> additional extension

Code	Lenght	Top	pack	m <sup>2</sup>	Kg
		Alucompact®			
50SUS2A	37,5 cm		1	0,03	6,5

### Optionals

Code	Description	pack	m <sup>2</sup>	Kg
02GTA02	Legs height cut to size	-	-	-



# SUSHI GLASS

## Fixed - Depth 90 cm

### Leg finish:

Anodised aluminium

White lacquered aluminium (similar to RAL 9016)

Black lacquered aluminium (similar to RAL 9004)

### Finish of top:

Gloss glass in colours: extra white, anthracite grey, black, titanium

Matt glass in colours: extra white, anthracite grey, black, titanium

### Note:

Important: sizes and finishes marked with (!) require longer production lead time, about 6 weeks from the date of the order.

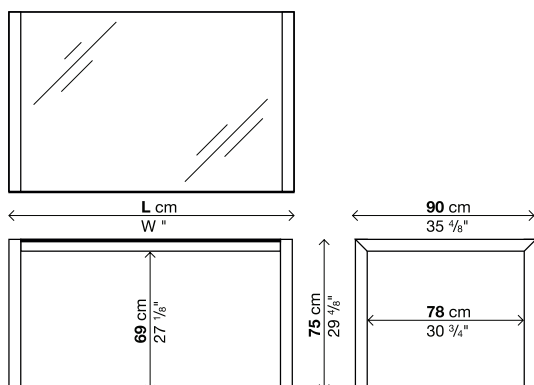
Tables that extend to more than 250 cm have a top that slightly bends, which complies with accepted quality standards.

Reinforced packaging, see inside cover.

Code	Lenght	Legs	Top		pack	m <sup>3</sup>	Kg
			Gloss glass	Matt glass			
<b>01SUS58F</b>	90	Aluminium			1	0,23	37
		Lacquered					
<b>01SUS63F</b>	125	Aluminium			1	0,3	51
		Lacquered					
<b>01SUS17F</b>	150	Aluminium			1	0,36	58
		Lacquered					
<b>01SUS15F</b>	177	Aluminium			1	0,42	67
		Lacquered					
<b>01SUS67F</b>	200	Aluminium			1	0,46	74
		Lacquered					
<b>01SUS52F</b>	220 (!)	Aluminium			1	0,5	80
		Lacquered					
<b>01SUS69F</b>	240 (!)	Aluminium			1	0,55	86
		Lacquered					
<b>01SUS71F</b>	260 (!)	Aluminium			1	0,59	92
		Lacquered					
<b>01SUS73F</b>	280 (!)	Aluminium			1	0,63	103
		Lacquered					
<b>01SUS75F</b>	300 (!)	Aluminium			1	0,67	109
		Lacquered					

### Optionals

Code	Description	pack	m <sup>3</sup>	Kg
<b>02GTA02</b>	Legs height cut to size	-	-	-
<b>02RET02</b>	Plastic cable mesh	1	0,07	1
<b>02VER01</b>	Vertebra, opal white methacrylate	1	0,007	1,5
<b>02CPU02</b>	CPU unit, opal white methacrylate	1	0,14	5,5



# SUSHI GLASS

## Extensible - Depth 100 cm

### Leg finish:

Anodised aluminium

White lacquered aluminium (similar to RAL 9016)

Black lacquered aluminium (similar to RAL 9004)

### Finish of top:

Gloss glass in colours: extra white, anthracite grey, black, titanium

Matt glass in colours: extra white, anthracite grey, black, titanium

### Finish of extensions:

White Alucompact® laminate

Sand grey Alucompact® laminate

Anthracite grey Alucompact® laminate

Black Alucompact® laminate

### Note:

For tables with codes marked with an asterisk (\*), a third extension can be added to further increase the length.

Important: sizes and finishes marked with (!) require longer production lead time, about 6 weeks from the date of the order.

Tables that extend to more than 250 cm have a top that slightly bends, which complies with accepted quality standards.

Reinforced packaging, see inside cover.

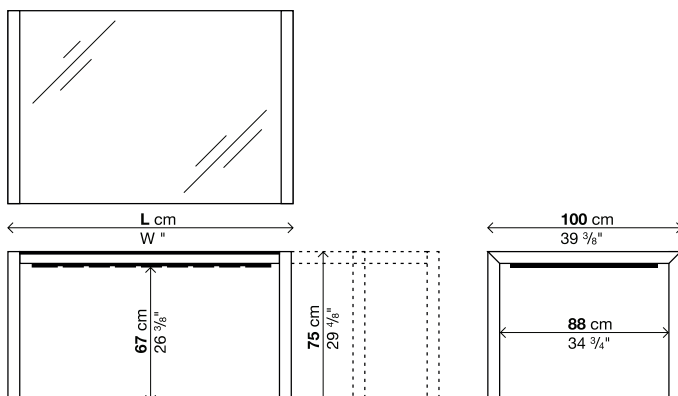
Code	Lenght	Legs	Top		pack	m <sup>2</sup>	Kg
			Gloss glass	Matt glass			
<b>01SUS14</b>	100-170	Aluminium			3	0,33	63
		Lacquered					
<b>01SUS12*</b>	177-224-271	Aluminium			3	0,52	101
		Lacquered					
<b>01SUS20*</b>	200-247-294	Aluminium			3	0,57	108
		Lacquered					
<b>01SUS19*</b>	220-267-314	Aluminium			3	0,62	118
		Lacquered					

### (\*) 3<sup>rd</sup> additional extension

Code	Lenght	Top	pack	m <sup>2</sup>	Kg
		Alucompact®			
<b>50SUS6A</b>	33 cm		1	0,03	6

### Optionals

Code	Description	pack	m <sup>2</sup>	Kg
<b>02GTA02</b>	Legs height cut to size	-	-	-



# SUSHI GLASS

## Fixed - Depth 100 cm

### Leg finish:

Anodised aluminium

White lacquered aluminium (similar to RAL 9016)

Black lacquered aluminium (similar to RAL 9004)

### Finish of top:

Gloss glass in colours: extra white, anthracite grey, black, titanium

Matt glass in colours: extra white, anthracite grey, black, titanium

### Note:

Important: sizes and finishes marked with (!) require longer production lead time, about 6 weeks from the date of the order.

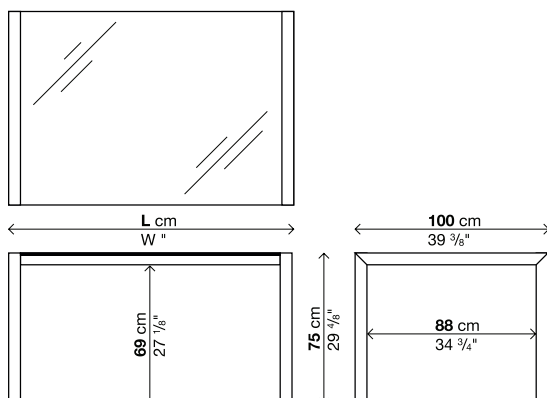
Tables that extend to more than 250 cm have a top that slightly bends, which complies with accepted quality standards.

Reinforced packaging, see inside cover.

Code	Lenght	Legs	Top		pack	m <sup>2</sup>	Kg
			Gloss glass	Matt glass			
<b>01SUS14F</b>	100	Aluminium			1	0,27	45
		Lacquered					
<b>01SUS79F</b>	150	Aluminium			1	0,39	63
		Lacquered					
<b>01SUS12F</b>	177	Aluminium			1	0,45	72
		Lacquered					
<b>01SUS16F</b>	200	Aluminium			1	0,5	80
		Lacquered					
<b>01SUS19F</b>	220	Aluminium			1	0,55	87
		Lacquered					
<b>01SUS50F</b>	240 (!)	Aluminium			1	0,6	93
		Lacquered					
<b>01SUS81F</b>	260 (!)	Aluminium			1	0,65	100
		Lacquered					
<b>01SUS83F</b>	280 (!)	Aluminium			1	0,69	110
		Lacquered					
<b>01SUS54F</b>	300 (!)	Aluminium			1	0,74	118
		Lacquered					

### Optionals

Code	Description	pack	m <sup>2</sup>	Kg
<b>02GTA02</b>	Legs height cut to size	-	-	-
<b>02RET03</b>	Plastic cable mesh	1	0,07	1
<b>02VER01</b>	Vertebra, opal white methacrylate	1	0,007	1,5
<b>02CPU03</b>	CPU unit, opal white methacrylate	1	0,14	5,5





# SUSHI GLASS

## Fixed - Depth 124 cm

### Leg finish:

Anodised aluminium  
 White lacquered aluminium (similar to RAL 9016)  
 Black lacquered aluminium (similar to RAL 9004)

### Finish of top:

Gloss glass in colours: extra white, anthracite grey, black, titanium  
 Matt glass in colours: extra white, anthracite grey, black, titanium

### Note:

Important: sizes and finishes marked with (!) require longer production lead time, about 6 weeks from the date of the order.

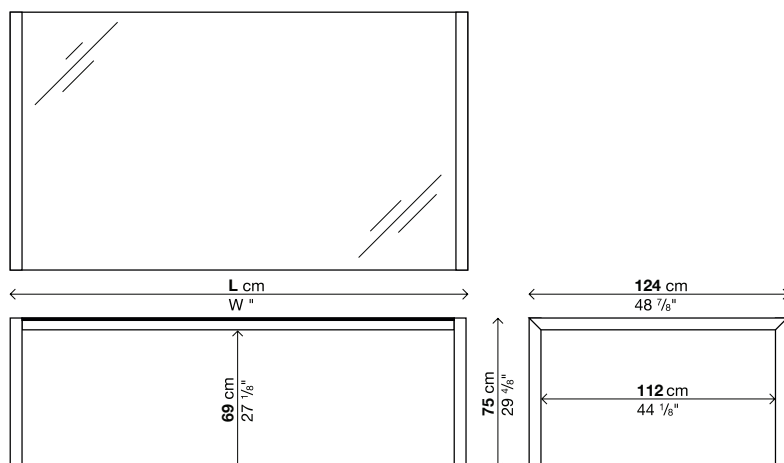
Tables that extend to more than 250 cm have a top that slightly bends, which complies with accepted quality standards.

Reinforced packaging, see inside cover.

Code	Lenght	Legs	Top		pack	m <sup>2</sup>	Kg
			Gloss glass	Matt glass			
01SUS89F	220 (!)	Aluminium			1	0,66	109
		Lacquered					
01SUS91F	240 (!)	Aluminium			1	0,72	118
		Lacquered					
01SUS93F	288 (!)	Aluminium			1	0,85	140
		Lacquered					

### Optionals

Code	Description	pack	m <sup>2</sup>	Kg
02GTA02	Legs height cut to size	-	-	-
02RET04	Plastic cable mesh	1	0,07	1
02VER01	Vertebra, opal white methacrylate	1	0,007	1,5
02CPU04	CPU unit, opal white methacrylate	1	0,14	5,5



# SUSHI GLASS

## Fixed - Depth 140 cm

### Leg finish:

Anodised aluminium

White lacquered aluminium (similar to RAL 9016)

Black lacquered aluminium (similar to RAL 9004)

### Finish of top:

Gloss glass in colours: extra white, anthracite grey, black, titanium

Matt glass in colours: extra white, anthracite grey, black, titanium

### Note:

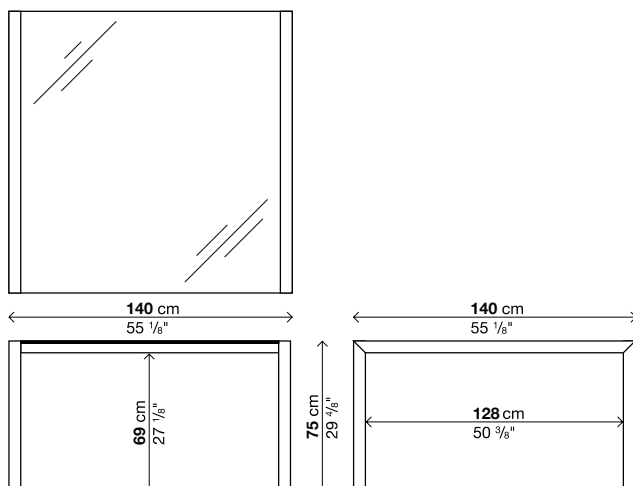
Important: sizes and finishes marked with (!) require longer production lead time, about 6 weeks from the date of the order.

Reinforced packaging, see inside cover.

Code	Lenght	Legs	Top		pack	m <sup>3</sup>	Kg
			Gloss glass	Matt glass			
<b>01SUS18F</b>	140 (!)	Aluminium			1	0,52	73
		Lacquered					

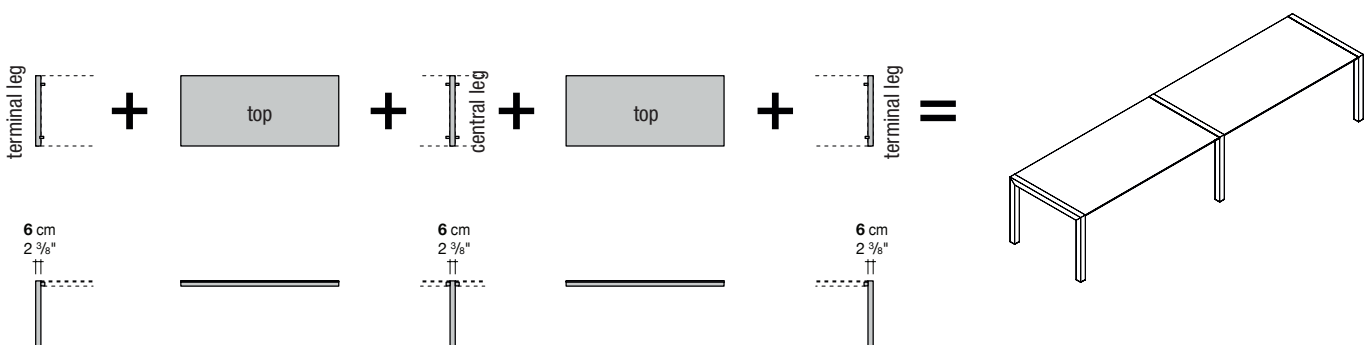
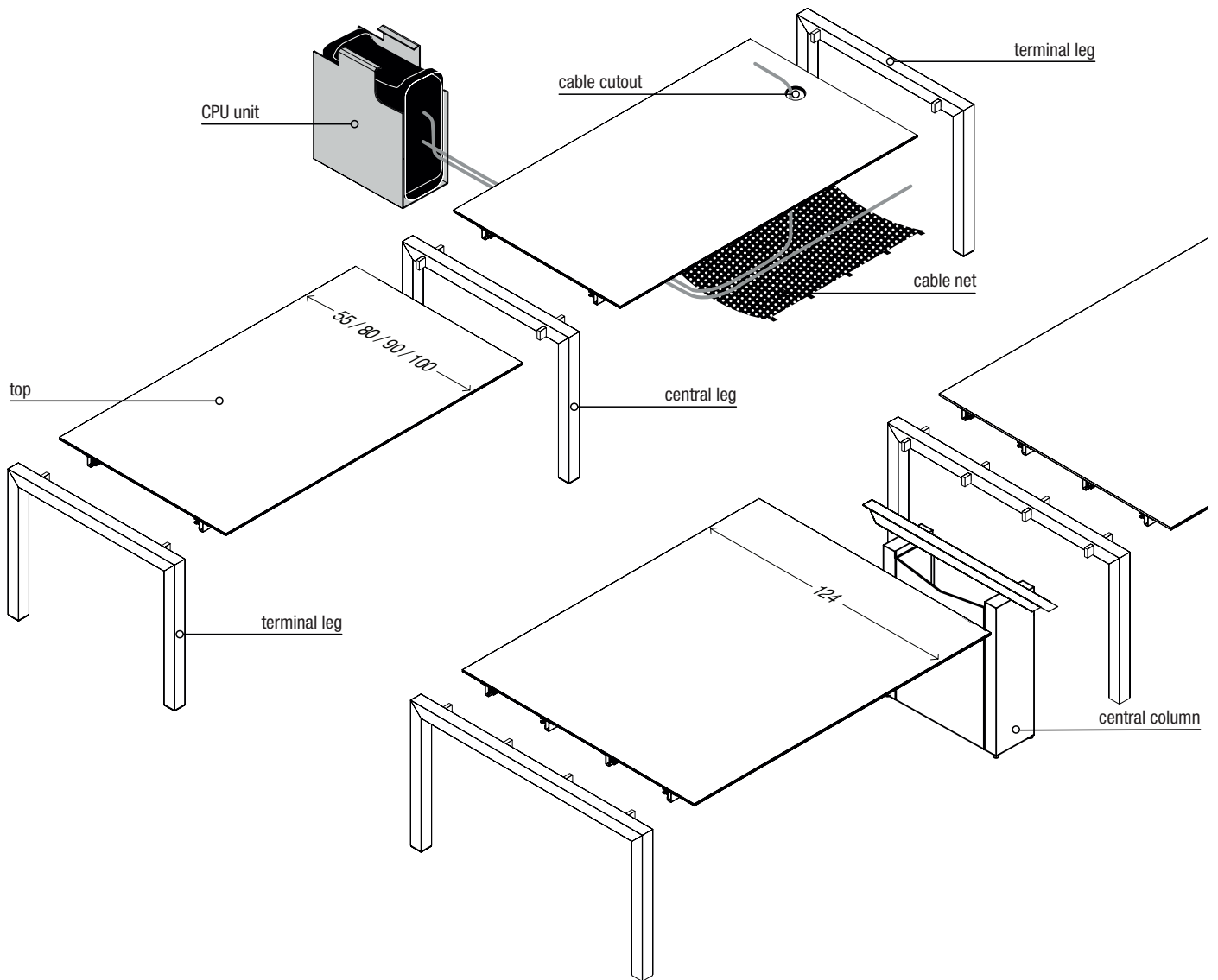
### Optionals

Code	Description	pack	m <sup>3</sup>	Kg
<b>02GTA02</b>	Legs height cut to size	-	-	-
<b>02VER01</b>	Vertebra, opal white methacrylate	1	0,007	1,5



# MODULAR SUSHI

## Assembly diagram



# MODULAR SUSHI

## Alucompact® top - Table, Meeting table

### Finish of top:

White Alucompact® laminate  
 Sand grey Alucompact® laminate  
 Anthracite grey Alucompact® laminate  
 Black Alucompact® laminate

### Note:

Tops can be made of different materials on request (for quantity):  
 Pure-white laminate, Fenix-NTM®, glass.

Important: sizes and finishes marked with (!) require longer production lead time, about 6 weeks from the date of the order.

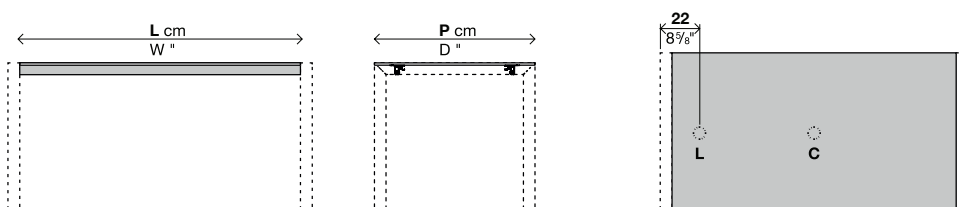
Tables that extend to more than 250 cm have a top that slightly bends, which complies with accepted quality standards.

Reinforced packaging, see inside cover.

Code	Dimensions	Top	pack	m <sup>2</sup>	Kg
		Alucompact®			
01SUS00	113 x 55 (!)		1	0,2	18
01SUS01	135 x 55 (!)		1	0,24	24
01SUS02	204 x 55 (!)		1	0,33	35
01SUS03	113 x 80		1	0,27	27
01SUS04	138 x 80		1	0,32	32
01SUS15	165 x 80 (!)		1	0,37	37
01SUS05	138 x 90		1	0,36	38
01SUS06	165 x 90		1	0,42	42
01SUS64	188 x 90 (!)		1	0,46	47
01SUS16	208 x 90 (!)		1	0,5	52
01SUS68	228 x 90 (!)		1	0,55	56
01SUS70	248 x 90 (!)		1	0,59	61
01SUS72	268 x 90 (!)		1	0,63	69
01SUS74	288 x 90 (!)		1	0,67	75
01SUS07	88 x 100		1	0,27	26
01SUS08	165 x 100		1	0,45	52
01SUS13	188 x 100 (!)		1	0,5	51
01SUS09	208 x 100 (!)		1	0,55	56
01SUS14	228 x 100 (!)		1	0,6	61
01SUS80	248 x 100 (!)		1	0,65	68
01SUS82	268 x 100 (!)		1	0,69	75
01SUS36	288 x 100 (!)		1	0,74	80
01SUS88	208 x 124 (!)		1	0,66	75
01SUS90	228 x 124 (!)		1	0,72	81
01SUS12	276 x 124 (!)		1	0,85	97

### Optionals

Code	Description	pack	m <sup>2</sup>	Kg
02FOR01	Lateral or central cable hole Ø6 cm	-	-	-



# MODULAR SUSHI

## Alucompact® top - Keyboard top

### Finish of top:

White Alucompact® laminate  
 Sand grey Alucompact® laminate  
 Anthracite grey Alucompact® laminate  
 Black Alucompact® laminate

### Note:

Tops can be made of different materials on request (for quantity):  
 Pure-white laminate, Fenix-NTM®, glass.

Important: sizes and finishes marked with (!) require longer production lead time, about 6 weeks from the date of the order.

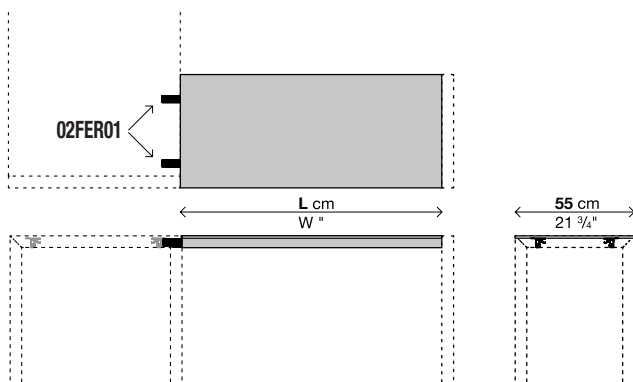
Tables that extend to more than 250 cm have a top that slightly bends, which complies with accepted quality standards.

Reinforced packaging, see inside cover.

Code	Dimensions	Top	pack	m <sup>3</sup>	Kg
		Alucompact®			
<b>02SUS00</b>	113 x 55 (!)		1	0,2	18
<b>02SUS01</b>	135 x 55 (!)		1	0,24	24
<b>02SUS02</b>	204 x 55 (!)		1	0,33	35

### Optionals

Code	Description	pack	m <sup>3</sup>	Kg
<b>02FER01</b>	Hardware for keyboard top	-	-	1,5



# MODULAR SUSHI

## Terminal leg / Central leg / Central column

### Leg finish:

- Anodised aluminium
- White lacquered aluminium (similar to RAL 9016)
- "Alucompact® sand grey" lacquered aluminium (similar to RAL 9002)
- "Alucompact® anthracite grey" lacquered aluminium (similar to RAL 7015)
- Black lacquered aluminium (similar to RAL 9004)

### Finish for column:

- Grey aluminium lacquered steel (similar to RAL 7042)
- White lacquered steel (similar to RAL 9016)
- "Alucompact® sand grey" lacquered steel" (similar to RAL 9002)
- "Alucompact® anthracite grey" lacquered steel" (similar to RAL 7015)
- Black lacquered steel (similar to RAL 9004)

### Terminal leg

Code	Depth	Finish		pack	m <sup>3</sup>	Kg
		Anodised aluminium	Lacquered aluminium			
<b>02CAV01</b>	55			1	0,22	10
<b>02CAV02</b>	80			1	0,22	10,2
<b>02CAV03</b>	90			1	0,22	10,3
<b>02CAV04</b>	100			1	0,22	10,5
<b>02CAV01A</b>	124			1	0,26	11

### Central leg

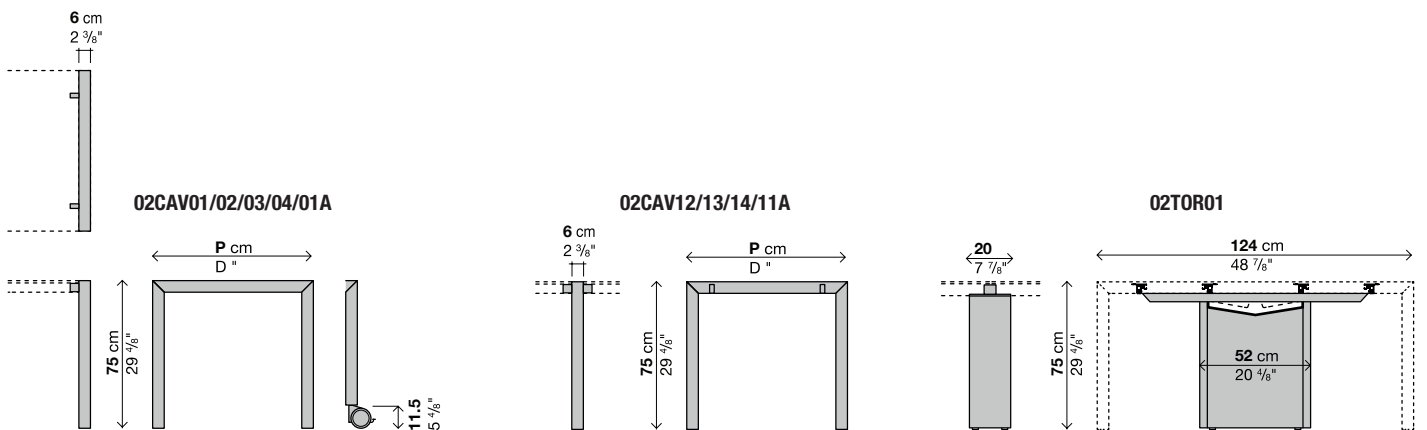
Code	Depth	Finish		pack	m <sup>3</sup>	Kg
		Anodised aluminium	Lacquered aluminium			
<b>02CAV12</b>	80			1	0,22	10,5
<b>02CAV13</b>	90			1	0,22	10,6
<b>02CAV14</b>	100			1	0,22	10,7
<b>02CAV11A</b>	124			1	0,26	12

### Central column

Code	Depth	Finish		pack	m <sup>3</sup>	Kg
		Lacquered steel				
<b>02TOR01</b>	124			1	0,14	19,5

### Optionals

Code	Description	pack	m <sup>3</sup>	Kg
<b>02GTA01</b>	Customised reduction to leg	-	-	-
<b>02CRU01</b>	Pair of castors with brake	-	-	1



# MODULAR SUSHI

## CPU unit / Cable net / Vertebra

### Finish for CPU holder:

Opal methacrylate

### Finish for cable mesh:

Fire-retardant plastic

### Finish for vertebra:

Opal methacrylate

### CPU unit

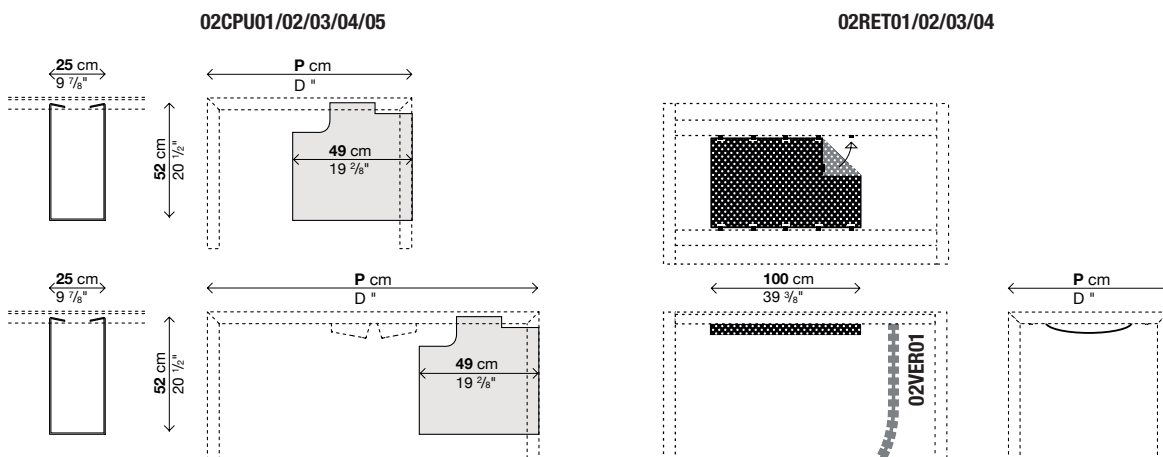
Code	Depth	Finish	pack	m <sup>3</sup>	Kg
		Opal methacrylate			
<b>02CPU01</b>	80		1	0,14	5,5
<b>02CPU02</b>	90		1	0,14	5,5
<b>02CPU03</b>	100		1	0,14	5,5
<b>02CPU04</b>	124		1	0,14	5,5
<b>02CPU05</b>	160		1	0,14	5,5

### Cable net

Code	Depth	Finish	pack	m <sup>3</sup>	Kg
		Fire-retardant plastic			
<b>02RET01</b>	80		1	0,07	1
<b>02RET02</b>	90		1	0,07	1
<b>02RET03</b>	100		1	0,07	1
<b>02RET04</b>	124		1	0,07	1

### Vertebra

Code	Finish	pack	m <sup>3</sup>	Kg
<b>02VER01</b>		1	0,01	1,5



# SUSHI

## Legenda dimensioni

### Prof. 80 cm Depth 314/8"

80	80 cm 314/8"	→ Alucompact® → Pure-white → Vetro
	125 cm 49 2/8"	→ Alucompact® → Pure-white → Vetro
	125/165/205 cm 49 2/8/65/80 3/4"	→ Alucompact® → Pure-white → Vetro
	150 cm 59"	→ Alucompact® → Pure-white → Vetro
	150/190/230 cm 59/74 7/8/90 4/8"	→ Alucompact® → Pure-white → Vetro
	177 cm 69 3/4"	→ Alucompact® → Pure-white → Vetro
	177/217/257 cm 69 3/4/85 4/8/101 2/8"	→ Alucompact® → Pure-white → Vetro
	200 cm 78 3/4"	→ Alucompact® → Pure-white → Vetro
	220 cm 86 5/8"	→ Alucompact® → Pure-white → Vetro
	240 cm 94 4/8"	→ Alucompact® → Pure-white → Vetro
	260 cm 102 3/8"	→ Alucompact® → Pure-white → Vetro
	280 cm 110 2/8"	→ Alucompact® → Pure-white → Vetro
	300 cm 118 1/8"	→ Alucompact® → Pure-white → Vetro

### Prof. 90 cm Depth 353/8"

90	90 cm 35 3/8"	→ Alucompact® → Pure-white → Vetro
	125 cm 49 2/8"	→ Alucompact® → Pure-white → Vetro
	150 cm 59"	→ Alucompact® → Pure-white → Fenix-NTM® → Vetro → DEKTON®
	150/187/224 cm 59/73 5/8/88 2/8"	→ Alucompact® → Pure-white → Fenix-NTM® → Vetro
	150/187/224 cm 59/73 5/8/88 2/8"	→ DEKTON®
	177 cm 69 3/4"	→ Alucompact® → Pure-white → Fenix-NTM® → Vetro → DEKTON®
	177/212/247/282 cm 69 5/8/83 4/8/97 2/8/111"	→ Legno
	177/214/251/288 cm 69 3/4/84 2/8/98 7/8/113 3/8"	→ Alucompact® → Pure-white → Fenix-NTM® → Vetro
	177/214/251 cm 69 3/4/84 2/8/98 7/8"	→ DEKTON®
	200 cm 78 6/4"	→ Alucompact® → Pure-white → Fenix-NTM® → Vetro → DEKTON® → Legno
	200/235/270/305 cm 78 6/8/92 4/8/106 2/8/120 1/8"	→ Legno
	200/237/274 cm 78 6/4/93 1/4/107 7/8"	→ Alucompact® → Pure-white → Fenix-NTM® → Vetro
	200/237/274 cm 78 6/4/93 1/4/107 7/8"	→ DEKTON®
	220 cm 86 5/8"	→ Alucompact® → Pure-white → Fenix-NTM® → Vetro → Legno
	220/257/294 cm 86 5/8/101 2/8/116 1/8"	→ Alucompact® → Pure-white → Fenix-NTM® → Vetro
	220/264/308 cm 86 5/8/103 7/8/121 2/8"	→ Legno
	240 cm 94 4/8"	→ Alucompact® → Pure-white → Vetro → Legno
	260 cm 102 3/8"	→ Alucompact® → Pure-white → Vetro → Legno

90	280 cm 110 2/8"	→ Alucompact® → Pure-white → Vetro → Legno
	300 cm 118 1/8"	→ Alucompact® → Pure-white → Vetro → Legno
100	100 cm 39 3/8"	→ Alucompact® → Pure-white → Vetro
	100/170 cm 39 3/8/67"	→ Alucompact® → Pure-white → Vetro
	150 cm 59"	→ Alucompact® → Pure-white → Vetro
	177 cm 69 3/4"	→ Alucompact® → Pure-white → Fenix-NTM® → Vetro → DEKTON®
	177/224/271 cm 69 3/4/88 5/8/106 3/4"	→ Alucompact® → Pure-white → Fenix-NTM® → Vetro
	177/214/251 cm 69 3/4/84 2/8/98 7/8"	→ DEKTON®
	177/212/247/282 cm 69 3/4/83 4/8/97 2/8/111"	→ Legno
	200 cm 78 3/4"	→ Alucompact® → Pure-white → Fenix-NTM® → Vetro → DEKTON® → Legno
	200/247/294 cm 78 3/4/97 2/8/115 3/4"	→ Alucompact® → Pure-white → Fenix-NTM® → Vetro
	200/237/274 cm 78 3/4/93 1/4/107 7/8"	→ DEKTON®
	200/235/270/305 cm 78 3/4/92 4/8/106 2/8/120 1/8"	→ Legno
	220 cm 86 5/8"	→ Alucompact® → Pure-white → Fenix-NTM® → Vetro → Legno
	220/267/314 cm 86 5/8/105 1/8/123 3/4"	→ Alucompact® → Pure-white → Fenix-NTM® → Vetro
	220/264/308 cm 86 5/8/103 7/8/121 2/8"	→ Legno

\* = 3ª prolunga aggiuntiva (a richiesta)



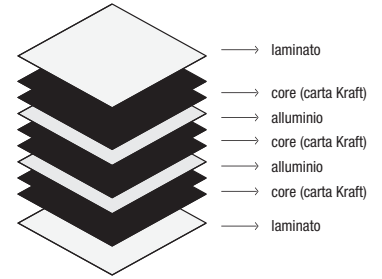
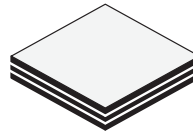
# Piani

100	240 cm 94 4/8"	→ Alucompact® → Pure-white → Vetro → DEKTON® → Legno
	260 cm 102 3/8"	→ Alucompact® → Pure-white → Vetro → Legno
	280 cm 110 2/8"	→ Alucompact® → Pure-white → Vetro → DEKTON® → Legno
	300 cm 118 1/8"	→ Alucompact® → Pure-white → Vetro → Legno

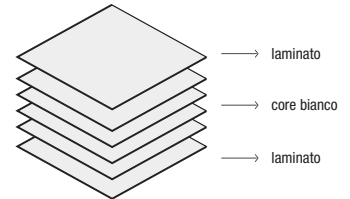
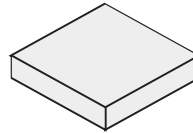
124	<b>Prof. 124 cm</b> Depth 48 7/8"	
	220 cm 86 5/8"	→ Alucompact® → Pure-white → Vetro
	240 cm 94 4/8"	→ Alucompact® → Pure-white → Vetro
140	<b>Prof. 140 cm</b> Depth 55 1/8"	
	140 cm 55 1/8"	→ Vetro

140	<b>Prof. 140 cm</b> Depth 55 1/8"	
	140 cm 55 1/8"	→ Vetro

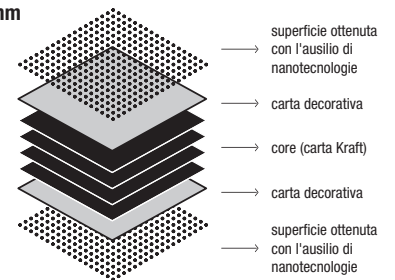
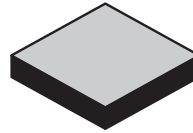
## Alucompact® Sp. 10 mm



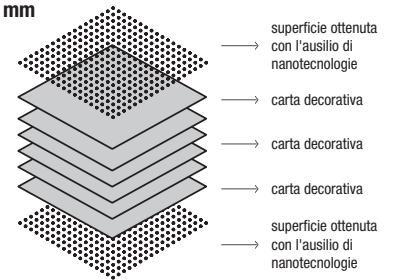
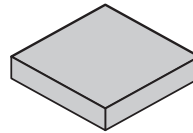
## Pure-white Sp. 10 mm



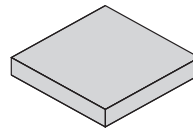
## Fenix-NTM® bordo nero Sp. 10 mm



## Fenix-NTM® bordo colore Sp. 10 mm

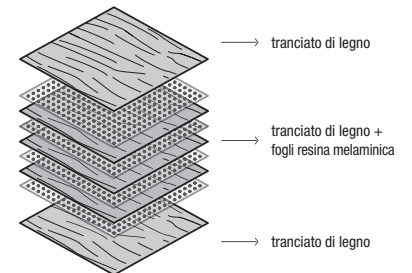
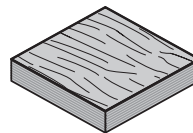


## DEKTON® by Cosentino Sp. 8 mm

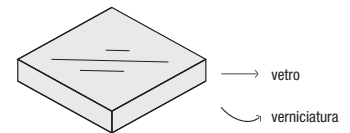
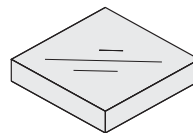


Dekton è una sofisticata miscela di materie prime utilizzate per la creazione di vetro, ceramica di ultima generazione e superfici in quarzo di altissima qualità

## Legno Sp. 10 mm



## Vetro Sp. 10 mm



# SUSHI ALUCOMPACT® / PURE-WHITE

## Allungabile - Profondità 80 cm

### Finitura gambe:

Alluminio anodizzato

Alluminio verniciato bianco (simile al RAL 9016)

Alluminio verniciato "Alucompact® grigio sabbia" (simile al RAL 9002)

Alluminio verniciato "Alucompact® grigio antracite" (simile al RAL 7015)

Alluminio verniciato nero (simile al RAL 9004)

### Finitura piano/prolunghe:

Laminato Alucompact® (bianco, grigio sabbia, grigio antracite, nero)

---

Laminato Pure-white bianco

### Note:

Nei tavoli con i codici contrassegnati con l'asterisco (\*) c'è la possibilità di aggiungere la terza prolunga per aumentare ulteriormente l'allungo.

Attenzione: le misure o le finiture contrassegnate con (!) hanno tempi di produzione più lunghi, circa 6 settimane dalla data dell'ordine.

I tavoli che in estensione superano i 250 cm presentano una leggera flessione del piano, che rientra negli standard di qualità accettati.

Imballi rinforzati vedi interno di copertina.

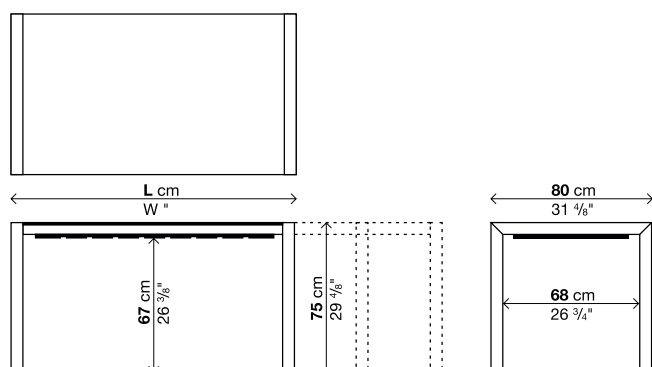
Codice	Lunghezza	Gambe	Piano		colli	m <sup>3</sup>	Kg
			Alucompact®	Pure-white (!)			
01SUS01	125-165-205	Alluminio			3	0,32	55
		Verniciato					
01SUS03*	150-190-230	Alluminio			3	0,37	61
		Verniciato					
01SUS08*	177-217-257	Alluminio			3	0,42	67
		Verniciato					

### (\*) 3ª prolunga aggiuntiva

Codice	Lunghezza	Piano		colli	m <sup>3</sup>	Kg
		Alucompact®	Pure-white			
50SUS5A	33 cm			1	0,03	6

### Optionals

Codice	Descrizione	colli	m <sup>3</sup>	Kg
02GTA02	Taglio gambe a misura	-	-	-



# SUSHI ALUcompact® / PURE-WHITE

## Fisso - Profondità 80 cm

### Finitura gambe:

Alluminio anodizzato

Alluminio verniciato bianco (simile al RAL 9016)

Alluminio verniciato "Alucompact® grigio sabbia" (simile al RAL 9002)

Alluminio verniciato "Alucompact® grigio antracite" (simile al RAL 7015)

Alluminio verniciato nero (simile al RAL 9004)

### Finitura piano:

Laminato Alucompact® (bianco, grigio sabbia, grigio antracite, nero)

---

Laminato Pure-white bianco

### Note:

Attenzione: le misure o le finiture contrassegnate con (!) hanno tempi di produzione più lunghi, circa 6 settimane dalla data dell'ordine.

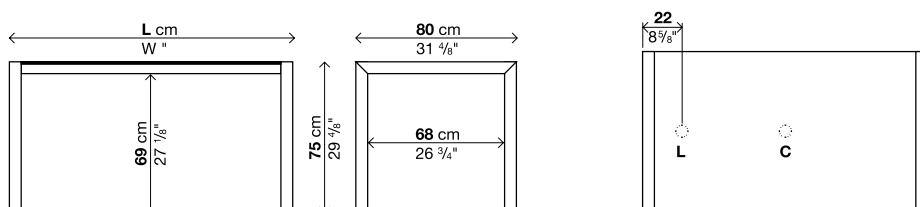
I tavoli che in estensione superano i 250 cm presentano una leggera flessione del piano, che rientra negli standard di qualità accettati.

Imballi rinforzati vedi interno di copertina.

Codice	Lunghezza	Gambe	Piano		colli	m³	Kg
			Alucompact®	Pure-white			
01SUS10F	80 (!)	Alluminio			1	0,18	26
		Verniciato					
01SUS01F	125 (!)	Alluminio			1	0,27	35
		Verniciato					
01SUS03F	150 (!)	Alluminio			1	0,32	41
		Verniciato					
01SUS32F	177 (!)	Alluminio			1	0,37	47
		Verniciato					
01SUS34F	200 (!)	Alluminio			1	0,41	52
		Verniciato					
01SUS38F	220 (!)	Alluminio			1	0,45	56
		Verniciato					
01SUS43F	240 (!)	Alluminio			1	0,49	60
		Verniciato					
01SUS48F	260 (!)	Alluminio			1	0,53	65
		Verniciato					
01NOR51F	280 (!)	Alluminio			1	0,57	68
		Verniciato					
01NOR55F	300 (!)	Alluminio			1	0,61	72
		Verniciato					

### Optionals

Codice	Descrizione	colli	m³	Kg
02GTA02	Taglio gambe a misura	-	-	-
02FOR01	Foro passacavi laterale o centrale Ø6	-	-	-
02RET01	Rete cablaggio in materiale plastico	1	0,07	1
02VER01	Vertebra metacrilato opalino	1	0,007	1,5
02CPU01	Porta CPU in metacrilato opalino	1	0,14	5,5



# SUSHI ALUcompact® / PURE-WHITE / FENIX-NTM®

## Allungabile - Profondità 90 cm

### Finitura gambe:

Alluminio anodizzato  
 Alluminio verniciato bianco (simile al RAL 9016)  
 Alluminio verniciato "Alucompact® grigio sabbia" (simile al RAL 9002)  
 Alluminio verniciato "Alucompact® grigio antracite" (simile al RAL 7015)  
 Alluminio verniciato nero (simile al RAL 9004)  
 Alluminio verniciato verde oliva (riferimento colore "Poliuretano verde oliva P008")

### Finitura piano/prolunghe:

Laminato Alucompact® (bianco, grigio sabbia, grigio antracite, nero)  
 ---  
 Laminato Pure-white bianco  
 ---  
 Fenix-NTM® bordo nero (bianco Kos 0032, grigio Londra 0718, grigio Bromo 0724, nero Ingo 0720)  
 ---  
 Fenix-NTM® bordo colore (bianco Kos 0032, grigio Londra 0718)

### Note:

Nei tavoli con i codici contrassegnati con l'asterisco (\*) c'è la possibilità di aggiungere la terza prolunga per aumentare ulteriormente l'allungo.

Attenzione: le misure o le finiture contrassegnate con (!) hanno tempi di produzione più lunghi, circa 6 settimane dalla data dell'ordine.

I tavoli che in estensione superano i 250 cm presentano una leggera flessione del piano, che rientra negli standard di qualità accettati.

Imballi rinforzati vedi interno di copertina.

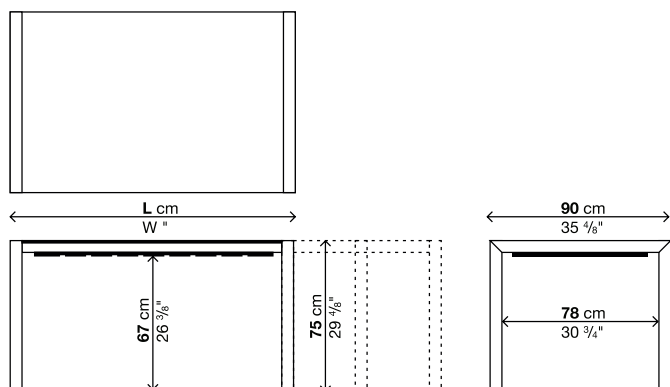
Codice	Lunghezza	Gambe	Piano				colli	m³	Kg
			Alucompact®	Fenix-NTM® bordo nero	Pure-white	Fenix-NTM® bordo colore			
01SUS07*	150-187-224	Alluminio					3	0,41	71
		Verniciato							
01SUS06	177-214-251-288 3ª prolunga di serie	Alluminio					4	0,5	81
		Verniciato							
01SUS09*	200-237-274	Alluminio					3	0,51	82
		Verniciato							
01SUS35*	220-257-294	Alluminio					3	0,55	88
		Verniciato							

### (\*) 3ª prolunga aggiuntiva

Codice	Lunghezza	Piano				colli	m³	Kg
		Alucompact®	Fenix-NTM® bordo nero	Pure-white	Fenix-NTM® bordo colore			
50SUS2A	37,5 cm					1	0,03	6,5

### Optionals

Codice	Descrizione	colli	m³	Kg
02GTA02	Taglio gambe a misura	-	-	-



# SUSHI ALUCOMPACT® / PURE-WHITE / FENIX-NTM®

## Fisso - Profondità 90 cm

### Finitura gambe:

Alluminio anodizzato  
 Alluminio verniciato bianco (simile al RAL 9016)  
 Alluminio verniciato "Alucompact® grigio sabbia" (simile al RAL 9002)  
 Alluminio verniciato "Alucompact® grigio antracite" (simile al RAL 7015)  
 Alluminio verniciato nero (simile al RAL 9004)  
 Alluminio verniciato verde oliva (riferimento colore "Poliuretano verde oliva P008")

### Finitura piano:

Laminato Alucompact® (bianco, grigio sabbia, grigio antracite, nero)  
 Laminato Pure-white bianco

---  
 Fenix-NTM® bordo nero (bianco Kos 0032, grigio Londra 0718, grigio Bromo 0724, nero Ingo 0720)  
 Fenix-NTM® bordo colore (bianco Kos 0032, grigio Londra 0718)

### Note:

Attenzione: le misure o le finiture contrassegnate con (!) hanno tempi di produzione più lunghi, circa 6 settimane dalla data dell'ordine.

I tavoli che in estensione superano i 250 cm presentano una leggera flessione del piano, che rientra negli standard di qualità accettati.

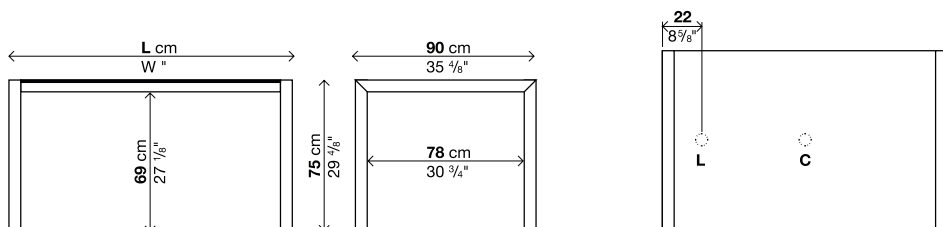
I tavoli lunghezza 280 e 300 cm presentano una tra la sottopiano di supporto centrale, pertanto eventuali fori passacavi non potranno essere posizionati centrati nella profondità ma lievemente spostati.

Imballi rinforzati vedi interno di copertina.

Codice	Lunghezza	Gambe	Piano				colli m <sup>3</sup> Kg
			Alucompact®	Fenix-NTM® bordo nero	Pure-white	Fenix-NTM® bordo colore	
<b>01SUS57F</b>	90	Alluminio		-		-	1 0,23 30
		Verniciato		-		-	
<b>01SUS59F</b>	125	Alluminio		-		-	1 0,3 41
		Verniciato		-		-	
<b>01SUS07F</b>	150	Alluminio					1 0,36 46
		Verniciato					
<b>01SUS06F</b>	177	Alluminio					1 0,42 52
		Verniciato					
<b>01SUS64F</b>	200	Alluminio					1 0,46 57
		Verniciato					
<b>01SUS35F</b>	220 (!)	Alluminio					1 0,5 62
		Verniciato					
<b>01SUS68F</b>	240 (!)	Alluminio		-		-	1 0,55 66
		Verniciato		-		-	
<b>01SUS70F</b>	260 (!)	Alluminio		-		-	1 0,59 71
		Verniciato		-		-	
<b>01SUS72F</b>	280 (!)	Alluminio		-		-	1 0,63 79
		Verniciato		-		-	
<b>01SUS74F</b>	300 (!)	Alluminio		-		-	1 0,67 85
		Verniciato		-		-	

### Optionals

Codice	Descrizione	colli m <sup>3</sup> Kg
<b>02GTA02</b>	Taglio gambe a misura	- - -
<b>02FOR01</b>	Foro passacavi laterale o centrale Ø6	- - -
<b>02RET02</b>	Rete cablaggio in materiale plastico	1 0,07 1
<b>02VER01</b>	Vertebra metacrilato opalino	1 0,007 1,5
<b>02CPU02</b>	Porta CPU in metacrilato opalino	1 0,14 5,5



# SUSHI ALUcompact® / PURE-WHITE / FENIX-NTM®

## Allungabile - Profondità 100 cm

### Finitura gambe:

Alluminio anodizzato

Alluminio verniciato bianco (simile al RAL 9016)

Alluminio verniciato "Alucompact® grigio sabbia" (simile al RAL 9002)

Alluminio verniciato "Alucompact® grigio antracite" (simile al RAL 7015)

Alluminio verniciato nero (simile al RAL 9004)

Alluminio verniciato verde oliva (riferimento colore "Poliuretano verde oliva P008")

### Finitura piano/prolunghe:

Laminato Alucompact® (bianco, grigio sabbia, grigio antracite, nero)

---

Laminato Pure-white bianco

---

Fenix-NTM® bordo nero (bianco Kos 0032, grigio Londra 0718, grigio Bromo 0724, nero Ingo 0720)

---

Fenix-NTM® bordo colore (bianco Kos 0032, grigio Londra 0718)

### Note:

Nei tavoli con i codici contrassegnati con l'asterisco (\*) c'è la possibilità di aggiungere la terza prolunga per aumentare ulteriormente l'allungo.

I tavoli che in estensione superano i 250 cm presentano una leggera flessione del piano, che rientra negli standard di qualità accettati.

Imballi rinforzati vedi interno di copertina.

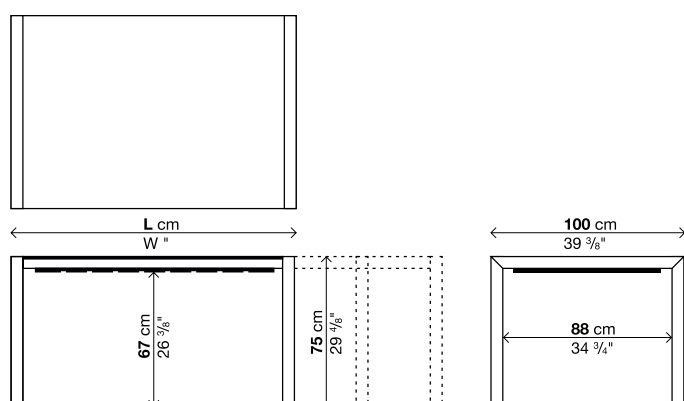
Codice	Lunghezza	Gambe	Piano				colli	m <sup>3</sup>	Kg
			Alucompact®	Fenix-NTM® bordo nero	Pure-white	Fenix-NTM® bordo colore			
01SUS04	100-170	Alluminio		-		-	3	0,33	55
		Verniciato		-		-			
01SUS02*	177-224-271	Alluminio					3	0,52	85
		Verniciato							
01SUS36*	200-247-294	Alluminio					3	0,57	92
		Verniciato							
01SUS05*	220-267-314	Alluminio					3	0,62	98
		Verniciato							

### (\*) 3ª prolunga aggiuntiva

Codice	Lunghezza	Piano				colli	m <sup>3</sup>	Kg
		Alucompact®	Fenix-NTM® bordo nero	Pure-white	Fenix-NTM® bordo colore			
50SUS6A	33 cm					1	0,03	6

### Optionals

Codice	Descrizione	colli	m <sup>3</sup>	Kg
02GTA02	Taglio gambe a misura	-	-	-



# SUSHI ALUcompact® / PURE-WHITE / FENIX-NTM®

## Fisso - Profondità 100 cm

### Finitura gambe:

Alluminio anodizzato  
 Alluminio verniciato bianco (simile al RAL 9016)  
 Alluminio verniciato "Alucompact® grigio sabbia" (simile al RAL 9002)  
 Alluminio verniciato "Alucompact® grigio antracite" (simile al RAL 7015)  
 Alluminio verniciato nero (simile al RAL 9004)  
 Alluminio verniciato verde oliva (riferimento colore "Poliuretano verde oliva P008")

### Finitura piano:

Laminato Alucompact® (bianco, grigio sabbia, grigio antracite, nero)  
 Laminato Pure-white bianco

---

Fenix-NTM® bordo nero (bianco Kos 0032, grigio Londra 0718, grigio Bromo 0724, nero Ingo 0720)

Fenix-NTM® bordo colore (bianco Kos 0032, grigio Londra 0718)

### Note:

Attenzione: le misure o le finiture contrassegnate con (!) hanno tempi di produzione più lunghi, circa 6 settimane dalla data dell'ordine.

I tavoli che in estensione superano i 250 cm presentano una leggera flessione del piano, che rientra negli standard di qualità accettati.

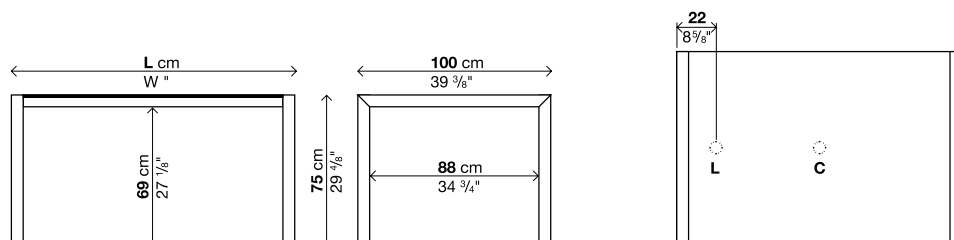
I tavoli lunghezza 280 e 300 cm presentano una tra la sottopiano di supporto centrale, pertanto eventuali fori passacavi non potranno essere posizionati centrati nella profondità ma lievemente spostati.

Imballi rinforzati vedi interno di copertina.

Codice	Lunghezza	Gambe	Piano				colli	m <sup>3</sup>	Kg
			Alucompact®	Fenix-NTM® bordo nero	Pure-white	Fenix-NTM® bordo colore			
01SUS04F	100	Alluminio		-		-	1	0,32	40
		Verniciato		-		-			
01SUS78F	150	Alluminio		-		-	1	0,39	50
		Verniciato		-		-			
01SUS02F	177	Alluminio		-		-	1	0,45	56
		Verniciato		-		-			
01SUS08F	200	Alluminio		-		-	1	0,5	62
		Verniciato		-		-			
01SUS05F	220	Alluminio		-		-	1	0,55	67
		Verniciato		-		-			
01SUS09F	240 (!)	Alluminio		-		-	1	0,6	72
		Verniciato		-		-			
01SUS80F	260 (!)	Alluminio		-		-	1	0,65	77
		Verniciato		-		-			
01SUS82F	280 (!)	Alluminio		-		-	1	0,69	85
		Verniciato		-		-			
01SUS36F	300 (!)	Alluminio		-		-	1	0,74	90
		Verniciato		-		-			

### Optionals

Codice	Descrizione	colli	m <sup>3</sup>	Kg
02GTA02	Taglio gambe a misura	-	-	-
02FOR01	Foro passacavi laterale o centrale Ø6	-	-	-
02RET03	Rete cablaggio in materiale plastico	1	0,07	1
02VER01	Vertebra metacrilato opalino	1	0,007	1,5
02CPU03	Porta CPU in metacrilato opalino	1	0,14	5,5



# SUSHI ALUCOMPACT® / PURE-WHITE

## Fisso - Profondità 124 cm

### Finitura gambe:

Alluminio anodizzato

Alluminio verniciato bianco (simile al RAL 9016)

Alluminio verniciato "Alucompact® grigio sabbia" (simile al RAL 9002)

Alluminio verniciato "Alucompact® grigio antracite" (simile al RAL 7015)

Alluminio verniciato nero (simile al RAL 9004)

Alluminio verniciato verde oliva (riferimento colore "Poliuretano verde oliva P008")

### Finitura piano:

Laminato Alucompact® (bianco, grigio sabbia, grigio antracite, nero)

---

Laminato Pure-white bianco

### Note:

Attenzione: le misure o le finiture contrassegnate con (!) hanno tempi di produzione più lunghi, circa 6 settimane dalla data dell'ordine.

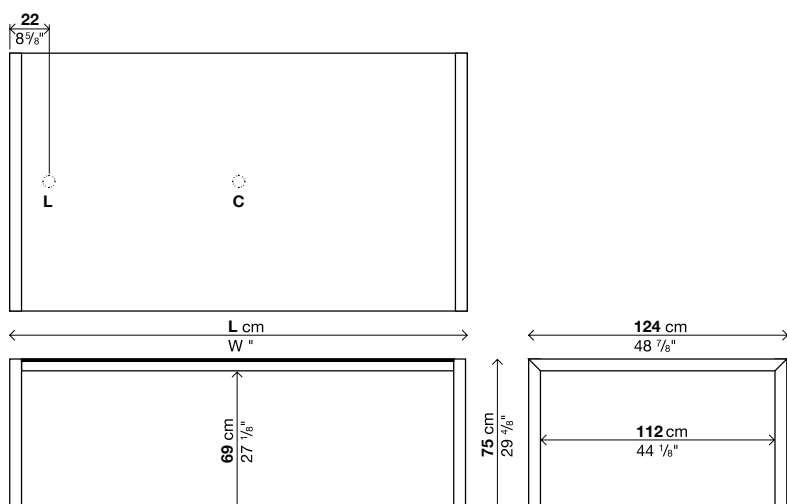
I tavoli che in estensione superano i 250 cm presentano una leggera flessione del piano, che rientra negli standard di qualità accettati.

Imballi rinforzati vedi interno di copertina.

Codice	Lunghezza	Gambe	Piano		colli	m <sup>3</sup>	Kg
			Alucompact®	Pure-white			
01SUS88F	220 (!)	Alluminio			1	0,66	86
		Verniciato					
01SUS90F	240 (!)	Alluminio			1	0,72	92
		Verniciato					
01SUS92F	288 (!)	Alluminio			1	0,85	108
		Verniciato					

### Optionals

Codice	Descrizione	colli	m <sup>3</sup>	Kg
02GTA02	Taglio gambe a misura	-	-	-
02FOR01	Foro passacavi laterale o centrale Ø6	-	-	-
02RET04	Rete cablaggio in materiale plastico	1	0,07	1
02VER01	Vertebra metacrilato opalino	1	0,007	1,5
02CPU04	Porta CPU in metacrilato opalino	1	0,14	5,5





# SUSHI DEKTON® BY COSENTINO

## Allungabile - Profondità 90 cm

### Finitura gambe:

Alluminio anodizzato  
 Alluminio verniciato bianco (simile al RAL 9016)  
 Alluminio verniciato "grigio Ventus"  
 Alluminio verniciato verde oliva (riferimento colore "Poliuretano verde oliva P008")

### Finitura piano:

DEKTON® bianco Zenith  
 DEKTON® grigio Ventus  
 DEKTON® Aura (marmo digitale)

### Finitura prolunghe:

Alluminio verniciato bianco (simile al RAL 9016)  
 Alluminio verniciato "grigio Ventus"

### Note:

Attenzione: le venature riprodotte sulla superficie dei piani in DEKTON® Aura (marmo digitale) sono disposte in modo casuale, peculiarità che rende ciascun piano unico e non ripetibile. Questa caratteristica implica possibili differenze rispetto ai campioni, non contestabili quali imperfezioni o anomalie. In virtù della casualità della loro disposizione, non è possibile avere su richiesta venature più o meno omogenee.

Attenzione: le misure o le finiture contrassegnate con (!) hanno tempi di produzione più lunghi, circa 6 settimane dalla data dell'ordine.

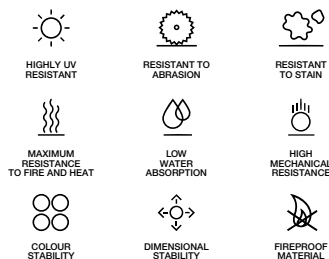
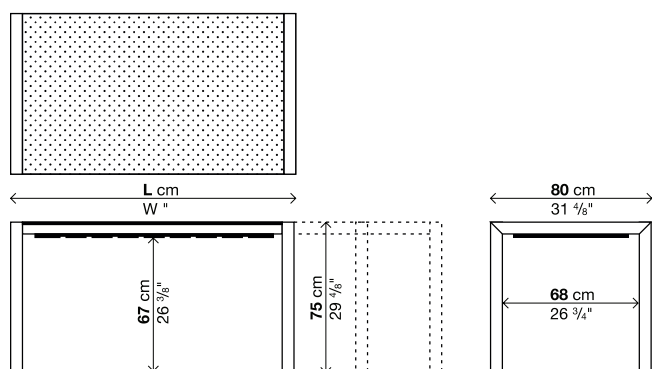
I tavoli che in estensione superano i 250 cm presentano una leggera flessione del piano, che rientra negli standard di qualità accettati.

Imballi rinforzati vedi interno di copertina.

Codice	Lunghezza	Gambe	Piano	colli	m <sup>2</sup>	Kg
			DEKTON®			
01SUS07	150-187-224 (!)	Alluminio		3	0,41	89
		Verniciato				
01SUS06	177-214-251 (!)	Alluminio		3	0,5	102
		Verniciato				
01SUS09	200-237-274 (!)	Alluminio		3	0,51	105
		Verniciato				

### Optionals

Codice	Descrizione	colli	m <sup>2</sup>	Kg
02GTA02	Taglio gambe a misura	-	-	-



# SUSHI DEKTON® BY COSENTINO

## Fisso - Profondità 90 cm

### Finitura gambe:

Alluminio anodizzato  
 Alluminio verniciato bianco (simile al RAL 9016)  
 Alluminio verniciato "grigio Ventus"  
 Alluminio verniciato verde oliva (riferimento colore "Poliuretano verde oliva P008")

### Finitura piano:

DEKTON® bianco Zenith  
 DEKTON® grigio Ventus  
 DEKTON® Aura (marmo digitale)

### Note:

Attenzione: le venature riprodotte sulla superficie dei piani in DEKTON® Aura (marmo digitale) sono disposte in modo casuale, peculiarità che rende ciascun piano unico e non ripetibile. Questa caratteristica implica possibili differenze rispetto ai campioni, non contestabili quali imperfezioni o anomalie. In virtù della casualità della loro disposizione, non è possibile avere su richiesta venature più o meno omogenee.

Attenzione: le misure o le finiture contrassegnate con (!) hanno tempi di produzione più lunghi, circa 6 settimane dalla data dell'ordine.

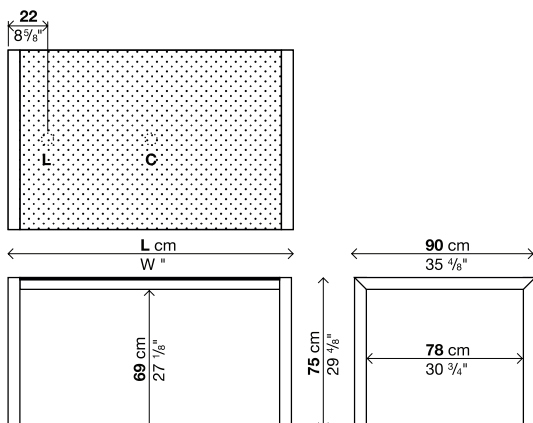
I tavoli che in estensione superano i 250 cm presentano una leggera flessione del piano, che rientra negli standard di qualità accettati.

Imballi rinforzati vedi interno di copertina.

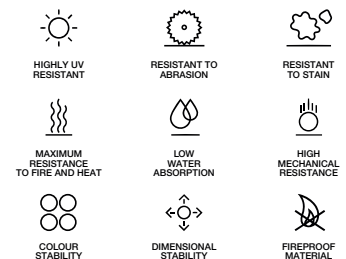
Codice	Lunghezza	Gambe	Piano	colli	m <sup>2</sup>	Kg
			DEKTON®			
01SUS07F	150 (!)	Alluminio		1	0,36	60
		Verniciato				
01SUS06F	177 (!)	Alluminio		1	0,42	69
		Verniciato				
01SUS64F	200 (!)	Alluminio		1	0,46	76
		Verniciato				

### Optionals

Codice	Descrizione	colli	m <sup>2</sup>	Kg
02GTA02	Taglio gambe a misura	-	-	-
02RET02	Rete cablaggio in materiale plastico	1	0,07	1
02VER01	Vertebra metacrilato opalino	1	0,007	1,5
02CPU02	Porta CPU in metacrilato opalino	1	0,14	5,5



**DEKTON®**  
by COSENTINO



# SUSHI DEKTON® BY COSENTINO

## Allungabile - Profondità 100 cm

### Finitura gambe:

Alluminio anodizzato

Alluminio verniciato bianco (simile al RAL 9016)

Alluminio verniciato "grigio Ventus"

Alluminio verniciato verde oliva (riferimento colore "Poliuretano verde oliva P008")

### Finitura piano:

DEKTON® bianco Zenith

DEKTON® grigio Ventus

DEKTON® Aura (marmo digitale)

### Finitura prolunghe:

Alluminio verniciato bianco (simile al RAL 9016)

Alluminio verniciato "grigio Ventus"

### Note:

Attenzione: le venature riprodotte sulla superficie dei piani in DEKTON® Aura (marmo digitale) sono disposte in modo casuale, peculiarità che rende ciascun piano unico e non ripetibile. Questa caratteristica implica possibili differenze rispetto ai campioni, non contestabili quali imperfezioni o anomalie. In virtù della casualità della loro disposizione, non è possibile avere su richiesta venature più o meno omogenee.

Attenzione: le misure o le finiture contrassegnate con (!) hanno tempi di produzione più lunghi, circa 6 settimane dalla data dell'ordine.

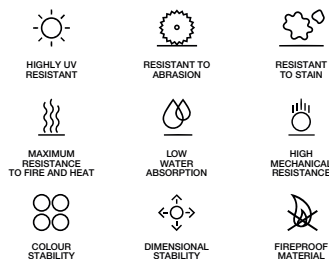
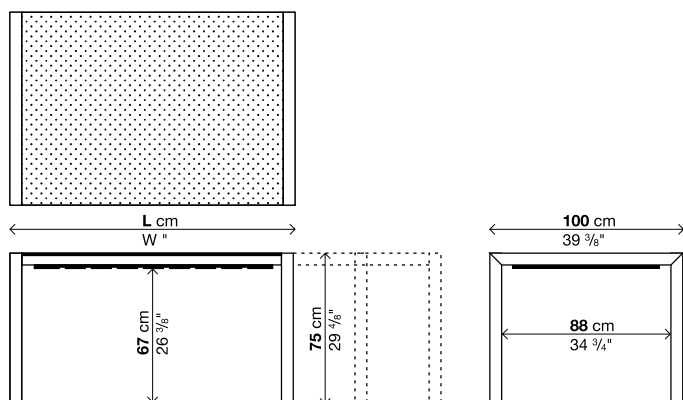
I tavoli che in estensione superano i 250 cm presentano una leggera flessione del piano, che rientra negli standard di qualità accettati.

Imballi rinforzati vedi interno di copertina.

Codice	Lunghezza	Gambe	Piano	colli	m <sup>2</sup>	Kg
			DEKTON®			
01SUS02	177-214-251 (!)	Alluminio		3	0,52	108
		Verniciato				
01SUS36	200-237-274 (!)	Alluminio		3	0,57	118
		Verniciato				

### Optionals

Codice	Descrizione	colli	m <sup>2</sup>	Kg
02GTA02	Taglio gambe a misura	-	-	-



# SUSHI DEKTON® BY COSENTINO

## Fisso - Profondità 100 cm

### Finitura gambe:

- Alluminio anodizzato
- Alluminio verniciato bianco (simile al RAL 9016)
- Alluminio verniciato "grigio Ventus"
- Alluminio verniciato verde oliva (riferimento colore "Poliuretano verde oliva P008")

### Finitura piano:

- DEKTON® bianco Zenith
- DEKTON® grigio Ventus
- DEKTON® Aura (marmo digitale)

### Note:

Attenzione: le venature riprodotte sulla superficie dei piani in DEKTON® Aura (marmo digitale) sono disposte in modo casuale, peculiarità che rende ciascun piano unico e non ripetibile. Questa caratteristica implica possibili differenze rispetto ai campioni, non contestabili quali imperfezioni o anomalie. In virtù della casualità della loro disposizione, non è possibile avere su richiesta venature più o meno omogenee.

Attenzione: le misure o le finiture contrassegnate con (!) hanno tempi di produzione più lunghi, circa 6 settimane dalla data dell'ordine.

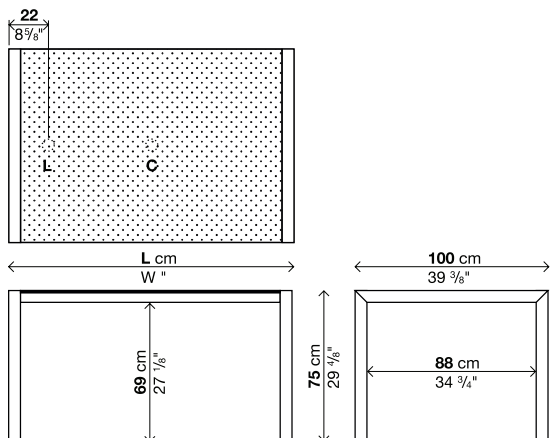
I tavoli che in estensione superano i 250 cm presentano una leggera flessione del piano, che rientra negli standard di qualità accettati.

Imballi rinforzati vedi interno di copertina.

Codice	Lunghezza	Gambe	Piano	colli	m <sup>3</sup>	Kg
			DEKTON®			
01SUS02F	177	Alluminio		1	0,45	74
		Verniciato				
01SUS08F	200	Alluminio		1	0,5	83
		Verniciato				
01SUS09F	240	Alluminio		1	0,6	97
		Verniciato				
01SUS82F	280	Alluminio		1	0,69	115
		Verniciato				

### Optionals

Codice	Descrizione	colli	m <sup>3</sup>	Kg
02GTA02	Taglio gambe a misura	-	-	-
02RET03	Rete cablaggio in materiale plastico	1	0,07	1
02VER01	Vertebra metacrilato opalino	1	0,007	1,5
02CPU03	Porta CPU in metacrilato opalino	1	0,14	5,5



**DEKTON®**  
by COSENTINO



HIGHLY UV RESISTANT



RESISTANT TO ABRASION



RESISTANT TO STAIN



MAXIMUM RESISTANCE TO FIRE AND HEAT



LOW WATER ABSORPTION



HIGH MECHANICAL RESISTANCE



COLOUR STABILITY



DIMENSIONAL STABILITY



FIREPROOF MATERIAL

# SUSHI LEGNO

## Allungabile - Profondità 90 cm

### Finitura gambe:

Alluminio anodizzato

Alluminio verniciato bianco (simile al RAL 9016)

Alluminio verniciato "Alucompact® grigio sabbia" (simile al RAL 9002)

Alluminio verniciato "Alucompact® grigio antracite" (simile al RAL 7015)

Alluminio verniciato "Fenix-NTM® grigio Londra" (simile al RAL Design0805005)

Alluminio verniciato nero (simile al RAL 9004)

Alluminio verniciato verde oliva (riferimento colore "Poliuretano verde oliva P008")

### Finitura piano/prolunghe:

Legno effetto rovere europeo

Legno effetto noce

Legno effetto rovere tinto nero

### Note:

Attenzione: le misure o le finiture contrassegnate con (!) hanno tempi di produzione più lunghi, circa 6 settimane dalla data dell'ordine.

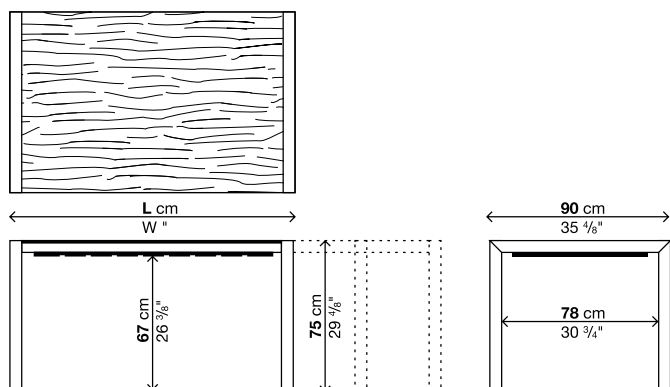
I tavoli che in estensione superano i 250 cm presentano una leggera flessione del piano, che rientra negli standard di qualità accettati.

Imballi rinforzati vedi interno di copertina.

Codice	Lunghezza	Gambe	Piano	colli	m³	Kg
			Legno			
01SUS06	177-212-247-282 con tre prolunghe	Alluminio		4	0,5	81
		Verniciato				
01SUS09	200-235-270-305 con tre prolunghe	Alluminio		4	0,53	88,5
		Verniciato				
01SUS35	220-264-308 (!) con due prolunghe	Alluminio		3	0,55	88
		Verniciato				

### Optionals

Codice	Descrizione	colli	m³	Kg
02GTA02	Taglio gambe a misura	-	-	-



# SUSHI LEGNO

## Fisso - Profondità 90 cm

### Finitura gambe:

Alluminio anodizzato

Alluminio verniciato bianco (simile al RAL 9016)

Alluminio verniciato "Alucompact® grigio sabbia" (simile al RAL 9002)

Alluminio verniciato "Alucompact® grigio antracite" (simile al RAL 7015)

Alluminio verniciato "Fenix-NTM® grigio Londra" (simile al RAL Design0805005)

Alluminio verniciato nero (simile al RAL 9004)

Alluminio verniciato verde oliva (riferimento colore "Poliuretano verde oliva P008")

### Finitura piano:

Legno effetto rovere europeo

Legno effetto noce

Legno effetto rovere tinto nero

### Note:

Attenzione: le misure o le finiture contrassegnate con (!) hanno tempi di produzione più lunghi, circa 6 settimane dalla data dell'ordine.

I tavoli che in estensione superano i 250 cm presentano una leggera flessione del piano, che rientra negli standard di qualità accettati.

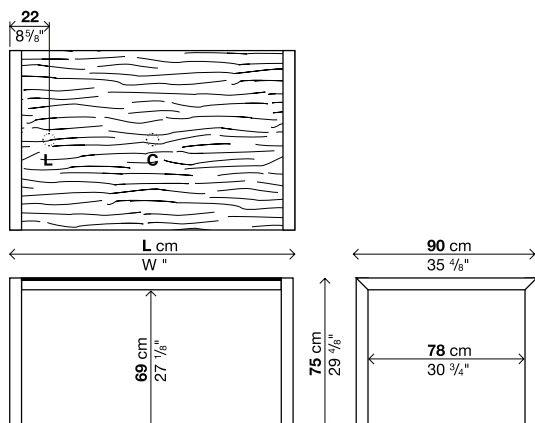
I tavoli di lunghezza 269 e 289 cm presentano una trafilata sottopiano di supporto centrale, pertanto eventuali fori passacavi non potranno essere posizionati centrati nella profondità ma lievemente spostati.

Imballi rinforzati vedi interno di copertina.

Codice	Lunghezza	Gambe	Piano		
			colli	m <sup>2</sup> Kg	
			Legno		
<b>01SUS64F</b>	200	Alluminio	1	0,46	57
		Verniciato			
<b>01SUS35F</b>	220 (!)	Alluminio	1	0,5	62
		Verniciato			
<b>01SUS68F</b>	240 (!)	Alluminio	1	0,55	66
		Verniciato			
<b>01SUS70F</b>	260 (!)	Alluminio	1	0,59	71
		Verniciato			
<b>01SUS72F</b>	280 (!)	Alluminio	1	0,63	79
		Verniciato			
<b>01SUS74F</b>	300 (!)	Alluminio	1	0,67	85
		Verniciato			

### Optionals

Codice	Descrizione	colli	m <sup>2</sup>	Kg
<b>02GTA02</b>	Taglio gambe a misura	-	-	-
<b>02FOR01</b>	Foro passacavi laterale o centrale Ø6	-	-	-
<b>02RET02</b>	Rete cablaggio in materiale plastico	1	0,07	1
<b>02VER01</b>	Vertebra in metacrilato opalino	1	0,007	1,5
<b>02CPU02</b>	Porta CPU in metacrilato opalino	1	0,14	5,5



# SUSHI LEGNO

## Allungabile - Profondità 100 cm

### Finitura gambe:

Alluminio anodizzato

Alluminio verniciato bianco (simile al RAL 9016)

Alluminio verniciato "Alucompact® grigio sabbia" (simile al RAL 9002)

Alluminio verniciato "Alucompact® grigio antracite" (simile al RAL 7015)

Alluminio verniciato "Fenix-NTM® grigio Londra" (simile al RAL Design0805005)

Alluminio verniciato nero (simile al RAL 9004)

Alluminio verniciato verde oliva (riferimento colore "Poliuretano verde oliva P008")

### Finitura piano/prolunghe:

Legno effetto rovere europeo

Legno effetto noce

Legno effetto rovere tinto nero

### Note:

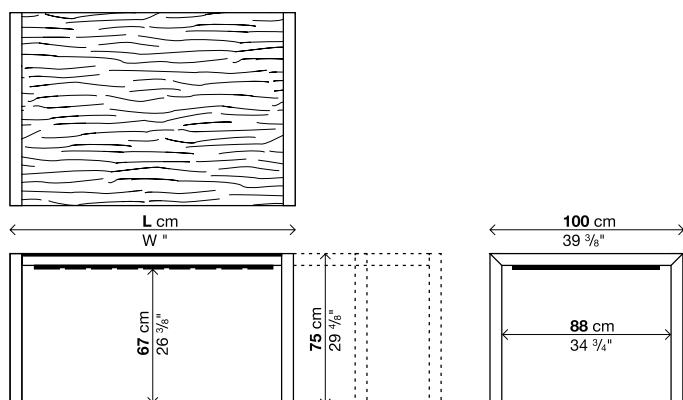
I tavoli che in estensione superano i 250 cm presentano una leggera flessione del piano, che rientra negli standard di qualità accettati.

Imballi rinforzati vedi interno di copertina.

Codice	Lunghezza	Gambe	Piano		colli	m <sup>3</sup>	Kg
				Legno			
01SUS02	177-212-247-282 con tre prolunghe	Alluminio			4	0,53	91
		Verniciato					
01SUS36	200-235-270-305 con tre prolunghe	Alluminio			4	0,58	98
		Verniciato					
01SUS05	220-264-308 con due prolunghe	Alluminio			3	0,62	98
		Verniciato					

### Optionals

Codice	Descrizione	colli	m <sup>3</sup>	Kg
02GTA02	Taglio gambe a misura	-	-	-



# SUSHI LEGNO

## Fisso - Profondità 100 cm

### Finitura gambe:

Alluminio anodizzato

Alluminio verniciato bianco (simile al RAL 9016)

Alluminio verniciato "Alucompact® grigio sabbia" (simile al RAL 9002)

Alluminio verniciato "Alucompact® grigio antracite" (simile al RAL 7015)

Alluminio verniciato "Fenix-NTM® grigio Londra" (simile al RAL Design0805005)

Alluminio verniciato nero (simile al RAL 9004)

Alluminio verniciato verde oliva (riferimento colore "Poliuretano verde oliva P008")

### Finitura piano:

Legno effetto rovere europeo

Legno effetto noce

Legno effetto rovere tinto nero

### Note:

Attenzione: le misure o le finiture contrassegnate con (!) hanno tempi di produzione più lunghi, circa 6 settimane dalla data dell'ordine.

I tavoli che in estensione superano i 250 cm presentano una leggera flessione del piano, che rientra negli standard di qualità accettati.

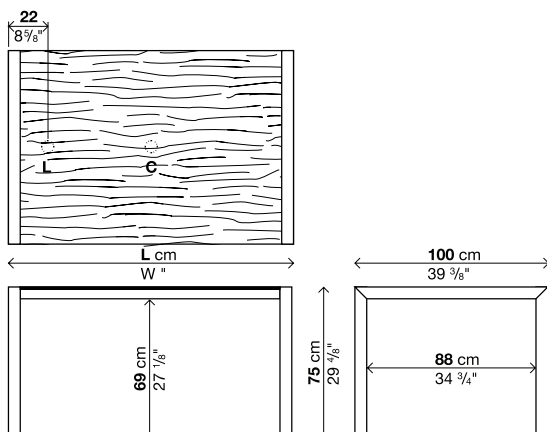
I tavoli di lunghezza 269 e 289 cm presentano una trafilata sottopiano di supporto centrale, pertanto eventuali fori passacavi non potranno essere posizionati centrati nella profondità ma lievemente spostati.

Imballi rinforzati vedi interno di copertina.

Codice	Lunghezza	Gambe	Piano	
			colli	m <sup>3</sup> Kg
			Legno	
<b>01SUS08F</b>	200	Alluminio Verniciato	1	0,5 62
<b>01SUS05F</b>	220	Alluminio Verniciato	1	0,55 67
<b>01SUS09F</b>	240 (!)	Alluminio Verniciato	1	0,6 72
<b>01SUS80F</b>	260 (!)	Alluminio Verniciato	1	0,65 77
<b>01SUS82F</b>	280 (!)	Alluminio Verniciato	1	0,69 85
<b>01SUS36F</b>	300 (!)	Alluminio Verniciato	1	0,74 90

### Optionals

Codice	Descrizione	colli	m <sup>3</sup>	Kg
<b>02GTA02</b>	Taglio gambe a misura	-	-	-
<b>02FOR01</b>	Foro passacavi laterale o centrale Ø6	-	-	-
<b>02RET02</b>	Rete cablaggio in materiale plastico	1	0,07	1
<b>02VER01</b>	Vertebra in metacrilato opalino	1	0,007	1,5
<b>02CPU03</b>	Porta CPU in metacrilato opalino	1	0,14	5,5





# SUSHI VETRO

## Allungabile - Profondità 80 cm

### Finitura gambe:

Alluminio anodizzato

Alluminio verniciato bianco (simile al RAL 9016)

Alluminio verniciato nero (simile al RAL 9004)

### Finitura piano:

Vetro lucido colori: extra white, grigio antracite, nero, titanio

Vetro opaco colori: extra white, grigio antracite, nero, titanio

### Finitura prolunghe:

Laminato Alucompact® bianco

Laminato Alucompact® grigio sabbia

Laminato Alucompact® grigio antracite

Laminato Alucompact® nero

### Note:

Nei tavoli con i codici contrassegnati con l'asterisco (\*) c'è la possibilità di aggiungere la terza prolunga per aumentare ulteriormente l'allungo.

Attenzione: le misure o le finiture contrassegnate con (!) hanno tempi di produzione più lunghi, circa 6 settimane dalla data dell'ordine.

I tavoli che in estensione superano i 250 cm presentano una leggera flessione del piano, che rientra negli standard di qualità accettati.

Imballi rinforzati vedi interno di copertina.

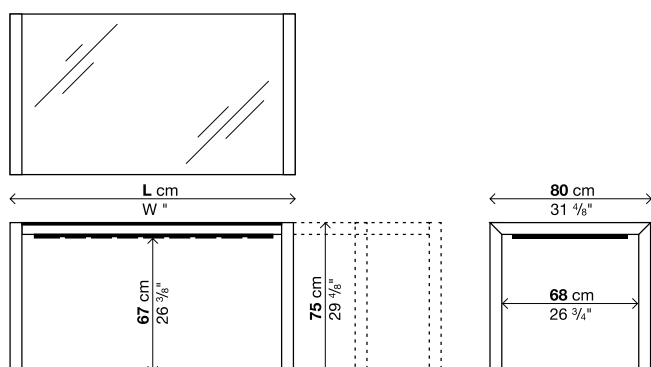
Codice	Lunghezza	Gambe	Piano		colli	m <sup>2</sup>	Kg
			Vetro lucido	Vetro opaco			
<b>01SUS11</b>	125-165-205	Alluminio			3	0,32	64
		Verniciato					
<b>01SUS13*</b>	150-190-230	Alluminio			3	0,37	72
		Verniciato					
<b>01SUS16*</b>	177-217-257	Alluminio			3	0,42	79
		Verniciato					

### (\*) 3<sup>a</sup> prolunga aggiuntiva

Codice	Lunghezza	Piano	colli	m <sup>2</sup>	Kg
		Alucompact®			
<b>50SUS5A</b>	33 cm		1	0,03	6

### Optionals

Codice	Descrizione	colli	m <sup>2</sup>	Kg
<b>02GTA02</b>	Taglio gambe a misura	-	-	-



# SUSHI VETRO

## Fisso - Profondità 80 cm

### Finitura gambe:

Alluminio anodizzato

Alluminio verniciato bianco (simile al RAL 9016)

Alluminio verniciato nero (simile al RAL 9004)

### Finitura piano:

Vetro lucido colori: extra white, grigio antracite, nero, titanio

Vetro opaco colori: extra white, grigio antracite, nero, titanio

### Note:

Attenzione: le misure o le finiture contrassegnate con (!) hanno tempi di produzione più lunghi, circa 6 settimane dalla data dell'ordine.

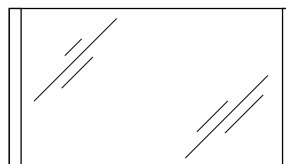
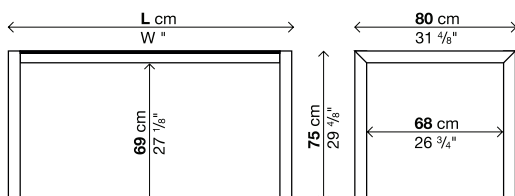
I tavoli che in estensione superano i 250 cm presentano una leggera flessione del piano, che rientra negli standard di qualità accettati.

Imballi rinforzati vedi interno di copertina.

Codice	Lunghezza	Gambe	Piano		colli	m <sup>3</sup>	Kg
			Vetro lucido	Vetro opaco			
<b>01SUS31F</b>	80	Alluminio			1	0,18	31
		Verniciato					
<b>01SUS11F</b>	125	Alluminio			1	0,27	44
		Verniciato					
<b>01SUS13F</b>	150	Alluminio			1	0,32	52
		Verniciato					
<b>01SUS33F</b>	177	Alluminio			1	0,37	58
		Verniciato					
<b>01SUS37F</b>	200	Alluminio			1	0,41	66
		Verniciato					
<b>01SUS39F</b>	220 (!)	Alluminio			1	0,45	72
		Verniciato					
<b>01SUS45F</b>	240 (!)	Alluminio			1	0,49	77
		Verniciato					
<b>01SUS49F</b>	260 (!)	Alluminio			1	0,53	83
		Verniciato					
<b>01SUS53F</b>	280 (!)	Alluminio			1	0,57	88
		Verniciato					
<b>01SUS56F</b>	300 (!)	Alluminio			1	0,61	94
		Verniciato					

### Optionals

Codice	Descrizione	colli	m <sup>3</sup>	Kg
<b>02GTA02</b>	Taglio gambe a misura	-	-	-
<b>02RET01</b>	Rete cablaggio in materiale plastico	1	0,07	1
<b>02VER01</b>	Vertebra metacrilato opalino	1	0,007	1,5
<b>02CPU01</b>	Porta CPU in metacrilato opalino	1	0,14	5,5



# SUSHI VETRO

## Allungabile - Profondità 90 cm

### Finitura gambe:

Alluminio anodizzato

Alluminio verniciato bianco (simile al RAL 9016)

Alluminio verniciato nero (simile al RAL 9004)

### Finitura piano:

Vetro lucido colori: extra white, grigio antracite, nero, titanio

Vetro opaco colori: extra white, grigio antracite, nero, titanio

### Finitura prolunghe:

Laminato Alucompact® bianco

Laminato Alucompact® grigio sabbia

Laminato Alucompact® grigio antracite

Laminato Alucompact® nero

### Note:

Nei tavoli con i codici contrassegnati con l'asterisco (\*) c'è la possibilità di aggiungere la terza prolunga per aumentare ulteriormente l'allungo.

Attenzione: le misure o le finiture contrassegnate con (!) hanno tempi di produzione più lunghi, circa 6 settimane dalla data dell'ordine.

I tavoli che in estensione superano i 250 cm presentano una leggera flessione del piano, che rientra negli standard di qualità accettati.

Imballi rinforzati vedi interno di copertina.

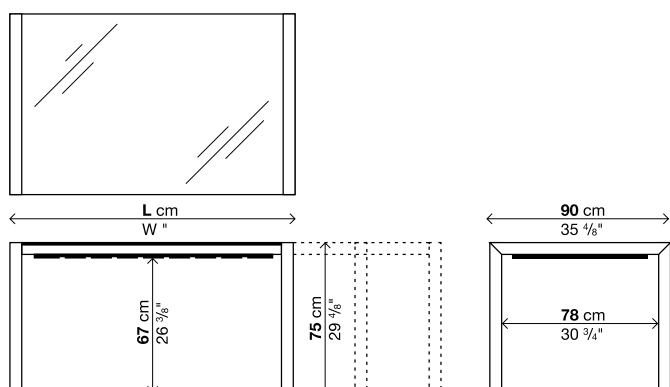
Codice	Lunghezza	Gambe	Piano		colli	m <sup>2</sup>	Kg
			Vetro lucido	Vetro opaco			
01SUS17*	150-187-224	Alluminio			3	0,41	81
		Verniciato					
01SUS15	177-214-251-288 3ª prolunga di serie	Alluminio			4	0,5	96
		Verniciato					
01SUS18*	200-237-274	Alluminio			3	0,51	98
		Verniciato					
01SUS52*	220-257-294	Alluminio			3	0,55	105
		Verniciato					

### (\*) 3ª prolunga aggiuntiva

Codice	Lunghezza	Piano		colli	m <sup>2</sup>	Kg
		Alucompact®				
50SUS2A	37,5 cm			1	0,03	6,5

### Optionals

Codice	Descrizione	colli	m <sup>2</sup>	Kg
02GTA02	Taglio gambe a misura	-	-	-



# SUSHI VETRO

## Fisso - Profondità 90 cm

### Finitura gambe:

Alluminio anodizzato

Alluminio verniciato bianco (simile al RAL 9016)

Alluminio verniciato nero (simile al RAL 9004)

### Finitura piano:

Vetro lucido colori: extra white, grigio antracite, nero, titanio

Vetro opaco colori: extra white, grigio antracite, nero, titanio

### Note:

Attenzione: le misure o le finiture contrassegnate con (!) hanno tempi di produzione più lunghi, circa 6 settimane dalla data dell'ordine.

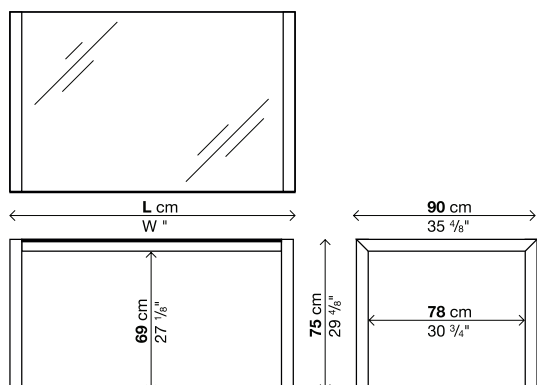
I tavoli che in estensione superano i 250 cm presentano una leggera flessione del piano, che rientra negli standard di qualità accettati.

Imballi rinforzati vedi interno di copertina.

Codice	Lunghezza	Gambe	Piano		colli	m <sup>3</sup>	Kg
			Vetro lucido	Vetro opaco			
<b>01SUS58F</b>	90	Alluminio			1	0,23	37
		Verniciato					
<b>01SUS63F</b>	125	Alluminio			1	0,3	51
		Verniciato					
<b>01SUS17F</b>	150	Alluminio			1	0,36	58
		Verniciato					
<b>01SUS15F</b>	177	Alluminio			1	0,42	67
		Verniciato					
<b>01SUS67F</b>	200	Alluminio			1	0,46	74
		Verniciato					
<b>01SUS52F</b>	220 (!)	Alluminio			1	0,5	80
		Verniciato					
<b>01SUS69F</b>	240 (!)	Alluminio			1	0,55	86
		Verniciato					
<b>01SUS71F</b>	260 (!)	Alluminio			1	0,59	92
		Verniciato					
<b>01SUS73F</b>	280 (!)	Alluminio			1	0,63	103
		Verniciato					
<b>01SUS75F</b>	300 (!)	Alluminio			1	0,67	109
		Verniciato					

### Optionals

Codice	Descrizione	colli	m <sup>3</sup>	Kg
<b>02GTA02</b>	Taglio gambe a misura	-	-	-
<b>02RET02</b>	Rete cablaggio in materiale plastico	1	0,07	1
<b>02VER01</b>	Vertebra metacrilato opalino	1	0,007	1,5
<b>02CPU02</b>	Porta CPU in metacrilato opalino	1	0,14	5,5



# SUSHI VETRO

## Allungabile - Profondità 100 cm

### Finitura gambe:

Alluminio anodizzato

Alluminio verniciato bianco (simile al RAL 9016)

Alluminio verniciato nero (simile al RAL 9004)

### Finitura piano:

Vetro lucido colori: extra white, grigio antracite, nero, titanio

Vetro opaco colori: extra white, grigio antracite, nero, titanio

### Finitura prolunghe:

Laminato Alucompact® bianco

Laminato Alucompact® grigio sabbia

Laminato Alucompact® grigio antracite

Laminato Alucompact® nero

### Note:

Nei tavoli con i codici contrassegnati con l'asterisco (\*) c'è la possibilità di aggiungere la terza prolunga per aumentare ulteriormente l'allungo.

Attenzione: le misure o le finiture contrassegnate con (!) hanno tempi di produzione più lunghi, circa 6 settimane dalla data dell'ordine.

I tavoli che in estensione superano i 250 cm presentano una leggera flessione del piano, che rientra negli standard di qualità accettati.

Imballi rinforzati vedi interno di copertina.

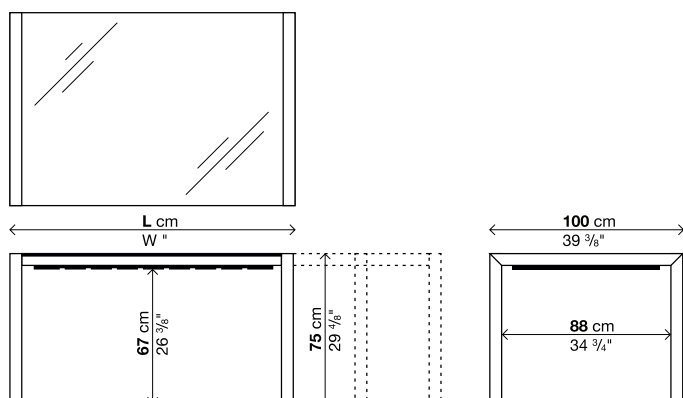
Codice	Lunghezza	Gambe	Piano		colli	m <sup>2</sup>	Kg
			Vetro lucido	Vetro opaco			
<b>01SUS14</b>	100-170	Alluminio			3	0,33	63
		Verniciato					
<b>01SUS12*</b>	177-224-271	Alluminio			3	0,52	101
		Verniciato					
<b>01SUS20*</b>	200-247-294	Alluminio			3	0,57	108
		Verniciato					
<b>01SUS19*</b>	220-267-314	Alluminio			3	0,62	118
		Verniciato					

### (\*) 3<sup>a</sup> prolunga aggiuntiva

Codice	Lunghezza	Piano	colli	m <sup>2</sup>	Kg
		Alucompact®			
<b>50SUS6A</b>	33 cm		1	0,03	6

### Optionals

Codice	Descrizione	colli	m <sup>2</sup>	Kg
<b>02GTA02</b>	Taglio gambe a misura	-	-	-



# SUSHI VETRO

## Fisso - Profondità 100 cm

### Finitura gambe:

Alluminio anodizzato

Alluminio verniciato bianco (simile al RAL 9016)

Alluminio verniciato nero (simile al RAL 9004)

### Finitura piano:

Vetro lucido colori: extra white, grigio antracite, nero, titanio

Vetro opaco colori: extra white, grigio antracite, nero, titanio

### Note:

Attenzione: le misure o le finiture contrassegnate con (!) hanno tempi di produzione più lunghi, circa 6 settimane dalla data dell'ordine.

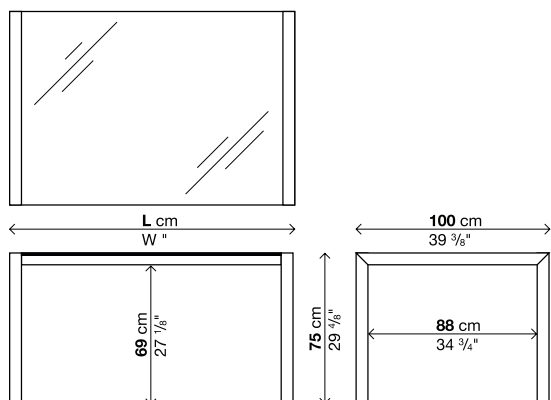
I tavoli che in estensione superano i 250 cm presentano una leggera flessione del piano, che rientra negli standard di qualità accettati.

Imballi rinforzati vedi interno di copertina.

Codice	Lunghezza	Gambe	Piano		colli	m <sup>3</sup>	Kg
			Vetro lucido	Vetro opaco			
<b>01SUS14F</b>	100	Alluminio			1	0,27	45
		Verniciato					
<b>01SUS79F</b>	150	Alluminio			1	0,39	63
		Verniciato					
<b>01SUS12F</b>	177	Alluminio			1	0,45	72
		Verniciato					
<b>01SUS16F</b>	200	Alluminio			1	0,5	80
		Verniciato					
<b>01SUS19F</b>	220	Alluminio			1	0,55	87
		Verniciato					
<b>01SUS50F</b>	240 (!)	Alluminio			1	0,6	93
		Verniciato					
<b>01SUS81F</b>	260 (!)	Alluminio			1	0,65	100
		Verniciato					
<b>01SUS83F</b>	280 (!)	Alluminio			1	0,69	110
		Verniciato					
<b>01SUS54F</b>	300 (!)	Alluminio			1	0,74	118
		Verniciato					

### Optionals

Codice	Descrizione	colli	m <sup>3</sup>	Kg
<b>02GTA02</b>	Taglio gambe a misura	-	-	-
<b>02RET03</b>	Rete cablaggio in materiale plastico	1	0,07	1
<b>02VER01</b>	Vertebra metacrilato opalino	1	0,007	1,5
<b>02CPU03</b>	Porta CPU in metacrilato opalino	1	0,14	5,5



# SUSHI VETRO

## Fisso - Profondità 124 cm

### Finitura gambe:

Alluminio anodizzato

Alluminio verniciato bianco (simile al RAL 9016)

Alluminio verniciato nero (simile al RAL 9004)

### Finitura piano:

Vetro lucido colori: extra white, grigio antracite, nero, titanio

Vetro opaco colori: extra white, grigio antracite, nero, titanio

### Note:

Attenzione: le misure o le finiture contrassegnate con (!) hanno tempi di produzione più lunghi, circa 6 settimane dalla data dell'ordine.

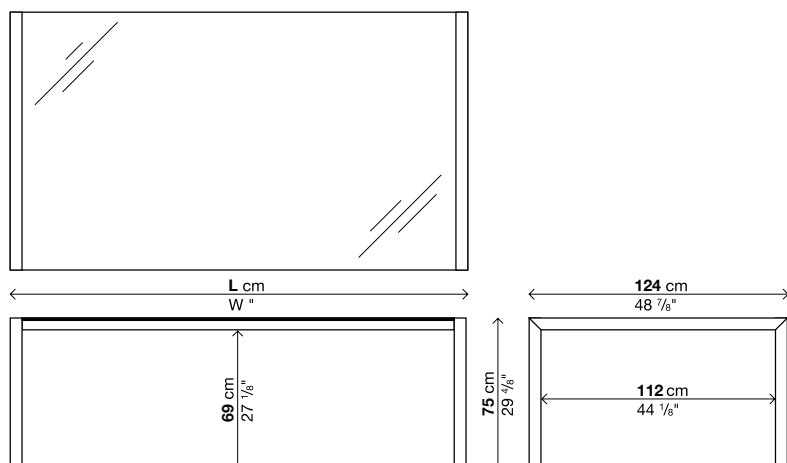
I tavoli che in estensione superano i 250 cm presentano una leggera flessione del piano, che rientra negli standard di qualità accettati.

Imballi rinforzati vedi interno di copertina.

Codice	Lunghezza	Gambe	Piano		colli	m³	Kg
			Vetro lucido	Vetro opaco			
01SUS89F	220 (!)	Alluminio			1	0,66	109
		Verniciato					
01SUS91F	240 (!)	Alluminio			1	0,72	118
		Verniciato					
01SUS93F	288 (!)	Alluminio			1	0,85	140
		Verniciato					

### Optionals

Codice	Descrizione	colli	m³	Kg
02GTA02	Taglio gambe a misura	-	-	-
02RET04	Rete cablaggio in materiale plastico	1	0,07	1
02VER01	Vertebra metacrilato opalino	1	0,007	1,5
02CPU04	Porta CPU in metacrilato opalino	1	0,14	5,5



# SUSHI VETRO

## Fisso - Profondità 140 cm

### Finitura gambe:

Alluminio anodizzato

Alluminio verniciato bianco (simile al RAL 9016)

Alluminio verniciato nero (simile al RAL 9004)

### Finitura piano:

Vetro lucido colori: extra white, grigio antracite, nero, titanio

Vetro opaco colori: extra white, grigio antracite, nero, titanio

### Note:

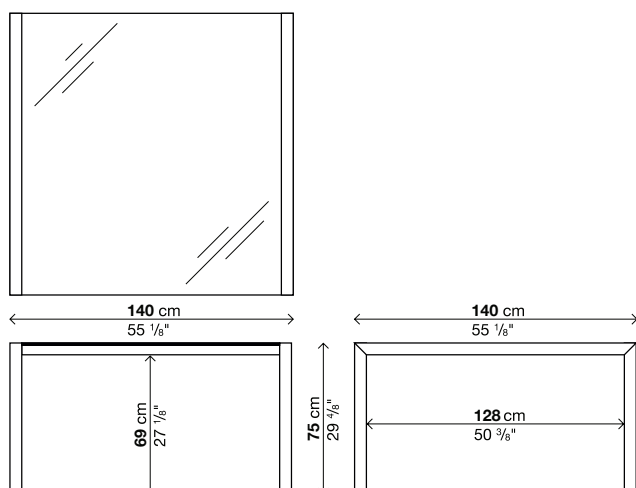
Attenzione: le misure o le finiture contrassegnate con (!) hanno tempi di produzione più lunghi, circa 6 settimane dalla data dell'ordine.

Imballi rinforzati vedi interno di copertina.

Codice	Lunghezza	Gambe	Piano		colli	m <sup>3</sup>	Kg
			Vetro lucido	Vetro opaco			
<b>01SUS18F</b>	140 (!)	Alluminio			1	0,52	73
		Verniciato					

### Optionals

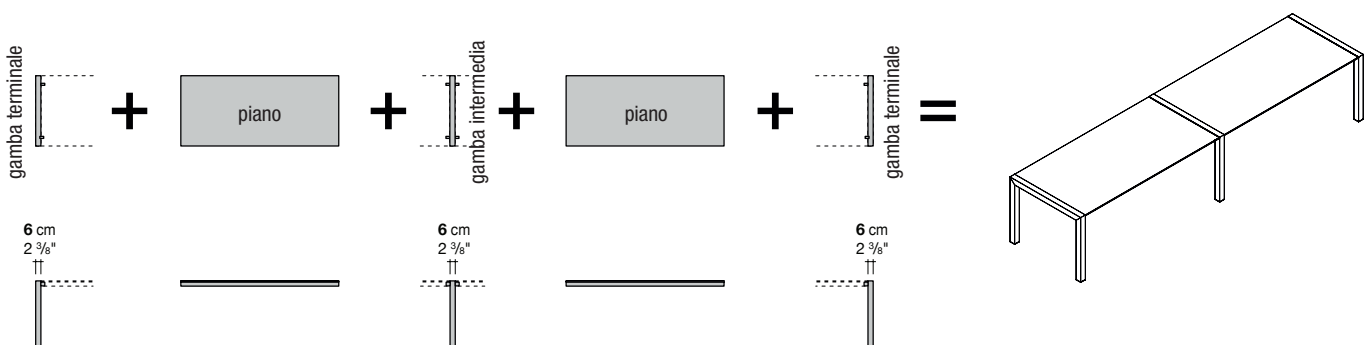
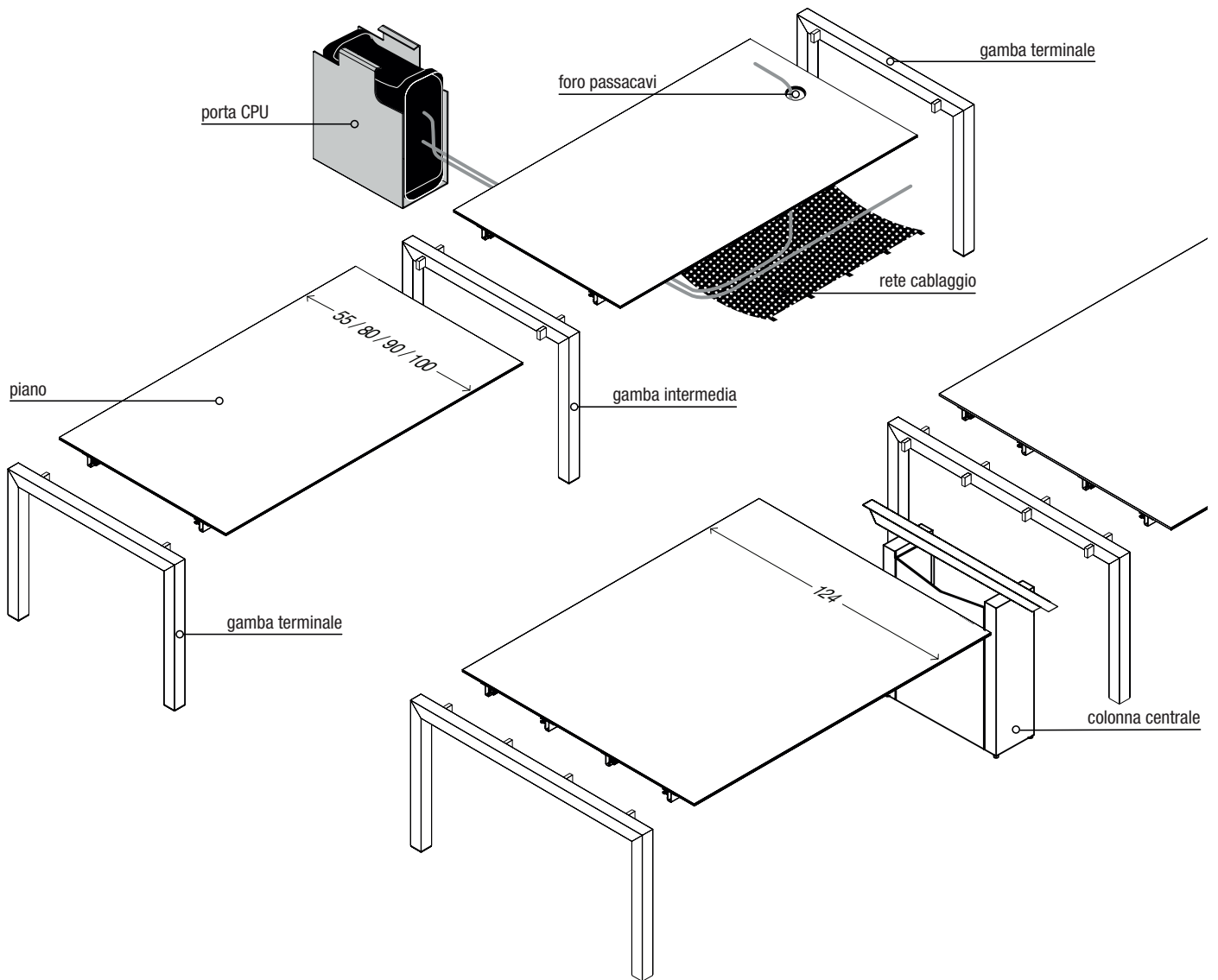
Codice	Descrizione	colli	m <sup>3</sup>	Kg
<b>02GTA02</b>	Taglio gambe a misura	-	-	-
<b>02VER01</b>	Vertebra metacrilato opalino	1	0,007	1,5





# SUSHI COMPONIBILE

## Schema di assemblaggio



# SUSHI componibile

## Piano in Alucompact® - Tavolo, Tavolo meeting

### Finitura piano:

Laminato Alucompact® bianco  
Laminato Alucompact® grigio sabbia  
Laminato Alucompact® grigio antracite  
Laminato Alucompact® nero

### Note:

Su richiesta (per quantità) è possibile realizzare i piani in diversi materiali: laminato Pure-white, Fenix-NTM®, vetro.

Attenzione: le misure o le finiture contrassegnate con (!) hanno tempi di produzione più lunghi, circa 6 settimane dalla data dell'ordine.

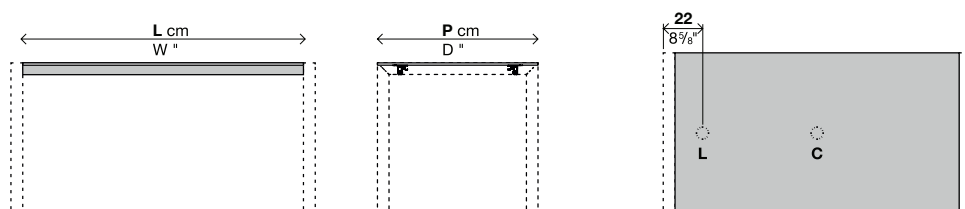
I tavoli che in estensione superano i 250 cm presentano una leggera flessione del piano, che rientra negli standard di qualità accettati.

Imballi rinforzati vedi interno di copertina.

Codice	Dimensioni	Piano	colli	m <sup>2</sup>	Kg
		Alucompact®			
01SUS00	113 x 55 (!)		1	0,2	18
01SUS01	135 x 55 (!)		1	0,24	24
01SUS02	204 x 55 (!)		1	0,33	35
01SUS03	113 x 80		1	0,27	27
01SUS04	138 x 80		1	0,32	32
01SUS15	165 x 80 (!)		1	0,37	37
01SUS05	138 x 90		1	0,36	38
01SUS06	165 x 90		1	0,42	42
01SUS64	188 x 90 (!)		1	0,46	47
01SUS16	208 x 90 (!)		1	0,5	52
01SUS68	228 x 90 (!)		1	0,55	56
01SUS70	248 x 90 (!)		1	0,59	61
01SUS72	268 x 90 (!)		1	0,63	69
01SUS74	288 x 90 (!)		1	0,67	75
01SUS07	88 x 100		1	0,27	26
01SUS08	165 x 100		1	0,45	52
01SUS13	188 x 100 (!)		1	0,5	51
01SUS09	208 x 100 (!)		1	0,55	56
01SUS14	228 x 100 (!)		1	0,6	61
01SUS80	248 x 100 (!)		1	0,65	68
01SUS82	268 x 100 (!)		1	0,69	75
01SUS36	288 x 100 (!)		1	0,74	80
01SUS88	208 x 124 (!)		1	0,66	75
01SUS90	228 x 124 (!)		1	0,72	81
01SUS12	276 x 124 (!)		1	0,85	97

### Optionals

Codice	Descrizione	colli	m <sup>2</sup>	Kg
02FOR01	Foro passacavi laterale o centrale Ø6 cm	-	-	-



# SUSHI COMPONIBILE

## Piano in Alucompact® - Dattilo

### Finitura piano:

Laminato Alucompact® bianco  
Laminato Alucompact® grigio sabbia  
Laminato Alucompact® grigio antracite  
Laminato Alucompact® nero

### Note:

Su richiesta (per quantità) è possibile realizzare i piani in diversi materiali: laminato Pure-white, Fenix-NTM®, vetro.

Attenzione: le misure o le finiture contrassegnate con (!) hanno tempi di produzione più lunghi, circa 6 settimane dalla data dell'ordine.

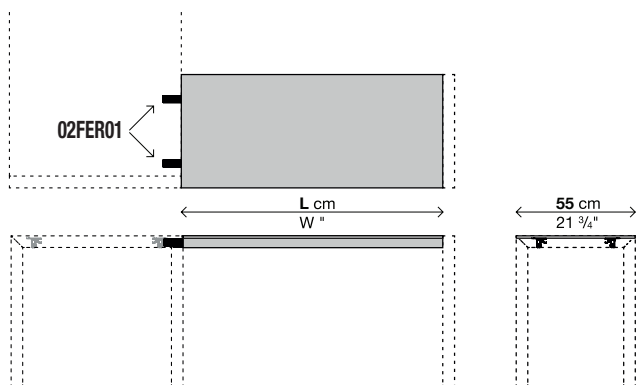
I tavoli che in estensione superano i 250 cm presentano una leggera flessione del piano, che rientra negli standard di qualità accettati.

Imballi rinforzati vedi interno di copertina.

Codice	Dimensioni	Piano	colli m³ Kg	
		Alucompact®		
<b>02SUS00</b>	113 x 55 (!)		1	0,2 18
<b>02SUS01</b>	135 x 55 (!)		1	0,24 24
<b>02SUS02</b>	204 x 55 (!)		1	0,33 35

### Optionals

Codice	Descrizione	colli m³ Kg	
<b>02FER01</b>	Ferramenta dattilo	-	- 1,5



# SUSHI COMPONENTIBILE

## Gamba terminale / Gamba intermedia / Colonna centrale

### Finitura gambe:

Alluminio anodizzato

Alluminio verniciato bianco (simile al RAL 9016)

Alluminio verniciato "Alucompact® grigio sabbia" (simile al RAL 9002)

Alluminio verniciato "Alucompact® grigio antracite" (simile al RAL 7015)

Alluminio verniciato nero (simile al RAL 9004)

### Finitura colonna:

Acciaio verniciato grigio alluminio (simile al RAL 7042)

Acciaio verniciato bianco (simile al RAL 9016)

Acciaio verniciato "Alucompact® grigio sabbia" (simile al RAL 9002)

Acciaio verniciato "Alucompact® grigio antracite" (simile al RAL 7015)

Acciaio verniciato nero (simile al RAL 9004)

### Gamba terminale

Codice	Profondità	Finitura		colli	m <sup>3</sup>	Kg
		Alluminio anodizzato	Alluminio verniciato			
<b>02CAV01</b>	55			1	0,22	10
<b>02CAV02</b>	80			1	0,22	10,2
<b>02CAV03</b>	90			1	0,22	10,3
<b>02CAV04</b>	100			1	0,22	10,5
<b>02CAV01A</b>	124			1	0,26	11

### Gamba intermedia

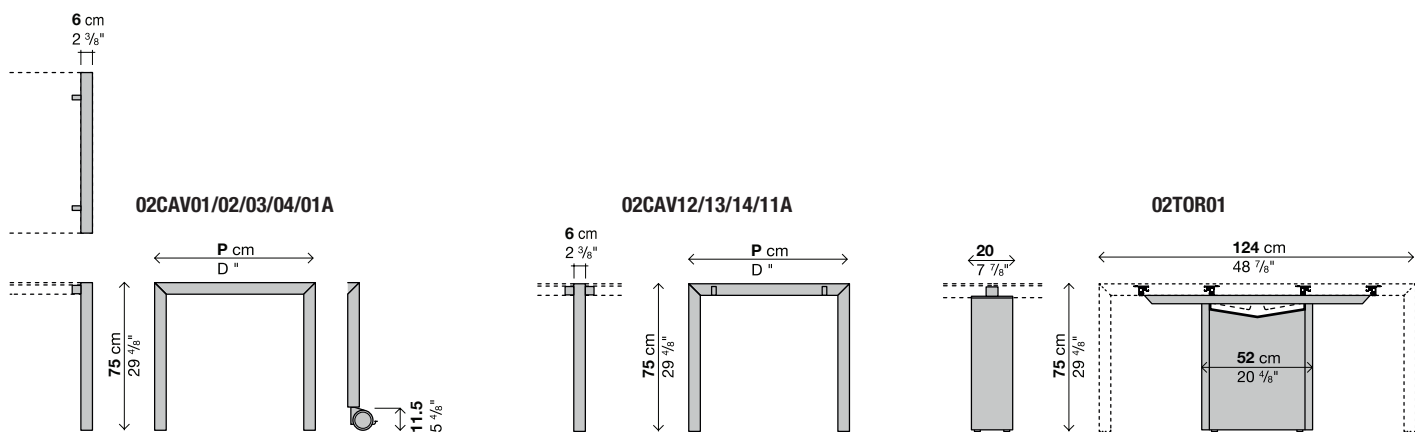
Codice	Profondità	Finitura		colli	m <sup>3</sup>	Kg
		Alluminio anodizzato	Alluminio verniciato			
<b>02CAV12</b>	80			1	0,22	10,5
<b>02CAV13</b>	90			1	0,22	10,6
<b>02CAV14</b>	100			1	0,22	10,7
<b>02CAV11A</b>	124			1	0,26	12

### Colonna centrale

Codice	Profondità	Finitura		colli	m <sup>3</sup>	Kg
		Acciaio verniciato				
<b>02TOR01</b>	124			1	0,14	19,5

### Optionals

Codice	Descrizione	colli	m <sup>3</sup>	Kg
<b>02GTA01</b>	Taglio gamba a misura	-	-	-
<b>02CRU01</b>	Coppia ruote con freno	-	-	1



# SUSHI COMPONENTIBILE

## Porta CPU / Rete cablaggio / Vertebra

### Finitura porta CPU:

Metacrilato opalino

### Finitura rete cablaggio:

Materiale plastico ignifugo

### Finitura vertebra:

Metacrilato opalino

### Porta CPU

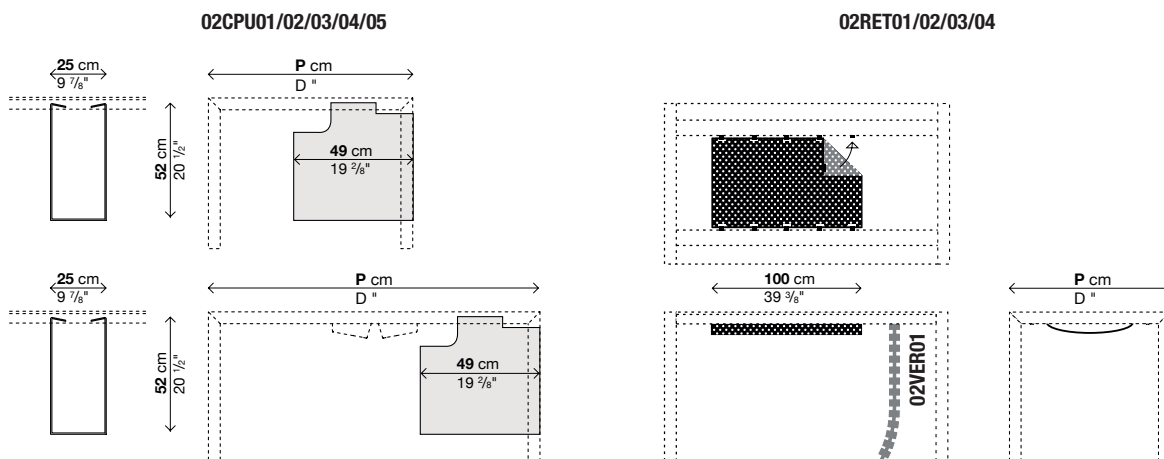
Codice	Profondità	Finitura	colli	m <sup>3</sup>	Kg
		Metacrilato opalino			
<b>02CPU01</b>	80		1	0,14	5,5
<b>02CPU02</b>	90		1	0,14	5,5
<b>02CPU03</b>	100		1	0,14	5,5
<b>02CPU04</b>	124		1	0,14	5,5
<b>02CPU05</b>	160		1	0,14	5,5

### Rete cablaggio

Codice	Profondità	Finitura	colli	m <sup>3</sup>	Kg
		Materiale plastico ignifugo			
<b>02RET01</b>	80		1	0,07	1
<b>02RET02</b>	90		1	0,07	1
<b>02RET03</b>	100		1	0,07	1
<b>02RET04</b>	124		1	0,07	1

### Vertebra

Codice	Finitura	colli	m <sup>3</sup>	Kg
	Metacrilato opalino			
<b>02VER01</b>		1	0,01	1,5



# SUSHI

## Übersicht

### Prof. 80 cm Depth 314/8"

80	80 cm 314/8"	→ Alucompact® → Pure-white → Glas
	125 cm 492/8"	→ Alucompact® → Pure-white → Glas
	125/165/205 cm 492/8/65/803/4"	→ Alucompact® → Pure-white → Glas
	150 cm 59"	→ Alucompact® → Pure-white → Glas
	150/190/230 cm 59/747/8/904/8"	→ Alucompact® → Pure-white → Glas
	177 cm 693/4"	→ Alucompact® → Pure-white → Glas
	177/217/257 cm 693/4/854/8/1012/8"	→ Alucompact® → Pure-white → Glas
	200 cm 783/4"	→ Alucompact® → Pure-white → Glas
	220 cm 865/8"	→ Alucompact® → Pure-white → Glas
	240 cm 944/8"	→ Alucompact® → Pure-white → Glas
	260 cm 1023/8"	→ Alucompact® → Pure-white → Glas
	280 cm 1102/8"	→ Alucompact® → Pure-white → Glas
300 cm 1181/8"	→ Alucompact® → Pure-white → Glas	

### Prof. 90 cm Depth 353/8"

90	90 cm 353/8"	→ Alucompact® → Pure-white → Glas
	125 cm 492/8"	→ Alucompact® → Pure-white → Glas
	150 cm 59"	→ Alucompact® → Pure-white → Fenix-NTM® → Glas → DEKTON®
	150/187/224 cm 59/735/8/882/8"	→ Alucompact® → Pure-white → Fenix-NTM® → Glas
	150/187/224 cm 59/735/8/882/8"	→ DEKTON®
	177 cm 693/4"	→ Alucompact® → Pure-white → Fenix-NTM® → Glas → DEKTON®
	177/212/247/282 cm 693/4/834/8/972/8/111"	→ Holz
	177/214/251/288 cm 693/4/842/8/987/8/1133/8"	→ Alucompact® → Pure-white → Fenix-NTM® → Glas
	177/214/251 cm 693/4/842/8/987/8"	→ DEKTON®
	200 cm 786/4"	→ Alucompact® → Pure-white → Fenix-NTM® → Glas → DEKTON® → Holz
	200/235/270/305 cm 786/8/924/8/1062/8/1201/8"	→ Holz
	200/237/274 cm 786/4/931/4/1077/8"	→ Alucompact® → Pure-white → Fenix-NTM® → Glas
	200/237/274 cm 786/4/931/4/1077/8"	→ DEKTON®
	220 cm 865/8"	→ Alucompact® → Pure-white → Fenix-NTM® → Glas → Holz
	220/257/294 cm 865/8/1012/8/1161/8"	→ Alucompact® → Pure-white → Fenix-NTM® → Glas
	220/264/308 cm 865/8/1037/8/1212/8"	→ Holz
	240 cm 944/8"	→ Alucompact® → Pure-white → Glas → Holz
	260 cm 1023/8"	→ Alucompact® → Pure-white → Glas → Holz

90	280 cm 1102/8"	→ Alucompact® → Pure-white → Glas → Holz
	300 cm 1181/8"	→ Alucompact® → Pure-white → Glas → Holz
100	100 cm 393/8"	→ Alucompact® → Pure-white → Glas
	100/170 cm 393/8/67"	→ Alucompact® → Pure-white → Glas
	150 cm 59"	→ Alucompact® → Pure-white → Glas
	177 cm 693/4"	→ Alucompact® → Pure-white → Fenix-NTM® → Glas → DEKTON®
	177/224/271 cm 693/4/885/8/1063/4"	→ Alucompact® → Pure-white → Fenix-NTM® → Glas
	177/214/251 cm 693/4/842/8/987/8"	→ DEKTON®
	177/212/247/282 cm 693/4/834/8/972/8/111"	→ Holz
	200 cm 783/4"	→ Alucompact® → Pure-white → Fenix-NTM® → Glas → DEKTON® → Holz
	200/247/294 cm 783/4/972/8/1153/4"	→ Alucompact® → Pure-white → Fenix-NTM® → Glas
	200/237/274 cm 783/4/931/4/1077/8"	→ DEKTON®
	200/235/270/305 cm 783/4/924/8/1062/8/1201/8"	→ Holz
	220 cm 865/8"	→ Alucompact® → Pure-white → Fenix-NTM® → Glas → Holz
220/267/314 cm 865/8/1051/8/1233/4"	→ Alucompact® → Pure-white → Fenix-NTM® → Glas	
220/264/308 cm 865/8/1037/8/1212/8"	→ Holz	

\* = 3. zusätzliche Verlängerung (auf Anfrage)

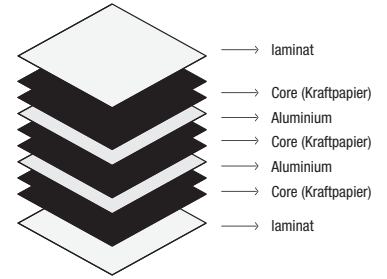
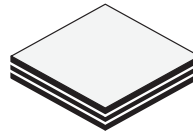
# Platten

100	240 cm 94 7/8"	→ Alucompact® → Pure-white → Glas → DEKTON® → Holz
	260 cm 102 3/8"	→ Alucompact® → Pure-white → Glas → Holz
	280 cm 110 2/8"	→ Alucompact® → Pure-white → Glas → DEKTON® → Holz
	300 cm 118 1/8"	→ Alucompact® → Pure-white → Glas → Holz

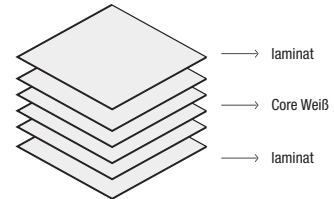
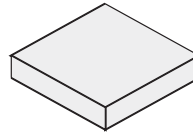
124	<b>Prof. 124 cm</b> Depth 48 7/8"	
	220 cm 86 5/8"	→ Alucompact® → Pure-white → Glas
	240 cm 94 4/8"	→ Alucompact® → Pure-white → Glas
140	<b>Prof. 140 cm</b> Depth 55 1/8"	
	140 cm 55 1/8"	→ Glas

140	<b>Prof. 140 cm</b> Depth 55 1/8"	
	140 cm 55 1/8"	→ Glas

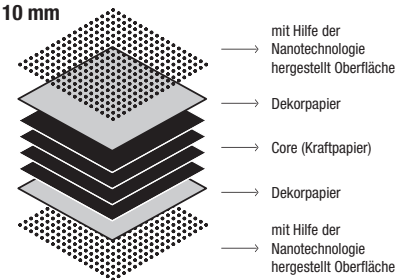
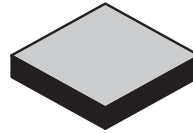
## Alucompact® St. 10 mm



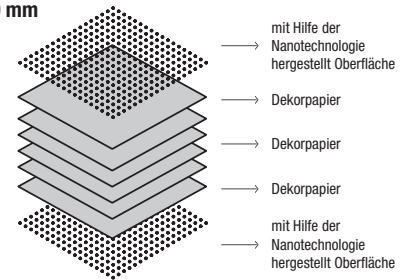
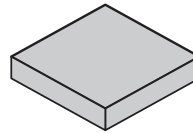
## Pure-white St. 10 mm



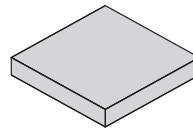
## Fenix-NTM® schwarze Kante St. 10 mm



## Fenix-NTM® farbige Kante St. 10 mm

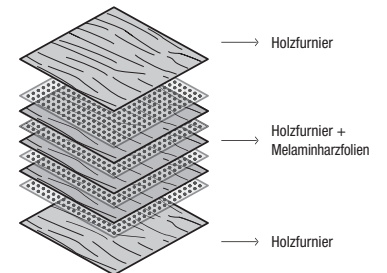
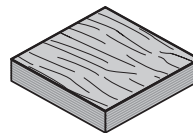


## DEKTON® by Cosentino St. 8 mm

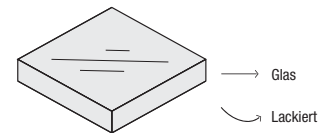
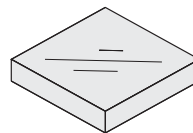


Dekton ist ein hoch entwickeltes Rohstoffgemisch, das für die Erzeugung von Glas, Keramik der letzten Generation und Quarzoberflächen mit höchster Qualität eingesetzt wird.

## Holz St. 10 mm



## Glas St. 10 mm



# SUSHI ALUCOMPACT® / PURE-WHITE

## Erweiterbar - Tiefe 80 cm

### Ausführung der Beine:

Eloxiertes Aluminium  
 Weiß lackiertes Aluminium (farbähnlich wie RAL 9016)  
 "Alucompact® Sandgrau" lackiertes Aluminium (farbähnlich wie RAL 9002)  
 "Alucompact® Anthrazitgrau" lackiertes Aluminium (farbähnlich wie RAL 7015)  
 Schwarz lackiertes Aluminium (farbähnlich wie RAL 9004)

### Ausführung der Platte/Verlängerungen:

Laminat Alucompact® (Weiß, Sandgrau, Anthrazitgrau, Schwarz)

---

Laminat Pure-white Weiß

### Anmerkung:

Bei den Tischen, deren Artikelnummern mit Sternchen (\*) markiert sind, ist das Hinzufügen einer dritten Verlängerung möglich, wodurch der Tisch noch größer wird.

Achtung: Die mit (!) gekennzeichneten Maße oder Ausführungen haben eine längere Produktionszeit: zirka 6 Wochen ab Auftragsdatum.

Jene Tische, die im ausgezogenen Zustand eine Länge von 250 cm überschreiten, weisen eine leichte Biegung der Platte auf, die jedoch innerhalb der festgelegten qualitativen Standards liegt.

Für verstärkte Verpackungen siehe Innenseite des Umschlags.

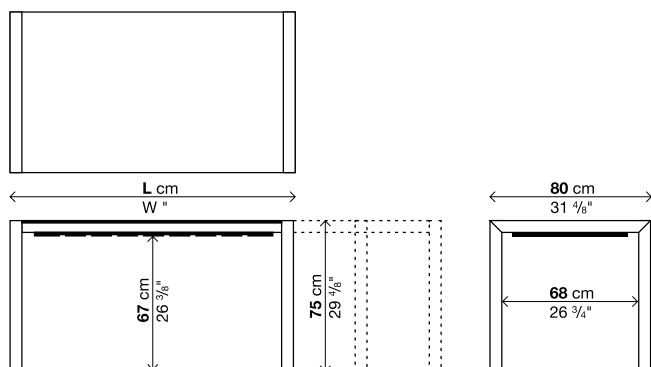
Art.-Nr.	Länge	Beine	Platte		kolli	m <sup>2</sup>	Kg
			Alucompact®	Pure-white (!)			
01SUS01	125-165-205	Aluminium			3	0,32	55
		Lackiert					
01SUS03*	150-190-230	Aluminium			3	0,37	61
		Lackiert					
01SUS08*	177-217-257	Aluminium			3	0,42	67
		Lackiert					

### (\*) 3. zusätzliche Verlängerung

Art.-Nr.	Länge	Platte		kolli	m <sup>2</sup>	Kg
		Alucompact®	Pure-white			
50SUS5A	33 cm			1	0,03	6

### Optionen

Art.-Nr.	Beschreibung	kolli	m <sup>2</sup>	Kg
02GTA02	Zuschnitt der Beine nach Maß	-	-	-





# SUSHI ALUcompact® / PURE-WHITE

## Fixmaße - Tiefe 80 cm

### Ausführung der Beine:

Eloxiertes Aluminium

Weiß lackiertes Aluminium (farbähnlich wie RAL 9016)

"Alucompact® Sandgrau" lackiertes Aluminium (farbähnlich wie RAL 9002)

"Alucompact® Anthrazitgrau" lackiertes Aluminium (farbähnlich wie RAL 7015)

Schwarz lackiertes Aluminium (farbähnlich wie RAL 9004)

### Ausführung der Platte:

Laminat Alucompact® (Weiß, Sandgrau, Anthrazitgrau, Schwarz)

---

Laminat Pure-white Weiß

### Anmerkung:

Achtung: Die mit (!) gekennzeichneten Maße oder Ausführungen haben eine längere Produktionszeit: zirka 6 Wochen ab Auftragsdatum.

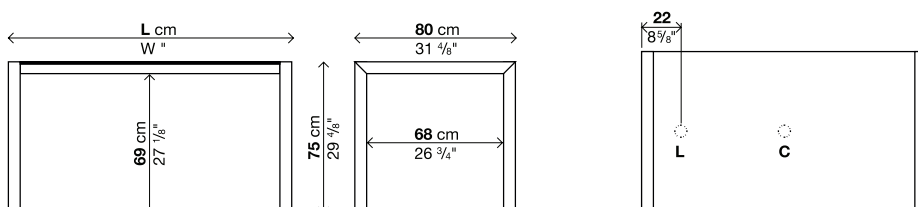
Jene Tische, die im ausgezogenen Zustand eine Länge von 250 cm überschreiten, weisen eine leichte Biegung der Platte auf, die jedoch innerhalb der festgelegten qualitativen Standards liegt.

Für verstärkte Verpackungen siehe Innenseite des Umschlags.

Art.-Nr.	Länge	Beine	Platte		kolli	m³	Kg
			Alucompact®	Pure-white			
01SUS10F	80 (!)	Aluminium			1	0,18	26
		Lackiert					
01SUS01F	125 (!)	Aluminium			1	0,27	35
		Lackiert					
01SUS03F	150 (!)	Aluminium			1	0,32	41
		Lackiert					
01SUS32F	177 (!)	Aluminium			1	0,37	47
		Lackiert					
01SUS34F	200 (!)	Aluminium			1	0,41	52
		Lackiert					
01SUS38F	220 (!)	Aluminium			1	0,45	56
		Lackiert					
01SUS43F	240 (!)	Aluminium			1	0,49	60
		Lackiert					
01SUS48F	260 (!)	Aluminium			1	0,53	65
		Lackiert					
01NOR51F	280 (!)	Aluminium			1	0,57	68
		Lackiert					
01NOR55F	300 (!)	Aluminium			1	0,61	72
		Lackiert					

### Optionen

Art.-Nr.	Beschreibung	kolli	m³	Kg
02GTA02	Zuschnitt der Beine nach Maß	-	-	-
02FOR01	Seitlicher oder mittlerer Kabeldurchlass	-	-	-
02RET01	Kabelnetz, Kunststoffmaterial	1	0,07	1
02VER01	Kabelschlange, mattes Methacrylat	1	0,007	1,5
02CPU01	CPU-Träger, mattes Methacrylat	1	0,14	5,5



# SUSHI ALUcompact® / PURE-WHITE / FENIX-NTM®

## Erweiterbar - Tiefe 90 cm

### Ausführung der Beine:

Eloxiertes Aluminium  
 Weiß lackiertes Aluminium (farbähnlich wie RAL 9016)  
 "Alucompact® Sandgrau" lackiertes Aluminium (farbähnlich wie RAL 9002)  
 "Alucompact® Anthrazitgrau" lackiertes Aluminium (farbähnlich wie RAL 7015)  
 Schwarz lackiertes Aluminium (farbähnlich wie RAL 9004)  
 Olivgrün lackiertes Aluminium (farbähnlich wie "Polyurethan Olivgrün P008")

### Ausführung der Platte/Verlängerungen:

Laminat Alucompact® (Weiß, Sandgrau, Anthrazitgrau, Schwarz)  
 ---  
 Laminat Pure-white Weiß  
 ---  
 Fenix-NTM® mit schwarzer Kante (Weiß Kos 0032, Grau London 0718, Grau Bromo 0724, Schwarz Ingo 0720)  
 ---  
 Fenix-NTM® mit farbiger Kante (Weiß Kos 0032, Grau London 0718)

### Anmerkung:

Bei den Tischen, deren Artikelnummern mit Sternchen (\*) markiert sind, ist das Hinzufügen einer dritten Verlängerung möglich, wodurch der Tisch noch größer wird.

Achtung: Die mit (!) gekennzeichneten Maße oder Ausführungen haben eine längere Produktionszeit: zirka 6 Wochen ab Auftragsdatum.

Jene Tische, die im ausgezogenen Zustand eine Länge von 250 cm überschreiten, weisen eine leichte Biegung der Platte auf, die jedoch innerhalb der festgelegten qualitativen Standards liegt.

Für verstärkte Verpackungen siehe Innenseite des Umschlags.

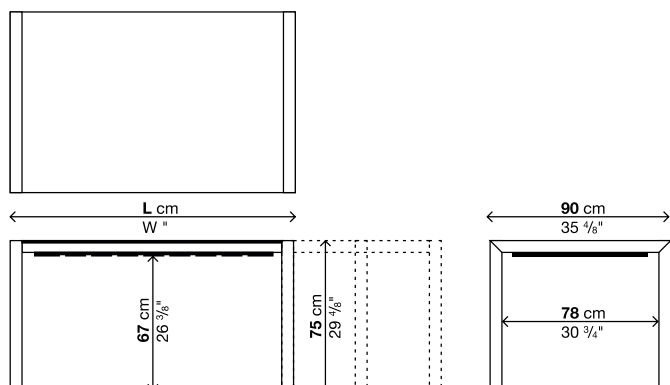
Art.-Nr.	Länge	Beine	Platte				kolli	m³	Kg
			Alucompact®	Fenix-NTM® mit schwarzer Kante	Pure-white	Fenix-NTM® mit farbiger Kante			
01SUS07*	150-187-224	Aluminium					3	0,41	71
		Lackiert							
01SUS06	177-214-251-288 dritte Verlängerung standard	Aluminium					4	0,5	81
		Lackiert							
01SUS09*	200-237-274	Aluminium					3	0,51	82
		Lackiert							
01SUS35*	220-257-294	Aluminium					3	0,55	88
		Lackiert							

### (\* 3. zusätzliche Verlängerung

Art.-Nr.	Länge	Platte				kolli	m³	Kg
		Alucompact®	Fenix-NTM® mit schwarzer Kante	Pure-white	Fenix-NTM® mit farbiger Kante			
50SUS2A	37,5 cm					1	0,03	6,5

### Optionen

Art.-Nr.	Beschreibung	kolli	m³	Kg
02GTA02	Zuschnitt der Beine nach Maß	-	-	-



# SUSHI ALUcompact® / PURE-WHITE / FENIX-NTM®

## Fixmaße - Tiefe 90 cm

### Ausführung der Beine:

Eloxiertes Aluminium  
 Weiß lackiertes Aluminium (farbähnlich wie RAL 9016)  
 "Alucompact® Sandgrau" lackiertes Aluminium (farbähnlich wie RAL 9002)  
 "Alucompact® Anthrazitgrau" lackiertes Aluminium (farbähnlich wie RAL 7015)  
 Schwarz lackiertes Aluminium (farbähnlich wie RAL 9004)  
 Olivgrün lackiertes Aluminium (farbähnlich wie "Polyurethan Olivgrün P008")

### Ausführung der Platte:

Laminat Alucompact® (Weiß, Sandgrau, Anthrazitgrau, Schwarz)  
 Laminat Pure-white Weiß

---  
 Fenix-NTM® mit schwarzer Kante (Weiß Kos 0032, Grau London 0718, Grau Bromo 0724, Schwarz Ingo 0720)  
 Fenix-NTM® mit farbiger Kante (Weiß Kos 0032, Grau London 0718)

### Anmerkung:

Achtung: Die mit (!) gekennzeichneten Maße oder Ausführungen haben eine längere Produktionszeit: zirka 6 Wochen ab Auftragsdatum.

Jene Tische, die im ausgezogenen Zustand eine Länge von 250 cm überschreiten, weisen eine leichte Biegung der Platte auf, die jedoch innerhalb der festgelegten qualitativen Standards liegt.

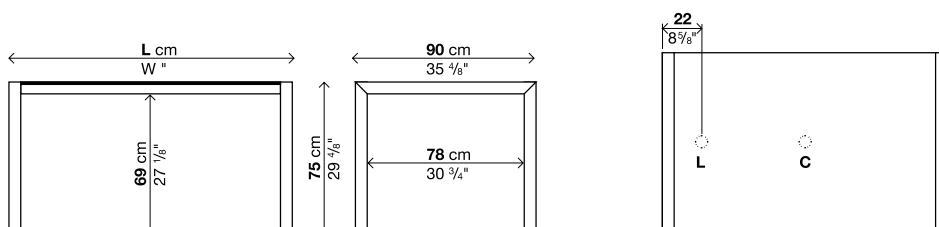
I tavoli lunghezza 280 e 300 cm presentano una tra la sottopiano di supporto centrale, pertanto eventuali fori passacavi non potranno essere posizionati centrati nella profondità ma lievemente spostati.

Für verstärkte Verpackungen siehe Innenseite des Umschlags.

Art.-Nr.	Länge	Beine	Platte				kolli m³ Kg
			Alucompact®	Fenix-NTM® mit schwarzer Kante	Pure-white	Fenix-NTM® mit farbiger Kante	
<b>01SUS57F</b>	90	Aluminium		-		-	1 0,23 30
		Lackiert		-		-	
<b>01SUS59F</b>	125	Aluminium		-		-	1 0,3 41
		Lackiert		-		-	
<b>01SUS07F</b>	150	Aluminium					1 0,36 46
		Lackiert					
<b>01SUS06F</b>	177	Aluminium					1 0,42 52
		Lackiert					
<b>01SUS64F</b>	200	Aluminium					1 0,46 57
		Lackiert					
<b>01SUS35F</b>	220 (!)	Aluminium					1 0,5 62
		Lackiert					
<b>01SUS68F</b>	240 (!)	Aluminium		-		-	1 0,55 66
		Lackiert		-		-	
<b>01SUS70F</b>	260 (!)	Aluminium		-		-	1 0,59 71
		Lackiert		-		-	
<b>01SUS72F</b>	280 (!)	Aluminium		-		-	1 0,63 79
		Lackiert		-		-	
<b>01SUS74F</b>	300 (!)	Aluminium		-		-	1 0,67 85
		Lackiert		-		-	

### Optionen

Art.-Nr.	Beschreibung	kolli m³ Kg
<b>02GTA02</b>	Zuschnitt der Beine nach Maß	- - -
<b>02FOR01</b>	Seitlicher oder mittlerer Kabeldurchlass	- - -
<b>02RET02</b>	Kabelnetz, Kunststoffmaterial	1 0,07 1
<b>02VER01</b>	Kabelschlange, mattes Methacrylat	1 0,007 1,5
<b>02CPU02</b>	CPU-Träger, mattes Methacrylat	1 0,14 5,5



# SUSHI ALUcompact® / PURE-WHITE / FENIX-NTM®

## Erweiterbar - Tiefe 100 cm

### Ausführung der Beine:

Eloxiertes Aluminium  
 Weiß lackiertes Aluminium (farbähnlich wie RAL 9016)  
 "Alucompact® Sandgrau" lackiertes Aluminium (farbähnlich wie RAL 9002)  
 "Alucompact® Anthrazitgrau" lackiertes Aluminium (farbähnlich wie RAL 7015)  
 Schwarz lackiertes Aluminium (farbähnlich wie RAL 9004)  
 Olivgrün lackiertes Aluminium (farbähnlich wie "Polyurethan Olivgrün P008")

### Ausführung der Platte/Verlängerungen:

Laminat Alucompact® (Weiß, Sandgrau, Anthrazitgrau, Schwarz)  
 ---  
 Laminat Pure-white Weiß  
 ---  
 Fenix-NTM® mit schwarzer Kante (Weiß Kos 0032, Grau London 0718, Grau Bromo 0724, Schwarz Ingo 0720)  
 ---  
 Fenix-NTM® mit farbiger Kante (Weiß Kos 0032, Grau London 0718)

### Anmerkung:

Bei den Tischen, deren Artikelnummern mit Sternchen (\*) markiert sind, ist das Hinzufügen einer dritten Verlängerung möglich, wodurch der Tisch noch größer wird.

Jene Tische, die im ausgezogenen Zustand eine Länge von 250 cm überschreiten, weisen eine leichte Biegung der Platte auf, die jedoch innerhalb der festgelegten qualitativen Standards liegt.

Für verstärkte Verpackungen siehe Innenseite des Umschlags.

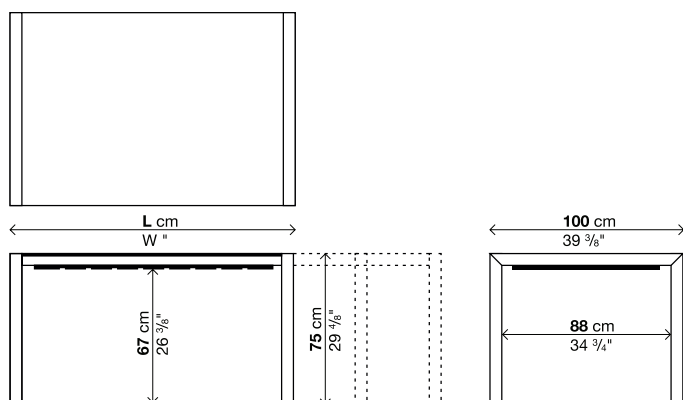
Art.-Nr.	Länge	Beine	Platte				kolli	m³	Kg
			Alucompact®	Fenix-NTM® mit schwarzer Kante	Pure-white	Fenix-NTM® mit farbiger Kante			
01SUS04	100-170	Aluminium		-		-	3	0,33	55
		Lackiert		-		-			
01SUS02*	177-224-271	Aluminium					3	0,52	85
		Lackiert							
01SUS36*	200-247-294	Aluminium					3	0,57	92
		Lackiert							
01SUS05*	220-267-314	Aluminium					3	0,62	98
		Lackiert							

### (\* 3. zusätzliche Verlängerung

Art.-Nr.	Länge	Platte				kolli	m³	Kg
		Alucompact®	Fenix-NTM® mit schwarzer Kante	Pure-white	Fenix-NTM® mit farbiger Kante			
50SUS6A	33 cm					1	0,03	6

### Optionen

Art.-Nr.	Beschreibung	kolli	m³	Kg
02GTA02	Zuschnitt der Beine nach Maß	-	-	-



# SUSHI ALUcompact® / PURE-WHITE / FENIX-NTM®

## Fixmaße - Tiefe 100 cm

### Ausführung der Beine:

Eloxiertes Aluminium  
 Weiß lackiertes Aluminium (farbähnlich wie RAL 9016)  
 "Alucompact® Sandgrau" lackiertes Aluminium (farbähnlich wie RAL 9002)  
 "Alucompact® Anthrazitgrau" lackiertes Aluminium (farbähnlich wie RAL 7015)  
 Schwarz lackiertes Aluminium (farbähnlich wie RAL 9004)  
 Olivgrün lackiertes Aluminium (farbähnlich wie "Polyurethan Olivgrün P008")

### Ausführung der Platte:

Laminat Alucompact® (Weiß, Sandgrau, Anthrazitgrau, Schwarz)  
 Laminat Pure-white Weiß

---  
 Fenix-NTM® mit schwarzer Kante (Weiß Kos 0032, Grau London 0718, Grau Bromo 0724, Schwarz Ingo 0720)  
 Fenix-NTM® mit farbiger Kante (Weiß Kos 0032, Grau London 0718)

### Anmerkung:

Achtung: Die mit (!) gekennzeichneten Maße oder Ausführungen haben eine längere Produktionszeit: zirka 6 Wochen ab Auftragsdatum.

Jene Tische, die im ausgezogenen Zustand eine Länge von 250 cm überschreiten, weisen eine leichte Biegung der Platte auf, die jedoch innerhalb der festgelegten qualitativen Standards liegt.

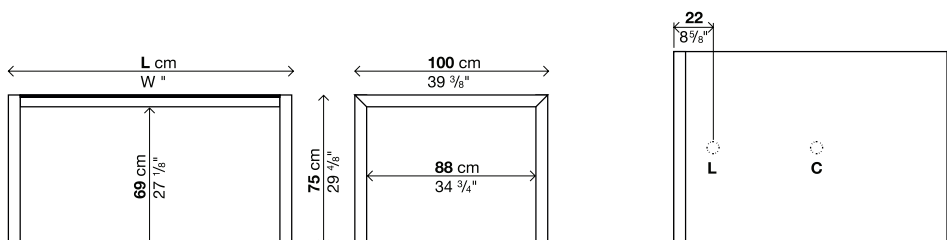
I tavoli lunghezza 280 e 300 cm presentano una tra la sottopiano di supporto centrale, pertanto eventuali fori passacavi non potranno essere posizionati centrati nella profondità ma lievemente spostati.

Für verstärkte Verpackungen siehe Innenseite des Umschlags.

Art.-Nr.	Länge	Beine	Platte				kolli	m³	Kg
			Alucompact®	Fenix-NTM® mit schwarzer Kante	Pure-white	Fenix-NTM® mit farbiger Kante			
<b>01SUS04F</b>	100	Aluminium		-		-	1	0,32	40
		Lackiert		-		-			
<b>01SUS78F</b>	150	Aluminium		-		-	1	0,39	50
		Lackiert		-		-			
<b>01SUS02F</b>	177	Aluminium					1	0,45	56
		Lackiert							
<b>01SUS08F</b>	200	Aluminium					1	0,5	62
		Lackiert							
<b>01SUS05F</b>	220	Aluminium					1	0,55	67
		Lackiert							
<b>01SUS09F</b>	240 (!)	Aluminium		-		-	1	0,6	72
		Lackiert		-		-			
<b>01SUS80F</b>	260 (!)	Aluminium		-		-	1	0,65	77
		Lackiert		-		-			
<b>01SUS82F</b>	280 (!)	Aluminium		-		-	1	0,69	85
		Lackiert		-		-			
<b>01SUS36F</b>	300 (!)	Aluminium		-		-	1	0,74	90
		Lackiert		-		-			

### Optionen

Art.-Nr.	Beschreibung	kolli	m³	Kg
<b>02GTA02</b>	Zuschnitt der Beine nach Maß	-	-	-
<b>02FOR01</b>	Seitlicher oder mittlerer Kabeldurchlass	-	-	-
<b>02RET03</b>	Kabelnetz, Kunststoffmaterial	1	0,07	1
<b>02VER01</b>	Kabelschlange, mattes Methacrylat	1	0,007	1,5
<b>02CPU03</b>	CPU-Träger, mattes Methacrylat	1	0,14	5,5



# SUSHI ALUCOMPACT® / PURE-WHITE

## Fixmaße - Tiefe 124 cm

### Ausführung der Beine:

Eloxiertes Aluminium  
 Weiß lackiertes Aluminium (farbähnlich wie RAL 9016)  
 "Alucompact® Sandgrau" lackiertes Aluminium (farbähnlich wie RAL 9002)  
 "Alucompact® Anthrazitgrau" lackiertes Aluminium (farbähnlich wie RAL 7015)  
 Schwarz lackiertes Aluminium (farbähnlich wie RAL 9004)  
 Olivgrün lackiertes Aluminium (farbähnlich wie "Polyurethan Olivgrün P008")

### Ausführung der Platte:

Laminat Alucompact® (Weiß, Sandgrau, Anthrazitgrau, Schwarz)

---

Laminat Pure-white Weiß

### Anmerkung:

Achtung: Die mit (!) gekennzeichneten Maße oder Ausführungen haben eine längere Produktionszeit: zirka 6 Wochen ab Auftragsdatum.

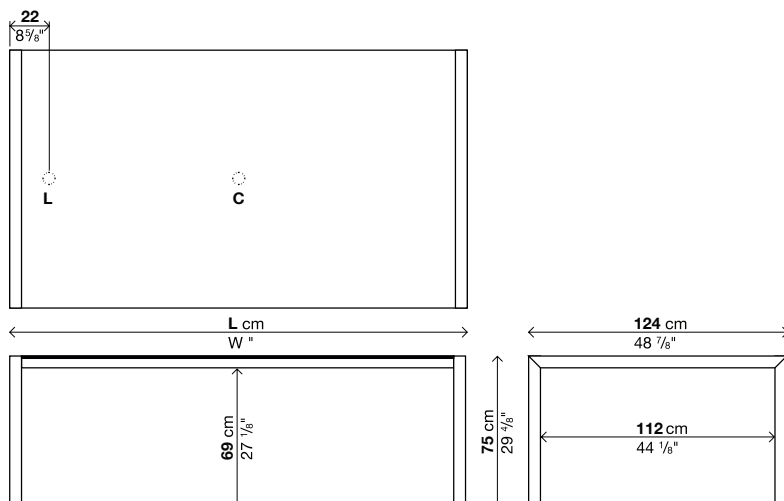
Jene Tische, die im ausgezogenen Zustand eine Länge von 250 cm überschreiten, weisen eine leichte Biegung der Platte auf, die jedoch innerhalb der festgelegten qualitativen Standards liegt.

Für verstärkte Verpackungen siehe Innenseite des Umschlags.

Art.-Nr.	Länge	Beine	Platte		kolli	m³	Kg
			Alucompact®	Pure-white			
<b>01SUS88F</b>	220 (!)	Aluminium			1	0,66	86
		Lackiert					
<b>01SUS90F</b>	240 (!)	Aluminium			1	0,72	92
		Lackiert					
<b>01SUS92F</b>	288 (!)	Aluminium			1	0,85	108
		Lackiert					

### Optionen

Art.-Nr.	Beschreibung	kolli	m³	Kg
<b>02GTA02</b>	Zuschnitt der Beine nach Maß	-	-	-
<b>02FOR01</b>	Seitlicher oder mittlerer Kabeldurchlass	-	-	-
<b>02RET04</b>	Kabelnetz, Kunststoffmaterial	1	0,07	1
<b>02VER01</b>	Kabelschlange, mattes Methacrylat	1	0,007	1,5
<b>02CPU04</b>	CPU-Träger, mattes Methacrylat	1	0,14	5,5



# SUSHI DEKTON® BY COSENTINO

## Erweiterbar - Tiefe 90 cm

### Ausführung der Beine:

Eloxiertes Aluminium  
 Weiß lackiertes Aluminium (farbähnlich wie RAL 9016)  
 "Grau Ventus" lackiertes Aluminium  
 Olivgrün lackiertes Aluminium (farbähnlich wie "Polyurethan Olivgrün PO08")

### Ausführung der Platte:

DEKTON® weiß Zenith  
 DEKTON® Grau Ventus  
 DEKTON® Aura (digitaler Marmor)

### Ausführung der Verlängerungen:

Weiß lackiertes Aluminium (farbähnlich wie RAL 9016)  
 "Grau Ventus" lackiertes Aluminium

### Anmerkung:

Achtung: Die auf der Oberfläche der Platten aus DEKTON® Aura (digitaler Marmor) nachgebildeten Aderungen werden auf zufällige Art und Weise angebracht, eine Besonderheit, die jede Platte einzigartig und unwiederholbar macht. Dieses Merkmal führt zu eventuellen Unterschieden bei den Mustern, kann jedoch nicht als Imperfektion oder Anomalie beanstandet werden. Aufgrund der gewollten Zufälligkeit ist auch auf Anfrage keine Erzeugung einer mehr oder weniger gleichmäßigen Aderung möglich.

Achtung: Die mit (!) gekennzeichneten Maße oder Ausführungen haben eine längere Produktionszeit: zirka 6 Wochen ab Auftragsdatum.

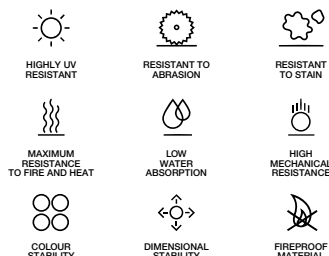
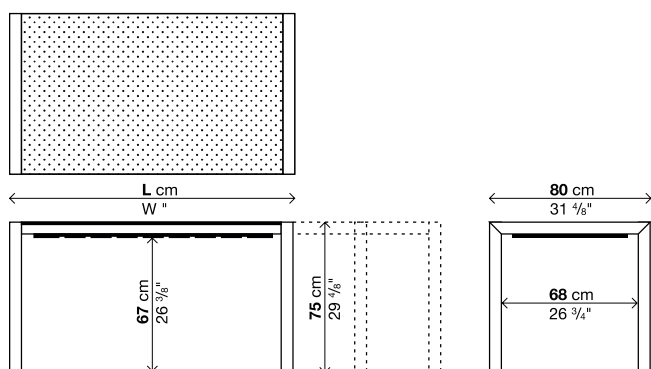
Jene Tische, die im ausgezogenen Zustand eine Länge von 250 cm überschreiten, weisen eine leichte Biegung der Platte auf, die jedoch innerhalb der festgelegten qualitativen Standards liegt.

Für verstärkte Verpackungen siehe Innenseite des Umschlags.

Art.-Nr.	Länge	Beine	Platte		kolli	m²	Kg
			DEKTON®				
01SUS07	150-187-224 (!)	Aluminium			3	0,41	89
		Lackiert					
01SUS06	177-214-251 (!)	Aluminium			3	0,5	102
		Lackiert					
01SUS09	200-237-274 (!)	Aluminium			3	0,51	105
		Lackiert					

### Optionen

Art.-Nr.	Beschreibung	kolli	m²	Kg
02GTA02	Zuschnitt der Beine nach Maß	-	-	-



# SUSHI DEKTON® BY COSENTINO

## Fixmaße - Tiefe 90 cm

### Ausführung der Beine:

Eloxiertes Aluminium  
 Weiß lackiertes Aluminium (farbähnlich wie RAL 9016)  
 "Grau Ventus" lackiertes Aluminium  
 Olivgrün lackiertes Aluminium (farbähnlich wie "Polyurethan Olivgrün PO08")

### Ausführung der Platte:

DEKTON® weiß Zenith  
 DEKTON® Grau Ventus  
 DEKTON® Aura (digitaler Marmor)

### Anmerkung:

Achtung: Die auf der Oberfläche der Platten aus DEKTON® Aura (digitaler Marmor) nachgebildeten Aderungen werden auf zufällige Art und Weise angebracht, eine Besonderheit, die jede Platte einzigartig und unwiederholbar macht. Dieses Merkmal führt zu eventuellen Unterschieden bei den Mustern, kann jedoch nicht als Imperfektion oder Anomalie beanstandet werden. Aufgrund der gewollten Zufälligkeit ist auch auf Anfrage keine Erzeugung einer mehr oder weniger gleichmäßigen Aderung möglich.

Achtung: Die mit (!) gekennzeichneten Maße oder Ausführungen haben eine längere Produktionszeit: zirka 6 Wochen ab Auftragsdatum.

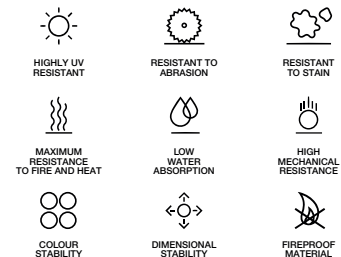
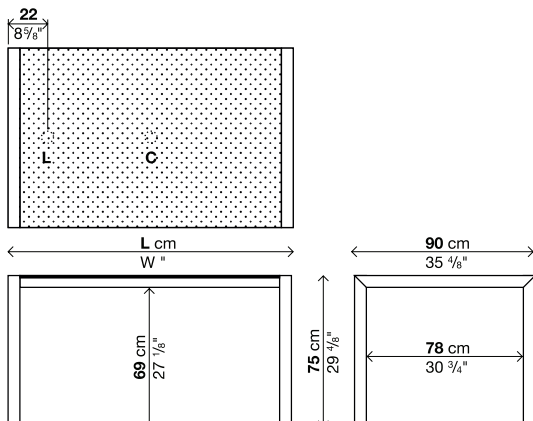
Jene Tische, die im ausgezogenen Zustand eine Länge von 250 cm überschreiten, weisen eine leichte Biegung der Platte auf, die jedoch innerhalb der festgelegten qualitativen Standards liegt.

Für verstärkte Verpackungen siehe Innenseite des Umschlags.

Art.-Nr.	Länge	Beine	Platte		kolli	m <sup>2</sup>	Kg
				DEKTON®			
01SUS07F	150 (!)	Aluminium			1	0,36	60
		Lackiert					
01SUS06F	177 (!)	Aluminium			1	0,42	69
		Lackiert					
01SUS64F	200 (!)	Aluminium			1	0,46	76
		Lackiert					

### Optionen

Art.-Nr.	Beschreibung	kolli	m <sup>2</sup>	Kg
02GTA02	Zuschnitt der Beine nach Maß	-	-	-
02RET02	Kabelnetz, Kunststoffmaterial	1	0,07	1
02VER01	Kabelschlange, mattes Methacrylat	1	0,007	1,5
02CPU02	CPU-Träger, mattes Methacrylat	1	0,14	5,5





# SUSHI DEKTON® BY COSENTINO

## Erweiterbar - Tiefe 100 cm

### Ausführung der Beine:

Eloxiertes Aluminium  
 Weiß lackiertes Aluminium (farbähnlich wie RAL 9016)  
 "Grau Ventus" lackiertes Aluminium  
 Olivgrün lackiertes Aluminium (farbähnlich wie "Polyurethan Olivgrün PO08")

### Ausführung der Platte:

DEKTON® weiß Zenith  
 DEKTON® Grau Ventus  
 DEKTON® Aura (digitaler Marmor)

### Ausführung der Verlängerungen:

Weiß lackiertes Aluminium (farbähnlich wie RAL 9016)  
 "Grau Ventus" lackiertes Aluminium

### Anmerkung:

Achtung: Die auf der Oberfläche der Platten aus DEKTON® Aura (digitaler Marmor) nachgebildeten Aderungen werden auf zufällige Art und Weise angebracht, eine Besonderheit, die jede Platte einzigartig und unwiederholbar macht. Dieses Merkmal führt zu eventuellen Unterschieden bei den Mustern, kann jedoch nicht als Imperfektion oder Anomalie beanstandet werden. Aufgrund der gewollten Zufälligkeit ist auch auf Anfrage keine Erzeugung einer mehr oder weniger gleichmäßigen Aderung möglich.

Achtung: Die mit (!) gekennzeichneten Maße oder Ausführungen haben eine längere Produktionszeit: zirka 6 Wochen ab Auftragsdatum.

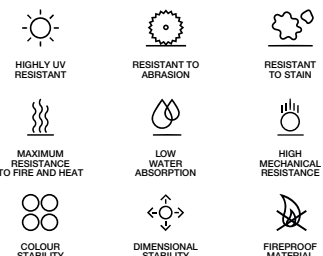
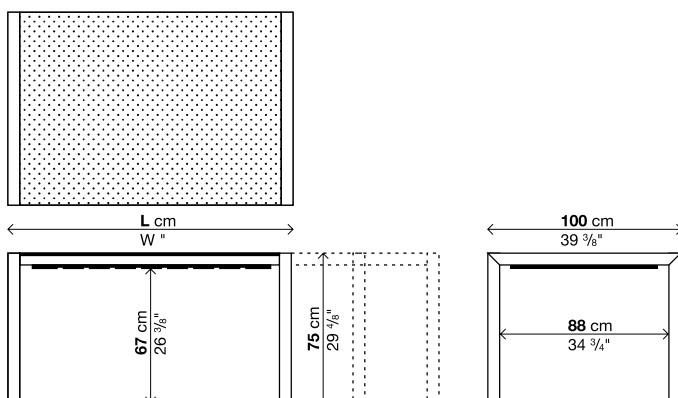
Jene Tische, die im ausgezogenen Zustand eine Länge von 250 cm überschreiten, weisen eine leichte Biegung der Platte auf, die jedoch innerhalb der festgelegten qualitativen Standards liegt.

Für verstärkte Verpackungen siehe Innenseite des Umschlags.

Art.-Nr.	Länge	Beine	Platte		kolli	m <sup>2</sup>	Kg
			DEKTON®				
01SUS02	177-214-251 (!)	Aluminium			3	0,52	108
		Lackiert					
01SUS36	200-237-274 (!)	Aluminium			3	0,57	118
		Lackiert					

### Optionen

Art.-Nr.	Beschreibung	kolli	m <sup>3</sup>	Kg
02GTA02	Zuschnitt der Beine nach Maß	-	-	-



# SUSHI DEKTON® BY COSENTINO

## Fixmaße - Tiefe 100 cm

### Ausführung der Beine:

Eloxiertes Aluminium  
 Weiß lackiertes Aluminium (farbähnlich wie RAL 9016)  
 "Grau Ventus" lackiertes Aluminium  
 Olivgrün lackiertes Aluminium (farbähnlich wie "Polyurethan Olivgrün PO08")

### Ausführung der Platte:

DEKTON® weiß Zenith  
 DEKTON® Grau Ventus  
 DEKTON® Aura (digitaler Marmor)

### Anmerkung:

Achtung: Die auf der Oberfläche der Platten aus DEKTON® Aura (digitaler Marmor) nachgebildeten Aderungen werden auf zufällige Art und Weise angebracht, eine Besonderheit, die jede Platte einzigartig und unwiederholbar macht. Dieses Merkmal führt zu eventuellen Unterschieden bei den Mustern, kann jedoch nicht als Imperfektion oder Anomalie beanstandet werden. Aufgrund der gewollten Zufälligkeit ist auch auf Anfrage keine Erzeugung einer mehr oder weniger gleichmäßigen Aderung möglich.

Achtung: Die mit (!) gekennzeichneten Maße oder Ausführungen haben eine längere Produktionszeit: zirka 6 Wochen ab Auftragsdatum.

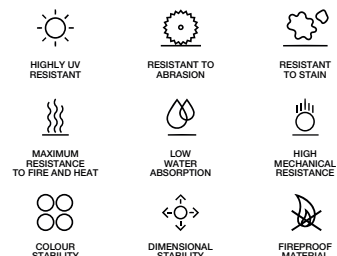
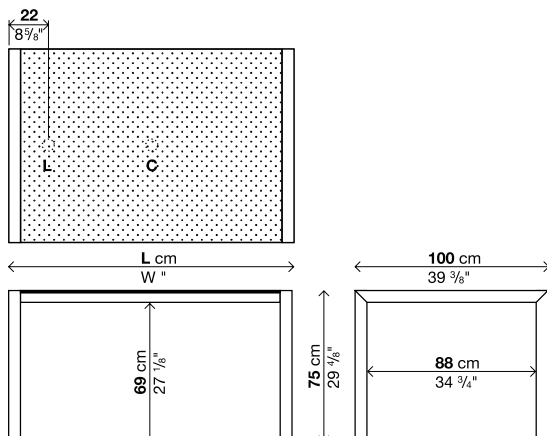
Jene Tische, die im ausgezogenen Zustand eine Länge von 250 cm überschreiten, weisen eine leichte Biegung der Platte auf, die jedoch innerhalb der festgelegten qualitativen Standards liegt.

Für verstärkte Verpackungen siehe Innenseite des Umschlags.

Art.-Nr.	Länge	Beine	Platte		kolli	m³	Kg
				DEKTON®			
01SUS02F	177	Aluminium			1	0,45	74
		Lackiert					
01SUS08F	200	Aluminium			1	0,5	83
		Lackiert					
01SUS09F	240	Aluminium			1	0,6	97
		Lackiert					
01SUS82F	280	Aluminium			1	0,69	115
		Lackiert					

### Optionen

Art.-Nr.	Beschreibung	kolli	m³	Kg
02GTA02	Zuschnitt der Beine nach Maß	-	-	-
02RET03	Kabelnetz, Kunststoffmaterial	1	0,07	1
02VER01	Kabelschlange, mattes Methacrylat	1	0,007	1,5
02CPU03	CPU-Träger, mattes Methacrylat	1	0,14	5,5



# SUSHI HOLZ

## Erweiterbar - Tiefe 90 cm

### Ausführung der Beine:

Eloxiertes Aluminium  
 Weiß lackiertes Aluminium (farbähnlich wie RAL 9016)  
 "Alucompact® Sandgrau" lackiertes Aluminium (farbähnlich wie RAL 9002)  
 "Alucompact® Anthrazitgrau" lackiertes Aluminium (farbähnlich wie RAL 7015)  
 Lackiertes Aluminium "Fenix-NTM® Grau London" (farbähnlich wie RAL Design0805005)  
 Schwarz lackiertes Aluminium (farbähnlich wie RAL 9004)  
 Olivgrün lackiertes Aluminium (farbähnlich wie "Polyurethan Olivgrün P008")

### Ausführung der Platte/Verlängerungen:

Holz, Effekt europäische Eiche  
 Holz, Effekt Nussbaum  
 Holz, Effekt Eiche Farbe Schwarz

### Anmerkung:

Achtung: Die mit (!) gekennzeichneten Maße oder Ausführungen haben eine längere Produktionszeit: zirka 6 Wochen ab Auftragsdatum.

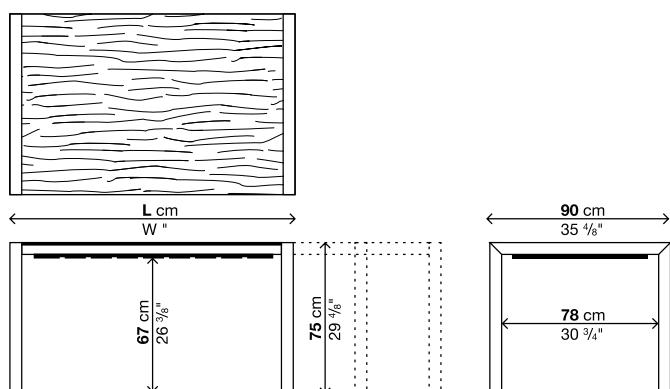
Jene Tische, die im ausgezogenen Zustand eine Länge von 250 cm überschreiten, weisen eine leichte Biegung der Platte auf, die jedoch innerhalb der festgelegten qualitativen Standards liegt.

Für verstärkte Verpackungen siehe Innenseite des Umschlags.

Art.-Nr.	Länge	Beine	Platte		
				kolli m³ Kg	
			Holz		
01SUS06	177-212-247-282 mit drei Verlängerungen	Aluminium	4	0,5	81
		Lackiert			
01SUS09	200-235-270-305 mit drei Verlängerungen	Aluminium	4	0,53	88,5
		Lackiert			
01SUS35	220-264-308 (!) mit zwei Verlängerungen	Aluminium	3	0,55	88
		Lackiert			

### Optionen

Art.-Nr.	Beschreibung	kolli m³ Kg
02GTA02	Zuschnitt der Beine nach Maß	- - -



# SUSHI HOLZ

## Fixmaße - Tiefe 90 cm

### Ausführung der Beine:

Eloxiertes Aluminium

Weiß lackiertes Aluminium (farbähnlich wie RAL 9016)

"Alucompact® Sandgrau" lackiertes Aluminium (farbähnlich wie RAL 9002)

"Alucompact® Anthrazitgrau" lackiertes Aluminium (farbähnlich wie RAL 7015)

Lackiertes Aluminium "Fenix-NTM® Grau London" (farbähnlich wie RAL Design0805005)

Schwarz lackiertes Aluminium (farbähnlich wie RAL 9004)

Olivgrün lackiertes Aluminium (farbähnlich wie "Polyurethan Olivgrün P008")

### Ausführung der Platte:

Holz, Effekt europäische Eiche

Holz, Effekt Nussbaum

Holz, Effekt Eiche Farbe Schwarz

### Anmerkung:

Achtung: Die mit (!) gekennzeichneten Maße oder Ausführungen haben eine längere Produktionszeit: zirka 6 Wochen ab Auftragsdatum.

Jene Tische, die im ausgezogenen Zustand eine Länge von 250 cm überschreiten, weisen eine leichte Biegung der Platte auf, die jedoch innerhalb der festgelegten qualitativen Standards liegt.

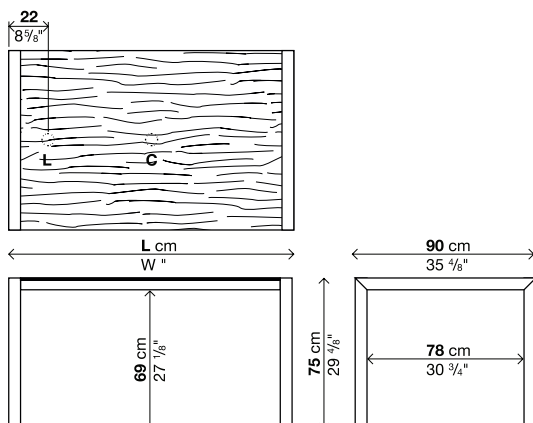
Die Tische mit Länge 269 und 289 cm besitzen unter der Platte eine zentrale Längsstrebe, eventuelle Kabeldurchlässe können daher nicht in der Mitte, sondern nur leicht versetzt angebracht werden.

Für verstärkte Verpackungen siehe Innenseite des Umschlags.

Art.-Nr.	Länge	Beine	Platte	kolli	m <sup>2</sup>	Kg
			Holz			
01SUS64F	200	Aluminium		1	0,46	57
		Lackiert				
01SUS35F	220 (!)	Aluminium		1	0,5	62
		Lackiert				
01SUS68F	240 (!)	Aluminium		1	0,55	66
		Lackiert				
01SUS70F	260 (!)	Aluminium		1	0,59	71
		Lackiert				
01SUS72F	280 (!)	Aluminium		1	0,63	79
		Lackiert				
01SUS74F	300 (!)	Aluminium		1	0,67	85
		Lackiert				

### Optionen

Art.-Nr.	Beschreibung	kolli	m <sup>2</sup>	Kg
02GTA02	Zuschnitt der Beine nach Maß	-	-	-
02FOR01	Seitlicher oder mittlerer Kabeldurchlass	-	-	-
02RET02	Kabelnetz, Kunststoffmaterial	1	0,07	1
02VER01	Kabelschlange, mattes Methacrylat	1	0,007	1,5
02CPU02	CPU-Träger, mattes Methacrylat	1	0,14	5,5



# SUSHI HOLZ

## Erweiterbar - Tiefe 100 cm

### Ausführung der Beine:

Eloxiertes Aluminium  
 Weiß lackiertes Aluminium (farbähnlich wie RAL 9016)  
 "Alucompact® Sandgrau" lackiertes Aluminium (farbähnlich wie RAL 9002)  
 "Alucompact® Anthrazitgrau" lackiertes Aluminium (farbähnlich wie RAL 7015)  
 Lackiertes Aluminium "Fenix-NTM® Grau London" (farbähnlich wie RAL Design0805005)  
 Schwarz lackiertes Aluminium (farbähnlich wie RAL 9004)  
 Olivgrün lackiertes Aluminium (farbähnlich wie "Polyurethan Olivgrün P008")

### Anmerkung:

Jene Tische, die im ausgezogenen Zustand eine Länge von 250 cm überschreiten, weisen eine leichte Biegung der Platte auf, die jedoch innerhalb der festgelegten qualitativen Standards liegt.

Für verstärkte Verpackungen siehe Innenseite des Umschlags.

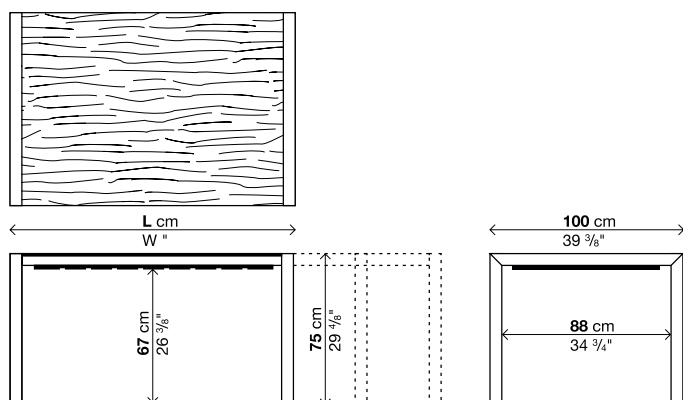
### Ausführung der Platte/Verlängerungen:

Holz, Effekt europäische Eiche  
 Holz, Effekt Nussbaum  
 Holz, Effekt Eiche Farbe Schwarz

Art.-Nr.	Länge	Beine	Platte	kolli	m³	Kg
			Holz			
01SUS02	177-212-247-282 mit drei Verlängerungen	Aluminium Lackiert		4	0,53	91
01SUS36	200-235-270-305 mit drei Verlängerungen	Aluminium Lackiert		4	0,58	98
01SUS05	220-264-308 mit zwei Verlängerungen	Aluminium Lackiert		3	0,62	98

### Optionen

Art.-Nr.	Beschreibung	kolli	m³	Kg
02GTA02	Zuschnitt der Beine nach Maß	-	-	-



# SUSHI HOLZ

## Fixmaße - Tiefe 100 cm

### Ausführung der Beine:

Eloxiertes Aluminium

Weiß lackiertes Aluminium (farbähnlich wie RAL 9016)

"Alucompact® Sandgrau" lackiertes Aluminium (farbähnlich wie RAL 9002)

"Alucompact® Anthrazitgrau" lackiertes Aluminium (farbähnlich wie RAL 7015)

Lackiertes Aluminium "Fenix-NTM® Grau London" (farbähnlich wie RAL Design0805005)

Schwarz lackiertes Aluminium (farbähnlich wie RAL 9004)

Olivgrün lackiertes Aluminium (farbähnlich wie "Polyurethan Olivgrün P008")

### Ausführung der Platte:

Holz, Effekt europäische Eiche

Holz, Effekt Nussbaum

Holz, Effekt Eiche Farbe Schwarz

### Anmerkung:

Achtung: Die mit (!) gekennzeichneten Maße oder Ausführungen haben eine längere Produktionszeit: zirka 6 Wochen ab Auftragsdatum.

Jene Tische, die im ausgezogenen Zustand eine Länge von 250 cm überschreiten, weisen eine leichte Biegung der Platte auf, die jedoch innerhalb der festgelegten qualitativen Standards liegt.

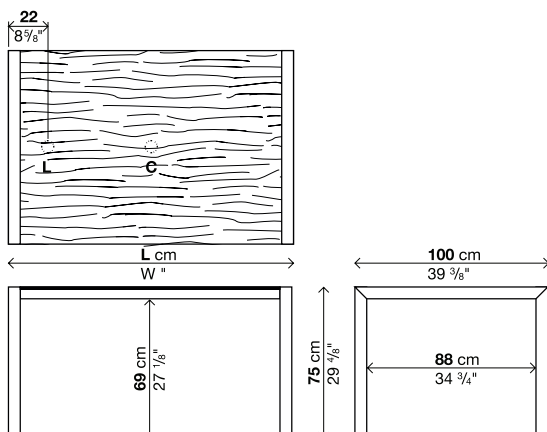
Die Tische mit Länge 269 und 289 cm besitzen unter der Platte eine zentrale Längsstrebe, eventuelle Kabeldurchlässe können daher nicht in der Mitte, sondern nur leicht versetzt angebracht werden.

Für verstärkte Verpackungen siehe Innenseite des Umschlags.

Art.-Nr.	Länge	Beine	Platte		kolli	m <sup>2</sup>	Kg
				Holz			
<b>01SUS08F</b>	200	Aluminium Lackiert			1	0,5	62
<b>01SUS05F</b>	220	Aluminium Lackiert			1	0,55	67
<b>01SUS09F</b>	240 (!)	Aluminium Lackiert			1	0,6	72
<b>01SUS80F</b>	260 (!)	Aluminium Lackiert			1	0,65	77
<b>01SUS82F</b>	280 (!)	Aluminium Lackiert			1	0,69	85
<b>01SUS36F</b>	300 (!)	Aluminium Lackiert			1	0,74	90

### Optionen

Art.-Nr.	Beschreibung	kolli	m <sup>2</sup>	Kg
<b>02GTA02</b>	Zuschnitt der Beine nach Maß	-	-	-
<b>02FOR01</b>	Seitlicher oder mittlerer Kabeldurchlass	-	-	-
<b>02RET02</b>	Kabelnetz, Kunststoffmaterial	1	0,07	1
<b>02VER01</b>	Kabelschlange, mattes Methacrylat	1	0,007	1,5
<b>02CPU03</b>	CPU-Träger, mattes Methacrylat	1	0,14	5,5



# SUSHI GLAS

## Erweiterbar - Tiefe 80 cm

### Ausführung der Beine:

Eloxiertes Aluminium

Weiß lackiertes Aluminium (farbähnlich wie RAL 9016)

Schwarz lackiertes Aluminium (farbähnlich wie RAL 9004)

### Ausführung der Platte:

Glas hochglanz in den Farben: Extraweiß, Anthrazit, Schwarz

Glas matt in den Farben: Extraweiß, Anthrazit, Schwarz, Titan

### Ausführung der Verlängerungen:

Laminat Alucompact® Weiß

Laminat Alucompact® Sandgrau

Laminat Alucompact® Anthrazitgrau

Laminat Alucompact® Schwarz

### Anmerkung:

Bei den Tischen, deren Artikelnummern mit Sternchen (\*) markiert sind, ist das Hinzufügen einer dritten Verlängerung möglich, wodurch der Tisch noch größer wird.

Achtung: Die mit (!) gekennzeichneten Maße oder Ausführungen haben eine längere Produktionszeit: zirka 6 Wochen ab Auftragsdatum.

Jene Tische, die im ausgezogenen Zustand eine Länge von 250 cm überschreiten, weisen eine leichte Biegung der Platte auf, die jedoch innerhalb der festgelegten qualitativen Standards liegt.

Für verstärkte Verpackungen siehe Innenseite des Umschlags.

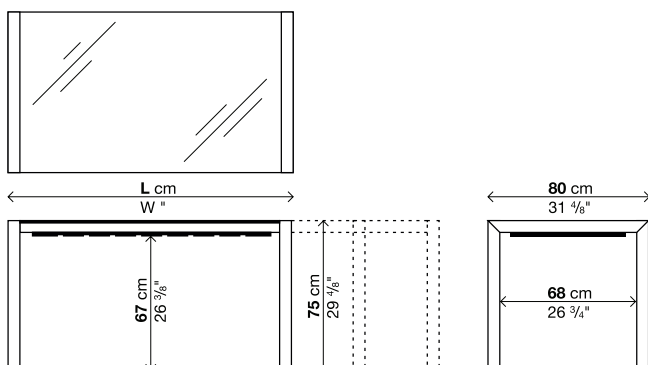
Art.-Nr.	Länge	Beine	Platte		kolli	m <sup>2</sup>	Kg
			Glas hochglanz	Glas matt			
<b>01SUS11</b>	125-165-205	Aluminium			3	0,32	64
		Lackiert					
<b>01SUS13*</b>	150-190-230	Aluminium			3	0,37	72
		Lackiert					
<b>01SUS16*</b>	177-217-257	Aluminium			3	0,42	79
		Lackiert					

### (\* ) 3. zusätzliche Verlängerung

Art.-Nr.	Länge	Platte	kolli	m <sup>2</sup>	Kg
		Alucompact®			
<b>50SUS5A</b>	33 cm		1	0,03	6

### Optionen

Art.-Nr.	Beschreibung	kolli	m <sup>2</sup>	Kg
<b>02GTA02</b>	Zuschnitt der Beine nach Maß	-	-	-



# SUSHI GLAS

## Fixmaße - Tiefe 80 cm

### Ausführung der Beine:

Eloxiertes Aluminium

Weiß lackiertes Aluminium (farbähnlich wie RAL 9016)

Schwarz lackiertes Aluminium (farbähnlich wie RAL 9004)

### Ausführung der Platte:

Glas hochglanz in den Farben: Extraweiß, Anthrazit, Schwarz

Glas matt in den Farben: Extraweiß, Anthrazit, Schwarz, Titan

### Anmerkung:

Achtung: Die mit (!) gekennzeichneten Maße oder Ausführungen haben eine längere Produktionszeit: zirka 6 Wochen ab Auftragsdatum.

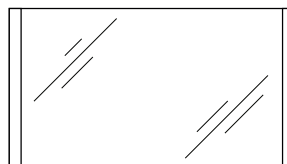
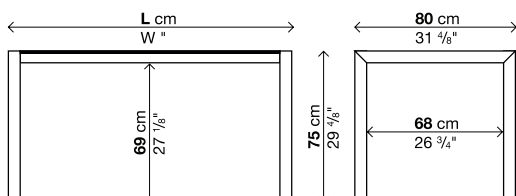
Jene Tische, die im ausgezogenen Zustand eine Länge von 250 cm überschreiten, weisen eine leichte Biegung der Platte auf, die jedoch innerhalb der festgelegten qualitativen Standards liegt.

Für verstärkte Verpackungen siehe Innenseite des Umschlags.

Art.-Nr.	Länge	Beine	Platte		kolli	m³	Kg
			Glas hochglanz	Glas matt			
01SUS31F	80	Aluminium			1	0,18	31
		Lackiert					
01SUS11F	125	Aluminium			1	0,27	44
		Lackiert					
01SUS13F	150	Aluminium			1	0,32	52
		Lackiert					
01SUS33F	177	Aluminium			1	0,37	58
		Lackiert					
01SUS37F	200	Aluminium			1	0,41	66
		Lackiert					
01SUS39F	220 (!)	Aluminium			1	0,45	72
		Lackiert					
01SUS45F	240 (!)	Aluminium			1	0,49	77
		Lackiert					
01SUS49F	260 (!)	Aluminium			1	0,53	83
		Lackiert					
01SUS53F	280 (!)	Aluminium			1	0,57	88
		Lackiert					
01SUS56F	300 (!)	Aluminium			1	0,61	94
		Lackiert					

### Optionen

Art.-Nr.	Beschreibung	kolli	m³	Kg
02GTA02	Zuschnitt der Beine nach Maß	-	-	-
02RET01	Kabelnetz, Kunststoffmaterial	1	0,07	1
02VER01	Kabelschlange, mattes Methacrylat	1	0,007	1,5
02CPU01	CPU-Träger, mattes Methacrylat	1	0,14	5,5





# SUSHI GLAS

## Erweiterbar - Tiefe 90 cm

### Ausführung der Beine:

Eloxiertes Aluminium

Weiß lackiertes Aluminium (farbähnlich wie RAL 9016)

Schwarz lackiertes Aluminium (farbähnlich wie RAL 9004)

### Ausführung der Platte:

Glas hochglanz in den Farben: Extraweiß, Anthrazit, Schwarz

Glas matt in den Farben: Extraweiß, Anthrazit, Schwarz, Titan

### Ausführung der Verlängerungen:

Laminat Alucompact® Weiß

Laminat Alucompact® Sandgrau

Laminat Alucompact® Anthrazitgrau

Laminat Alucompact® Schwarz

### Anmerkung:

Bei den Tischen, deren Artikelnummern mit Sternchen (\*) markiert sind, ist das Hinzufügen einer dritten Verlängerung möglich, wodurch der Tisch noch größer wird.

Achtung: Die mit (!) gekennzeichneten Maße oder Ausführungen haben eine längere Produktionszeit: zirka 6 Wochen ab Auftragsdatum.

Jene Tische, die im ausgezogenen Zustand eine Länge von 250 cm überschreiten, weisen eine leichte Biegung der Platte auf, die jedoch innerhalb der festgelegten qualitativen Standards liegt.

Für verstärkte Verpackungen siehe Innenseite des Umschlags.

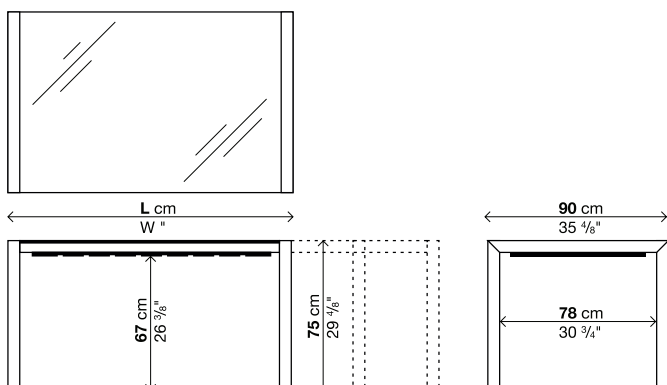
Art.-Nr.	Länge	Beine	Platte		kolli	m <sup>2</sup>	Kg
			Glas hochglanz	Glas matt			
01SUS17*	150-187-224	Aluminium			3	0,41	81
		Lackiert					
01SUS15	177-214-251-288 dritte Verlängerung standard	Aluminium			4	0,5	96
		Lackiert					
01SUS18*	200-237-274	Aluminium			3	0,51	98
		Lackiert					
01SUS52*	220-257-294	Aluminium			3	0,55	105
		Lackiert					

### (\* 3. zusätzliche Verlängerung

Art.-Nr.	Länge	Platte	kolli	m <sup>2</sup>	Kg
		Alucompact®			
50SUS2A	37,5 cm		1	0,03	6,5

### Optionen

Art.-Nr.	Beschreibung	kolli	m <sup>2</sup>	Kg
02GTA02	Zuschnitt der Beine nach Maß	-	-	-



# SUSHI GLAS

## Fixmaße - Tiefe 90 cm

### Ausführung der Beine:

Eloxiertes Aluminium

Weiß lackiertes Aluminium (farbähnlich wie RAL 9016)

Schwarz lackiertes Aluminium (farbähnlich wie RAL 9004)

### Ausführung der Platte:

Glas hochglanz in den Farben: Extraweiß, Anthrazit, Schwarz

Glas matt in den Farben: Extraweiß, Anthrazit, Schwarz, Titan

### Anmerkung:

Achtung: Die mit (!) gekennzeichneten Maße oder Ausführungen haben eine längere Produktionszeit: zirka 6 Wochen ab Auftragsdatum.

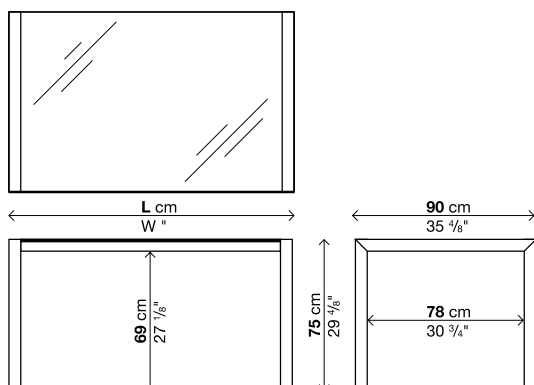
Jene Tische, die im ausgezogenen Zustand eine Länge von 250 cm überschreiten, weisen eine leichte Biegung der Platte auf, die jedoch innerhalb der festgelegten qualitativen Standards liegt.

Für verstärkte Verpackungen siehe Innenseite des Umschlags.

Art.-Nr.	Länge	Beine	Platte		kolli	m <sup>3</sup>	Kg
			Glas hochglanz	Glas matt			
01SUS58F	90	Aluminium			1	0,23	37
		Lackiert					
01SUS63F	125	Aluminium			1	0,3	51
		Lackiert					
01SUS17F	150	Aluminium			1	0,36	58
		Lackiert					
01SUS15F	177	Aluminium			1	0,42	67
		Lackiert					
01SUS67F	200	Aluminium			1	0,46	74
		Lackiert					
01SUS52F	220 (!)	Aluminium			1	0,5	80
		Lackiert					
01SUS69F	240 (!)	Aluminium			1	0,55	86
		Lackiert					
01SUS71F	260 (!)	Aluminium			1	0,59	92
		Lackiert					
01SUS73F	280 (!)	Aluminium			1	0,63	103
		Lackiert					
01SUS75F	300 (!)	Aluminium			1	0,67	109
		Lackiert					

### Optionen

Art.-Nr.	Beschreibung	kolli	m <sup>3</sup>	Kg
02GTA02	Zuschnitt der Beine nach Maß	-	-	-
02RET02	Kabelnetz, Kunststoffmaterial	1	0,07	1
02VER01	Kabelschlange, mattes Methacrylat	1	0,007	1,5
02CPU02	CPU-Träger, mattes Methacrylat	1	0,14	5,5



# SUSHI GLAS

## Erweiterbar - Tiefe 100 cm

### Ausführung der Beine:

Eloxiertes Aluminium

Weiß lackiertes Aluminium (farbähnlich wie RAL 9016)

Schwarz lackiertes Aluminium (farbähnlich wie RAL 9004)

### Ausführung der Platte:

Glas hochglanz in den Farben: Extraweiß, Anthrazit, Schwarz

Glas matt in den Farben: Extraweiß, Anthrazit, Schwarz, Titan

### Ausführung der Verlängerungen:

Laminat Alucompact® Weiß

Laminat Alucompact® Sandgrau

Laminat Alucompact® Anthrazitgrau

Laminat Alucompact® Schwarz

### Anmerkung:

Bei den Tischen, deren Artikelnummern mit Sternchen (\*) markiert sind, ist das Hinzufügen einer dritten Verlängerung möglich, wodurch der Tisch noch größer wird.

Achtung: Die mit (!) gekennzeichneten Maße oder Ausführungen haben eine längere Produktionszeit: zirka 6 Wochen ab Auftragsdatum.

Jene Tische, die im ausgezogenen Zustand eine Länge von 250 cm überschreiten, weisen eine leichte Biegung der Platte auf, die jedoch innerhalb der festgelegten qualitativen Standards liegt.

Für verstärkte Verpackungen siehe Innenseite des Umschlags.

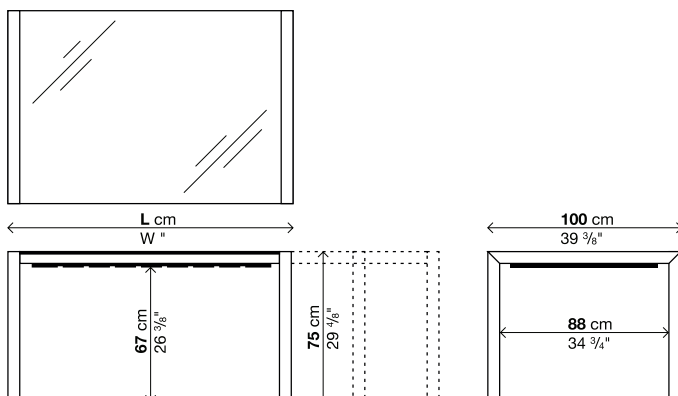
Art.-Nr.	Länge	Beine	Platte		kolli	m <sup>2</sup>	Kg
			Glas hochglanz	Glas matt			
01SUS14	100-170	Aluminium			3	0,33	63
		Lackiert					
01SUS12*	177-224-271	Aluminium			3	0,52	101
		Lackiert					
01SUS20*	200-247-294	Aluminium			3	0,57	108
		Lackiert					
01SUS19*	220-267-314	Aluminium			3	0,62	118
		Lackiert					

### (\* 3. zusätzliche Verlängerung

Art.-Nr.	Länge	Platte	kolli	m <sup>2</sup>	Kg
		Alucompact®			
50SUS6A	33 cm		1	0,03	6

### Optionen

Art.-Nr.	Beschreibung	kolli	m <sup>2</sup>	Kg
02GTA02	Zuschnitt der Beine nach Maß	-	-	-



# SUSHI GLAS

## Fixmaße - Tiefe 100 cm

### Ausführung der Beine:

Eloxiertes Aluminium

Weiß lackiertes Aluminium (farbähnlich wie RAL 9016)

Schwarz lackiertes Aluminium (farbähnlich wie RAL 9004)

### Ausführung der Platte:

Glas hochglanz in den Farben: Extraweiß, Anthrazit, Schwarz

Glas matt in den Farben: Extraweiß, Anthrazit, Schwarz, Titan

### Anmerkung:

Achtung: Die mit (!) gekennzeichneten Maße oder Ausführungen haben eine längere Produktionszeit: zirka 6 Wochen ab Auftragsdatum.

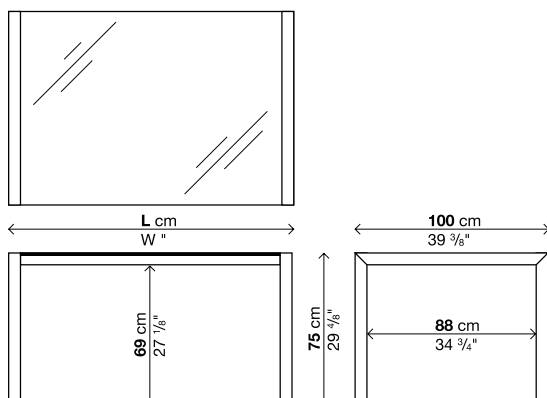
Jene Tische, die im ausgezogenen Zustand eine Länge von 250 cm überschreiten, weisen eine leichte Biegung der Platte auf, die jedoch innerhalb der festgelegten qualitativen Standards liegt.

Für verstärkte Verpackungen siehe Innenseite des Umschlags.

Art.-Nr.	Länge	Beine	Platte		kolli m³ Kg
			Glas hochglanz	Glas matt	
<b>01SUS14F</b>	100	Aluminium			1 0,27 45
		Lackiert			
<b>01SUS79F</b>	150	Aluminium			1 0,39 63
		Lackiert			
<b>01SUS12F</b>	177	Aluminium			1 0,45 72
		Lackiert			
<b>01SUS16F</b>	200	Aluminium			1 0,5 80
		Lackiert			
<b>01SUS19F</b>	220	Aluminium			1 0,55 87
		Lackiert			
<b>01SUS50F</b>	240 (!)	Aluminium			1 0,6 93
		Lackiert			
<b>01SUS81F</b>	260 (!)	Aluminium			1 0,65 100
		Lackiert			
<b>01SUS83F</b>	280 (!)	Aluminium			1 0,69 110
		Lackiert			
<b>01SUS54F</b>	300 (!)	Aluminium			1 0,74 118
		Lackiert			

### Optionen

Art.-Nr.	Beschreibung	kolli m³ Kg
<b>02GTA02</b>	Zuschnitt der Beine nach Maß	- - -
<b>02RET03</b>	Kabelnetz, Kunststoffmaterial	1 0,07 1
<b>02VER01</b>	Kabelschlange, mattes Methacrylat	1 0,007 1,5
<b>02CPU03</b>	CPU-Träger, mattes Methacrylat	1 0,14 5,5



# SUSHI GLAS

## Fixmaße - Tiefe 124 cm

### Ausführung der Beine:

Eloxiertes Aluminium

Weiß lackiertes Aluminium (farbähnlich wie RAL 9016)

Schwarz lackiertes Aluminium (farbähnlich wie RAL 9004)

### Ausführung der Platte:

Glas hochglanz in den Farben: Extraweiß, Anthrazit, Schwarz

Glas matt in den Farben: Extraweiß, Anthrazit, Schwarz, Titan

### Anmerkung:

Achtung: Die mit (!) gekennzeichneten Maße oder Ausführungen haben eine längere Produktionszeit: zirka 6 Wochen ab Auftragsdatum.

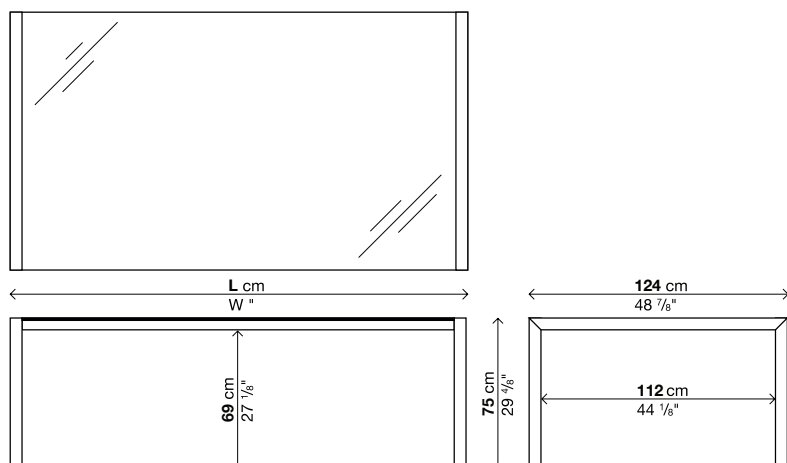
Jene Tische, die im ausgezogenen Zustand eine Länge von 250 cm überschreiten, weisen eine leichte Biegung der Platte auf, die jedoch innerhalb der festgelegten qualitativen Standards liegt.

Für verstärkte Verpackungen siehe Innenseite des Umschlags.

Art.-Nr.	Länge	Beine	Platte		koll. m <sup>3</sup> Kg
			Glas hochglanz	Glas matt	
01SUS89F	220 (!)	Aluminium			1 0,66 109
		Lackiert			
01SUS91F	240 (!)	Aluminium			1 0,72 118
		Lackiert			
01SUS93F	288 (!)	Aluminium			1 0,85 140
		Lackiert			

### Optionen

Art.-Nr.	Beschreibung	koll. m <sup>3</sup> Kg
02GTA02	Zuschnitt der Beine nach Maß	- - -
02RET04	Kabelnetz, Kunststoffmaterial	1 0,07 1
02VER01	Kabelschlange, mattes Methacrylat	1 0,007 1,5
02CPU04	CPU-Träger, mattes Methacrylat	1 0,14 5,5



# SUSHI GLAS

## Fixmaße - Tiefe 140 cm

### Ausführung der Beine:

Eloxiertes Aluminium

Weiß lackiertes Aluminium (farbähnlich wie RAL 9016)

Schwarz lackiertes Aluminium (farbähnlich wie RAL 9004)

### Ausführung der Platte:

Glas hochglanz in den Farben: Extraweiß, Anthrazit, Schwarz

Glas matt in den Farben: Extraweiß, Anthrazit, Schwarz, Titan

### Anmerkung:

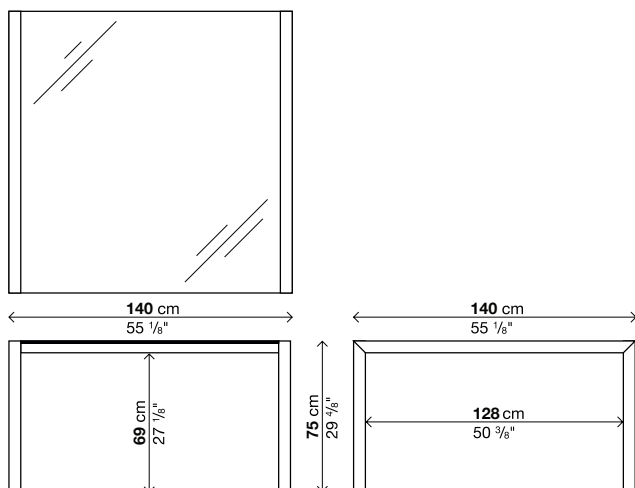
Achtung: Die mit (!) gekennzeichneten Maße oder Ausführungen haben eine längere Produktionszeit: zirka 6 Wochen ab Auftragsdatum.

Für verstärkte Verpackungen siehe Innenseite des Umschlags.

Art.-Nr.	Länge	Beine	Platte		koli	m <sup>3</sup>	Kg
			Glas hochglanz	Glas matt			
<b>01SUS18F</b>	140 (!)	Aluminium			1	0,52	73
		Lackiert					

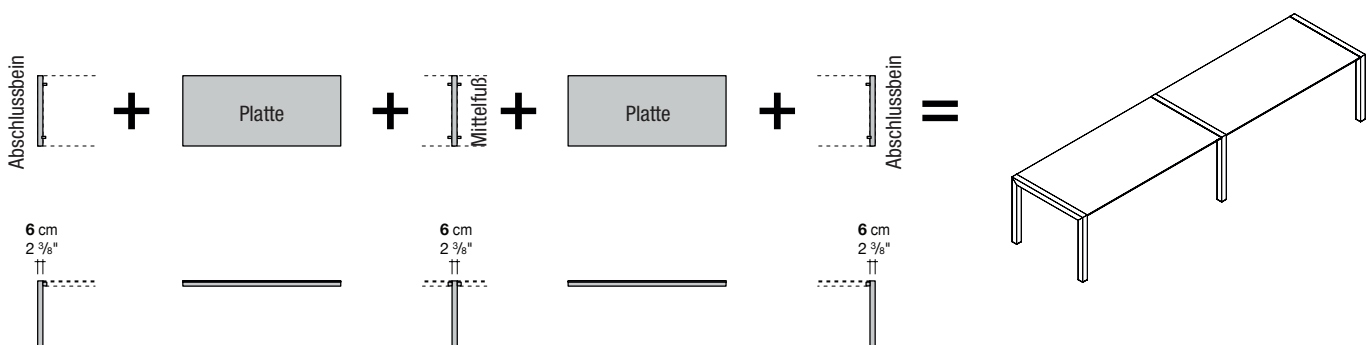
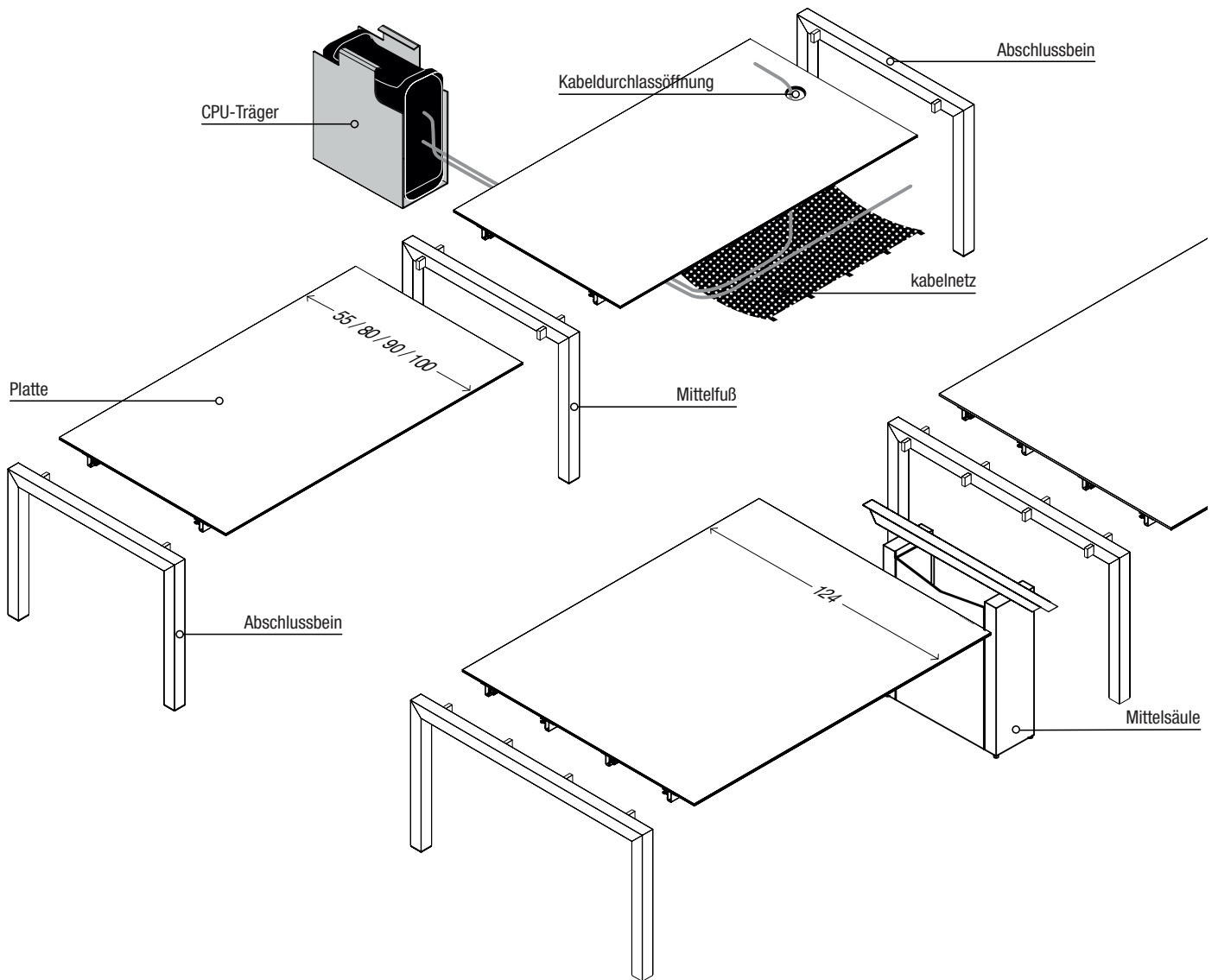
### Optionen

Art.-Nr.	Beschreibung	koli	m <sup>3</sup>	Kg
<b>02GTA02</b>	Zuschnitt der Beine nach Maß	-	-	-
<b>02VER01</b>	Kabelschlange, mattes Methacrylat	1	0,007	1,5



# SUSHI ANBAUFÄHIG

## Zusammenbauschema



# SUSHI ANBAUFÄHIG

## Platte aus Alucompact® - Tisch, Besprechungstisch

### Ausführung der Platte:

Laminat Alucompact® Weiß  
 Laminat Alucompact® Sandgrau  
 Laminat Alucompact® Anthrazitgrau  
 Laminat Alucompact® Schwarz

### Anmerkung:

Auf Anfrage (gem. Anzahl) können die Platten in verschiedenen Materialien hergestellt werden: Laminat Pure-white, Fenix-NTM®, Glas.

Achtung: Die mit (!) gekennzeichneten Maße oder Ausführungen haben eine längere Produktionszeit: zirka 6 Wochen ab Auftragsdatum.

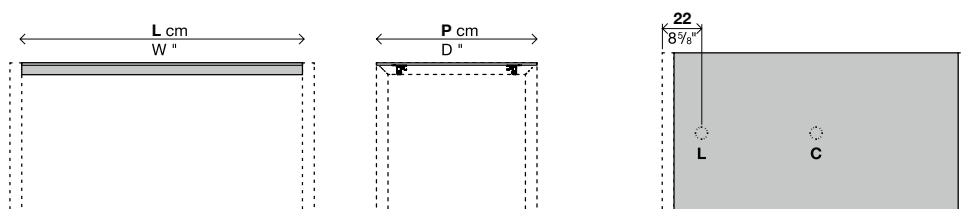
Jene Tische, die im ausgezogenen Zustand eine Länge von 250 cm überschreiten, weisen eine leichte Biegung der Platte auf, die jedoch innerhalb der festgelegten qualitativen Standards liegt.

Für verstärkte Verpackungen siehe Innenseite des Umschlags.

Art.-Nr.	Größe	Platte	kolli	m <sup>3</sup>	Kg
		Alucompact®			
01SUS00	113 x 55 (!)		1	0,2	18
01SUS01	135 x 55 (!)		1	0,24	24
01SUS02	204 x 55 (!)		1	0,33	35
01SUS03	113 x 80		1	0,27	27
01SUS04	138 x 80		1	0,32	32
01SUS15	165 x 80 (!)		1	0,37	37
01SUS05	138 x 90		1	0,36	38
01SUS06	165 x 90		1	0,42	42
01SUS64	188 x 90 (!)		1	0,46	47
01SUS16	208 x 90 (!)		1	0,5	52
01SUS68	228 x 90 (!)		1	0,55	56
01SUS70	248 x 90 (!)		1	0,59	61
01SUS72	268 x 90 (!)		1	0,63	69
01SUS74	288 x 90 (!)		1	0,67	75
01SUS07	88 x 100		1	0,27	26
01SUS08	165 x 100		1	0,45	52
01SUS13	188 x 100 (!)		1	0,5	51
01SUS09	208 x 100 (!)		1	0,55	56
01SUS14	228 x 100 (!)		1	0,6	61
01SUS80	248 x 100 (!)		1	0,65	68
01SUS82	268 x 100 (!)		1	0,69	75
01SUS36	288 x 100 (!)		1	0,74	80
01SUS88	208 x 124 (!)		1	0,66	75
01SUS90	228 x 124 (!)		1	0,72	81
01SUS12	276 x 124 (!)		1	0,85	97

### Optionen

Art.-Nr.	Beschreibung	kolli	m <sup>3</sup>	Kg
02FOR01	Seitlicher oder mittlerer Kabeldurchlass Ø6 cm	-	-	-





# SUSHI ANBAUFÄHIG

## Platte aus Alucompact® - Arbeitstisch

### Ausführung der Platte:

Laminat Alucompact® Weiß

Laminat Alucompact® Sandgrau

Laminat Alucompact® Anthrazitgrau

Laminat Alucompact® Schwarz

### Anmerkung:

Auf Anfrage (gem. Anzahl) können die Platten in verschiedenen Materialien hergestellt werden: Laminat Pure-white, Fenix-NTM®, Glas.

Achtung: Die mit (!) gekennzeichneten Maße oder Ausführungen haben eine längere Produktionszeit: zirka 6 Wochen ab Auftragsdatum.

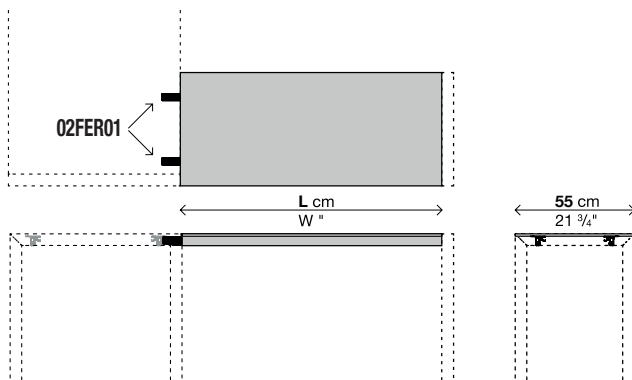
Jene Tische, die im ausgezogenen Zustand eine Länge von 250 cm überschreiten, weisen eine leichte Biegung der Platte auf, die jedoch innerhalb der festgelegten qualitativen Standards liegt.

Für verstärkte Verpackungen siehe Innenseite des Umschlags.

Art.-Nr.	Größe	Platte	kolli m³ Kg	
		Alucompact®		
<b>02SUS00</b>	113 x 55 (!)		1	0,2 18
<b>02SUS01</b>	135 x 55 (!)		1	0,24 24
<b>02SUS02</b>	204 x 55 (!)		1	0,33 35

### Optionen

Art.-Nr.	Beschreibung	kolli m³ Kg	
<b>02FER01</b>	Beschläge für Arbeitstisch	-	- 1,5



# SUSHI ANBAUFÄHIG

## Abschlussbein / Mittelfuß / Mittelsäule

### Ausführung der Beine:

Eloxiertes Aluminium  
 Weiß lackiertes Aluminium (farbähnlich wie RAL 9016)  
 "Alucompact® Sandgrau" lackiertes Aluminium (farbähnlich wie RAL 9002)  
 "Alucompact® Anthrazitgrau" lackiertes Aluminium (farbähnlich wie RAL 7015)  
 Schwarz lackiertes Aluminium (farbähnlich wie RAL 9004)

### Ausführung Mittelsäule:

Aluminiumgrau lackierter Stahl (farbähnlich wie RAL 7042)  
 Weiß lackierter Stahl (farbähnlich wie RAL 9016)  
 Lackierter Stahl "Alucompact® Sandgrau" (farbähnlich wie RAL 9002)  
 Lackierter Stahl "Alucompact® Anthrazitgrau" (farbähnlich wie RAL 7015)  
 Schwarz lackierter Stahl (farbähnlich wie RAL 9004)

### Abschlussbein

Art.-Nr.	Breite	Ausführung		kolli	m <sup>3</sup>	Kg
		Eloxiertes Aluminium	Aluminium lackiert			
<b>02CAV01</b>	55			1	0,22	10
<b>02CAV02</b>	80			1	0,22	10,2
<b>02CAV03</b>	90			1	0,22	10,3
<b>02CAV04</b>	100			1	0,22	10,5
<b>02CAV01A</b>	124			1	0,26	11

### Mittelfuß

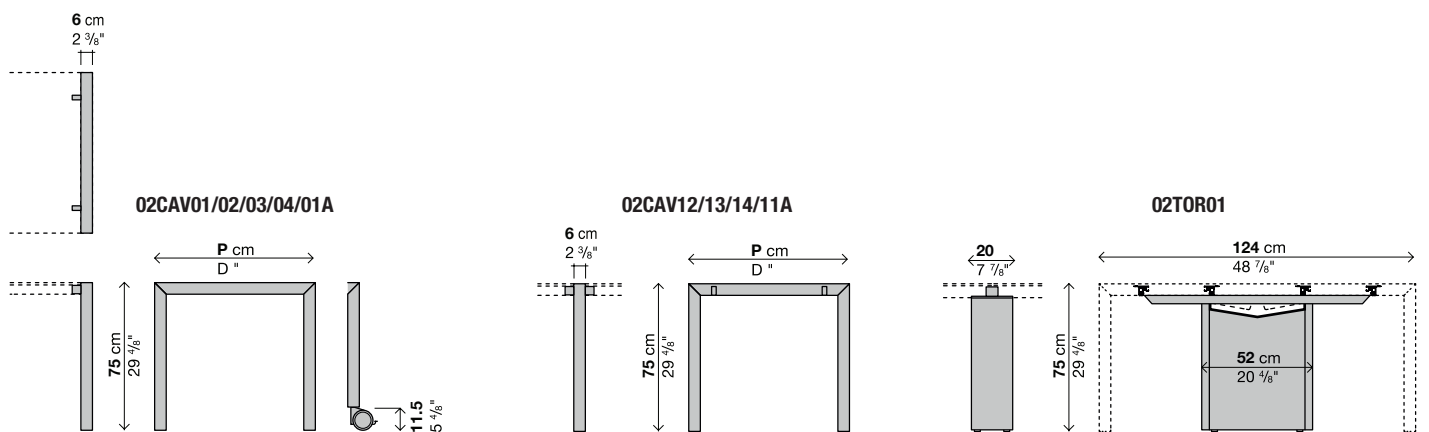
Art.-Nr.	Breite	Ausführung		kolli	m <sup>3</sup>	Kg
		Eloxiertes Aluminium	Aluminium lackiert			
<b>02CAV12</b>	80			1	0,22	10,5
<b>02CAV13</b>	90			1	0,22	10,6
<b>02CAV14</b>	100			1	0,22	10,7
<b>02CAV11A</b>	124			1	0,26	12

### Mittelsäule

Art.-Nr.	Breite	Ausführung		kolli	m <sup>3</sup>	Kg
		Lackierter Stahl				
<b>02TOR01</b>	124			1	0,14	19,5

### Optionen

Art.-Nr.	Beschreibung	kolli	m <sup>3</sup>	Kg
<b>02GTA01</b>	Zuschnitt des Beins nach Maß	-	-	-
<b>02CRU01</b>	Zwei Rollen mit Feststeller	-	-	1



# SUSHI ANBAUFÄHIG

## CPU-Träger / Kabelnetz / Kabelschlange

**Ausführung des CPU-Trägers:**  
Satiniertes Methacrylat

**Ausführung des Kabelnetzes:**  
Kunststoffgitter

**Ausführung der Kabelschlange:**  
Satiniertes Methacrylat

### CPU unit

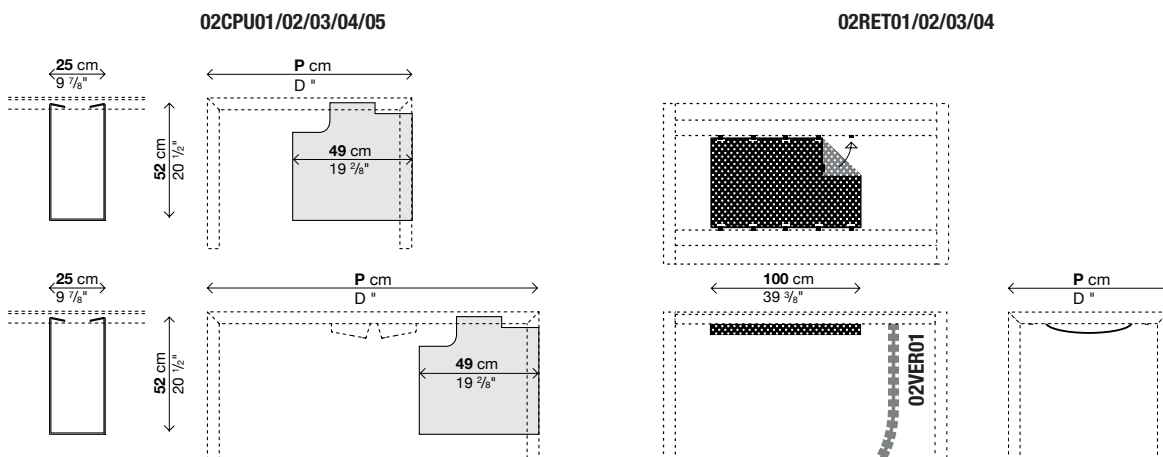
Art.-Nr.	Breite	Ausführung	kolli	m <sup>3</sup>	Kg
		Satiniertes Methacrylat			
<b>02CPU01</b>	80		1	0,14	5,5
<b>02CPU02</b>	90		1	0,14	5,5
<b>02CPU03</b>	100		1	0,14	5,5
<b>02CPU04</b>	124		1	0,14	5,5
<b>02CPU05</b>	160		1	0,14	5,5

### Cable net

Art.-Nr.	Breite	Ausführung	kolli	m <sup>3</sup>	Kg
		Feuerfest plastic			
<b>02RET01</b>	80		1	0,07	1
<b>02RET02</b>	90		1	0,07	1
<b>02RET03</b>	100		1	0,07	1
<b>02RET04</b>	124		1	0,07	1

### Kabelschlange

Art.-Nr.	Ausführung	kolli	m <sup>3</sup>	Kg
	Satiniertes Methacrylat			
<b>02VER01</b>		1	0,01	1,5



# SUSHI

## Dimensions

### Prof. 80 cm

Depth 314<sup>3</sup>/<sub>8</sub>"

80	80 cm 314 <sup>3</sup> / <sub>8</sub> "	→ Alucompact® → Pure-white → Verre
	125 cm 49 <sup>2</sup> / <sub>8</sub> "	→ Alucompact® → Pure-white → Verre
	125/165/205 cm 49 <sup>2</sup> / <sub>8</sub> /65/80 <sup>3</sup> / <sub>4</sub> "	→ Alucompact® → Pure-white → Verre
	150 cm 59"	→ Alucompact® → Pure-white → Verre
	150/190/230 cm 59/74 <sup>7</sup> / <sub>8</sub> /90 <sup>4</sup> / <sub>8</sub> "	→ Alucompact® → Pure-white → Verre
	177 cm 69 <sup>3</sup> / <sub>4</sub> "	→ Alucompact® → Pure-white → Verre
	177/217/257 cm 69 <sup>3</sup> / <sub>4</sub> /85 <sup>4</sup> / <sub>8</sub> /101 <sup>2</sup> / <sub>8</sub> "	→ Alucompact® → Pure-white → Verre
	200 cm 78 <sup>3</sup> / <sub>4</sub> "	→ Alucompact® → Pure-white → Verre
	220 cm 86 <sup>5</sup> / <sub>8</sub> "	→ Alucompact® → Pure-white → Verre
	240 cm 94 <sup>4</sup> / <sub>8</sub> "	→ Alucompact® → Pure-white → Verre
	260 cm 102 <sup>3</sup> / <sub>8</sub> "	→ Alucompact® → Pure-white → Verre
	280 cm 110 <sup>2</sup> / <sub>8</sub> "	→ Alucompact® → Pure-white → Verre
	300 cm 118 <sup>1</sup> / <sub>8</sub> "	→ Alucompact® → Pure-white → Verre

### Prof. 90 cm

Depth 353<sup>3</sup>/<sub>8</sub>"

90	90 cm 353 <sup>3</sup> / <sub>8</sub> "	→ Alucompact® → Pure-white → Verre
	125 cm 49 <sup>2</sup> / <sub>8</sub> "	→ Alucompact® → Pure-white → Verre
	150 cm 59"	→ Alucompact® → Pure-white → Fenix-NTM® → Verre → DEKTON®
	150/187/224 cm 59/73 <sup>5</sup> / <sub>8</sub> /88 <sup>2</sup> / <sub>8</sub> "	→ Alucompact® → Pure-white → Fenix-NTM® → Verre
	150/187/224 cm 59/73 <sup>5</sup> / <sub>8</sub> /88 <sup>2</sup> / <sub>8</sub> "	→ DEKTON®
	177 cm 69 <sup>3</sup> / <sub>4</sub> "	→ Alucompact® → Pure-white → Fenix-NTM® → Verre → DEKTON®
	177/212/247/282 cm 69 <sup>5</sup> / <sub>8</sub> /83 <sup>4</sup> / <sub>8</sub> /97 <sup>2</sup> / <sub>8</sub> /111"	→ Bois
	177/214/251/288 cm 69 <sup>3</sup> / <sub>4</sub> /84 <sup>2</sup> / <sub>8</sub> /98 <sup>7</sup> / <sub>8</sub> /113 <sup>3</sup> / <sub>8</sub> "	→ Alucompact® → Pure-white → Fenix-NTM® → Verre
	177/214/251 cm 69 <sup>3</sup> / <sub>4</sub> /84 <sup>2</sup> / <sub>8</sub> /98 <sup>7</sup> / <sub>8</sub> "	→ DEKTON®
	200 cm 78 <sup>6</sup> / <sub>4</sub> "	→ Alucompact® → Pure-white → Fenix-NTM® → Verre → DEKTON® → Bois
	200/235/270/305 cm 78 <sup>6</sup> / <sub>8</sub> /92 <sup>4</sup> / <sub>8</sub> /106 <sup>2</sup> / <sub>8</sub> /120 <sup>1</sup> / <sub>8</sub> "	→ Bois
	200/237/274 cm 78 <sup>6</sup> / <sub>4</sub> /93 <sup>1</sup> / <sub>4</sub> /107 <sup>7</sup> / <sub>8</sub> "	→ Alucompact® → Pure-white → Fenix-NTM® → Verre
	200/237/274 cm 78 <sup>6</sup> / <sub>4</sub> /93 <sup>1</sup> / <sub>4</sub> /107 <sup>7</sup> / <sub>8</sub> "	→ DEKTON®
	220 cm 86 <sup>5</sup> / <sub>8</sub> "	→ Alucompact® → Pure-white → Fenix-NTM® → Verre → Bois
	220/257/294 cm 86 <sup>5</sup> / <sub>8</sub> /101 <sup>2</sup> / <sub>8</sub> /116 <sup>1</sup> / <sub>8</sub> "	→ Alucompact® → Pure-white → Fenix-NTM® → Verre
	220/264/308 cm 86 <sup>5</sup> / <sub>8</sub> /103 <sup>7</sup> / <sub>8</sub> /121 <sup>2</sup> / <sub>8</sub> "	→ Bois
	240 cm 94 <sup>4</sup> / <sub>8</sub> "	→ Alucompact® → Pure-white → Verre → Bois
	260 cm 102 <sup>3</sup> / <sub>8</sub> "	→ Alucompact® → Pure-white → Verre → Bois

90	280 cm 110 <sup>2</sup> / <sub>8</sub> "	→ Alucompact® → Pure-white → Verre → Bois
	300 cm 118 <sup>1</sup> / <sub>8</sub> "	→ Alucompact® → Pure-white → Verre → Bois
100	100 cm 39 <sup>3</sup> / <sub>8</sub> "	→ Alucompact® → Pure-white → Verre
	100/170 cm 39 <sup>3</sup> / <sub>8</sub> /67"	→ Alucompact® → Pure-white → Verre
	150 cm 59"	→ Alucompact® → Pure-white → Verre
	177 cm 69 <sup>3</sup> / <sub>4</sub> "	→ Alucompact® → Pure-white → Fenix-NTM® → Verre → DEKTON®
	177/224/271 cm 69 <sup>3</sup> / <sub>4</sub> /88 <sup>5</sup> / <sub>8</sub> /106 <sup>3</sup> / <sub>4</sub> "	→ Alucompact® → Pure-white → Fenix-NTM® → Verre
	177/214/251 cm 69 <sup>3</sup> / <sub>4</sub> /84 <sup>2</sup> / <sub>8</sub> /98 <sup>7</sup> / <sub>8</sub> "	→ DEKTON®
	177/212/247/282 cm 69 <sup>3</sup> / <sub>4</sub> /83 <sup>4</sup> / <sub>8</sub> /97 <sup>2</sup> / <sub>8</sub> /111"	→ Bois
	200 cm 78 <sup>3</sup> / <sub>4</sub> "	→ Alucompact® → Pure-white → Fenix-NTM® → Verre → DEKTON® → Bois
	200/247/294 cm 78 <sup>3</sup> / <sub>4</sub> /97 <sup>2</sup> / <sub>8</sub> /115 <sup>3</sup> / <sub>4</sub> "	→ Alucompact® → Pure-white → Fenix-NTM® → Verre
	200/237/274 cm 78 <sup>3</sup> / <sub>4</sub> /93 <sup>1</sup> / <sub>4</sub> /107 <sup>7</sup> / <sub>8</sub> "	→ DEKTON®
	200/235/270/305 cm 78 <sup>3</sup> / <sub>4</sub> /92 <sup>4</sup> / <sub>8</sub> /106 <sup>2</sup> / <sub>8</sub> /120 <sup>1</sup> / <sub>8</sub> "	→ Bois
	220 cm 86 <sup>5</sup> / <sub>8</sub> "	→ Alucompact® → Pure-white → Fenix-NTM® → Verre → Bois
220/267/314 cm 86 <sup>5</sup> / <sub>8</sub> /105 <sup>1</sup> / <sub>8</sub> /123 <sup>3</sup> / <sub>4</sub> "	→ Alucompact® → Pure-white → Fenix-NTM® → Verre	
220/264/308 cm 86 <sup>5</sup> / <sub>8</sub> /103 <sup>7</sup> / <sub>8</sub> /121 <sup>2</sup> / <sub>8</sub> "	→ Bois	

\* = 3ème rallonge supplémentaire (sur demande)

# Plateaux

100

240 cm  
94 7/8"

- Alucompact®
- Pure-white
- Verre
- DEKTON®
- Bois

260 cm  
102 3/8"

- Alucompact®
- Pure-white
- Verre
- Bois

280 cm  
110 2/8"

- Alucompact®
- Pure-white
- Verre
- DEKTON®
- Bois

300 cm  
118 1/8"

- Alucompact®
- Pure-white
- Verre
- Bois

## Prof. 124 cm Depth 48 7/8"

124

220 cm  
86 5/8"

- Alucompact®
- Pure-white
- Verre

240 cm  
94 7/8"

- Alucompact®
- Pure-white
- Verre

288 cm  
113 3/8"

- Alucompact®
- Pure-white
- Verre

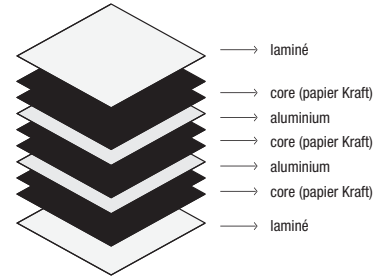
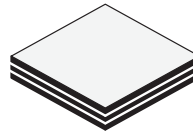
## Prof. 140 cm Depth 55 1/8"

140

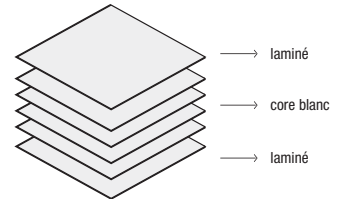
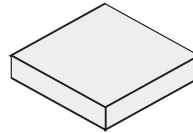
140 cm  
55 1/8"

- Verre

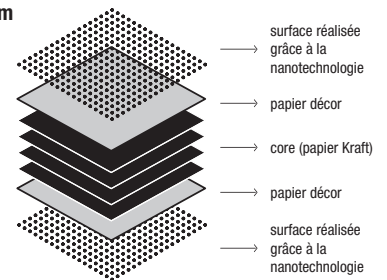
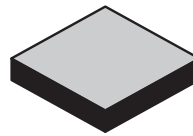
## Alucompact® Ép. 10 mm



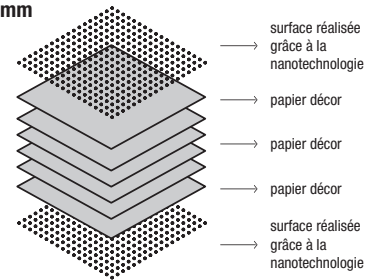
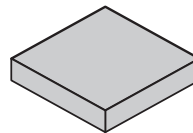
## Pure-white Ép. 10 mm



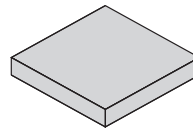
## Fenix-NTM® chant noir Ép. 10 mm



## Fenix-NTM® chant coloré Ép. 10 mm

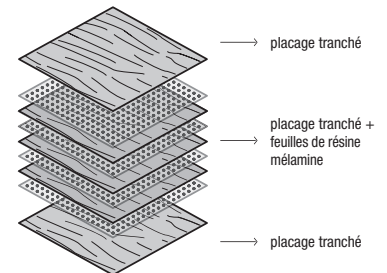
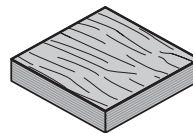


## DEKTON® by Cosentino Ép. 8 mm

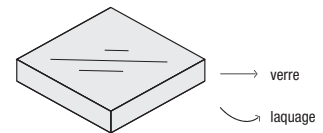
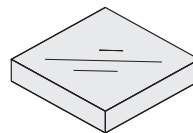


Dekton est un mélange sophistiqué de matières premières utilisées pour la fabrication du verre, de céramique de dernière génération et de surfaces en quartz de très haute qualité

## Bois Ép. 10 mm



## Verre Ép. 10 mm



# SUSHI ALUCOMPACT® / PURE-WHITE

## Extensible - Profondeur 80 cm

### Finition piètement:

Aluminium anodisé

Aluminium laqué blanc (semblable à la teinte RAL 9016)

Aluminium laqué "Alucompact® gris sable" (semblable à la teinte RAL 9002)

Aluminium laqué "Alucompact® gris anthracite" (semblable à la teinte RAL 7015)

Aluminium laqué noir (semblable à la teinte RAL 9004)

### Finition du plateau/rallonges:

Laminé Alucompact® (blanc, gris sable, gris anthracite, noir)

---

Laminé Pure-white blanc

### Notes:

Pour les modèles de table marqués d'un astérisque (\*), il est possible d'ajouter une troisième rallonge pour augmenter davantage l'extension.

Attention: les dimensions et les finitions marquées par un point d'exclamation (!) ont des délais de production plus longs (environ 6 semaines à partir de la date de la commande).

Les tables qui une fois allongées font plus de 250 cm présentent une légère flexion du plateau qui respecte les standards de qualité acceptés.

Emballages renforcés, voir intérieur de la couverture.

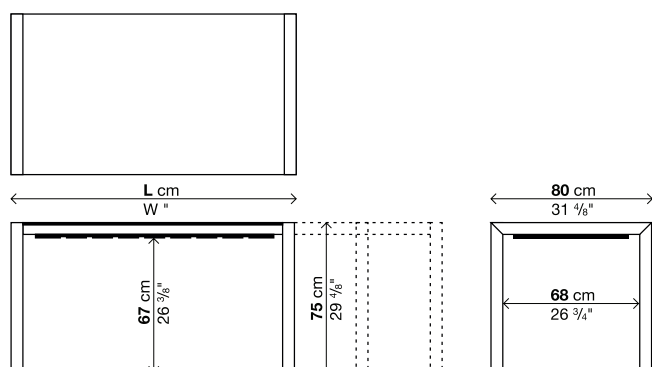
Code	Longueur	Pieds	Plateau		colis	m <sup>3</sup>	Kg
			Alucompact®	Pure-white (!)			
01SUS01	125-165-205	Aluminium			3	0,32	55
		Laqué					
01SUS03*	150-190-230	Aluminium			3	0,37	61
		Laqué					
01SUS08*	177-217-257	Aluminium			3	0,42	67
		Laqué					

### (\* 3ème rallonge supplémentaire

Code	Longueur	Plateau		colis	m <sup>3</sup>	Kg
		Alucompact®	Pure-white			
50SUS5A	33 cm			1	0,03	6

### Optionals

Code	Description	colis	m <sup>3</sup>	Kg
02GTA02	Coupe des pieds sur mesure	-	-	-



# SUSHI ALUcompact® / PURE-WHITE

## Fixe - Profondeur 80 cm

### Finition piètement:

Aluminium anodisé  
 Aluminium laqué blanc (semblable à la teinte RAL 9016)  
 Aluminium laqué "Alucompact® gris sable" (semblable à la teinte RAL 9002)  
 Aluminium laqué "Alucompact® gris anthracite" (semblable à la teinte RAL 7015)  
 Aluminium laqué noir (semblable à la teinte RAL 9004)

### Finition du plateau:

Laminé Alucompact® (blanc, gris sable, gris anthracite, noir)

---

Laminé Pure-white blanc

### Notes:

Attention: les dimensions et les finitions marquées par un point d'exclamation (!) ont des délais de production plus longs (environ 6 semaines à partir de la date de la commande).

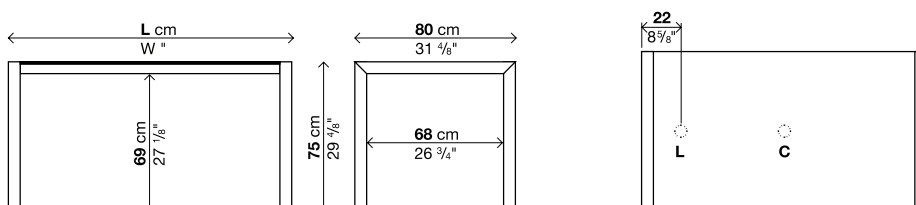
Les tables qui une fois allongées font plus de 250 cm présentent une légère flexion du plateau qui respecte les standards de qualité acceptés.

Emballages renforcés, voir intérieur de la couverture.

Code	Longueur	Pieds	Plateau		colis	m <sup>3</sup>	Kg																																																																																														
			Alucompact®	Pure-white																																																																																																	
<b>01SUS10F</b>	80 (!)	Aluminium			1	0,18	26																																																																																														
		Laqué						<b>01SUS01F</b>	125 (!)	Aluminium			1	0,27	35	Laqué			<b>01SUS03F</b>	150 (!)	Aluminium			1	0,32	41	Laqué			<b>01SUS32F</b>	177 (!)	Aluminium			1	0,37	47	Laqué			<b>01SUS34F</b>	200 (!)	Aluminium			1	0,41	52	Laqué			<b>01SUS38F</b>	220 (!)	Aluminium			1	0,45	56	Laqué			<b>01SUS43F</b>	240 (!)	Aluminium			1	0,49	60	Laqué			<b>01SUS48F</b>	260 (!)	Aluminium			1	0,53	65	Laqué			<b>01NOR51F</b>	280 (!)	Aluminium			1	0,57	68	Laqué			<b>01NOR55F</b>	300 (!)	Aluminium			1
<b>01SUS01F</b>	125 (!)	Aluminium			1	0,27	35																																																																																														
		Laqué						<b>01SUS03F</b>	150 (!)	Aluminium			1	0,32	41	Laqué			<b>01SUS32F</b>	177 (!)	Aluminium			1	0,37	47	Laqué			<b>01SUS34F</b>	200 (!)	Aluminium			1	0,41	52	Laqué			<b>01SUS38F</b>	220 (!)	Aluminium			1	0,45	56	Laqué			<b>01SUS43F</b>	240 (!)	Aluminium			1	0,49	60	Laqué			<b>01SUS48F</b>	260 (!)	Aluminium			1	0,53	65	Laqué			<b>01NOR51F</b>	280 (!)	Aluminium			1	0,57	68	Laqué			<b>01NOR55F</b>	300 (!)	Aluminium			1	0,61	72	Laqué								
<b>01SUS03F</b>	150 (!)	Aluminium			1	0,32	41																																																																																														
		Laqué						<b>01SUS32F</b>	177 (!)	Aluminium			1	0,37	47	Laqué			<b>01SUS34F</b>	200 (!)	Aluminium			1	0,41	52	Laqué			<b>01SUS38F</b>	220 (!)	Aluminium			1	0,45	56	Laqué			<b>01SUS43F</b>	240 (!)	Aluminium			1	0,49	60	Laqué			<b>01SUS48F</b>	260 (!)	Aluminium			1	0,53	65	Laqué			<b>01NOR51F</b>	280 (!)	Aluminium			1	0,57	68	Laqué			<b>01NOR55F</b>	300 (!)	Aluminium			1	0,61	72	Laqué																			
<b>01SUS32F</b>	177 (!)	Aluminium			1	0,37	47																																																																																														
		Laqué						<b>01SUS34F</b>	200 (!)	Aluminium			1	0,41	52	Laqué			<b>01SUS38F</b>	220 (!)	Aluminium			1	0,45	56	Laqué			<b>01SUS43F</b>	240 (!)	Aluminium			1	0,49	60	Laqué			<b>01SUS48F</b>	260 (!)	Aluminium			1	0,53	65	Laqué			<b>01NOR51F</b>	280 (!)	Aluminium			1	0,57	68	Laqué			<b>01NOR55F</b>	300 (!)	Aluminium			1	0,61	72	Laqué																														
<b>01SUS34F</b>	200 (!)	Aluminium			1	0,41	52																																																																																														
		Laqué						<b>01SUS38F</b>	220 (!)	Aluminium			1	0,45	56	Laqué			<b>01SUS43F</b>	240 (!)	Aluminium			1	0,49	60	Laqué			<b>01SUS48F</b>	260 (!)	Aluminium			1	0,53	65	Laqué			<b>01NOR51F</b>	280 (!)	Aluminium			1	0,57	68	Laqué			<b>01NOR55F</b>	300 (!)	Aluminium			1	0,61	72	Laqué																																									
<b>01SUS38F</b>	220 (!)	Aluminium			1	0,45	56																																																																																														
		Laqué						<b>01SUS43F</b>	240 (!)	Aluminium			1	0,49	60	Laqué			<b>01SUS48F</b>	260 (!)	Aluminium			1	0,53	65	Laqué			<b>01NOR51F</b>	280 (!)	Aluminium			1	0,57	68	Laqué			<b>01NOR55F</b>	300 (!)	Aluminium			1	0,61	72	Laqué																																																				
<b>01SUS43F</b>	240 (!)	Aluminium			1	0,49	60																																																																																														
		Laqué						<b>01SUS48F</b>	260 (!)	Aluminium			1	0,53	65	Laqué			<b>01NOR51F</b>	280 (!)	Aluminium			1	0,57	68	Laqué			<b>01NOR55F</b>	300 (!)	Aluminium			1	0,61	72	Laqué																																																															
<b>01SUS48F</b>	260 (!)	Aluminium			1	0,53	65																																																																																														
		Laqué						<b>01NOR51F</b>	280 (!)	Aluminium			1	0,57	68	Laqué			<b>01NOR55F</b>	300 (!)	Aluminium			1	0,61	72	Laqué																																																																										
<b>01NOR51F</b>	280 (!)	Aluminium			1	0,57	68																																																																																														
		Laqué						<b>01NOR55F</b>	300 (!)	Aluminium			1	0,61	72	Laqué																																																																																					
<b>01NOR55F</b>	300 (!)	Aluminium			1	0,61	72																																																																																														
		Laqué																																																																																																			

### Optionals

Code	Description	colis	m <sup>3</sup>	Kg
<b>02GTA02</b>	Coupe des pieds sur mesure	-	-	-
<b>02FOR01</b>	Passe-câbles latérale ou central Ø6	-	-	-
<b>02RET01</b>	Câblage, matière plastique	1	0,07	1
<b>02VER01</b>	Vertèbre, méthacrylate opaline	1	0,007	1,5
<b>02CPU01</b>	Support CPU, méthacrylate opaline	1	0,14	5,5



# SUSHI ALUCompact® / PURE-WHITE / FENIX-NTM®

## Extensible - Profondeur 90 cm

### Finition piètement:

Aluminium anodisé  
 Aluminium laqué blanc (semblable à la teinte RAL 9016)  
 Aluminium laqué "Alucompact® gris sable" (semblable à la teinte RAL 9002)  
 Aluminium laqué "Alucompact® gris anthracite" (semblable à la teinte RAL 7015)  
 Aluminium laqué noir (semblable à la teinte RAL 9004)  
 Aluminium laqué vert olive (reference couleur "Polyuréthane vert olive P008")

### Finition du plateau/rallonges:

Laminé Alucompact® (blanc, gris sable, gris anthracite, noir)  
 ---  
 Laminé Pure-white blanc  
 ---  
 Fenix-NTM® chant noir (blanc Kos 0032, gris Londres 0718, grigio Bromo 0724, noir Ingo 0720)  
 ---  
 Fenix-NTM® chant coloré (blanc Kos 0032, gris Londres 0718)

### Notes:

Pour les modèles de table marqués d'un astérisque (\*), il est possible d'ajouter une troisième rallonge pour augmenter davantage l'extension.

Attention: les dimensions et les finitions marquées par un point d'exclamation (!) ont des délais de production plus longs (environ 6 semaines à partir de la date de la commande).

Les tables qui une fois allongées font plus de 250 cm présentent une légère flexion du plateau qui respecte les standards de qualité acceptés.

Emballages renforcés, voir intérieur de la couverture.

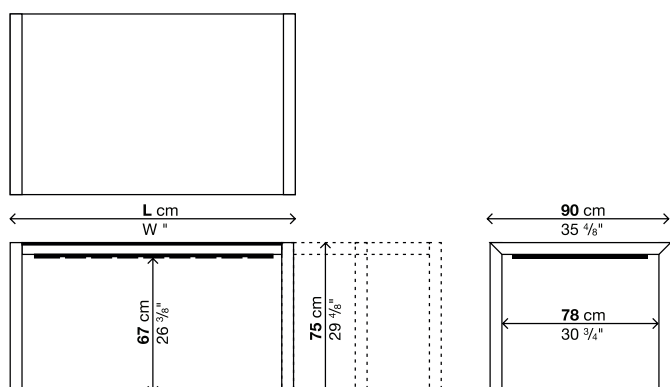
Code	Longueur	Pieds	Plateau				colis m³	Kg	
			Alucompact®	Fenix-NTM® chant noir	Pure-white	Fenix-NTM® chant coloré			
01SUS07*	150-187-224	Aluminium					3	0,41	71
		Laqué							
01SUS06	177-214-251-288 3eme extension compris standard	Aluminium					4	0,5	81
		Laqué							
01SUS09*	200-237-274	Aluminium					3	0,51	82
		Laqué							
01SUS35*	220-257-294	Aluminium					3	0,55	88
		Laqué							

### (\* 3ème rallonge supplémentaire

Code	Longueur	Plateau				colis m³	Kg	
		Alucompact®	Fenix-NTM® chant noir	Pure-white	Fenix-NTM® chant coloré			
50SUS2A	37,5 cm					1	0,03	6,5

### Optionals

Code	Description	colis m³	Kg
02GTA02	Coupe des pieds sur mesure	-	-





# SUSHI ALUcompact® / PURE-WHITE / FENIX-NTM®

## Fixe - Profondeur 90 cm

### Finition piètement:

Aluminium anodisé  
 Aluminium laqué blanc (semblable à la teinte RAL 9016)  
 Aluminium laqué "Alucompact® gris sable" (semblable à la teinte RAL 9002)  
 Aluminium laqué "Alucompact® gris anthracite" (semblable à la teinte RAL 7015)  
 Aluminium laqué noir (semblable à la teinte RAL 9004)  
 Aluminium laqué vert olive (reference couleur "Polyuréthane vert olive P008")

### Finition du plateau:

Laminé Alucompact® (blanc, gris sable, gris anthracite, noir)  
 Laminé Pure-white blanc

---  
 Fenix-NTM® chant noir (blanc Kos 0032, gris Londres 0718, grigio Bromo 0724, noir Ingo 0720)  
 Fenix-NTM® chant coloré (blanc Kos 0032, gris Londres 0718)

### Notes:

Attention: les dimensions et les finitions marquées par un point d'exclamation (!) ont des délais de production plus longs (environ 6 semaines à partir de la date de la commande).

Les tables qui une fois allongées font plus de 250 cm présentent une légère flexion du plateau qui respecte les standards de qualité acceptés.

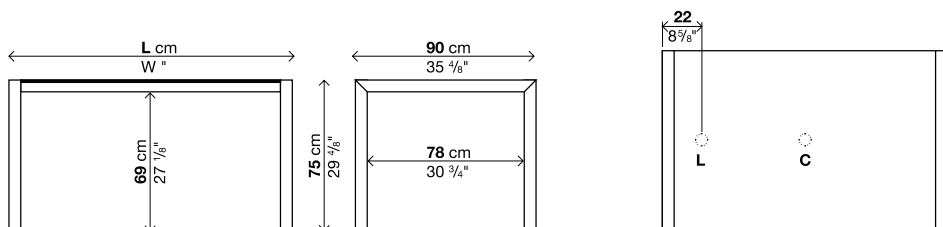
Les tables longueur 280 et 300 cm présentent au centre une traverse sous-plateau de support, conséquence: les ouvertures passe-câbles ne pourront pas être centrées exactement par rapport à la profondeur de la table mais il faudra donc les déplacer légèrement.

Emballages renforcés, voir intérieur de la couverture.

Code	Longueur	Pieds	Plateau				colis m³ Kg
			Alucompact®	Fenix-NTM® chant noir	Pure-white	Fenix-NTM® chant coloré	
01SUS57F	90	Aluminium		-		-	1 0,23 30
		Laqué		-		-	
01SUS59F	125	Aluminium		-		-	1 0,3 41
		Laqué		-		-	
01SUS07F	150	Aluminium					1 0,36 46
		Laqué					
01SUS06F	177	Aluminium					1 0,42 52
		Laqué					
01SUS64F	200	Aluminium					1 0,46 57
		Laqué					
01SUS35F	220 (!)	Aluminium					1 0,5 62
		Laqué					
01SUS68F	240 (!)	Aluminium		-		-	1 0,55 66
		Laqué		-		-	
01SUS70F	260 (!)	Aluminium		-		-	1 0,59 71
		Laqué		-		-	
01SUS72F	280 (!)	Aluminium		-		-	1 0,63 79
		Laqué		-		-	
01SUS74F	300 (!)	Aluminium		-		-	1 0,67 85
		Laqué		-		-	

### Optionals

Code	Description	colis m³ Kg
02GTA02	Coupe des pieds sur mesure	- - -
02FOR01	Passe-câbles latérale ou central Ø6	- - -
02RET02	Câblage, matière plastique	1 0,07 1
02VER01	Vertèbre, méthacrylate opaline	1 0,007 1,5
02CPU02	Support CPU, méthacrylate opaline	1 0,14 5,5



# SUSHI ALUcompact® / PURE-WHITE / FENIX-NTM®

## Extensible - Profondeur 100 cm

### Finition piètement:

Aluminium anodisé  
 Aluminium laqué blanc (semblable à la teinte RAL 9016)  
 Aluminium laqué "Alucompact® gris sable" (semblable à la teinte RAL 9002)  
 Aluminium laqué "Alucompact® gris anthracite" (semblable à la teinte RAL 7015)  
 Aluminium laqué noir (semblable à la teinte RAL 9004)  
 Aluminium laqué vert olive (reference couleur "Polyuréthane vert olive P008")

### Finition du plateau/rallonges:

Laminé Alucompact® (blanc, gris sable, gris anthracite, noir)  
 ---  
 Laminé Pure-white blanc  
 ---  
 Fenix-NTM® chant noir (blanc Kos 0032, gris Londres 0718, grigio Bromo 0724, noir Ingo 0720)  
 ---  
 Fenix-NTM® chant coloré (blanc Kos 0032, gris Londres 0718)

### Notes:

Pour les modèles de table marqués d'un astérisque (\*), il est possible d'ajouter une troisième rallonge pour augmenter davantage l'extension.

Les tables qui une fois allongées font plus de 250 cm présentent une légère flexion du plateau qui respecte les standards de qualité acceptés.

Emballages renforcés, voir intérieur de la couverture.

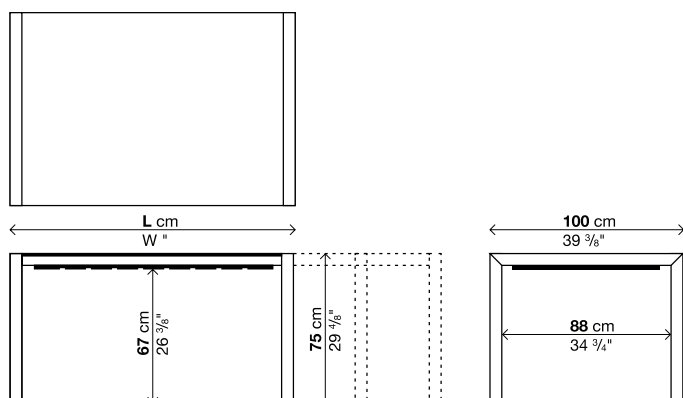
Code	Longueur	Pieds	Plateau				colis	m <sup>3</sup>	Kg
			Alucompact®	Fenix-NTM® chant noir	Pure-white	Fenix-NTM® chant coloré			
01SUS04	100-170	Aluminium		-		-	3	0,33	55
		Laqué		-		-			
01SUS02*	177-224-271	Aluminium					3	0,52	85
		Laqué							
01SUS36*	200-247-294	Aluminium					3	0,57	92
		Laqué							
01SUS05*	220-267-314	Aluminium					3	0,62	98
		Laqué							

### (\* 3ème rallonge supplémentaire

Code	Longueur	Plateau				colis	m <sup>3</sup>	Kg
		Alucompact®	Fenix-NTM® chant noir	Pure-white	Fenix-NTM® chant coloré			
50SUS6A	33 cm					1	0,03	6

### Optionals

Code	Description	colis	m <sup>3</sup>	Kg
02GTA02	Coupe des pieds sur mesure	-	-	-



# SUSHI ALUcompact® / PURE-WHITE / FENIX-NTM®

## Fixe - Profondeur 100 cm

### Finition piètement:

Aluminium anodisé  
 Aluminium laqué blanc (semblable à la teinte RAL 9016)  
 Aluminium laqué "Alucompact® gris sable" (semblable à la teinte RAL 9002)  
 Aluminium laqué "Alucompact® gris anthracite" (semblable à la teinte RAL 7015)  
 Aluminium laqué noir (semblable à la teinte RAL 9004)  
 Aluminium laqué vert olive (reference couleur "Polyuréthane vert olive P008")

### Finition du plateau:

Laminé Alucompact® (blanc, gris sable, gris anthracite, noir)  
 Laminé Pure-white blanc

---

Fenix-NTM® chant noir (blanc Kos 0032, gris Londres 0718, grigio Bromo 0724, noir Ingo 0720)

Fenix-NTM® chant coloré (blanc Kos 0032, gris Londres 0718)

### Notes:

Attention: les dimensions et les finitions marquées par un point d'exclamation (!) ont des délais de production plus longs (environ 6 semaines à partir de la date de la commande).

Les tables qui une fois allongées font plus de 250 cm présentent une légère flexion du plateau qui respecte les standards de qualité acceptés.

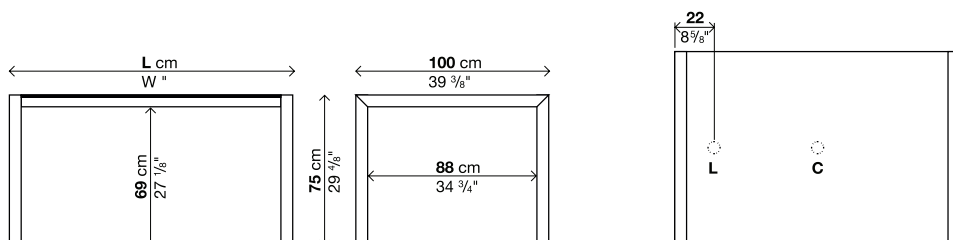
Les tables longueur 280 et 300 cm présentent au centre une traverse sous-plateau de support, conséquence: les ouvertures passe-câbles ne pourront pas être centrées exactement par rapport à la profondeur de la table mais il faudra donc les déplacer légèrement.

Emballages renforcés, voir intérieur de la couverture.

Code	Longueur	Pieds	Plateau				colis	m <sup>3</sup>	Kg
			Alucompact®	Fenix-NTM® chant noir	Pure-white	Fenix-NTM® chant coloré			
<b>01SUS04F</b>	100	Aluminium		-		-	1	0,32	40
		Laqué		-		-			
<b>01SUS78F</b>	150	Aluminium		-		-	1	0,39	50
		Laqué		-		-			
<b>01SUS02F</b>	177	Aluminium		-		-	1	0,45	56
		Laqué		-		-			
<b>01SUS08F</b>	200	Aluminium		-		-	1	0,5	62
		Laqué		-		-			
<b>01SUS05F</b>	220	Aluminium		-		-	1	0,55	67
		Laqué		-		-			
<b>01SUS09F</b>	240 (!)	Aluminium		-		-	1	0,6	72
		Laqué		-		-			
<b>01SUS80F</b>	260 (!)	Aluminium		-		-	1	0,65	77
		Laqué		-		-			
<b>01SUS82F</b>	280 (!)	Aluminium		-		-	1	0,69	85
		Laqué		-		-			
<b>01SUS36F</b>	300 (!)	Aluminium		-		-	1	0,74	90
		Laqué		-		-			

### Optionals

Code	Description	colis	m <sup>3</sup>	Kg
<b>02GTA02</b>	Coupe des pieds sur mesure	-	-	-
<b>02FOR01</b>	Passe-câbles latérale ou central Ø6	-	-	-
<b>02RET03</b>	Câblage, matière plastique	1	0,07	1
<b>02VER01</b>	Vertèbre, méthacrylate opaline	1	0,007	1,5
<b>02CPU03</b>	Support CPU, méthacrylate opaline	1	0,14	5,5



# SUSHI ALUCOMPACT® / PURE-WHITE

## Fixe - Profondeur 124 cm

### Finition piètement:

Aluminium anodisé  
 Aluminium laqué blanc (semblable à la teinte RAL 9016)  
 Aluminium laqué "Alucompact® gris sable" (semblable à la teinte RAL 9002)  
 Aluminium laqué "Alucompact® gris anthracite" (semblable à la teinte RAL 7015)  
 Aluminium laqué noir (semblable à la teinte RAL 9004)  
 Aluminium laqué vert olive (reference couleur "Polyuréthane vert olive P008")

### Finition du plateau:

Laminé Alucompact® (blanc, gris sable, gris anthracite, noir)

---

Laminé Pure-white blanc

### Notes:

Attention: les dimensions et les finitions marquées par un point d'exclamation (!) ont des délais de production plus longs (environ 6 semaines à partir de la date de la commande).

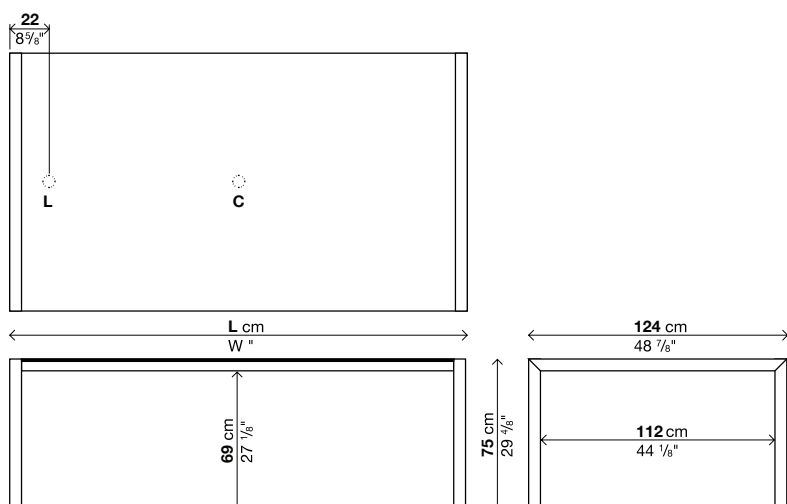
Les tables qui une fois allongées font plus de 250 cm présentent une légère flexion du plateau qui respecte les standards de qualité acceptés.

Emballages renforcés, voir intérieur de la couverture.

Code	Longueur	Pieds	Plateau		colis	m <sup>3</sup>	Kg
			Alucompact®	Pure-white			
01SUS88F	220 (!)	Aluminium			1	0,66	86
		Laqué					
01SUS90F	240 (!)	Aluminium			1	0,72	92
		Laqué					
01SUS92F	288 (!)	Aluminium			1	0,85	108
		Laqué					

### Optionals

Code	Description	colis	m <sup>3</sup>	Kg
02GTA02	Coupe des pieds sur mesure	-	-	-
02FOR01	Passe-câbles latérale ou central Ø6	-	-	-
02RET04	Câblage, matière plastique	1	0,07	1
02VER01	Vertèbre, méthacrylate opaline	1	0,007	1,5
02CPU04	Support CPU, méthacrylate opaline	1	0,14	5,5



# SUSHI DEKTON® BY COSENTINO

## Extensible - Profondeur 90 cm

### Finition piètement:

Aluminium anodisé  
 Aluminium laqué blanc (semblable à la teinte RAL 9016)  
 Aluminium laqué "gris Ventus"  
 Aluminium laqué vert olive (reference couleur "Polyuréthane vert olive PO08")

### Finition du plateau:

DEKTON® blanc Zenith  
 DEKTON® gris Ventus  
 DEKTON® Aura (effet marbre)

### Finition des rallonges:

Aluminium laqué blanc (semblable à la teinte RAL 9016)  
 Aluminium laqué "gris Ventus"

### Notes:

Attention: les veines imprimées sur la surface des plateaux en DEKTON® Aura (effet marbre) sont disposées de façon aléatoire, ce qui rend chaque plateau unique puisque une reproduction exacte est bien entendu impossible. Cette caractéristique implique qu'il pourrait y avoir des différences par rapport aux échantillons, mais celles-ci ne pourront en aucun cas faire l'objet de contestations au titre d'imperfections ou d'anomalies. Du fait que l'impression réalisée est du type aléatoire, aucune demande concernant l'homogénéité des veines ne pourra être acceptée.

Attention: les dimensions et les finitions marquées par un point d'exclamation (!) ont des délais de production plus longs (environ 6 semaines à partir de la date de la commande).

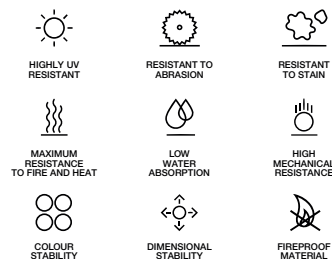
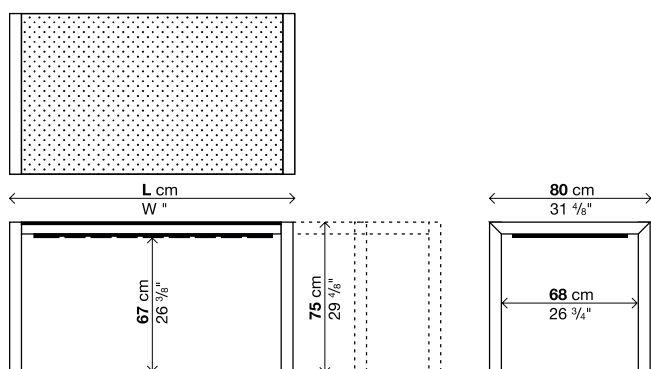
Les tables qui une fois allongées font plus de 250 cm présentent une légère flexion du plateau qui respecte les standards de qualité acceptés.

Emballages renforcés, voir intérieur de la couverture.

Code	Longueur	Pieds	Plateau	colis	m <sup>3</sup>	Kg
			DEKTON®			
01SUS07	150-187-224 (!)	Aluminium		3	0,41	89
		Laqué				
01SUS06	177-214-251 (!)	Aluminium		3	0,5	102
		Laqué				
01SUS09	200-237-274 (!)	Aluminium		3	0,51	105
		Laqué				

### Optionals

Code	Description	colis	m <sup>3</sup>	Kg
02GTA02	Coupe des pieds sur mesure	-	-	-



# SUSHI DEKTON® BY COSENTINO

## Fixe - Profondeur 90 cm

### Finition piètement:

Aluminium anodisé  
 Aluminium laqué blanc (semblable à la teinte RAL 9016)  
 Aluminium laqué "gris Ventus"  
 Aluminium laqué vert olive (reference couleur "Polyuréthane vert olive PO08")

### Finition du plateau:

DEKTON® blanc Zenith  
 DEKTON® gris Ventus  
 DEKTON® Aura (effet marbre)

### Notes:

Attention: les veines imprimées sur la surface des plateaux en DEKTON® Aura (effet marbre) sont disposées de façon aléatoire, ce qui rend chaque plateau unique puisque une reproduction exacte est bien entendu impossible. Cette caractéristique implique qu'il pourrait y avoir des différences par rapport aux échantillons, mais celles-ci ne pourront en aucun cas faire l'objet de contestations au titre d'imperfections ou d'anomalies. Du fait que l'impression réalisée est du type aléatoire, aucune demande concernant l'homogénéité des veines ne pourra être acceptée.

Attention: les dimensions et les finitions marquées par un point d'exclamation (!) ont des délais de production plus longs (environ 6 semaines à partir de la date de la commande).

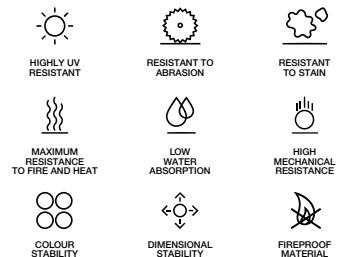
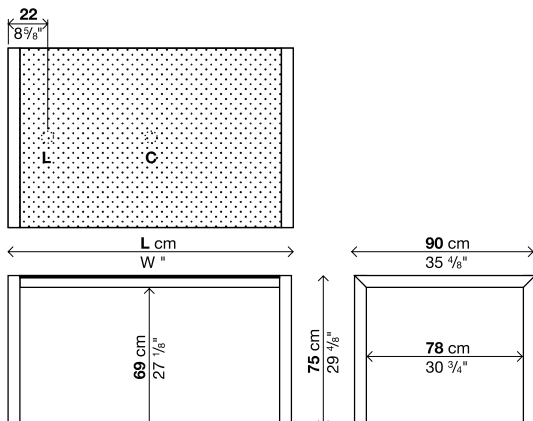
Les tables qui une fois allongées font plus de 250 cm présentent une légère flexion du plateau qui respecte les standards de qualité acceptés.

Emballages renforcés, voir intérieur de la couverture.

Code	Longueur	Pieds	Plateau	colis	m <sup>2</sup>	Kg
			DEKTON®			
01SUS07F	150 (!)	Aluminium		1	0,36	60
		Laqué				
01SUS06F	177 (!)	Aluminium		1	0,42	69
		Laqué				
01SUS64F	200 (!)	Aluminium		1	0,46	76
		Laqué				

### Optionals

Code	Description	colis	m <sup>2</sup>	Kg
02GTA02	Coupe des pieds sur mesure	-	-	-
02RET02	Câblage, matière plastique	1	0,07	1
02VER01	Vertèbre, méthacrylate opaline	1	0,007	1,5
02CPU02	Support CPU, méthacrylate opaline	1	0,14	5,5



# SUSHI DEKTON® BY COSENTINO

## Extensible - Profondeur 100 cm

### Finition piètement:

Aluminium anodisé  
Aluminium laqué blanc (semblable à la teinte RAL 9016)  
Aluminium laqué "gris Ventus"  
Aluminium laqué vert olive (reference couleur "Polyuréthane vert olive PO08")

### Finition du plateau:

DEKTON® blanc Zenith  
DEKTON® gris Ventus  
DEKTON® Aura (effet marbre)

### Finition des rallonges:

Aluminium laqué blanc (semblable à la teinte RAL 9016)  
Aluminium laqué "gris Ventus"

### Notes:

Attention: les veines imprimées sur la surface des plateaux en DEKTON® Aura (effet marbre) sont disposées de façon aléatoire, ce qui rend chaque plateau unique puisque une reproduction exacte est bien entendu impossible. Cette caractéristique implique qu'il pourrait y avoir des différences par rapport aux échantillons, mais celles-ci ne pourront en aucun cas faire l'objet de contestations au titre d'imperfections ou d'anomalies. Du fait que l'impression réalisée est du type aléatoire, aucune demande concernant l'homogénéité des veines ne pourra être acceptée.

Attention: les dimensions et les finitions marquées par un point d'exclamation (!) ont des délais de production plus longs (environ 6 semaines à partir de la date de la commande).

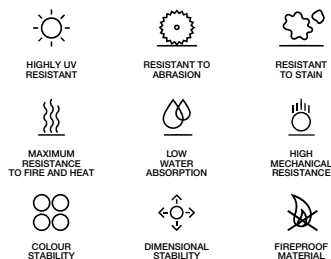
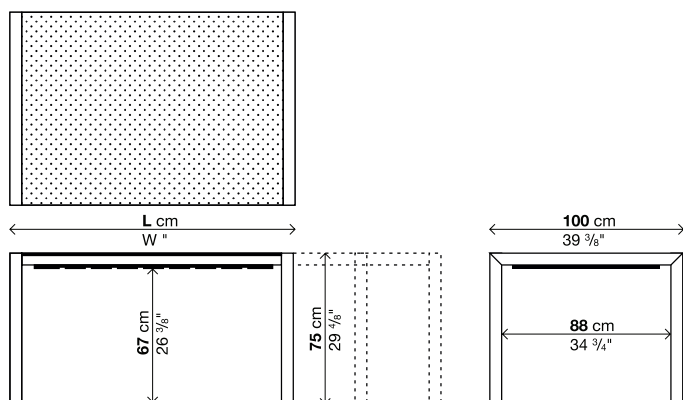
Les tables qui une fois allongées font plus de 250 cm présentent une légère flexion du plateau qui respecte les standards de qualité acceptés.

Emballages renforcés, voir intérieur de la couverture.

Code	Longueur	Pieds	Plateau	colis	m <sup>2</sup>	Kg
			DEKTON®			
01SUS02	177-214-251 (!)		Aluminium	3	0,52	108
			Laqué			
01SUS36	200-237-274 (!)		Aluminium	3	0,57	118
			Laqué			

### Optionals

Code	Description	colis	m <sup>2</sup>	Kg
02GTA02	Coupe des pieds sur mesure	-	-	-



# SUSHI DEKTON® BY COSENTINO

## Fixe - Profondeur 100 cm

### Finition piètement:

Aluminium anodisé  
 Aluminium laqué blanc (semblable à la teinte RAL 9016)  
 Aluminium laqué "gris Ventus"  
 Aluminium laqué vert olive (reference couleur "Polyuréthane vert olive PO08")

### Finition du plateau:

DEKTON® blanc Zenith  
 DEKTON® gris Ventus  
 DEKTON® Aura (effet marbre)

### Notes:

Attention: les veines imprimées sur la surface des plateaux en DEKTON® Aura (effet marbre) sont disposées de façon aléatoire, ce qui rend chaque plateau unique puisque une reproduction exacte est bien entendu impossible. Cette caractéristique implique qu'il pourrait y avoir des différences par rapport aux échantillons, mais celles-ci ne pourront en aucun cas faire l'objet de contestations au titre d'imperfections ou d'anomalies. Du fait que l'impression réalisée est du type aléatoire, aucune demande concernant l'homogénéité des veines ne pourra être acceptée.

Attention: les dimensions et les finitions marquées par un point d'exclamation (!) ont des délais de production plus longs (environ 6 semaines à partir de la date de la commande).

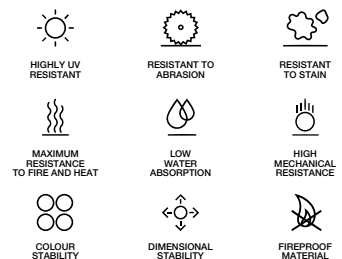
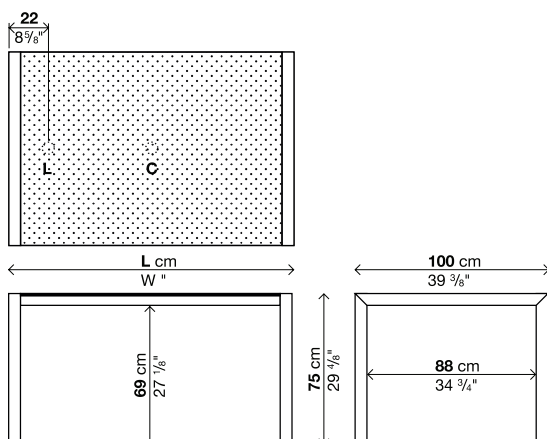
Les tables qui une fois allongées font plus de 250 cm présentent une légère flexion du plateau qui respecte les standards de qualité acceptés.

Emballages renforcés, voir intérieur de la couverture.

Code	Longueur	Pieds	Plateau	colis	m <sup>3</sup>	Kg
			DEKTON®			
01SUS02F	177	Aluminium		1	0,45	74
		Laqué				
01SUS08F	200	Aluminium		1	0,5	83
		Laqué				
01SUS09F	240	Aluminium		1	0,6	97
		Laqué				
01SUS82F	280	Aluminium		1	0,69	115
		Laqué				

### Optionals

Code	Description	colis	m <sup>3</sup>	Kg
02GTA02	Coupe des pieds sur mesure	-	-	-
02RET03	Câblage, matière plastique	1	0,07	1
02VER01	Vertèbre, méthacrylate opaline	1	0,007	1,5
02CPU03	Support CPU, méthacrylate opaline	1	0,14	5,5





# SUSHI BOIS

## Extensible - Profondeur 90 cm

### Finition piètement:

Aluminium anodisé  
 Aluminium laqué blanc (semblable à la teinte RAL 9016)  
 Aluminium laqué "Alucompact® gris sable" (semblable à la teinte RAL 9002)  
 Aluminium laqué "Alucompact® gris anthracite" (semblable à la teinte RAL 7015)  
 Aluminium laqué "Fenix-NTM® gris Londres" (semblable à la teinte RAL Design0805005)  
 Aluminium laqué noir (semblable à la teinte RAL 9004)  
 Aluminium laqué vert olive (reference couleur "Polyuréthane vert olive P008")

### Finition du plateau/rallonges:

Bois aspect chêne européen  
 Bois aspect noyer  
 Bois aspect chêne teinté noir

### Notes:

Attention: les dimensions et les finitions marquées par un point d'exclamation (!) ont des délais de production plus longs (environ 6 semaines à partir de la date de la commande).

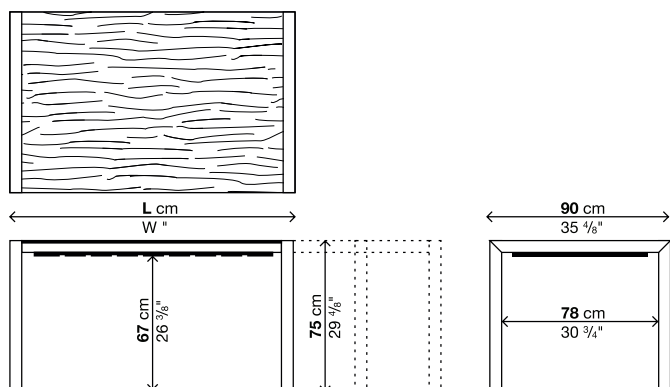
Les tables qui une fois allongées font plus de 250 cm présentent une légère flexion du plateau qui respecte les standards de qualité acceptés.

Emballages renforcés, voir intérieur de la couverture.

Code	Longueur	Pieds	Plateau	colis	m³	Kg
			Bois			
01SUS06	177-212-247-282 avec trois rallonges	Aluminium Laqué		4	0,5	81
01SUS09	200-235-270-305 avec trois rallonges	Aluminium Laqué		4	0,53	88,5
01SUS35	220-264-308 (!) avec deux rallonges	Aluminium Laqué		3	0,55	88

### Optionals

Code	Description	colis	m³	Kg
02GTA02	Coupe des pieds sur mesure	-	-	-



# SUSHI BOIS

## Fixe - Profondeur 90 cm

### Finition piètement:

Aluminium anodisé  
 Aluminium laqué blanc (semblable à la teinte RAL 9016)  
 Aluminium laqué "Alucompact® gris sable" (semblable à la teinte RAL 9002)  
 Aluminium laqué "Alucompact® gris anthracite" (semblable à la teinte RAL 7015)  
 Aluminium laqué "Fenix-NTM® gris Londres" (semblable à la teinte RAL Design0805005)  
 Aluminium laqué noir (semblable à la teinte RAL 9004)  
 Aluminium laqué vert olive (reference couleur "Polyuréthane vert olive P008")

### Finition du plateau:

Bois aspect chêne européen  
 Bois aspect noyer  
 Bois aspect chêne teinté noir

### Notes:

Attention: les dimensions et les finitions marquées par un point d'exclamation (!) ont des délais de production plus longs (environ 6 semaines à partir de la date de la commande).

Les tables qui une fois allongées font plus de 250 cm présentent une légère flexion du plateau qui respecte les standards de qualité acceptés.

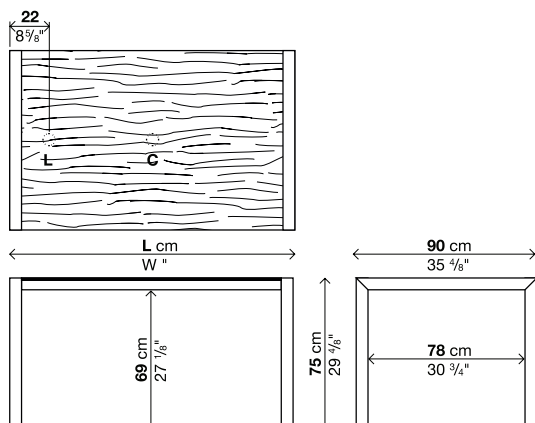
Les tables longueur 269 et 289 cm présentent au centre une traverse sous-plateau de support, conséquence: les ouvertures passe-câbles ne pourront pas être centrées exactement par rapport à la profondeur de la table mais il faudra donc les déplacer légèrement.

Emballages renforcés, voir intérieur de la couverture.

Code	Longueur	Pieds	Plateau	colis	m <sup>3</sup>	Kg
			Bois			
<b>01SUS64F</b>	200		Aluminium	1	0,46	57
			Laqué			
<b>01SUS35F</b>	220 (!)		Aluminium	1	0,5	62
			Laqué			
<b>01SUS68F</b>	240 (!)		Aluminium	1	0,55	66
			Laqué			
<b>01SUS70F</b>	260 (!)		Aluminium	1	0,59	71
			Laqué			
<b>01SUS72F</b>	280 (!)		Aluminium	1	0,63	79
			Laqué			
<b>01SUS74F</b>	300 (!)		Aluminium	1	0,67	85
			Laqué			

### Optionals

Code	Description	colis	m <sup>3</sup>	Kg
<b>02GTA02</b>	Coupe des pieds sur mesure	-	-	-
<b>02FOR01</b>	Passe-câbles latérale ou central Ø6	-	-	-
<b>02RET02</b>	Câblage, matière plastique	1	0,07	1
<b>02VER01</b>	Vertèbre, méthacrylate opaline	1	0,007	1,5
<b>02CPU02</b>	Support CPU, méthacrylate opaline	1	0,14	5,5



# SUSHI BOIS

## Extensible - Profondeur 100 cm

### Finition piètement:

Aluminium anodisé  
 Aluminium laqué blanc (semblable à la teinte RAL 9016)  
 Aluminium laqué "Alucompact® gris sable" (semblable à la teinte RAL 9002)  
 Aluminium laqué "Alucompact® gris anthracite" (semblable à la teinte RAL 7015)  
 Aluminium laqué "Fenix-NTM® gris Londres" (semblable à la teinte RAL Design0805005)  
 Aluminium laqué noir (semblable à la teinte RAL 9004)  
 Aluminium laqué vert olive (reference couleur "Polyuréthane vert olive P008")

### Finition du plateau/rallonges:

Bois aspect chêne européen  
 Bois aspect noyer  
 Bois aspect chêne teinté noir

### Notes:

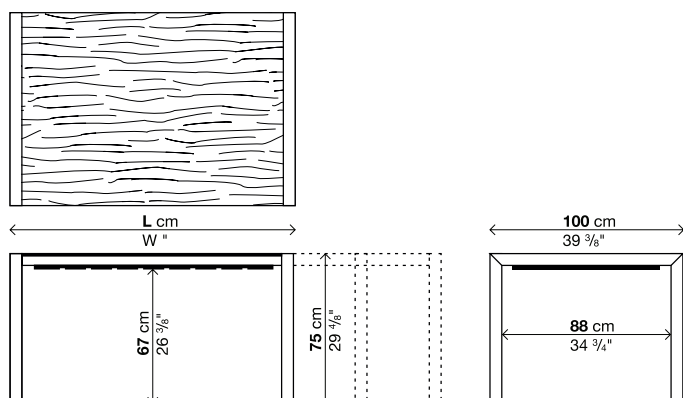
Les tables qui une fois allongées font plus de 250 cm présentent une légère flexion du plateau qui respecte les standards de qualité acceptés.

Emballages renforcés, voir intérieur de la couverture.

Code	Longueur	Pieds	Plateau	colis	m³	Kg
			Bois			
01SUS02	177-212-247-282 avec trois rallonges	Aluminium Laqué		4	0,53	91
01SUS36	200-235-270-305 avec trois rallonges	Aluminium Laqué		4	0,58	98
01SUS05	220-264-308 avec deux rallonges	Aluminium Laqué		3	0,62	98

### Optionals

Code	Description	colis	m³	Kg
02GTA02	Coupe des pieds sur mesure	-	-	-



# SUSHI BOIS

## Fixe - Profondeur 100 cm

### Finition piètement:

Aluminium anodisé  
 Aluminium laqué blanc (semblable à la teinte RAL 9016)  
 Aluminium laqué "Alucompact® gris sable" (semblable à la teinte RAL 9002)  
 Aluminium laqué "Alucompact® gris anthracite" (semblable à la teinte RAL 7015)  
 Aluminium laqué "Fenix-NTM® gris Londres" (semblable à la teinte RAL Design0805005)  
 Aluminium laqué noir (semblable à la teinte RAL 9004)  
 Aluminium laqué vert olive (reference couleur "Polyuréthane vert olive P008")

### Finition du plateau:

Bois aspect chêne européen  
 Bois aspect noyer  
 Bois aspect chêne teinté noir

### Notes:

Attention: les dimensions et les finitions marquées par un point d'exclamation (!) ont des délais de production plus longs (environ 6 semaines à partir de la date de la commande).

Les tables qui une fois allongées font plus de 250 cm présentent une légère flexion du plateau qui respecte les standards de qualité acceptés.

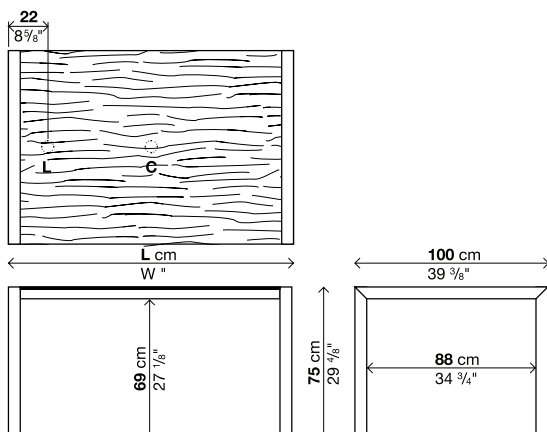
Les tables longueur 269 et 289 cm présentent au centre une traverse sous-plateau de support, conséquence: les ouvertures passe-câbles ne pourront pas être centrées exactement par rapport à la profondeur de la table mais il faudra donc les déplacer légèrement.

Emballages renforcés, voir intérieur de la couverture.

Code	Longueur	Pieds	Plateau	colis	m <sup>3</sup>	Kg
			Bois			
<b>01SUS08F</b>	200	Aluminium		1	0,5	62
		Laqué				
<b>01SUS05F</b>	220	Aluminium		1	0,55	67
		Laqué				
<b>01SUS09F</b>	240 (!)	Aluminium		1	0,6	72
		Laqué				
<b>01SUS80F</b>	260 (!)	Aluminium		1	0,65	77
		Laqué				
<b>01SUS82F</b>	280 (!)	Aluminium		1	0,69	85
		Laqué				
<b>01SUS36F</b>	300 (!)	Aluminium		1	0,74	90
		Laqué				

### Optionals

Code	Description	colis	m <sup>3</sup>	Kg
<b>02GTA02</b>	Coupe des pieds sur mesure	-	-	-
<b>02FOR01</b>	Passe-câbles latérale ou central Ø6	-	-	-
<b>02RET02</b>	Câblage, matière plastique	1	0,07	1
<b>02VER01</b>	Vertèbre, méthacrylate opaline	1	0,007	1,5
<b>02CPU03</b>	Support CPU, méthacrylate opaline	1	0,14	5,5



# SUSHI VERRE

## Extensible - Profondeur 80 cm

### Finition piètement:

Aluminium anodisé

Aluminium laqué blanc (semblable à la teinte RAL 9016)

Aluminium laqué noir (semblable à la teinte RAL 9004)

### Finition du plateau:

Verre brillant coloris: extra white, gris anthracite, noir, titane

Verre mat coloris: extra white, gris anthracite, noir, titane

### Finition des rallonges:

Laminé Alucompact® blanc

Laminé Alucompact® gris sable

Laminé Alucompact® gris anthracite

Laminé Alucompact® noir

### Notes:

Pour les modèles de table marqués d'un astérisque (\*), il est possible d'ajouter une troisième rallonge pour augmenter davantage l'extension.

Attention: les dimensions et les finitions marquées par un point d'exclamation (!) ont des délais de production plus longs (environ 6 semaines à partir de la date de la commande).

Les tables qui une fois allongées font plus de 250 cm présentent une légère flexion du plateau qui respecte les standards de qualité acceptés.

Emballages renforcés, voir intérieur de la couverture.

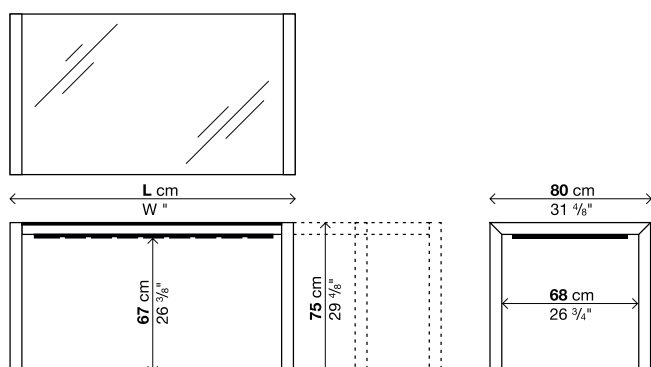
Code	Longueur	Pieds	Plateau		colis	m <sup>2</sup>	Kg
			Verre brillant	Verre mat			
01SUS11	125-165-205	Aluminium			3	0,32	64
		Laqué					
01SUS13*	150-190-230	Aluminium			3	0,37	72
		Laqué					
01SUS16*	177-217-257	Aluminium			3	0,42	79
		Laqué					

### (\* 3ème rallonge supplémentaire

Code	Longueur	Plateau	colis	m <sup>2</sup>	Kg
		Alucompact®			
50SUS5A	33 cm		1	0,03	6

### Optionals

Code	Description	colis	m <sup>2</sup>	Kg
02GTA02	Coupe des pieds sur mesure	-	-	-



# SUSHI VERRE

## Fixe - Profondeur 80 cm

### Finition piètement:

Aluminium anodisé

Aluminium laqué blanc (semblable à la teinte RAL 9016)

Aluminium laqué noir (semblable à la teinte RAL 9004)

### Finition du plateau:

Verre brillant coloris: extra white, gris anthracite, noir, titane

Verre mat coloris: extra white, gris anthracite, noir, titane

### Notes:

Attention: les dimensions et les finitions marquées par un point d'exclamation (!) ont des délais de production plus longs (environ 6 semaines à partir de la date de la commande).

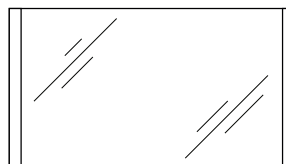
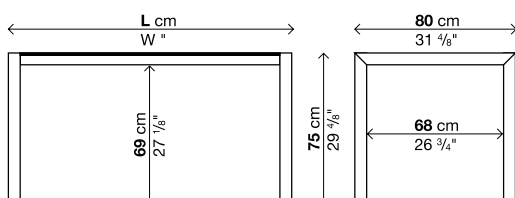
Les tables qui une fois allongées font plus de 250 cm présentent une légère flexion du plateau qui respecte les standards de qualité acceptés.

Emballages renforcés, voir intérieur de la couverture.

Code	Longueur	Pieds	Plateau		colis m <sup>3</sup> Kg
			Verre brillant	Verre mat	
<b>01SUS31F</b>	80	Aluminium			1 0,18 31
		Laqué			
<b>01SUS11F</b>	125	Aluminium			1 0,27 44
		Laqué			
<b>01SUS13F</b>	150	Aluminium			1 0,32 52
		Laqué			
<b>01SUS33F</b>	177	Aluminium			1 0,37 58
		Laqué			
<b>01SUS37F</b>	200	Aluminium			1 0,41 66
		Laqué			
<b>01SUS39F</b>	220 (!)	Aluminium			1 0,45 72
		Laqué			
<b>01SUS45F</b>	240 (!)	Aluminium			1 0,49 77
		Laqué			
<b>01SUS49F</b>	260 (!)	Aluminium			1 0,53 83
		Laqué			
<b>01SUS53F</b>	280 (!)	Aluminium			1 0,57 88
		Laqué			
<b>01SUS56F</b>	300 (!)	Aluminium			1 0,61 94
		Laqué			

### Optionals

Code	Description	colis m <sup>3</sup> Kg
<b>02GTA02</b>	Coupe des pieds sur mesure	- - -
<b>02RET01</b>	Câblage, matière plastique	1 0,07 1
<b>02VER01</b>	Vertèbre, méthacrylate opaline	1 0,007 1,5
<b>02CPU01</b>	Support CPU, méthacrylate opaline	1 0,14 5,5



# SUSHI VERRE

## Extensible - Profondeur 90 cm

### Finition piètement:

Aluminium anodisé

Aluminium laqué blanc (semblable à la teinte RAL 9016)

Aluminium laqué noir (semblable à la teinte RAL 9004)

### Finition du plateau:

Verre brillant coloris: extra white, gris anthracite, noir, titane

Verre mat coloris: extra white, gris anthracite, noir, titane

### Finition des rallonges:

Laminé Alucompact® blanc

Laminé Alucompact® gris sable

Laminé Alucompact® gris anthracite

Laminé Alucompact® noir

### Notes:

Pour les modèles de table marqués d'un astérisque (\*), il est possible d'ajouter une troisième rallonge pour augmenter davantage l'extension.

Attention: les dimensions et les finitions marquées par un point d'exclamation (!) ont des délais de production plus longs (environ 6 semaines à partir de la date de la commande).

Les tables qui une fois allongées font plus de 250 cm présentent une légère flexion du plateau qui respecte les standards de qualité acceptés.

Emballages renforcés, voir intérieur de la couverture.

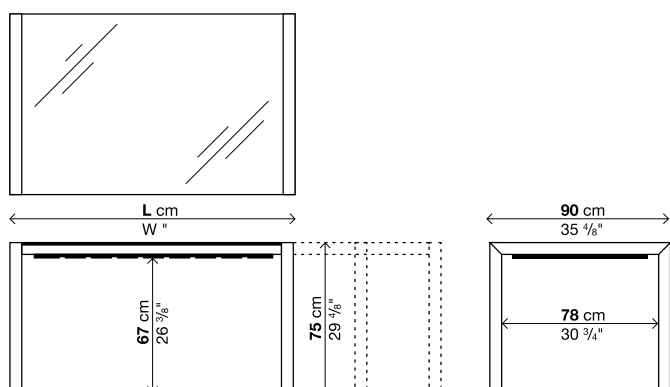
Code	Longueur	Pieds	Plateau		colis	m <sup>2</sup>	Kg
			Verre brillant	Verre mat			
<b>01SUS17*</b>	150-187-224	Aluminium			3	0,41	81
		Laqué					
<b>01SUS15</b>	177-214-251-288 3eme extension compris standard	Aluminium			4	0,5	96
		Laqué					
<b>01SUS18*</b>	200-237-274	Aluminium			3	0,51	98
		Laqué					
<b>01SUS52*</b>	220-257-294	Aluminium			3	0,55	105
		Laqué					

### (\* 3ème rallonge supplémentaire

Code	Longueur	Plateau		colis	m <sup>2</sup>	Kg
		Alucompact®				
<b>50SUS2A</b>	37,5 cm			1	0,03	6,5

### Optionals

Code	Description	colis	m <sup>2</sup>	Kg
<b>02GTA02</b>	Coupe des pieds sur mesure	-	-	-



# SUSHI VERRE

## Fixe - Profondeur 90 cm

### Finition piètement:

Aluminium anodisé

Aluminium laqué blanc (semblable à la teinte RAL 9016)

Aluminium laqué noir (semblable à la teinte RAL 9004)

### Finition du plateau:

Verre brillant coloris: extra white, gris anthracite, noir, titane

Verre mat coloris: extra white, gris anthracite, noir, titane

### Notes:

Attention: les dimensions et les finitions marquées par un point d'exclamation (!) ont des délais de production plus longs (environ 6 semaines à partir de la date de la commande).

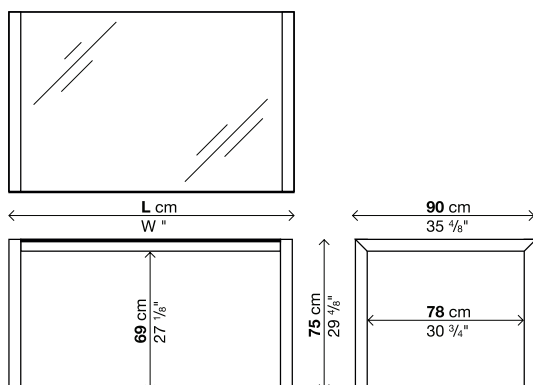
Les tables qui une fois allongées font plus de 250 cm présentent une légère flexion du plateau qui respecte les standards de qualité acceptés.

Emballages renforcés, voir intérieur de la couverture.

Code	Longueur	Pieds	Plateau		colis	m <sup>3</sup>	Kg
			Verre brillant	Verre mat			
<b>01SUS58F</b>	90	Aluminium			1	0,23	37
		Laqué					
<b>01SUS63F</b>	125	Aluminium			1	0,3	51
		Laqué					
<b>01SUS17F</b>	150	Aluminium			1	0,36	58
		Laqué					
<b>01SUS15F</b>	177	Aluminium			1	0,42	67
		Laqué					
<b>01SUS67F</b>	200	Aluminium			1	0,46	74
		Laqué					
<b>01SUS52F</b>	220 (!)	Aluminium			1	0,5	80
		Laqué					
<b>01SUS69F</b>	240 (!)	Aluminium			1	0,55	86
		Laqué					
<b>01SUS71F</b>	260 (!)	Aluminium			1	0,59	92
		Laqué					
<b>01SUS73F</b>	280 (!)	Aluminium			1	0,63	103
		Laqué					
<b>01SUS75F</b>	300 (!)	Aluminium			1	0,67	109
		Laqué					

### Optionals

Code	Description	colis	m <sup>3</sup>	Kg
<b>02GTA02</b>	Coupe des pieds sur mesure	-	-	-
<b>02RET02</b>	Câblage, matière plastique	1	0,07	1
<b>02VER01</b>	Vertèbre, méthacrylate opaline	1	0,007	1,5
<b>02CPU02</b>	Support CPU, méthacrylate opaline	1	0,14	5,5





# SUSHI VERRE

## Extensible - Profondeur 100 cm

### Finition piètement:

Aluminium anodisé

Aluminium laqué blanc (semblable à la teinte RAL 9016)

Aluminium laqué noir (semblable à la teinte RAL 9004)

### Finition du plateau:

Verre brillant coloris: extra white, gris anthracite, noir, titane

Verre mat coloris: extra white, gris anthracite, noir, titane

### Finition des rallonges:

Laminé Alucompact® blanc

Laminé Alucompact® gris sable

Laminé Alucompact® gris anthracite

Laminé Alucompact® noir

### Notes:

Pour les modèles de table marqués d'un astérisque (\*), il est possible d'ajouter une troisième rallonge pour augmenter davantage l'extension.

Attention: les dimensions et les finitions marquées par un point d'exclamation (!) ont des délais de production plus longs (environ 6 semaines à partir de la date de la commande).

Les tables qui une fois allongées font plus de 250 cm présentent une légère flexion du plateau qui respecte les standards de qualité acceptés.

Emballages renforcés, voir intérieur de la couverture.

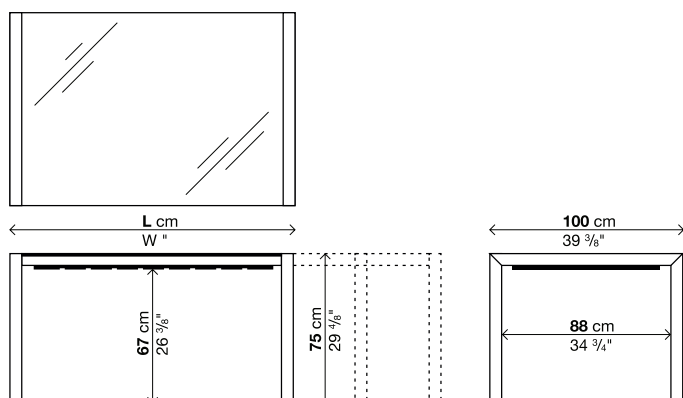
Code	Longueur	Pieds	Plateau		colis	m <sup>2</sup>	Kg
			Verre brillant	Verre mat			
<b>01SUS14</b>	100-170	Aluminium			3	0,33	63
		Laqué					
<b>01SUS12*</b>	177-224-271	Aluminium			3	0,52	101
		Laqué					
<b>01SUS20*</b>	200-247-294	Aluminium			3	0,57	108
		Laqué					
<b>01SUS19*</b>	220-267-314	Aluminium			3	0,62	118
		Laqué					

### (\* 3ème rallonge supplémentaire

Code	Longueur	Plateau		colis	m <sup>2</sup>	Kg
		Alucompact®				
<b>50SUS6A</b>	33 cm			1	0,03	6

### Optionals

Code	Description	colis	m <sup>2</sup>	Kg
<b>02GTA02</b>	Coupe des pieds sur mesure	-	-	-



# SUSHI VERRE

## Fixe - Profondeur 100 cm

### Finition piètement:

Aluminium anodisé

Aluminium laqué blanc (semblable à la teinte RAL 9016)

Aluminium laqué noir (semblable à la teinte RAL 9004)

### Finition du plateau:

Verre brillant coloris: extra white, gris anthracite, noir, titane

Verre mat coloris: extra white, gris anthracite, noir, titane

### Notes:

Attention: les dimensions et les finitions marquées par un point d'exclamation (!) ont des délais de production plus longs (environ 6 semaines à partir de la date de la commande).

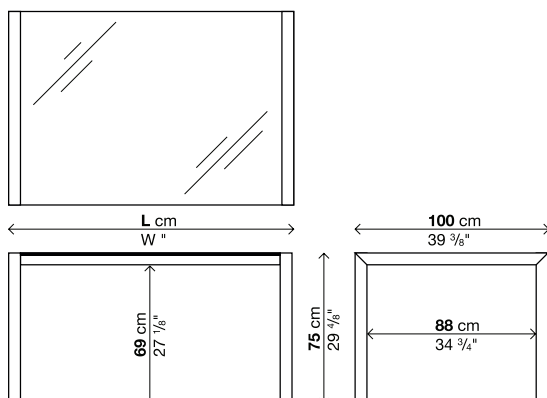
Les tables qui une fois allongées font plus de 250 cm présentent une légère flexion du plateau qui respecte les standards de qualité acceptés.

Emballages renforcés, voir intérieur de la couverture.

Code	Longueur	Pieds	Plateau		colis m <sup>3</sup> Kg
			Verre brillant	Verre mat	
<b>01SUS14F</b>	100	Aluminium			1 0,27 45
		Laqué			
<b>01SUS79F</b>	150	Aluminium			1 0,39 63
		Laqué			
<b>01SUS12F</b>	177	Aluminium			1 0,45 72
		Laqué			
<b>01SUS16F</b>	200	Aluminium			1 0,5 80
		Laqué			
<b>01SUS19F</b>	220	Aluminium			1 0,55 87
		Laqué			
<b>01SUS50F</b>	240 (!)	Aluminium			1 0,6 93
		Laqué			
<b>01SUS81F</b>	260 (!)	Aluminium			1 0,65 100
		Laqué			
<b>01SUS83F</b>	280 (!)	Aluminium			1 0,69 110
		Laqué			
<b>01SUS54F</b>	300 (!)	Aluminium			1 0,74 118
		Laqué			

### Optionals

Code	Description	colis m <sup>3</sup> Kg
<b>02GTA02</b>	Coupe des pieds sur mesure	- - -
<b>02RET03</b>	Câblage, matière plastique	1 0,07 1
<b>02VER01</b>	Vertèbre, méthacrylate opaline	1 0,007 1,5
<b>02CPU03</b>	Support CPU, méthacrylate opaline	1 0,14 5,5



# SUSHI VERRE

## Fixe - Profondeur 124 cm

### Finition piètement:

Aluminium anodisé

Aluminium laqué blanc (semblable à la teinte RAL 9016)

Aluminium laqué noir (semblable à la teinte RAL 9004)

### Finition du plateau:

Verre brillant coloris: extra white, gris anthracite, noir, titane

Verre mat coloris: extra white, gris anthracite, noir, titane

### Notes:

Attention: les dimensions et les finitions marquées par un point d'exclamation (!) ont des délais de production plus longs (environ 6 semaines à partir de la date de la commande).

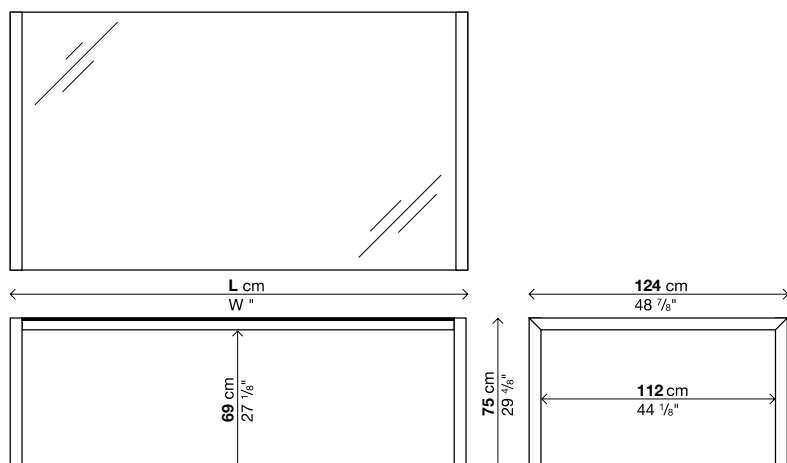
Les tables qui une fois allongées font plus de 250 cm présentent une légère flexion du plateau qui respecte les standards de qualité acceptés.

Emballages renforcés, voir intérieur de la couverture.

Code	Longueur	Pieds	Plateau		colis	m <sup>3</sup>	Kg
			Verre brillant	Verre mat			
01SUS89F	220 (!)	Aluminium			1	0,66	109
		Laqué					
01SUS91F	240 (!)	Aluminium			1	0,72	118
		Laqué					
01SUS93F	288 (!)	Aluminium			1	0,85	140
		Laqué					

### Optionals

Code	Description	colis	m <sup>3</sup>	Kg
02GTA02	Coupe des pieds sur mesure	-	-	-
02RET04	Câblage, matière plastique	1	0,07	1
02VER01	Vertèbre, méthacrylate opaline	1	0,007	1,5
02CPU04	Support CPU, méthacrylate opaline	1	0,14	5,5



# SUSHI VERRE

## Fixe - Profondeur 140 cm

### Finition piètement:

Aluminium anodisé

Aluminium laqué blanc (semblable à la teinte RAL 9016)

Aluminium laqué noir (semblable à la teinte RAL 9004)

### Finition du plateau:

Verre brillant coloris: extra white, gris anthracite, noir, titane

Verre mat coloris: extra white, gris anthracite, noir, titane

### Notes:

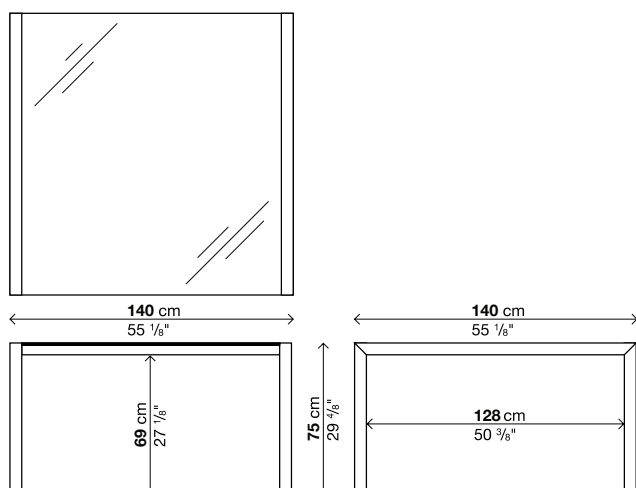
Attention: les dimensions et les finitions marquées par un point d'exclamation (!) ont des délais de production plus longs (environ 6 semaines à partir de la date de la commande).

Emballages renforcés, voir intérieur de la couverture.

Code	Longueur	Pieds	Plateau		colis	m <sup>3</sup>	Kg
			Verre brillant	Verre mat			
<b>01SUS18F</b>	140 (!)	Aluminium			1	0,52	73
		Laqué					

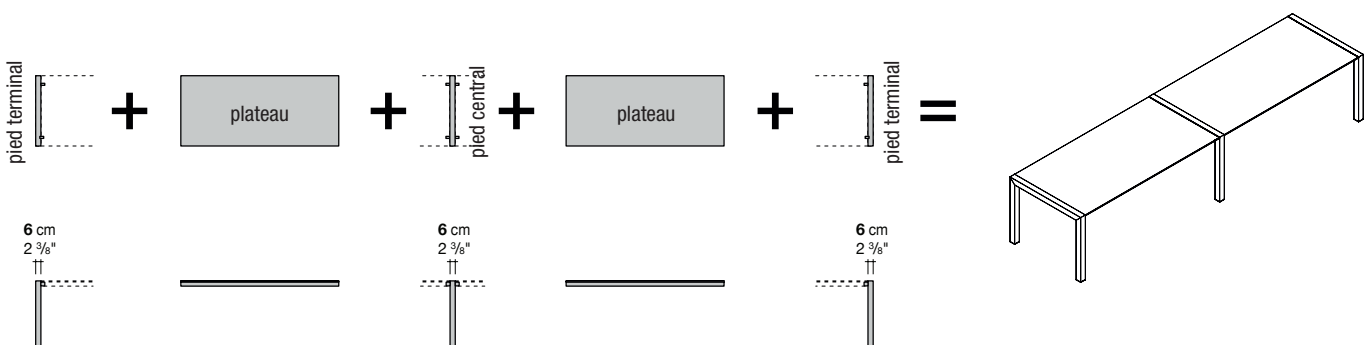
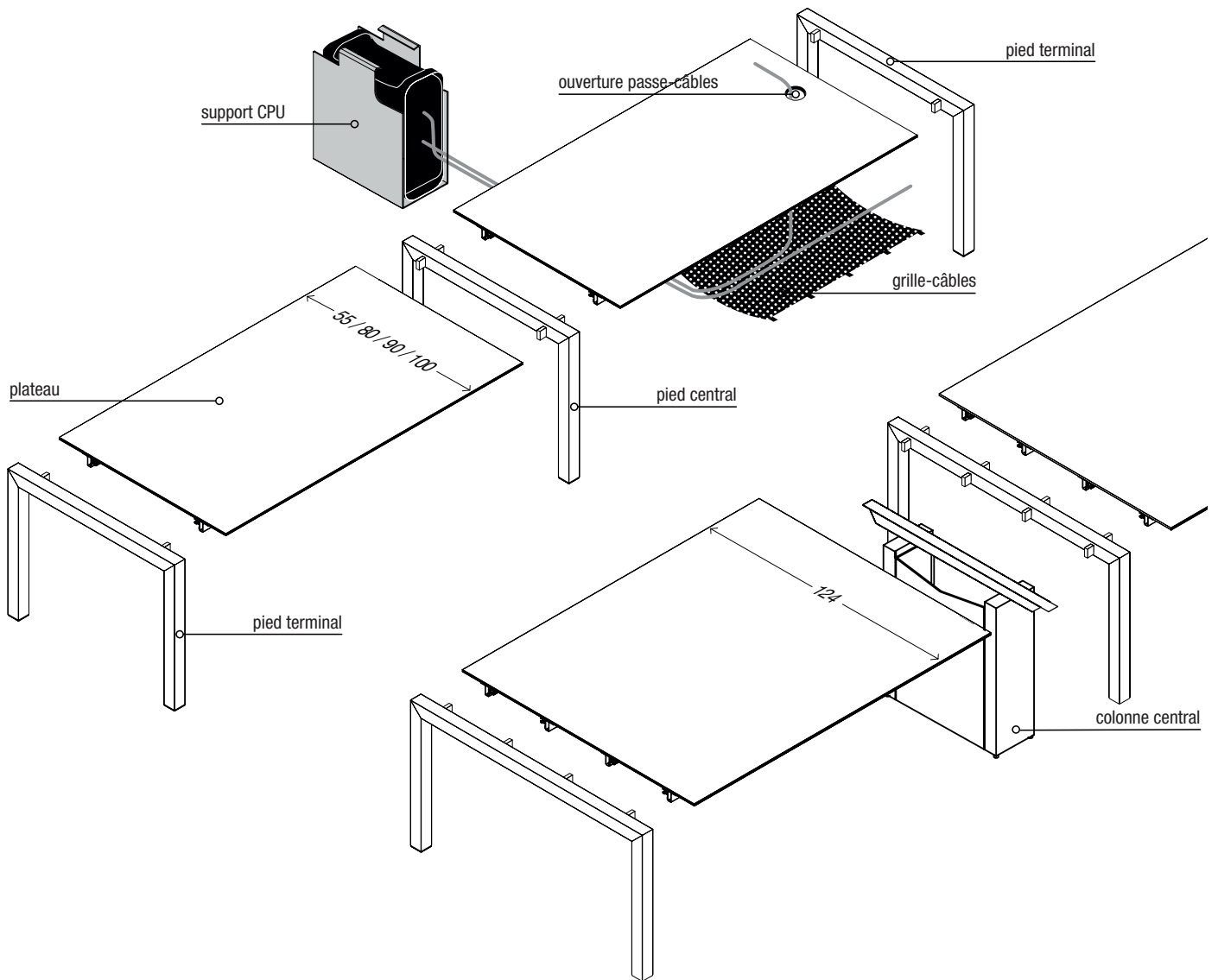
### Optionals

Code	Description	colis	m <sup>3</sup>	Kg
<b>02GTA02</b>	Coupe des pieds sur mesure	-	-	-
<b>02VER01</b>	Vertèbre, méthacrylate opaline	1	0,007	1,5



# SUSHI COMPOSABLE

## Dessin d'assemblage



# SUSHI COMPOSABLE

## Plateau en Alucompact® - Table, Table meeting

### Finition du plateau:

Laminé Alucompact® blanc  
Laminé Alucompact® gris sable  
Laminé Alucompact® gris anthracite  
Laminé Alucompact® noir

### Notes:

Sur demande (pour quantité) il est possible de réaliser des plateaux en différents matériaux comme: stratifié Pure-white, Fenix-NTM®, verre.

Attention: les dimensions et les finitions marquées par un point d'exclamation (!) ont des délais de production plus longs (environ 6 semaines à partir de la date de la commande).

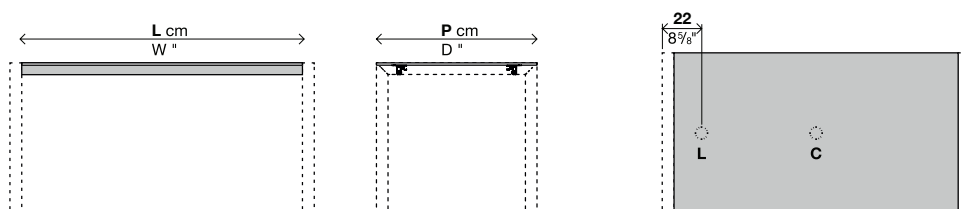
Les tables qui une fois allongées font plus de 250 cm présentent une légère flexion du plateau qui respecte les standards de qualité acceptés.

Emballages renforcés, voir intérieur de la couverture.

Code	Dimensions	Plateau	colis	m <sup>3</sup>	Kg
		Alucompact®			
01SUS00	113 x 55 (!)		1	0,2	18
01SUS01	135 x 55 (!)		1	0,24	24
01SUS02	204 x 55 (!)		1	0,33	35
01SUS03	113 x 80		1	0,27	27
01SUS04	138 x 80		1	0,32	32
01SUS15	165 x 80 (!)		1	0,37	37
01SUS05	138 x 90		1	0,36	38
01SUS06	165 x 90		1	0,42	42
01SUS64	188 x 90 (!)		1	0,46	47
01SUS16	208 x 90 (!)		1	0,5	52
01SUS68	228 x 90 (!)		1	0,55	56
01SUS70	248 x 90 (!)		1	0,59	61
01SUS72	268 x 90 (!)		1	0,63	69
01SUS74	288 x 90 (!)		1	0,67	75
01SUS07	88 x 100		1	0,27	26
01SUS08	165 x 100		1	0,45	52
01SUS13	188 x 100 (!)		1	0,5	51
01SUS09	208 x 100 (!)		1	0,55	56
01SUS14	228 x 100 (!)		1	0,6	61
01SUS80	248 x 100 (!)		1	0,65	68
01SUS82	268 x 100 (!)		1	0,69	75
01SUS36	288 x 100 (!)		1	0,74	80
01SUS88	208 x 124 (!)		1	0,66	75
01SUS90	228 x 124 (!)		1	0,72	81
01SUS12	276 x 124 (!)		1	0,85	97

### Optionals

Code	Description	colis	m <sup>3</sup>	Kg
02FOR01	Passe-câbles latérale ou central Ø6 cm	-	-	-



# SUSHI COMPOSABLE

## Plateau en Alucompact® - Retour latérale

### Finition du plateau:

Laminé Alucompact® blanc

Laminé Alucompact® gris sable

Laminé Alucompact® gris anthracite

Laminé Alucompact® noir

### Notes:

Sur demande (pour quantité) il est possible de réaliser des plateaux en différents matériaux comme: stratifié Pure-white, Fenix-NTM®, verre.

Attention: les dimensions et les finitions marquées par un point d'exclamation (!) ont des délais de production plus longs (environ 6 semaines à partir de la date de la commande).

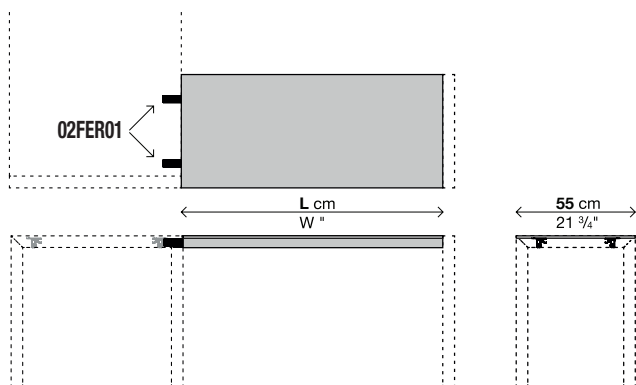
Les tables qui une fois allongées font plus de 250 cm présentent une légère flexion du plateau qui respecte les standards de qualité acceptés.

Emballages renforcés, voir intérieur de la couverture.

Code	Dimensions	Plateau	colis m <sup>3</sup> Kg	
		Alucompact®		
<b>02SUS00</b>	113 x 55 (!)		1	0,2 18
<b>02SUS01</b>	135 x 55 (!)		1	0,24 24
<b>02SUS02</b>	204 x 55 (!)		1	0,33 35

### Optionals

Code	Description	colis m <sup>3</sup> Kg	
<b>02FER01</b>	Ferrure plateau de retour	-	- 1,5



# SUSHI COMPOSABLE

## Pied terminal / Pied central / Colonne centrale

### Finition pieds:

Aluminium anodisé

Aluminium laqué blanc (semblable à la teinte RAL 9016)

Aluminium laqué "Alucompact® gris sable" (semblable à la teinte RAL 9002)

Aluminium laqué "Alucompact® gris anthracite" (semblable à la teinte RAL 7015)

Aluminium laqué noir (semblable à la teinte RAL 9004)

### Finition colonne:

Acier laqué gris aluminium (semblable à la teinte RAL 7042)

Acier laqué blanc (semblable à la teinte RAL 9016)

Acier laqué "Alucompact® gris sable" (semblable à la teinte RAL 9002)

Acier laqué "Alucompact® gris anthracite" (semblable à la teinte RAL 7015)

Acier laqué noir (semblable à la teinte RAL 9004)

### Pied terminal

Code	Profondeur	Finitions		colis	m <sup>3</sup>	Kg
		Aluminium anodisé	Aluminium laqué			
<b>02CAV01</b>	55			1	0,22	10
<b>02CAV02</b>	80			1	0,22	10,2
<b>02CAV03</b>	90			1	0,22	10,3
<b>02CAV04</b>	100			1	0,22	10,5
<b>02CAV01A</b>	124			1	0,26	11

### Pied central

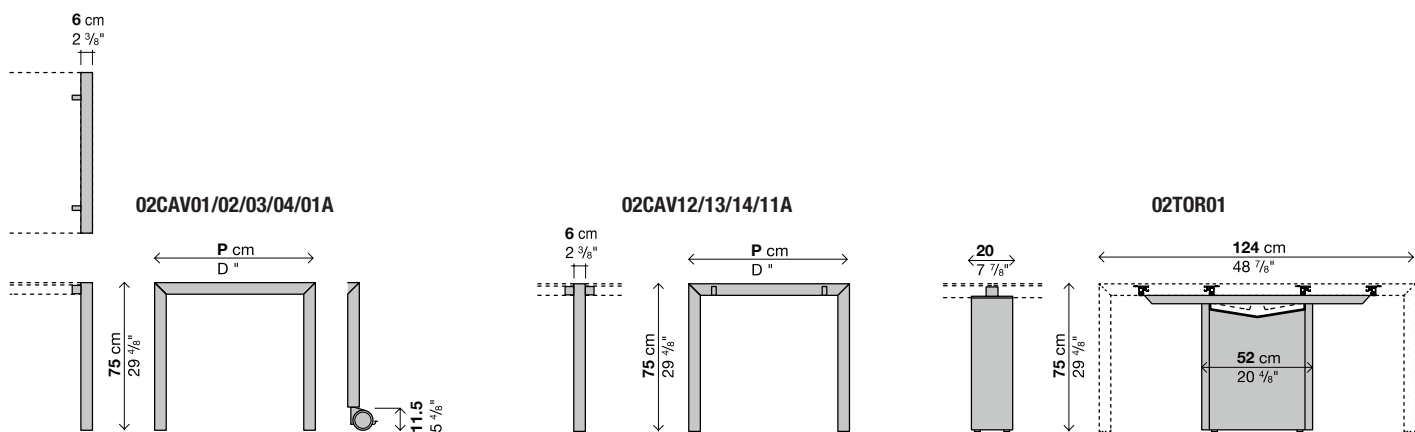
Code	Profondeur	Finitions		colis	m <sup>3</sup>	Kg
		Aluminium anodisé	Aluminium laqué			
<b>02CAV12</b>	80			1	0,22	10,5
<b>02CAV13</b>	90			1	0,22	10,6
<b>02CAV14</b>	100			1	0,22	10,7
<b>02CAV11A</b>	124			1	0,26	12

### Colonne centrale

Code	Profondeur	Finitions		colis	m <sup>3</sup>	Kg
		Acier laqué				
<b>02TOR01</b>	124			1	0,14	19,5

### Optionals

Code	Description	colis	m <sup>3</sup>	Kg
<b>02GTA01</b>	Coupe pieds sur mesure	-	-	-
<b>02CRU01</b>	Jeu de deux roulettes avec frein	-	-	1





# SUSHI COMPOSABLE

## Support CPU / Grille-câbles / Collier serre-câbles

### Finition support CPU:

Méthacrylate opale

### Finition câblage:

Plastique ignifuge

### Finition vertèbre:

Méthacrylate opale

### Support CPU

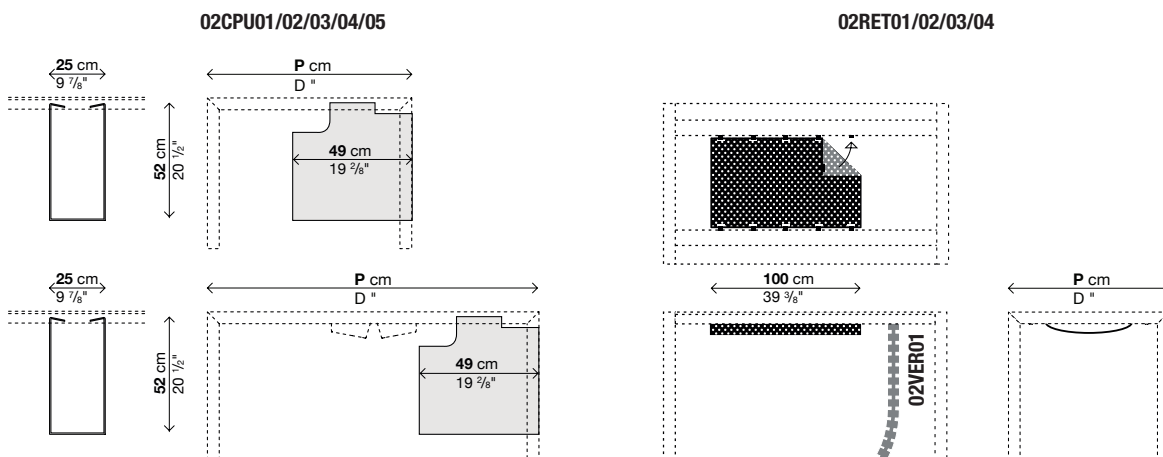
Code	Profondeur	Finitions	
		colis	m <sup>3</sup> Kg
		Méthacrylate opale	
<b>02CPU01</b>	80	1	0,14 5,5
<b>02CPU02</b>	90	1	0,14 5,5
<b>02CPU03</b>	100	1	0,14 5,5
<b>02CPU04</b>	124	1	0,14 5,5
<b>02CPU05</b>	160	1	0,14 5,5

### Grille-câbles

Code	Profondeur	Finitions	
		colis	m <sup>3</sup> Kg
		Plastique ignifuge	
<b>02RET01</b>	80	1	0,07 1
<b>02RET02</b>	90	1	0,07 1
<b>02RET03</b>	100	1	0,07 1
<b>02RET04</b>	124	1	0,07 1

### Vertèbre

Code	Finitions	
	colis	m <sup>3</sup> Kg
	Méthacrylate opale	
<b>02VER01</b>	1	0,01 1,5



# SUSHI

## Dimensiones

### Prof. 80 cm Depth 314/8"

80	80 cm 314/8"	→ Alucompact® → Pure-white → Cristal
	125 cm 492/8"	→ Alucompact® → Pure-white → Cristal
	125/165/205 cm 492/8/65/803/4"	→ Alucompact® → Pure-white → Cristal
	150 cm 59"	→ Alucompact® → Pure-white → Cristal
	150/190/230 cm 59/747/8/904/8"	→ Alucompact® → Pure-white → Cristal
	177 cm 693/4"	→ Alucompact® → Pure-white → Cristal
	177/217/257 cm 693/4/854/8/1012/8"	→ Alucompact® → Pure-white → Cristal
	200 cm 783/4"	→ Alucompact® → Pure-white → Cristal
	220 cm 865/8"	→ Alucompact® → Pure-white → Cristal
	240 cm 944/8"	→ Alucompact® → Pure-white → Cristal
	260 cm 1023/8"	→ Alucompact® → Pure-white → Cristal
	280 cm 1102/8"	→ Alucompact® → Pure-white → Cristal
	300 cm 1181/8"	→ Alucompact® → Pure-white → Cristal

### Prof. 90 cm Depth 353/8"

90	90 cm 353/8"	→ Alucompact® → Pure-white → Cristal
	125 cm 492/8"	→ Alucompact® → Pure-white → Cristal
	150 cm 59"	→ Alucompact® → Pure-white → Fenix-NTM® → Cristal → DEKTON®
	150/187/224 cm 59/735/8/882/8"	→ Alucompact® → Pure-white → Fenix-NTM® → Cristal
	150/187/224 cm 59/735/8/882/8"	→ DEKTON®
	177 cm 693/4"	→ Alucompact® → Pure-white → Fenix-NTM® → Cristal → DEKTON®
	177/212/247/282 cm 695/8/834/8/972/8/111"	→ Madera
	177/214/251/288 cm 693/4/842/8/987/8/1133/8"	→ Alucompact® → Pure-white → Fenix-NTM® → Cristal
	177/214/251 cm 693/4/842/8/987/8"	→ DEKTON®
	200 cm 786/4"	→ Alucompact® → Pure-white → Fenix-NTM® → Cristal → DEKTON® → Madera
	200/235/270/305 cm 786/8/924/8/1062/8/1201/8"	→ Madera
	200/237/274 cm 786/4/931/4/1077/8"	→ Alucompact® → Pure-white → Fenix-NTM® → Cristal
	200/237/274 cm 786/4/931/4/1077/8"	→ DEKTON®
	220 cm 865/8"	→ Alucompact® → Pure-white → Fenix-NTM® → Cristal → Madera
	220/257/294 cm 865/8/1012/8/1161/8"	→ Alucompact® → Pure-white → Fenix-NTM® → Cristal
	220/264/308 cm 865/8/1037/8/1212/8"	→ Madera
	240 cm 944/8"	→ Alucompact® → Pure-white → Cristal → Madera
	260 cm 1023/8"	→ Alucompact® → Pure-white → Cristal → Madera

90	280 cm 1102/8"	→ Alucompact® → Pure-white → Cristal → Madera
	300 cm 1181/8"	→ Alucompact® → Pure-white → Cristal → Madera
100	100 cm 393/8"	→ Alucompact® → Pure-white → Cristal
	100/170 cm 393/8/67"	→ Alucompact® → Pure-white → Cristal
	150 cm 59"	→ Alucompact® → Pure-white → Cristal
	177 cm 693/4"	→ Alucompact® → Pure-white → Fenix-NTM® → Cristal → DEKTON®
	177/224/271 cm 693/4/885/8/1063/4"	→ Alucompact® → Pure-white → Fenix-NTM® → Cristal
	177/214/251 cm 693/4/842/8/987/8"	→ DEKTON®
	177/212/247/282 cm 693/4/834/8/972/8/111"	→ Madera
	200 cm 783/4"	→ Alucompact® → Pure-white → Fenix-NTM® → Cristal → DEKTON® → Madera
	200/247/294 cm 783/4/972/8/1153/4"	→ Alucompact® → Pure-white → Fenix-NTM® → Cristal
	200/237/274 cm 783/4/931/4/1077/8"	→ DEKTON®
	200/235/270/305 cm 783/4/924/8/1062/8/1201/8"	→ Madera
	220 cm 865/8"	→ Alucompact® → Pure-white → Fenix-NTM® → Cristal → Madera
	220/267/314 cm 865/8/1051/8/1233/4"	→ Alucompact® → Pure-white → Fenix-NTM® → Cristal
	220/264/308 cm 865/8/1037/8/1212/8"	→ Madera

\* = 3" prolongación adicional (bajo petición)

# Sobres

100

240 cm  
94 4/8"

- Alucompact®
- Pure-white
- Cristal
- DEKTON®
- Madera

260 cm  
102 3/8"

- Alucompact®
- Pure-white
- Cristal
- Madera

280 cm  
110 2/8"

- Alucompact®
- Pure-white
- Cristal
- DEKTON®
- Madera

300 cm  
118 1/8"

- Alucompact®
- Pure-white
- Cristal
- Madera

## Prof. 124 cm Depth 48 7/8"

124

220 cm  
86 5/8"

- Alucompact®
- Pure-white
- Cristal

240 cm  
94 4/8"

- Alucompact®
- Pure-white
- Cristal

288 cm  
113 3/8"

- Alucompact®
- Pure-white
- Cristal

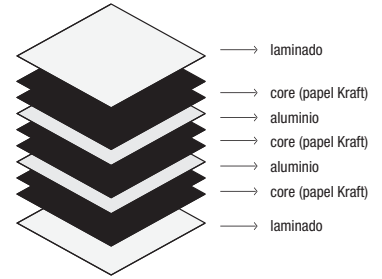
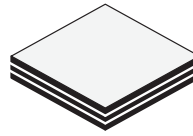
## Prof. 140 cm Depth 55 1/8"

140

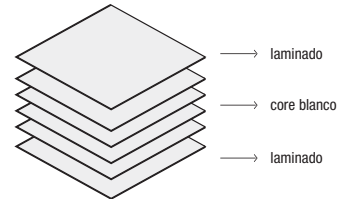
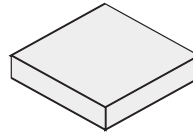
140 cm  
55 1/8"

- Cristal

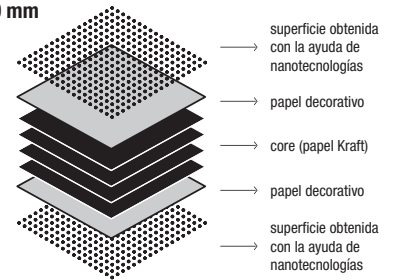
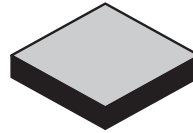
## Alucompact® Esp. 10 mm



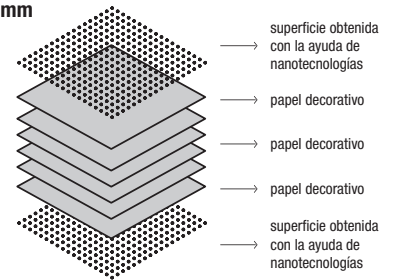
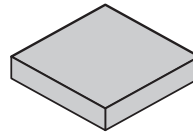
## Pure-white Esp. 10 mm



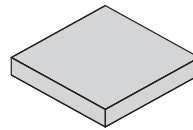
## Fenix-NTM® borde negro Esp. 10 mm



## Fenix-NTM® borde color Esp. 10 mm

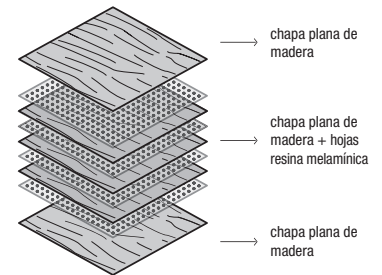
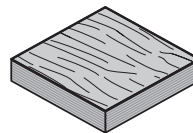


## DEKTON® by Cosentino Esp. 8 mm

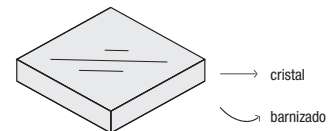
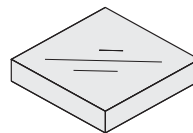


Dekton es una sofisticada mezcla de materias primas utilizadas para la creación de cristal, cerámica de última generación y superficies de cuarzo de altísima calidad

## Madera Esp. 10 mm



## Cristal Esp. 10 mm



# SUSHI ALUcompact® / PURE-WHITE

## Extensible - Profundidad 80 cm

### Acabado patas:

Aluminio anodizado

Aluminio barnizado blanco (parecido al RAL 9016)

Aluminio barnizado "Alucompact® gris arena" (parecido al RAL 9002)

Aluminio barnizado "Alucompact® gris antracita" (parecido al RAL 7015)

Aluminio barnizado negro (parecido al RAL 9004)

### Acabado sobre/prolongaciones:

Laminado Alucompact® (blanco, gris arena, gris antracita, negro)

---

Laminado Pure-white blanco

### Notas:

En las mesas con códigos marcados con un asterisco (\*) existe la posibilidad de añadir la tercera prolongación para alargarlas todavía más.

Atención: las medidas o los acabados marcados con (!) tienen los tiempos de producción más largos, de aproximadamente 6 semanas desde la fecha del pedido.

Las mesas que superan los 250 cm extendidas presentan una ligera flexión del sobre que respeta los estándares de calidad aceptados.

Embalajes reforzados, ver lado interno de la portada.

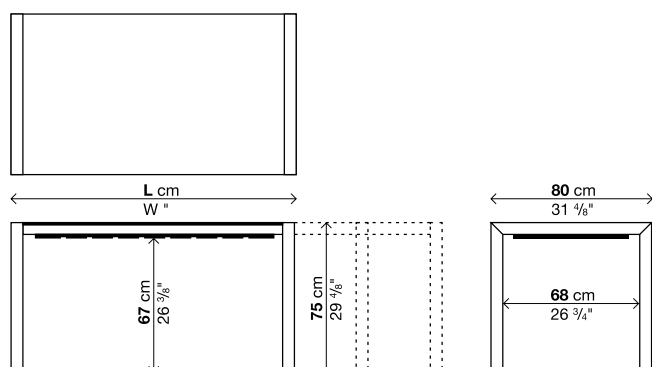
Código	Longitud	Patas	Sobre		pack	m <sup>2</sup>	Kg
			Alucompact®	Pure-white (!)			
01SUS01	125-165-205	Aluminium			3	0,32	55
		Barnizado					
01SUS03*	150-190-230	Aluminium			3	0,37	61
		Barnizado					
01SUS08*	177-217-257	Aluminium			3	0,42	67
		Barnizado					

### (\*) 3ª prolongación adicional

Código	Longitud	Sobre		pack	m <sup>2</sup>	Kg
		Alucompact®	Pure-white			
50SUS5A	33 cm			1	0,03	6

### Opcionales

Código	Descripción	pack	m <sup>2</sup>	Kg
02GTA02	Corte pata a medida	-	-	-



# SUSHI ALUcompact® / PURE-WHITE

## Fija - Profundidad 80 cm

### Acabado patas:

Aluminio anodizado

Aluminio barnizado blanco (parecido al RAL 9016)

Aluminio barnizado "Alucompact® gris arena" (parecido al RAL 9002)

Aluminio barnizado "Alucompact® gris antracita" (parecido al RAL 7015)

Aluminio barnizado negro (parecido al RAL 9004)

### Acabado sobre:

Laminado Alucompact® (blanco, gris arena, gris antracita, negro)

---

Laminado Pure-white blanco

### Notas:

Atención: las medidas o los acabados marcados con (!) tienen los tiempos de producción más largos, de aproximadamente 6 semanas desde la fecha del pedido.

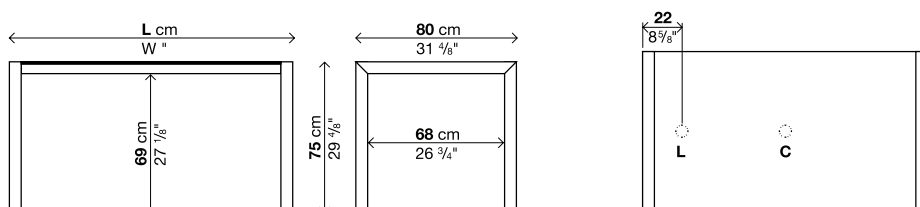
Las mesas que superan los 250 cm extendidas presentan una ligera flexión del sobre que respeta los estándares de calidad aceptados.

Embalajes reforzados, ver lado interno de la portada.

Código	Longitud	Patas	Sobre		pack	m³	Kg
			Alucompact®	Pure-white			
01SUS10F	80 (!)	Aluminium			1	0,18	26
		Barnizado					
01SUS01F	125 (!)	Aluminium			1	0,27	35
		Barnizado					
01SUS03F	150 (!)	Aluminium			1	0,32	41
		Barnizado					
01SUS32F	177 (!)	Aluminium			1	0,37	47
		Barnizado					
01SUS34F	200 (!)	Aluminium			1	0,41	52
		Barnizado					
01SUS38F	220 (!)	Aluminium			1	0,45	56
		Barnizado					
01SUS43F	240 (!)	Aluminium			1	0,49	60
		Barnizado					
01SUS48F	260 (!)	Aluminium			1	0,53	65
		Barnizado					
01NOR51F	280 (!)	Aluminium			1	0,57	68
		Barnizado					
01NOR55F	300 (!)	Aluminium			1	0,61	72
		Barnizado					

### Opcionales

Código	Descripción	pack	m³	Kg
02GTA02	Corte pata a medida	-	-	-
02FOR01	Orificio guiacables lateral o central Ø6	-	-	-
02RET01	Red de cable de plástico	1	0,07	1
02VER01	Vértebra, metacrilato opalino	1	0,007	1,5
02CPU01	Porta CPU, metacrilato opalino	1	0,14	5,5



# SUSHI ALUCompact® / PURE-WHITE / FENIX-NTM®

## Extensible - Profundidad 90 cm

### Acabado patas:

Aluminio anodizado  
 Aluminio barnizado blanco (parecido al RAL 9016)  
 Aluminio barnizado "Alucompact® gris arena" (parecido al RAL 9002)  
 Aluminio barnizado "Alucompact® gris antracita" (parecido al RAL 7015)  
 Aluminio barnizado "Fenix-NTM® gris Londres" (parecido al RAL Design0805005)  
 Aluminio barnizado "Fenix-NTM® gris Bromo" (parecido al RAL 7012)  
 Aluminio barnizado negro (parecido al RAL 9004)  
 Aluminio barnizado verde oliva (para referencia color ver "Poliuretano verde oliva P008")

### Acabado sobre/prolongaciones:

Laminado Alucompact® (blanco, gris arena, gris antracita, negro)  
 ---  
 Laminado Pure-white blanco  
 ---  
 Fenix-NTM® borde negro (blanco Kos 0032, gris Londres 0718, gris Bromo 0724, negro Ingo 0720)  
 ---  
 Fenix-NTM® borde color (blanco Kos 0032, gris Londres 0718)

### Notas:

En las mesas con códigos marcados con un asterisco (\*) existe la posibilidad de añadir la tercera prolongación para alargarlas todavía más.

Atención: las medidas o los acabados marcados con (!) tienen los tiempos de producción más largos, de aproximadamente 6 semanas desde la fecha del pedido.

Las mesas que superan los 250 cm extendidas presentan una ligera flexión del sobre que respeta los estándares de calidad aceptados.

Embalajes reforzados, ver lado interno de la portada.

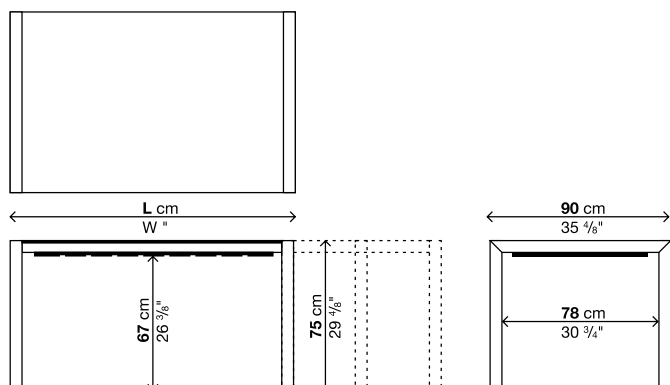
Código	Longitud	Patas	Sobre				pack	m <sup>2</sup>	Kg
			Alucompact®	Fenix-NTM® borde negro	Pure-white	Fenix-NTM® borde color			
01SUS07*	150-187-224	Aluminium					3	0,41	71
		Barnizado							
01SUS06	177-214-251-288 Tercera prolongación de serie	Aluminium					4	0,5	81
		Barnizado							
01SUS09*	200-237-274	Aluminium					3	0,51	82
		Barnizado							
01SUS35*	220-257-294	Aluminium					3	0,55	88
		Barnizado							

### (\*) 3ª prolongación adicional

Código	Longitud	Sobre				pack	m <sup>2</sup>	Kg
		Alucompact®	Fenix-NTM® borde negro	Pure-white	Fenix-NTM® borde color			
50SUS2A	37,5 cm					1	0,03	6,5

### Opcionales

Código	Descripción	pack	m <sup>2</sup>	Kg
02GTA02	Corte pata a medida	-	-	-



# SUSHI ALUcompact® / PURE-WHITE / FENIX-NTM®

## Fija - Profundidad 90 cm

### Acabado patas:

Aluminio anodizado  
 Aluminio barnizado blanco (parecido al RAL 9016)  
 Aluminio barnizado "Alucompact® gris arena" (parecido al RAL 9002)  
 Aluminio barnizado "Alucompact® gris antracita" (parecido al RAL 7015)  
 Aluminio barnizado "Fenix-NTM® gris Londres" (parecido al RAL Design0805005)  
 Aluminio barnizado "Fenix-NTM® gris Bromo" (parecido al RAL 7012)  
 Aluminio barnizado negro (parecido al RAL 9004)  
 Aluminio barnizado verde oliva (para referencia color ver "Poliuretano verde oliva P008")

### Acabado sobre:

Laminado Alucompact® (blanco, gris arena, gris antracita, negro)  
 Laminado Pure-white blanco  
 Fenix-NTM® borde negro (blanco Kos 0032, gris Londres 0718, gris Bromo 0724, negro Ingo 0720)  
 Fenix-NTM® borde color (blanco Kos 0032, gris Londres 0718)

### Notas:

Atención: las medidas o los acabados marcados con (!) tienen los tiempos de producción más largos, de aproximadamente 6 semanas desde la fecha del pedido.

Las mesas que superan los 250 cm extendidas presentan una ligera flexión del sobre que respeta los estándares de calidad aceptados.

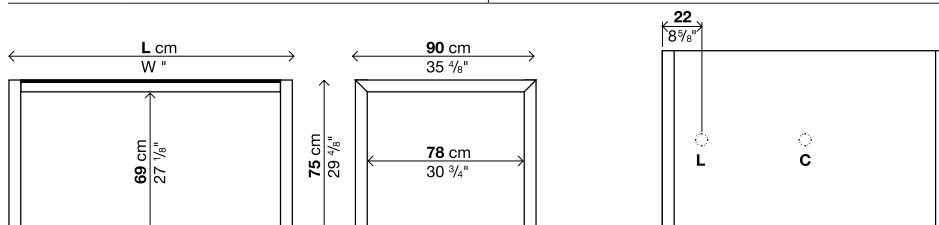
Las mesas de 280 y 300 cm de longitud presentan una barra de soporte central bajo el sobre, de manera que los posibles orificios pasacables no podrán colocarse centrados en la profundidad, sino ligeramente desplazados.

Embalajes reforzados, ver lado interno de la portada.

Código	Longitud	Patas	Sobre				pack	m³	Kg
			Alucompact®	Fenix-NTM® borde negro	Pure-white	Fenix-NTM® borde color			
01SUS57F	90	Aluminium		-		-	1	0,23	30
		Barnizado		-		-			
01SUS59F	125	Aluminium		-		-	1	0,3	41
		Barnizado		-		-			
01SUS07F	150	Aluminium					1	0,36	46
		Barnizado							
01SUS06F	177	Aluminium					1	0,42	52
		Barnizado							
01SUS64F	200	Aluminium					1	0,46	57
		Barnizado							
01SUS35F	220 (!)	Aluminium					1	0,5	62
		Barnizado							
01SUS68F	240 (!)	Aluminium		-		-	1	0,55	66
		Barnizado		-		-			
01SUS70F	260 (!)	Aluminium		-		-	1	0,59	71
		Barnizado		-		-			
01SUS72F	280 (!)	Aluminium		-		-	1	0,63	79
		Barnizado		-		-			
01SUS74F	300 (!)	Aluminium		-		-	1	0,67	85
		Barnizado		-		-			

### Opcionales

Código	Descripción	pack	m³	Kg
02GTA02	Corte pata a medida	-	-	-
02FOR01	Orificio guíacables lateral o central Ø6	-	-	-
02RET02	Red de cable de plástico	1	0,07	1
02VER01	Vértebra, metacrilato opalino	1	0,007	1,5
02CPU02	Porta CPU, metacrilato opalino	1	0,14	5,5



# SUSHI ALUcompact® / PURE-WHITE / FENIX-NTM®

## Extensible - Profundidad 100 cm

### Acabado patas:

Aluminio anodizado  
 Aluminio barnizado blanco (parecido al RAL 9016)  
 Aluminio barnizado "Alucompact® gris arena" (parecido al RAL 9002)  
 Aluminio barnizado "Alucompact® gris antracita" (parecido al RAL 7015)  
 Aluminio barnizado "Fenix-NTM® gris Londres" (parecido al RAL Design0805005)  
 Aluminio barnizado "Fenix-NTM® gris Bromo" (parecido al RAL 7012)  
 Aluminio barnizado negro (parecido al RAL 9004)  
 Aluminio barnizado verde oliva (para referencia color ver "Poliuretano verde oliva P008")

### Acabado sobre/prolongaciones:

Laminado Alucompact® (blanco, gris arena, gris antracita, negro)  
 ---  
 Laminado Pure-white blanco  
 ---  
 Fenix-NTM® borde negro (blanco Kos 0032, gris Londres 0718, gris Bromo 0724, negro Ingo 0720)  
 ---  
 Fenix-NTM® borde color (blanco Kos 0032, gris Londres 0718)

### Notas:

En las mesas con códigos marcados con un asterisco (\*) existe la posibilidad de añadir la tercera prolongación para alargarlas todavía más.

Las mesas que superan los 250 cm extendidas presentan una ligera flexión del sobre que respeta los estándares de calidad aceptados.

Embalajes reforzados, ver lado interno de la portada.

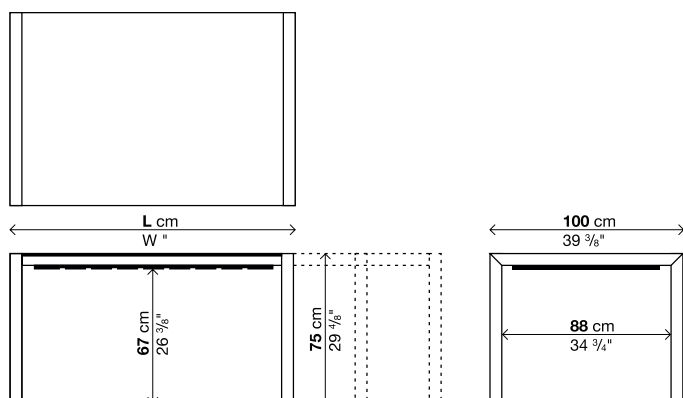
Código	Longitud	Patas	Sobre				pack	m <sup>3</sup>	Kg
			Alucompact®	Fenix-NTM® borde negro	Pure-white	Fenix-NTM® borde color			
01SUS04	100-170	Aluminium		-		-	3	0,33	55
		Barnizado		-		-			
01SUS02*	177-224-271	Aluminium					3	0,52	85
		Barnizado							
01SUS36*	200-247-294	Aluminium					3	0,57	92
		Barnizado							
01SUS05*	220-267-314	Aluminium					3	0,62	98
		Barnizado							

### (\*) 3ª prolongación adicional

Código	Longitud	Sobre				pack	m <sup>3</sup>	Kg
		Alucompact®	Fenix-NTM® borde negro	Pure-white	Fenix-NTM® borde color			
50SUS6A	33 cm					1	0,03	6

### Opcionales

Código	Descripción	pack	m <sup>3</sup>	Kg
02GTA02	Corte pata a medida	-	-	-





# SUSHI ALUcompact® / PURE-WHITE / FENIX-NTM®

## Fija - Profundidad 100 cm

### Acabado patas:

Aluminio anodizado  
 Aluminio barnizado blanco (parecido al RAL 9016)  
 Aluminio barnizado "Alucompact® gris arena" (parecido al RAL 9002)  
 Aluminio barnizado "Alucompact® gris antracita" (parecido al RAL 7015)  
 Aluminio barnizado "Fenix-NTM® gris Londres" (parecido al RAL Design0805005)  
 Aluminio barnizado "Fenix-NTM® gris Bromo" (parecido al RAL 7012)  
 Aluminio barnizado negro (parecido al RAL 9004)  
 Aluminio barnizado verde oliva (para referencia color ver "Poliuretano verde oliva P008")

### Acabado sobre:

Laminado Alucompact® (blanco, gris arena, gris antracita, negro)  
 Laminado Pure-white blanco  
 ---  
 Fenix-NTM® borde negro (blanco Kos 0032, gris Londres 0718, gris Bromo 0724, negro Ingo 0720)  
 Fenix-NTM® borde color (blanco Kos 0032, gris Londres 0718)

### Notas:

Atención: las medidas o los acabados marcados con (!) tienen los tiempos de producción más largos, de aproximadamente 6 semanas desde la fecha del pedido.

Las mesas que superan los 250 cm extendidas presentan una ligera flexión del sobre que respeta los estándares de calidad aceptados.

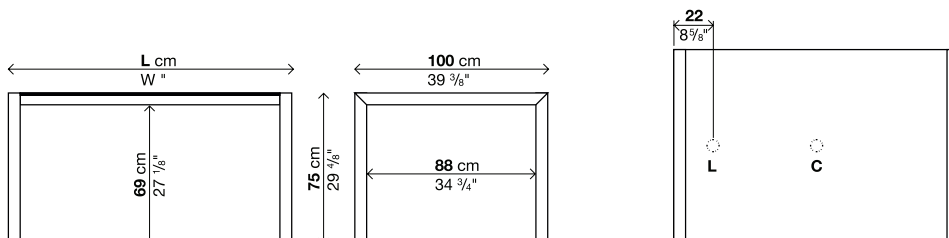
Las mesas de 280 y 300 cm de longitud presentan una barra de soporte central bajo el sobre, de manera que los posibles orificios pasacables no podrán colocarse centrados en la profundidad, sino ligeramente desplazados.

Embalajes reforzados, ver lado interno de la portada.

Código	Longitud	Patas	Sobre				pack	m <sup>3</sup>	Kg
			Alucompact®	Fenix-NTM® borde negro	Pure-white	Fenix-NTM® borde color			
<b>01SUS04F</b>	100	Aluminium		-		-	1	0,32	40
		Barnizado		-		-			
<b>01SUS78F</b>	150	Aluminium		-		-	1	0,39	50
		Barnizado		-		-			
<b>01SUS02F</b>	177	Aluminium					1	0,45	56
		Barnizado							
<b>01SUS08F</b>	200	Aluminium					1	0,5	62
		Barnizado							
<b>01SUS05F</b>	220	Aluminium					1	0,55	67
		Barnizado							
<b>01SUS09F</b>	240 (!)	Aluminium		-		-	1	0,6	72
		Barnizado		-		-			
<b>01SUS80F</b>	260 (!)	Aluminium		-		-	1	0,65	77
		Barnizado		-		-			
<b>01SUS82F</b>	280 (!)	Aluminium		-		-	1	0,69	85
		Barnizado		-		-			
<b>01SUS36F</b>	300 (!)	Aluminium		-		-	1	0,74	90
		Barnizado		-		-			

### Opcionales

Código	Descripción	pack	m <sup>3</sup>	Kg
<b>02GTA02</b>	Corte pata a medida	-	-	-
<b>02FOR01</b>	Orificio guiacables lateral o central Ø6	-	-	-
<b>02RET03</b>	Red de cable de plástico	1	0,07	1
<b>02VER01</b>	Vértebra, metacrilato opalino	1	0,007	1,5
<b>02CPU03</b>	Porta CPU, metacrilato opalino	1	0,14	5,5



# SUSHI ALUcompact® / PURE-WHITE

## Fija - Profundidad 124 cm

### Acabado patas:

Aluminio anodizado  
 Aluminio barnizado blanco (parecido al RAL 9016)  
 Aluminio barnizado "Alucompact® gris arena" (parecido al RAL 9002)  
 Aluminio barnizado "Alucompact® gris antracita" (parecido al RAL 7015)  
 Aluminio barnizado negro (parecido al RAL 9004)  
 Aluminio barnizado verde oliva (para referencia color ver "Poliuretano verde oliva P008")

### Acabado sobre:

Laminado Alucompact® (blanco, gris arena, gris antracita, negro)

---

Laminado Pure-white blanco

### Notas:

Atención: las medidas o los acabados marcados con (!) tienen los tiempos de producción más largos, de aproximadamente 6 semanas desde la fecha del pedido.

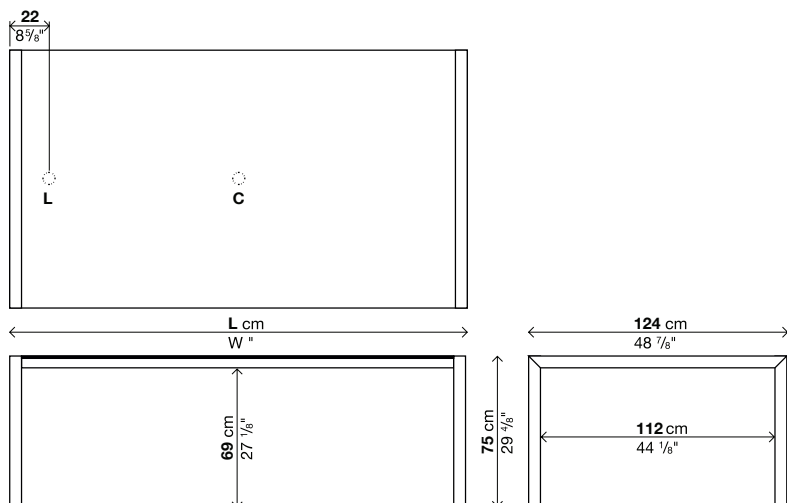
Las mesas que superan los 250 cm extendidas presentan una ligera flexión del sobre que respeta los estándares de calidad aceptados.

Embalajes reforzados, ver lado interno de la portada.

Código	Longitud	Patas	Sobre		pack	m³	Kg
			Alucompact®	Pure-white			
01SUS88F	220 (!)	Aluminium			1	0,66	86
		Barnizado					
01SUS90F	240 (!)	Aluminium			1	0,72	92
		Barnizado					
01SUS92F	288 (!)	Aluminium			1	0,85	108
		Barnizado					

### Opcionales

Código	Descripción	pack	m³	Kg
02GTA02	Corte pata a medida	-	-	-
02FOR01	Orificio guiacables lateral o central Ø6	-	-	-
02RET04	Red de cable de plástico	1	0,07	1
02VER01	Vértebra, metacrilato opalino	1	0,007	1,5
02CPU04	Porta CPU, metacrilato opalino	1	0,14	5,5



# SUSHI DEKTON® BY COSENTINO

## Extensible - Profundidad 90 cm

### Acabado patas:

Aluminio anodizado  
Aluminio barnizado blanco (parecido al RAL 9016)  
Aluminio barnizado "gris Ventus"  
Aluminio barnizado verde oliva (para referencia color ver "Poliuretano verde oliva P008")

### Acabado sobre:

DEKTON® blanco Zenith  
DEKTON® gris Ventus  
DEKTON® Aura (mármol digital)

### Acabado prolongaciones:

Aluminio barnizado blanco (parecido al RAL 9016)  
Aluminio barnizado "gris Ventus"

### Notas:

Atención: los veteados reproducidos sobre la superficie de los sobres de DEKTON® Aura (mármol digital) están dispuestos de modo casual, peculiaridad que hace que cada sobre resulte único e irrepetible. Esta característica implica posibles diferencias respecto a las muestras, que no pueden considerarse como imperfecciones o anomalías objeto de reclamación. Debido a la casualidad de su disposición, no es posible obtener bajo pedido veteados más o menos homogéneos.

Atención: las medidas o los acabados marcados con (!) tienen los tiempos de producción más largos, de aproximadamente 6 semanas desde la fecha del pedido.

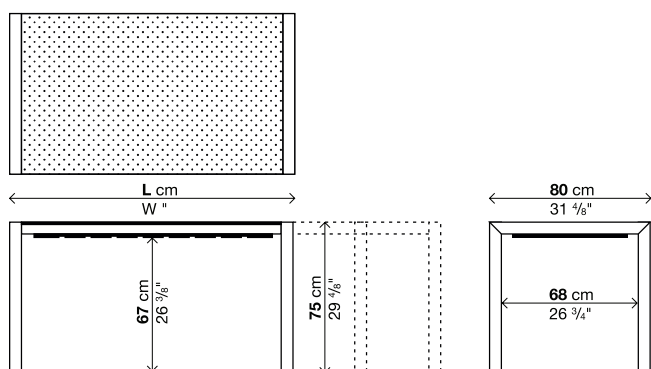
Las mesas que superan los 250 cm extendidas presentan una ligera flexión del sobre que respeta los estándares de calidad aceptados.

Embalajes reforzados, ver lado interno de la portada.

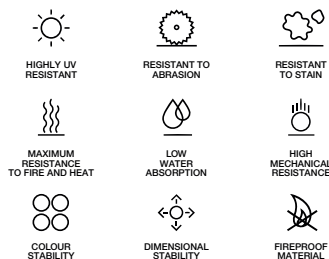
Código	Longitud	Patas	Sobre	pack	m <sup>2</sup>	Kg
			DEKTON®			
01SUS07	150-187-224 (!)	Aluminium		3	0,41	89
		Barnizado				
01SUS06	177-214-251 (!)	Aluminium		3	0,5	102
		Barnizado				
01SUS09	200-237-274 (!)	Aluminium		3	0,51	105
		Barnizado				

### Opcionales

Código	Descripción	pack	m <sup>2</sup>	Kg
02GTA02	Corte pata a medida	-	-	-



**DEKTON®**  
by COSENTINO



# SUSHI DEKTON® BY COSENTINO

## Fija - Profundidad 90 cm

### Acabado patas:

Aluminio anodizado

Aluminio barnizado blanco (parecido al RAL 9016)

Aluminio barnizado "gris Ventus"

Aluminio barnizado verde oliva (para referencia color ver "Poliuretano verde oliva P008")

### Acabado sobre:

DEKTON® blanco Zenith

DEKTON® gris Ventus

DEKTON® Aura (mármol digital)

### Notas:

Atención: los veteados reproducidos sobre la superficie de los sobres de DEKTON® Aura (mármol digital) están dispuestos de modo casual, peculiaridad que hace que cada sobre resulte único e irrepetible. Esta característica implica posibles diferencias respecto a las muestras, que no pueden considerarse como imperfecciones o anomalías objeto de reclamación. Debido a la casualidad de su disposición, no es posible obtener bajo pedido veteados más o menos homogéneos.

Atención: las medidas o los acabados marcados con (!) tienen los tiempos de producción más largos, de aproximadamente 6 semanas desde la fecha del pedido.

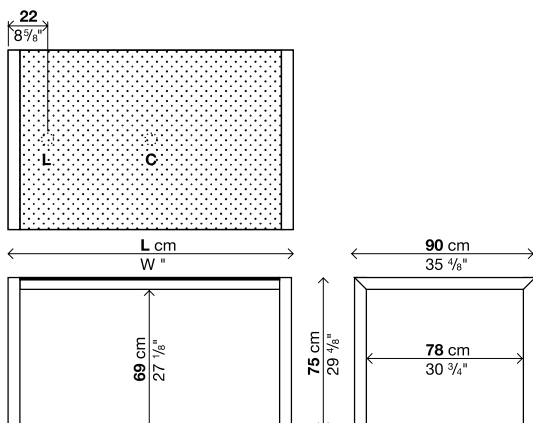
Las mesas que superan los 250 cm extendidas presentan una ligera flexión del sobre que respeta los estándares de calidad aceptados.

Embalajes reforzados, ver lado interno de la portada.

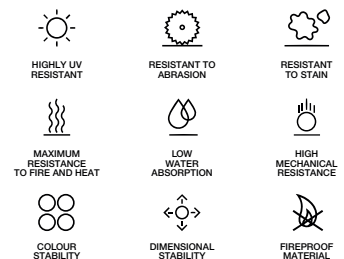
Código	Longitud	Patas	Sobre	pack	m <sup>2</sup>	Kg
			DEKTON®			
01SUS07F	150 (!)	Aluminium		1	0,36	60
		Barnizado				
01SUS06F	177 (!)	Aluminium		1	0,42	69
		Barnizado				
01SUS64F	200 (!)	Aluminium		1	0,46	76
		Barnizado				

### Opcionales

Código	Descripción	pack	m <sup>2</sup>	Kg
02GTA02	Corte pata a medida	-	-	-
02RET02	Red de cable de plástico	1	0,07	1
02VER01	Vértebra, metacrilato opalino	1	0,007	1,5
02CPU02	Porta CPU, metacrilato opalino	1	0,14	5,5



**DEKTON®**  
by COSENTINO



# SUSHI DEKTON® BY COSENTINO

## Extensible - Profundidad 100 cm

### Acabado patas:

Aluminio anodizado  
 Aluminio barnizado blanco (parecido al RAL 9016)  
 Aluminio barnizado "gris Ventus"  
 Aluminio barnizado verde oliva (para referencia color ver "Poliuretano verde oliva P008")

### Acabado sobre:

DEKTON® blanco Zenith  
 DEKTON® gris Ventus  
 DEKTON® Aura (mármol digital)

### Acabado prolongaciones:

Aluminio barnizado blanco (parecido al RAL 9016)  
 Aluminio barnizado "gris Ventus"

### Notas:

Atención: los veteados reproducidos sobre la superficie de los sobres de DEKTON® Aura (mármol digital) están dispuestos de modo casual, peculiaridad que hace que cada sobre resulte único e irrepetible. Esta característica implica posibles diferencias respecto a las muestras, que no pueden considerarse como imperfecciones o anomalías objeto de reclamación. Debido a la casualidad de su disposición, no es posible obtener bajo pedido veteados más o menos homogéneos.

Atención: las medidas o los acabados marcados con (!) tienen los tiempos de producción más largos, de aproximadamente 6 semanas desde la fecha del pedido.

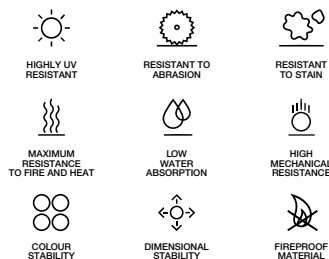
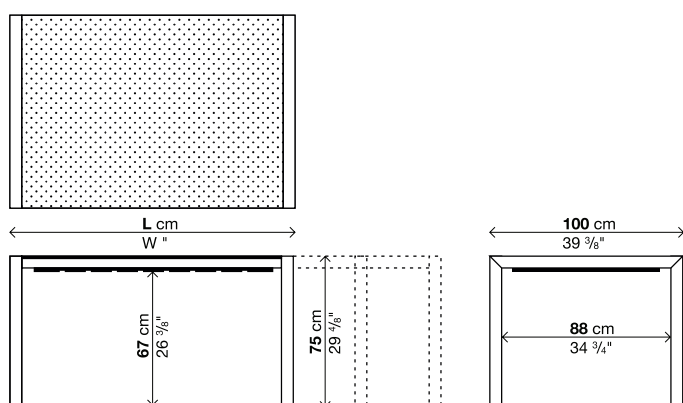
Las mesas que superan los 250 cm extendidas presentan una ligera flexión del sobre que respeta los estándares de calidad aceptados.

Embalajes reforzados, ver lado interno de la portada.

Código	Longitud	Patas	Sobre	pack	m <sup>2</sup>	Kg
			DEKTON®			
01SUS02	177-214-251 (!)	Aluminium		3	0,52	108
		Barnizado				
01SUS36	200-237-274 (!)	Aluminium		3	0,57	118
		Barnizado				

### Opcionales

Código	Descripción	pack	m <sup>2</sup>	Kg
02GTA02	Corte pata a medida	-	-	-



# SUSHI DEKTON® BY COSENTINO

## Fija - Profundidad 100 cm

### Acabado patas:

Aluminio anodizado

Aluminio barnizado blanco (parecido al RAL 9016)

Aluminio barnizado "gris Ventus"

Aluminio barnizado verde oliva (para referencia color ver "Poliuretano verde oliva PO08")

### Acabado sobre:

DEKTON® blanco Zenith

DEKTON® gris Ventus

DEKTON® Aura (mármol digital)

### Notas:

Atención: los veteados reproducidos sobre la superficie de los sobres de DEKTON® Aura (mármol digital) están dispuestos de modo casual, peculiaridad que hace que cada sobre resulte único e irrepetible. Esta característica implica posibles diferencias respecto a las muestras, que no pueden considerarse como imperfecciones o anomalías objeto de reclamación. Debido a la casualidad de su disposición, no es posible obtener bajo pedido veteados más o menos homogéneos.

Atención: las medidas o los acabados marcados con (!) tienen los tiempos de producción más largos, de aproximadamente 6 semanas desde la fecha del pedido.

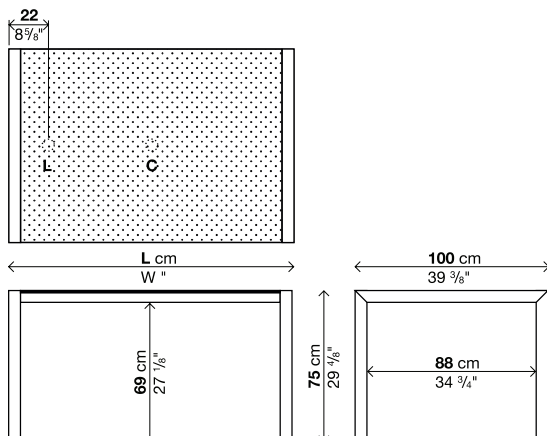
Las mesas que superan los 250 cm extendidas presentan una ligera flexión del sobre que respeta los estándares de calidad aceptados.

Embalajes reforzados, ver lado interno de la portada.

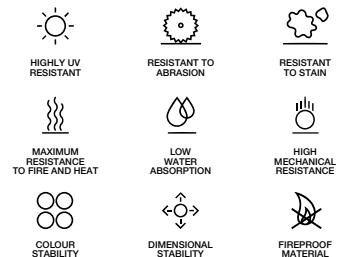
Código	Longitud	Patas	Sobre		pack	m³	Kg
				DEKTON®			
01SUS02F	177	Aluminium			1	0,45	74
		Barnizado					
01SUS08F	200	Aluminium			1	0,5	83
		Barnizado					
01SUS09F	240	Aluminium			1	0,6	97
		Barnizado					
01SUS82F	280	Aluminium			1	0,69	115
		Barnizado					

### Opcionales

Código	Descripción	pack	m³	Kg
02GTA02	Corte pata a medida	-	-	-
02RET03	Red de cable de plástico	1	0,07	1
02VER01	Vértebra, metacrilato opalino	1	0,007	1,5
02CPU03	Porta CPU, metacrilato opalino	1	0,14	5,5



**DEKTON®**  
by COSENTINO



# SUSHI MADERA

## Extensible - Profundidad 90 cm

### Acabado patas:

Aluminio anodizado  
 Aluminio barnizado blanco (parecido al RAL 9016)  
 Aluminio barnizado "Alucompact® gris arena" (parecido al RAL 9002)  
 Aluminio barnizado "Alucompact® gris antracita" (parecido al RAL 7015)  
 Aluminio barnizado "Fenix-NTM® gris Londres" (parecido al RAL Design0805005)  
 Aluminio barnizado negro (parecido al RAL 9004)  
 Aluminio barnizado verde oliva (para referencia color ver "Poliuretano verde oliva P008")

### Acabado sobre/prolongaciones:

Madera efecto roble europeo  
 Madera efecto nogal  
 Madera efecto roble teñido negro

### Notas:

Atención: las medidas o los acabados marcados con (!) tienen los tiempos de producción más largos, de aproximadamente 6 semanas desde la fecha del pedido.

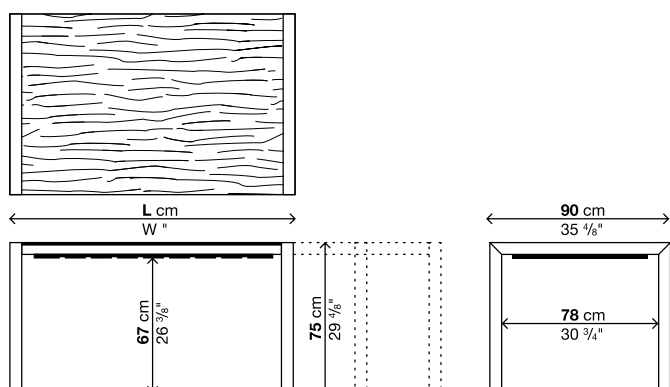
Las mesas que superan los 250 cm extendidas presentan una ligera flexión del sobre que respeta los estándares de calidad aceptados.

Embalajes reforzados, ver lado interno de la portada.

Código	Longitud	Patas	Sobre	pack	m <sup>3</sup>	Kg
			Madera			
01SUS06	177-212-247-282 con tres extensiones	Aluminium Barnizado		4	0,5	81
01SUS09	200-235-270-305 con tres extensiones	Aluminium Barnizado		4	0,53	88,5
01SUS35	220-264-308 (!) con dos extensiones	Aluminium Barnizado		3	0,55	88

### Opcionales

Código	Descripción	pack	m <sup>3</sup>	Kg
02GTA02	Corte pata a medida	-	-	-



# SUSHI MADERA

## Fija - Profundidad 90 cm

### Acabado patas:

Aluminio anodizado

Aluminio barnizado blanco (parecido al RAL 9016)

Aluminio barnizado "Alucompact® gris arena" (parecido al RAL 9002)

Aluminio barnizado "Alucompact® gris antracita" (parecido al RAL 7015)

Aluminio barnizado "Fenix-NTM® gris Londres" (parecido al RAL Design0805005)

Aluminio barnizado negro (parecido al RAL 9004)

Aluminio barnizado verde oliva (para referencia color ver "Poliuretano verde oliva P008")

### Acabado sobre:

Madera efecto roble europeo

Madera efecto nogal

Madera efecto roble teñido negro

### Notas:

Atención: las medidas o los acabados marcados con (!) tienen los tiempos de producción más largos, de aproximadamente 6 semanas desde la fecha del pedido.

Las mesas que superan los 250 cm extendidas presentan una ligera flexión del sobre que respeta los estándares de calidad aceptados.

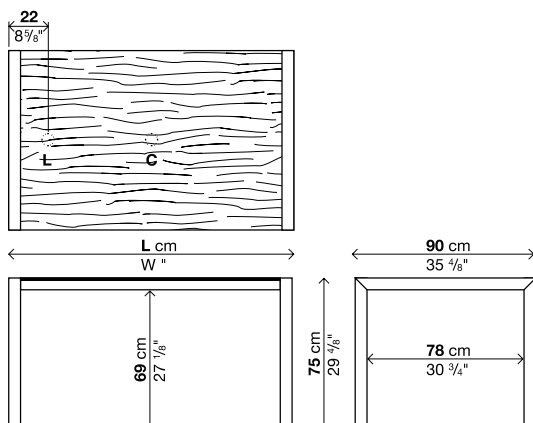
Las mesas de 269 y 289 cm de longitud presentan una barra de soporte central bajo el sobre, de manera que los posibles orificios pasacables no podrán colocarse centrados en la profundidad, sino ligeramente desplazados.

Embalajes reforzados, ver lado interno de la portada.

Código	Longitud	Patas	Sobre		
			pack	m <sup>2</sup> Kg	
			Madera		
01SUS64F	200	Aluminium	1	0,46	57
		Barnizado			
01SUS35F	220 (!)	Aluminium	1	0,5	62
		Barnizado			
01SUS68F	240 (!)	Aluminium	1	0,55	66
		Barnizado			
01SUS70F	260 (!)	Aluminium	1	0,59	71
		Barnizado			
01SUS72F	280 (!)	Aluminium	1	0,63	79
		Barnizado			
01SUS74F	300 (!)	Aluminium	1	0,67	85
		Barnizado			

### Opcionales

Código	Descripción	pack	m <sup>2</sup>	Kg
02GTA02	Corte pata a medida	-	-	-
02FOR01	Orificio guíacables lateral o central Ø6	-	-	-
02RET02	Red de cable de plástico	1	0,07	1
02VER01	Vértebra, metacrilato opalino	1	0,007	1,5
02CPU02	Porta CPU, metacrilato opalino	1	0,14	5,5





# SUSHI MADERA

## Extensible - Profundidad 100 cm

### Acabado patas:

Aluminio anodizado  
 Aluminio barnizado blanco (parecido al RAL 9016)  
 Aluminio barnizado "Alucompact® gris arena" (parecido al RAL 9002)  
 Aluminio barnizado "Alucompact® gris antracita" (parecido al RAL 7015)  
 Aluminio barnizado "Fenix-NTM® gris Londres" (parecido al RAL Design0805005)  
 Aluminio barnizado negro (parecido al RAL 9004)  
 Aluminio barnizado verde oliva (para referencia color ver "Poliuretano verde oliva P008")

### Acabado sobre/prolongaciones:

Madera efecto roble europeo  
 Madera efecto nogal  
 Madera efecto roble teñido negro

### Notas:

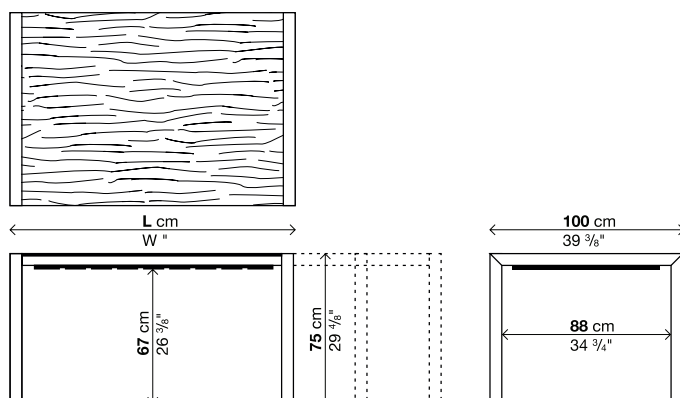
Las mesas que superan los 250 cm extendidas presentan una ligera flexión del sobre que respeta los estándares de calidad aceptados.

Embalajes reforzados, ver lado interno de la portada.

Código	Longitud	Patas	Sobre	pack	m <sup>2</sup>	Kg
			Madera			
01SUS02	177-212-247-282 con tres extensiones	Aluminium Barnizado		4	0,53	91
01SUS36	200-235-270-305 con tres extensiones	Aluminium Barnizado		4	0,58	98
01SUS05	220-264-308 con dos extensiones	Aluminium Barnizado		3	0,62	98

### Opcionales

Código	Descripción	pack	m <sup>2</sup>	Kg
02GTA02	Corte pata a medida	-	-	-



# SUSHI MADERA

## Fija - Profundidad 100 cm

### Acabado patas:

- Aluminio anodizado
- Aluminio barnizado blanco (parecido al RAL 9016)
- Aluminio barnizado "Alucompact® gris arena" (parecido al RAL 9002)
- Aluminio barnizado "Alucompact® gris antracita" (parecido al RAL 7015)
- Aluminio barnizado "Fenix-NTM® gris Londres" (parecido al RAL Design0805005)
- Aluminio barnizado negro (parecido al RAL 9004)
- Aluminio barnizado verde oliva (para referencia color ver "Poliuretano verde oliva P008")

### Acabado sobre:

- Madera efecto roble europeo
- Madera efecto nogal
- Madera efecto roble teñido negro

### Notas:

Atención: las medidas o los acabados marcados con (!) tienen los tiempos de producción más largos, de aproximadamente 6 semanas desde la fecha del pedido.

Las mesas que superan los 250 cm extendidas presentan una ligera flexión del sobre que respeta los estándares de calidad aceptados.

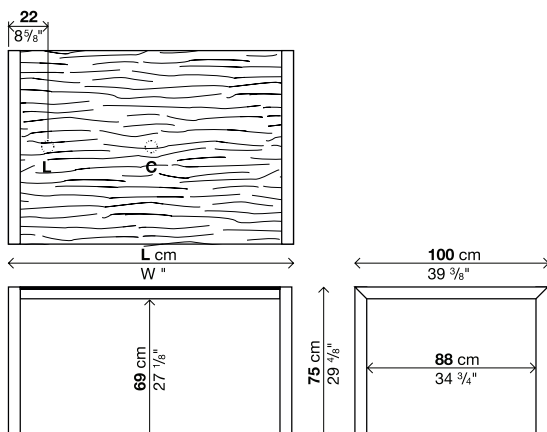
Las mesas de 269 y 289 cm de longitud presentan una barra de soporte central bajo el sobre, de manera que los posibles orificios pasacables no podrán colocarse centrados en la profundidad, sino ligeramente desplazados.

Embalajes reforzados, ver lado interno de la portada.

Código	Longitud	Patas	Sobre	
			Madera	pack m <sup>2</sup> Kg
01SUS08F	200	Aluminium		1 0,5 62
		Barnizado		
01SUS05F	220	Aluminium		1 0,55 67
		Barnizado		
01SUS09F	240 (!)	Aluminium		1 0,6 72
		Barnizado		
01SUS80F	260 (!)	Aluminium		1 0,65 77
		Barnizado		
01SUS82F	280 (!)	Aluminium		1 0,69 85
		Barnizado		
01SUS36F	300 (!)	Aluminium		1 0,74 90
		Barnizado		

### Opcionales

Código	Descripción	pack m <sup>2</sup> Kg
02GTA02	Corte pata a medida	- - -
02FOR01	Orificio guíacables lateral o central Ø6	- - -
02RET02	Red de cable de plástico	1 0,07 1
02VER01	Vértebra, metacrilato opalino	1 0,007 1,5
02CPU03	Porta CPU, metacrilato opalino	1 0,14 5,5



# SUSHI CRISTAL

## Extensible - Profundidad 80 cm

### Acabado patas:

Aluminio anodizado

Aluminio barnizado blanco (parecido al RAL 9016)

Aluminio barnizado negro (parecido al RAL 9004)

### Acabado sobre:

Cristal brillante colores: extra white, gris antracita, negro, titanio

Cristal mate colores: extra white, gris antracita, negro, titanio

### Acabado prolongaciones:

Laminado Alucompact® blanco

Laminado Alucompact® gris arena

Laminado Alucompact® gris antracita

Laminado Alucompact® negro

### Notas:

En las mesas con códigos marcados con un asterisco (\*) existe la posibilidad de añadir la tercera prolongación para alargarlas todavía más.

Atención: las medidas o los acabados marcados con (!) tienen los tiempos de producción más largos, de aproximadamente 6 semanas desde la fecha del pedido.

Las mesas que superan los 250 cm extendidas presentan una ligera flexión del sobre que respeta los estándares de calidad aceptados.

Embalajes reforzados, ver lado interno de la portada.

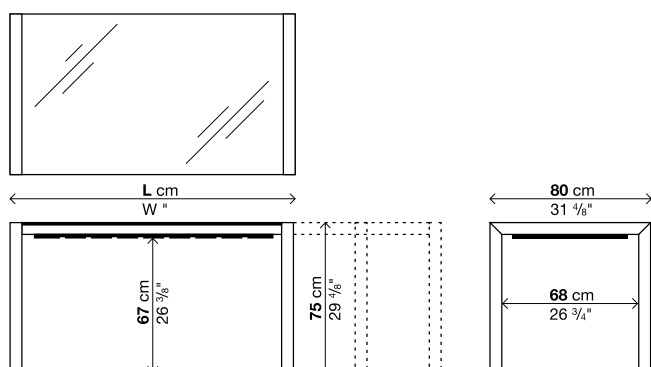
Código	Longitud	Patas	Sobre		pack	m <sup>2</sup>	Kg
			Cristal brillante	Cristal mate			
01SUS11	125-165-205	Aluminium			3	0,32	64
		Barnizado					
01SUS13*	150-190-230	Aluminium			3	0,37	72
		Barnizado					
01SUS16*	177-217-257	Aluminium			3	0,42	79
		Barnizado					

### (\*) 3ª prolongación adicional

Código	Longitud	Sobre	pack	m <sup>2</sup>	Kg
		Alucompact®			
50SUS5A	33 cm		1	0,03	6

### Opcionales

Código	Descripción	pack	m <sup>2</sup>	Kg
02GTA02	Corte pata a medida	-	-	-



# SUSHI CRISTAL

## Fija - Profundidad 80 cm

### Acabado patas:

Aluminio anodizado

Aluminio barnizado blanco (parecido al RAL 9016)

Aluminio barnizado negro (parecido al RAL 9004)

### Acabado sobre:

Cristal brillante colores: extra white, gris antracita, negro, titanio

Cristal mate colores: extra white, gris antracita, negro, titanio

### Notas:

Atención: las medidas o los acabados marcados con (!) tienen los tiempos de producción más largos, de aproximadamente 6 semanas desde la fecha del pedido.

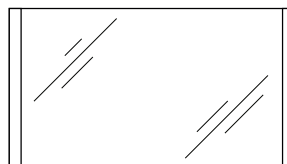
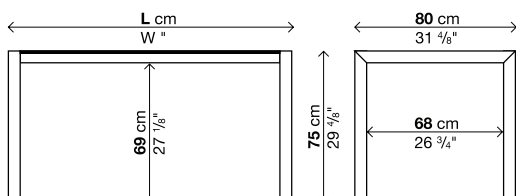
Las mesas que superan los 250 cm extendidas presentan una ligera flexión del sobre que respeta los estándares de calidad aceptados.

Embalajes reforzados, ver lado interno de la portada.

Código	Longitud	Patas	Sobre		pack	m <sup>3</sup>	Kg
			Cristal brillante	Cristal mate			
01SUS31F	80	Aluminium			1	0,18	31
		Barnizado					
01SUS11F	125	Aluminium			1	0,27	44
		Barnizado					
01SUS13F	150	Aluminium			1	0,32	52
		Barnizado					
01SUS33F	177	Aluminium			1	0,37	58
		Barnizado					
01SUS37F	200	Aluminium			1	0,41	66
		Barnizado					
01SUS39F	220 (!)	Aluminium			1	0,45	72
		Barnizado					
01SUS45F	240 (!)	Aluminium			1	0,49	77
		Barnizado					
01SUS49F	260 (!)	Aluminium			1	0,53	83
		Barnizado					
01SUS53F	280 (!)	Aluminium			1	0,57	88
		Barnizado					
01SUS56F	300 (!)	Aluminium			1	0,61	94
		Barnizado					

### Opcionales

Código	Descripción	pack	m <sup>3</sup>	Kg
02GTA02	Corte pata a medida	-	-	-
02RET01	Red de cable de plástico	1	0,07	1
02VER01	Vértebra, metacrilato opalino	1	0,007	1,5
02CPU01	Porta CPU, metacrilato opalino	1	0,14	5,5



# SUSHI CRISTAL

## Extensible - Profundidad 90 cm

### Acabado patas:

Aluminio anodizado

Aluminio barnizado blanco (parecido al RAL 9016)

Aluminio barnizado negro (parecido al RAL 9004)

### Acabado sobre:

Cristal brillante colores: extra white, gris antracita, negro, titanio

Cristal mate colores: extra white, gris antracita, negro, titanio

### Acabado prolongaciones:

Laminado Alucompact® blanco

Laminado Alucompact® gris arena

Laminado Alucompact® gris antracita

Laminado Alucompact® negro

### Notas:

En las mesas con códigos marcados con un asterisco (\*) existe la posibilidad de añadir la tercera prolongación para alargarlas todavía más.

Atención: las medidas o los acabados marcados con (!) tienen los tiempos de producción más largos, de aproximadamente 6 semanas desde la fecha del pedido.

Las mesas que superan los 250 cm extendidas presentan una ligera flexión del sobre que respeta los estándares de calidad aceptados.

Embalajes reforzados, ver lado interno de la portada.

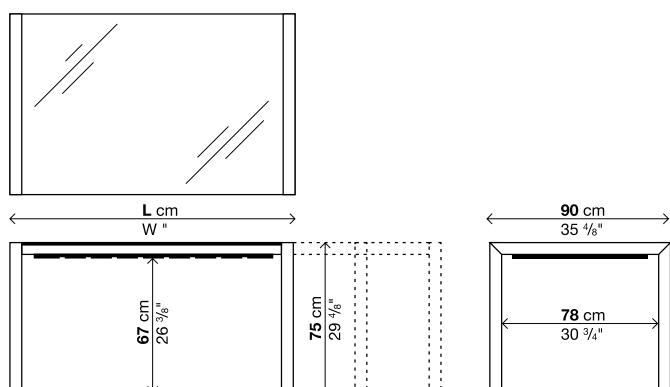
Código	Longitud	Patas	Sobre		pack	m <sup>2</sup>	Kg
			Cristal brillante	Cristal mate			
<b>01SUS17*</b>	150-187-224	Aluminium			3	0,41	81
		Barnizado					
<b>01SUS15</b>	177-214-251-288 Tercera prolongación de serie	Aluminium			4	0,5	96
		Barnizado					
<b>01SUS18*</b>	200-237-274	Aluminium			3	0,51	98
		Barnizado					
<b>01SUS52*</b>	220-257-294	Aluminium			3	0,55	105
		Barnizado					

### (\*) 3ª prolongación adicional

Código	Longitud	Sobre		pack	m <sup>2</sup>	Kg
		Alucompact®				
<b>50SUS2A</b>	37,5 cm			1	0,03	6,5

### Opcionales

Código	Descripción	pack	m <sup>2</sup>	Kg
<b>02GTA02</b>	Corte pata a medida	-	-	-



# SUSHI CRISTAL

## Fija - Profundidad 90 cm

### Acabado patas:

Aluminio anodizado

Aluminio barnizado blanco (parecido al RAL 9016)

Aluminio barnizado negro (parecido al RAL 9004)

### Acabado sobre:

Cristal brillante colores: extra white, gris antracita, negro, titanio

Cristal mate colores: extra white, gris antracita, negro, titanio

### Notas:

Atención: las medidas o los acabados marcados con (!) tienen los tiempos de producción más largos, de aproximadamente 6 semanas desde la fecha del pedido.

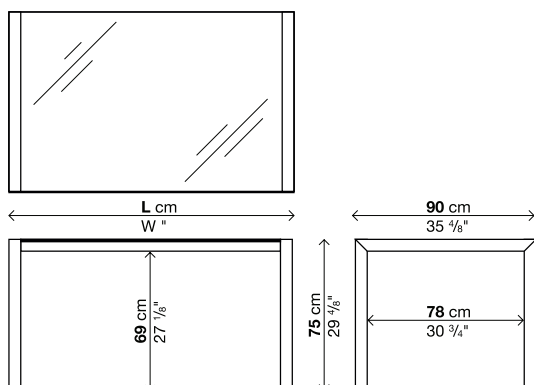
Las mesas que superan los 250 cm extendidas presentan una ligera flexión del sobre que respeta los estándares de calidad aceptados.

Embalajes reforzados, ver lado interno de la portada.

Código	Longitud	Patas	Sobre		pack	m <sup>3</sup>	Kg
			Cristal brillante	Cristal mate			
01SUS58F	90	Aluminium			1	0,23	37
		Barnizado					
01SUS63F	125	Aluminium			1	0,3	51
		Barnizado					
01SUS17F	150	Aluminium			1	0,36	58
		Barnizado					
01SUS15F	177	Aluminium			1	0,42	67
		Barnizado					
01SUS67F	200	Aluminium			1	0,46	74
		Barnizado					
01SUS52F	220 (!)	Aluminium			1	0,5	80
		Barnizado					
01SUS69F	240 (!)	Aluminium			1	0,55	86
		Barnizado					
01SUS71F	260 (!)	Aluminium			1	0,59	92
		Barnizado					
01SUS73F	280 (!)	Aluminium			1	0,63	103
		Barnizado					
01SUS75F	300 (!)	Aluminium			1	0,67	109
		Barnizado					

### Opcionales

Código	Descripción	pack	m <sup>3</sup>	Kg
02GTA02	Corte pata a medida	-	-	-
02RET02	Red de cable de plástico	1	0,07	1
02VER01	Vértebra, metacrilato opalino	1	0,007	1,5
02CPU02	Porta CPU, metacrilato opalino	1	0,14	5,5



# SUSHI CRISTAL

## Extensible - Profundidad 100 cm

### Acabado patas:

Aluminio anodizado

Aluminio barnizado blanco (parecido al RAL 9016)

Aluminio barnizado negro (parecido al RAL 9004)

### Acabado sobre:

Cristal brillante colores: extra white, gris antracita, negro, titanio

Cristal mate colores: extra white, gris antracita, negro, titanio

### Acabado prolongaciones:

Laminado Alucompact® blanco

Laminado Alucompact® gris arena

Laminado Alucompact® gris antracita

Laminado Alucompact® negro

### Notas:

En las mesas con códigos marcados con un asterisco (\*) existe la posibilidad de añadir la tercera prolongación para alargarlas todavía más.

Atención: las medidas o los acabados marcados con (!) tienen los tiempos de producción más largos, de aproximadamente 6 semanas desde la fecha del pedido.

Las mesas que superan los 250 cm extendidas presentan una ligera flexión del sobre que respeta los estándares de calidad aceptados.

Embalajes reforzados, ver lado interno de la portada.

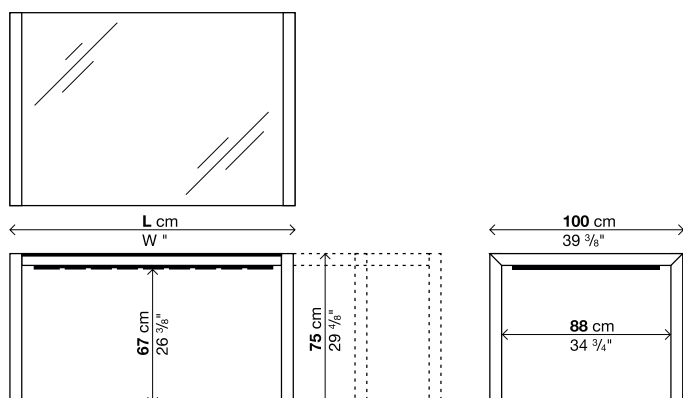
Código	Longitud	Patas	Sobre		pack	m <sup>2</sup>	Kg
			Cristal brillante	Cristal mate			
<b>01SUS14</b>	100-170	Aluminium			3	0,33	63
		Barnizado					
<b>01SUS12*</b>	177-224-271	Aluminium			3	0,52	101
		Barnizado					
<b>01SUS20*</b>	200-247-294	Aluminium			3	0,57	108
		Barnizado					
<b>01SUS19*</b>	220-267-314	Aluminium			3	0,62	118
		Barnizado					

### (\*) 3ª prolongación adicional

Código	Longitud	Sobre		pack	m <sup>2</sup>	Kg
		Alucompact®				
<b>50SUS6A</b>	33 cm			1	0,03	6

### Opcionales

Código	Descripción	pack	m <sup>2</sup>	Kg
<b>02GTA02</b>	Corte pata a medida	-	-	-



# SUSHI CRISTAL

## Fija - Profundidad 100 cm

### Acabado patas:

Aluminio anodizado

Aluminio barnizado blanco (parecido al RAL 9016)

Aluminio barnizado negro (parecido al RAL 9004)

### Acabado sobre:

Cristal brillante colores: extra white, gris antracita, negro, titanio

Cristal mate colores: extra white, gris antracita, negro, titanio

### Notas:

Atención: las medidas o los acabados marcados con (!) tienen los tiempos de producción más largos, de aproximadamente 6 semanas desde la fecha del pedido.

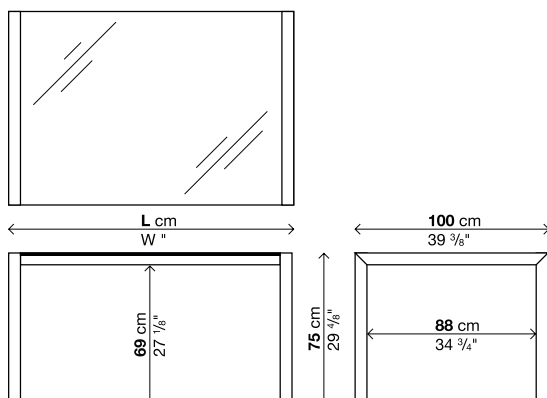
Las mesas que superan los 250 cm extendidas presentan una ligera flexión del sobre que respeta los estándares de calidad aceptados.

Embalajes reforzados, ver lado interno de la portada.

Código	Longitud	Patas	Sobre		pack	m <sup>3</sup>	Kg
			Cristal brillante	Cristal mate			
<b>01SUS14F</b>	100	Aluminium			1	0,27	45
		Barnizado					
<b>01SUS79F</b>	150	Aluminium			1	0,39	63
		Barnizado					
<b>01SUS12F</b>	177	Aluminium			1	0,45	72
		Barnizado					
<b>01SUS16F</b>	200	Aluminium			1	0,5	80
		Barnizado					
<b>01SUS19F</b>	220	Aluminium			1	0,55	87
		Barnizado					
<b>01SUS50F</b>	240 (!)	Aluminium			1	0,6	93
		Barnizado					
<b>01SUS81F</b>	260 (!)	Aluminium			1	0,65	100
		Barnizado					
<b>01SUS83F</b>	280 (!)	Aluminium			1	0,69	110
		Barnizado					
<b>01SUS54F</b>	300 (!)	Aluminium			1	0,74	118
		Barnizado					

### Opcionales

Código	Descripción	pack	m <sup>3</sup>	Kg
<b>02GTA02</b>	Corte pata a medida	-	-	-
<b>02RET03</b>	Red de cable de plástico	1	0,07	1
<b>02VER01</b>	Vértebra, metacrilato opalino	1	0,007	1,5
<b>02CPU03</b>	Porta CPU, metacrilato opalino	1	0,14	5,5





# SUSHI CRISTAL

## Fija - Profundidad 124 cm

### Acabado patas:

Aluminio anodizado

Aluminio barnizado blanco (parecido al RAL 9016)

Aluminio barnizado negro (parecido al RAL 9004)

### Acabado sobre:

Cristal brillante colores: extra white, gris antracita, negro, titanio

Cristal mate colores: extra white, gris antracita, negro, titanio

### Notas:

Atención: las medidas o los acabados marcados con (!) tienen los tiempos de producción más largos, de aproximadamente 6 semanas desde la fecha del pedido.

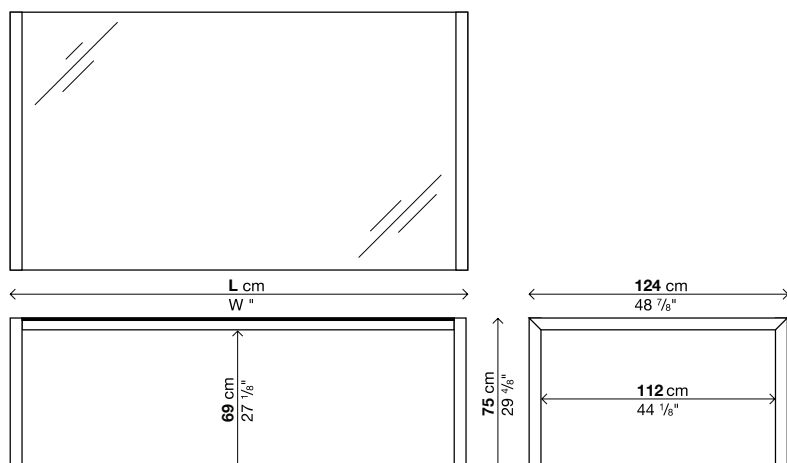
Las mesas que superan los 250 cm extendidas presentan una ligera flexión del sobre que respeta los estándares de calidad aceptados.

Embalajes reforzados, ver lado interno de la portada.

Código	Longitud	Patas	Sobre		pack	m³	Kg
			Cristal brillante	Cristal mate			
01SUS89F	220 (!)	Aluminium			1	0,66	109
		Barnizado					
01SUS91F	240 (!)	Aluminium			1	0,72	118
		Barnizado					
01SUS93F	288 (!)	Aluminium			1	0,85	140
		Barnizado					

### Opcionales

Código	Descripción	pack	m³	Kg
02GTA02	Corte pata a medida	-	-	-
02RET04	Red de cable de plástico	1	0,07	1
02VER01	Vértebra, metacrilato opalino	1	0,007	1,5
02CPU04	Porta CPU, metacrilato opalino	1	0,14	5,5



# SUSHI CRISTAL

## Fija - Profundidad 140 cm

### Acabado patas:

Aluminio anodizado

Aluminio barnizado blanco (parecido al RAL 9016)

Aluminio barnizado negro (parecido al RAL 9004)

### Acabado sobre:

Cristal brillante colores: extra white, gris antracita, negro, titanio

Cristal mate colores: extra white, gris antracita, negro, titanio

### Notas:

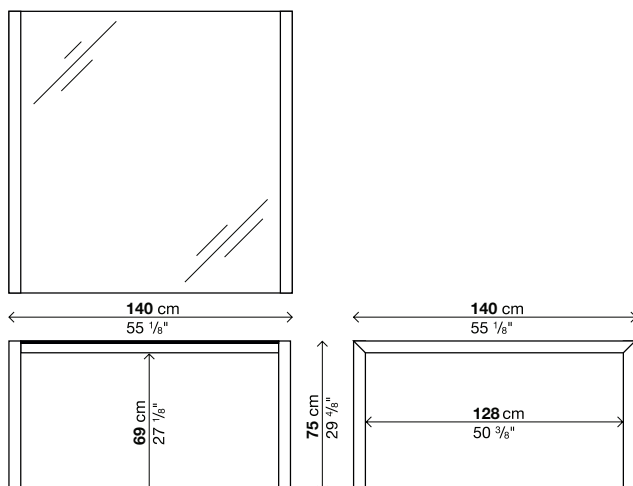
Atención: las medidas o los acabados marcados con (!) tienen los tiempos de producción más largos, de aproximadamente 6 semanas desde la fecha del pedido.

Embalajes reforzados, ver lado interno de la portada.

Código	Longitud	Patas	Sobre		pack	m <sup>3</sup>	Kg
			Cristal brillante	Cristal mate			
01SUS18F	140 (!)	Aluminium			1	0,52	73
		Barnizado					

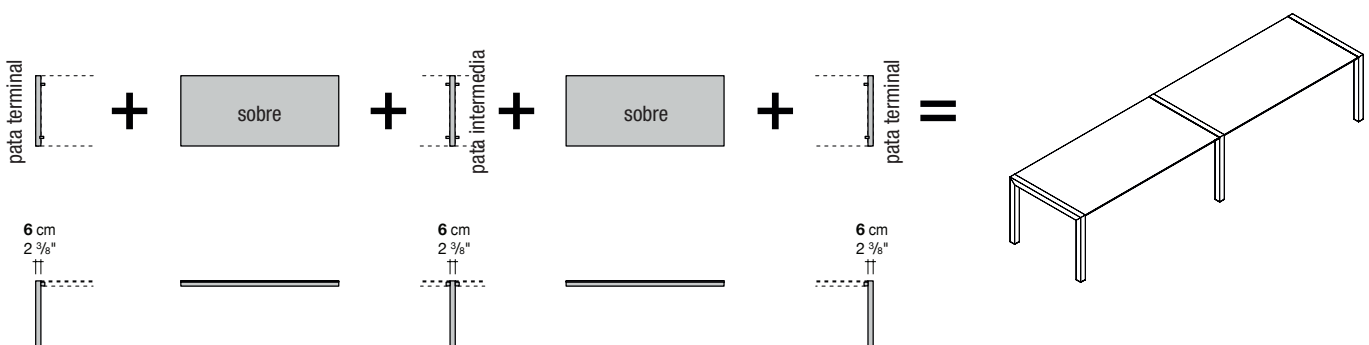
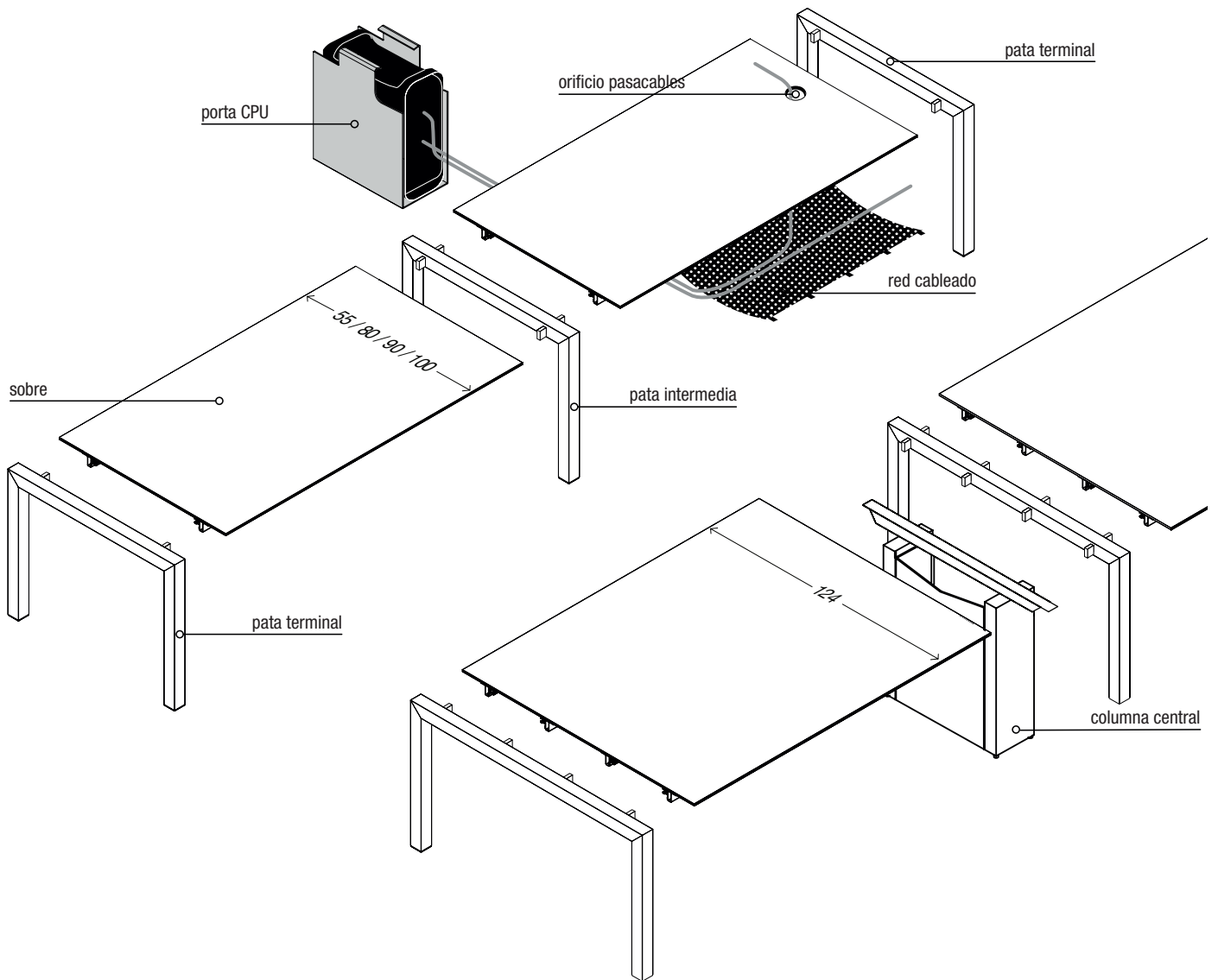
### Opcionales

Código	Descripción	pack	m <sup>3</sup>	Kg
02GTA02	Corte pata a medida	-	-	-
02VER01	Vértebra, metacrilato opalino	1	0,007	1,5



# SUSHI COMPONIBLE

## Esquema de montaje



# SUSHI COMPONIBLE

## Sobre de Alucompact® - Mesa, Mesa de reuniones

### Acabado sobre:

Laminado Alucompact® blanco  
Laminado Alucompact® gris arena  
Laminado Alucompact® gris antracita  
Laminado Alucompact® negro

### Notas:

Bajo pedido (para la cantidad) pueden realizarse sobres de distintos materiales: laminado Pure-white, Fenix-NTM®, cristal.

Atención: las medidas o los acabados marcados con (!) tienen los tiempos de producción más largos, de aproximadamente 6 semanas desde la fecha del pedido.

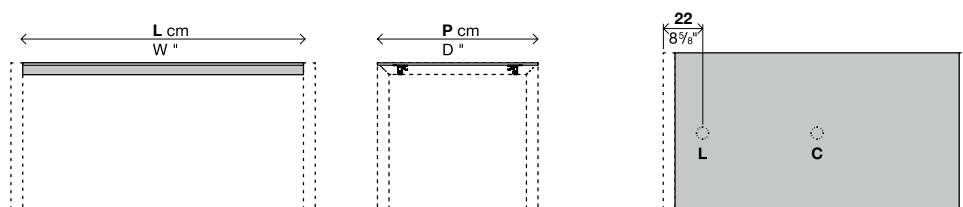
Las mesas que superan los 250 cm extendidas presentan una ligera flexión del sobre que respeta los estándares de calidad aceptados.

Embalajes reforzados, ver lado interno de la portada.

Código	Dimensiones	Sobre	pack	m <sup>3</sup>	Kg
		Alucompact®			
01SUS00	113 x 55 (!)		1	0,2	18
01SUS01	135 x 55 (!)		1	0,24	24
01SUS02	204 x 55 (!)		1	0,33	35
01SUS03	113 x 80		1	0,27	27
01SUS04	138 x 80		1	0,32	32
01SUS15	165 x 80 (!)		1	0,37	37
01SUS05	138 x 90		1	0,36	38
01SUS06	165 x 90		1	0,42	42
01SUS64	188 x 90 (!)		1	0,46	47
01SUS16	208 x 90 (!)		1	0,5	52
01SUS68	228 x 90 (!)		1	0,55	56
01SUS70	248 x 90 (!)		1	0,59	61
01SUS72	268 x 90 (!)		1	0,63	69
01SUS74	288 x 90 (!)		1	0,67	75
01SUS07	88 x 100		1	0,27	26
01SUS08	165 x 100		1	0,45	52
01SUS13	188 x 100 (!)		1	0,5	51
01SUS09	208 x 100 (!)		1	0,55	56
01SUS14	228 x 100 (!)		1	0,6	61
01SUS80	248 x 100 (!)		1	0,65	68
01SUS82	268 x 100 (!)		1	0,69	75
01SUS36	288 x 100 (!)		1	0,74	80
01SUS88	208 x 124 (!)		1	0,66	75
01SUS90	228 x 124 (!)		1	0,72	81
01SUS12	276 x 124 (!)		1	0,85	97

### Opcionales

Código	Descripción	pack	m <sup>3</sup>	Kg
02FOR01	Orificio guíacables lateral o central Ø6 cm	-	-	-



# SUSHI COMPONIBLE

## Sobre de Alucompact® - Ala auxiliar

### Acabado sobre:

Laminado Alucompact® blanco  
Laminado Alucompact® gris arena  
Laminado Alucompact® gris antracita  
Laminado Alucompact® negro

### Notas:

Bajo pedido (para la cantidad) pueden realizarse sobres de distintos materiales: laminado Pure-white, Fenix-NTM®, cristal.

Atención: las medidas o los acabados marcados con (!) tienen los tiempos de producción más largos, de aproximadamente 6 semanas desde la fecha del pedido.

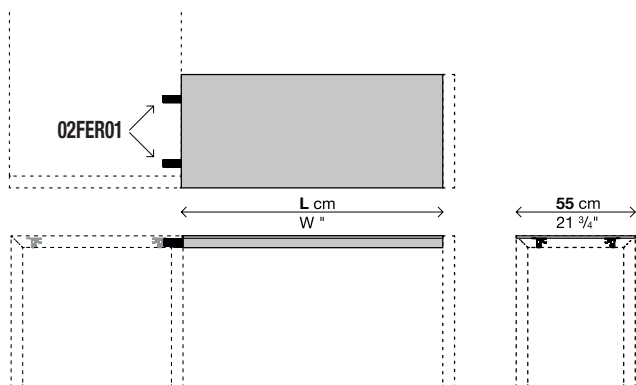
Las mesas que superan los 250 cm extendidas presentan una ligera flexión del sobre que respeta los estándares de calidad aceptados.

Embalajes reforzados, ver lado interno de la portada.

Código	Dimensiones	Sobre	pack	m <sup>3</sup>	Kg
		Alucompact®			
<b>02SUS00</b>	113 x 55 (!)		1	0,2	18
<b>02SUS01</b>	135 x 55 (!)		1	0,24	24
<b>02SUS02</b>	204 x 55 (!)		1	0,33	35

### Opcionales

Código	Descripción	pack	m <sup>3</sup>	Kg
<b>02FER01</b>	Herrajes ala auxiliar	-	-	1,5



# SUSHI COMPONIBLE

## Pata terminal / Pata intermedia / Columna central

### Acabado patas:

Aluminio anodizado

Aluminio barnizado blanco (parecido al RAL 9016)

Aluminio barnizado "Alucompact® gris arena" (parecido al RAL 9002)

Aluminio barnizado "Alucompact® gris antracita" (parecido al RAL 7015)

Aluminio barnizado negro (parecido al RAL 9004)

### Finitura colonna:

Acero barnizado gris aluminio (parecido al RAL 7042)

Acero barnizado blanco (parecido al RAL 9016)

Acero barnizado "Alucompact® gris arena" (parecido al RAL 9002)

Acero barnizado "Alucompact® gris antracita" (parecido al RAL 7015)

Acero barnizado negro (parecido al RAL 9004)

### Pata terminal

Código	Profundidad	Acabado		pack	m <sup>3</sup>	Kg
		Aluminio anodizado	Aluminio barnizado			
<b>02CAV01</b>	55			1	0,22	10
<b>02CAV02</b>	80			1	0,22	10,2
<b>02CAV03</b>	90			1	0,22	10,3
<b>02CAV04</b>	100			1	0,22	10,5
<b>02CAV01A</b>	124			1	0,26	11

### Pata intermedia

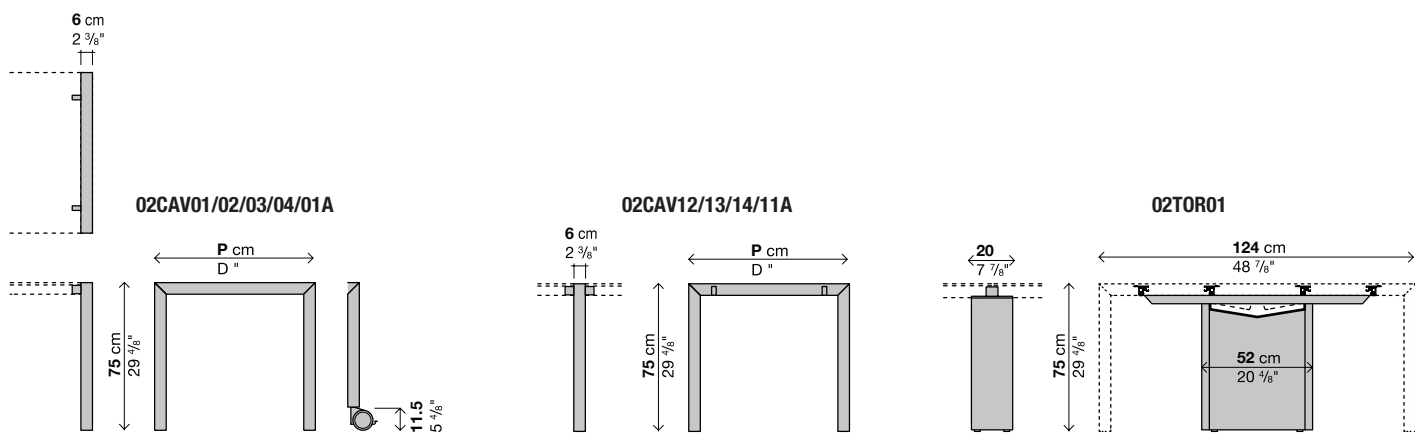
Código	Profundidad	Acabado		pack	m <sup>3</sup>	Kg
		Aluminio anodizado	Aluminio barnizado			
<b>02CAV12</b>	80			1	0,22	10,5
<b>02CAV13</b>	90			1	0,22	10,6
<b>02CAV14</b>	100			1	0,22	10,7
<b>02CAV11A</b>	124			1	0,26	12

### Columna central

Código	Profundidad	Acabado		pack	m <sup>3</sup>	Kg
		Acero barnizado				
<b>02TOR01</b>	124			1	0,14	19,5

### Opcionales

Código	Descripción	pack	m <sup>3</sup>	Kg
<b>02GTA01</b>	Corte pata a medida	-	-	-
<b>02CRU01</b>	Par de ruedas con freno	-	-	1



# SUSHI COMPONIBLE

## Porta CPU / Red cableado / Vértebra guíacables

### Acabado porta CPU:

Metacrilato opalino

### Acabado red cableado:

Material plástico ignífugo

### Acabado vértebra:

Metacrilato opalino

### Porta CPU

Código	Profundidad	Acabado	pack	m <sup>3</sup>	Kg
		Metacrilato opalino			
02CPU01	80		1	0,14	5,5
02CPU02	90		1	0,14	5,5
02CPU03	100		1	0,14	5,5
02CPU04	124		1	0,14	5,5
02CPU05	160		1	0,14	5,5

### Red cableado

Código	Profundidad	Acabado	pack	m <sup>3</sup>	Kg
		Material plástico ignífugo			
02RET01	80		1	0,07	1
02RET02	90		1	0,07	1
02RET03	100		1	0,07	1
02RET04	124		1	0,07	1

### Vértebra guíacables

Código	Profundidad	Acabado	pack	m <sup>3</sup>	Kg
		Metacrilato opalino			
02VER01			1	0,01	1,5

