

m o o o i

## Perch Light Wall

UMUT YAMAC



Made of folded paper and brass, the Perch evokes a feeling of freedom. Let the graceful bird swing and glow with joy. Just beware that it might just spread its wings and fly away...

---

### *Detailing*



This sunlit bird is free to swing when softly touched. It gently glows and brings along the promise of spring.

---

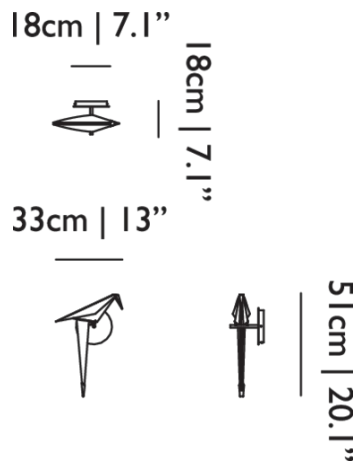
### *Colours*



Brass and white

# Perch Light Wall / Large non-dimmable

## Dimensions



## Product

**WIDTH** 33cm | 13"  
**HEIGHT** 51cm | 20.1"  
**DEPTH** 18cm | 7.1"  
**WEIGHT NETTO** 3kg | 6.61lbs

## Packaging

**WIDTH** 45.8cm | 18"  
**HEIGHT** 20cm | 7.9"  
**CUBAGE** 0.06m<sup>3</sup> | 2.23ft<sup>3</sup>  
**LENGTH** 69cm | 27.2"  
**WEIGHT** 2.5kg | 5.51lbs

---

## Technical CE

### MATERIAL

Steel and aluminium frame with polycarbonate (PC) and synthetic paper birds.

### ENERGY LABEL

B

### INSTALLATION REQUIRED

Yes

### LIGHTSOURCE TYPE

LED

### LIGHTSOURCE INCLUDED

Yes

### NUMBER OF LIGHTSOURCES

1

### INPUT VOLTAGE

90-264V

### FREQUENCY

50/60

### MAX POWER CONSUMPTION

5W

### LAMPHOLDER

LED (Solid state)

### LIFETIME

50000 hours

### CABLE COLOUR

Black

### CABLE LENGTH

260cm | 102.4"

### COLOUR TEMPERATURE

3000 K

### CRI

80

### LIGHT DIRECTION

All directions

### LIGHT OUTPUT

150 lm



---

## Technical UL

### MATERIAL

Steel and aluminium frame with polycarbonate (PC) and synthetic paper birds.

**ENERGY LABEL**

B

**LIGHTSOURCE TYPE**

LED

**NUMBER OF LIGHTSOURCES**

1

**FREQUENCY**

50/60

**LAMPHOLDER**

LED (Solid state)

**COLOUR TEMPERATURE**

3000 K

**LIGHT DIRECTION**

All directions

**INSTALLATION REQUIRED**

Yes

**LIGHTSOURCE INCLUDED**

Yes

**INPUT VOLTAGE**

100-240V

**MAX POWER CONSUMPTION**

5W

**LIFETIME**

50000 hours

**CRI**

80

**LIGHT OUTPUT**

150 lm



## Perch Light Wall / Recessed Large dimmable 1-10V

*Dimensions*

8cm | 2.8"



15cm | 5.9"

33cm | 13"



51cm | 20.1"

*Product***WIDTH** 33cm | 13"**HEIGHT** 51cm | 20.1"**DEPTH** 15cm | 5.9"**WEIGHT NETTO** 2kg | 4.4lbs*Packaging***WIDTH** 45.8cm | 18"**HEIGHT** 13.5cm | 5.3"**CUBAGE** 0.03m<sup>3</sup> | 1.23ft<sup>3</sup>**LENGTH** 56.5cm | 22.2"**WEIGHT** 2kg | 4.4lbs*Technical CE***ADDITIONAL**

The Perch Light Wall Recessed can be installed on drywalls only. Because of the size of the driver, it's not possible to mount it to a solid wall.

**MATERIAL**

Steel and aluminium frame with polycarbonate (PC) and synthetic paper birds.

**ENERGY LABEL**

B

**INSTALLATION REQUIRED**

Yes

**LIGHTSOURCE TYPE**

LED

**NUMBER OF LIGHTSOURCES**

1

**FREQUENCY**

50/60

**LAMPHOLDER**

LED (Solid state)

**COLOUR TEMPERATURE**

3000 K

**LIGHT OUTPUT**

150 lm

**LIGHTSOURCE INCLUDED**

Yes

**INPUT VOLTAGE**

180-240V

**MAX POWER CONSUMPTION**

5W

**LIFETIME**

50000 hours

**CRI**

80

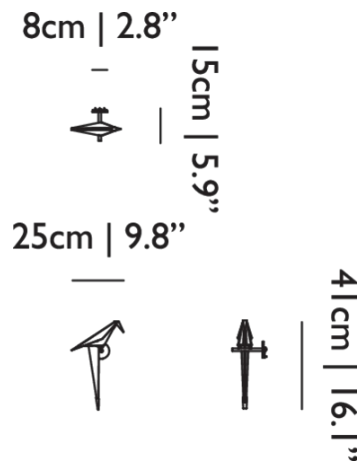
**DIMMING & LIGHTING CONTROL**

0-10V, 1-10V, Push / Pulse dim on Low Voltage (SELV), Potentiometer

*See last page for more information about the dimming possibilities.*

## Perch Light Wall / Recessed Small dimmable 1-10V

### Dimensions



### Product

**WIDTH** 25cm | 9.8"

**HEIGHT** 41cm | 16.1"

**DEPTH** 15cm | 5.9"

**WEIGHT NETTO** 2kg | 4.4lbs

### Packaging

**WIDTH** 45.8cm | 18"

**HEIGHT** 13.5cm | 5.3"

**CUBAGE** 0.03m<sup>3</sup> | 1.23ft<sup>3</sup>

**LENGTH** 56.5cm | 22.2"

**WEIGHT** 2kg | 4.4lbs

### Technical CE

**ADDITIONAL**

The Perch Light Wall Recessed can be installed on drywalls only. Because of the size of the driver, it's not possible to mount it to a solid wall.

**MATERIAL**

Steel and aluminium frame with polycarbonate (PC) and synthetic paper birds.

**ENERGY LABEL**

B

**INSTALLATION REQUIRED**

Yes

<b>LIGHTSOURCE TYPE</b>	LED	<b>LIGHTSOURCE INCLUDED</b>	Yes
<b>NUMBER OF LIGHTSOURCES</b>	1	<b>INPUT VOLTAGE</b>	180-240V
<b>FREQUENCY</b>	50/60	<b>MAX POWER CONSUMPTION</b>	5W
<b>LAMPHOLDER</b>	LED (Solid state)	<b>LIFETIME</b>	50000 hours
<b>COLOUR TEMPERATURE</b>	3000 K	<b>CRI</b>	80
<b>LIGHT DIRECTION</b>		<b>LIGHT OUTPUT</b>	150 lm

**DIMMING & LIGHTING CONTROL**

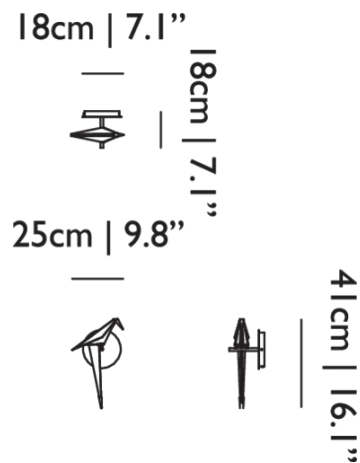
0-10V, 1-10V, Push / Pulse dim on Low Voltage (SELV), Potentiometer

*See last page for more information about the dimming possibilities.*



## Perch Light Wall / Small non-dimmable

### Dimensions



### Product

**WIDTH** 25cm | 9.8"  
**HEIGHT** 41cm | 16.1"  
**DEPTH** 18cm | 7.1"  
**WEIGHT NETTO** 3kg | 6.61lbs

### Packaging

**WIDTH** 45.8cm | 18"  
**HEIGHT** 20cm | 7.9"  
**CUBAGE** 0.07m<sup>3</sup> | 2.3ft<sup>3</sup>  
**LENGTH** 71cm | 28"  
**WEIGHT** 2.5kg | 5.51lbs

### Technical CE

**MATERIAL**

Steel and aluminium frame with polycarbonate (PC) and synthetic paper birds.

**ENERGY LABEL**

B

**INSTALLATION REQUIRED**

Yes

**LIGHTSOURCE TYPE**

LED

**LIGHTSOURCE INCLUDED**

Yes

**NUMBER OF LIGHTSOURCES**

1

**FREQUENCY**

50/60

**LAMPHOLDER**

LED (Solid state)

**CABLE COLOUR**

Black

**COLOUR TEMPERATURE**

3000 K

**LIGHT OUTPUT**

90 lm

**INPUT VOLTAGE**

90-264V

**MAX POWER CONSUMPTION**

5W

**LIFETIME**

50000 hours

**CABLE LENGTH**

260cm | 102.4"

**CRI**

80

---

*Technical UL***MATERIAL**

Steel and aluminium frame with polycarbonate (PC) and synthetic paper birds.

**ENERGY LABEL**

B

**INSTALLATION REQUIRED**

Yes

**LIGHTSOURCE TYPE**

LED

**LIGHTSOURCE INCLUDED**

Yes

**NUMBER OF LIGHTSOURCES**

1

**INPUT VOLTAGE**

100-240V

**FREQUENCY**

50/60

**MAX POWER CONSUMPTION**

5W

**LAMPHOLDER**

LED (Solid state)

**LIFETIME**

50000 hours

**COLOUR TEMPERATURE**

3000 K

**CRI**

80

**LIGHT OUTPUT**

90 lm



## *Dimming & Lighting Control*

### *0-10V*

The luminaire is dimmable by using an either internally mounted or externally placed 0-10V dimmer switch. 0-10V is a dimming system widely used in some parts of the world, for example in North-America. This method will need its own wiring. Dimming quality is perfect, without flicker, the range can be limited and the luminaire can be dimmed to off.

Compatible models: Recessed Large dimmable 1-10V CE, Recessed Small dimmable 1-10V CE

---

### *1-10V*

The luminaire is dimmable by using an either internally mounted or externally placed 1-10V dimmer switch. 1-10V is a dimming system widely used in some parts of the world, for example in North-America. This method will need its own wiring. Dimming quality is perfect, without flicker, the range can be limited and the luminaire cannot be dimmed to off. To turn off the luminaire a switch is needed.

Compatible models: Recessed Large dimmable 1-10V CE, Recessed Small dimmable 1-10V CE

---

### *Push / Pulse dim on Low Voltage (SELV)*

The luminaire is dimmable by using an either internally mounted or externally placed low voltage momentary switch or pushbutton switch. This switch will need its own low voltage wiring. The switch should be of the type 'normal off - momentary on'. The luminaire dims perfectly when the switch makes and holds contact. A short press switches between on and off.

Compatible models: Recessed Large dimmable 1-10V CE, Recessed Small dimmable 1-10V CE

---

### *Potentiometer*

The luminaire is dimmable by turning a potentiometer knob that is either internally mounted or externally placed. This dimmer will need its own low voltage wiring, hiring a professional installer is advised. The lamp is perfectly dimmable. Most knobs can be used to also turn the luminaire on/off.

Compatible models: Recessed Large dimmable 1-10V CE, Recessed Small dimmable 1-10V CE

---