

Choose the language

English

Italiano

Deutsch

Français

Español

MAKI

Sizes

Prof. 80 cm Depth 314/8"

80	114 cm 447/8"	→ Alucompact® → Pure-white → Glass
	114/154/194 cm 447/8/605/8/763/8"	→ Alucompact® → Pure-white → Glass
	139 cm 546/8"	→ Alucompact® → Pure-white → Glass
	139/179/219 cm 546/8/704/8/862/8"	→ Alucompact® → Pure-white → Glass
	166 cm 653/8"	→ Alucompact® → Pure-white → Glass
	166/206/246 cm 653/8/811/8/967/8"	→ Alucompact® → Pure-white → Glass *
	189 cm 743/8"	→ Alucompact® → Pure-white → Glass
	209 cm 822/8"	→ Alucompact® → Pure-white → Glass
	229 cm 901/8"	→ Alucompact® → Pure-white → Glass
	249 cm 98"	→ Alucompact® → Pure-white → Glass
	269 cm 1057/8"	→ Alucompact® → Pure-white → Glass
	289 cm 1136/8"	→ Alucompact® → Pure-white → Glass

Prof. 90 cm Depth 353/8"

90	114 cm 447/8"	→ Alucompact® → Pure-white → Glass
	139 cm 546/8"	→ Alucompact® → Pure-white → Fenix-NTM® → Glass → DEKTON®
	139/176/214 cm 546/8/692/8/842/8"	→ Alucompact® → Pure-white → Fenix-NTM® → Glass → DEKTON®
	166 cm 653/8"	→ Alucompact® → Pure-white → Fenix-NTM® → Glass → DEKTON®
	166/203/241/278 cm 653/8/797/8/947/8/1094/8"	→ Alucompact® → Pure-white → Fenix-NTM® → Glass
	166/203/241 cm 653/8/797/8/947/8"	→ DEKTON®
	166/201/236/271 cm 653/8/791/8/927/8/1066/8"	→ Wood
	189 cm 743/8"	→ Alucompact® → Pure-white → Fenix-NTM® → Glass → DEKTON® → Wood
	189/226/263 cm 743/8/89/1034/8"	→ Alucompact® → Pure-white → Fenix-NTM® → Glass
	189/226/263 cm 743/8/89/1034/8"	→ DEKTON®
	189/224/259/294 cm 743/8/882/8/102/1156/8"	→ Wood
	209 cm 822/8"	→ Alucompact® → Pure-white → Fenix-NTM® → Glass → Wood
	209/246/283 cm 822/8/967/8/1113/8"	→ Alucompact® → Pure-white → Fenix-NTM® → Glass *
	209/253/297 cm 822/8/995/8/1167/8"	→ Wood
	229 cm 901/8"	→ Alucompact® → Pure-white → Glass → Wood
	249 cm 98"	→ Alucompact® → Pure-white → Glass → Wood
	269 cm 1057/8"	→ Alucompact® → Pure-white → Glass → Wood
	289 cm 1136/8"	→ Alucompact® → Pure-white → Glass → Wood

Prof. 100 cm Depth 393/8"

100	139 cm 546/8"	→ Alucompact® → Pure-white → Glass
	166 cm 653/8"	→ Alucompact® → Pure-white → Fenix-NTM® → Glass → DEKTON®
	166/213/260 cm 653/8/837/8/1023/8"	→ Alucompact® → Pure-white → Fenix-NTM® → Glass *
	166/203/240 cm 653/8/797/8/944/8"	→ DEKTON®
	166/201/236/271 cm 653/8/791/8/927/8/1066/8"	→ Wood
	189 cm 743/8"	→ Alucompact® → Pure-white → Fenix-NTM® → Glass → DEKTON® → Wood
	189/236/283 cm 743/8/927/8/1113/8"	→ Alucompact® → Pure-white → Fenix-NTM® → Glass *
	189/226/263 cm 743/8/89/1034/8"	→ DEKTON®
	189/224/259/294 cm 743/8/882/8/102/1156/8"	→ Wood
	209 cm 822/8"	→ Alucompact® → Pure-white → Fenix-NTM® → Glass → Wood
	209/256/303 cm 822/8/1006/8/1192/8"	→ Alucompact® → Pure-white → Fenix-NTM® → Glass *
	209/253/297 cm 822/8/995/8/1167/8"	→ Wood
	229 cm 901/8"	→ Alucompact® → Pure-white → Glass → DEKTON® → Wood
	249 cm 98"	→ Alucompact® → Pure-white → Glass → Wood
	269 cm 1057/8"	→ Alucompact® → Pure-white → Glass → DEKTON® → Wood
	289 cm 1136/8"	→ Alucompact® → Pure-white → Glass → Wood

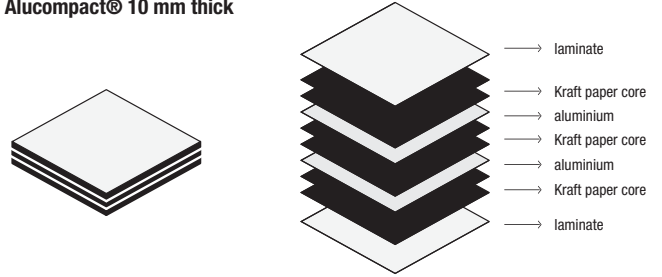
* = 3rd additional extension (on request)

Tops

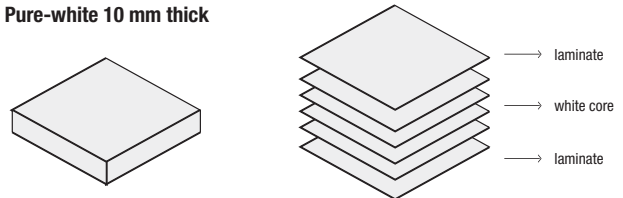
Prof. 124 cm
Depth 483/8"

124	209 cm 82 2/8"	→ Alucompact® → Pure-white → Glass
	229 cm 90 1/8"	→ Alucompact® → Pure-white → Glass
	277 cm 109"	→ Alucompact® → Pure-white → Glass

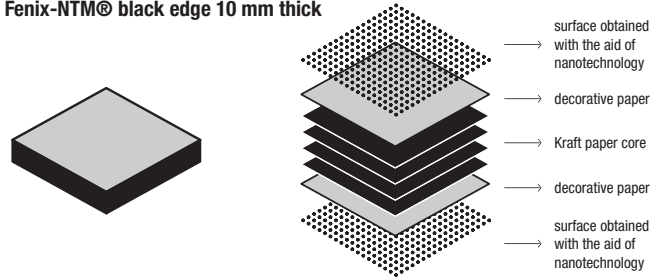
Alucompact® 10 mm thick



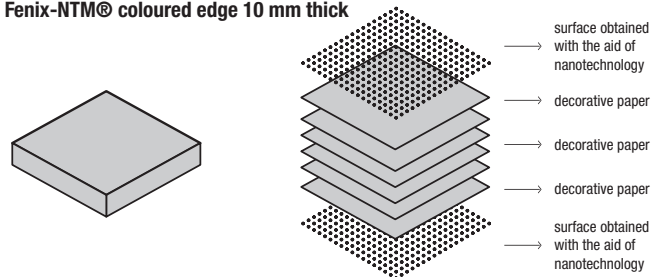
Pure-white 10 mm thick



Fenix-NTM® black edge 10 mm thick



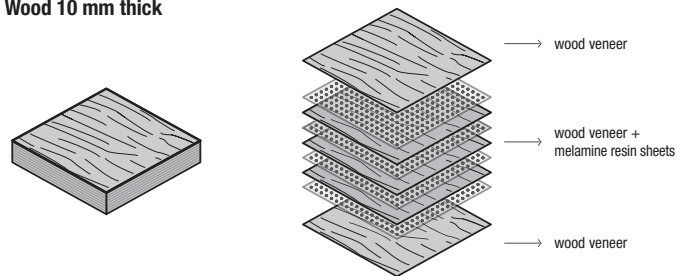
Fenix-NTM® coloured edge 10 mm thick



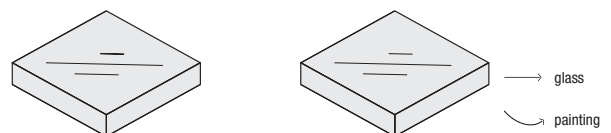
DEKTON® by Cosentino 8 mm thick



Wood 10 mm thick



Glass 10 mm thick



MAKI ALUcompact® / PURE-WHITE

Extensible - Depth 80 cm

Leg finish:

White lacquered aluminium (similar to RAL 9016)
 "Alucompact® sand grey" lacquered aluminium (similar to RAL 9002)
 "Alucompact® anthracite grey" lacquered aluminium (similar to RAL 7015)
 Black lacquered aluminium (similar to RAL 9004)

Finish of top/extensions:

Alucompact® laminate (white, sand grey, anthracite grey, black)

Pure-white laminate

Note:

For tables with codes marked with an asterisk (*), a third extension can be added to further increase the length.

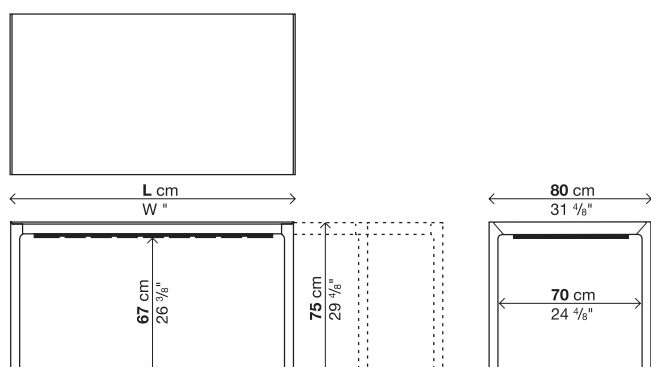
Important: sizes and finishes marked with (!) require longer production lead time, about 6 weeks from the date of the order.

Reinforced packaging, see inside cover.

Code	Lenght	Legs	Top		pack	m ²	Kg
			Alucompact®	Pure-white (!)			
01MAK01	114-154-194	Lacquered			3	0,32	63
01MAK02	139-179-219	Lacquered			3	0,37	69
01MAK07*	166-206-246	Lacquered			3	0,42	75

(*) 3rd additional extension

Code	Lenght	Top		pack	m ²	Kg
		Alucompact®	Pure-white			
50SUS5A	33 cm			1	0,03	6



MAKI ALUCOMPACT® / PURE-WHITE

Fixed - Depth 80 cm

Leg finish:

White lacquered aluminium (similar to RAL 9016)

"Alucompact® sand grey" lacquered aluminium (similar to RAL 9002)

"Alucompact® anthracite grey" lacquered aluminium (similar to RAL 7015)

Black lacquered aluminium (similar to RAL 9004)

Finish of top:

Alucompact® laminate (white, sand grey, anthracite grey, black)

Pure-white laminate

Note:

Important: sizes and finishes marked with (!) require longer production lead time, about 6 weeks from the date of the order.

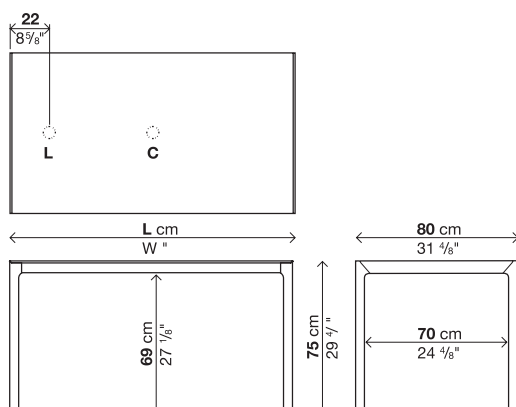
Tables that extend to more than 250 cm have a top that slightly bends, which complies with accepted quality standards.

Reinforced packaging, see inside cover.

Code	Lenght	Legs	Top		pack	m ³	Kg
			Alucompact®	Pure-white			
01MAK01F	114	Lacquered			1	0,27	43
01MAK02F	139	Lacquered			1	0,32	49
01MAK28F	166 (!)	Lacquered			1	0,37	55
01MAK33F	189 (!)	Lacquered			1	0,41	60
01MAK35F	209 (!)	Lacquered			1	0,45	64
01MAK37F	229 (!)	Lacquered			1	0,49	68
01MAK43F	249 (!)	Lacquered			1	0,53	73
01MAK45F	269 (!)	Lacquered			1	0,57	76
01MAK47F	289 (!)	Lacquered			1	0,61	80

Optionals

Code	Description	pack	m ²	Kg
02FOR01	Lateral or central cable hole Ø6	-	-	-
02RET01	Plastic cable mesh	1	0,07	1
02VER01	Vertebra, opal white methacrylate	1	0,007	1,5
02CPU01	CPU unit, opal white methacrylate	1	0,14	5,5



MAKI ALUCOMPACT® / PURE-WHITE / FENIX-NTM®

Extensible - Depth 90 cm

Leg finish:

White lacquered aluminium (similar to RAL 9016)
 "Alucompact® sand grey" lacquered aluminium (similar to RAL 9002)
 "Alucompact® anthracite grey" lacquered aluminium (similar to RAL 7015)
 Black lacquered aluminium (similar to RAL 9004)
 Olive green lacquered aluminium (colour reference "Olive green polyurethane P008")

Finish of top/extensions:

Alucompact® laminate (white, sand grey, anthracite grey, black)

 Pure-white laminate

 Fenix-NTM® black edge (white Kos 0032, London grey 0718, Bromo grey 0724, Ingo black 0720)

 Fenix-NTM® coloured edge (white Kos 0032, London grey 0718)

Note:

For tables with codes marked with an asterisk (*), a third extension can be added to further increase the length.

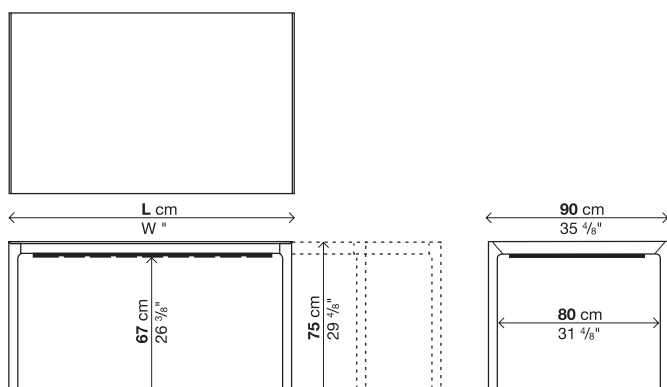
Important: sizes and finishes marked with (!) require longer production lead time, about 6 weeks from the date of the order.

Reinforced packaging, see inside cover.

Code	Lenght	Legs	Top				pack	m ²	Kg
			Alucompact®	Fenix-NTM® black edge	Pure-white	Fenix-NTM® coloured edge			
01MAK03	139-176-214	Lacquered					3	0,41	79
01MAK04	166-203-241-278 3 rd standard extension	Lacquered					4	0,5	89
01MAK08*	189-226-263	Lacquered					3	0,51	90
01MAK30*	209-246-283	Lacquered					3	0,55	96

(*) 3rd additional extension

Code	Lenght	Top				pack	m ²	Kg
		Alucompact®	Fenix-NTM® black edge	Pure-white	Fenix-NTM® coloured edge			
50SUS2A	37,5 cm					1	0,03	6,5



MAKI ALUCOMPACT® / PURE-WHITE / FENIX-NTM®

Fixed - Depth 90 cm

Leg finish:

White lacquered aluminium (similar to RAL 9016)
 "Alucompact® sand grey" lacquered aluminium (similar to RAL 9002)
 "Alucompact® anthracite grey" lacquered aluminium (similar to RAL 7015)
 Black lacquered aluminium (similar to RAL 9004)
 Olive green lacquered aluminium (colour reference "Olive green polyurethane P008")

Finish of top:

Alucompact® laminate (white, sand grey, anthracite grey, black)

 Pure-white laminate

 Fenix-NTM® black edge (white Kos 0032, London grey 0718, Bromo grey 0724, Ingo black 0720)

 Fenix-NTM® coloured edge (white Kos 0032, London grey 0718)

Note:

Important: sizes and finishes marked with (!) require longer production lead time, about 6 weeks from the date of the order.

Tables that extend to more than 250 cm have a top that slightly bends, which complies with accepted quality standards.

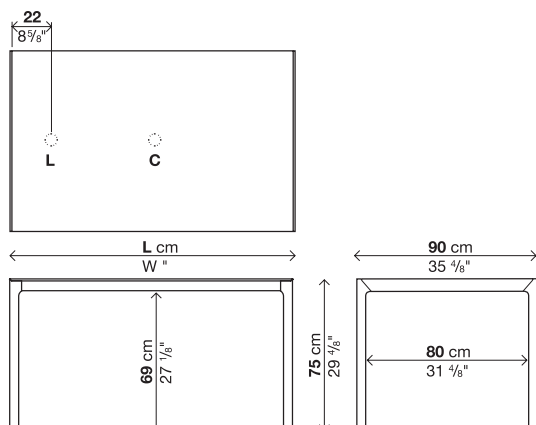
Table L. 269 and 289 cm have an under-top bars as a central support, therefore any cable hole cutouts cannot be centrally positioned in depth but must be slightly shifted.

Reinforced packaging, see inside cover.

Code	Lenght	Legs	Top				pack	m ³	Kg
			Alucompact®	Fenix-NTM® black edge	Pure-white	Fenix-NTM® coloured edge			
01MAK51F	114	Lacquered		-		-	1	0,3	49
01MAK03F	139	Lacquered					1	0,36	54
01MAK04F	166	Lacquered					1	0,42	60
01MAK53F	189	Lacquered					1	0,46	65
01MAK30F	209	Lacquered					1	0,5	70
01MAK55F	229 (!)	Lacquered		-		-	1	0,55	74
01MAK57F	249 (!)	Lacquered		-		-	1	0,59	79
01MAK59F	269 (!)	Lacquered		-		-	1	0,63	87
01MAK61F	289 (!)	Lacquered		-		-	1	0,67	93

Optionals

Code	Description	pack	m ³	Kg
02FOR01	Lateral or central cable hole Ø6	-	-	-
02RET02	Plastic cable mesh	1	0,07	1
02VER01	Vertebra, opal white methacrylate	1	0,007	1,5
02CPU02	CPU unit, opal white methacrylate	1	0,14	5,5



MAKI ALUCOMPACT® / PURE-WHITE / FENIX-NTM®

Extensible - Depth 100 cm

Leg finish:

White lacquered aluminium (similar to RAL 9016)
 "Alucompact® sand grey" lacquered aluminium (similar to RAL 9002)
 "Alucompact® anthracite grey" lacquered aluminium (similar to RAL 7015)
 Black lacquered aluminium (similar to RAL 9004)
 Olive green lacquered aluminium (colour reference "Olive green polyurethane P008")

Finish of top/extensions:

Alucompact® laminate (white, sand grey, anthracite grey, black)

 Pure-white laminate

 Fenix-NTM® black edge (white Kos 0032, London grey 0718, Bromo grey 0724, Ingo black 0720)

 Fenix-NTM® coloured edge (white Kos 0032, London grey 0718)

Note:

For tables with codes marked with an asterisk (*), a third extension can be added to further increase the length.

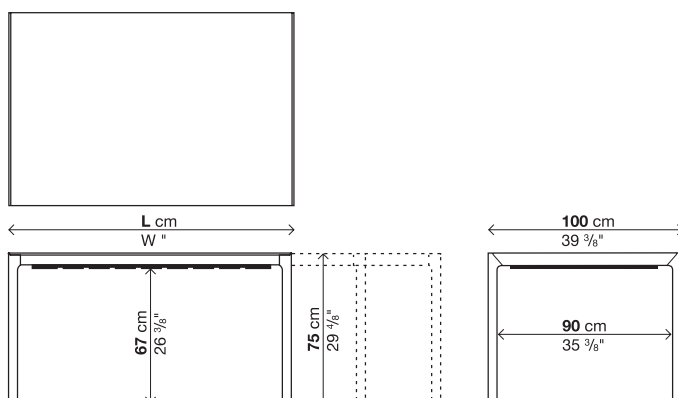
Important: sizes and finishes marked with (!) require longer production lead time, about 6 weeks from the date of the order.

Reinforced packaging, see inside cover.

Code	Lenght	Legs	Top				pack	m ³	Kg
			Alucompact®	Fenix-NTM® black edge	Pure-white	Fenix-NTM® coloured edge			
01MAK05*	166-213-260	Lacquered					3	0,52	93
01MAK09*	189-236-283	Lacquered					3	0,57	100
01MAK06*	209-256-303	Lacquered					3	0,62	106

(*) 3rd additional extension

Code	Lenght	Top				pack	m ³	Kg
		Alucompact®	Fenix-NTM® black edge	Pure-white	Fenix-NTM® coloured edge			
50SUS6A	33 cm					1	0,03	6



MAKI ALUCOMPACT® / PURE-WHITE / FENIX-NTM®

Fixed - Depth 100 cm

Leg finish:

White lacquered aluminium (similar to RAL 9016)
 "Alucompact® sand grey" lacquered aluminium (similar to RAL 9002)
 "Alucompact® anthracite grey" lacquered aluminium (similar to RAL 7015)
 Black lacquered aluminium (similar to RAL 9004)
 Olive green lacquered aluminium (colour reference "Olive green polyurethane P008")

Finish of top:

Alucompact® laminate (white, sand grey, anthracite grey, black)

 Pure-white laminate

 Fenix-NTM® black edge (white Kos 0032, London grey 0718, Bromo grey 0724, Ingo black 0720)

 Fenix-NTM® coloured edge (white Kos 0032, London grey 0718)

Note:

Important: sizes and finishes marked with (!) require longer production lead time, about 6 weeks from the date of the order.

Tables that extend to more than 250 cm have a top that slightly bends, which complies with accepted quality standards.

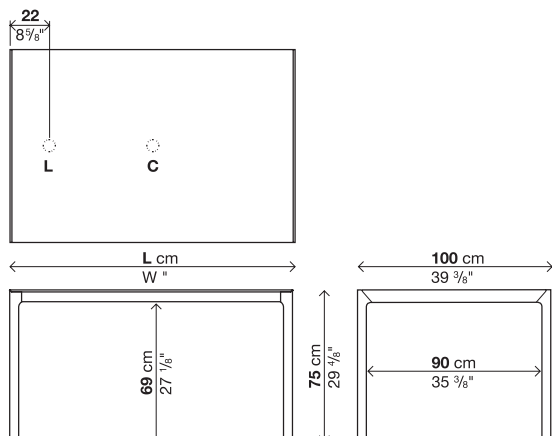
Table L. 269 and 289 cm have an under-top bars as a central support, therefore any cable hole cutouts cannot be centrally positioned in depth but must be slightly shifted.

Reinforced packaging, see inside cover.

Code	Lenght	Legs	Top				pack	m ³	Kg
			Alucompact®	Fenix-NTM® black edge	Pure-white	Fenix-NTM® coloured edge			
01MAK65F	139	Lacquered		-		-	1	0,39	58
01MAK05F	166	Lacquered					1	0,45	64
01MAK07F	189	Lacquered					1	0,5	70
01MAK06F	209	Lacquered					1	0,55	75
01MAK08F	229 (!)	Lacquered		-		-	1	0,6	80
01MAK67F	249 (!)	Lacquered		-		-	1	0,65	85
01MAK69F	269 (!)	Lacquered		-		-	1	0,69	63
01MAK32F	289 (!)	Lacquered		-		-	1	0,74	98

Optionals

Code	Description	pack	m ³	Kg
02FOR01	Lateral or central cable hole Ø6	-	-	-
02RET03	Plastic cable mesh	1	0,07	1
02VER01	Vertebra, opal white methacrylate	1	0,007	1,5
02CPU03	CPU unit, opal white methacrylate	1	0,14	5,5



MAKI ALUCOMPACT® / PURE-WHITE

Fixed - Depth 124 cm

Leg finish:

White lacquered aluminium (similar to RAL 9016)
 "Alucompact® sand grey" lacquered aluminium (similar to RAL 9002)
 "Alucompact® anthracite grey" lacquered aluminium (similar to RAL 7015)
 Black lacquered aluminium (similar to RAL 9004)
 Olive green lacquered aluminium (colour reference "Olive green polyurethane P008")

Finish of top:

Alucompact® laminate (white, sand grey, anthracite grey, black)

 Pure-white laminate

Note:

Important: sizes and finishes marked with (!) require longer production lead time, about 6 weeks from the date of the order.

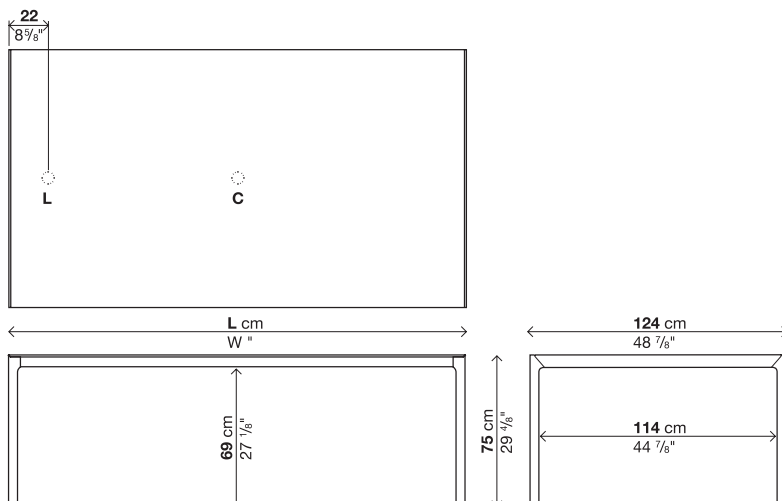
Tables that extend to more than 250 cm have a top that slightly bends, which complies with accepted quality standards.

Reinforced packaging, see inside cover.

Code	Lenght	Legs	Top		pack	m ²	Kg
			Alucompact®	Pure-white			
01MAK71F	209 (!)	Lacquered			1	0,66	94
01MAK73F	229 (!)	Lacquered			1	0,72	100
01MAK75F	277 (!)	Lacquered			1	0,85	116

Optionals

Code	Description	pack	m ²	Kg
02FOR01	Lateral or central cable hole Ø6	-	-	-
02RET04	Plastic cable mesh	1	0,07	1
02VER01	Vertebra, opal white methacrylate	1	0,007	1,5
02CPU04	CPU unit, opal white methacrylate	1	0,14	5,5



MAKI DEKTON® BY COSENTINO

Extensible - Depth 90 cm

Leg finish:

White lacquered aluminium (similar to RAL 9016)

"Ventus grey" lacquered aluminium

Olive green lacquered aluminium (colour reference "Olive green polyurethane P008")

Finish of top:

DEKTON® Zenith white

DEKTON® Ventus grey

DEKTON® Aura (digital marble)

Finish of extensions:

White lacquered aluminium (similar to RAL 9016)

"Ventus grey" lacquered aluminium

Note:

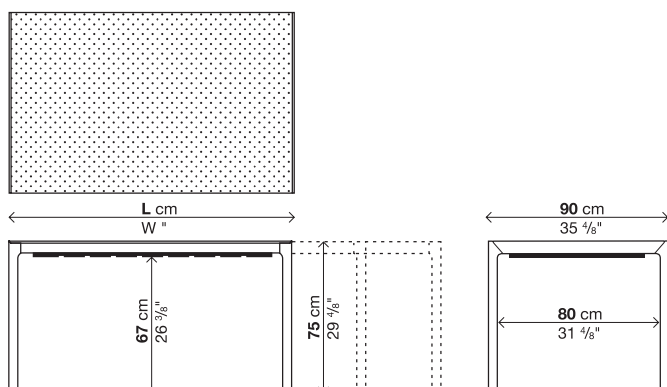
Important: the grain pattern reproduced on the surface of DEKTON® Aura (digital marble) tops is random, a special feature that makes each top unique and original. This characteristic implies possible differences to samples that are not to be considered imperfections or irregularities. Due to their random nature, uniform grain patterns cannot be requested.

Important: sizes and finishes marked with (!) require longer production lead time, about 6 weeks from the date of the order.

Tables that extend to more than 250 cm have a top that slightly bends, which complies with accepted quality standards.

Reinforced packaging, see inside cover.

Code	Lenght	Legs	Top	pack	m ²	Kg
			DEKTON®			
01MAK03	139-176-214 (!)	Lacquered		3	0,41	97
01MAK04	166-203-241 (!)	Lacquered		3	0,5	110
01MAK08	189-226-263 (!)	Lacquered		3	0,51	113



MAKI DEKTON® BY COSENTINO

Fixed - Depth 90 cm

Leg finish:

White lacquered aluminium (similar to RAL 9016)

"Ventus grey" lacquered aluminium

Olive green lacquered aluminium (colour reference "Olive green polyurethane P008")

Finish of top:

DEKTON® Zenith white

DEKTON® Ventus grey

DEKTON® Aura (digital marble)

Note:

Important: the grain pattern reproduced on the surface of DEKTON® Aura (digital marble) tops is random, a special feature that makes each top unique and original. This characteristic implies possible differences to samples that are not to be considered imperfections or irregularities. Due to their random nature, uniform grain patterns cannot be requested.

Important: sizes and finishes marked with (!) require longer production lead time, about 6 weeks from the date of the order.

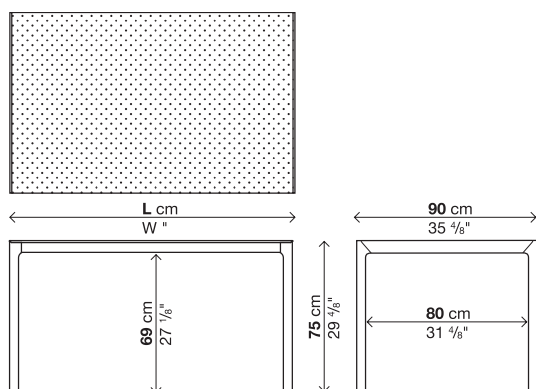
Tables that extend to more than 250 cm have a top that slightly bends, which complies with accepted quality standards.

Reinforced packaging, see inside cover.

Code	Lenght	Legs	Top	pack	m ³	Kg
			DEKTON®			
01MAK03F	139 (!)	Lacquered		1	0,36	68
01MAK04F	166 (!)	Lacquered		1	0,42	77
01MAK53F	189 (!)	Lacquered		1	0,46	84

Optionals

Code	Description	pack	m ³	Kg
02RET02	Plastic cable mesh	1	0,07	1
02VER01	Vertebra, opal white methacrylate	1	0,007	1,5
02CPU02	CPU unit, opal white methacrylate	1	0,14	5,5



HIGHLY UV
RESISTANT



RESISTANT TO
ABRASION



RESISTANT
TO STAIN



MAXIMUM
RESISTANCE
TO FIRE AND HEAT



LOW
WATER
ABSORPTION



HIGH
MECHANICAL
RESISTANCE



COLOUR
STABILITY



DIMENSIONAL
STABILITY



FIREPROOF
MATERIAL

MAKI DEKTON® BY COSENTINO

Extensible - Depth 100 cm

Leg finish:

White lacquered aluminium (similar to RAL 9016)

"Ventus grey" lacquered aluminium

Olive green lacquered aluminium (colour reference "Olive green polyurethane P008")

Finish of top:

DEKTON® Zenith white

DEKTON® Ventus grey

DEKTON® Aura (digital marble)

Finish of extensions:

White lacquered aluminium (similar to RAL 9016)

"Ventus grey" lacquered aluminium

Note:

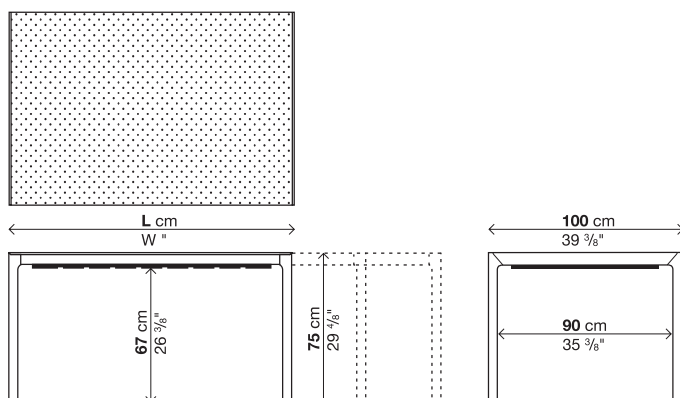
Important: the grain pattern reproduced on the surface of DEKTON® Aura (digital marble) tops is random, a special feature that makes each top unique and original. This characteristic implies possible differences to samples that are not to be considered imperfections or irregularities. Due to their random nature, uniform grain patterns cannot be requested.

Important: sizes and finishes marked with (!) require longer production lead time, about 6 weeks from the date of the order.

Tables that extend to more than 250 cm have a top that slightly bends, which complies with accepted quality standards.

Reinforced packaging, see inside cover.

Code	Lenght	Legs	Top	pack	m ²	Kg
			DEKTON®			
01MAK05	166-203-240 (!)	Lacquered		3	0,52	116
01MAK09	189-226-263 (!)	Lacquered		3	0,57	126



MAKI DEKTON® BY COSENTINO

Fixed - Depth 100 cm

Leg finish:

White lacquered aluminium (similar to RAL 9016)

"Ventus grey" lacquered aluminium

Olive green lacquered aluminium (colour reference "Olive green polyurethane P008")

Finish of top:

DEKTON® Zenith white

DEKTON® Ventus grey

DEKTON® Aura (digital marble)

Note:

Important: the grain pattern reproduced on the surface of DEKTON® Aura (digital marble) tops is random, a special feature that makes each top unique and original. This characteristic implies possible differences to samples that are not to be considered imperfections or irregularities. Due to their random nature, uniform grain patterns cannot be requested.

Important: sizes and finishes marked with (!) require longer production lead time, about 6 weeks from the date of the order.

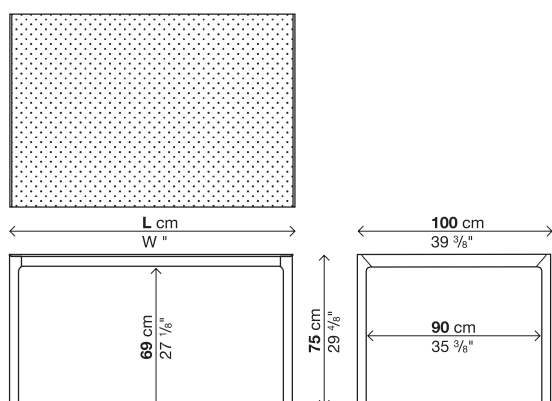
Tables that extend to more than 250 cm have a top that slightly bends, which complies with accepted quality standards.

Reinforced packaging, see inside cover.

Code	Lenght	Legs	Top	pack	m ³	Kg
			DEKTON®			
01MAK05F	166 (!)	Lacquered		1	0,45	82
01MAK07F	189 (!)	Lacquered		1	0,5	91
01MAK08F	229 (!)	Lacquered		1	0,6	105
01MAK69F	269 (!)	Lacquered		1	0,69	123

Optionals

Code	Description	pack	m ³	Kg
02RET03	Plastic cable mesh	1	0,07	1
02VER01	Vertebra, opal white methacrylate	1	0,007	1,5
02CPU03	CPU unit, opal white methacrylate	1	0,14	5,5



HIGHLY UV RESISTANT



RESISTANT TO ABRASION



RESISTANT TO STAIN



MAXIMUM RESISTANCE TO FIRE AND HEAT



LOW WATER ABSORPTION



HIGH MECHANICAL RESISTANCE



COLOUR STABILITY



DIMENSIONAL STABILITY



FIREPROOF MATERIAL

MAKI WOOD

Extensible - Depth 90 cm

Base finish:

White lacquered aluminium (similar to Ral 9016)
 "Alucompact® sand grey" lacquered aluminium (similar to Ral 9002)
 "Alucompact® anthracite grey" lacquered aluminium (similar to Ral 7015)
 "Fenix-NTM® London grey" lacquered aluminium (similar to Ral Design0805005)
 Black lacquered aluminium (similar to Ral 9004)
 Olive green lacquered aluminium (colour reference "Olive green polyurethane P008")

Finish of top/extensions:

Wood, european oak effect
 Wood, walnut effect
 Wood, black oak effect

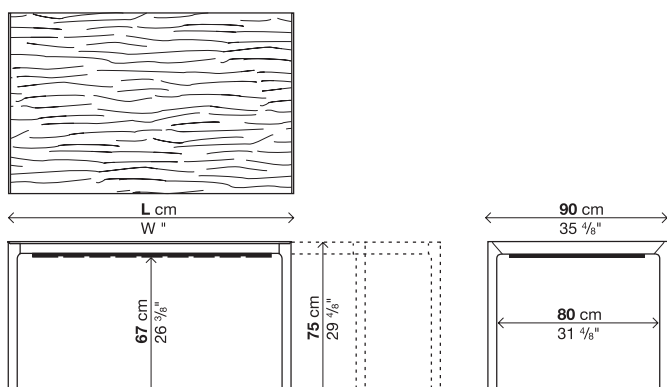
Note:

Important: sizes and finishes marked with (!) require longer production lead time, about 6 weeks from the date of the order.

Tables that extend to more than 250 cm have a top that slightly bends, which complies with accepted quality standards.

Reinforced packaging, see inside cover.

Code	Lenght	Legs	Top	pack	m ³	Kg
			Wood			
01MAK04	166-201-236-271 with three extensions	Lacquered		4	0,5	89
01MAK08	189-224-259-294 with three extensions	Lacquered		4	0,54	96,5
01MAK30	209-253-297 (!) with two extensions	Lacquered		3	0,55	96



MAKI WOOD

Fixed - Depth 90 cm

Base finish:

White lacquered aluminium (similar to Ral 9016)
 "Alucompact® sand grey" lacquered aluminium (similar to Ral 9002)
 "Alucompact® anthracite grey" lacquered aluminium (similar to Ral 7015)
 "Fenix-NTM® London grey" lacquered aluminium (similar to Ral Design0805005)
 Black lacquered aluminium (similar to Ral 9004)
 Olive green lacquered aluminium (colour reference "Olive green polyurethane P008")

Finish of top:

Wood, european oak effect
 Wood, walnut effect
 Wood, black oak effect

Note:

Important: sizes and finishes marked with (!) require longer production lead time, about 6 weeks from the date of the order.

Tables that extend to more than 250 cm have a top that slightly bends, which complies with accepted quality standards.

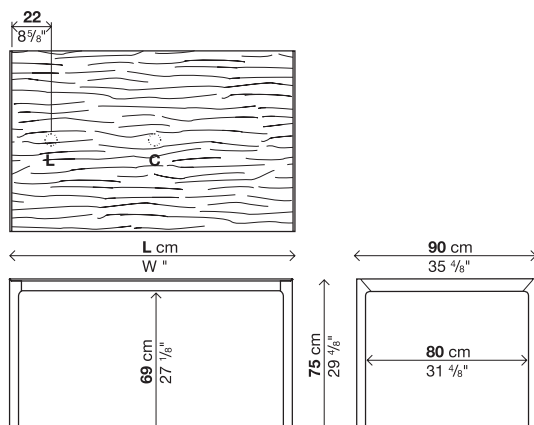
Table L. 269 and 289 cm have an under-top bars as a central support, therefore any cable hole cutouts cannot be centrally positioned in depth but must be slightly shifted.

Reinforced packaging, see inside cover.

Code	Lenght	Legs	Top	pack	m ³	Kg
			Wood			
01MAK53F	189	Lacquered		1	0,46	65
01MAK30F	209 (!)	Lacquered		1	0,5	70
01MAK55F	229 (!)	Lacquered		1	0,55	74
01MAK57F	249 (!)	Lacquered		1	0,59	79
01MAK59F	269 (!)	Lacquered		1	0,63	87
01MAK61F	289 (!)	Lacquered		1	0,67	93

Optionals

Code	Description	pack	m ³	Kg
02FOR01	Lateral or central cable hole Ø6	-	-	-
02RET02	Plastic cable mesh	1	0,07	1
02VER01	Vertebra, opal white methacrylate	1	0,007	1,5
02CPU02	CPU unit, opal white methacrylate	1	0,14	5,5



MAKI WOOD

Extensible - Depth 100 cm

Base finish:

White lacquered aluminium (similar to Ral 9016)
 "Alucompact® sand grey" lacquered aluminium (similar to Ral 9002)
 "Alucompact® anthracite grey" lacquered aluminium (similar to Ral 7015)
 "Fenix-NTM® London grey" lacquered aluminium (similar to Ral Design0805005)
 Black lacquered aluminium (similar to Ral 9004)
 Olive green lacquered aluminium (colour reference "Olive green polyurethane P008")

Finish of top/extensions:

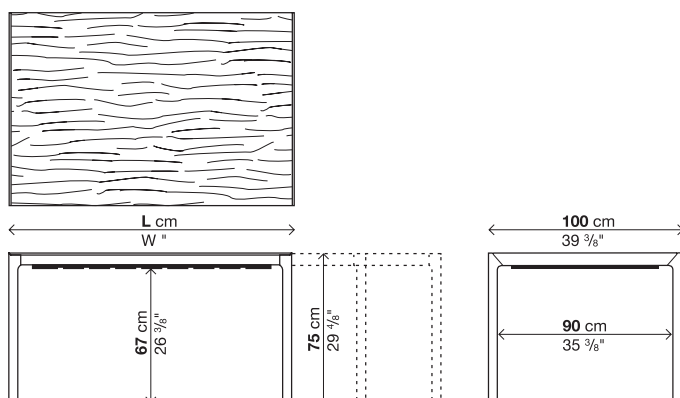
Wood, european oak effect
 Wood, walnut effect
 Wood, black oak effect

Note:

Tables that extend to more than 250 cm have a top that slightly bends, which complies with accepted quality standards.

Reinforced packaging, see inside cover.

Code	Lenght	Legs	Top	pack	m ³	Kg
			Wood			
01MAK05	166-201-236-271 with three extensions	Lacquered		4	0,55	91
01MAK09	189-224-259-294 with three extensions	Lacquered		4	0,6	98
01MAK06	209-253-297 with two extensions	Lacquered		3	0,62	98



MAKI WOOD

Fixed - Depth 100 cm

Base finish:

White lacquered aluminium (similar to Ral 9016)
 "Alucompact® sand grey" lacquered aluminium (similar to Ral 9002)
 "Alucompact® anthracite grey" lacquered aluminium (similar to Ral 7015)
 "Fenix-NTM® London grey" lacquered aluminium (similar to Ral Design0805005)
 Black lacquered aluminium (similar to Ral 9004)
 Olive green lacquered aluminium (colour reference "Olive green polyurethane P008")

Finish of top:

Wood, european oak effect
 Wood, walnut effect
 Wood, black oak effect

Note:

Important: sizes and finishes marked with (!) require longer production lead time, about 6 weeks from the date of the order.

Tables that extend to more than 250 cm have a top that slightly bends, which complies with accepted quality standards.

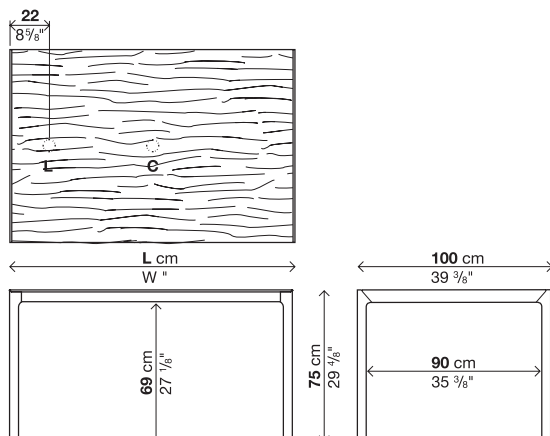
Table L. 269 and 289 cm have an under-top bars as a central support, therefore any cable hole cutouts cannot be centrally positioned in depth but must be slightly shifted.

Reinforced packaging, see inside cover.

Code	Lenght	Legs	Top	pack	m ³	Kg
			Wood			
01MAK07F	189	Lacquered		1	0,5	70
01MAK06F	209	Lacquered		1	0,55	75
01MAK08F	229 (!)	Lacquered		1	0,6	80
01MAK67F	249 (!)	Lacquered		1	0,65	85
01MAK69F	269 (!)	Lacquered		1	0,69	93
01MAK32F	289 (!)	Lacquered		1	0,74	98

Optionals

Code	Description	pack	m ³	Kg
02FOR01	Lateral or central cable hole Ø6	-	-	-
02RET02	Plastic cable mesh	1	0,07	1
02VER01	Vertebra, opal white methacrylate	1	0,007	1,5
02CPU03	CPU unit, opal white methacrylate	1	0,14	5,5



MAKI GLASS

Extensible - Depth 80 cm

Leg finish:

White lacquered aluminium (similar to RAL 9016)

Black lacquered aluminium (similar to RAL 9004)

Finish of top:

Gloss glass in colours: extra white, anthracite grey, black, titanium

Matt glass in colours: extra white, anthracite grey, black, titanium

Finish of extensions:

White Alucompact® laminate

Sand grey Alucompact® laminate

Anthracite grey Alucompact® laminate

Black Alucompact® laminate

Note:

For tables with codes marked with an asterisk (*), a third extension can be added to further increase the length.

Important: sizes and finishes marked with (!) require longer production lead time, about 6 weeks from the date of the order.

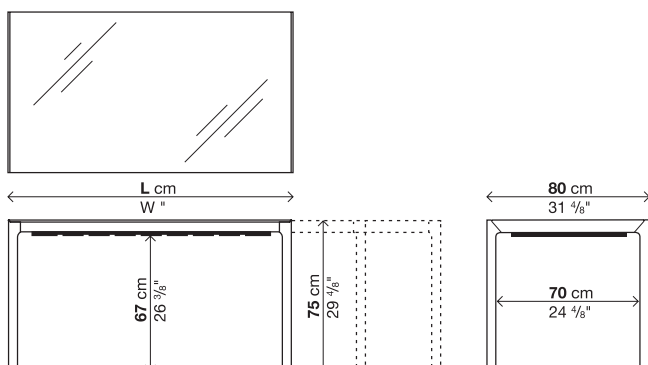
Tables that extend to more than 250 cm have a top that slightly bends, which complies with accepted quality standards.

Reinforced packaging, see inside cover.

Code	Lenght	Legs	Top		pack	m ³	Kg
			Gloss glass	Matt glass			
01MAK11	114-154-194	Lacquered			3	0,32	72
01MAK12	139-179-219	Lacquered			3	0,37	80
01MAK16*	166-206-246	Lacquered			3	0,42	87

(*) 3rd additional extension

Code	Lenght	Top		pack	m ³	Kg
		Alucompact®				
50SUS5A	33 cm			1	0,03	6



MAKI GLASS

Fixed - Depth 80 cm

Leg finish:

White lacquered aluminium (similar to RAL 9016)

Black lacquered aluminium (similar to RAL 9004)

Finish of top:

Gloss glass in colours: extra white, anthracite grey, black, titanium

Matt glass in colours: extra white, anthracite grey, black, titanium

Note:

Important: sizes and finishes marked with (!) require longer production lead time, about 6 weeks from the date of the order.

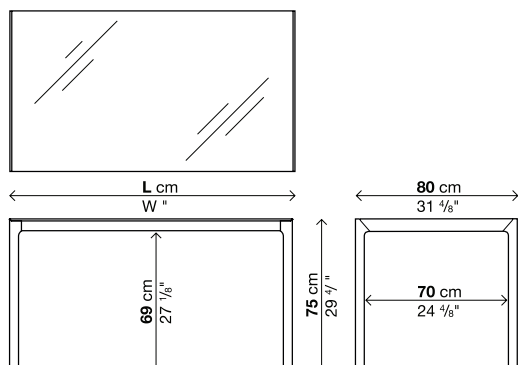
Tables that extend to more than 250 cm have a top that slightly bends, which complies with accepted quality standards.

Reinforced packaging, see inside cover.

Code	Lenght	Legs	Top		pack	m ²	Kg
			Gloss glass	Matt glass			
01MAK11F	114	Lacquered			1	0,27	52
01MAK12F	139	Lacquered			1	0,32	60
01MAK29F	166	Lacquered			1	0,37	66
01MAK34F	189	Lacquered			1	0,41	74
01MAK36F	209	Lacquered			1	0,45	80
01MAK38F	229 (!)	Lacquered			1	0,49	85
01MAK44F	249 (!)	Lacquered			1	0,53	91
01MAK46F	269 (!)	Lacquered			1	0,57	96
01MAK48F	289 (!)	Lacquered			1	0,61	102

Optionals

Code	Description	pack	m ²	Kg
02RET01	Plastic cable mesh	1	0,07	1
02VER01	Vertebra, opal white methacrylate	1	0,007	1,5
02CPU01	CPU unit, opal white methacrylate	1	0,14	5,5



MAKI GLASS

Extensible - Depth 90 cm

Leg finish:

White lacquered aluminium (similar to RAL 9016)

Black lacquered aluminium (similar to RAL 9004)

Finish of top:

Gloss glass in colours: extra white, anthracite grey, black, titanium

Matt glass in colours: extra white, anthracite grey, black, titanium

Finish of extensions:

White Alucompact® laminate

Sand grey Alucompact® laminate

Anthracite grey Alucompact® laminate

Black Alucompact® laminate

Note:

For tables with codes marked with an asterisk (*), a third extension can be added to further increase the length.

Important: sizes and finishes marked with (!) require longer production lead time, about 6 weeks from the date of the order.

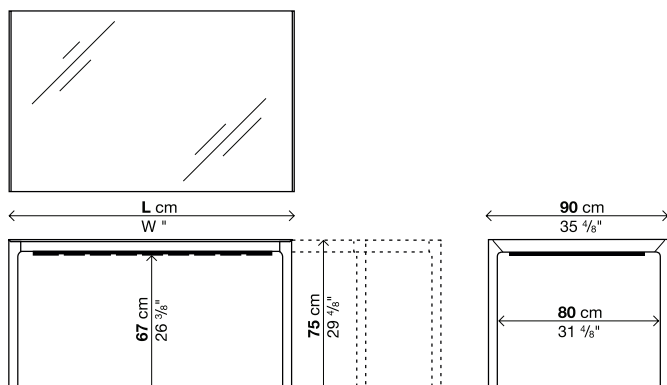
Tables that extend to more than 250 cm have a top that slightly bends, which complies with accepted quality standards.

Reinforced packaging, see inside cover.

Code	Lenght	Legs	Top		pack	m ²	Kg
			Gloss glass	Matt glass			
01MAK13	139-176-214	Lacquered			3	0,41	89
01MAK14	166-203-241-278 3 rd standard extension	Lacquered			4	0,5	104
01MAK18*	189-226-263	Lacquered			3	0,51	106
01MAK40*	209-246-283	Lacquered			3	0,55	113

(*) 3rd additional extension

Code	Lenght	Top		pack	m ²	Kg
		Alucompact®				
50SUS2A	37,5 cm			1	0,03	6,5



MAKI GLASS

Fixed - Depth 90 cm

Leg finish:

White lacquered aluminium (similar to RAL 9016)

Black lacquered aluminium (similar to RAL 9004)

Finish of top:

Gloss glass in colours: extra white, anthracite grey, black, titanium

Matt glass in colours: extra white, anthracite grey, black, titanium

Note:

Important: sizes and finishes marked with (!) require longer production lead time, about 6 weeks from the date of the order.

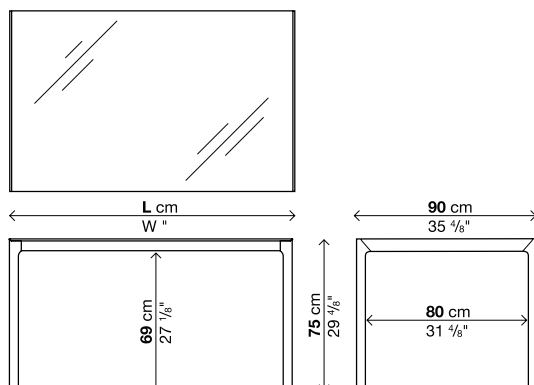
Tables that extend to more than 250 cm have a top that slightly bends, which complies with accepted quality standards.

Reinforced packaging, see inside cover.

Code	Lenght	Legs	Top		pack	m ³	Kg
			Gloss glass	Matt glass			
01MAK52F	114	Lacquered			1	0,3	59
01MAK13F	139	Lacquered			1	0,36	66
01MAK14F	166	Lacquered			1	0,42	75
01MAK54F	189	Lacquered			1	0,46	82
01MAK40F	209	Lacquered			1	0,5	88
01MAK56F	229 (!)	Lacquered			1	0,55	94
01MAK58F	249 (!)	Lacquered			1	0,59	100
01MAK60F	269 (!)	Lacquered			1	0,63	111
01MAK62F	289 (!)	Lacquered			1	0,67	117

Optionals

Code	Description	pack	m ³	Kg
02RET02	Plastic cable mesh	1	0,07	1
02VER01	Vertebra, opal white methacrylate	1	0,007	1,5
02CPU02	CPU unit, opal white methacrylate	1	0,14	5,5



MAKI GLASS

Extensible - Depth 100 cm

Leg finish:

White lacquered aluminium (similar to RAL 9016)

Black lacquered aluminium (similar to RAL 9004)

Finish of top:

Gloss glass in colours: extra white, anthracite grey, black, titanium

Matt glass in colours: extra white, anthracite grey, black, titanium

Finish of extensions:

White Alucompact® laminate

Sand grey Alucompact® laminate

Anthracite grey Alucompact® laminate

Black Alucompact® laminate

Note:

For tables with codes marked with an asterisk (*), a third extension can be added to further increase the length.

Important: sizes and finishes marked with (!) require longer production lead time, about 6 weeks from the date of the order.

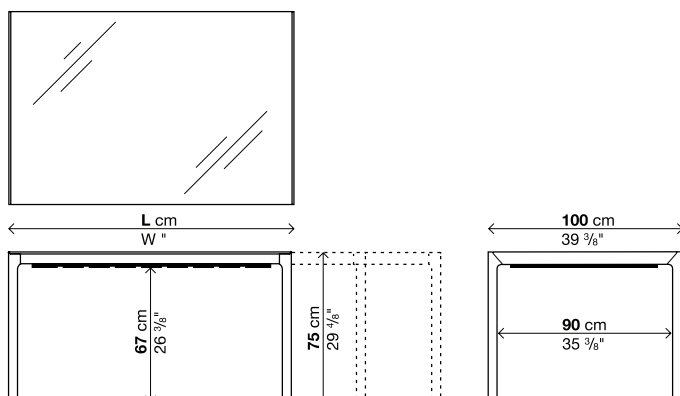
Tables that extend to more than 250 cm have a top that slightly bends, which complies with accepted quality standards.

Reinforced packaging, see inside cover.

Code	Lenght	Legs	Top		pack	m ³	Kg
			Gloss glass	Matt glass			
01MAK15*	166-213-260	Lacquered			3	0,52	109
01MAK19*	189-236-283	Lacquered			3	0,57	116
01MAK17*	209-256-303	Lacquered			3	0,62	126

(*) 3rd additional extension

Code	Lenght	Top		pack	m ³	Kg
		Alucompact®				
50SUS6A	33 cm			1	0,03	6



MAKI GLASS

Fixed - Depth 100 cm

Leg finish:

White lacquered aluminium (similar to RAL 9016)

Black lacquered aluminium (similar to RAL 9004)

Finish of top:

Gloss glass in colours: extra white, anthracite grey, black, titanium

Matt glass in colours: extra white, anthracite grey, black, titanium

Note:

Important: sizes and finishes marked with (!) require longer production lead time, about 6 weeks from the date of the order.

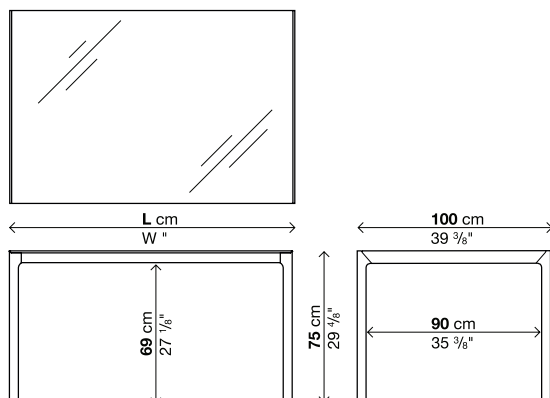
Tables that extend to more than 250 cm have a top that slightly bends, which complies with accepted quality standards.

Reinforced packaging, see inside cover.

Code	Lenght	Legs	Top		pack	m ³	Kg
			Gloss glass	Matt glass			
01MAK66F	139	Lacquered			1	0,39	71
01MAK15F	166	Lacquered			1	0,45	80
01MAK18F	189	Lacquered			1	0,5	88
01MAK17F	209	Lacquered			1	0,55	94
01MAK19F	229 (!)	Lacquered			1	0,6	101
01MAK68F	249 (!)	Lacquered			1	0,65	108
01MAK70F	269 (!)	Lacquered			1	0,69	118
01MAK42F	289 (!)	Lacquered			1	0,74	126

Optionals

Code	Description	pack	m ³	Kg
02RET03	Plastic cable mesh	1	0,07	1
02VER01	Vertebra, opal white methacrylate	1	0,007	1,5
02CPU03	CPU unit, opal white methacrylate	1	0,14	5,5



MAKI GLASS

Fixed - Depth 124 cm

Leg finish:

White lacquered aluminium (similar to RAL 9016)

Black lacquered aluminium (similar to RAL 9004)

Finish of top:

Gloss glass in colours: extra white, anthracite grey, black, titanium

Matt glass in colours: extra white, anthracite grey, black, titanium

Note:

Important: sizes and finishes marked with (!) require longer production lead time, about 6 weeks from the date of the order.

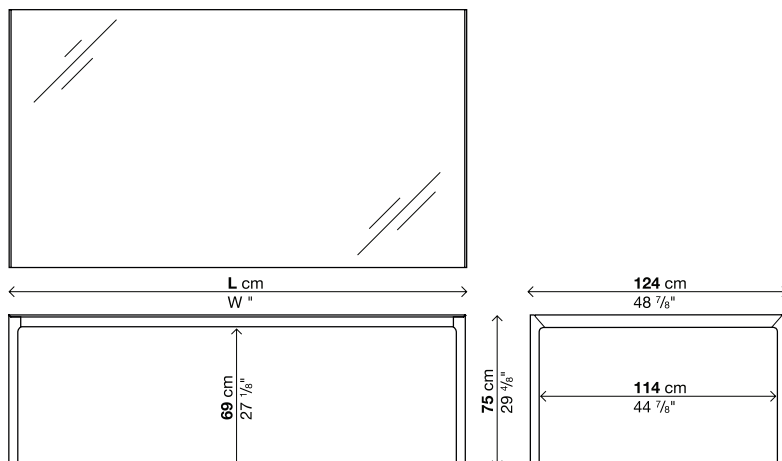
Tables that extend to more than 250 cm have a top that slightly bends, which complies with accepted quality standards.

Reinforced packaging, see inside cover.

Code	Lenght	Legs	Top		pack	m ³	Kg
			Gloss glass	Matt glass			
01MAK72F	209 (!)	Lacquered			1	0,66	117
01MAK74F	229 (!)	Lacquered			1	0,72	126
01MAK76F	277 (!)	Lacquered			1	0,85	148

Optionals

Code	Description	pack	m ³	Kg
02RET04	Plastic cable mesh	1	0,07	1
02VER01	Vertebra, opal white methacrylate	1	0,007	1,5
02CPU04	CPU unit, opal white methacrylate	1	0,14	5,5



Legenda dimensioni

Prof. 80 cm Depth 314/8"

80	114 cm 447/8"	→ Alucompact® → Pure-white → Vetro
	114/154/194 cm 447/8/605/8/763/8"	→ Alucompact® → Pure-white → Vetro
	139 cm 546/8"	→ Alucompact® → Pure-white → Vetro
	139/179/219 cm 546/8/704/8/862/8"	→ Alucompact® → Pure-white → Vetro
	166 cm 653/8"	→ Alucompact® → Pure-white → Vetro
	166/206/246 cm 653/8/811/8/967/8"	→ Alucompact® → Pure-white → Vetro *
	189 cm 743/8"	→ Alucompact® → Pure-white → Vetro
	209 cm 822/8"	→ Alucompact® → Pure-white → Vetro
	229 cm 901/8"	→ Alucompact® → Pure-white → Vetro
	249 cm 98"	→ Alucompact® → Pure-white → Vetro
	269 cm 1057/8"	→ Alucompact® → Pure-white → Vetro
	289 cm 1136/8"	→ Alucompact® → Pure-white → Vetro

Prof. 90 cm Depth 353/8"

90	114 cm 447/8"	→ Alucompact® → Pure-white → Vetro
	139 cm 546/8"	→ Alucompact® → Pure-white → Fenix-NTM® → Vetro → DEKTON®
	139/176/214 cm 546/8/692/8/842/8"	→ Alucompact® → Pure-white → Fenix-NTM® → Vetro → DEKTON®
	166 cm 653/8"	→ Alucompact® → Pure-white → Fenix-NTM® → Vetro → DEKTON®
	166/203/241/278 cm 653/8/797/8/947/8/1094/8"	→ Alucompact® → Pure-white → Fenix-NTM® → Vetro
	166/203/241 cm 653/8/797/8/947/8"	→ DEKTON®
	166/201/236/271 cm 653/8/791/8/927/8/1066/8"	→ Legno
	189 cm 743/8"	→ Alucompact® → Pure-white → Fenix-NTM® → Vetro → DEKTON® → Legno
	189/226/263 cm 743/8/89/1034/8"	→ Alucompact® → Pure-white → Fenix-NTM® → Vetro *
	189/226/263 cm 743/8/89/1034/8"	→ DEKTON®
	189/224/259/294 cm 743/8/882/8/102/1156/8"	→ Legno
	209 cm 822/8"	→ Alucompact® → Pure-white → Fenix-NTM® → Vetro → Legno
	209/246/283 cm 822/8/967/8/1113/8"	→ Alucompact® → Pure-white → Fenix-NTM® → Vetro *
	209/253/297 cm 822/8/995/8/1167/8"	→ Legno
	229 cm 901/8"	→ Alucompact® → Pure-white → Vetro → Legno
	249 cm 98"	→ Alucompact® → Pure-white → Vetro → Legno
	269 cm 1057/8"	→ Alucompact® → Pure-white → Vetro → Legno
	289 cm 1136/8"	→ Alucompact® → Pure-white → Vetro → Legno

Prof. 100 cm Depth 393/8"

100	139 cm 546/8"	→ Alucompact® → Pure-white → Vetro
	166 cm 653/8"	→ Alucompact® → Pure-white → Fenix-NTM® → Vetro → DEKTON®
	166/213/260 cm 653/8/837/8/1023/8"	→ Alucompact® → Pure-white → Fenix-NTM® → Vetro *
	166/203/240 cm 653/8/797/8/944/8"	→ DEKTON®
	166/201/236/271 cm 653/8/791/8/927/8/1066/8"	→ Legno
	189 cm 743/8"	→ Alucompact® → Pure-white → Fenix-NTM® → Vetro → DEKTON® → Legno
	189/236/283 cm 743/8/927/8/1113/8"	→ Alucompact® → Pure-white → Fenix-NTM® → Vetro *
	189/226/263 cm 743/8/89/1034/8"	→ DEKTON®
	189/224/259/294 cm 743/8/882/8/102/1156/8"	→ Legno
	209 cm 822/8"	→ Alucompact® → Pure-white → Fenix-NTM® → Vetro → Legno
	209/256/303 cm 822/8/1006/8/1192/8"	→ Alucompact® → Pure-white → Fenix-NTM® → Vetro *
	209/253/297 cm 822/8/995/8/1167/8"	→ Legno
	229 cm 901/8"	→ Alucompact® → Pure-white → Vetro → DEKTON® → Legno
	249 cm 98"	→ Alucompact® → Pure-white → Vetro → Legno
	269 cm 1057/8"	→ Alucompact® → Pure-white → Vetro → DEKTON® → Legno
	289 cm 1136/8"	→ Alucompact® → Pure-white → Vetro → Legno

* = 3° prolunga aggiuntiva (a richiesta)

Piani

Prof. 124 cm
Depth 48 3/8"

124

209 cm
82 2/8"

- Alucompact®
- Pure-white
- Vetro

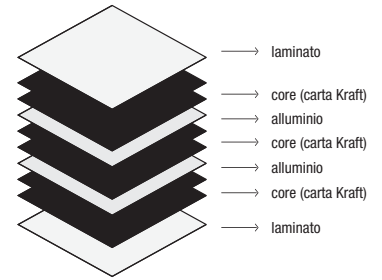
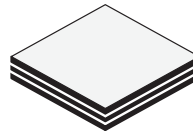
229 cm
90 1/8"

- Alucompact®
- Pure-white
- Vetro

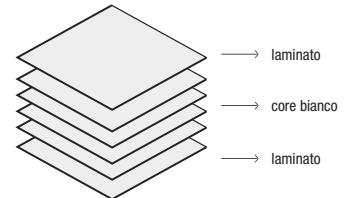
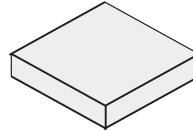
277 cm
109"

- Alucompact®
- Pure-white
- Vetro

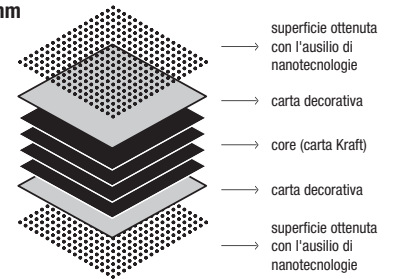
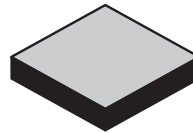
Alucompact® Sp. 10 mm



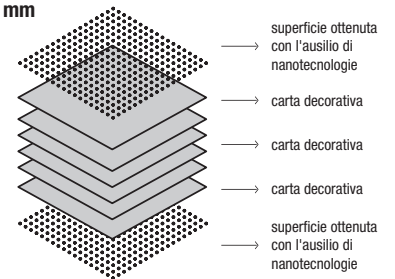
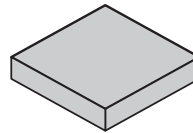
Pure-white Sp. 10 mm



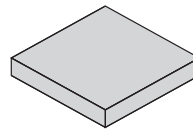
Fenix-NTM® bordo nero Sp. 10 mm



Fenix-NTM® bordo colore Sp. 10 mm

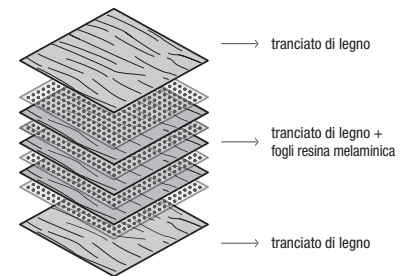
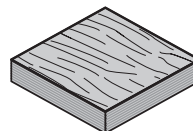


DEKTON® by Cosentino Sp. 8 mm

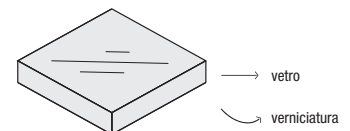
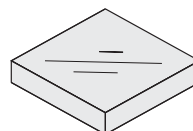


Dekton è una sofisticata miscela di materie prime utilizzate per la creazione di vetro, ceramica di ultima generazione e superfici in quarzo di altissima qualità

Legno Sp. 10 mm



Vetro Sp. 10 mm



MAKI ALUcompact® / PURE-WHITE

Allungabile - Profondità 80 cm

Finitura gambe:

Alluminio verniciato bianco (simile al RAL 9016)
Alluminio verniciato "Alucompact® grigio sabbia" (simile al RAL 9002)
Alluminio verniciato "Alucompact® grigio antracite" (simile al RAL 7015)
Alluminio verniciato nero (simile al RAL 9004)

Finitura piano/prolunghe:

Laminato Alucompact® (bianco, grigio sabbia, grigio antracite, nero)

Laminato Pure-white bianco

Note:

Nei tavoli con i codici contrassegnati con l'asterisco (*) c'è la possibilità di aggiungere la terza prolunga per aumentare ulteriormente l'allungo.

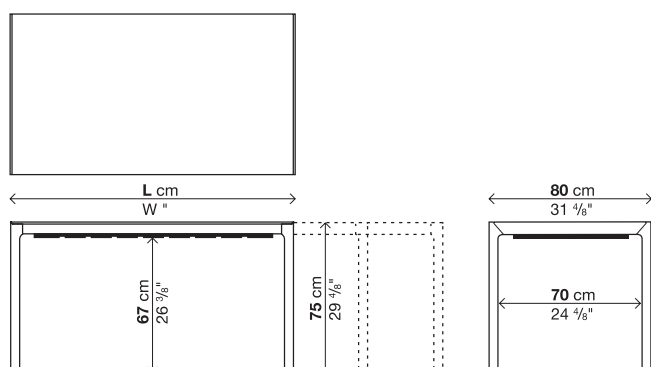
Attenzione: le misure o le finiture contrassegnate con (!) hanno tempi di produzione più lunghi, circa 6 settimane dalla data dell'ordine.

Imballi rinforzati vedi interno di copertina.

Codice	Lunghezza	Gambe	Piano		colli	m ³	Kg
			Alucompact®	Pure-white (!)			
01MAK01	114-154-194	Verniciato			3	0,32	63
01MAK02	139-179-219	Verniciato			3	0,37	69
01MAK07*	166-206-246	Verniciato			3	0,42	75

(*) 3^a prolunga aggiuntiva

Codice	Lunghezza	Piano		colli	m ³	Kg
		Alucompact®	Pure-white			
50SUS5A	33 cm			1	0,03	6



MAKI ALUCOMPACT® / PURE-WHITE

Fisso - Profondità 80 cm

Finitura gambe:

Alluminio verniciato bianco (simile al RAL 9016)

Alluminio verniciato "Alucompact® grigio sabbia" (simile al RAL 9002)

Alluminio verniciato "Alucompact® grigio antracite" (simile al RAL 7015)

Alluminio verniciato nero (simile al RAL 9004)

Finitura piano:

Laminato Alucompact® (bianco, grigio sabbia, grigio antracite, nero)

Laminato Pure-white bianco

Note:

Attenzione: le misure o le finiture contrassegnate con (!) hanno tempi di produzione più lunghi, circa 6 settimane dalla data dell'ordine.

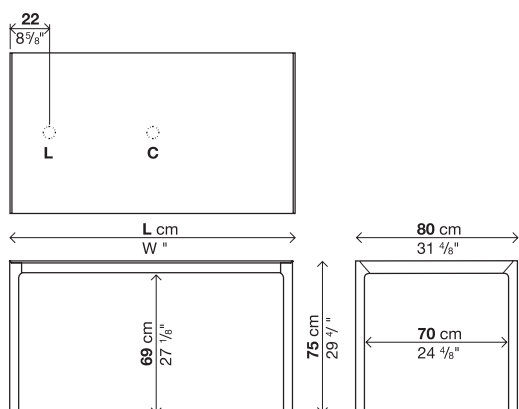
I tavoli che in estensione superano i 250 cm presentano una leggera flessione del piano, che rientra negli standard di qualità accettati.

Imballi rinforzati vedi interno di copertina.

Codice	Lunghezza	Gambe	Piano		colli	m ³	Kg
			Alucompact®	Pure-white			
01MAK01F	114	Verniciato			1	0,27	43
01MAK02F	139	Verniciato			1	0,32	49
01MAK28F	166 (!)	Verniciato			1	0,37	55
01MAK33F	189 (!)	Verniciato			1	0,41	60
01MAK35F	209 (!)	Verniciato			1	0,45	64
01MAK37F	229 (!)	Verniciato			1	0,49	68
01MAK43F	249 (!)	Verniciato			1	0,53	73
01MAK45F	269 (!)	Verniciato			1	0,57	76
01MAK47F	289 (!)	Verniciato			1	0,61	80

Optionals

Codice	Descrizione	colli	m ³	Kg
02FOR01	Foro passacavi laterale o centrale Ø6	-	-	-
02RET01	Rete cablaggio in materiale plastico	1	0,07	1
02VER01	Vertebra metacrilato opalino	1	0,007	1,5
02CPU01	Porta CPU in metacrilato opalino	1	0,14	5,5



MAKI ALUCOMPACT® / PURE-WHITE / FENIX-NTM®

Allungabile - Profondità 90 cm

Finitura gambe:

Alluminio verniciato bianco (simile al RAL 9016)
Alluminio verniciato "Alucompact® grigio sabbia" (simile al RAL 9002)
Alluminio verniciato "Alucompact® grigio antracite" (simile al RAL 7015)
Alluminio verniciato nero (simile al RAL 9004)
Alluminio verniciato verde oliva (riferimento colore "Poliuretano verde oliva P008")

Finitura piano/prolunghe:

Laminato Alucompact® (bianco, grigio sabbia, grigio antracite, nero)

Laminato Pure-white bianco

Fenix-NTM® bordo nero (bianco Kos 0032, grigio Londra 0718, grigio Bromo 0724, nero Ingo 0720)

Fenix-NTM® bordo colore (bianco Kos 0032, grigio Londra 0718)

Note:

Nei tavoli con i codici contrassegnati con l'asterisco (*) c'è la possibilità di aggiungere la terza prolunga per aumentare ulteriormente l'allungo.

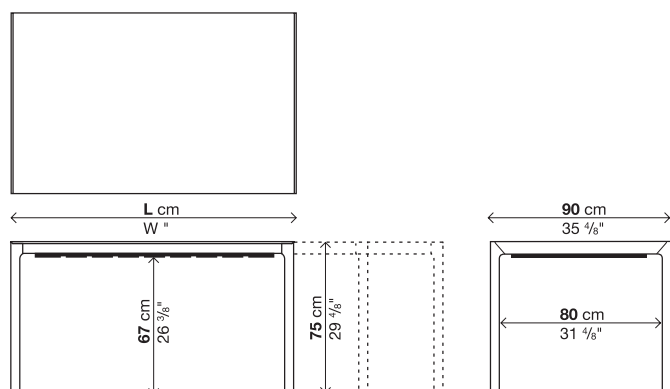
Attenzione: le misure o le finiture contrassegnate con (!) hanno tempi di produzione più lunghi, circa 6 settimane dalla data dell'ordine.

Imballi rinforzati vedi interno di copertina.

Codice	Lunghezza	Gambe	Piano				colli	m ²	Kg
			Alucompact®	Fenix-NTM® bordo nero	Pure-white	Fenix-NTM® bordo colore			
01MAK03	139-176-214	Verniciato					3	0,41	79
01MAK04	166-203-241-278 3ª prolunga di serie	Verniciato					4	0,5	89
01MAK08*	189-226-263	Verniciato					3	0,51	90
01MAK30*	209-246-283	Verniciato					3	0,55	96

(*) 3ª prolunga aggiuntiva

Codice	Lunghezza	Piano				colli	m ²	Kg
		Alucompact®	Fenix-NTM® bordo nero	Pure-white	Fenix-NTM® bordo colore			
50SUS2A	37,5 cm					1	0,03	6,5



MAKI ALUCOMPACT® / PURE-WHITE / FENIX-NTM®

Fisso - Profondità 90 cm

Finitura gambe:

Alluminio verniciato bianco (simile al RAL 9016)
 Alluminio verniciato "Alucompact® grigio sabbia" (simile al RAL 9002)
 Alluminio verniciato "Alucompact® grigio antracite" (simile al RAL 7015)
 Alluminio verniciato nero (simile al RAL 9004)
 Alluminio verniciato verde oliva (riferimento colore "Poliuretano verde oliva P008")

Finitura piano:

Laminato Alucompact® (bianco, grigio sabbia, grigio antracite, nero)

 Laminato Pure-white bianco

 Fenix-NTM® bordo nero (bianco Kos 0032, grigio Londra 0718, grigio Bromo 0724, nero Ingo 0720)

 Fenix-NTM® bordo colore (bianco Kos 0032, grigio Londra 0718)

Note:

Attenzione: le misure o le finiture contrassegnate con (!) hanno tempi di produzione più lunghi, circa 6 settimane dalla data dell'ordine.

I tavoli che in estensione superano i 250 cm presentano una leggera flessione del piano, che rientra negli standard di qualità accettati.

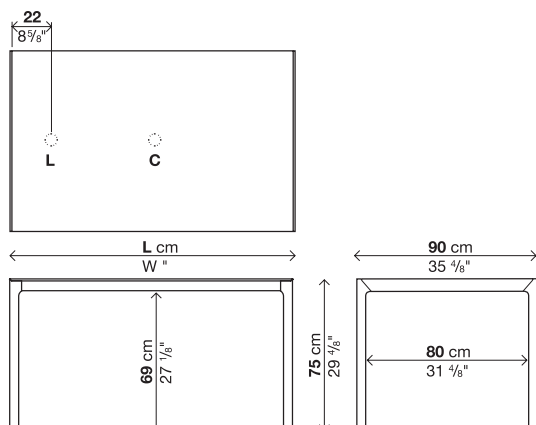
I tavoli di lunghezza 269 e 289 cm presentano una trafilata sottopiano di supporto centrale, pertanto eventuali fori passacavi non potranno essere posizionati centrati nella profondità ma lievemente spostati.

Imballi rinforzati vedi interno di copertina.

Codice	Lunghezza	Gambe	Piano				colli	m ³	Kg
			Alucompact®	Fenix-NTM® bordo nero	Pure-white	Fenix-NTM® bordo colore			
01MAK51F	114	Verniciato		-		-	1	0,3	49
01MAK03F	139	Verniciato					1	0,36	54
01MAK04F	166	Verniciato					1	0,42	60
01MAK53F	189	Verniciato					1	0,46	65
01MAK30F	209	Verniciato					1	0,5	70
01MAK55F	229 (!)	Verniciato		-		-	1	0,55	74
01MAK57F	249 (!)	Verniciato		-		-	1	0,59	79
01MAK59F	269 (!)	Verniciato		-		-	1	0,63	87
01MAK61F	289 (!)	Verniciato		-		-	1	0,67	93

Optionals

Codice	Descrizione	colli	m ³	Kg
02FOR01	Foro passacavi laterale o centrale Ø6	-	-	-
02RET02	Rete cablaggio in materiale plastico	1	0,07	1
02VER01	Vertebra metacrilato opalino	1	0,007	1,5
02CPU02	Porta CPU in metacrilato opalino	1	0,14	5,5



MAKI ALUcompact® / PURE-WHITE / FENIX-NTM®

Allungabile - Profondità 100 cm

Finitura gambe:

Alluminio verniciato bianco (simile al RAL 9016)
Alluminio verniciato "Alucompact® grigio sabbia" (simile al RAL 9002)
Alluminio verniciato "Alucompact® grigio antracite" (simile al RAL 7015)
Alluminio verniciato nero (simile al RAL 9004)
Alluminio verniciato verde oliva (riferimento colore "Poliuretano verde oliva P008")

Finitura piano/prolunghe:

Laminato Alucompact® (bianco, grigio sabbia, grigio antracite, nero)

Laminato Pure-white bianco

Fenix-NTM® bordo nero (bianco Kos 0032, grigio Londra 0718, grigio Bromo 0724, nero Ingo 0720)

Fenix-NTM® bordo colore (bianco Kos 0032, grigio Londra 0718)

Note:

Nei tavoli con i codici contrassegnati con l'asterisco (*) c'è la possibilità di aggiungere la terza prolunga per aumentare ulteriormente l'allungo.

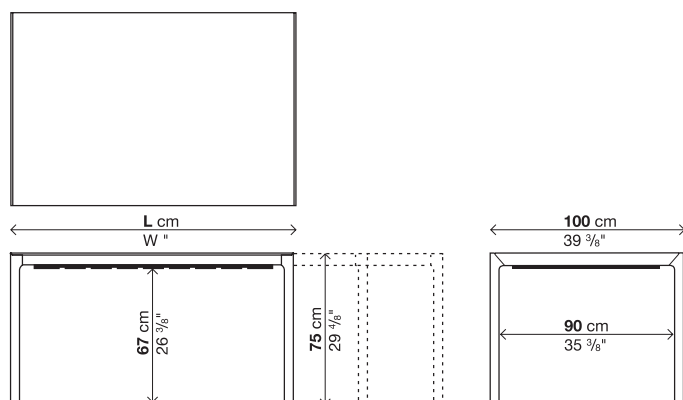
Attenzione: le misure o le finiture contrassegnate con (!) hanno tempi di produzione più lunghi, circa 6 settimane dalla data dell'ordine.

Imballi rinforzati vedi interno di copertina.

Codice	Lunghezza	Gambe	Piano				colli	m ³	Kg
			Alucompact®	Fenix-NTM® bordo nero	Pure-white	Fenix-NTM® bordo colore			
01MAK05*	166-213-260	Verniciato					3	0,52	93
01MAK09*	189-236-283	Verniciato					3	0,57	100
01MAK06*	209-256-303	Verniciato					3	0,62	106

(*) 3ª prolunga aggiuntiva

Codice	Lunghezza	Piano				colli	m ³	Kg
		Alucompact®	Fenix-NTM® bordo nero	Pure-white	Fenix-NTM® bordo colore			
50SUS6A	33 cm					1	0,03	6



MAKI ALUCOMPACT® / PURE-WHITE / FENIX-NTM®

Fisso - Profondità 100 cm

Finitura gambe:

Alluminio verniciato bianco (simile al RAL 9016)
 Alluminio verniciato "Alucompact® grigio sabbia" (simile al RAL 9002)
 Alluminio verniciato "Alucompact® grigio antracite" (simile al RAL 7015)
 Alluminio verniciato nero (simile al RAL 9004)
 Alluminio verniciato verde oliva (riferimento colore "Poliuretano verde oliva P008")

Finitura piano:

Laminato Alucompact® (bianco, grigio sabbia, grigio antracite, nero)

 Laminato Pure-white bianco

 Fenix-NTM® bordo nero (bianco Kos 0032, grigio Londra 0718, grigio Bromo 0724, nero Ingo 0720)

 Fenix-NTM® bordo colore (bianco Kos 0032, grigio Londra 0718)

Note:

Attenzione: le misure o le finiture contrassegnate con (!) hanno tempi di produzione più lunghi, circa 6 settimane dalla data dell'ordine.

I tavoli che in estensione superano i 250 cm presentano una leggera flessione del piano, che rientra negli standard di qualità accettati.

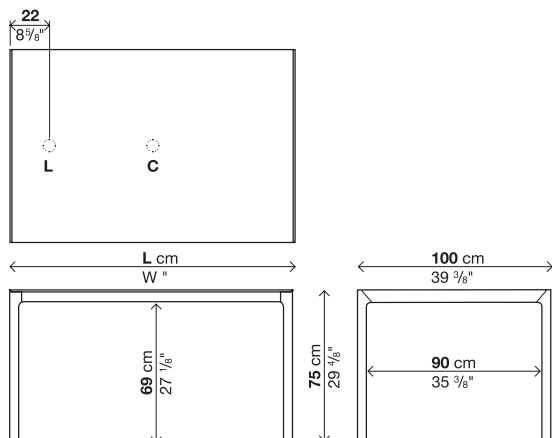
I tavoli di lunghezza 269 e 289 cm presentano una trafilata sottopiano di supporto centrale, pertanto eventuali fori passacavi non potranno essere posizionati centrati nella profondità ma lievemente spostati.

Imballi rinforzati vedi interno di copertina.

Codice	Lunghezza	Gambe	Piano				colli	m ³	Kg
			Alucompact®	Fenix-NTM® bordo nero	Pure-white	Fenix-NTM® bordo colore			
01MAK65F	139	Verniciato		-		-	1	0,39	58
01MAK05F	166	Verniciato					1	0,45	64
01MAK07F	189	Verniciato					1	0,5	70
01MAK06F	209	Verniciato					1	0,55	75
01MAK08F	229 (!)	Verniciato		-		-	1	0,6	80
01MAK67F	249 (!)	Verniciato		-		-	1	0,65	85
01MAK69F	269 (!)	Verniciato		-		-	1	0,69	63
01MAK32F	289 (!)	Verniciato		-		-	1	0,74	98

Optionals

Codice	Descrizione	colli	m ³	Kg
02FOR01	Foro passacavi laterale o centrale Ø6	-	-	-
02RET03	Rete cablaggio in materiale plastico	1	0,07	1
02VER01	Vertebra metacrilato opalino	1	0,007	1,5
02CPU03	Porta CPU in metacrilato opalino	1	0,14	5,5



MAKI ALUcompact® / PURE-WHITE

Fisso - Profondità 124 cm

Finitura gambe:

Alluminio verniciato bianco (simile al RAL 9016)
 Alluminio verniciato "Alucompact® grigio sabbia" (simile al RAL 9002)
 Alluminio verniciato "Alucompact® grigio antracite" (simile al RAL 7015)
 Alluminio verniciato nero (simile al RAL 9004)
 Alluminio verniciato verde oliva (riferimento colore "Poliuretano verde oliva P008")

Finitura piano:

Laminato Alucompact® (bianco, grigio sabbia, grigio antracite, nero)

Laminato Pure-white bianco

Note:

Attenzione: le misure o le finiture contrassegnate con (!) hanno tempi di produzione più lunghi, circa 6 settimane dalla data dell'ordine.

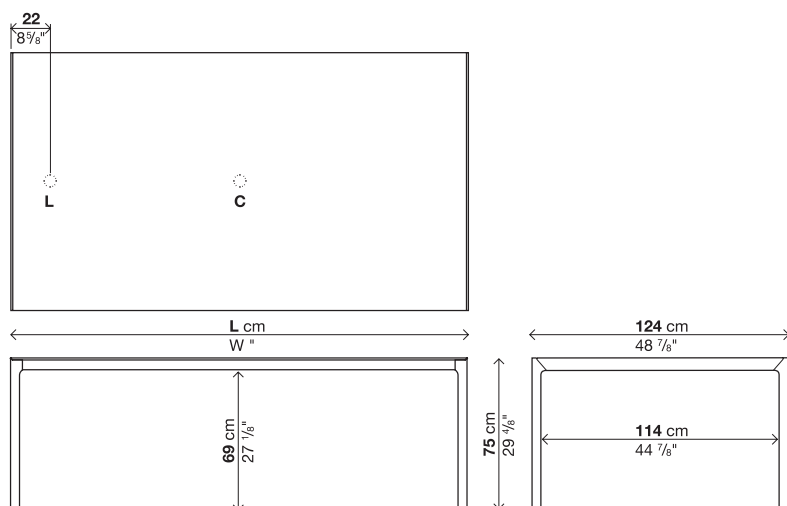
I tavoli che in estensione superano i 250 cm presentano una leggera flessione del piano, che rientra negli standard di qualità accettati.

Imballi rinforzati vedi interno di copertina.

Codice	Lunghezza	Gambe	Piano		colli	m ³	Kg
			Alucompact®	Pure-white			
01MAK71F	209 (!)	Verniciato			1	0,66	94
01MAK73F	229 (!)	Verniciato			1	0,72	100
01MAK75F	277 (!)	Verniciato			1	0,85	116

Optionals

Codice	Descrizione	colli	m ³	Kg
02FOR01	Foro passacavi laterale o centrale Ø6	-	-	-
02RET04	Rete cablaggio in materiale plastico	1	0,07	1
02VER01	Vertebra metacrilato opalino	1	0,007	1,5
02CPU04	Porta CPU in metacrilato opalino	1	0,14	5,5



MAKI DEKTON® BY COSENTINO

Allungabile - Profondità 90 cm

Finitura gambe:

Alluminio verniciato bianco (simile al RAL 9016)

Alluminio verniciato "grigio Ventus"

Alluminio verniciato verde oliva (riferimento colore "Poliuretano verde oliva P008")

Finitura piano:

DEKTON® bianco Zenith

DEKTON® grigio Ventus

DEKTON® Aura (marmo digitale)

Finitura prolunghe:

Alluminio verniciato bianco (simile al RAL 9016)

Alluminio verniciato "grigio Ventus"

Note:

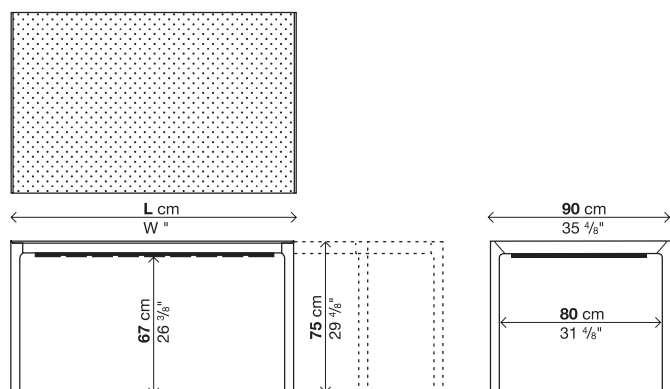
Attenzione: le venature riprodotte sulla superficie dei piani in DEKTON® Aura (marmo digitale) sono disposte in modo casuale, peculiarità che rende ciascun piano unico e non ripetibile. Questa caratteristica implica possibili differenze rispetto ai campioni, non contestabili quali imperfezioni o anomalie. In virtù della casualità della loro disposizione, non è possibile avere su richiesta venature più o meno omogenee.

Attenzione: le misure o le finiture contrassegnate con (!) hanno tempi di produzione più lunghi, circa 6 settimane dalla data dell'ordine.

I tavoli che in estensione superano i 250 cm presentano una leggera flessione del piano, che rientra negli standard di qualità accettati.

Imballi rinforzati vedi interno di copertina.

Codice	Lunghezza	Gambe	Piano	colli	m ²	Kg
			DEKTON®			
01MAK03	139-176-214 (!)	Verniciato		3	0,41	97
01MAK04	166-203-241 (!)	Verniciato		3	0,5	110
01MAK08	189-226-263 (!)	Verniciato		3	0,51	113



MAKI DEKTON® BY COSENTINO

Fisso - Profondità 90 cm

Finitura gambe:

Alluminio verniciato bianco (simile al RAL 9016)

Alluminio verniciato "grigio Ventus"

Alluminio verniciato verde oliva (riferimento colore "Poliuretano verde oliva P008")

Finitura piano:

DEKTON® bianco Zenith

DEKTON® grigio Ventus

DEKTON® Aura (marmo digitale)

Note:

Attenzione: le venature riprodotte sulla superficie dei piani in DEKTON® Aura (marmo digitale) sono disposte in modo casuale, peculiarità che rende ciascun piano unico e non ripetibile. Questa caratteristica implica possibili differenze rispetto ai campioni, non contestabili quali imperfezioni o anomalie. In virtù della casualità della loro disposizione, non è possibile avere su richiesta venature più o meno omogenee.

Attenzione: le misure o le finiture contrassegnate con (!) hanno tempi di produzione più lunghi, circa 6 settimane dalla data dell'ordine.

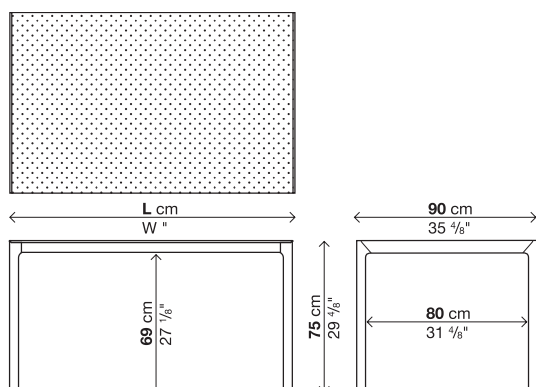
I tavoli che in estensione superano i 250 cm presentano una leggera flessione del piano, che rientra negli standard di qualità accettati.

Imballi rinforzati vedi interno di copertina.

Codice	Lunghezza	Gambe	Piano	colli	m ³	Kg
			DEKTON®			
01MAK03F	139 (!)	Verniciato		1	0,36	68
01MAK04F	166 (!)	Verniciato		1	0,42	77
01MAK53F	189 (!)	Verniciato		1	0,46	84

Optionals

Codice	Descrizione	colli	m ³	Kg
02RETO2	Rete cablaggio in materiale plastico	1	0,07	1
02VERO1	Vertebra metacrilato opalino	1	0,007	1,5
02CPU02	Porta CPU in metacrilato opalino	1	0,14	5,5



HIGHLY UV
RESISTANT



RESISTANT TO
ABRASION



RESISTANT
TO STAIN



MAXIMUM
RESISTANCE
TO FIRE AND HEAT



LOW
WATER
ABSORPTION



HIGH
MECHANICAL
RESISTANCE



COLOUR
STABILITY



DIMENSIONAL
STABILITY



FIREPROOF
MATERIAL

MAKI DEKTON® BY COSENTINO

Allungabile - Profondità 100 cm

Finitura gambe:

Alluminio verniciato bianco (simile al RAL 9016)
 Alluminio verniciato "grigio Ventus"
 Alluminio verniciato verde oliva (riferimento colore "Poliuretano verde oliva P008")

Finitura piano:

DEKTON® bianco Zenith
 DEKTON® grigio Ventus
 DEKTON® Aura (marmo digitale)

Finitura prolunghe:

Alluminio verniciato bianco (simile al RAL 9016)
 Alluminio verniciato "grigio Ventus"

Note:

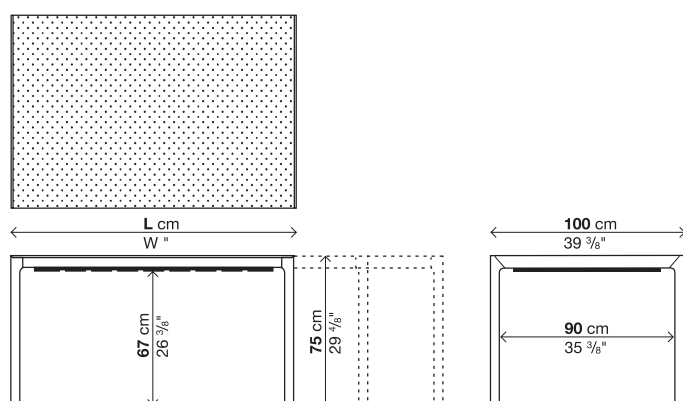
Attenzione: le venature riprodotte sulla superficie dei piani in DEKTON® Aura (marmo digitale) sono disposte in modo casuale, peculiarità che rende ciascun piano unico e non ripetibile. Questa caratteristica implica possibili differenze rispetto ai campioni, non contestabili quali imperfezioni o anomalie. In virtù della casualità della loro disposizione, non è possibile avere su richiesta venature più o meno omogenee.

Attenzione: le misure o le finiture contrassegnate con (!) hanno tempi di produzione più lunghi, circa 6 settimane dalla data dell'ordine.

I tavoli che in estensione superano i 250 cm presentano una leggera flessione del piano, che rientra negli standard di qualità accettati.

Imballi rinforzati vedi interno di copertina.

Codice	Lunghezza	Gambe	Piano	colli	m ²	Kg
			DEKTON®			
01MAK05	166-203-240 (!)	Verniciato		3	0,52	116
01MAK09	189-226-263 (!)	Verniciato		3	0,57	126



MAKI DEKTON® BY COSENTINO

Fisso - Profondità 100 cm

Finitura gambe:

Alluminio verniciato bianco (simile al RAL 9016)

Alluminio verniciato "grigio Ventus"

Alluminio verniciato verde oliva (riferimento colore "Poliuretano verde oliva P008")

Finitura piano:

DEKTON® bianco Zenith

DEKTON® grigio Ventus

DEKTON® Aura (marmo digitale)

Note:

Attenzione: le venature riprodotte sulla superficie dei piani in DEKTON® Aura (marmo digitale) sono disposte in modo casuale, peculiarità che rende ciascun piano unico e non ripetibile. Questa caratteristica implica possibili differenze rispetto ai campioni, non contestabili quali imperfezioni o anomalie. In virtù della casualità della loro disposizione, non è possibile avere su richiesta venature più o meno omogenee.

Attenzione: le misure o le finiture contrassegnate con (!) hanno tempi di produzione più lunghi, circa 6 settimane dalla data dell'ordine.

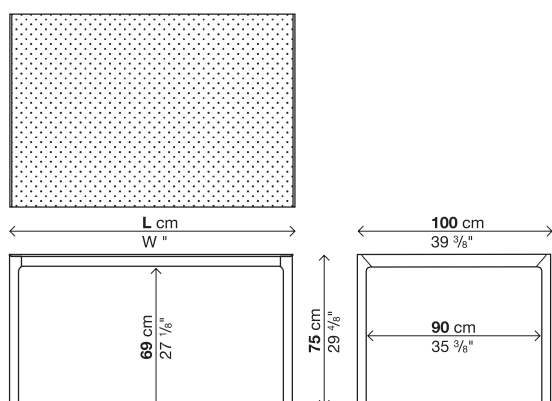
I tavoli che in estensione superano i 250 cm presentano una leggera flessione del piano, che rientra negli standard di qualità accettati.

Imballi rinforzati vedi interno di copertina.

Codice	Lunghezza	Gambe	Piano	colli	m³	Kg
			DEKTON®			
01MAK05F	166 (!)	Verniciato		1	0,45	82
01MAK07F	189 (!)	Verniciato		1	0,5	91
01MAK08F	229 (!)	Verniciato		1	0,6	105
01MAK69F	269 (!)	Verniciato		1	0,69	123

Optionals

Codice	Descrizione	colli	m³	Kg
02RET03	Rete cablaggio in materiale plastico	1	0,07	1
02VER01	Vertebra metacrilato opalino	1	0,007	1,5
02CPU03	Porta CPU in metacrilato opalino	1	0,14	5,5



MAKI LEGNO

Allungabile - Profondità 90 cm

Finitura gambe:

Alluminio verniciato bianco (simile al RAL 9016)
Alluminio verniciato "Alucompact® grigio sabbia" (simile al RAL 9002)
Alluminio verniciato "Alucompact® grigio antracite" (simile al RAL 7015)
Alluminio verniciato "Fenix-NTM® grigio Londra" (simile al RAL Design0805005)
Alluminio verniciato nero (simile al RAL 9004)
Alluminio verniciato verde oliva (riferimento colore "Poliuretano verde oliva P008")

Finitura piano/prolunghe:

Legno effetto rovere europeo
Legno effetto noce
Legno effetto rovere tinto nero

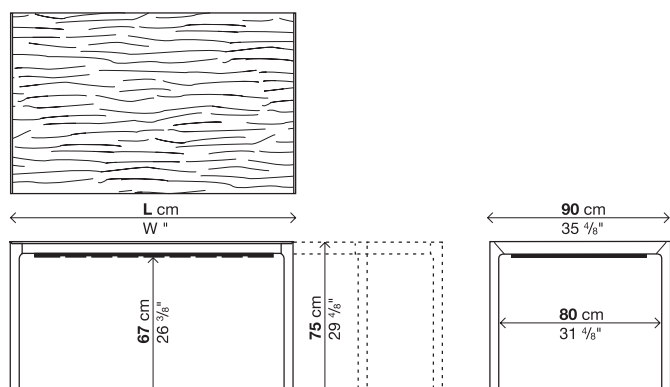
Note:

Attenzione: le misure o le finiture contrassegnate con (!) hanno tempi di produzione più lunghi, circa 6 settimane dalla data dell'ordine.

I tavoli che in estensione superano i 250 cm presentano una leggera flessione del piano, che rientra negli standard di qualità accettati.

Imballi rinforzati vedi interno di copertina.

Codice	Lunghezza	Gambe	Piano		
			Legno		
01MAK04	166-201-236-271 con tre prolunghe	Verniciato	4	0,5	89
01MAK08	189-224-259-294 con tre prolunghe	Verniciato	4	0,54	96,5
01MAK30	209-253-297 (!) con due prolunghe	Verniciato	3	0,55	96



MAKI LEGNO

Fisso - Profondità 90 cm

Finitura gambe:

Alluminio verniciato bianco (simile al RAL 9016)
 Alluminio verniciato "Alucompact® grigio sabbia" (simile al RAL 9002)
 Alluminio verniciato "Alucompact® grigio antracite" (simile al RAL 7015)
 Alluminio verniciato "Fenix-NTM® grigio Londra" (simile al RAL Design0805005)
 Alluminio verniciato nero (simile al RAL 9004)
 Alluminio verniciato verde oliva (riferimento colore "Poliuretano verde oliva P008")

Finitura piano:

Legno effetto rovere europeo
 Legno effetto noce
 Legno effetto rovere tinto nero

Note:

Attenzione: le misure o le finiture contrassegnate con (!) hanno tempi di produzione più lunghi, circa 6 settimane dalla data dell'ordine.

I tavoli che in estensione superano i 250 cm presentano una leggera flessione del piano, che rientra negli standard di qualità accettati.

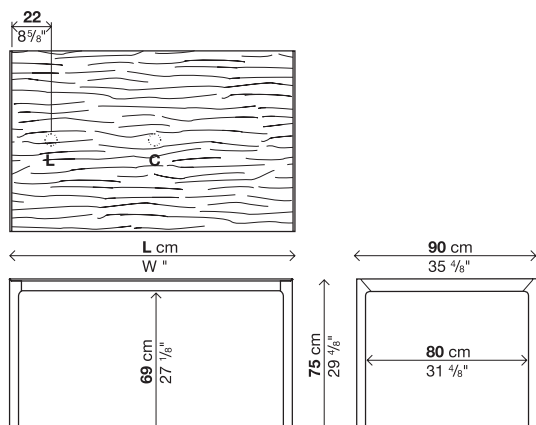
I tavoli di lunghezza 269 e 289 cm presentano una trafilata sottopiano di supporto centrale, pertanto eventuali fori passacavi non potranno essere posizionati centrati nella profondità ma lievemente spostati.

Imballi rinforzati vedi interno di copertina.

Codice	Lunghezza	Gambe	Piano	
			colli	m ³ Kg
			Legno	
01MAK53F	189	Verniciato	1	0,46 65
01MAK30F	209 (!)	Verniciato	1	0,5 70
01MAK55F	229 (!)	Verniciato	1	0,55 74
01MAK57F	249 (!)	Verniciato	1	0,59 79
01MAK59F	269 (!)	Verniciato	1	0,63 87
01MAK61F	289 (!)	Verniciato	1	0,67 93

Optionals

Codice	Descrizione	colli	m ³	Kg
02FOR01	Foro passacavi laterale o centrale Ø6	-	-	-
02RET02	Rete cablaggio in materiale plastico	1	0,07	1
02VER01	Vertebra in metacrilato opalino	1	0,007	1,5
02CPU02	Porta CPU in metacrilato opalino	1	0,14	5,5



MAKI LEGNO

Allungabile - Profondità 100 cm

Finitura gambe:

Alluminio verniciato bianco (simile al RAL 9016)
Alluminio verniciato "Alucompact® grigio sabbia" (simile al RAL 9002)
Alluminio verniciato "Alucompact® grigio antracite" (simile al RAL 7015)
Alluminio verniciato "Fenix-NTM® grigio Londra" (simile al RAL Design0805005)
Alluminio verniciato nero (simile al RAL 9004)
Alluminio verniciato verde oliva (riferimento colore "Poliuretano verde oliva P008")

Finitura piano/prolunghe:

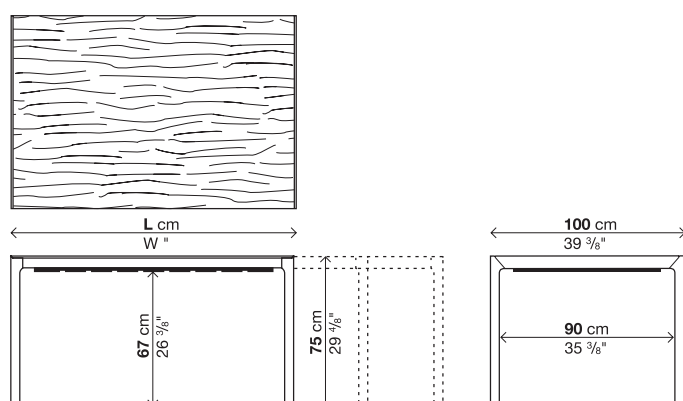
Legno effetto rovere europeo
Legno effetto noce
Legno effetto rovere tinto nero

Note:

I tavoli che in estensione superano i 250 cm presentano una leggera flessione del piano, che rientra negli standard di qualità accettati.

Imballi rinforzati vedi interno di copertina.

Codice	Lunghezza	Gambe	Piano	colli	m ³	Kg
			Legno			
01MAK05	166-201-236-271 con tre prolunghe	Verniciato		4	0,55	91
01MAK09	189-224-259-294 con tre prolunghe	Verniciato		4	0,6	98
01MAK06	209-253-297 con due prolunghe	Verniciato		3	0,62	98



MAKI LEGNO

Fisso - Profondità 100 cm

Finitura gambe:

Alluminio verniciato bianco (simile al RAL 9016)
 Alluminio verniciato "Alucompact® grigio sabbia" (simile al RAL 9002)
 Alluminio verniciato "Alucompact® grigio antracite" (simile al RAL 7015)
 Alluminio verniciato "Fenix-NTM® grigio Londra" (simile al RAL Design0805005)
 Alluminio verniciato nero (simile al RAL 9004)
 Alluminio verniciato verde oliva (riferimento colore "Poliuretano verde oliva P008")

Finitura piano:

Legno effetto rovere europeo
 Legno effetto noce
 Legno effetto rovere tinto nero

Note:

Attenzione: le misure o le finiture contrassegnate con (!) hanno tempi di produzione più lunghi, circa 6 settimane dalla data dell'ordine.

I tavoli che in estensione superano i 250 cm presentano una leggera flessione del piano, che rientra negli standard di qualità accettati.

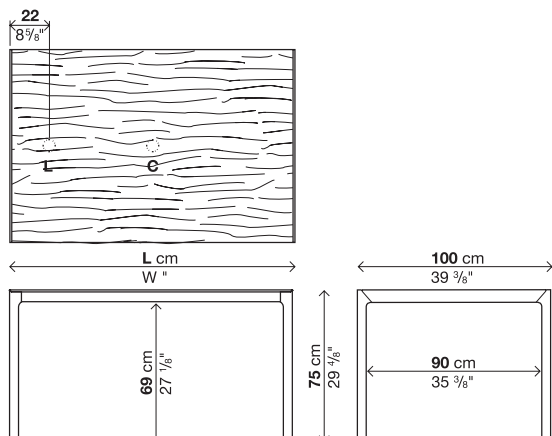
I tavoli di lunghezza 269 e 289 cm presentano una trafilata sottopiano di supporto centrale, pertanto eventuali fori passacavi non potranno essere posizionati centrati nella profondità ma lievemente spostati.

Imballi rinforzati vedi interno di copertina.

Codice	Lunghezza	Gambe	Piano	
			colli	m ³ Kg
			Legno	
01MAK07F	189	Verniciato	1	0,5 70
01MAK06F	209	Verniciato	1	0,55 75
01MAK08F	229 (!)	Verniciato	1	0,6 80
01MAK67F	249 (!)	Verniciato	1	0,65 85
01MAK69F	269 (!)	Verniciato	1	0,69 93
01MAK32F	289 (!)	Verniciato	1	0,74 98

Optionals

Codice	Descrizione	colli	m ³	Kg
02FOR01	Foro passacavi laterale o centrale Ø6	-	-	-
02RET02	Rete cablaggio in materiale plastico	1	0,07	1
02VER01	Vertebra in metacrilato opalino	1	0,007	1,5
02CPU03	Porta CPU in metacrilato opalino	1	0,14	5,5



MAKI VETRO

Allungabile - Profondità 80 cm

Finitura gambe:

Alluminio verniciato bianco (simile al RAL 9016)

Alluminio verniciato nero (simile al RAL 9004)

Finitura piano:

Vetro lucido colori: extra white, grigio antracite, nero, titanio

Vetro opaco colori: extra white, grigio antracite, nero, titanio

Finitura prolunghe:

Laminato Alucompact® bianco

Laminato Alucompact® grigio sabbia

Laminato Alucompact® grigio antracite

Laminato Alucompact® nero

Note:

Nei tavoli con i codici contrassegnati con l'asterisco (*) c'è la possibilità di aggiungere la terza prolunga per aumentare ulteriormente l'allungo.

Attenzione: le misure o le finiture contrassegnate con (!) hanno tempi di produzione più lunghi, circa 6 settimane dalla data dell'ordine.

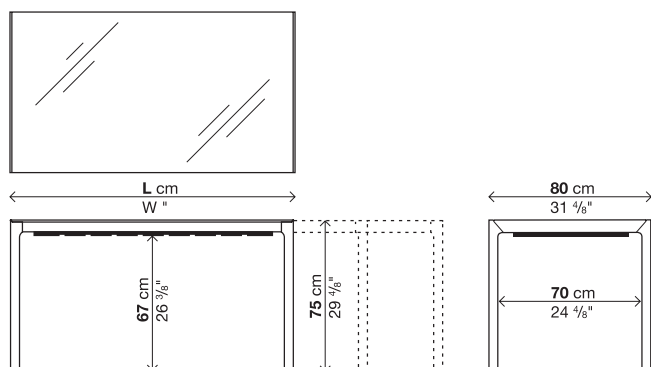
I tavoli che in estensione superano i 250 cm presentano una leggera flessione del piano, che rientra negli standard di qualità accettati.

Imballi rinforzati vedi interno di copertina.

Codice	Lunghezza	Gambe	Piano		colli	m ³	Kg
			Vetro lucido	Vetro opaco			
01MAK11	114-154-194	Verniciato			3	0,32	72
01MAK12	139-179-219	Verniciato			3	0,37	80
01MAK16*	166-206-246	Verniciato			3	0,42	87

(*) 3ª prolunga aggiuntiva

Codice	Lunghezza	Piano		colli	m ³	Kg
		Alucompact®				
50SUS5A	33 cm			1	0,03	6



MAKI VETRO

Fisso - Profondità 80 cm

Finitura gambe:

Alluminio verniciato bianco (simile al RAL 9016)

Alluminio verniciato nero (simile al RAL 9004)

Finitura piano:

Vetro lucido colori: extra white, grigio antracite, nero, titanio

Vetro opaco colori: extra white, grigio antracite, nero, titanio

Note:

Attenzione: le misure o le finiture contrassegnate con (!) hanno tempi di produzione più lunghi, circa 6 settimane dalla data dell'ordine.

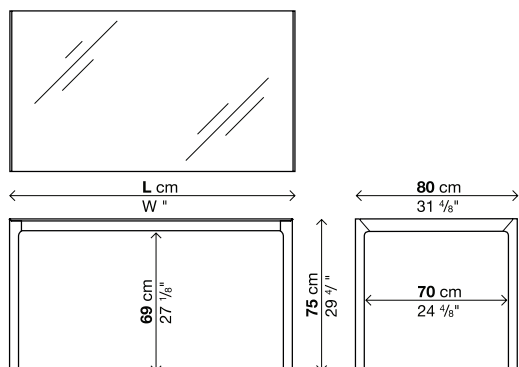
I tavoli che in estensione superano i 250 cm presentano una leggera flessione del piano, che rientra negli standard di qualità accettati.

Imballi rinforzati vedi interno di copertina.

Codice	Lunghezza	Gambe	Piano		colli	m ²	Kg
			Vetro lucido	Vetro opaco			
01MAK11F	114	Verniciato			1	0,27	52
01MAK12F	139	Verniciato			1	0,32	60
01MAK29F	166	Verniciato			1	0,37	66
01MAK34F	189	Verniciato			1	0,41	74
01MAK36F	209	Verniciato			1	0,45	80
01MAK38F	229 (!)	Verniciato			1	0,49	85
01MAK44F	249 (!)	Verniciato			1	0,53	91
01MAK46F	269 (!)	Verniciato			1	0,57	96
01MAK48F	289 (!)	Verniciato			1	0,61	102

Optionals

Codice	Descrizione	colli	m ²	Kg
02RET01	Rete cablaggio in materiale plastico	1	0,07	1
02VER01	Vertebra metacrilato opalino	1	0,007	1,5
02CPU01	Porta CPU in metacrilato opalino	1	0,14	5,5



MAKI VETRO

Allungabile - Profondità 90 cm

Finitura gambe:

Alluminio verniciato bianco (simile al RAL 9016)

Alluminio verniciato nero (simile al RAL 9004)

Finitura piano:

Vetro lucido colori: extra white, grigio antracite, nero, titanio

Vetro opaco colori: extra white, grigio antracite, nero, titanio

Finitura prolunghe:

Laminato Alucompact® bianco

Laminato Alucompact® grigio sabbia

Laminato Alucompact® grigio antracite

Laminato Alucompact® nero

Note:

Nei tavoli con i codici contrassegnati con l'asterisco (*) c'è la possibilità di aggiungere la terza prolunga per aumentare ulteriormente l'allungo.

Attenzione: le misure o le finiture contrassegnate con (!) hanno tempi di produzione più lunghi, circa 6 settimane dalla data dell'ordine.

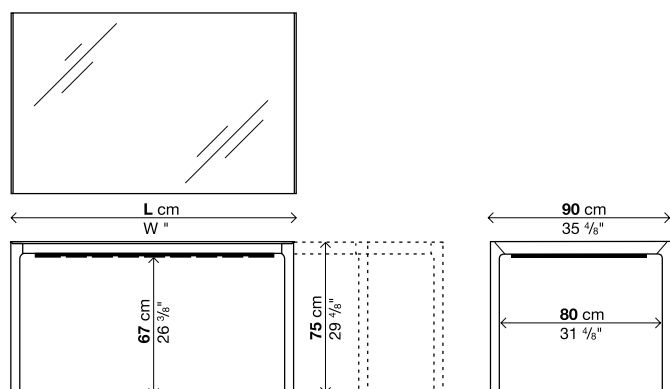
I tavoli che in estensione superano i 250 cm presentano una leggera flessione del piano, che rientra negli standard di qualità accettati.

Imballi rinforzati vedi interno di copertina.

Codice	Lunghezza	Gambe	Piano		colli	m ²	Kg
			Vetro lucido	Vetro opaco			
01MAK13	139-176-214	Verniciato			3	0,41	89
01MAK14	166-203-241-278 3ª prolunga di serie	Verniciato			4	0,5	104
01MAK18*	189-226-263	Verniciato			3	0,51	106
01MAK40*	209-246-283	Verniciato			3	0,55	113

(*) 3ª prolunga aggiuntiva

Codice	Lunghezza	Piano		colli	m ²	Kg
		Alucompact®				
50SUS2A	37,5 cm			1	0,03	6,5



MAKI VETRO

Fisso - Profondità 90 cm

Finitura gambe:

Alluminio verniciato bianco (simile al RAL 9016)

Alluminio verniciato nero (simile al RAL 9004)

Finitura piano:

Vetro lucido colori: extra white, grigio antracite, nero, titanio

Vetro opaco colori: extra white, grigio antracite, nero, titanio

Note:

Attenzione: le misure o le finiture contrassegnate con (!) hanno tempi di produzione più lunghi, circa 6 settimane dalla data dell'ordine.

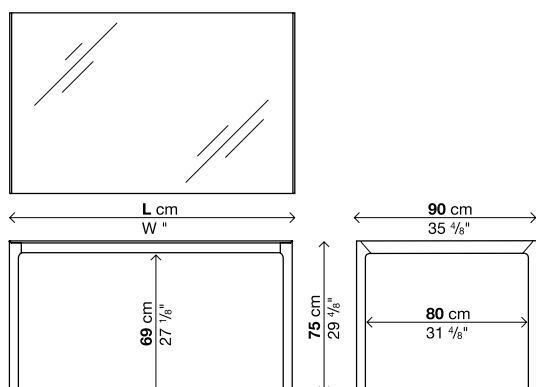
I tavoli che in estensione superano i 250 cm presentano una leggera flessione del piano, che rientra negli standard di qualità accettati.

Imballi rinforzati vedi interno di copertina.

Codice	Lunghezza	Gambe	Piano		colli	m ³	Kg
			Vetro lucido	Vetro opaco			
01MAK52F	114	Verniciato			1	0,3	59
01MAK13F	139	Verniciato			1	0,36	66
01MAK14F	166	Verniciato			1	0,42	75
01MAK54F	189	Verniciato			1	0,46	82
01MAK40F	209	Verniciato			1	0,5	88
01MAK56F	229 (!)	Verniciato			1	0,55	94
01MAK58F	249 (!)	Verniciato			1	0,59	100
01MAK60F	269 (!)	Verniciato			1	0,63	111
01MAK62F	289 (!)	Verniciato			1	0,67	117

Optionals

Codice	Descrizione	colli	m ³	Kg
02RET02	Rete cablaggio in materiale plastico	1	0,07	1
02VER01	Vertebra metacrilato opalino	1	0,007	1,5
02CPU02	Porta CPU in metacrilato opalino	1	0,14	5,5



MAKI VETRO

Allungabile - Profondità 100 cm

Finitura gambe:

Alluminio verniciato bianco (simile al RAL 9016)

Alluminio verniciato nero (simile al RAL 9004)

Finitura piano:

Vetro lucido colori: extra white, grigio antracite, nero, titanio

Vetro opaco colori: extra white, grigio antracite, nero, titanio

Finitura prolunghe:

Laminato Alucompact® bianco

Laminato Alucompact® grigio sabbia

Laminato Alucompact® grigio antracite

Laminato Alucompact® nero

Note:

Nei tavoli con i codici contrassegnati con l'asterisco (*) c'è la possibilità di aggiungere la terza prolunga per aumentare ulteriormente l'allungo.

Attenzione: le misure o le finiture contrassegnate con (!) hanno tempi di produzione più lunghi, circa 6 settimane dalla data dell'ordine.

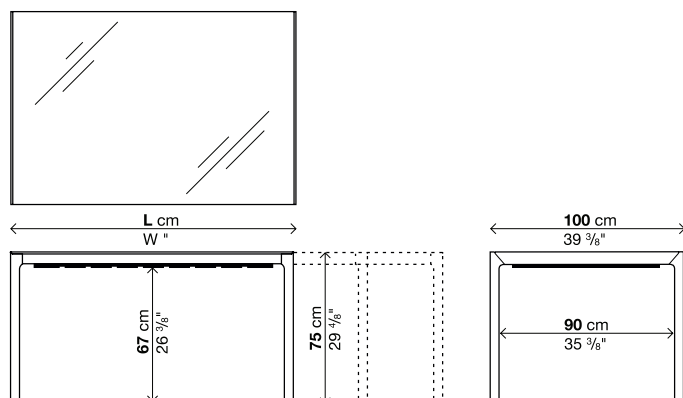
I tavoli che in estensione superano i 250 cm presentano una leggera flessione del piano, che rientra negli standard di qualità accettati.

Imballi rinforzati vedi interno di copertina.

Codice	Lunghezza	Gambe	Piano		colli	m ³	Kg
			Vetro lucido	Vetro opaco			
01MAK15*	166-213-260	Verniciato			3	0,52	109
01MAK19*	189-236-283	Verniciato			3	0,57	116
01MAK17*	209-256-303	Verniciato			3	0,62	126

(*) 3ª prolunga aggiuntiva

Codice	Lunghezza	Piano		colli	m ³	Kg
		Alucompact®				
50SUS6A	33 cm			1	0,03	6



MAKI VETRO

Fisso - Profondità 100 cm

Finitura gambe:

Alluminio verniciato bianco (simile al RAL 9016)

Alluminio verniciato nero (simile al RAL 9004)

Finitura piano:

Vetro lucido colori: extra white, grigio antracite, nero, titanio

Vetro opaco colori: extra white, grigio antracite, nero, titanio

Note:

Attenzione: le misure o le finiture contrassegnate con (!) hanno tempi di produzione più lunghi, circa 6 settimane dalla data dell'ordine.

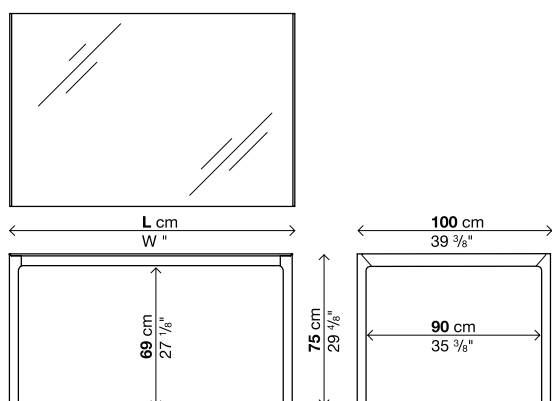
I tavoli che in estensione superano i 250 cm presentano una leggera flessione del piano, che rientra negli standard di qualità accettati.

Imballi rinforzati vedi interno di copertina.

Codice	Lunghezza	Gambe	Piano		colli	m ³	Kg
			Vetro lucido	Vetro opaco			
01MAK66F	139	Verniciato			1	0,39	71
01MAK15F	166	Verniciato			1	0,45	80
01MAK18F	189	Verniciato			1	0,5	88
01MAK17F	209	Verniciato			1	0,55	94
01MAK19F	229 (!)	Verniciato			1	0,6	101
01MAK68F	249 (!)	Verniciato			1	0,65	108
01MAK70F	269 (!)	Verniciato			1	0,69	118
01MAK42F	289 (!)	Verniciato			1	0,74	126

Optionals

Codice	Descrizione	colli	m ³	Kg
02RET03	Rete cablaggio in materiale plastico	1	0,07	1
02VER01	Vertebra metacrilato opalino	1	0,007	1,5
02CPU03	Porta CPU in metacrilato opalino	1	0,14	5,5



MAKI VETRO

Fisso - Profondità 124 cm

Finitura gambe:

Alluminio verniciato bianco (simile al RAL 9016)

Alluminio verniciato nero (simile al RAL 9004)

Finitura piano:

Vetro lucido colori: extra white, grigio antracite, nero, titanio

Vetro opaco colori: extra white, grigio antracite, nero, titanio

Note:

Attenzione: le misure o le finiture contrassegnate con (!) hanno tempi di produzione più lunghi, circa 6 settimane dalla data dell'ordine.

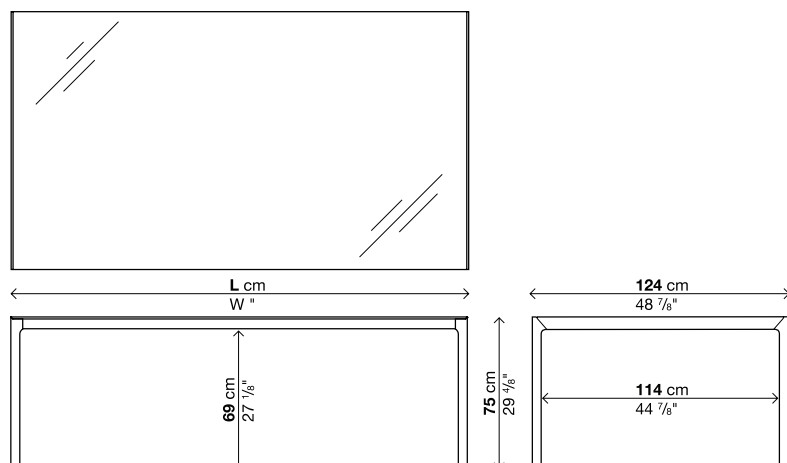
I tavoli che in estensione superano i 250 cm presentano una leggera flessione del piano, che rientra negli standard di qualità accettati.

Imballi rinforzati vedi interno di copertina.

Codice	Lunghezza	Gambe	Piano		colli	m ³	Kg
			Vetro lucido	Vetro opaco			
01MAK72F	209 (!)	Verniciato			1	0,66	117
01MAK74F	229 (!)	Verniciato			1	0,72	126
01MAK76F	277 (!)	Verniciato			1	0,85	148

Optionals

Codice	Descrizione	colli	m ³	Kg
02RET04	Rete cablaggio in materiale plastico	1	0,07	1
02VER01	Vertebra metacrilato opalino	1	0,007	1,5
02CPU04	Porta CPU in metacrilato opalino	1	0,14	5,5



MAKI

Übersicht

Prof. 80 cm Depth 314³/₈"

80	114 cm 44 ⁷ / ₈ "	→ Alucompact® → Pure-white → Glas
	114/154/194 cm 44 ⁷ / ₈ /60 ⁵ / ₈ /76 ³ / ₈ "	→ Alucompact® → Pure-white → Glas
	139 cm 54 ⁶ / ₈ "	→ Alucompact® → Pure-white → Glas
	139/179/219 cm 54 ⁶ / ₈ /70 ⁴ / ₈ /86 ² / ₈ "	→ Alucompact® → Pure-white → Glas
	166 cm 65 ³ / ₈ "	→ Alucompact® → Pure-white → Glas
	166/206/246 cm 65 ³ / ₈ /81 ¹ / ₈ /96 ⁷ / ₈ " *	→ Alucompact® → Pure-white → Glas
	189 cm 74 ³ / ₈ "	→ Alucompact® → Pure-white → Glas
	209 cm 82 ² / ₈ "	→ Alucompact® → Pure-white → Glas
	229 cm 90 ¹ / ₈ "	→ Alucompact® → Pure-white → Glas
	249 cm 98"	→ Alucompact® → Pure-white → Glas
	269 cm 105 ⁷ / ₈ "	→ Alucompact® → Pure-white → Glas
	289 cm 113 ⁶ / ₈ "	→ Alucompact® → Pure-white → Glas

Prof. 90 cm Depth 353³/₈"

90	114 cm 44 ⁷ / ₈ "	→ Alucompact® → Pure-white → Glas
	139 cm 54 ⁶ / ₈ "	→ Alucompact® → Pure-white → Fenix-NTM® → Glas → DEKTON®
	139/176/214 cm 54 ⁶ / ₈ /69 ² / ₈ /84 ² / ₈ "	→ Alucompact® → Pure-white → Fenix-NTM® → Glas → DEKTON®
	166 cm 65 ³ / ₈ "	→ Alucompact® → Pure-white → Fenix-NTM® → Glas → DEKTON®
	166/203/241/278 cm 65 ³ / ₈ /79 ⁷ / ₈ /94 ⁷ / ₈ /109 ⁴ / ₈ "	→ Alucompact® → Pure-white → Fenix-NTM® → Glas
	166/203/241 cm 65 ³ / ₈ /79 ⁷ / ₈ /94 ⁷ / ₈ "	→ DEKTON®
	166/201/236/271 cm 65 ³ / ₈ /79 ¹ / ₈ /92 ⁷ / ₈ /106 ⁶ / ₈ "	→ Holz
	189 cm 74 ³ / ₈ "	→ Alucompact® → Pure-white → Fenix-NTM® → Glas → DEKTON® → Holz
	189/226/263 cm 74 ³ / ₈ /89 ¹ / ₈ /103 ⁴ / ₈ " *	→ Alucompact® → Pure-white → Fenix-NTM® → Glas
	189/226/263 cm 74 ³ / ₈ /89 ¹ / ₈ /103 ⁴ / ₈ "	→ DEKTON®
	189/224/259/294 cm 74 ³ / ₈ /88 ² / ₈ /102 ¹ / ₁₅₆ "	→ Holz
	209 cm 82 ² / ₈ "	→ Alucompact® → Pure-white → Fenix-NTM® → Glas → Holz
	209/246/283 cm 82 ² / ₈ /96 ⁷ / ₈ /111 ³ / ₈ " *	→ Alucompact® → Pure-white → Fenix-NTM® → Glas
	209/253/297 cm 82 ² / ₈ /99 ⁵ / ₈ /116 ⁷ / ₈ "	→ Holz
	229 cm 90 ¹ / ₈ "	→ Alucompact® → Pure-white → Glas → Holz
	249 cm 98"	→ Alucompact® → Pure-white → Glas → Holz
	269 cm 105 ⁷ / ₈ "	→ Alucompact® → Pure-white → Glas → Holz
	289 cm 113 ⁶ / ₈ "	→ Alucompact® → Pure-white → Glas → Holz

Prof. 100 cm Depth 393³/₈"

100	139 cm 54 ⁶ / ₈ "	→ Alucompact® → Pure-white → Glas
	166 cm 65 ³ / ₈ "	→ Alucompact® → Pure-white → Fenix-NTM® → Glas → DEKTON®
	166/213/260 cm 65 ³ / ₈ /83 ⁷ / ₈ /102 ³ / ₈ " *	→ Alucompact® → Pure-white → Fenix-NTM® → Glas
	166/203/240 cm 65 ³ / ₈ /79 ⁷ / ₈ /94 ⁴ / ₈ "	→ DEKTON®
	166/201/236/271 cm 65 ³ / ₈ /79 ¹ / ₈ /92 ⁷ / ₈ /106 ⁶ / ₈ "	→ Holz
	189 cm 74 ³ / ₈ "	→ Alucompact® → Pure-white → Fenix-NTM® → Glas → DEKTON® → Holz
	189/236/283 cm 74 ³ / ₈ /92 ⁷ / ₈ /111 ³ / ₈ " *	→ Alucompact® → Pure-white → Fenix-NTM® → Glas
	189/226/263 cm 74 ³ / ₈ /89 ¹ / ₈ /103 ⁴ / ₈ "	→ DEKTON®
	189/224/259/294 cm 74 ³ / ₈ /88 ² / ₈ /102 ¹ / ₁₅₆ "	→ Holz
	209 cm 82 ² / ₈ "	→ Alucompact® → Pure-white → Fenix-NTM® → Glas → Holz
	209/256/303 cm 82 ² / ₈ /100 ⁶ / ₈ /119 ² / ₈ " *	→ Alucompact® → Pure-white → Fenix-NTM® → Glas
	209/253/297 cm 82 ² / ₈ /99 ⁵ / ₈ /116 ⁷ / ₈ "	→ Holz
	229 cm 90 ¹ / ₈ "	→ Alucompact® → Pure-white → Glas → DEKTON® → Holz
	249 cm 98"	→ Alucompact® → Pure-white → Glas → Holz
	269 cm 105 ⁷ / ₈ "	→ Alucompact® → Pure-white → Glas → DEKTON® → Holz
	289 cm 113 ⁶ / ₈ "	→ Alucompact® → Pure-white → Glas → Holz

* = 3. zusätzliche Verlängerung (auf Anfrage)

Platten

Prof. 124 cm
Depth 483/8"

124

209 cm
822/8"

→ Alucompact®
→ Pure-white
→ Glas

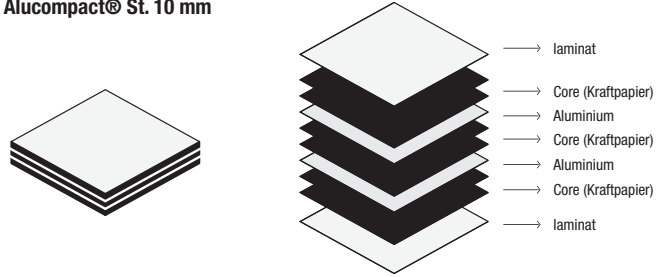
229 cm
901/8"

→ Alucompact®
→ Pure-white
→ Glas

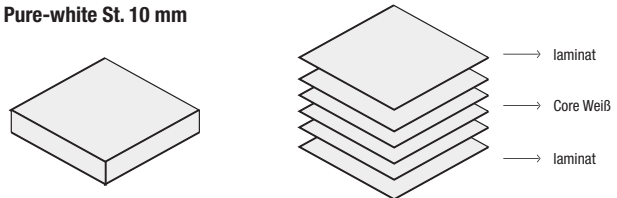
277 cm
109"

→ Alucompact®
→ Pure-white
→ Glas

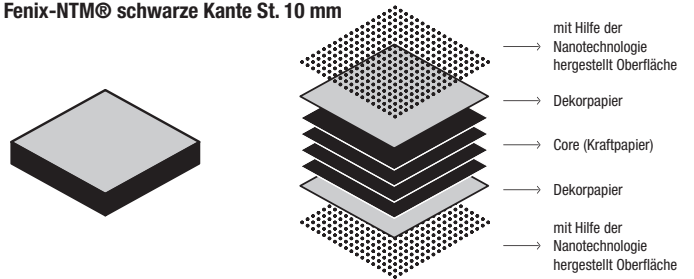
Alucompact® St. 10 mm



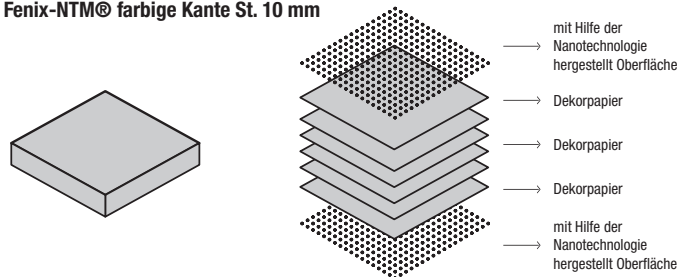
Pure-white St. 10 mm



Fenix-NTM® schwarze Kante St. 10 mm



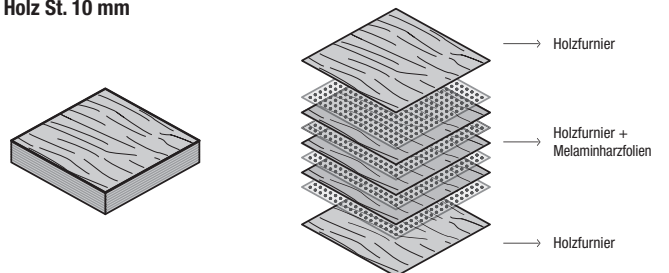
Fenix-NTM® farbige Kante St. 10 mm



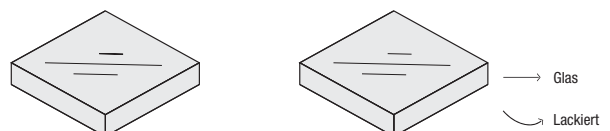
DEKTON® by Cosentino St. 8 mm



Holz St. 10 mm



Glas St. 10 mm



MAKI ALUcompact® / PURE-WHITE

Erweiterbar - Tiefe 80 cm

Ausführung der Beine:

Weiß lackiertes Aluminium (farbähnlich wie RAL 9016)
 "Alucompact® Sandgrau" lackiertes Aluminium (farbähnlich wie RAL 9002)
 "Alucompact® Anthrazitgrau" lackiertes Aluminium (farbähnlich wie RAL 7015)
 Schwarz lackiertes Aluminium (farbähnlich wie RAL 9004)

Ausführung der Platte/Verlängerungen:

Laminat Alucompact® (Weiß, Sandgrau, Anthrazitgrau, Schwarz)

 Laminat Pure-white Weiß

Anmerkung:

Bei den Tischen, deren Artikelnummern mit Sternchen (*) markiert sind, ist das Hinzufügen einer dritten Verlängerung möglich, wodurch der Tisch noch größer wird.

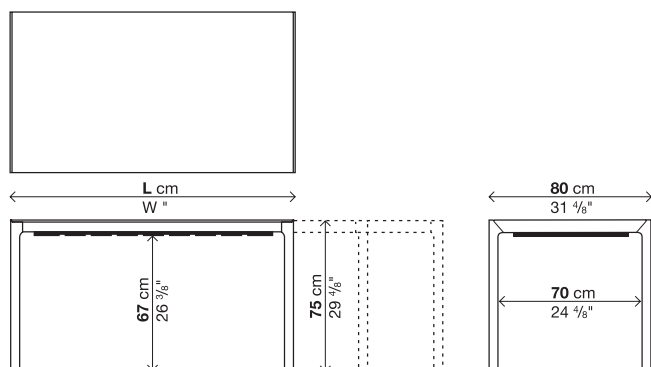
Achtung: Die mit (!) gekennzeichneten Maße oder Ausführungen haben eine längere Produktionszeit: zirka 6 Wochen ab Auftragsdatum.

Für verstärkte Verpackungen siehe Innenseite des Umschlags.

Art.-Nr.	Länge	Beine	Platte		kolli	m ³	Kg
			Alucompact®	Pure-white (!)			
01MAK01	114-154-194	Lackiert			3	0,32	63
01MAK02	139-179-219	Lackiert			3	0,37	69
01MAK07*	166-206-246	Lackiert			3	0,42	75

(*) 3. zusätzliche Verlängerung

Art.-Nr.	Länge	Platte		kolli	m ³	Kg
		Alucompact®	Pure-white			
50SUS5A	33 cm			1	0,03	6



MAKI ALUCOMPACT® / PURE-WHITE

Fixmaße - Tiefe 80 cm

Ausführung der Beine:

Weiß lackiertes Aluminium (farbähnlich wie RAL 9016)
 "Alucompact® Sandgrau" lackiertes Aluminium (farbähnlich wie RAL 9002)
 "Alucompact® Anthrazitgrau" lackiertes Aluminium (farbähnlich wie RAL 7015)
 Schwarz lackiertes Aluminium (farbähnlich wie RAL 9004)

Ausführung der Platte:

Laminat Alucompact® (Weiß, Sandgrau, Anthrazitgrau, Schwarz)

 Laminat Pure-white Weiß

Anmerkung:

Achtung: Die mit (!) gekennzeichneten Maße oder Ausführungen haben eine längere Produktionszeit: zirka 6 Wochen ab Auftragsdatum.

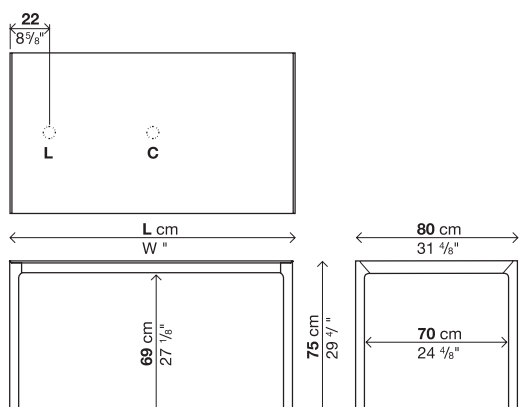
Jene Tische, die im ausgezogenen Zustand eine Länge von 250 cm überschreiten, weisen eine leichte Biegung der Platte auf, die jedoch innerhalb der festgelegten qualitativen Standards liegt.

Für verstärkte Verpackungen siehe Innenseite des Umschlags.

Art.-Nr.	Länge	Beine	Platte		kolli	m ³	Kg
			Alucompact®	Pure-white			
01MAK01F	114	Lackiert			1	0,27	43
01MAK02F	139	Lackiert			1	0,32	49
01MAK28F	166 (!)	Lackiert			1	0,37	55
01MAK33F	189 (!)	Lackiert			1	0,41	60
01MAK35F	209 (!)	Lackiert			1	0,45	64
01MAK37F	229 (!)	Lackiert			1	0,49	68
01MAK43F	249 (!)	Lackiert			1	0,53	73
01MAK45F	269 (!)	Lackiert			1	0,57	76
01MAK47F	289 (!)	Lackiert			1	0,61	80

Optionen

Art.-Nr.	Beschreibung	kolli	m ²	Kg
02FOR01	Seitlicher oder mittlerer Kabeldurchlass	-	-	-
02RET01	Kabelnetz, Kunststoffmaterial	1	0,07	1
02VER01	Kabelschlange, mattes Methacrylat	1	0,007	1,5
02CPU01	CPU-Träger, mattes Methacrylat	1	0,14	5,5



MAKI ALUcompact® / PURE-WHITE / FENIX-NTM®

Erweiterbar - Tiefe 90 cm

Ausführung der Beine:

Weiß lackiertes Aluminium (farbähnlich wie RAL 9016)
 "Alucompact® Sandgrau" lackiertes Aluminium (farbähnlich wie RAL 9002)
 "Alucompact® Anthrazitgrau" lackiertes Aluminium (farbähnlich wie RAL 7015)
 Schwarz lackiertes Aluminium (farbähnlich wie RAL 9004)
 Olivgrün lackiertes Aluminium (farbähnlich wie "Polyurethan Olivgrün P008")

Ausführung der Platte/Verlängerungen:

Laminat Alucompact® (Weiß, Sandgrau, Anthrazitgrau, Schwarz)

Laminat Pure-white Weiß

Fenix-NTM® mit schwarzer Kante (Weiß Kos 0032, Grau London 0718, Grau Bromo 0724, Schwarz Ingo 0720)

Fenix-NTM® mit farbiger Kante (Weiß Kos 0032, Grau London 0718)

Anmerkung:

Bei den Tischen, deren Artikelnummern mit Sternchen (*) markiert sind, ist das Hinzufügen einer dritten Verlängerung möglich, wodurch der Tisch noch größer wird.

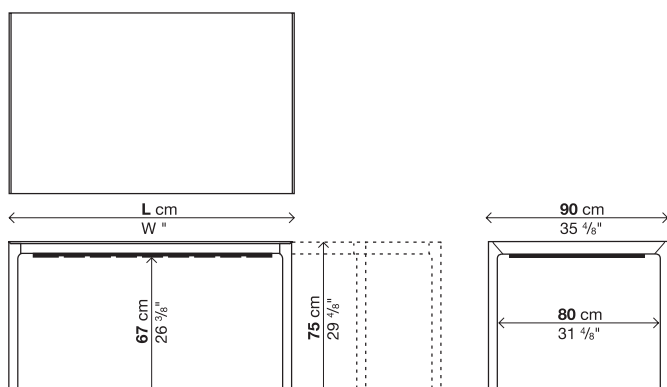
Achtung: Die mit (!) gekennzeichneten Maße oder Ausführungen haben eine längere Produktionszeit: zirka 6 Wochen ab Auftragsdatum.

Für verstärkte Verpackungen siehe Innenseite des Umschlags.

Art.-Nr.	Länge	Beine	Platte				kolli	m ²	Kg
			Alucompact®	Fenix-NTM® mit schwarzer Kante	Pure-white	Fenix-NTM® mit farbiger Kante			
01MAK03	139-176-214	Lackiert					3	0,41	79
01MAK04	166-203-241-278 dritte Verlängerung standard	Lackiert					4	0,5	89
01MAK08*	189-226-263	Lackiert					3	0,51	90
01MAK30*	209-246-283	Lackiert					3	0,55	96

(*) 3. zusätzliche Verlängerung

Art.-Nr.	Länge	Platte				kolli	m ²	Kg
		Alucompact®	Fenix-NTM® mit schwarzer Kante	Pure-white	Fenix-NTM® mit farbiger Kante			
50SUS2A	37,5 cm					1	0,03	6,5



MAKI ALUCOMPACT® / PURE-WHITE / FENIX-NTM®

Fixmaße - Tiefe 90 cm

Ausführung der Beine:

Weiß lackiertes Aluminium (farbähnlich wie RAL 9016)
 "Alucompact® Sandgrau" lackiertes Aluminium (farbähnlich wie RAL 9002)
 "Alucompact® Anthrazitgrau" lackiertes Aluminium (farbähnlich wie RAL 7015)
 Schwarz lackiertes Aluminium (farbähnlich wie RAL 9004)
 Olivgrün lackiertes Aluminium (farbähnlich wie "Polyurethan Olivgrün P008")

Ausführung der Platte:

Laminat Alucompact® (Weiß, Sandgrau, Anthrazitgrau, Schwarz)

 Laminat Pure-white Weiß

 Fenix-NTM® mit schwarzer Kante (Weiß Kos 0032, Grau London 0718, Grau Bromo 0724, Schwarz Ingo 0720)

 Fenix-NTM® mit farbiger Kante (Weiß Kos 0032, Grau London 0718)

Anmerkung:

Achtung: Die mit (!) gekennzeichneten Maße oder Ausführungen haben eine längere Produktionszeit: zirka 6 Wochen ab Auftragsdatum.

Jene Tische, die im ausgezogenen Zustand eine Länge von 250 cm überschreiten, weisen eine leichte Biegung der Platte auf, die jedoch innerhalb der festgelegten qualitativen Standards liegt.

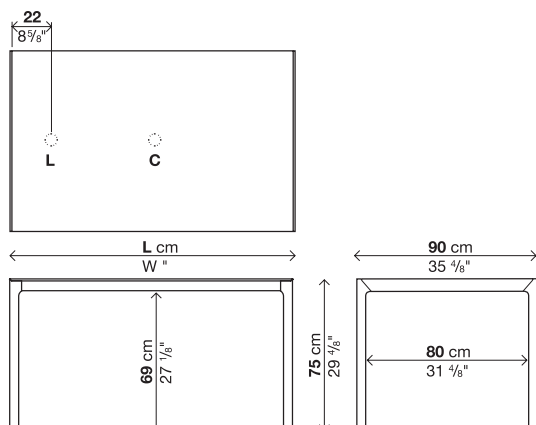
Die Tische mit Länge 269 und 289 cm besitzen unter der Platte eine zentrale Längsstrebe, eventuelle Kabeldurchlässe können daher nicht in der Mitte, sondern nur leicht versetzt angebracht werden.

Für verstärkte Verpackungen siehe Innenseite des Umschlags.

Art.-Nr.	Länge	Beine	Platte				kolli	m³	Kg
			Alucompact®	Fenix-NTM® mit schwarzer Kante	Pure-white	Fenix-NTM® mit farbiger Kante			
01MAK51F	114	Lackiert		-		-	1	0,3	49
01MAK03F	139	Lackiert					1	0,36	54
01MAK04F	166	Lackiert					1	0,42	60
01MAK53F	189	Lackiert					1	0,46	65
01MAK30F	209	Lackiert					1	0,5	70
01MAK55F	229 (!)	Lackiert		-		-	1	0,55	74
01MAK57F	249 (!)	Lackiert		-		-	1	0,59	79
01MAK59F	269 (!)	Lackiert		-		-	1	0,63	87
01MAK61F	289 (!)	Lackiert		-		-	1	0,67	93

Optionen

Art.-Nr.	Beschreibung	kolli	m³	Kg
02FOR01	Seitlicher oder mittlerer Kabeldurchlass	-	-	-
02RET02	Kabelnetz, Kunststoffmaterial	1	0,07	1
02VER01	Kabelschlange, mattes Methacrylat	1	0,007	1,5
02CPU02	CPU-Träger, mattes Methacrylat	1	0,14	5,5



MAKI ALUCOMPACT® / PURE-WHITE / FENIX-NTM®

Erweiterbar - Tiefe 100 cm

Ausführung der Beine:

Weiß lackiertes Aluminium (farbähnlich wie RAL 9016)
 "Alucompact® Sandgrau" lackiertes Aluminium (farbähnlich wie RAL 9002)
 "Alucompact® Anthrazitgrau" lackiertes Aluminium (farbähnlich wie RAL 7015)
 Schwarz lackiertes Aluminium (farbähnlich wie RAL 9004)
 Olivgrün lackiertes Aluminium (farbähnlich wie "Polyurethan Olivgrün P008")

Ausführung der Platte/Verlängerungen:

Laminat Alucompact® (Weiß, Sandgrau, Anthrazitgrau, Schwarz)

 Laminat Pure-white Weiß

 Fenix-NTM® mit schwarzer Kante (Weiß Kos 0032, Grau London 0718, Grau Bromo 0724, Schwarz Ingo 0720)

 Fenix-NTM® mit farbiger Kante (Weiß Kos 0032, Grau London 0718)

Anmerkung:

Bei den Tischen, deren Artikelnummern mit Sternchen (*) markiert sind, ist das Hinzufügen einer dritten Verlängerung möglich, wodurch der Tisch noch größer wird.

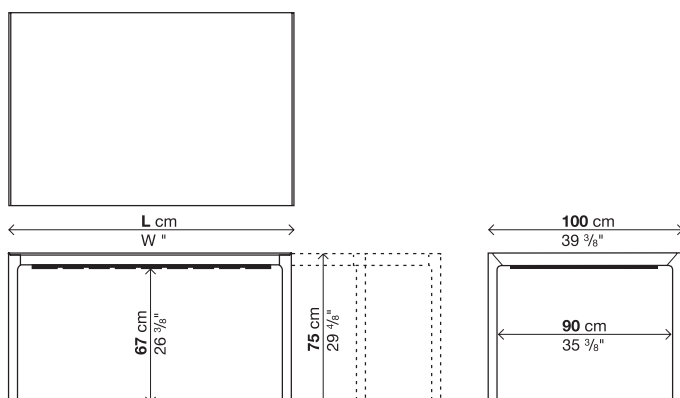
Achtung: Die mit (!) gekennzeichneten Maße oder Ausführungen haben eine längere Produktionszeit: zirka 6 Wochen ab Auftragsdatum.

Für verstärkte Verpackungen siehe Innenseite des Umschlags.

Art.-Nr.	Länge	Beine	Platte				koll.	m³	Kg
			Alucompact®	Fenix-NTM® mit schwarzer Kante	Pure-white	Fenix-NTM® mit farbiger Kante			
01MAK05*	166-213-260	Lackiert					3	0,52	93
01MAK09*	189-236-283	Lackiert					3	0,57	100
01MAK06*	209-256-303	Lackiert					3	0,62	106

(* 3. zusätzliche Verlängerung

Art.-Nr.	Länge	Platte				koll.	m³	Kg
		Alucompact®	Fenix-NTM® mit schwarzer Kante	Pure-white	Fenix-NTM® mit farbiger Kante			
50SUS6A	33 cm					1	0,03	6



MAKI ALUCOMPACT® / PURE-WHITE / FENIX-NTM®

Fixmaße - Tiefe 100 cm

Ausführung der Beine:

Weiß lackiertes Aluminium (farbähnlich wie RAL 9016)
 "Alucompact® Sandgrau" lackiertes Aluminium (farbähnlich wie RAL 9002)
 "Alucompact® Anthrazitgrau" lackiertes Aluminium (farbähnlich wie RAL 7015)
 Schwarz lackiertes Aluminium (farbähnlich wie RAL 9004)
 Olivgrün lackiertes Aluminium (farbähnlich wie "Polyurethan Olivgrün P008")

Ausführung der Platte:

Laminat Alucompact® (Weiß, Sandgrau, Anthrazitgrau, Schwarz)

 Laminat Pure-white Weiß

 Fenix-NTM® mit schwarzer Kante (Weiß Kos 0032, Grau London 0718, Grau Bromo 0724, Schwarz Ingo 0720)

 Fenix-NTM® mit farbiger Kante (Weiß Kos 0032, Grau London 0718)

Anmerkung:

Achtung: Die mit (!) gekennzeichneten Maße oder Ausführungen haben eine längere Produktionszeit: zirka 6 Wochen ab Auftragsdatum.

Jene Tische, die im ausgezogenen Zustand eine Länge von 250 cm überschreiten, weisen eine leichte Biegung der Platte auf, die jedoch innerhalb der festgelegten qualitativen Standards liegt.

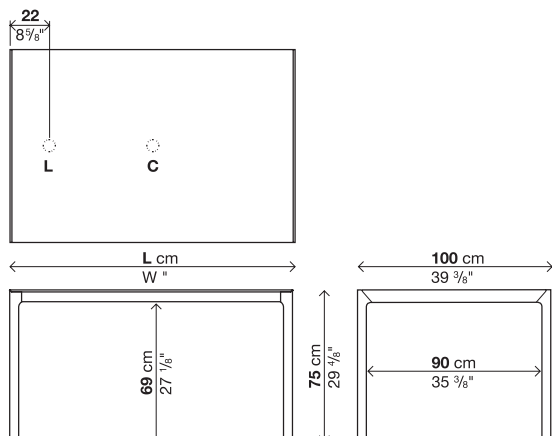
Die Tische mit Länge 269 und 289 cm besitzen unter der Platte eine zentrale Längsstrebe, eventuelle Kabeldurchlässe können daher nicht in der Mitte, sondern nur leicht versetzt angebracht werden.

Für verstärkte Verpackungen siehe Innenseite des Umschlags.

Art.-Nr.	Länge	Beine	Platte				koll.	m ³	Kg
			Alucompact®	Fenix-NTM® mit schwarzer Kante	Pure-white	Fenix-NTM® mit farbiger Kante			
01MAK65F	139	Lackiert		-		-	1	0,39	58
01MAK05F	166	Lackiert					1	0,45	64
01MAK07F	189	Lackiert					1	0,5	70
01MAK06F	209	Lackiert					1	0,55	75
01MAK08F	229 (!)	Lackiert		-		-	1	0,6	80
01MAK67F	249 (!)	Lackiert		-		-	1	0,65	85
01MAK69F	269 (!)	Lackiert		-		-	1	0,69	63
01MAK32F	289 (!)	Lackiert		-		-	1	0,74	98

Optionen

Art.-Nr.	Beschreibung	koll.	m ³	Kg
02FOR01	Seitlicher oder mittlerer Kabeldurchlass	-	-	-
02RET03	Kabelnetz, Kunststoffmaterial	1	0,07	1
02VER01	Kabelschlange, mattes Methacrylat	1	0,007	1,5
02CPU03	CPU-Träger, mattes Methacrylat	1	0,14	5,5



MAKI ALUcompact® / PURE-WHITE

Fixmaße - Tiefe 124 cm

Ausführung der Beine:

Weiß lackiertes Aluminium (farbähnlich wie RAL 9016)
 "Alucompact® Sandgrau" lackiertes Aluminium (farbähnlich wie RAL 9002)
 "Alucompact® Anthrazitgrau" lackiertes Aluminium (farbähnlich wie RAL 7015)
 Schwarz lackiertes Aluminium (farbähnlich wie RAL 9004)
 Olivgrün lackiertes Aluminium (farbähnlich wie "Polyurethan Olivgrün P008")

Ausführung der Platte:

Laminat Alucompact® (Weiß, Sandgrau, Anthrazitgrau, Schwarz)

Laminat Pure-white Weiß

Anmerkung:

Achtung: Die mit (!) gekennzeichneten Maße oder Ausführungen haben eine längere Produktionszeit: zirka 6 Wochen ab Auftragsdatum.

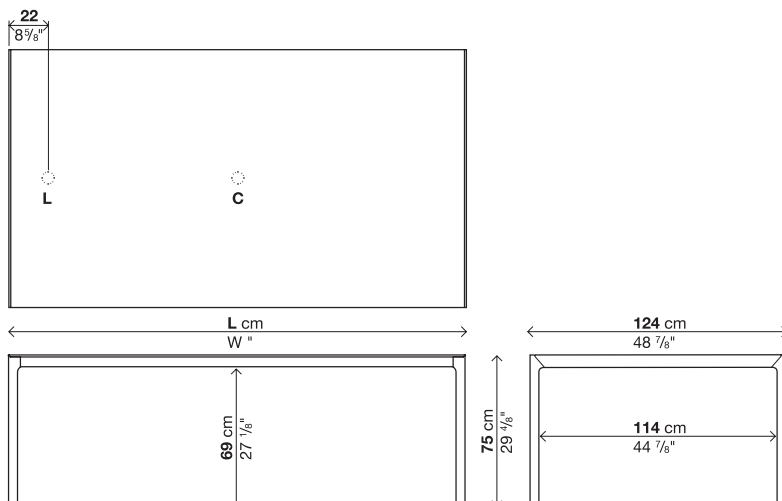
Jene Tische, die im ausgezogenen Zustand eine Länge von 250 cm überschreiten, weisen eine leichte Biegung der Platte auf, die jedoch innerhalb der festgelegten qualitativen Standards liegt.

Für verstärkte Verpackungen siehe Innenseite des Umschlags.

Art.-Nr.	Länge	Beine	Platte		kolli	m ³	Kg
			Alucompact®	Pure-white			
01MAK71F	209 (!)	Lackiert			1	0,66	94
01MAK73F	229 (!)	Lackiert			1	0,72	100
01MAK75F	277 (!)	Lackiert			1	0,85	116

Optionen

Art.-Nr.	Beschreibung	kolli	m ³	Kg
02FOR01	Seitlicher oder mittlerer Kabeldurchlass	-	-	-
02RET04	Kabelnetz, Kunststoffmaterial	1	0,07	1
02VER01	Kabelschlange, mattes Methacrylat	1	0,007	1,5
02CPU04	CPU-Träger, mattes Methacrylat	1	0,14	5,5



MAKI DEKTON® BY COSENTINO

Erweiterbar - Tiefe 90 cm

Ausführung der Beine:

Weiß lackiertes Aluminium (farbähnlich wie RAL 9016)
 "Grau Ventus" lackiertes Aluminium
 Olivgrün lackiertes Aluminium (farbähnlich wie "Polyurethan Olivgrün P008")

Ausführung der Platte:

DEKTON® weiß Zenith
 DEKTON® Grau Ventus
 DEKTON® Aura (digitaler Marmor)

Ausführung der Verlängerungen:

Weiß lackiertes Aluminium (farbähnlich wie RAL 9016)
 "Grau Ventus" lackiertes Aluminium

Anmerkung:

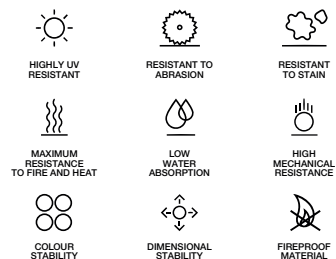
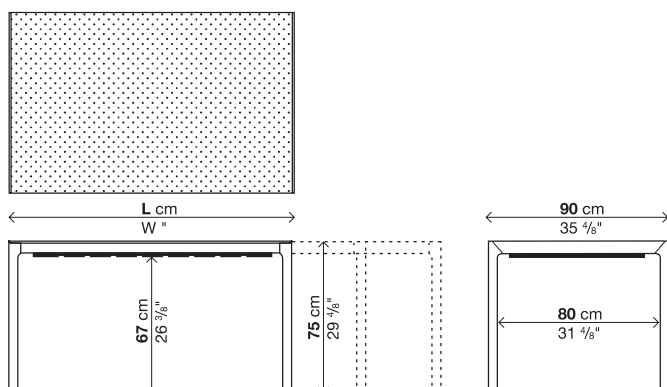
Achtung: Die auf der Oberfläche der Platten aus DEKTON® Aura (digitaler Marmor) nachgebildeten Aderungen werden auf zufällige Art und Weise angebracht, eine Besonderheit, die jede Platte einzigartig und unwiederholbar macht. Dieses Merkmal führt zu eventuellen Unterschieden bei den Mustern, kann jedoch nicht als Imperfektion oder Anomalie beanstandet werden. Aufgrund der gewollten Zufälligkeit ist auch auf Anfrage keine Erzeugung einer mehr oder weniger gleichmäßigen Aderung möglich.

Achtung: Die mit (!) gekennzeichneten Maße oder Ausführungen haben eine längere Produktionszeit: zirka 6 Wochen ab Auftragsdatum.

Jene Tische, die im ausgezogenen Zustand eine Länge von 250 cm überschreiten, weisen eine leichte Biegung der Platte auf, die jedoch innerhalb der festgelegten qualitativen Standards liegt.

Für verstärkte Verpackungen siehe Innenseite des Umschlags.

Art.-Nr.	Länge	Beine	Platte	kolli	m ²	Kg
			DEKTON®			
01MAK03	139-176-214 (!)	Lackiert		3	0,41	97
01MAK04	166-203-241 (!)	Lackiert		3	0,5	110
01MAK08	189-226-263 (!)	Lackiert		3	0,51	113



MAKI DEKTON® BY COSENTINO

Fixmaße - Tiefe 90 cm

Ausführung der Beine:

Weiß lackiertes Aluminium (farbähnlich wie RAL 9016)

"Grau Ventus" lackiertes Aluminium

Olivgrün lackiertes Aluminium (farbähnlich wie "Polyurethan Olivgrün P008")

Ausführung der Platte:

DEKTON® weiß Zenith

DEKTON® Grau Ventus

DEKTON® Aura (digitaler Marmor)

Anmerkung:

Achtung: Die auf der Oberfläche der Platten aus DEKTON® Aura (digitaler Marmor) nachgebildeten Aderungen werden auf zufällige Art und Weise angebracht, eine Besonderheit, die jede Platte einzigartig und unwiederholbar macht. Dieses Merkmal führt zu eventuellen Unterschieden bei den Mustern, kann jedoch nicht als Imperfektion oder Anomalie beanstandet werden. Aufgrund der gewollten Zufälligkeit ist auch auf Anfrage keine Erzeugung einer mehr oder weniger gleichmäßigen Aderung möglich.

Achtung: Die mit (!) gekennzeichneten Maße oder Ausführungen haben eine längere Produktionszeit: zirka 6 Wochen ab Auftragsdatum.

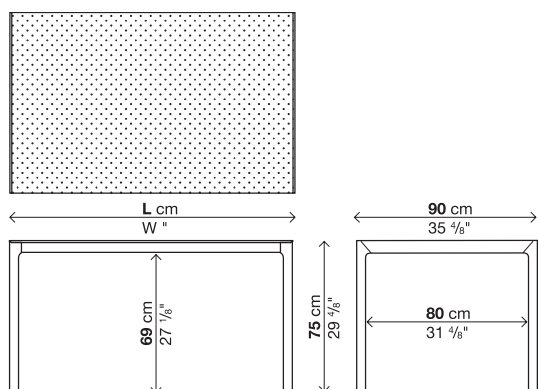
Jene Tische, die im ausgezogenen Zustand eine Länge von 250 cm überschreiten, weisen eine leichte Biegung der Platte auf, die jedoch innerhalb der festgelegten qualitativen Standards liegt.

Für verstärkte Verpackungen siehe Innenseite des Umschlags.

Art.-Nr.	Länge	Beine	Platte	koli	m ³	Kg
			DEKTON®			
01MAK03F	139 (!)	Lackiert		1	0,36	68
01MAK04F	166 (!)	Lackiert		1	0,42	77
01MAK53F	189 (!)	Lackiert		1	0,46	84

Optionen

Art.-Nr.	Beschreibung	koli	m ³	Kg
02RET02	Kabelnetz, Kunststoffmaterial	1	0,07	1
02VER01	Kabelschlange, mattes Methacrylat	1	0,007	1,5
02CPU02	CPU-Träger, mattes Methacrylat	1	0,14	5,5



HIGHLY UV RESISTANT



RESISTANT TO ABRASION



RESISTANT TO STAIN



MAXIMUM RESISTANCE TO FIRE AND HEAT



LOW WATER ABSORPTION



HIGH MECHANICAL RESISTANCE



COLOUR STABILITY



DIMENSIONAL STABILITY



FIREPROOF MATERIAL

MAKI DEKTON® BY COSENTINO

Erweiterbar - Tiefe 100 cm

Ausführung der Beine:

Weiß lackiertes Aluminium (farbähnlich wie RAL 9016)
 "Grau Ventus" lackiertes Aluminium
 Olivgrün lackiertes Aluminium (farbähnlich wie "Polyurethan Olivgrün P008")

Ausführung der Platte:

DEKTON® weiß Zenith
 DEKTON® Grau Ventus
 DEKTON® Aura (digitaler Marmor)

Ausführung der Verlängerungen:

Weiß lackiertes Aluminium (farbähnlich wie RAL 9016)
 "Grau Ventus" lackiertes Aluminium

Anmerkung:

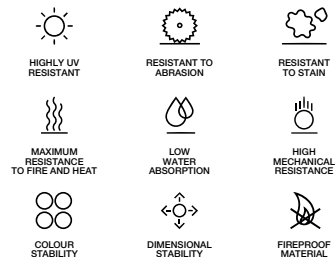
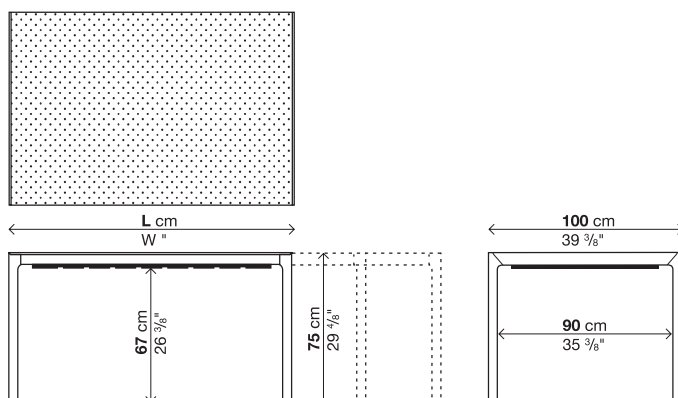
Achtung: Die auf der Oberfläche der Platten aus DEKTON® Aura (digitaler Marmor) nachgebildeten Aderungen werden auf zufällige Art und Weise angebracht, eine Besonderheit, die jede Platte einzigartig und unwiederholbar macht. Dieses Merkmal führt zu eventuellen Unterschieden bei den Mustern, kann jedoch nicht als Imperfektion oder Anomalie beanstandet werden. Aufgrund der gewollten Zufälligkeit ist auch auf Anfrage keine Erzeugung einer mehr oder weniger gleichmäßigen Aderung möglich.

Achtung: Die mit (!) gekennzeichneten Maße oder Ausführungen haben eine längere Produktionszeit: zirka 6 Wochen ab Auftragsdatum.

Jene Tische, die im ausgezogenen Zustand eine Länge von 250 cm überschreiten, weisen eine leichte Biegung der Platte auf, die jedoch innerhalb der festgelegten qualitativen Standards liegt.

Für verstärkte Verpackungen siehe Innenseite des Umschlags.

Art.-Nr.	Länge	Beine	Platte	kolli	m ²	Kg
			DEKTON®			
01MAK05	166-203-240 (!)	Lackiert		3	0,52	116
01MAK09	189-226-263 (!)	Lackiert		3	0,57	126



MAKI DEKTON® BY COSENTINO

Fixmaße - Tiefe 100 cm

Ausführung der Beine:

Weiß lackiertes Aluminium (farbähnlich wie RAL 9016)

"Grau Ventus" lackiertes Aluminium

Olivgrün lackiertes Aluminium (farbähnlich wie "Polyurethan Olivgrün P008")

Ausführung der Platte:

DEKTON® weiß Zenith

DEKTON® Grau Ventus

DEKTON® Aura (digitaler Marmor)

Anmerkung:

Achtung: Die auf der Oberfläche der Platten aus DEKTON® Aura (digitaler Marmor) nachgebildeten Aderungen werden auf zufällige Art und Weise angebracht, eine Besonderheit, die jede Platte einzigartig und unwiederholbar macht. Dieses Merkmal führt zu eventuellen Unterschieden bei den Mustern, kann jedoch nicht als Imperfektion oder Anomalie beanstandet werden. Aufgrund der gewollten Zufälligkeit ist auch auf Anfrage keine Erzeugung einer mehr oder weniger gleichmäßigen Aderung möglich.

Achtung: Die mit (!) gekennzeichneten Maße oder Ausführungen haben eine längere Produktionszeit: zirka 6 Wochen ab Auftragsdatum.

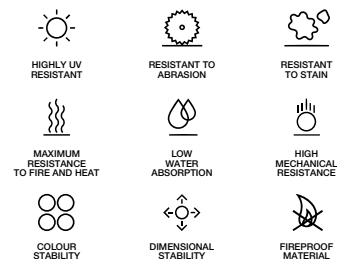
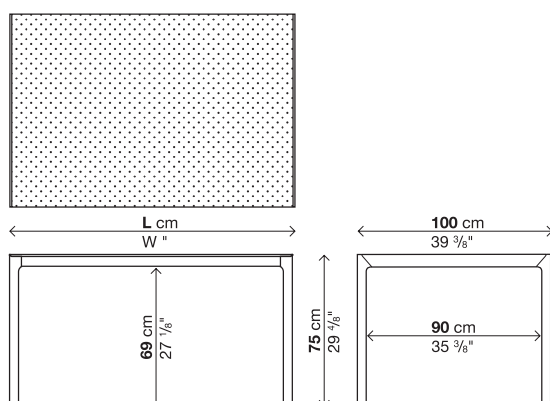
Jene Tische, die im ausgezogenen Zustand eine Länge von 250 cm überschreiten, weisen eine leichte Biegung der Platte auf, die jedoch innerhalb der festgelegten qualitativen Standards liegt.

Für verstärkte Verpackungen siehe Innenseite des Umschlags.

Art.-Nr.	Länge	Beine	Platte	kolli	m ³	Kg
			DEKTON®			
01MAK05F	166 (!)	Lackiert		1	0,45	82
01MAK07F	189 (!)	Lackiert		1	0,5	91
01MAK08F	229 (!)	Lackiert		1	0,6	105
01MAK69F	269 (!)	Lackiert		1	0,69	123

Optionen

Art.-Nr.	Beschreibung	kolli	m ³	Kg
02RET03	Kabelnetz, Kunststoffmaterial	1	0,07	1
02VER01	Kabelschlange, mattes Methacrylat	1	0,007	1,5
02CPU03	CPU-Träger, mattes Methacrylat	1	0,14	5,5



MAKI HOLZ

Erweiterbar - Tiefe 90 cm

Ausführung der Beine:

Weiß lackiertes Aluminium (farbähnlich wie RAL 9016)
 "Alucompact® Sandgrau" lackiertes Aluminium (farbähnlich wie RAL 9002)
 "Alucompact® Anthrazitgrau" lackiertes Aluminium (farbähnlich wie RAL 7015)
 Lackiertes Aluminium "Fenix-NTM® Grau London" (farbähnlich wie RAL Design0805005)
 Schwarz lackiertes Aluminium (farbähnlich wie RAL 9004)
 Olivgrün lackiertes Aluminium (farbähnlich wie "Polyurethan Olivgrün P008")

Ausführung der Platte/Verlängerungen:

Holz, Effekt europäische Eiche
 Holz, Effekt Nussbaum
 Holz, Effekt Eiche Farbe Schwarz

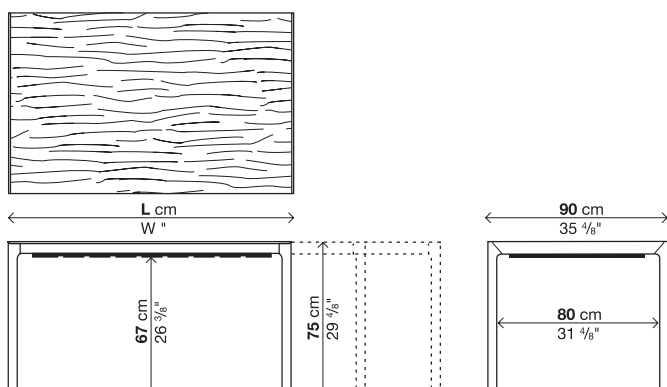
Anmerkung:

Achtung: Die mit (!) gekennzeichneten Maße oder Ausführungen haben eine längere Produktionszeit: zirka 6 Wochen ab Auftragsdatum.

Jene Tische, die im ausgezogenen Zustand eine Länge von 250 cm überschreiten, weisen eine leichte Biegung der Platte auf, die jedoch innerhalb der festgelegten qualitativen Standards liegt.

Für verstärkte Verpackungen siehe Innenseite des Umschlags.

Art.-Nr.	Länge	Beine	Platte	kolli	m³	Kg
			Holz			
01MAK04	166-201-236-271 mit drei Verlängerungen	Lackiert		4	0,5	89
01MAK08	189-224-259-294 mit drei Verlängerungen	Lackiert		4	0,54	96,5
01MAK30	209-253-297 (!) mit zwei Verlängerungen	Lackiert		3	0,55	96



MAKI HOLZ

Fixmaße - Tiefe 90 cm

Ausführung der Beine:

Weiß lackiertes Aluminium (farbähnlich wie RAL 9016)

"Alucompact® Sandgrau" lackiertes Aluminium (farbähnlich wie RAL 9002)

"Alucompact® Anthrazitgrau" lackiertes Aluminium (farbähnlich wie RAL 7015)

Lackiertes Aluminium "Fenix-NTM® Grau London" (farbähnlich wie RAL Design0805005)

Schwarz lackiertes Aluminium (farbähnlich wie RAL 9004)

Olivgrün lackiertes Aluminium (farbähnlich wie "Polyurethan Olivgrün P008")

Ausführung der Platte:

Holz, Effekt europäische Eiche

Holz, Effekt Nussbaum

Holz, Effekt Eiche Farbe Schwarz

Anmerkung:

Achtung: Die mit (!) gekennzeichneten Maße oder Ausführungen haben eine längere Produktionszeit: zirka 6 Wochen ab Auftragsdatum.

Jene Tische, die im ausgezogenen Zustand eine Länge von 250 cm überschreiten, weisen eine leichte Biegung der Platte auf, die jedoch innerhalb der festgelegten qualitativen Standards liegt.

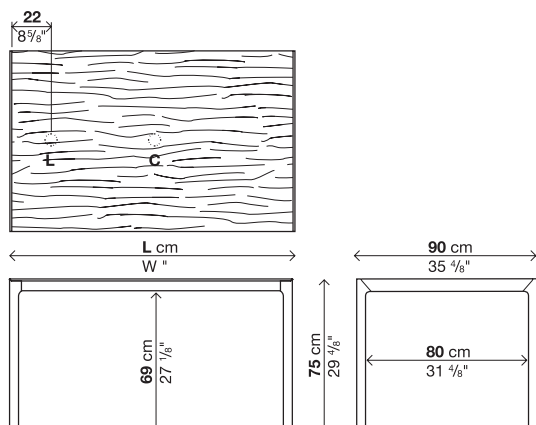
Die Tische mit Länge 269 und 289 cm besitzen unter der Platte eine zentrale Längsstrebe, eventuelle Kabeldurchlässe können daher nicht in der Mitte, sondern nur leicht versetzt angebracht werden.

Für verstärkte Verpackungen siehe Innenseite des Umschlags.

Art.-Nr.	Länge	Beine	Platte	kolli	m³	Kg
			Holz			
01MAK53F	189	Lackiert		1	0,46	65
01MAK30F	209 (!)	Lackiert		1	0,5	70
01MAK55F	229 (!)	Lackiert		1	0,55	74
01MAK57F	249 (!)	Lackiert		1	0,59	79
01MAK59F	269 (!)	Lackiert		1	0,63	87
01MAK61F	289 (!)	Lackiert		1	0,67	93

Optionen

Art.-Nr.	Beschreibung	kolli	m³	Kg
02FOR01	Seitlicher oder mittlerer Kabeldurchlass	-	-	-
02RET02	Kabelnetz, Kunststoffmaterial	1	0,07	1
02VER01	Kabelschlange, mattes Methacrylat	1	0,007	1,5
02CPU02	CPU-Träger, mattes Methacrylat	1	0,14	5,5



MAKI HOLZ

Erweiterbar - Tiefe 100 cm

Ausführung der Beine:

Weiß lackiertes Aluminium (farbähnlich wie RAL 9016)
 "Alucompact® Sandgrau" lackiertes Aluminium (farbähnlich wie RAL 9002)
 "Alucompact® Anthrazitgrau" lackiertes Aluminium (farbähnlich wie RAL 7015)
 Lackiertes Aluminium "Fenix-NTM® Grau London" (farbähnlich wie RAL Design0805005)
 Schwarz lackiertes Aluminium (farbähnlich wie RAL 9004)
 Olivgrün lackiertes Aluminium (farbähnlich wie "Polyurethan Olivgrün P008")

Anmerkung:

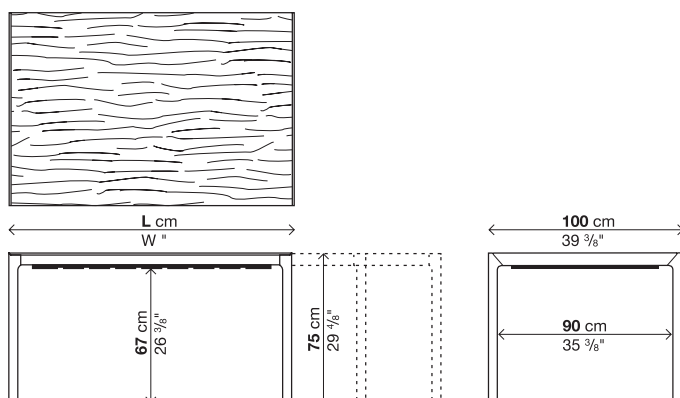
Jene Tische, die im ausgezogenen Zustand eine Länge von 250 cm überschreiten, weisen eine leichte Biegung der Platte auf, die jedoch innerhalb der festgelegten qualitativen Standards liegt.

Für verstärkte Verpackungen siehe Innenseite des Umschlags.

Ausführung der Platte/Verlängerungen:

Holz, Effekt europäische Eiche
 Holz, Effekt Nussbaum
 Holz, Effekt Eiche Farbe Schwarz

Art.-Nr.	Länge	Beine	Platte	kolli	m ³	Kg
			Holz			
01MAK05	166-201-236-271 mit drei Verlängerungen	Lackiert		4	0,55	91
01MAK09	189-224-259-294 mit drei Verlängerungen	Lackiert		4	0,6	98
01MAK06	209-253-297 mit zwei Verlängerungen	Lackiert		3	0,62	98



MAKI HOLZ

Fixmaße - Tiefe 100 cm

Ausführung der Beine:

Weiß lackiertes Aluminium (farbähnlich wie RAL 9016)

"Alucompact® Sandgrau" lackiertes Aluminium (farbähnlich wie RAL 9002)

"Alucompact® Anthrazitgrau" lackiertes Aluminium (farbähnlich wie RAL 7015)

Lackiertes Aluminium "Fenix-NTM® Grau London" (farbähnlich wie RAL Design0805005)

Schwarz lackiertes Aluminium (farbähnlich wie RAL 9004)

Olivgrün lackiertes Aluminium (farbähnlich wie "Polyurethan Olivgrün P008")

Ausführung der Platte:

Holz, Effekt europäische Eiche

Holz, Effekt Nussbaum

Holz, Effekt Eiche Farbe Schwarz

Anmerkung:

Achtung: Die mit (!) gekennzeichneten Maße oder Ausführungen haben eine längere Produktionszeit: zirka 6 Wochen ab Auftragsdatum.

Jene Tische, die im ausgezogenen Zustand eine Länge von 250 cm überschreiten, weisen eine leichte Biegung der Platte auf, die jedoch innerhalb der festgelegten qualitativen Standards liegt.

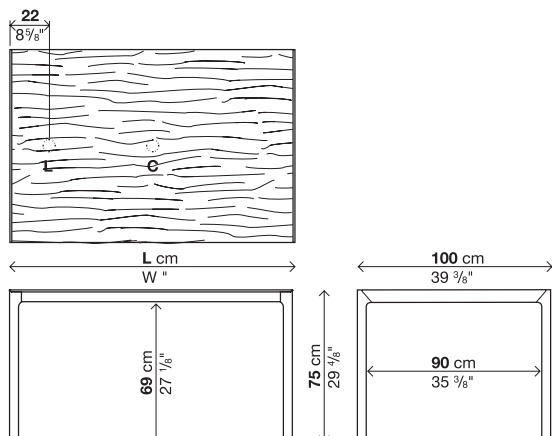
Die Tische mit Länge 269 und 289 cm besitzen unter der Platte eine zentrale Längsstrebe, eventuelle Kabeldurchlässe können daher nicht in der Mitte, sondern nur leicht versetzt angebracht werden.

Für verstärkte Verpackungen siehe Innenseite des Umschlags.

Art.-Nr.	Länge	Beine	Platte	kolli	m ²	Kg
			Holz			
01MAK07F	189	Lackiert		1	0,5	70
01MAK06F	209	Lackiert		1	0,55	75
01MAK08F	229 (!)	Lackiert		1	0,6	80
01MAK67F	249 (!)	Lackiert		1	0,65	85
01MAK69F	269 (!)	Lackiert		1	0,69	93
01MAK32F	289 (!)	Lackiert		1	0,74	98

Optionen

Art.-Nr.	Beschreibung	kolli	m ²	Kg
02FOR01	Seitlicher oder mittlerer Kabeldurchlass	-	-	-
02RET02	Kabelnetz, Kunststoffmaterial	1	0,07	1
02VER01	Kabelschlange, mattes Methacrylat	1	0,007	1,5
02CPU03	CPU-Träger, mattes Methacrylat	1	0,14	5,5



MAKI GLAS

Erweiterbar - Tiefe 80 cm

Ausführung der Beine:

Weiß lackiertes Aluminium (farbähnlich wie RAL 9016)

Schwarz lackiertes Aluminium (farbähnlich wie RAL 9004)

Ausführung der Platte:

Glas hochglanz in den Farben: Extraweiß, Anthrazit, Schwarz

Glas matt in den Farben: Extraweiß, Anthrazit, Schwarz, Titan

Ausführung der Verlängerungen:

Laminat Alucompact® Weiß

Laminat Alucompact® Sandgrau

Laminat Alucompact® Anthrazitgrau

Laminat Alucompact® Schwarz

Anmerkung:

Bei den Tischen, deren Artikelnummern mit Sternchen (*) markiert sind, ist das Hinzufügen einer dritten Verlängerung möglich, wodurch der Tisch noch größer wird.

Achtung: Die mit (!) gekennzeichneten Maße oder Ausführungen haben eine längere Produktionszeit: zirka 6 Wochen ab Auftragsdatum.

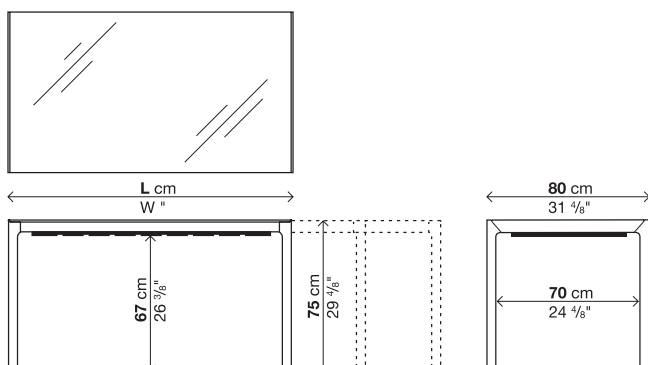
Jene Tische, die im ausgezogenen Zustand eine Länge von 250 cm überschreiten, weisen eine leichte Biegung der Platte auf, die jedoch innerhalb der festgelegten qualitativen Standards liegt.

Für verstärkte Verpackungen siehe Innenseite des Umschlags.

Art.-Nr.	Länge	Beine	Platte		kolli	m³	Kg
			Glas hochglanz	Glas matt			
01MAK11	114-154-194	Lackiert			3	0,32	72
01MAK12	139-179-219	Lackiert			3	0,37	80
01MAK16*	166-206-246	Lackiert			3	0,42	87

(*) 3 zusätzliche Verlängerung

Art.-Nr.	Länge	Platte		kolli	m³	Kg
		Alucompact®				
50SUS5A	33 cm			1	0,03	6



MAKI GLAS

Fixmaße - Tiefe 80 cm

Ausführung der Beine:

Weiß lackiertes Aluminium (farbähnlich wie RAL 9016)

Schwarz lackiertes Aluminium (farbähnlich wie RAL 9004)

Ausführung der Platte:

Glas hochglanz in den Farben: Extraweiß, Anthrazit, Schwarz

Glas matt in den Farben: Extraweiß, Anthrazit, Schwarz, Titan

Anmerkung:

Achtung: Die mit (!) gekennzeichneten Maße oder Ausführungen haben eine längere Produktionszeit: zirka 6 Wochen ab Auftragsdatum.

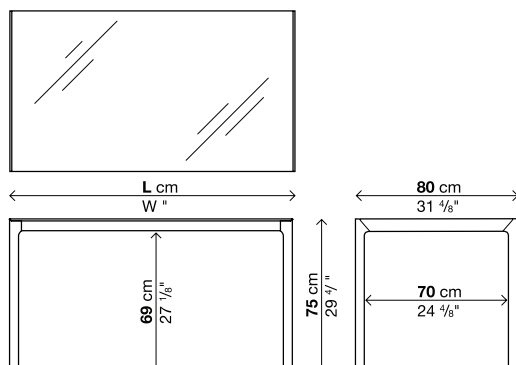
Jene Tische, die im ausgezogenen Zustand eine Länge von 250 cm überschreiten, weisen eine leichte Biegung der Platte auf, die jedoch innerhalb der festgelegten qualitativen Standards liegt.

Für verstärkte Verpackungen siehe Innenseite des Umschlags.

Art.-Nr.	Länge	Beine	Platte		koli	m ³	Kg
			Glas hochglanz	Glas matt			
01MAK11F	114	Lackiert			1	0,27	52
01MAK12F	139	Lackiert			1	0,32	60
01MAK29F	166	Lackiert			1	0,37	66
01MAK34F	189	Lackiert			1	0,41	74
01MAK36F	209	Lackiert			1	0,45	80
01MAK38F	229 (!)	Lackiert			1	0,49	85
01MAK44F	249 (!)	Lackiert			1	0,53	91
01MAK46F	269 (!)	Lackiert			1	0,57	96
01MAK48F	289 (!)	Lackiert			1	0,61	102

Optionen

Art.-Nr.	Beschreibung	koli	m ³	Kg
02RET01	Kabelnetz, Kunststoffmaterial	1	0,07	1
02VER01	Kabelschlange, mattes Methacrylat	1	0,007	1,5
02CPU01	CPU-Träger, mattes Methacrylat	1	0,14	5,5



MAKI GLAS

Erweiterbar - Tiefe 90 cm

Ausführung der Beine:

Weiß lackiertes Aluminium (farbähnlich wie RAL 9016)

Schwarz lackiertes Aluminium (farbähnlich wie RAL 9004)

Ausführung der Platte:

Glas hochglanz in den Farben: Extraweiß, Anthrazit, Schwarz

Glas matt in den Farben: Extraweiß, Anthrazit, Schwarz, Titan

Ausführung der Verlängerungen:

Laminat Alucompact® Weiß

Laminat Alucompact® Sandgrau

Laminat Alucompact® Anthrazitgrau

Laminat Alucompact® Schwarz

Anmerkung:

Bei den Tischen, deren Artikelnummern mit Sternchen (*) markiert sind, ist das Hinzufügen einer dritten Verlängerung möglich, wodurch der Tisch noch größer wird.

Achtung: Die mit (!) gekennzeichneten Maße oder Ausführungen haben eine längere Produktionszeit: zirka 6 Wochen ab Auftragsdatum.

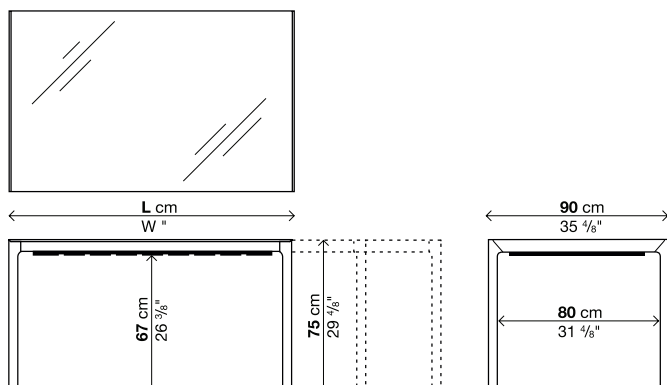
Jene Tische, die im ausgezogenen Zustand eine Länge von 250 cm überschreiten, weisen eine leichte Biegung der Platte auf, die jedoch innerhalb der festgelegten qualitativen Standards liegt.

Für verstärkte Verpackungen siehe Innenseite des Umschlags.

Art.-Nr.	Länge	Beine	Platte		kolli	m ²	Kg
			Glas hochglanz	Glas matt			
01MAK13	139-176-214	Lackiert			3	0,41	89
01MAK14	166-203-241-278 dritte Verlängerung standard	Lackiert			4	0,5	104
01MAK18*	189-226-263	Lackiert			3	0,51	106
01MAK40*	209-246-283	Lackiert			3	0,55	113

(*) 3. zusätzliche Verlängerung

Art.-Nr.	Länge	Platte		kolli	m ²	Kg
		Alucompact®				
50SUS2A	37,5 cm			1	0,03	6,5



MAKI GLAS

Fixmaße - Tiefe 90 cm

Ausführung der Beine:

Weiß lackiertes Aluminium (farbähnlich wie RAL 9016)

Schwarz lackiertes Aluminium (farbähnlich wie RAL 9004)

Ausführung der Platte:

Glas hochglanz in den Farben: Extraweiß, Anthrazit, Schwarz

Glas matt in den Farben: Extraweiß, Anthrazit, Schwarz, Titan

Anmerkung:

Achtung: Die mit (!) gekennzeichneten Maße oder Ausführungen haben eine längere Produktionszeit: zirka 6 Wochen ab Auftragsdatum.

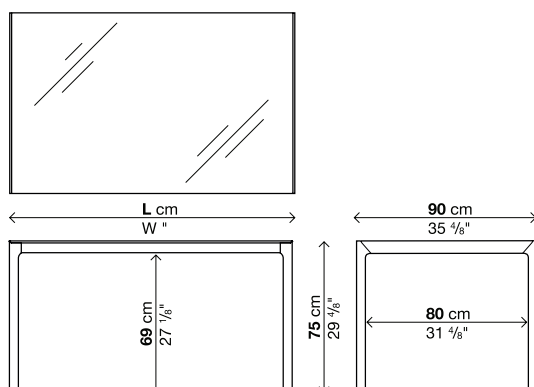
Jene Tische, die im ausgezogenen Zustand eine Länge von 250 cm überschreiten, weisen eine leichte Biegung der Platte auf, die jedoch innerhalb der festgelegten qualitativen Standards liegt.

Für verstärkte Verpackungen siehe Innenseite des Umschlags.

Art.-Nr.	Länge	Beine	Platte		koll. m ³ Kg
			Glas hochglanz	Glas matt	
01MAK52F	114	Lackiert			1 0,3 59
01MAK13F	139	Lackiert			1 0,36 66
01MAK14F	166	Lackiert			1 0,42 75
01MAK54F	189	Lackiert			1 0,46 82
01MAK40F	209	Lackiert			1 0,5 88
01MAK56F	229 (!)	Lackiert			1 0,55 94
01MAK58F	249 (!)	Lackiert			1 0,59 100
01MAK60F	269 (!)	Lackiert			1 0,63 111
01MAK62F	289 (!)	Lackiert			1 0,67 117

Optionen

Art.-Nr.	Beschreibung	koll. m ³ Kg
02RET02	Kabelnetz, Kunststoffmaterial	1 0,07 1
02VER01	Kabelschlange, mattes Methacrylat	1 0,007 1,5
02CPU02	CPU-Träger, mattes Methacrylat	1 0,14 5,5



MAKI GLAS

Erweiterbar - Tiefe 100 cm

Ausführung der Beine:

Weiß lackiertes Aluminium (farbähnlich wie RAL 9016)

Schwarz lackiertes Aluminium (farbähnlich wie RAL 9004)

Ausführung der Platte:

Glas hochglanz in den Farben: Extraweiß, Anthrazit, Schwarz

Glas matt in den Farben: Extraweiß, Anthrazit, Schwarz, Titan

Ausführung der Verlängerungen:

Laminat Alucompact® Weiß

Laminat Alucompact® Sandgrau

Laminat Alucompact® Anthrazitgrau

Laminat Alucompact® Schwarz

Anmerkung:

Bei den Tischen, deren Artikelnummern mit Sternchen (*) markiert sind, ist das Hinzufügen einer dritten Verlängerung möglich, wodurch der Tisch noch größer wird.

Achtung: Die mit (!) gekennzeichneten Maße oder Ausführungen haben eine längere Produktionszeit: zirka 6 Wochen ab Auftragsdatum.

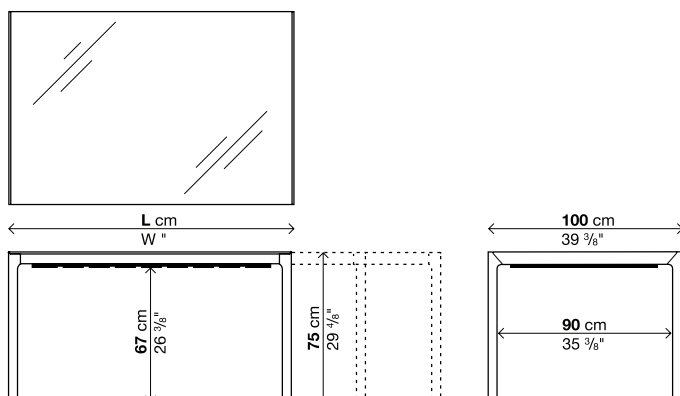
Jene Tische, die im ausgezogenen Zustand eine Länge von 250 cm überschreiten, weisen eine leichte Biegung der Platte auf, die jedoch innerhalb der festgelegten qualitativen Standards liegt.

Für verstärkte Verpackungen siehe Innenseite des Umschlags.

Art.-Nr.	Länge	Beine	Platte		kolli	m ³	Kg
			Glas hochglanz	Glas matt			
01MAK15*	166-213-260	Lackiert			3	0,52	109
01MAK19*	189-236-283	Lackiert			3	0,57	116
01MAK17*	209-256-303	Lackiert			3	0,62	126

(*) 3. zusätzliche Verlängerung

Art.-Nr.	Länge	Platte		kolli	m ³	Kg
		Alucompact®				
50SUS6A	33 cm			1	0,03	6



MAKI GLAS

Fixmaße - Tiefe 100 cm

Ausführung der Beine:

Weiß lackiertes Aluminium (farbähnlich wie RAL 9016)

Schwarz lackiertes Aluminium (farbähnlich wie RAL 9004)

Ausführung der Platte:

Glas hochglanz in den Farben: Extraweiß, Anthrazit, Schwarz

Glas matt in den Farben: Extraweiß, Anthrazit, Schwarz, Titan

Anmerkung:

Achtung: Die mit (!) gekennzeichneten Maße oder Ausführungen haben eine längere Produktionszeit: zirka 6 Wochen ab Auftragsdatum.

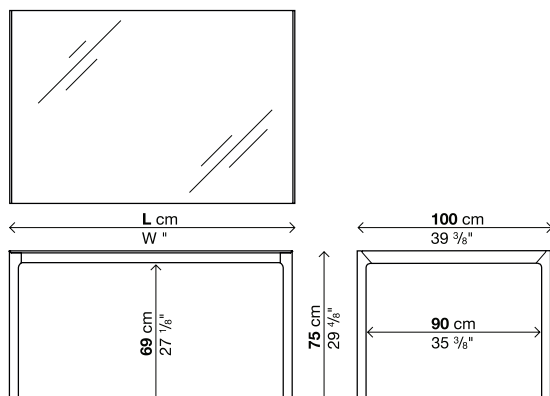
Jene Tische, die im ausgezogenen Zustand eine Länge von 250 cm überschreiten, weisen eine leichte Biegung der Platte auf, die jedoch innerhalb der festgelegten qualitativen Standards liegt.

Für verstärkte Verpackungen siehe Innenseite des Umschlags.

Art.-Nr.	Länge	Beine	Platte		kolli	m ³	Kg
			Glas hochglanz	Glas matt			
01MAK66F	139	Lackiert			1	0,39	71
01MAK15F	166	Lackiert			1	0,45	80
01MAK18F	189	Lackiert			1	0,5	88
01MAK17F	209	Lackiert			1	0,55	94
01MAK19F	229 (!)	Lackiert			1	0,6	101
01MAK68F	249 (!)	Lackiert			1	0,65	108
01MAK70F	269 (!)	Lackiert			1	0,69	118
01MAK42F	289 (!)	Lackiert			1	0,74	126

Optionen

Art.-Nr.	Beschreibung	kolli	m ³	Kg
02RET03	Kabelnetz, Kunststoffmaterial	1	0,07	1
02VER01	Kabelschlange, mattes Methacrylat	1	0,007	1,5
02CPU03	CPU-Träger, mattes Methacrylat	1	0,14	5,5



MAKI GLAS

Fixmaße - Tiefe 124 cm

Ausführung der Beine:

Weiß lackiertes Aluminium (farbähnlich wie RAL 9016)

Schwarz lackiertes Aluminium (farbähnlich wie RAL 9004)

Ausführung der Platte:

Glas hochglanz in den Farben: Extraweiß, Anthrazit, Schwarz

Glas matt in den Farben: Extraweiß, Anthrazit, Schwarz, Titan

Anmerkung:

Achtung: Die mit (!) gekennzeichneten Maße oder Ausführungen haben eine längere Produktionszeit: zirka 6 Wochen ab Auftragsdatum.

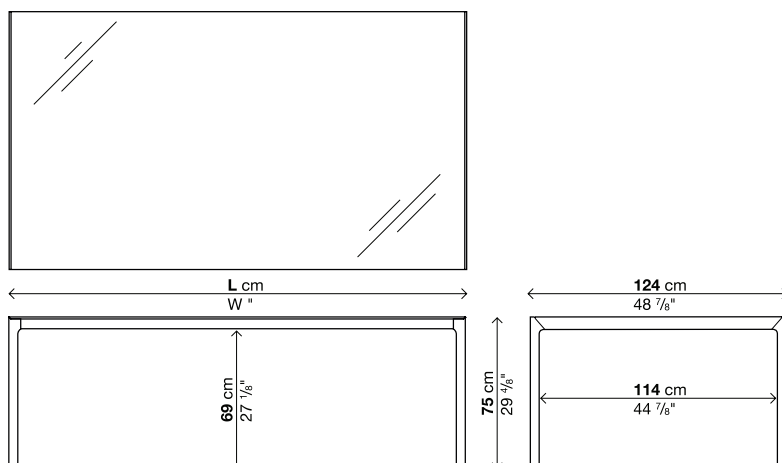
Jene Tische, die im ausgezogenen Zustand eine Länge von 250 cm überschreiten, weisen eine leichte Biegung der Platte auf, die jedoch innerhalb der festgelegten qualitativen Standards liegt.

Für verstärkte Verpackungen siehe Innenseite des Umschlags.

Art.-Nr.	Länge	Beine	Platte		kolli	m ³	Kg
			Glas hochglanz	Glas matt			
01MAK72F	209 (!)	Lackiert			1	0,66	117
01MAK74F	229 (!)	Lackiert			1	0,72	126
01MAK76F	277 (!)	Lackiert			1	0,85	148

Optionen

Art.-Nr.	Beschreibung	kolli	m ³	Kg
02RET04	Kabelnetz, Kunststoffmaterial	1	0,07	1
02VER01	Kabelschlange, mattes Methacrylat	1	0,007	1,5
02CPU04	CPU-Träger, mattes Methacrylat	1	0,14	5,5



MAKI

Dimensions

Prof. 80 cm Depth 314/8"

80	114 cm 447/8"	→ Alucompact® → Pure-white → Verre
	114/154/194 cm 447/8/605/8/763/8"	→ Alucompact® → Pure-white → Verre
	139 cm 546/8"	→ Alucompact® → Pure-white → Verre
	139/179/219 cm 546/8/704/8/862/8"	→ Alucompact® → Pure-white → Verre
	166 cm 653/8"	→ Alucompact® → Pure-white → Verre
	166/206/246 cm 653/8/811/8/967/8"	→ Alucompact® → Pure-white → Verre *
	189 cm 743/8"	→ Alucompact® → Pure-white → Verre
	209 cm 822/8"	→ Alucompact® → Pure-white → Verre
	229 cm 901/8"	→ Alucompact® → Pure-white → Verre
	249 cm 98"	→ Alucompact® → Pure-white → Verre
	269 cm 1057/8"	→ Alucompact® → Pure-white → Verre
	289 cm 1136/8"	→ Alucompact® → Pure-white → Verre

Prof. 90 cm Depth 353/8"

90	114 cm 447/8"	→ Alucompact® → Pure-white → Verre
	139 cm 546/8"	→ Alucompact® → Pure-white → Fenix-NTM® → Verre → DEKTON®
	139/176/214 cm 546/8/692/8/842/8"	→ Alucompact® → Pure-white → Fenix-NTM® → Verre → DEKTON®
	166 cm 653/8"	→ Alucompact® → Pure-white → Fenix-NTM® → Verre → DEKTON®
	166/203/241/278 cm 653/8/797/8/947/8/1094/8"	→ Alucompact® → Pure-white → Fenix-NTM® → Verre
	166/203/241 cm 653/8/797/8/947/8"	→ DEKTON®
	166/201/236/271 cm 653/8/791/8/927/8/1066/8"	→ Bois
	189 cm 743/8"	→ Alucompact® → Pure-white → Fenix-NTM® → Verre → DEKTON® → Bois
	189/226/263 cm 743/8/89/1034/8"	→ Alucompact® → Pure-white → Fenix-NTM® → Verre *
	189/226/263 cm 743/8/89/1034/8"	→ DEKTON®
	189/224/259/294 cm 743/8/882/8/102/1156/8"	→ Bois
	209 cm 822/8"	→ Alucompact® → Pure-white → Fenix-NTM® → Verre → Bois
	209/246/283 cm 822/8/967/8/1113/8"	→ Alucompact® → Pure-white → Fenix-NTM® → Verre *
	209/253/297 cm 822/8/995/8/1167/8"	→ Bois
	229 cm 901/8"	→ Alucompact® → Pure-white → Verre → Bois
	249 cm 98"	→ Alucompact® → Pure-white → Verre → Bois
	269 cm 1057/8"	→ Alucompact® → Pure-white → Verre → Bois
	289 cm 1136/8"	→ Alucompact® → Pure-white → Verre → Bois

Prof. 100 cm Depth 393/8"

100	139 cm 546/8"	→ Alucompact® → Pure-white → Verre
	166 cm 653/8"	→ Alucompact® → Pure-white → Fenix-NTM® → Verre → DEKTON®
	166/213/260 cm 653/8/837/8/1023/8"	→ Alucompact® → Pure-white → Fenix-NTM® → Verre *
	166/203/240 cm 653/8/797/8/944/8"	→ DEKTON®
	166/201/236/271 cm 653/8/791/8/927/8/1066/8"	→ Bois
	189 cm 743/8"	→ Alucompact® → Pure-white → Fenix-NTM® → Verre → DEKTON® → Bois
	189/236/283 cm 743/8/927/8/1113/8"	→ Alucompact® → Pure-white → Fenix-NTM® → Verre *
	189/226/263 cm 743/8/89/1034/8"	→ DEKTON®
	189/224/259/294 cm 743/8/882/8/102/1156/8"	→ Bois
	209 cm 822/8"	→ Alucompact® → Pure-white → Fenix-NTM® → Verre → Bois
	209/256/303 cm 822/8/1006/8/1192/8"	→ Alucompact® → Pure-white → Fenix-NTM® → Verre *
	209/253/297 cm 822/8/995/8/1167/8"	→ Bois
	229 cm 901/8"	→ Alucompact® → Pure-white → Verre → DEKTON® → Bois
	249 cm 98"	→ Alucompact® → Pure-white → Verre → Bois
	269 cm 1057/8"	→ Alucompact® → Pure-white → Verre → DEKTON® → Bois
	289 cm 1136/8"	→ Alucompact® → Pure-white → Verre → Bois

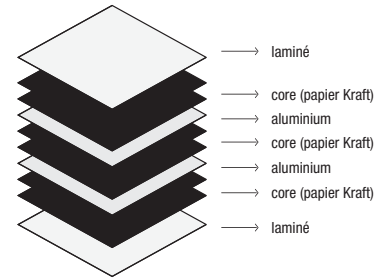
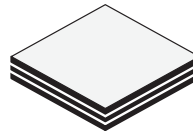
* = 3ème rallonge supplémentaire (sur demande)

Plateaux

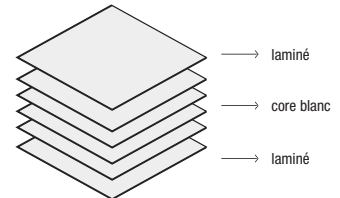
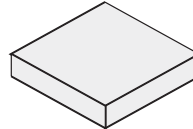
Prof. 124 cm
Depth 48 3/8"

124	209 cm 82 2/8"	→ Alucompact® → Pure-white → Verre
	229 cm 90 1/8"	→ Alucompact® → Pure-white → Verre
	277 cm 109"	→ Alucompact® → Pure-white → Verre

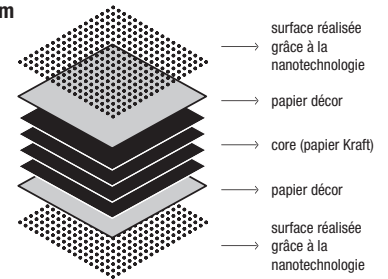
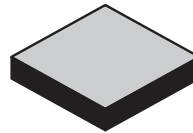
Alucompact® Ép. 10 mm



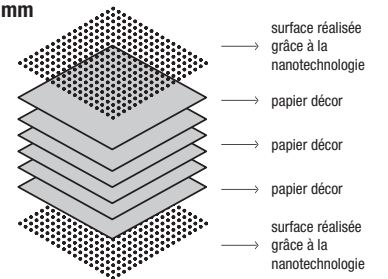
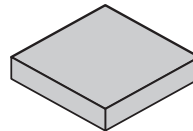
Pure-white Ép. 10 mm



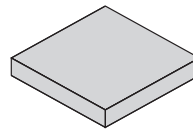
Fenix-NTM® chant noir Ép. 10 mm



Fenix-NTM® chant coloré Ép. 10 mm

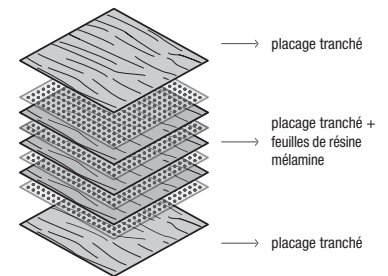
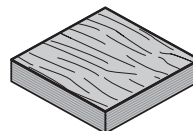


DEKTON® by Cosentino Ép. 8 mm

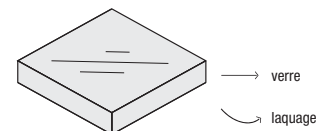
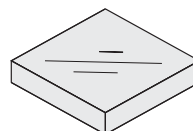


Dekton est un mélange sophistiqué de matières premières utilisées pour la fabrication du verre, de céramique de dernière génération et de surfaces en quartz de très haute qualité

Bois Ép. 10 mm



Verre Ép. 10 mm



MAKI ALUcompact® / PURE-WHITE

Extensible - Profondeur 80 cm

Finition piètement:

Aluminium laqué blanc (semblable à la teinte RAL 9016)

Aluminium laqué "Alucompact® gris sable" (semblable à la teinte RAL 9002)

Aluminium laqué "Alucompact® gris anthracite" (semblable à la teinte RAL 7015)

Aluminium laqué noir (semblable à la teinte RAL 9004)

Finition du plateau/rallonges:

Laminé Alucompact® (blanc, gris sable, gris anthracite, noir)

Laminé Pure-white blanc

Notes:

Pour les modèles de table marqués d'un astérisque (*), il est possible d'ajouter une troisième rallonge pour augmenter davantage l'extension.

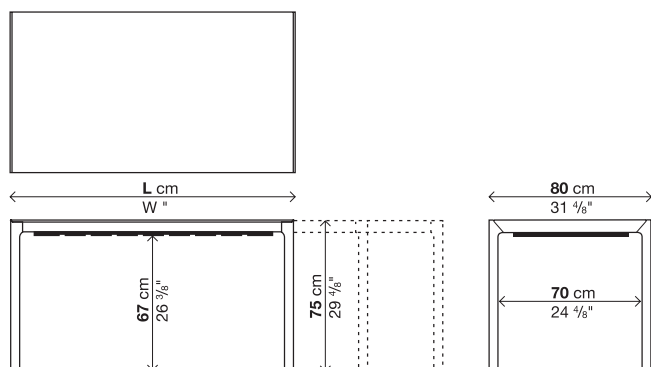
Attention: les dimensions et les finitions marquées par un point d'exclamation (!) ont des délais de production plus longs (environ 6 semaines à partir de la date de la commande).

Emballages renforcés, voir intérieur de la couverture.

Code	Longueur	Pieds	Plateau		colis	m ³	Kg
			Alucompact®	Pure-white (!)			
01MAK01	114-154-194	Laqué			3	0,32	63
01MAK02	139-179-219	Laqué			3	0,37	69
01MAK07*	166-206-246	Laqué			3	0,42	75

(*) 3ème rallonge supplémentaire

Code	Longueur	Plateau		colis	m ³	Kg
		Alucompact®	Pure-white			
50SUS5A	33 cm			1	0,03	6



MAKI ALUCOMPACT® / PURE-WHITE

Fixe - Profondeur 80 cm

Finition piètement:

Aluminium laqué blanc (semblable à la teinte RAL 9016)
 Aluminium laqué "Alucompact® gris sable" (semblable à la teinte RAL 9002)
 Aluminium laqué "Alucompact® gris anthracite" (semblable à la teinte RAL 7015)
 Aluminium laqué noir (semblable à la teinte RAL 9004)

Finition du plateau:

Laminé Alucompact® (blanc, gris sable, gris anthracite, noir)

Laminé Pure-white blanc

Notes:

Attention: les dimensions et les finitions marquées par un point d'exclamation (!) ont des délais de production plus longs (environ 6 semaines à partir de la date de la commande).

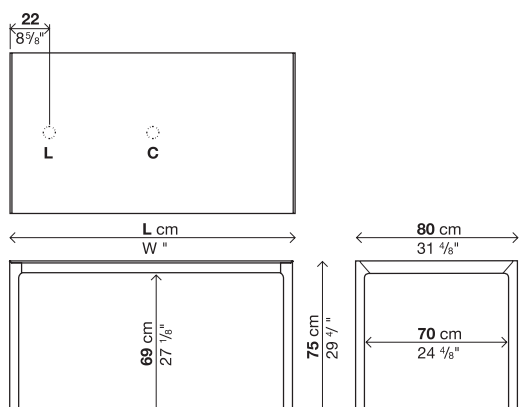
Les tables qui une fois allongées font plus de 250 cm présentent une légère flexion du plateau qui respecte les standards de qualité acceptés.

Emballages renforcés, voir intérieur de la couverture.

Code	Longueur	Pieds	Plateau		colis	m ³	Kg
			Alucompact®	Pure-white			
01MAK01F	114	Laqué			1	0,27	43
01MAK02F	139	Laqué			1	0,32	49
01MAK28F	166 (!)	Laqué			1	0,37	55
01MAK33F	189 (!)	Laqué			1	0,41	60
01MAK35F	209 (!)	Laqué			1	0,45	64
01MAK37F	229 (!)	Laqué			1	0,49	68
01MAK43F	249 (!)	Laqué			1	0,53	73
01MAK45F	269 (!)	Laqué			1	0,57	76
01MAK47F	289 (!)	Laqué			1	0,61	80

Optionals

Code	Description	colis	m ³	Kg
02FOR01	Passe-câbles latérale ou central Ø6	-	-	-
02RET01	Câblage, matière plastique	1	0,07	1
02VER01	Vertèbre, méthacrylate opaline	1	0,007	1,5
02CPU01	Support CPU, méthacrylate opaline	1	0,14	5,5



MAKI ALUcompact® / PURE-WHITE / FENIX-NTM®

Extensible - Profondeur 90 cm

Finition piètement:

Aluminium laqué blanc (semblable à la teinte RAL 9016)
 Aluminium laqué "Alucompact® gris sable" (semblable à la teinte RAL 9002)
 Aluminium laqué "Alucompact® gris anthracite" (semblable à la teinte RAL 7015)
 Aluminium laqué noir (semblable à la teinte RAL 9004)
 Aluminium laqué vert olive (reference couleur "Polyuréthane vert olive P008")

Finition du plateau/rallonges:

Laminé Alucompact® (blanc, gris sable, gris anthracite, noir)

 Laminé Pure-white blanc

 Fenix-NTM® chant noir (blanc Kos 0032, gris Londres 0718, grigio Bromo 0724, noir Ingo 0720)

 Fenix-NTM® chant coloré (blanc Kos 0032, gris Londres 0718)

Notes:

Pour les modèles de table marqués d'un astérisque (*), il est possible d'ajouter une troisième rallonge pour augmenter davantage l'extension.

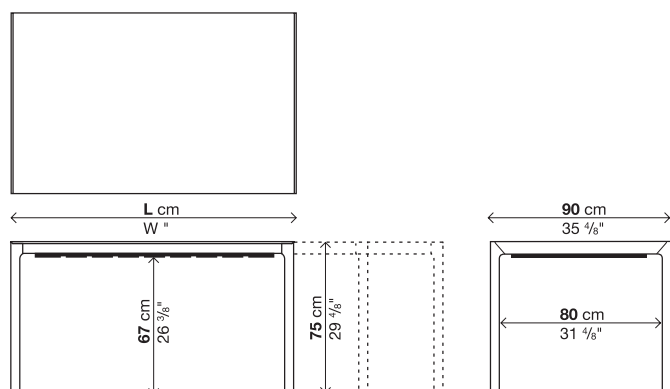
Attention: les dimensions et les finitions marquées par un point d'exclamation (!) ont des délais de production plus longs (environ 6 semaines à partir de la date de la commande).

Emballages renforcés, voir intérieur de la couverture.

Code	Longueur	Pieds	Plateau				colis	m ³	Kg
			Alucompact®	Fenix-NTM® chant noir	Pure-white	Fenix-NTM® chant coloré			
01MAK03	139-176-214	Laqué					3	0,41	79
01MAK04	166-203-241-278 3eme extension compris standard	Laqué					4	0,5	89
01MAK08*	189-226-263	Laqué					3	0,51	90
01MAK30*	209-246-283	Laqué					3	0,55	96

(*) 3ème rallonge supplémentaire

Code	Longueur	Plateau				colis	m ³	Kg
		Alucompact®	Fenix-NTM® chant noir	Pure-white	Fenix-NTM® chant coloré			
50SUS2A	37,5 cm					1	0,03	6,5



MAKI ALUCOMPACT® / PURE-WHITE / FENIX-NTM®

Fixe - Profondeur 90 cm

Finition piètement:

Aluminium laqué blanc (semblable à la teinte RAL 9016)
 Aluminium laqué "Alucompact® gris sable" (semblable à la teinte RAL 9002)
 Aluminium laqué "Alucompact® gris anthracite" (semblable à la teinte RAL 7015)
 Aluminium laqué noir (semblable à la teinte RAL 9004)
 Aluminium laqué vert olive (reference couleur "Polyuréthane vert olive P008")

Finition du plateau:

Laminé Alucompact® (blanc, gris sable, gris anthracite, noir)

 Laminé Pure-white blanc

 Fenix-NTM® chant noir (blanc Kos 0032, gris Londres 0718, grigio Bromo 0724, noir Ingo 0720)

 Fenix-NTM® chant coloré (blanc Kos 0032, gris Londres 0718)

Notes:

Attention: les dimensions et les finitions marquées par un point d'exclamation (!) ont des délais de production plus longs (environ 6 semaines à partir de la date de la commande).

Les tables qui une fois allongées font plus de 250 cm présentent une légère flexion du plateau qui respecte les standards de qualité acceptés.

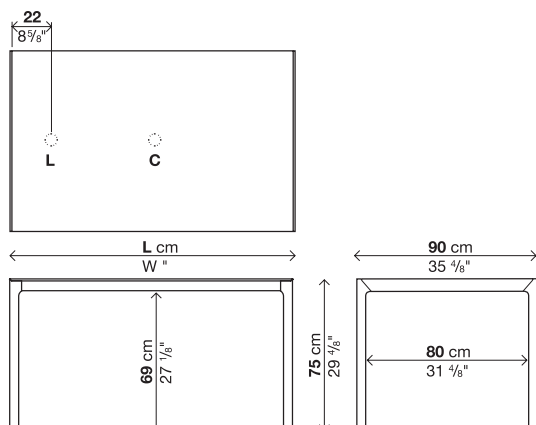
Les tables longueur 269 et 289 cm présentent au centre une traverse sous-plateau de support, conséquence: les ouvertures passe-câbles ne pourront pas être centrées exactement par rapport à la profondeur de la table mais il faudra donc les déplacer légèrement.

Emballages renforcés, voir intérieur de la couverture.

Code	Longueur	Pieds	Plateau				colis	m ³	Kg
			Alucompact®	Fenix-NTM® chant noir	Pure-white	Fenix-NTM® chant coloré			
01MAK51F	114	Laqué		-		-	1	0,3	49
01MAK03F	139	Laqué					1	0,36	54
01MAK04F	166	Laqué					1	0,42	60
01MAK53F	189	Laqué					1	0,46	65
01MAK30F	209	Laqué					1	0,5	70
01MAK55F	229 (!)	Laqué		-		-	1	0,55	74
01MAK57F	249 (!)	Laqué		-		-	1	0,59	79
01MAK59F	269 (!)	Laqué		-		-	1	0,63	87
01MAK61F	289 (!)	Laqué		-		-	1	0,67	93

Optionals

Code	Description	colis	m ³	Kg
02FOR01	Passe-câbles latérale ou central Ø6	-	-	-
02RET02	Câblage, matière plastique	1	0,07	1
02VER01	Vertèbre, méthacrylate opaline	1	0,007	1,5
02CPU02	Support CPU, méthacrylate opaline	1	0,14	5,5



MAKI ALUCOMPACT® / PURE-WHITE / FENIX-NTM®

Extensible - Profondeur 100 cm

Finition piètement:

Aluminium laqué blanc (semblable à la teinte RAL 9016)
Aluminium laqué "Alucompact® gris sable" (semblable à la teinte RAL 9002)
Aluminium laqué "Alucompact® gris anthracite" (semblable à la teinte RAL 7015)
Aluminium laqué noir (semblable à la teinte RAL 9004)
Aluminium laqué vert olive (reference couleur "Polyuréthane vert olive P008")

Finition du plateau/rallonges:

Laminé Alucompact® (blanc, gris sable, gris anthracite, noir)

Laminé Pure-white blanc

Fenix-NTM® chant noir (blanc Kos 0032, gris Londres 0718, grigio Bromo 0724, noir Ingo 0720)

Fenix-NTM® chant coloré (blanc Kos 0032, gris Londres 0718)

Notes:

Pour les modèles de table marqués d'un astérisque (*), il est possible d'ajouter une troisième rallonge pour augmenter davantage l'extension.

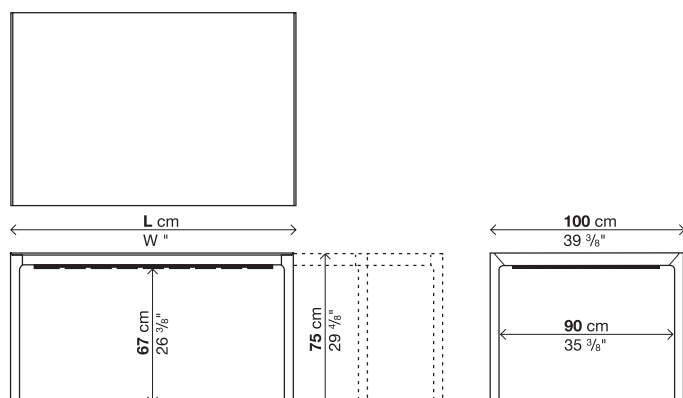
Attention: les dimensions et les finitions marquées par un point d'exclamation (!) ont des délais de production plus longs (environ 6 semaines à partir de la date de la commande).

Emballages renforcés, voir intérieur de la couverture.

Code	Longueur	Pieds	Plateau				colis	m ³	Kg
			Alucompact®	Fenix-NTM® chant noir	Pure-white	Fenix-NTM® chant coloré			
01MAK05*	166-213-260	Laqué					3	0,52	93
01MAK09*	189-236-283	Laqué					3	0,57	100
01MAK06*	209-256-303	Laqué					3	0,62	106

(* 3ème rallonge supplémentaire

Code	Longueur	Plateau				colis	m ³	Kg
		Alucompact®	Fenix-NTM® chant noir	Pure-white	Fenix-NTM® chant coloré			
50SUS6A	33 cm					1	0,03	6



MAKI ALUCOMPACT® / PURE-WHITE / FENIX-NTM®

Fixe - Profondeur 100 cm

Finition piètement:

Aluminium laqué blanc (semblable à la teinte RAL 9016)
 Aluminium laqué "Alucompact® gris sable" (semblable à la teinte RAL 9002)
 Aluminium laqué "Alucompact® gris anthracite" (semblable à la teinte RAL 7015)
 Aluminium laqué noir (semblable à la teinte RAL 9004)
 Aluminium laqué vert olive (reference couleur "Polyuréthane vert olive P008")

Finition du plateau:

Laminé Alucompact® (blanc, gris sable, gris anthracite, noir)

 Laminé Pure-white blanc

 Fenix-NTM® chant noir (blanc Kos 0032, gris Londres 0718, grigio Bromo 0724, noir Ingo 0720)

 Fenix-NTM® chant coloré (blanc Kos 0032, gris Londres 0718)

Notes:

Attention: les dimensions et les finitions marquées par un point d'exclamation (!) ont des délais de production plus longs (environ 6 semaines à partir de la date de la commande).

Les tables qui une fois allongées font plus de 250 cm présentent une légère flexion du plateau qui respecte les standards de qualité acceptés.

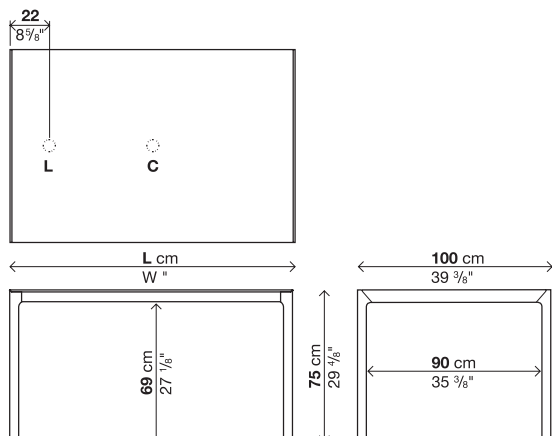
Les tables longueur 269 et 289 cm présentent au centre une traverse sous-plateau de support, conséquence: les ouvertures passe-câbles ne pourront pas être centrées exactement par rapport à la profondeur de la table mais il faudra donc les déplacer légèrement.

Emballages renforcés, voir intérieur de la couverture.

Code	Longueur	Pieds	Plateau				colis	m ³	Kg
			Alucompact®	Fenix-NTM® chant noir	Pure-white	Fenix-NTM® chant coloré			
01MAK65F	139	Laqué		-		-	1	0,39	58
01MAK05F	166	Laqué					1	0,45	64
01MAK07F	189	Laqué					1	0,5	70
01MAK06F	209	Laqué					1	0,55	75
01MAK08F	229 (!)	Laqué		-		-	1	0,6	80
01MAK67F	249 (!)	Laqué		-		-	1	0,65	85
01MAK69F	269 (!)	Laqué		-		-	1	0,69	63
01MAK32F	289 (!)	Laqué		-		-	1	0,74	98

Optionals

Code	Description	colis	m ³	Kg
02FOR01	Passe-câbles latérale ou central Ø6	-	-	-
02RET03	Câblage, matière plastique	1	0,07	1
02VER01	Vertèbre, méthacrylate opaline	1	0,007	1,5
02CPU03	Support CPU, méthacrylate opaline	1	0,14	5,5



MAKI ALUcompact® / PURE-WHITE

Fixe - Profondeur 124 cm

Finition piètement:

Aluminium laqué blanc (semblable à la teinte RAL 9016)
 Aluminium laqué "Alucompact® gris sable" (semblable à la teinte RAL 9002)
 Aluminium laqué "Alucompact® gris anthracite" (semblable à la teinte RAL 7015)
 Aluminium laqué noir (semblable à la teinte RAL 9004)
 Aluminium laqué vert olive (reference couleur "Polyuréthane vert olive P008")

Finition du plateau:

Laminé Alucompact® (blanc, gris sable, gris anthracite, noir)

Laminé Pure-white blanc

Notes:

Attention: les dimensions et les finitions marquées par un point d'exclamation (!) ont des délais de production plus longs (environ 6 semaines à partir de la date de la commande).

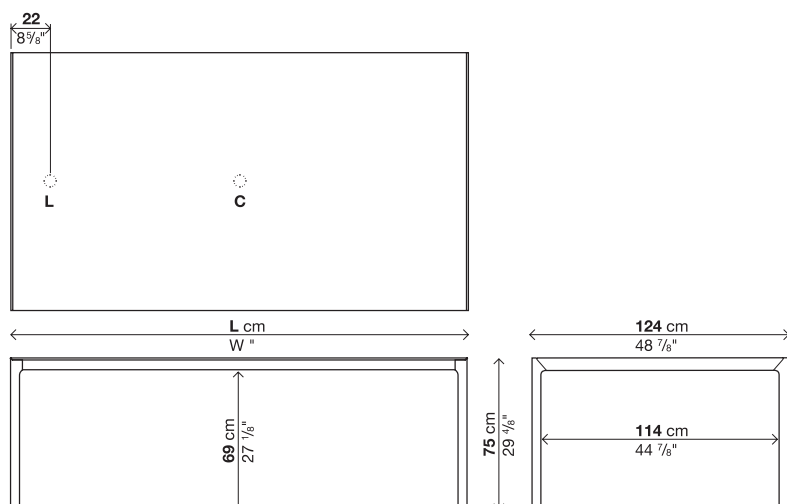
Les tables qui une fois allongées font plus de 250 cm présentent une légère flexion du plateau qui respecte les standards de qualité acceptés.

Emballages renforcés, voir intérieur de la couverture.

Code	Longueur	Pieds	Plateau		colis m³	Kg
			Alucompact®	Pure-white		
01MAK71F	209 (!)	Laqué			1,066	94
01MAK73F	229 (!)	Laqué			1,072	100
01MAK75F	277 (!)	Laqué			1,085	116

Optionals

Code	Description	colis m³	Kg
02FOR01	Passe-câbles latérale ou central Ø6	-	-
02RET04	Câblage, matière plastique	1,007	1
02VER01	Vertèbre, méthacrylate opaline	1,007	1,5
02CPU04	Support CPU, méthacrylate opaline	1,014	5,5



MAKI DEKTON® BY COSENTINO

Extensible - Profondeur 90 cm

Finition piètement:

Aluminium laqué blanc (semblable à la teinte RAL 9016)

Aluminium laqué "gris Ventus"

Aluminium laqué vert olive (reference couleur "Polyuréthane vert olive P008")

Finition du plateau:

DEKTON® blanc Zenith

DEKTON® gris Ventus

DEKTON® Aura (effet marbre)

Finition des rallonges:

Aluminium laqué blanc (semblable à la teinte RAL 9016)

Aluminium laqué "gris Ventus"

Notes:

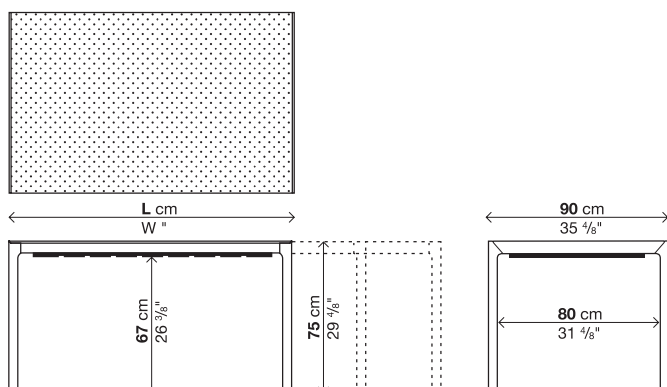
Attention: les veines imprimées sur la surface des plateaux en DEKTON® Aura (effet marbre) sont disposées de façon aléatoire, ce qui rend chaque plateau unique puisque une reproduction exacte est bien entendu impossible. Cette caractéristique implique qu'il pourrait y avoir des différences par rapport aux échantillons, mais celles-ci ne pourront en aucun cas faire l'objet de contestations au titre d'imperfections ou d'anomalies. Du fait que l'impression réalisée est du type aléatoire, aucune demande concernant l'homogénéité des veines ne pourra être acceptée.

Attention: les dimensions et les finitions marquées par un point d'exclamation (!) ont des délais de production plus longs (environ 6 semaines à partir de la date de la commande).

Les tables qui une fois allongées font plus de 250 cm présentent une légère flexion du plateau qui respecte les standards de qualité acceptés.

Emballages renforcés, voir intérieur de la couverture.

Code	Longueur	Pieds	Plateau	colis	m ²	Kg
			DEKTON®			
01MAK03	139-176-214 (!)	Laqué		3	0,41	97
01MAK04	166-203-241 (!)	Laqué		3	0,5	110
01MAK08	189-226-263 (!)	Laqué		3	0,51	113



MAKI DEKTON® BY COSENTINO

Fixe - Profondeur 90 cm

Finition piètement:

Aluminium laqué blanc (semblable à la teinte RAL 9016)

Aluminium laqué "gris Ventus"

Aluminium laqué vert olive (reference couleur "Polyuréthane vert olive P008")

Finition du plateau:

DEKTON® blanc Zenith

DEKTON® gris Ventus

DEKTON® Aura (effet marbre)

Notes:

Attention: les veines imprimées sur la surface des plateaux en DEKTON® Aura (effet marbre) sont disposées de façon aléatoire, ce qui rend chaque plateau unique puisque une reproduction exacte est bien entendu impossible. Cette caractéristique implique qu'il pourrait y avoir des différences par rapport aux échantillons, mais celles-ci ne pourront en aucun cas faire l'objet de contestations au titre d'imperfections ou d'anomalies. Du fait que l'impression réalisée est du type aléatoire, aucune demande concernant l'homogénéité des veines ne pourra être acceptée.

Attention: les dimensions et les finitions marquées par un point d'exclamation (!) ont des délais de production plus longs (environ 6 semaines à partir de la date de la commande).

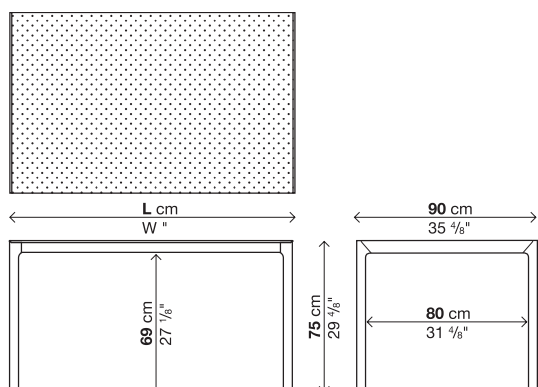
Les tables qui une fois allongées font plus de 250 cm présentent une légère flexion du plateau qui respecte les standards de qualité acceptés.

Emballages renforcés, voir intérieur de la couverture.

Code	Longueur	Pieds	Plateau	colis	m ³	Kg
			DEKTON®			
01MAK03F	139 (!)	Laqué		1	0,36	68
01MAK04F	166 (!)	Laqué		1	0,42	77
01MAK53F	189 (!)	Laqué		1	0,46	84

Optionals

Code	Description	colis	m ³	Kg
02RET02	Câblage, matière plastique	1	0,07	1
02VER01	Vertèbre, méthacrylate opaline	1	0,007	1,5
02CPU02	Support CPU, méthacrylate opaline	1	0,14	5,5



HIGHLY UV
RESISTANT



RESISTANT TO
ABRASION



RESISTANT
TO STAIN



MAXIMUM
RESISTANCE
TO FIRE AND HEAT



LOW
WATER
ABSORPTION



HIGH
MECHANICAL
RESISTANCE



COLOUR
STABILITY



DIMENSIONAL
STABILITY



FIREPROOF
MATERIAL

MAKI DEKTON® BY COSENTINO

Extensible - Profondeur 100 cm

Finition piètement:

Aluminium laqué blanc (semblable à la teinte RAL 9016)
 Aluminium laqué "gris Ventus"
 Aluminium laqué vert olive (reference couleur "Polyuréthane vert olive P008")

Finition du plateau:

DEKTON® blanc Zenith
 DEKTON® gris Ventus
 DEKTON® Aura (effet marbre)

Finition des rallonges:

Aluminium laqué blanc (semblable à la teinte RAL 9016)
 Aluminium laqué "gris Ventus"

Notes:

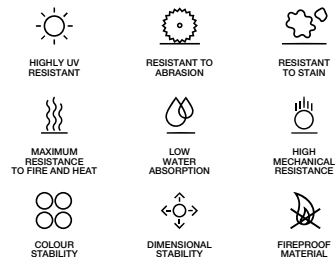
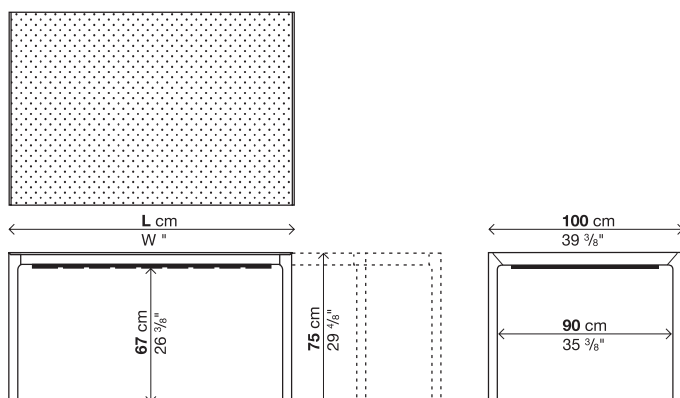
Attention: les veines imprimées sur la surface des plateaux en DEKTON® Aura (effet marbre) sont disposées de façon aléatoire, ce qui rend chaque plateau unique puisque une reproduction exacte est bien entendu impossible. Cette caractéristique implique qu'il pourrait y avoir des différences par rapport aux échantillons, mais celles-ci ne pourront en aucun cas faire l'objet de contestations au titre d'imperfections ou d'anomalies. Du fait que l'impression réalisée est du type aléatoire, aucune demande concernant l'homogénéité des veines ne pourra être acceptée.

Attention: les dimensions et les finitions marquées par un point d'exclamation (!) ont des délais de production plus longs (environ 6 semaines à partir de la date de la commande).

Les tables qui une fois allongées font plus de 250 cm présentent une légère flexion du plateau qui respecte les standards de qualité acceptés.

Emballages renforcés, voir intérieur de la couverture.

Code	Longueur	Pieds	Plateau	colis	m ²	Kg
			DEKTON®			
01MAK05	166-203-240 (!)	Laqué		3	0,52	116
01MAK09	189-226-263 (!)	Laqué		3	0,57	126



MAKI DEKTON® BY COSENTINO

Fixe - Profondeur 100 cm

Finition piètement:

Aluminium laqué blanc (semblable à la teinte RAL 9016)

Aluminium laqué "gris Ventus"

Aluminium laqué vert olive (reference couleur "Polyuréthane vert olive P008")

Finition du plateau:

DEKTON® blanc Zenith

DEKTON® gris Ventus

DEKTON® Aura (effet marbre)

Notes:

Attention: les veines imprimées sur la surface des plateaux en DEKTON® Aura (effet marbre) sont disposées de façon aléatoire, ce qui rend chaque plateau unique puisque une reproduction exacte est bien entendu impossible. Cette caractéristique implique qu'il pourrait y avoir des différences par rapport aux échantillons, mais celles-ci ne pourront en aucun cas faire l'objet de contestations au titre d'imperfections ou d'anomalies. Du fait que l'impression réalisée est du type aléatoire, aucune demande concernant l'homogénéité des veines ne pourra être acceptée.

Attention: les dimensions et les finitions marquées par un point d'exclamation (!) ont des délais de production plus longs (environ 6 semaines à partir de la date de la commande).

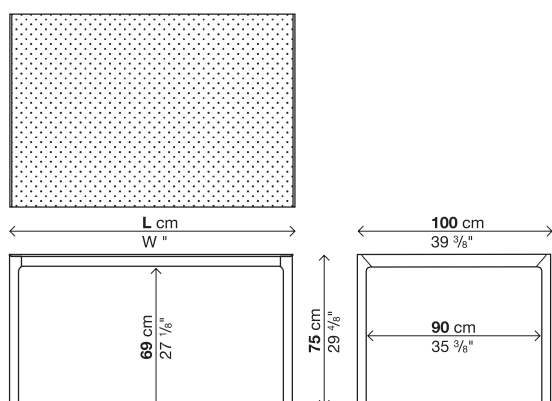
Les tables qui une fois allongées font plus de 250 cm présentent une légère flexion du plateau qui respecte les standards de qualité acceptés.

Emballages renforcés, voir intérieur de la couverture.

Code	Longueur	Pieds	Plateau	colis	m ³	Kg
			DEKTON®			
01MAK05F	166 (!)	Laqué		1	0,45	82
01MAK07F	189 (!)	Laqué		1	0,5	91
01MAK08F	229 (!)	Laqué		1	0,6	105
01MAK69F	269 (!)	Laqué		1	0,69	123

Optionals

Code	Description	colis	m ³	Kg
02RET03	Câblage, matière plastique	1	0,07	1
02VER01	Vertèbre, méthacrylate opaline	1	0,007	1,5
02CPU03	Support CPU, méthacrylate opaline	1	0,14	5,5



HIGHLY UV
RESISTANT



RESISTANT TO
ABRASION



RESISTANT
TO STAIN



MAXIMUM
RESISTANCE
TO FIRE AND HEAT



LOW
WATER
ABSORPTION



HIGH
MECHANICAL
RESISTANCE



COLOUR
STABILITY



DIMENSIONAL
STABILITY



FIREPROOF
MATERIAL

MAKI BOIS

Extensible - Profondeur 90 cm

Finition piètement:

Aluminium laqué blanc (semblable à la teinte RAL 9016)
 Aluminium laqué "Alucompact® gris sable" (semblable à la teinte RAL 9002)
 Aluminium laqué "Alucompact® gris anthracite" (semblable à la teinte RAL 7015)
 Aluminium laqué "Fenix-NTM® gris Londres" (semblable à la teinte RAL Design0805005)
 Aluminium laqué noir (semblable à la teinte RAL 9004)
 Aluminium laqué vert olive (reference couleur "Polyuréthane vert olive P008")

Finition du plateau/rallonges:

Bois aspect chêne européen
 Bois aspect noyer
 Bois aspect chêne teinté noir

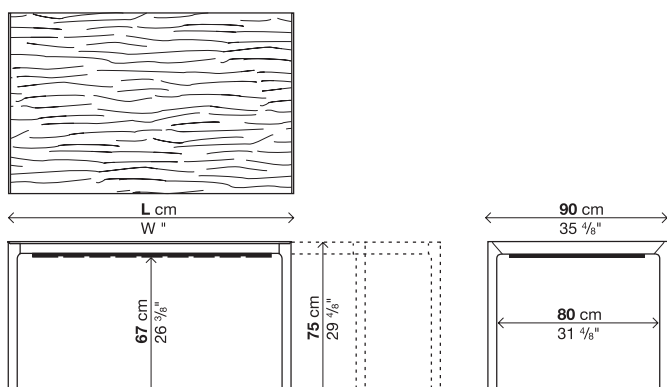
Notes:

Attention: les dimensions et les finitions marquées par un point d'exclamation (!) ont des délais de production plus longs (environ 6 semaines à partir de la date de la commande).

Les tables qui une fois allongées font plus de 250 cm présentent une légère flexion du plateau qui respecte les standards de qualité acceptés.

Emballages renforcés, voir intérieur de la couverture.

Code	Longueur	Pieds	Plateau	colis	m ³	Kg
			Bois			
01MAK04	166-201-236-271 avec trois rallonges	Laqué		4	0,5	89
01MAK08	189-224-259-294 avec trois rallonges	Laqué		4	0,54	96,5
01MAK30	209-253-297 (!) avec deux rallonges	Laqué		3	0,55	96



MAKI BOIS

Fixe - Profondeur 90 cm

Finition piètement:

Aluminium laqué blanc (semblable à la teinte RAL 9016)

Aluminium laqué "Alucompact® gris sable" (semblable à la teinte RAL 9002)

Aluminium laqué "Alucompact® gris anthracite" (semblable à la teinte RAL 7015)

Aluminium laqué "Fenix-NTM® gris Londres" (semblable à la teinte RAL Design0805005)

Aluminium laqué noir (semblable à la teinte RAL 9004)

Aluminium laqué vert olive (reference couleur "Polyuréthane vert olive P008")

Finition du plateau:

Bois aspect chêne européen

Bois aspect noyer

Bois aspect chêne teinté noir

Notes:

Attention: les dimensions et les finitions marquées par un point d'exclamation (!) ont des délais de production plus longs (environ 6 semaines à partir de la date de la commande).

Les tables qui une fois allongées font plus de 250 cm présentent une légère flexion du plateau qui respecte les standards de qualité acceptés.

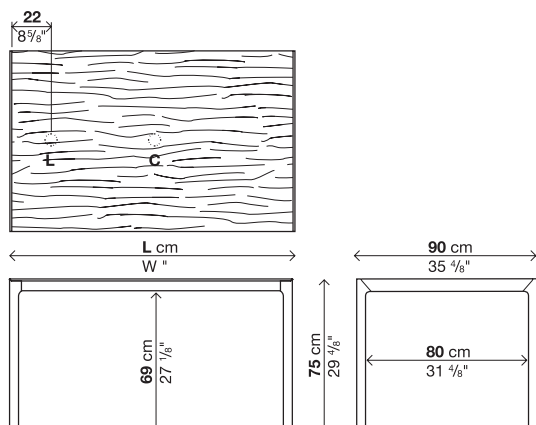
Les tables longueur 269 et 289 cm présentent au centre une traverse sous-plateau de support, conséquence: les ouvertures passe-câbles ne pourront pas être centrées exactement par rapport à la profondeur de la table mais il faudra donc les déplacer légèrement.

Emballages renforcés, voir intérieur de la couverture.

Code	Longueur	Pieds	Plateau	colis	m ³	Kg
			Bois			
01MAK53F	189	Laqué		1	0,46	65
01MAK30F	209 (!)	Laqué		1	0,5	70
01MAK55F	229 (!)	Laqué		1	0,55	74
01MAK57F	249 (!)	Laqué		1	0,59	79
01MAK59F	269 (!)	Laqué		1	0,63	87
01MAK61F	289 (!)	Laqué		1	0,67	93

Optionals

Code	Description	colis	m ³	Kg
02FOR01	Passe-câbles latérale ou central Ø6	-	-	-
02RET02	Câblage, matière plastique	1	0,07	1
02VER01	Vertèbre, méthacrylate opaline	1	0,007	1,5
02CPU02	Support CPU, méthacrylate opaline	1	0,14	5,5



MAKI BOIS

Extensible - Profondeur 100 cm

Finition piètement:

Aluminium laqué blanc (semblable à la teinte RAL 9016)
Aluminium laqué "Alucompact® gris sable" (semblable à la teinte RAL 9002)
Aluminium laqué "Alucompact® gris anthracite" (semblable à la teinte RAL 7015)
Aluminium laqué "Fenix-NTM® gris Londres" (semblable à la teinte RAL Design0805005)
Aluminium laqué noir (semblable à la teinte RAL 9004)
Aluminium laqué vert olive (reference couleur "Polyuréthane vert olive P008")

Finition du plateau/rallonges:

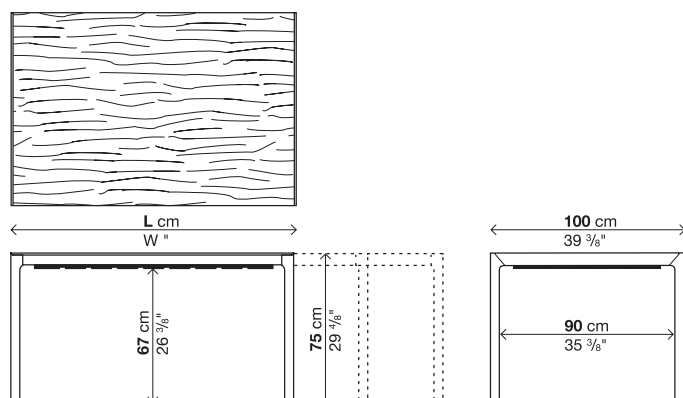
Bois aspect chêne européen
Bois aspect noyer
Bois aspect chêne teinté noir

Notes:

Les tables qui une fois allongées font plus de 250 cm présentent une légère flexion du plateau qui respecte les standards de qualité acceptés.

Emballages renforcés, voir intérieur de la couverture.

Code	Longueur	Pieds	Plateau	colis	m ³	Kg
			Bois			
01MAK05	166-201-236-271 avec trois rallonges	Laqué		4	0,55	91
01MAK09	189-224-259-294 avec trois rallonges	Laqué		4	0,6	98
01MAK06	209-253-297 avec deux rallonges	Laqué		3	0,62	98



MAKI BOIS

Fixe - Profondeur 100 cm

Finition piètement:

Aluminium laqué blanc (semblable à la teinte RAL 9016)

Aluminium laqué "Alucompact® gris sable" (semblable à la teinte RAL 9002)

Aluminium laqué "Alucompact® gris anthracite" (semblable à la teinte RAL 7015)

Aluminium laqué "Fenix-NTM® gris Londres" (semblable à la teinte RAL Design0805005)

Aluminium laqué noir (semblable à la teinte RAL 9004)

Aluminium laqué vert olive (reference couleur "Polyuréthane vert olive P008")

Finition du plateau:

Bois aspect chêne européen

Bois aspect noyer

Bois aspect chêne teinté noir

Notes:

Attention: les dimensions et les finitions marquées par un point d'exclamation (!) ont des délais de production plus longs (environ 6 semaines à partir de la date de la commande).

Les tables qui une fois allongées font plus de 250 cm présentent une légère flexion du plateau qui respecte les standards de qualité acceptés.

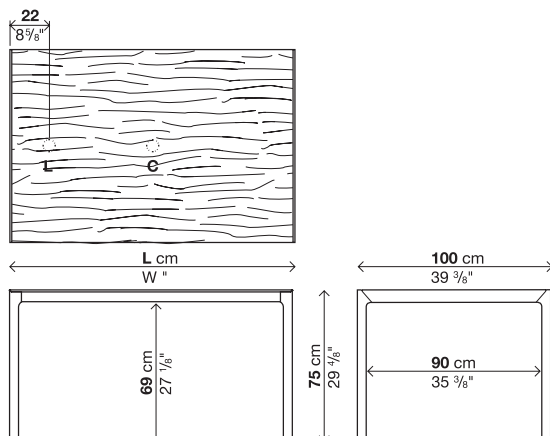
Les tables longueur 269 et 289 cm présentent au centre une traverse sous-plateau de support, conséquence: les ouvertures passe-câbles ne pourront pas être centrées exactement par rapport à la profondeur de la table mais il faudra donc les déplacer légèrement.

Emballages renforcés, voir intérieur de la couverture.

Code	Longueur	Pieds	Plateau	colis	m ³	Kg
			Bois			
01MAK07F	189	Laqué		1	0,5	70
01MAK06F	209	Laqué		1	0,55	75
01MAK08F	229 (!)	Laqué		1	0,6	80
01MAK67F	249 (!)	Laqué		1	0,65	85
01MAK69F	269 (!)	Laqué		1	0,69	93
01MAK32F	289 (!)	Laqué		1	0,74	98

Optionals

Code	Description	colis	m ³	Kg
02FOR01	Passe-câbles latérale ou central Ø6	-	-	-
02RET02	Câblage, matière plastique	1	0,07	1
02VER01	Vertèbre, méthacrylate opaline	1	0,007	1,5
02CPU03	Support CPU, méthacrylate opaline	1	0,14	5,5



MAKI VERRE

Extensible - Profondeur 80 cm

Finition piètement:

Aluminium laqué blanc (semblable à la teinte RAL 9016)

Aluminium laqué noir (semblable à la teinte RAL 9004)

Finition du plateau:

Verre brillant coloris: extra white, gris anthracite, noir, titane

Verre mat coloris: extra white, gris anthracite, noir, titane

Finition des rallonges:

Laminé Alucompact® blanc

Laminé Alucompact® gris sable

Laminé Alucompact® gris anthracite

Laminé Alucompact® noir

Notes:

Pour les modèles de table marqués d'un astérisque (*), il est possible d'ajouter une troisième rallonge pour augmenter davantage l'extension.

Attention: les dimensions et les finitions marquées par un point d'exclamation (!) ont des délais de production plus longs (environ 6 semaines à partir de la date de la commande).

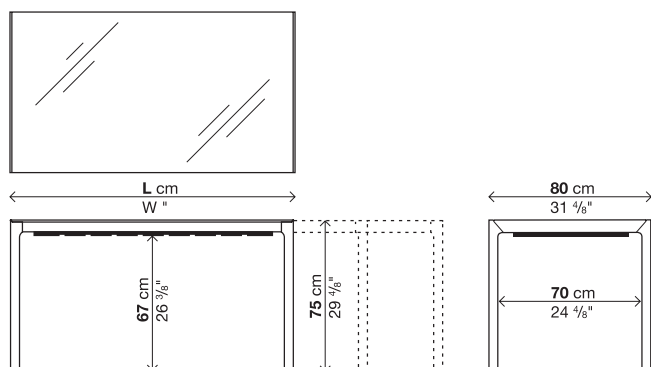
Les tables qui une fois allongées font plus de 250 cm présentent une légère flexion du plateau qui respecte les standards de qualité acceptés.

Emballages renforcés, voir intérieur de la couverture.

Code	Longueur	Pieds	Plateau		colis	m ³	Kg
			Verre brillant	Verre mat			
01MAK11	114-154-194	Laqué			3	0,32	72
01MAK12	139-179-219	Laqué			3	0,37	80
01MAK16*	166-206-246	Laqué			3	0,42	87

(* 3ème rallonge supplémentaire

Code	Longueur	Plateau		colis	m ³	Kg
		Alucompact®				
50SUS5A	33 cm			1	0,03	6



MAKI VERRE

Fixe - Profondeur 80 cm

Finition piètement:

Aluminium laqué blanc (semblable à la teinte RAL 9016)

Aluminium laqué noir (semblable à la teinte RAL 9004)

Finition du plateau:

Verre brillant coloris: extra white, gris anthracite, noir, titane

Verre mat coloris: extra white, gris anthracite, noir, titane

Notes:

Attention: les dimensions et les finitions marquées par un point d'exclamation (!) ont des délais de production plus longs (environ 6 semaines à partir de la date de la commande).

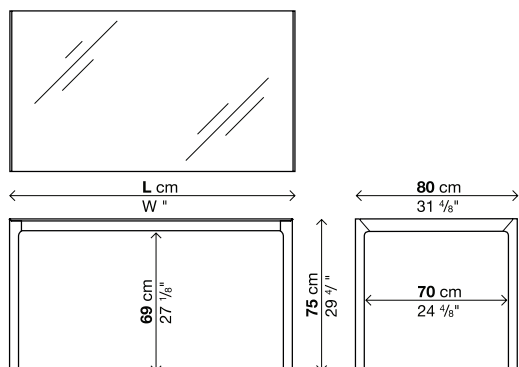
Les tables qui une fois allongées font plus de 250 cm présentent une légère flexion du plateau qui respecte les standards de qualité acceptés.

Emballages renforcés, voir intérieur de la couverture.

Code	Longueur	Pieds	Plateau		colis	m ³	Kg
			Verre brillant	Verre mat			
01MAK11F	114	Laqué			1	0,27	52
01MAK12F	139	Laqué			1	0,32	60
01MAK29F	166	Laqué			1	0,37	66
01MAK34F	189	Laqué			1	0,41	74
01MAK36F	209	Laqué			1	0,45	80
01MAK38F	229 (!)	Laqué			1	0,49	85
01MAK44F	249 (!)	Laqué			1	0,53	91
01MAK46F	269 (!)	Laqué			1	0,57	96
01MAK48F	289 (!)	Laqué			1	0,61	102

Optionals

Code	Description	colis	m ³	Kg
02RET01	Câblage, matière plastique	1	0,07	1
02VER01	Vertèbre, méthacrylate opaline	1	0,007	1,5
02CPU01	Support CPU, méthacrylate opaline	1	0,14	5,5



MAKI VERRE

Extensible - Profondeur 90 cm

Finition piètement:

Aluminium laqué blanc (semblable à la teinte RAL 9016)

Aluminium laqué noir (semblable à la teinte RAL 9004)

Finition du plateau:

Verre brillant coloris: extra white, gris anthracite, noir, titane

Verre mat coloris: extra white, gris anthracite, noir, titane

Finition des rallonges:

Laminé Alucompact® blanc

Laminé Alucompact® gris sable

Laminé Alucompact® gris anthracite

Laminé Alucompact® noir

Notes:

Pour les modèles de table marqués d'un astérisque (*), il est possible d'ajouter une troisième rallonge pour augmenter davantage l'extension.

Attention: les dimensions et les finitions marquées par un point d'exclamation (!) ont des délais de production plus longs (environ 6 semaines à partir de la date de la commande).

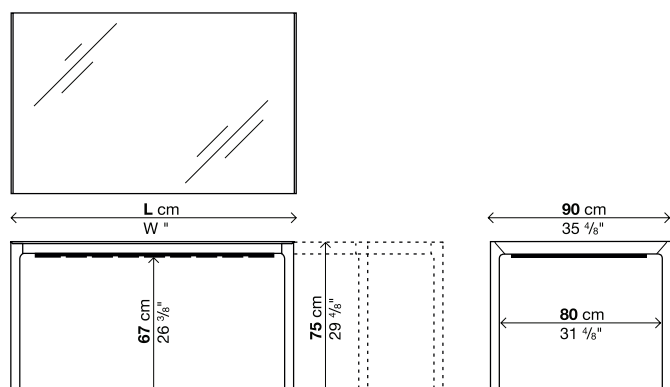
Les tables qui une fois allongées font plus de 250 cm présentent une légère flexion du plateau qui respecte les standards de qualité acceptés.

Emballages renforcés, voir intérieur de la couverture.

Code	Longueur	Pieds	Plateau		colis	m ³	Kg
			Verre brillant	Verre mat			
01MAK13	139-176-214	Laqué			3	0,41	89
01MAK14	166-203-241-278 3eme extension compris standard	Laqué			4	0,5	104
01MAK18*	189-226-263	Laqué			3	0,51	106
01MAK40*	209-246-283	Laqué			3	0,55	113

(*) 3ème rallonge supplémentaire

Code	Longueur	Plateau		colis	m ³	Kg
		Alucompact®				
50SUS2A	37,5 cm			1	0,03	6,5



MAKI VERRE

Fixe - Profondeur 90 cm

Finition piètement:

Aluminium laqué blanc (semblable à la teinte RAL 9016)

Aluminium laqué noir (semblable à la teinte RAL 9004)

Finition du plateau:

Verre brillant coloris: extra white, gris anthracite, noir, titane

Verre mat coloris: extra white, gris anthracite, noir, titane

Notes:

Attention: les dimensions et les finitions marquées par un point d'exclamation (!) ont des délais de production plus longs (environ 6 semaines à partir de la date de la commande).

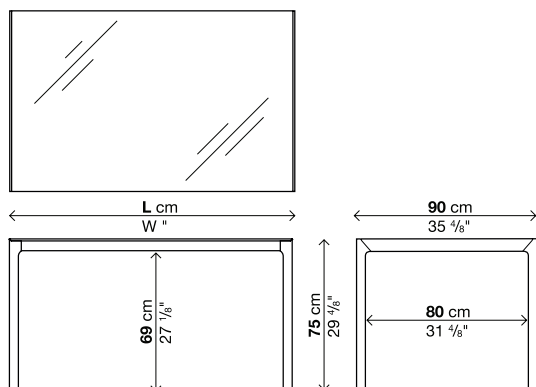
Les tables qui une fois allongées font plus de 250 cm présentent une légère flexion du plateau qui respecte les standards de qualité acceptés.

Emballages renforcés, voir intérieur de la couverture.

Code	Longueur	Pieds	Plateau		colis	m ³	Kg
			Verre brillant	Verre mat			
01MAK52F	114	Laqué			1	0,3	59
01MAK13F	139	Laqué			1	0,36	66
01MAK14F	166	Laqué			1	0,42	75
01MAK54F	189	Laqué			1	0,46	82
01MAK40F	209	Laqué			1	0,5	88
01MAK56F	229 (!)	Laqué			1	0,55	94
01MAK58F	249 (!)	Laqué			1	0,59	100
01MAK60F	269 (!)	Laqué			1	0,63	111
01MAK62F	289 (!)	Laqué			1	0,67	117

Optionals

Code	Description	colis	m ³	Kg
02RET02	Câblage, matière plastique	1	0,07	1
02VER01	Vertèbre, méthacrylate opaline	1	0,007	1,5
02CPU02	Support CPU, méthacrylate opaline	1	0,14	5,5



MAKI VERRE

Extensible - Profondeur 100 cm

Finition piètement:

Aluminium laqué blanc (semblable à la teinte RAL 9016)

Aluminium laqué noir (semblable à la teinte RAL 9004)

Finition du plateau:

Verre brillant coloris: extra white, gris anthracite, noir, titane

Verre mat coloris: extra white, gris anthracite, noir, titane

Finition des rallonges:

Laminé Alucompact® blanc

Laminé Alucompact® gris sable

Laminé Alucompact® gris anthracite

Laminé Alucompact® noir

Notes:

Pour les modèles de table marqués d'un astérisque (*), il est possible d'ajouter une troisième rallonge pour augmenter davantage l'extension.

Attention: les dimensions et les finitions marquées par un point d'exclamation (!) ont des délais de production plus longs (environ 6 semaines à partir de la date de la commande).

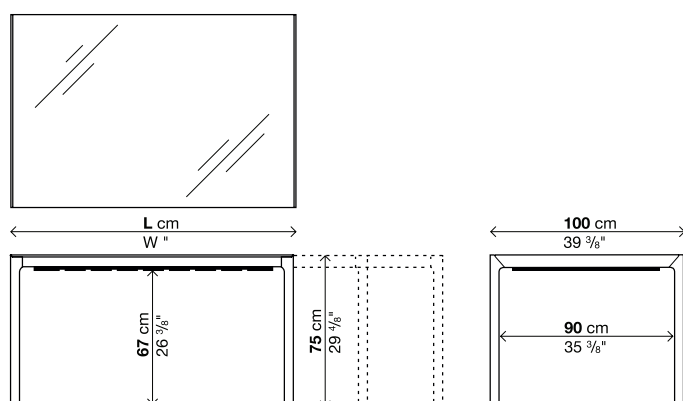
Les tables qui une fois allongées font plus de 250 cm présentent une légère flexion du plateau qui respecte les standards de qualité acceptés.

Emballages renforcés, voir intérieur de la couverture.

Code	Longueur	Pieds	Plateau		colis	m ³	Kg
			Verre brillant	Verre mat			
01MAK15*	166-213-260	Laqué			3	0,52	109
01MAK19*	189-236-283	Laqué			3	0,57	116
01MAK17*	209-256-303	Laqué			3	0,62	126

(* 3ème rallonge supplémentaire

Code	Longueur	Plateau		colis	m ³	Kg
		Alucompact®				
50SUS6A	33 cm			1	0,03	6



MAKI VERRE

Fixe - Profondeur 100 cm

Finition piètement:

Aluminium laqué blanc (semblable à la teinte RAL 9016)

Aluminium laqué noir (semblable à la teinte RAL 9004)

Finition du plateau:

Verre brillant coloris: extra white, gris anthracite, noir, titane

Verre mat coloris: extra white, gris anthracite, noir, titane

Notes:

Attention: les dimensions et les finitions marquées par un point d'exclamation (!) ont des délais de production plus longs (environ 6 semaines à partir de la date de la commande).

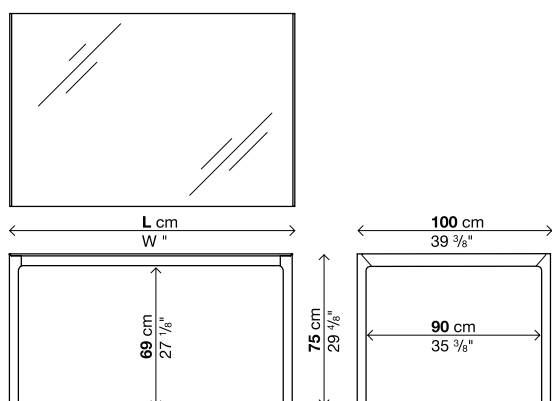
Les tables qui une fois allongées font plus de 250 cm présentent une légère flexion du plateau qui respecte les standards de qualité acceptés.

Emballages renforcés, voir intérieur de la couverture.

Code	Longueur	Pieds	Plateau		colis	m ³	Kg
			Verre brillant	Verre mat			
01MAK66F	139	Laqué			1	0,39	71
01MAK15F	166	Laqué			1	0,45	80
01MAK18F	189	Laqué			1	0,5	88
01MAK17F	209	Laqué			1	0,55	94
01MAK19F	229 (!)	Laqué			1	0,6	101
01MAK68F	249 (!)	Laqué			1	0,65	108
01MAK70F	269 (!)	Laqué			1	0,69	118
01MAK42F	289 (!)	Laqué			1	0,74	126

Optionals

Code	Description	colis	m ³	Kg
02RET03	Câblage, matière plastique	1	0,07	1
02VER01	Vertèbre, méthacrylate opaline	1	0,007	1,5
02CPU03	Support CPU, méthacrylate opaline	1	0,14	5,5



MAKI VERRE

Fixe - Profondeur 124 cm

Finition piètement:

Aluminium laqué blanc (semblable à la teinte RAL 9016)

Aluminium laqué noir (semblable à la teinte RAL 9004)

Finition du plateau:

Verre brillant coloris: extra white, gris anthracite, noir, titane

Verre mat coloris: extra white, gris anthracite, noir, titane

Notes:

Attention: les dimensions et les finitions marquées par un point d'exclamation (!) ont des délais de production plus longs (environ 6 semaines à partir de la date de la commande).

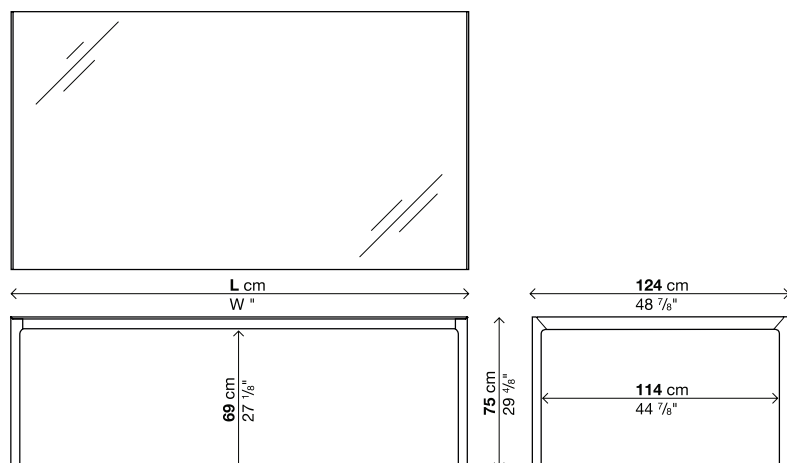
Les tables qui une fois allongées font plus de 250 cm présentent une légère flexion du plateau qui respecte les standards de qualité acceptés.

Emballages renforcés, voir intérieur de la couverture.

Code	Longueur	Pieds	Plateau		colis	m ³	Kg
			Verre brillant	Verre mat			
01MAK72F	209 (!)	Laqué			1	0,66	117
01MAK74F	229 (!)	Laqué			1	0,72	126
01MAK76F	277 (!)	Laqué			1	0,85	148

Optionals

Code	Description	colis	m ³	Kg
02RET04	Câblage, matière plastique	1	0,07	1
02VER01	Vertèbre, méthacrylate opaline	1	0,007	1,5
02CPU04	Support CPU, méthacrylate opaline	1	0,14	5,5



MAKI

Dimensiones

Prof. 80 cm Depth 314/8"

80	114 cm 447/8"	→ Alucompact® → Pure-white → Cristal
	114/154/194 cm 447/8/605/8/763/8"	→ Alucompact® → Pure-white → Cristal
	139 cm 546/8"	→ Alucompact® → Pure-white → Cristal
	139/179/219 cm 546/8/704/8/862/8"	→ Alucompact® → Pure-white → Cristal
	166 cm 653/8"	→ Alucompact® → Pure-white → Cristal
	166/206/246 cm 653/8/811/8/967/8"	→ Alucompact® → Pure-white → Cristal *
	189 cm 743/8"	→ Alucompact® → Pure-white → Cristal
	209 cm 822/8"	→ Alucompact® → Pure-white → Cristal
	229 cm 901/8"	→ Alucompact® → Pure-white → Cristal
	249 cm 98"	→ Alucompact® → Pure-white → Cristal
	269 cm 1057/8"	→ Alucompact® → Pure-white → Cristal
	289 cm 1136/8"	→ Alucompact® → Pure-white → Cristal

Prof. 90 cm Depth 353/8"

90	114 cm 447/8"	→ Alucompact® → Pure-white → Cristal
	139 cm 546/8"	→ Alucompact® → Pure-white → Fenix-NTM® → Cristal → DEKTON®
	139/176/214 cm 546/8/692/8/842/8"	→ Alucompact® → Pure-white → Fenix-NTM® → Cristal → DEKTON®
	166 cm 653/8"	→ Alucompact® → Pure-white → Fenix-NTM® → Cristal → DEKTON®
	166/203/241/278 cm 653/8/797/8/947/8/1094/8"	→ Alucompact® → Pure-white → Fenix-NTM® → Cristal
	166/203/241 cm 653/8/797/8/947/8"	→ DEKTON®
	166/201/236/271 cm 653/8/791/8/927/8/1066/8"	→ Madera
	189 cm 743/8"	→ Alucompact® → Pure-white → Fenix-NTM® → Cristal → DEKTON® → Madera
	189/226/263 cm 743/8/89/1034/8"	→ Alucompact® → Pure-white → Fenix-NTM® → Cristal *
	189/226/263 cm 743/8/89/1034/8"	→ DEKTON®
	189/224/259/294 cm 743/8/882/8/102/1156/8"	→ Madera
	209 cm 822/8"	→ Alucompact® → Pure-white → Fenix-NTM® → Cristal → Madera
	209/246/283 cm 822/8/967/8/1113/8"	→ Alucompact® → Pure-white → Fenix-NTM® → Cristal *
	209/253/297 cm 822/8/995/8/1167/8"	→ Madera
	229 cm 901/8"	→ Alucompact® → Pure-white → Cristal → Madera
	249 cm 98"	→ Alucompact® → Pure-white → Cristal → Madera
	269 cm 1057/8"	→ Alucompact® → Pure-white → Cristal → Madera
	289 cm 1136/8"	→ Alucompact® → Pure-white → Cristal → Madera

Prof. 100 cm Depth 393/8"

100	139 cm 546/8"	→ Alucompact® → Pure-white → Cristal
	166 cm 653/8"	→ Alucompact® → Pure-white → Fenix-NTM® → Cristal → DEKTON®
	166/213/260 cm 653/8/837/8/1023/8"	→ Alucompact® → Pure-white → Fenix-NTM® → Cristal *
	166/203/240 cm 653/8/797/8/944/8"	→ DEKTON®
	166/201/236/271 cm 653/8/791/8/927/8/1066/8"	→ Madera
	189 cm 743/8"	→ Alucompact® → Pure-white → Fenix-NTM® → Cristal → DEKTON® → Madera
	189/236/283 cm 743/8/927/8/1113/8"	→ Alucompact® → Pure-white → Fenix-NTM® → Cristal *
	189/226/263 cm 743/8/89/1034/8"	→ DEKTON®
	189/224/259/294 cm 743/8/882/8/102/1156/8"	→ Madera
	209 cm 822/8"	→ Alucompact® → Pure-white → Fenix-NTM® → Cristal → Madera
	209/256/303 cm 822/8/1006/8/1192/8"	→ Alucompact® → Pure-white → Fenix-NTM® → Cristal *
	209/253/297 cm 822/8/995/8/1167/8"	→ Madera
	229 cm 901/8"	→ Alucompact® → Pure-white → Cristal → DEKTON® → Madera
	249 cm 98"	→ Alucompact® → Pure-white → Cristal → Madera
	269 cm 1057/8"	→ Alucompact® → Pure-white → Cristal → DEKTON® → Madera
	289 cm 1136/8"	→ Alucompact® → Pure-white → Cristal → Madera

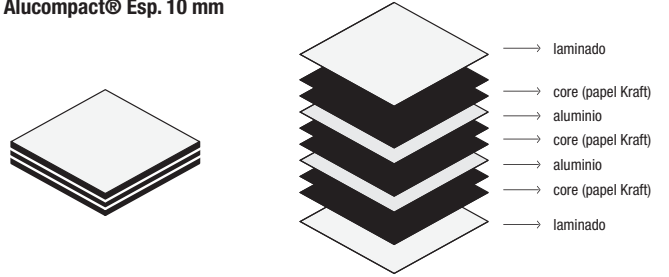
* = 3' prolongación adicional (bajo petición)

Sobres

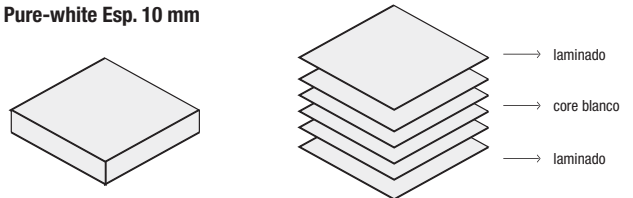
Prof. 124 cm
Depth 48 3/8"

124	209 cm 82 2/8"	→ Alucompact® → Pure-white → Cristal
	229 cm 90 1/8"	→ Alucompact® → Pure-white → Cristal
	277 cm 109"	→ Alucompact® → Pure-white → Cristal

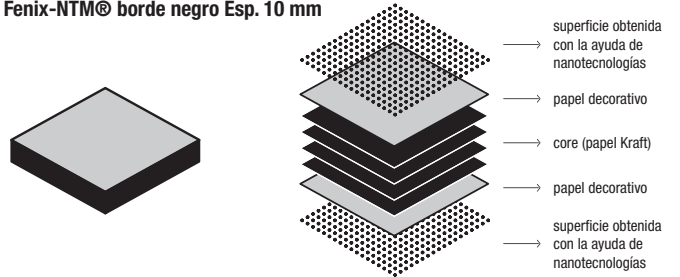
Alucompact® Esp. 10 mm



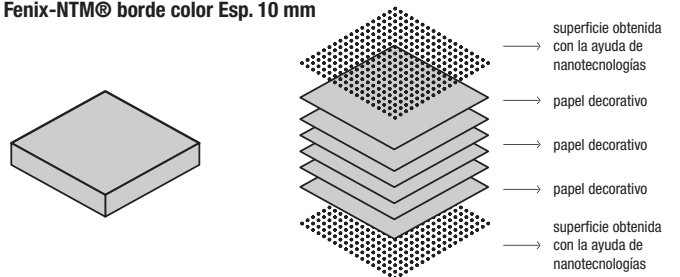
Pure-white Esp. 10 mm



Fenix-NTM® borde negro Esp. 10 mm



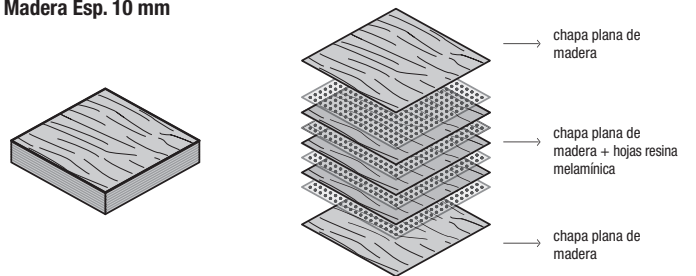
Fenix-NTM® borde color Esp. 10 mm



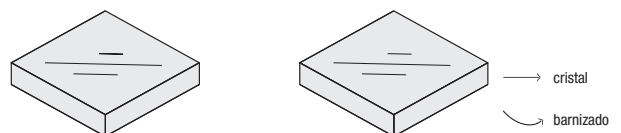
DEKTON® by Cosentino Esp. 8 mm



Madera Esp. 10 mm



Cristal Esp. 10 mm



MAKI ALUcompact® / PURE-WHITE

Extensible - Profundidad 80 cm

Acabado patas:

Aluminio barnizado blanco (parecido al RAL 9016)

Aluminio barnizado "Alucompact® gris arena" (parecido al RAL 9002)

Aluminio barnizado "Alucompact® gris antracita" (parecido al RAL 7015)

Aluminio barnizado negro (parecido al RAL 9004)

Acabado sobre/prolongaciones:

Laminado Alucompact® (blanco, gris arena, gris antracita, negro)

Laminado Pure-white blanco

Notas:

En las mesas con códigos marcados con un asterisco (*) existe la posibilidad de añadir la tercera prolongación para alargarlas todavía más.

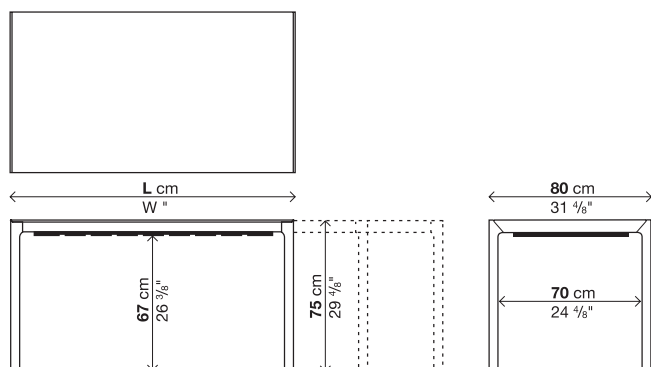
Atención: las medidas o los acabados marcados con (!) tienen los tiempos de producción más largos, de aproximadamente 6 semanas desde la fecha del pedido.

Embalajes reforzados, ver lado interno de la portada.

Código	Longitud	Patas	Sobre		pack	m ²	Kg
			Alucompact®	Pure-white (!)			
01MAK01	114-154-194	Barnizado			3	0,32	63
01MAK02	139-179-219	Barnizado			3	0,37	69
01MAK07*	166-206-246	Barnizado			3	0,42	75

(*) 3ª prolongación adicional

Código	Longitud	Sobre		pack	m ²	Kg
		Alucompact®	Pure-white			
50SUS5A	33 cm			1	0,03	6



MAKI ALUCOMPACT® / PURE-WHITE

Fija - Profundidad 80 cm

Acabado patas:

Aluminio barnizado blanco (parecido al RAL 9016)

Aluminio barnizado "Alucompact® gris arena" (parecido al RAL 9002)

Aluminio barnizado "Alucompact® gris antracita" (parecido al RAL 7015)

Aluminio barnizado negro (parecido al RAL 9004)

Acabado sobre:

Laminado Alucompact® (blanco, gris arena, gris antracita, negro)

Laminado Pure-white blanco

Notas:

Atención: las medidas o los acabados marcados con (!) tienen los tiempos de producción más largos, de aproximadamente 6 semanas desde la fecha del pedido.

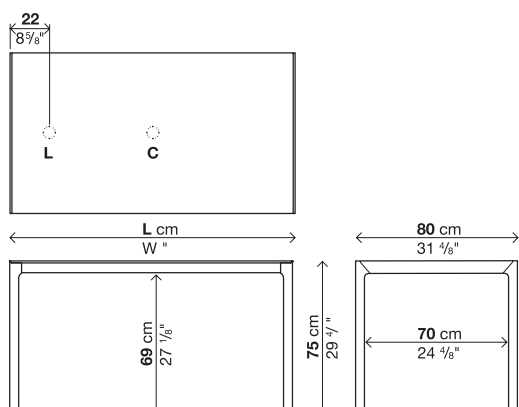
Las mesas que superan los 250 cm extendidas presentan una ligera flexión del sobre que respeta los estándares de calidad aceptados.

Embalajes reforzados, ver lado interno de la portada.

Código	Longitud	Patas	Sobre		pack	m ³	Kg
			Alucompact®	Pure-white			
01MAK01F	114	Barnizado			1	0,27	43
01MAK02F	139	Barnizado			1	0,32	49
01MAK28F	166 (!)	Barnizado			1	0,37	55
01MAK33F	189 (!)	Barnizado			1	0,41	60
01MAK35F	209 (!)	Barnizado			1	0,45	64
01MAK37F	229 (!)	Barnizado			1	0,49	68
01MAK43F	249 (!)	Barnizado			1	0,53	73
01MAK45F	269 (!)	Barnizado			1	0,57	76
01MAK47F	289 (!)	Barnizado			1	0,61	80

Opcionales

Código	Descripción	pack	m ²	Kg
02FOR01	Orificio guíacables lateral o central Ø6	-	-	-
02RET01	Red de cable de plástico	1	0,07	1
02VER01	Vértebra, metacrilato opalino	1	0,007	1,5
02CPU01	Porta CPU, metacrilato opalino	1	0,14	5,5



MAKI ALUcompact® / PURE-WHITE / FENIX-NTM®

Extensible - Profundidad 90 cm

Acabado patas:

Aluminio barnizado blanco (parecido al RAL 9016)
 Aluminio barnizado "Alucompact® gris arena" (parecido al RAL 9002)
 Aluminio barnizado "Alucompact® gris antracita" (parecido al RAL 7015)
 Aluminio barnizado "Fenix-NTM® gris Londres" (parecido al RALL Design0805005)
 Aluminio barnizado "Fenix-NTM® gris Bromo" (parecido al RAL 7012)
 Aluminio barnizado negro (parecido al RAL 9004)
 Aluminio barnizado verde oliva (para referencia color ver "Poliuretano verde oliva P008")

Acabado sobre/prolongaciones:

Laminado Alucompact® (blanco, gris arena, gris antracita, negro)

 Laminado Pure-white blanco

 Fenix-NTM® borde negro (blanco Kos 0032, gris Londres 0718, gris Bromo 0724, negro Ingo 0720)

 Fenix-NTM® borde color (blanco Kos 0032, gris Londres 0718)

Notas:

En las mesas con códigos marcados con un asterisco (*) existe la posibilidad de añadir la tercera prolongación para alargarlas todavía más.

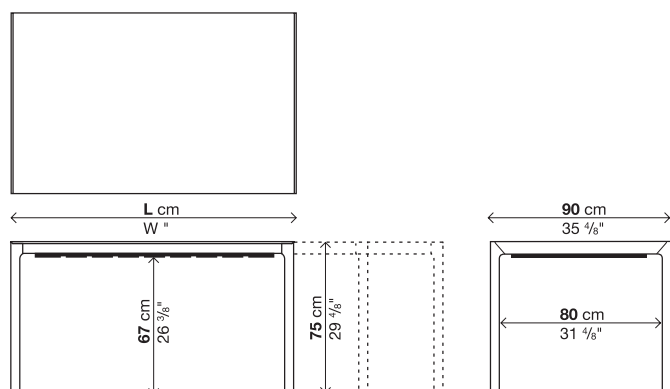
Atención: las medidas o los acabados marcados con (!) tienen los tiempos de producción más largos, de aproximadamente 6 semanas desde la fecha del pedido.

Embalajes reforzados, ver lado interno de la portada.

Código	Longitud	Patatas	Sobre				pack	m³	Kg
			Alucompact®	Fenix-NTM® borde negro	Pure-white	Fenix-NTM® borde color			
01MAK03	139-176-214	Barnizado					3	0,41	79
01MAK04	166-203-241-278 Tercera prolongación de serie	Barnizado					4	0,5	89
01MAK08*	189-226-263	Barnizado					3	0,51	90
01MAK30*	209-246-283	Barnizado					3	0,55	96

(*) 3ª prolongación adicional

Código	Longitud	Sobre				pack	m³	Kg
		Alucompact®	Fenix-NTM® borde negro	Pure-white	Fenix-NTM® borde color			
50SUS2A	37,5 cm					1	0,03	6,5



MAKI ALUcompact® / PURE-WHITE / FENIX-NTM®

Fija - Profundidad 90 cm

Acabado patas:

- Aluminio barnizado blanco (parecido al RAL 9016)
- Aluminio barnizado "Alucompact® gris arena" (parecido al RAL 9002)
- Aluminio barnizado "Alucompact® gris antracita" (parecido al RAL 7015)
- Aluminio barnizado "Fenix-NTM® gris Londres" (parecido al RALL Design0805005)
- Aluminio barnizado "Fenix-NTM® gris Bromo" (parecido al RAL 7012)
- Aluminio barnizado negro (parecido al RAL 9004)
- Aluminio barnizado verde oliva (para referencia color ver "Poliuretano verde oliva P008")

Acabado sobre:

- Laminado Alucompact® (blanco, gris arena, gris antracita, negro)
-
- Laminado Pure-white blanco
-
- Fenix-NTM® borde negro (blanco Kos 0032, gris Londres 0718, gris Bromo 0724, negro Ingo 0720)
-
- Fenix-NTM® borde color (blanco Kos 0032, gris Londres 0718)

Notas:

Atención: las medidas o los acabados marcados con (!) tienen los tiempos de producción más largos, de aproximadamente 6 semanas desde la fecha del pedido.

Las mesas que superan los 250 cm extendidas presentan una ligera flexión del sobre que respeta los estándares de calidad aceptados.

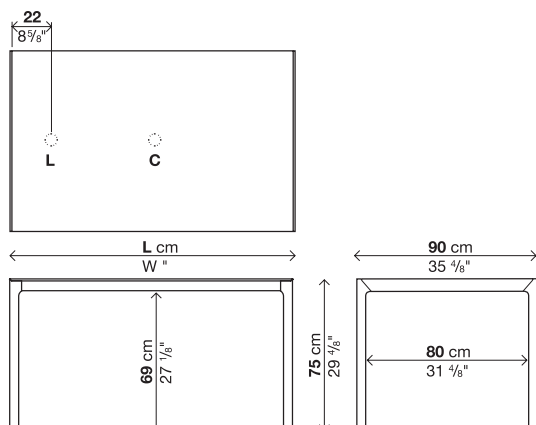
Las mesas de 269 y 289 cm de longitud presentan una barra de soporte central bajo el sobre, de manera que los posibles orificios pasacables no podrán colocarse centrados en la profundidad, sino ligeramente desplazados.

Embalajes reforzados, ver lado interno de la portada.

Código	Longitud	Patas	Sobre				pack	m ³	Kg
			Alucompact®	Fenix-NTM® borde negro	Pure-white	Fenix-NTM® borde color			
01MAK51F	114	Barnizado		-		-	1	0,3	49
01MAK03F	139	Barnizado					1	0,36	54
01MAK04F	166	Barnizado					1	0,42	60
01MAK53F	189	Barnizado					1	0,46	65
01MAK30F	209	Barnizado					1	0,5	70
01MAK55F	229 (!)	Barnizado		-		-	1	0,55	74
01MAK57F	249 (!)	Barnizado		-		-	1	0,59	79
01MAK59F	269 (!)	Barnizado		-		-	1	0,63	87
01MAK61F	289 (!)	Barnizado		-		-	1	0,67	93

Opcionales

Código	Descripción	pack	m ³	Kg
02FOR01	Orificio guíacables lateral o central Ø6	-	-	-
02RET02	Red de cable de plástico	1	0,07	1
02VER01	Vértebra, metacrilato opalino	1	0,007	1,5
02CPU02	Porta CPU, metacrilato opalino	1	0,14	5,5



MAKI ALUcompact® / PURE-WHITE / FENIX-NTM®

Extensible - Profundidad 100 cm

Acabado patas:

Aluminio barnizado blanco (parecido al RAL 9016)
 Aluminio barnizado "Alucompact® gris arena" (parecido al RAL 9002)
 Aluminio barnizado "Alucompact® gris antracita" (parecido al RAL 7015)
 Aluminio barnizado "Fenix-NTM® gris Londres" (parecido al RALL Design0805005)
 Aluminio barnizado "Fenix-NTM® gris Bromo" (parecido al RAL 7012)
 Aluminio barnizado negro (parecido al RAL 9004)
 Aluminio barnizado verde oliva (para referencia color ver "Poliuretano verde oliva P008")

Acabado sobre/prolongaciones:

Laminado Alucompact® (blanco, gris arena, gris antracita, negro)

 Laminado Pure-white blanco

 Fenix-NTM® borde negro (blanco Kos 0032, gris Londres 0718, gris Bromo 0724, negro Ingo 0720)

 Fenix-NTM® borde color (blanco Kos 0032, gris Londres 0718)

Notas:

En las mesas con códigos marcados con un asterisco (*) existe la posibilidad de añadir la tercera prolongación para alargarlas todavía más.

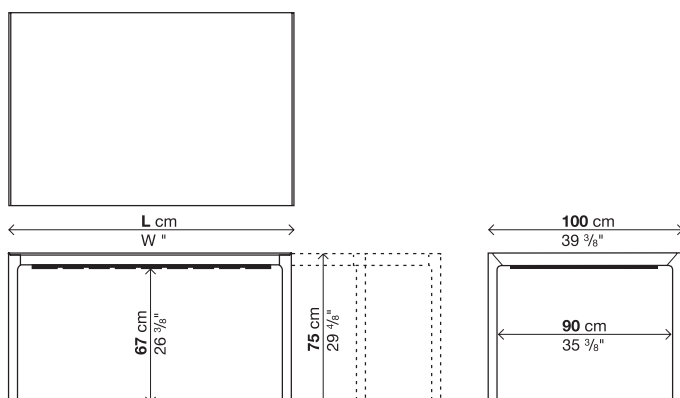
Atención: las medidas o los acabados marcados con (!) tienen los tiempos de producción más largos, de aproximadamente 6 semanas desde la fecha del pedido.

Embalajes reforzados, ver lado interno de la portada.

Código	Longitud	Patas	Sobre				pack	m ²	Kg
			Alucompact®	Fenix-NTM® borde negro	Pure-white	Fenix-NTM® borde color			
01MAK05*	166-213-260	Barnizado					3	0,52	93
01MAK09*	189-236-283	Barnizado					3	0,57	100
01MAK06*	209-256-303	Barnizado					3	0,62	106

(*) 3ª prolongación adicional

Código	Longitud	Sobre				pack	m ²	Kg
		Alucompact®	Fenix-NTM® borde negro	Pure-white	Fenix-NTM® borde color			
50SUS6A	33 cm					1	0,03	6



MAKI ALUcompact® / PURE-WHITE / FENIX-NTM®

Fija - Profundidad 100 cm

Acabado patas:

- Aluminio barnizado blanco (parecido al RAL 9016)
- Aluminio barnizado "Alucompact® gris arena" (parecido al RAL 9002)
- Aluminio barnizado "Alucompact® gris antracita" (parecido al RAL 7015)
- Aluminio barnizado "Fenix-NTM® gris Londres" (parecido al RAL Design0805005)
- Aluminio barnizado "Fenix-NTM® gris Bromo" (parecido al RAL 7012)
- Aluminio barnizado negro (parecido al RAL 9004)
- Aluminio barnizado verde oliva (para referencia color ver "Poliuretano verde oliva P008")

Acabado sobre:

- Laminado Alucompact® (blanco, gris arena, gris antracita, negro)
-
- Laminado Pure-white blanco
-
- Fenix-NTM® borde negro (blanco Kos 0032, gris Londres 0718, gris Bromo 0724, negro Ingo 0720)
-
- Fenix-NTM® borde color (blanco Kos 0032, gris Londres 0718)

Notas:

Atención: las medidas o los acabados marcados con (!) tienen los tiempos de producción más largos, de aproximadamente 6 semanas desde la fecha del pedido.

Las mesas que superan los 250 cm extendidas presentan una ligera flexión del sobre que respeta los estándares de calidad aceptados.

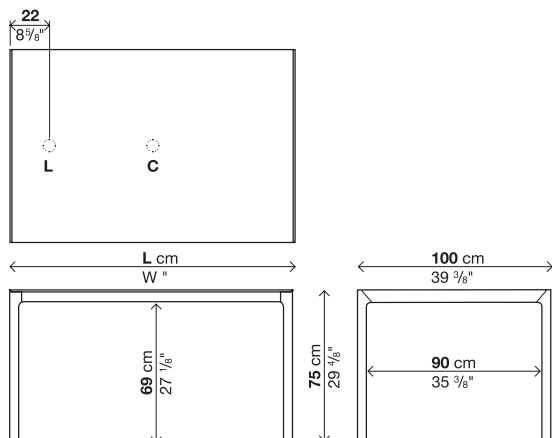
Las mesas de 269 y 289 cm de longitud presentan una barra de soporte central bajo el sobre, de manera que los posibles orificios pasacables no podrán colocarse centrados en la profundidad, sino ligeramente desplazados.

Embalajes reforzados, ver lado interno de la portada.

Código	Longitud	Patas	Sobre				pack	m³	Kg
			Alucompact®	Fenix-NTM® borde negro	Pure-white	Fenix-NTM® borde color			
01MAK65F	139	Barnizado		-		-	1	0,39	58
01MAK05F	166	Barnizado					1	0,45	64
01MAK07F	189	Barnizado					1	0,5	70
01MAK06F	209	Barnizado					1	0,55	75
01MAK08F	229 (!)	Barnizado		-		-	1	0,6	80
01MAK67F	249 (!)	Barnizado		-		-	1	0,65	85
01MAK69F	269 (!)	Barnizado		-		-	1	0,69	63
01MAK32F	289 (!)	Barnizado		-		-	1	0,74	98

Opcionales

Código	Descripción	pack	m³	Kg
02FOR01	Orificio guíacables lateral o central Ø6	-	-	-
02RET03	Red de cable de plástico	1	0,07	1
02VER01	Vértebra, metacrilato opalino	1	0,007	1,5
02CPU03	Porta CPU, metacrilato opalino	1	0,14	5,5



MAKI ALUCOMPACT® / PURE-WHITE

Fija - Profundidad 124 cm

Acabado patas:

Aluminio barnizado blanco (parecido al RAL 9016)

Aluminio barnizado "Alucompact® gris arena" (parecido al RAL 9002)

Aluminio barnizado "Alucompact® gris antracita" (parecido al RAL 7015)

Aluminio barnizado negro (parecido al RAL 9004)

Aluminio barnizado verde oliva (para referencia color ver "Poliuretano verde oliva P008")

Acabado sobre:

Laminado Alucompact® (blanco, gris arena, gris antracita, negro)

Laminado Pure-white blanco

Notas:

Atención: las medidas o los acabados marcados con (!) tienen los tiempos de producción más largos, de aproximadamente 6 semanas desde la fecha del pedido.

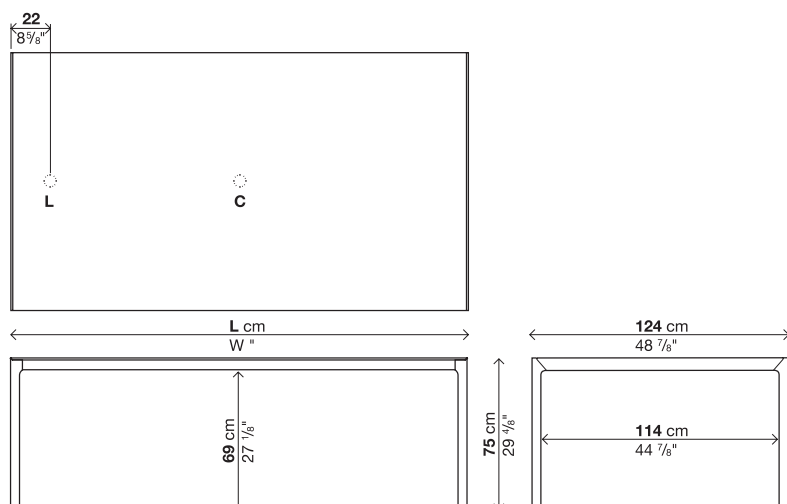
Las mesas que superan los 250 cm extendidas presentan una ligera flexión del sobre que respeta los estándares de calidad aceptados.

Embalajes reforzados, ver lado interno de la portada.

Código	Longitud	Patas	Sobre		pack	m ²	Kg
			Alucompact®	Pure-white			
01MAK71F	209 (!)	Barnizado			1	0,66	94
01MAK73F	229 (!)	Barnizado			1	0,72	100
01MAK75F	277 (!)	Barnizado			1	0,85	116

Opcionales

Código	Descripción	pack	m ²	Kg
02FOR01	Orificio guiacables lateral o central Ø6	-	-	-
02RET04	Red de cable de plástico	1	0,07	1
02VER01	Vértebra, metacrilato opalino	1	0,007	1,5
02CPU04	Porta CPU, metacrilato opalino	1	0,14	5,5



MAKI DEKTON® BY COSENTINO

Extensible - Profundidad 90 cm

Acabado patas:

Aluminio barnizado blanco (parecido al RAL 9016)

Aluminio barnizado "gris Ventus"

Aluminio barnizado verde oliva (para referencia color ver "Poliuretano verde oliva P008")

Acabado sobre:

DEKTON® blanco Zenith

DEKTON® gris Ventus

DEKTON® Aura (mármol digital)

Acabado prolongaciones:

Aluminio barnizado blanco (parecido al RAL 9016)

Aluminio barnizado "gris Ventus"

Notas:

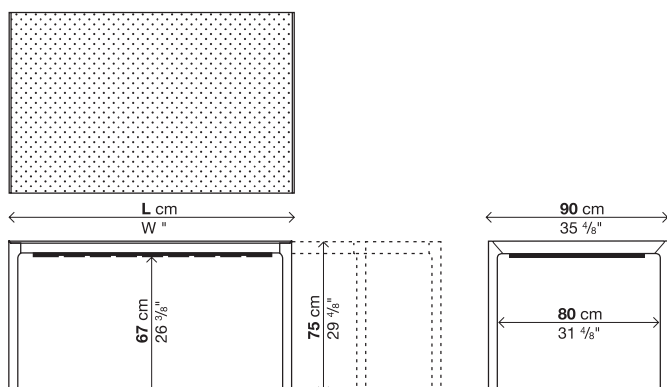
Atención: los veteados reproducidos sobre la superficie de los sobres de DEKTON® Aura (mármol digital) están dispuestos de modo casual, peculiaridad que hace que cada sobre resulte único e irrepetible. Esta característica implica posibles diferencias respecto a las muestras, que no pueden considerarse como imperfecciones o anomalías objeto de reclamación. Debido a la casualidad de su disposición, no es posible obtener bajo pedido veteados más o menos homogéneos.

Atención: las medidas o los acabados marcados con (!) tienen los tiempos de producción más largos, de aproximadamente 6 semanas desde la fecha del pedido.

Las mesas que superan los 250 cm extendidas presentan una ligera flexión del sobre que respeta los estándares de calidad aceptados.

Embalajes reforzados, ver lado interno de la portada.

Código	Longitud	Patas	Sobre	pack	m ²	Kg
			DEKTON®			
01MAK03	139-176-214 (!)	Barnizado		3	0,41	97
01MAK04	166-203-241 (!)	Barnizado		3	0,5	110
01MAK08	189-226-263 (!)	Barnizado		3	0,51	113



MAKI DEKTON® BY COSENTINO

Fija - Profundidad 90 cm

Acabado patas:

Aluminio barnizado blanco (parecido al RAL 9016)

Aluminio barnizado "gris Ventus"

Aluminio barnizado verde oliva (para referencia color ver "Poliuretano verde oliva P008")

Acabado sobre:

DEKTON® blanco Zenith

DEKTON® gris Ventus

DEKTON® Aura (mármol digital)

Notas:

Atención: los veteados reproducidos sobre la superficie de los sobres de DEKTON® Aura (mármol digital) están dispuestos de modo casual, peculiaridad que hace que cada sobre resulte único e irrepetible. Esta característica implica posibles diferencias respecto a las muestras, que no pueden considerarse como imperfecciones o anomalías objeto de reclamación. Debido a la casualidad de su disposición, no es posible obtener bajo pedido veteados más o menos homogéneos.

Atención: las medidas o los acabados marcados con (!) tienen los tiempos de producción más largos, de aproximadamente 6 semanas desde la fecha del pedido.

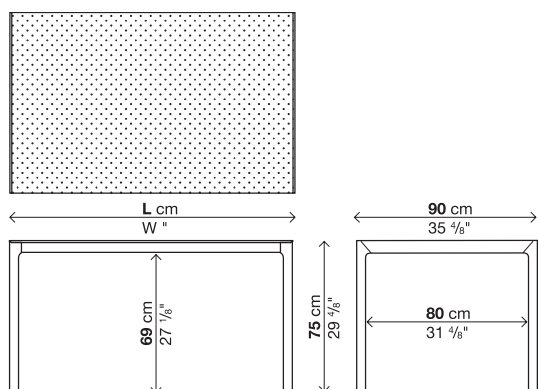
Las mesas que superan los 250 cm extendidas presentan una ligera flexión del sobre que respeta los estándares de calidad aceptados.

Embalajes reforzados, ver lado interno de la portada.

Código	Longitud	Patas	Sobre	pack	m ³	Kg
			DEKTON®			
01MAK03F	139 (!)	Barnizado		1	0,36	68
01MAK04F	166 (!)	Barnizado		1	0,42	77
01MAK53F	189 (!)	Barnizado		1	0,46	84

Opcionales

Código	Descripción	pack	m ³	Kg
02RET02	Red de cable de plástico	1	0,07	1
02VER01	Vértebra, metacrilato opalino	1	0,007	1,5
02CPU02	Porta CPU, metacrilato opalino	1	0,14	5,5



HIGHLY UV
RESISTANT



RESISTANT TO
ABRASION



RESISTANT
TO STAIN



MAXIMUM
RESISTANCE
TO FIRE AND HEAT



LOW
WATER
ABSORPTION



HIGH
MECHANICAL
RESISTANCE



COLOUR
STABILITY



DIMENSIONAL
STABILITY



FIREPROOF
MATERIAL

MAKI DEKTON® BY COSENTINO

Extensible - Profundidad 100 cm

Acabado patas:

Aluminio barnizado blanco (parecido al RAL 9016)

Aluminio barnizado "gris Ventus"

Aluminio barnizado verde oliva (para referencia color ver "Poliuretano verde oliva P008")

Acabado sobre:

DEKTON® blanco Zenith

DEKTON® gris Ventus

DEKTON® Aura (mármol digital)

Acabado prolongaciones:

Aluminio barnizado blanco (parecido al RAL 9016)

Aluminio barnizado "gris Ventus"

Notas:

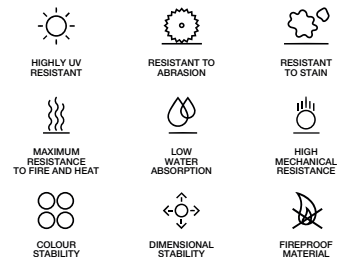
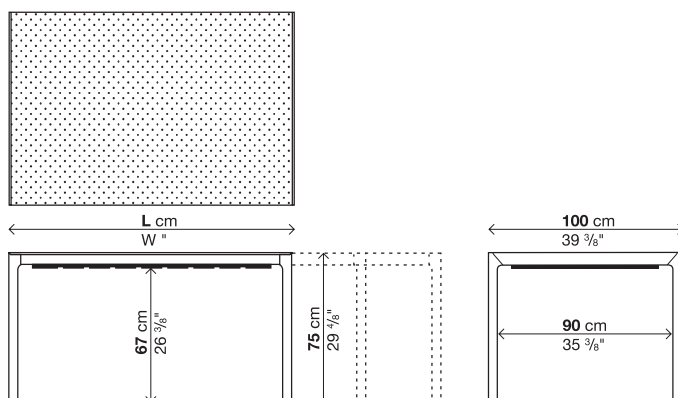
Atención: los veteados reproducidos sobre la superficie de los sobres de DEKTON® Aura (mármol digital) están dispuestos de modo casual, peculiaridad que hace que cada sobre resulte único e irrepetible. Esta característica implica posibles diferencias respecto a las muestras, que no pueden considerarse como imperfecciones o anomalías objeto de reclamación. Debido a la casualidad de su disposición, no es posible obtener bajo pedido veteados más o menos homogéneos.

Atención: las medidas o los acabados marcados con (!) tienen los tiempos de producción más largos, de aproximadamente 6 semanas desde la fecha del pedido.

Las mesas que superan los 250 cm extendidas presentan una ligera flexión del sobre que respeta los estándares de calidad aceptados.

Embalajes reforzados, ver lado interno de la portada.

Código	Longitud	Patas	Sobre	pack	m ²	Kg
			DEKTON®			
01MAK05	166-203-240 (!)	Barnizado		3	0,52	116
01MAK09	189-226-263 (!)	Barnizado		3	0,57	126



MAKI DEKTON® BY COSENTINO

Fija - Profundidad 100 cm

Acabado patas:

Aluminio barnizado blanco (parecido al RAL 9016)

Aluminio barnizado "gris Ventus"

Aluminio barnizado verde oliva (para referencia color ver "Poliuretano verde oliva P008")

Acabado sobre:

DEKTON® blanco Zenith

DEKTON® gris Ventus

DEKTON® Aura (mármol digital)

Notas:

Atención: los veteados reproducidos sobre la superficie de los sobres de DEKTON® Aura (mármol digital) están dispuestos de modo casual, peculiaridad que hace que cada sobre resulte único e irrepetible. Esta característica implica posibles diferencias respecto a las muestras, que no pueden considerarse como imperfecciones o anomalías objeto de reclamación. Debido a la casualidad de su disposición, no es posible obtener bajo pedido veteados más o menos homogéneos.

Atención: las medidas o los acabados marcados con (!) tienen los tiempos de producción más largos, de aproximadamente 6 semanas desde la fecha del pedido.

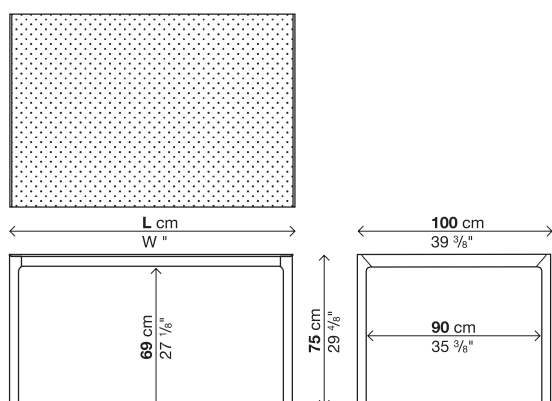
Las mesas que superan los 250 cm extendidas presentan una ligera flexión del sobre que respeta los estándares de calidad aceptados.

Embalajes reforzados, ver lado interno de la portada.

Código	Longitud	Patas	Sobre	pack	m ³	Kg
			DEKTON®			
01MAK05F	166 (!)	Barnizado		1	0,45	82
01MAK07F	189 (!)	Barnizado		1	0,5	91
01MAK08F	229 (!)	Barnizado		1	0,6	105
01MAK69F	269 (!)	Barnizado		1	0,69	123

Opcionales

Código	Descripción	pack	m ³	Kg
02RET03	Red de cable de plástico	1	0,07	1
02VER01	Vértebra, metacrilato opalino	1	0,007	1,5
02CPU03	Porta CPU, metacrilato opalino	1	0,14	5,5



MAKI MADERA

Extensible - Profundidad 90 cm

Acabado patas:

- Aluminio barnizado blanco (parecido al RAL 9016)
- Aluminio barnizado "Alucompact® gris arena" (parecido al RAL 9002)
- Aluminio barnizado "Alucompact® gris antracita" (parecido al RAL 7015)
- Aluminio barnizado "Fenix-NTM® gris Londres" (parecido al RAL Design0805005)
- Aluminio barnizado negro (parecido al RAL 9004)
- Aluminio barnizado verde oliva (para referencia color ver "Poliuretano verde oliva P008")

Acabado sobre/prolongaciones:

- Madera efecto roble europeo
- Madera efecto nogal
- Madera efecto roble teñido negro

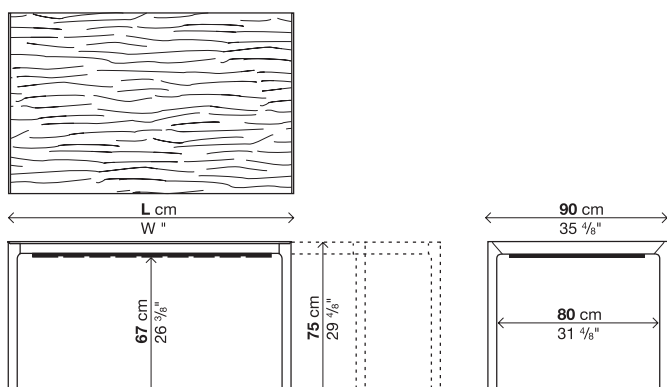
Notas:

Atención: las medidas o los acabados marcados con (!) tienen los tiempos de producción más largos, de aproximadamente 6 semanas desde la fecha del pedido.

Las mesas que superan los 250 cm extendidas presentan una ligera flexión del sobre que respeta los estándares de calidad aceptados.

Embalajes reforzados, ver lado interno de la portada.

Código	Longitud	Patas	Sobre	pack	m ³	Kg
			Madera			
01MAK04	166-201-236-271 con tres extensiones	Barnizado		4	0,5	89
01MAK08	189-224-259-294 con tres extensiones	Barnizado		4	0,54	96,5
01MAK30	209-253-297 (!) con dos extensiones	Barnizado		3	0,55	96



MAKI MADERA

Fija - Profundidad 90 cm

Acabado patas:

Aluminio barnizado blanco (parecido al RAL 9016)
 Aluminio barnizado "Alucompact® gris arena" (parecido al RAL 9002)
 Aluminio barnizado "Alucompact® gris antracita" (parecido al RAL 7015)
 Aluminio barnizado "Fenix-NTM® gris Londres" (parecido al RAL Design0805005)
 Aluminio barnizado negro (parecido al RAL 9004)
 Aluminio barnizado verde oliva (para referencia color ver "Poliuretano verde oliva P008")

Acabado sobre:

Madera efecto roble europeo
 Madera efecto nogal
 Madera efecto roble teñido negro

Notas:

Atención: las medidas o los acabados marcados con (!) tienen los tiempos de producción más largos, de aproximadamente 6 semanas desde la fecha del pedido.

Las mesas que superan los 250 cm extendidas presentan una ligera flexión del sobre que respeta los estándares de calidad aceptados.

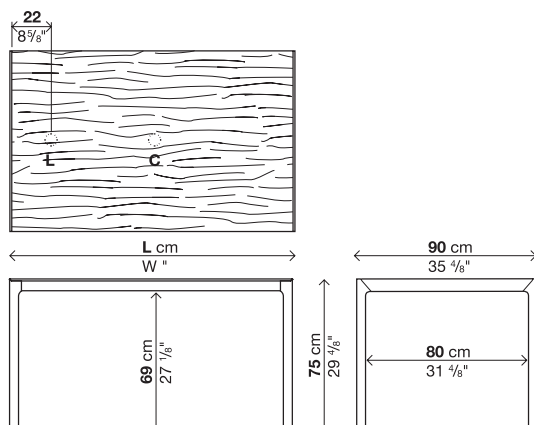
Las mesas de 269 y 289 cm de longitud presentan una barra de soporte central bajo el sobre, de manera que los posibles orificios pasacables no podrán colocarse centrados en la profundidad, sino ligeramente desplazados.

Embalajes reforzados, ver lado interno de la portada.

Código	Longitud	Patas	Sobre	
			pack	m ³ Kg
			Madera	
01MAK53F	189	Barnizado	1	0,46 65
01MAK30F	209 (!)	Barnizado	1	0,5 70
01MAK55F	229 (!)	Barnizado	1	0,55 74
01MAK57F	249 (!)	Barnizado	1	0,59 79
01MAK59F	269 (!)	Barnizado	1	0,63 87
01MAK61F	289 (!)	Barnizado	1	0,67 93

Opcionales

Código	Descripción	pack	m ²	Kg
02FOR01	Orificio guíacables lateral o central Ø6	-	-	-
02RET02	Red de cable de plástico	1	0,07	1
02VER01	Vértebra, metacrilato opalino	1	0,007	1,5
02CPU02	Porta CPU, metacrilato opalino	1	0,14	5,5



MAKI MADERA

Extensible - Profundidad 100 cm

Acabado patas:

Aluminio barnizado blanco (parecido al RAL 9016)
 Aluminio barnizado "Alucompact® gris arena" (parecido al RAL 9002)
 Aluminio barnizado "Alucompact® gris antracita" (parecido al RAL 7015)
 Aluminio barnizado "Fenix-NTM® gris Londres" (parecido al RAL Design0805005)
 Aluminio barnizado negro (parecido al RAL 9004)
 Aluminio barnizado verde oliva (para referencia color ver "Poliuretano verde oliva P008")

Acabado sobre/prolongaciones:

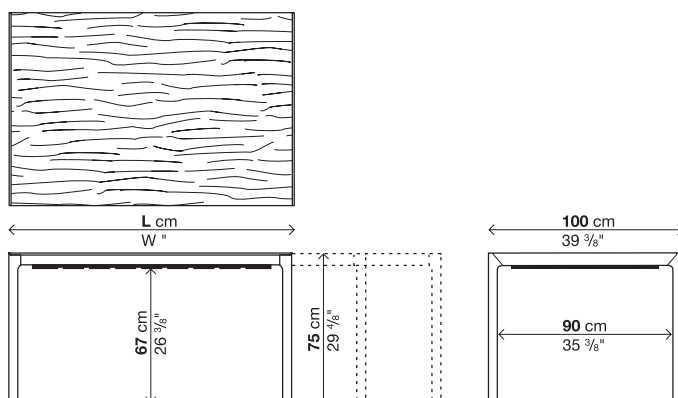
Madera efecto roble europeo
 Madera efecto nogal
 Madera efecto roble teñido negro

Notas:

Las mesas que superan los 250 cm extendidas presentan una ligera flexión del sobre que respeta los estándares de calidad aceptados.

Embalajes reforzados, ver lado interno de la portada.

Código	Longitud	Patas	Sobre	pack	m ³	Kg
			Madera			
01MAK05	166-201-236-271 con tres extensiones	Barnizado		4	0,55	91
01MAK09	189-224-259-294 con tres extensiones	Barnizado		4	0,6	98
01MAK06	209-253-297 con dos extensiones	Barnizado		3	0,62	98



MAKI MADERA

Fija - Profundidad 100 cm

Acabado patas:

Aluminio barnizado blanco (parecido al RAL 9016)
 Aluminio barnizado "Alucompact® gris arena" (parecido al RAL 9002)
 Aluminio barnizado "Alucompact® gris antracita" (parecido al RAL 7015)
 Aluminio barnizado "Fenix-NTM® gris Londres" (parecido al RAL Design0805005)
 Aluminio barnizado negro (parecido al RAL 9004)
 Aluminio barnizado verde oliva (para referencia color ver "Poliuretano verde oliva P008")

Acabado sobre:

Madera efecto roble europeo
 Madera efecto nogal
 Madera efecto roble teñido negro

Notas:

Atención: las medidas o los acabados marcados con (!) tienen los tiempos de producción más largos, de aproximadamente 6 semanas desde la fecha del pedido.

Las mesas que superan los 250 cm extendidas presentan una ligera flexión del sobre que respeta los estándares de calidad aceptados.

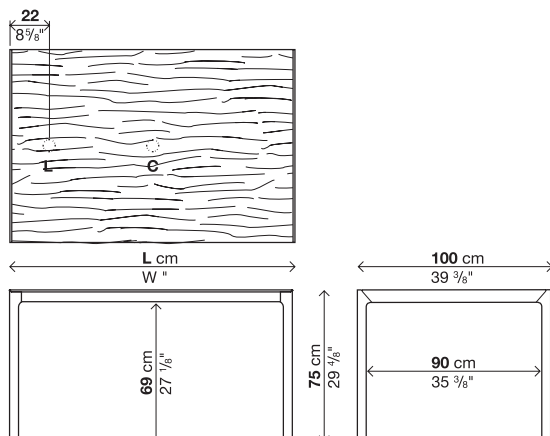
Las mesas de 269 y 289 cm de longitud presentan una barra de soporte central bajo el sobre, de manera que los posibles orificios pasacables no podrán colocarse centrados en la profundidad, sino ligeramente desplazados.

Embalajes reforzados, ver lado interno de la portada.

Código	Longitud	Patas	Sobre	
			pack	m³ Kg
			Madera	
01MAK07F	189	Barnizado	1	0,5 70
01MAK06F	209	Barnizado	1	0,55 75
01MAK08F	229 (!)	Barnizado	1	0,6 80
01MAK67F	249 (!)	Barnizado	1	0,65 85
01MAK69F	269 (!)	Barnizado	1	0,69 93
01MAK32F	289 (!)	Barnizado	1	0,74 98

Opcionales

Código	Descripción	pack	m³	Kg
02FOR01	Orificio guiacables lateral o central Ø6	-	-	-
02RET02	Red de cable de plástico	1	0,07	1
02VER01	Vértebra, metacrilato opalino	1	0,007	1,5
02CPU03	Porta CPU, metacrilato opalino	1	0,14	5,5



MAKI CRISTAL

Extensible - Profundidad 80 cm

Acabado patas:

Aluminio barnizado blanco (parecido al RAL 9016)

Aluminio barnizado negro (parecido al RAL 9004)

Acabado sobre:

Cristal brillante colores: extra white, gris antracita, negro, titanio

Cristal mate colores: extra white, gris antracita, negro, titanio

Acabado prolongaciones:

Laminado Alucompact® blanco

Laminado Alucompact® gris arena

Laminado Alucompact® gris antracita

Laminado Alucompact® negro

Notas:

En las mesas con códigos marcados con un asterisco (*) existe la posibilidad de añadir la tercera prolongación para alargarlas todavía más.

Atención: las medidas o los acabados marcados con (!) tienen los tiempos de producción más largos, de aproximadamente 6 semanas desde la fecha del pedido.

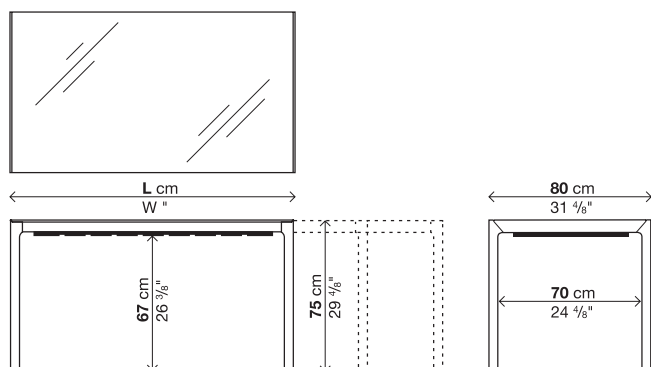
Las mesas que superan los 250 cm extendidas presentan una ligera flexión del sobre que respeta los estándares de calidad aceptados.

Embalajes reforzados, ver lado interno de la portada.

Código	Longitud	Patas	Sobre		pack	m ³	Kg
			Cristal brillante	Cristal mate			
01MAK11	114-154-194	Barnizado			3	0,32	72
01MAK12	139-179-219	Barnizado			3	0,37	80
01MAK16*	166-206-246	Barnizado			3	0,42	87

(*) 3ª prolongación adicional

Código	Longitud	Sobre		pack	m ³	Kg
		Alucompact®				
50SUS5A	33 cm			1	0,03	6



MAKI CRISTAL

Fija - Profundidad 80 cm

Acabado patas:

Aluminio barnizado blanco (parecido al RAL 9016)

Aluminio barnizado negro (parecido al RAL 9004)

Acabado sobre:

Cristal brillante colores: extra white, gris antracita, negro, titanio

Cristal mate colores: extra white, gris antracita, negro, titanio

Notas:

Atención: las medidas o los acabados marcados con (!) tienen los tiempos de producción más largos, de aproximadamente 6 semanas desde la fecha del pedido.

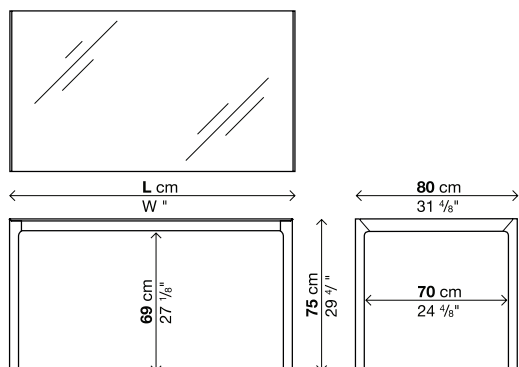
Las mesas que superan los 250 cm extendidas presentan una ligera flexión del sobre que respeta los estándares de calidad aceptados.

Embalajes reforzados, ver lado interno de la portada.

Código	Longitud	Patas	Sobre		pack	m ³	Kg
			Cristal brillante	Cristal mate			
01MAK11F	114	Barnizado			1	0,27	52
01MAK12F	139	Barnizado			1	0,32	60
01MAK29F	166	Barnizado			1	0,37	66
01MAK34F	189	Barnizado			1	0,41	74
01MAK36F	209	Barnizado			1	0,45	80
01MAK38F	229 (!)	Barnizado			1	0,49	85
01MAK44F	249 (!)	Barnizado			1	0,53	91
01MAK46F	269 (!)	Barnizado			1	0,57	96
01MAK48F	289 (!)	Barnizado			1	0,61	102

Opcionales

Código	Descripción	pack	m ³	Kg
02RET01	Red de cable de plástico	1	0,07	1
02VER01	Vértebra, metacrilato opalino	1	0,007	1,5
02CPU01	Porta CPU, metacrilato opalino	1	0,14	5,5



MAKI CRISTAL

Extensible - Profundidad 90 cm

Acabado patas:

Aluminio barnizado blanco (parecido al RAL 9016)

Aluminio barnizado negro (parecido al RAL 9004)

Acabado sobre:

Cristal brillante colores: extra white, gris antracita, negro, titanio

Cristal mate colores: extra white, gris antracita, negro, titanio

Acabado prolongaciones:

Laminado Alucompact® blanco

Laminado Alucompact® gris arena

Laminado Alucompact® gris antracita

Laminado Alucompact® negro

Notas:

En las mesas con códigos marcados con un asterisco (*) existe la posibilidad de añadir la tercera prolongación para alargarlas todavía más.

Atención: las medidas o los acabados marcados con (!) tienen los tiempos de producción más largos, de aproximadamente 6 semanas desde la fecha del pedido.

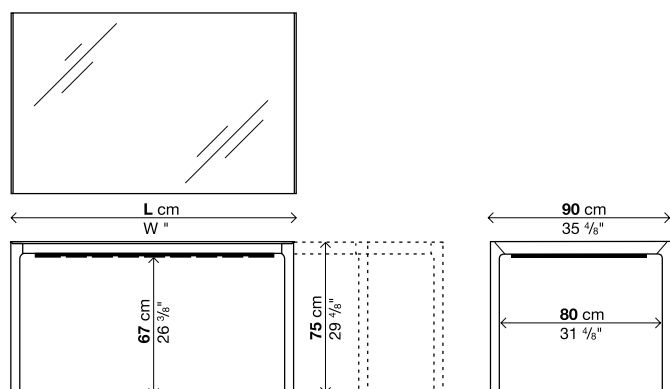
Las mesas que superan los 250 cm extendidas presentan una ligera flexión del sobre que respeta los estándares de calidad aceptados.

Embalajes reforzados, ver lado interno de la portada.

Código	Longitud	Patas	Sobre		pack	m ³	Kg
			Cristal brillante	Cristal mate			
01MAK13	139-176-214	Barnizado			3	0,41	89
01MAK14	166-203-241-278 Tercera prolongación de serie	Barnizado			4	0,5	104
01MAK18*	189-226-263	Barnizado			3	0,51	106
01MAK40*	209-246-283	Barnizado			3	0,55	113

(*) 3ª prolongación adicional

Código	Longitud	Sobre		pack	m ³	Kg
		Alucompact®				
50SUS2A	37,5 cm			1	0,03	6,5



MAKI CRISTAL

Fija - Profundidad 90 cm

Acabado patas:

Aluminio barnizado blanco (parecido al RAL 9016)

Aluminio barnizado negro (parecido al RAL 9004)

Acabado sobre:

Cristal brillante colores: extra white, gris antracita, negro, titanio

Cristal mate colores: extra white, gris antracita, negro, titanio

Notas:

Atención: las medidas o los acabados marcados con (!) tienen los tiempos de producción más largos, de aproximadamente 6 semanas desde la fecha del pedido.

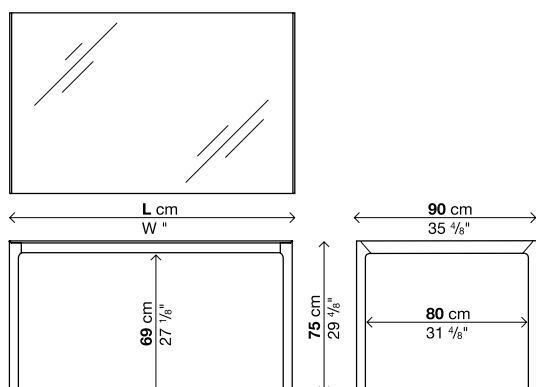
Las mesas que superan los 250 cm extendidas presentan una ligera flexión del sobre que respeta los estándares de calidad aceptados.

Embalajes reforzados, ver lado interno de la portada.

Código	Longitud	Patas	Sobre		pack	m ³	Kg
			Cristal brillante	Cristal mate			
01MAK52F	114	Barnizado			1	0,3	59
01MAK13F	139	Barnizado			1	0,36	66
01MAK14F	166	Barnizado			1	0,42	75
01MAK54F	189	Barnizado			1	0,46	82
01MAK40F	209	Barnizado			1	0,5	88
01MAK56F	229 (!)	Barnizado			1	0,55	94
01MAK58F	249 (!)	Barnizado			1	0,59	100
01MAK60F	269 (!)	Barnizado			1	0,63	111
01MAK62F	289 (!)	Barnizado			1	0,67	117

Opcionales

Código	Descripción	pack	m ³	Kg
02RET02	Red de cable de plástico	1	0,07	1
02VER01	Vértebra, metacrilato opalino	1	0,007	1,5
02CPU02	Porta CPU, metacrilato opalino	1	0,14	5,5



MAKI CRISTAL

Extensible - Profundidad 100 cm

Acabado patas:

Aluminio barnizado blanco (parecido al RAL 9016)

Aluminio barnizado negro (parecido al RAL 9004)

Acabado sobre:

Cristal brillante colores: extra white, gris antracita, negro, titanio

Cristal mate colores: extra white, gris antracita, negro, titanio

Acabado prolongaciones:

Laminado Alucompact® blanco

Laminado Alucompact® gris arena

Laminado Alucompact® gris antracita

Laminado Alucompact® negro

Notas:

En las mesas con códigos marcados con un asterisco (*) existe la posibilidad de añadir la tercera prolongación para alargarlas todavía más.

Atención: las medidas o los acabados marcados con (!) tienen los tiempos de producción más largos, de aproximadamente 6 semanas desde la fecha del pedido.

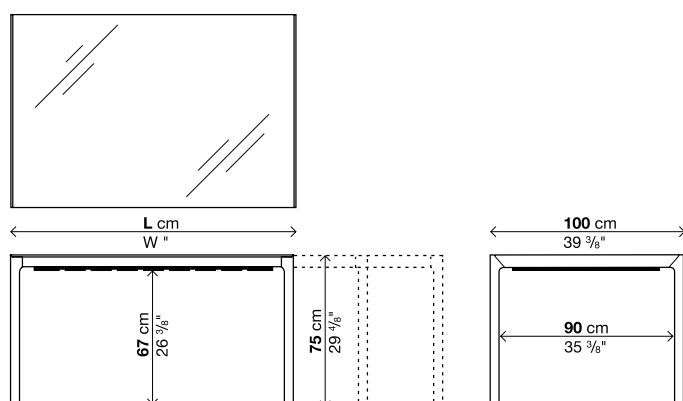
Las mesas que superan los 250 cm extendidas presentan una ligera flexión del sobre que respeta los estándares de calidad aceptados.

Embalajes reforzados, ver lado interno de la portada.

Código	Longitud	Patas	Sobre		pack	m ³	Kg
			Cristal brillante	Cristal mate			
01MAK15*	166-213-260	Barnizado			3	0,52	109
01MAK19*	189-236-283	Barnizado			3	0,57	116
01MAK17*	209-256-303	Barnizado			3	0,62	126

(*) 3ª prolongación adicional

Código	Longitud	Sobre		pack	m ³	Kg
		Alucompact®				
50SUS6A	33 cm			1	0,03	6



MAKI CRISTAL

Fija - Profundidad 100 cm

Acabado patas:

Aluminio barnizado blanco (parecido al RAL 9016)

Aluminio barnizado negro (parecido al RAL 9004)

Acabado sobre:

Cristal brillante colores: extra white, gris antracita, negro, titanio

Cristal mate colores: extra white, gris antracita, negro, titanio

Notas:

Atención: las medidas o los acabados marcados con (!) tienen los tiempos de producción más largos, de aproximadamente 6 semanas desde la fecha del pedido.

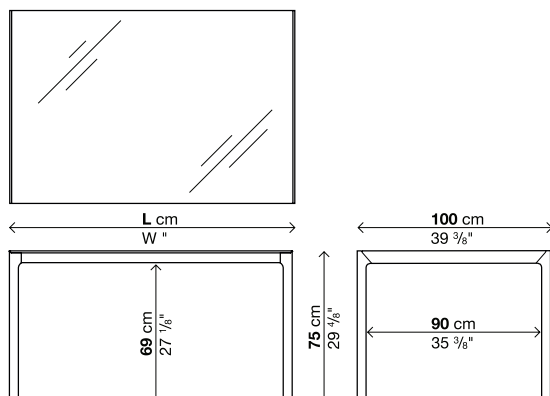
Las mesas que superan los 250 cm extendidas presentan una ligera flexión del sobre que respeta los estándares de calidad aceptados.

Embalajes reforzados, ver lado interno de la portada.

Código	Longitud	Patas	Sobre		pack	m ³	Kg
			Cristal brillante	Cristal mate			
01MAK66F	139	Barnizado			1	0,39	71
01MAK15F	166	Barnizado			1	0,45	80
01MAK18F	189	Barnizado			1	0,5	88
01MAK17F	209	Barnizado			1	0,55	94
01MAK19F	229 (!)	Barnizado			1	0,6	101
01MAK68F	249 (!)	Barnizado			1	0,65	108
01MAK70F	269 (!)	Barnizado			1	0,69	118
01MAK42F	289 (!)	Barnizado			1	0,74	126

Opcionales

Código	Descripción	pack	m ³	Kg
02RET03	Red de cable de plástico	1	0,07	1
02VER01	Vértebra, metacrilato opalino	1	0,007	1,5
02CPU03	Porta CPU, metacrilato opalino	1	0,14	5,5



MAKI CRISTAL

Fija - Profundidad 124 cm

Acabado patas:

Aluminio barnizado blanco (parecido al RAL 9016)

Aluminio barnizado negro (parecido al RAL 9004)

Acabado sobre:

Cristal brillante colores: extra white, gris antracita, negro, titanio

Cristal mate colores: extra white, gris antracita, negro, titanio

Notas:

Atención: las medidas o los acabados marcados con (!) tienen los tiempos de producción más largos, de aproximadamente 6 semanas desde la fecha del pedido.

Las mesas que superan los 250 cm extendidas presentan una ligera flexión del sobre que respeta los estándares de calidad aceptados.

Embalajes reforzados, ver lado interno de la portada.

Código	Longitud	Patas	Sobre		pack	m ³	Kg
			Cristal brillante	Cristal mate			
01MAK72F	209 (!)	Barnizado			1	0,66	117
01MAK74F	229 (!)	Barnizado			1	0,72	126
01MAK76F	277 (!)	Barnizado			1	0,85	148

Opcionales

Código	Descripción	pack	m ³	Kg
02RET04	Red de cable de plástico	1	0,07	1
02VER01	Vértebra, metacrilato opalino	1	0,007	1,5
02CPU04	Porta CPU, metacrilato opalino	1	0,14	5,5

