

# Madison

COMPLEMENTS

2017

Monica Armani



## Description

---

With oval round and rectangular bevelling in oversize dimensions, to be attached vertically or horizontally to the walls: the Madison mirrors create a play of reflections and light in the rooms. Special attention was dedicated to the design of the frame made in Baydur® (high density polyurethane).

## Technical information

---

**Frame**

hard polyurethane

**Panel**

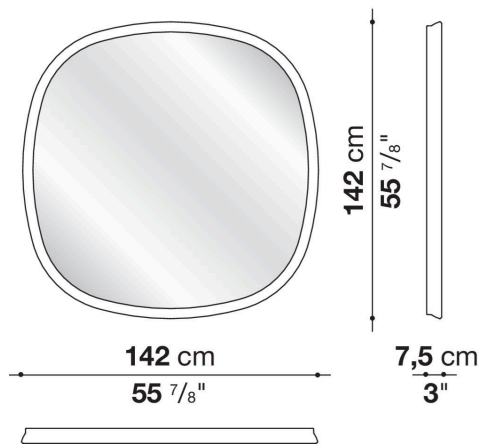
MDF wood fibre with mirror

**Support**

aluminium extrusions

# Technical drawings

**MS142Q**



**MS162**

