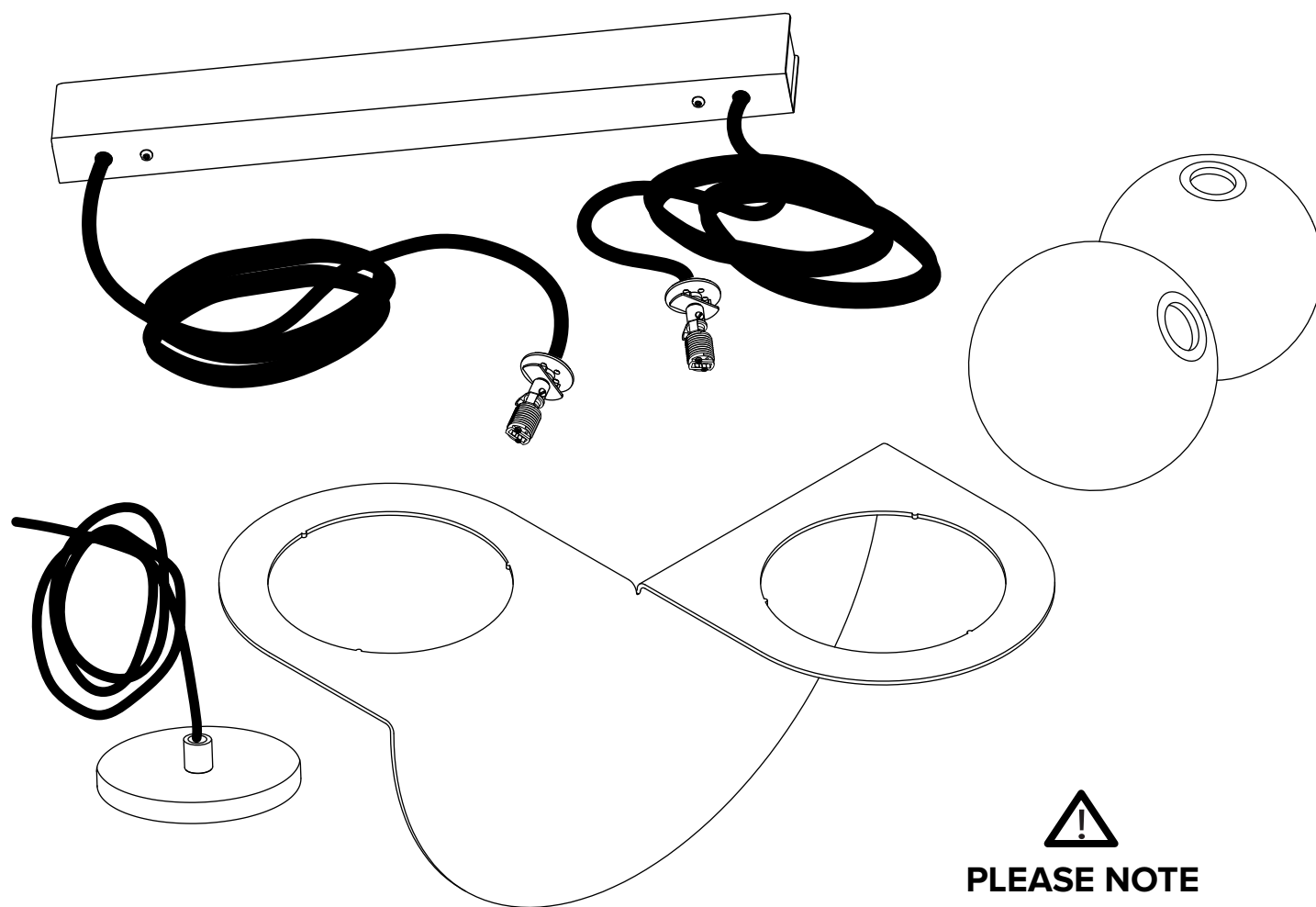
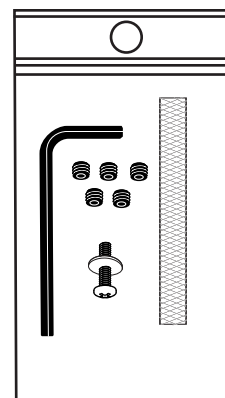
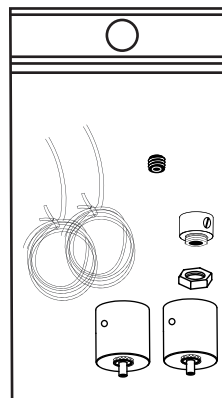


LAURENT

OFFSET PARALLEL



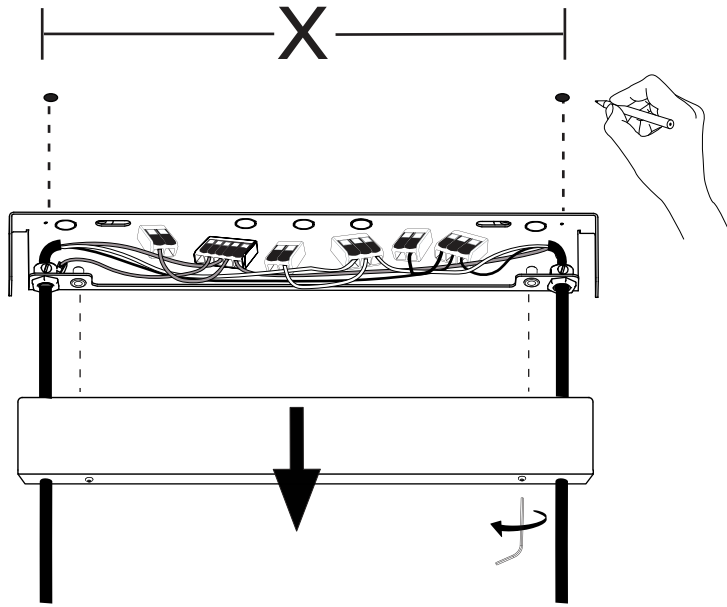
- To be installed by an electrician to an electrical box
- Use appropriate screws and anchors where necessary
- Wear enclosed gloves when handling lamp
- Handle materials with care. Please consult lamp maintenance sheet on our web site
- Should be used exclusively as a lamp and not as a shelving, display or hanging unit



PLEASE NOTE

THIS IS AN EXAMPLE OF THE LRT 01.
HOWEVER, ALL MODELS FOLLOW
THE SAME INSTALLATION PROCESS.

1



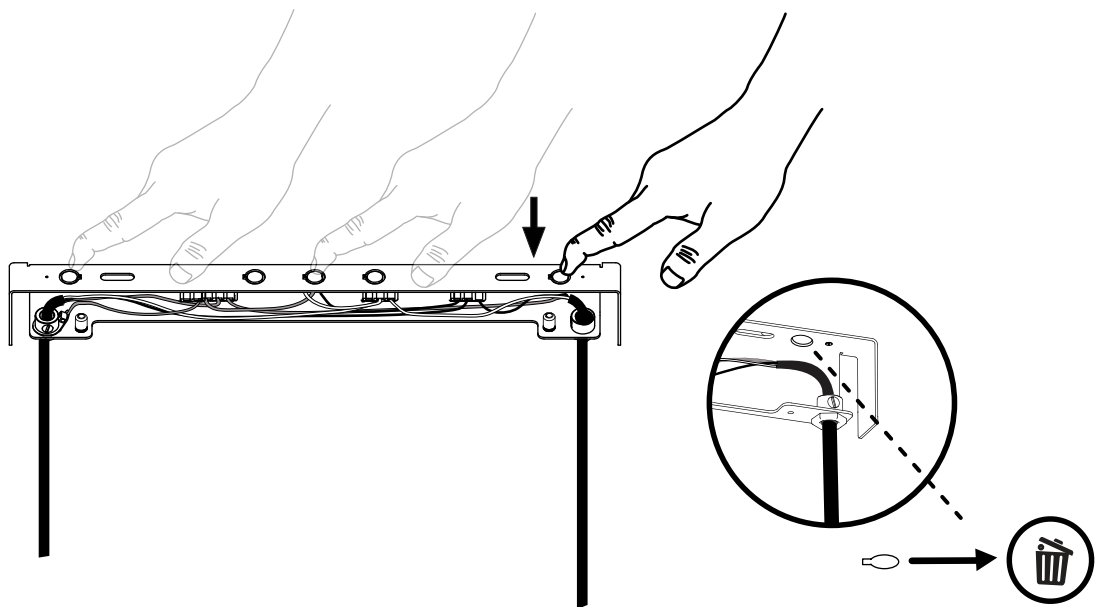
Lower ceiling bracket cover then use the bracket as a guide for your anchor holes.

Make sure to use appropriate anchors for ceiling material.

X

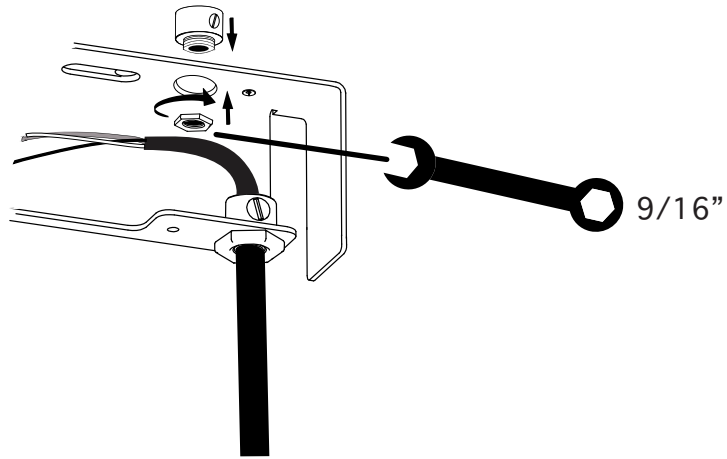
LRT 01	11 1/4" / 285mm
LRT 02	27 3/8" / 698mm
LRT 03	11 1/4" / 565mm
LRT 05	7 3/4" / 196mm
LRT 06	15 5/8" / 398mm
LRT 07	24" / 610mm
LRT 09	11 1/4" / 285mm

2



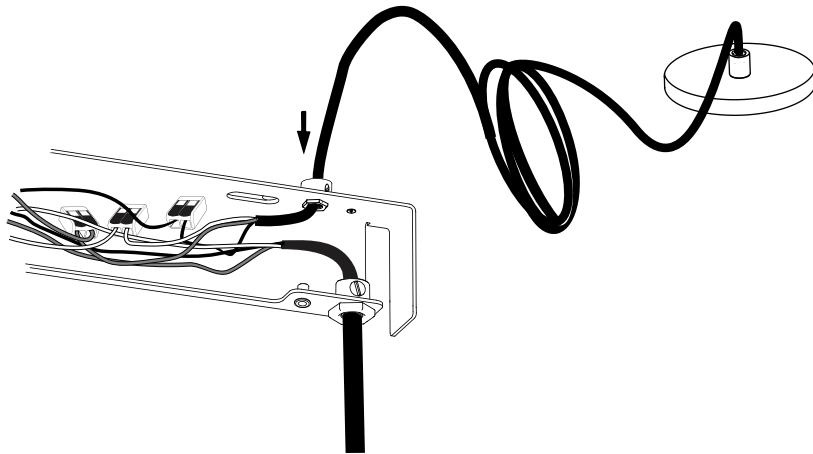
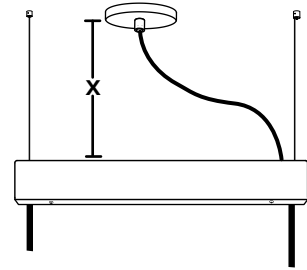
Chose knockout depending on your desired positioning for the exit wire to the canopy.

3

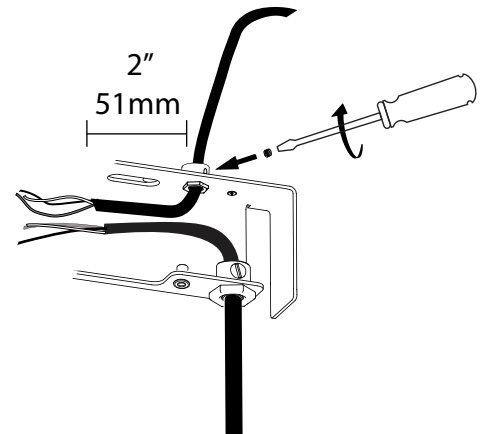


4

Unsleeve and connect to the identified double wago's after you have measured your desired wire length from the ceiling to the canopy (X)

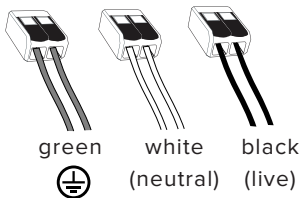


Leave at least 2" (51mm) of unstripped wire inside canopy.



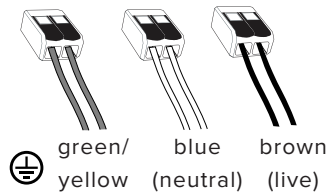
SCREW GENTLY BUT FIRMLY

UL
LISTED

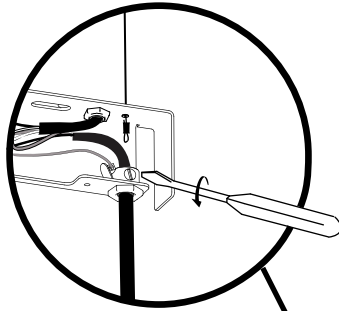
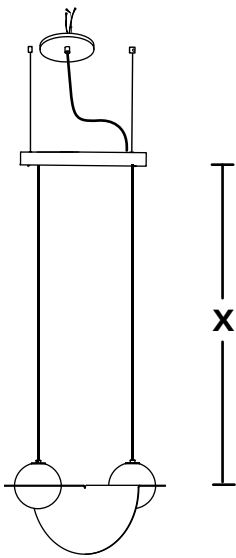


CE

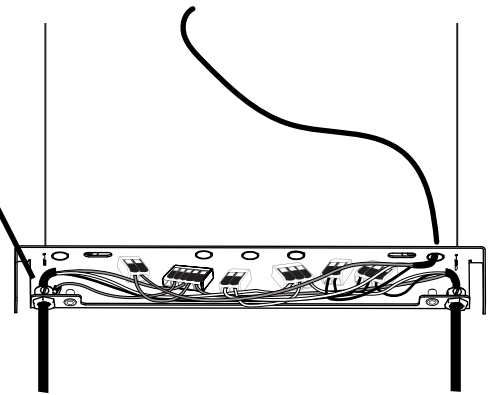
6mm



5

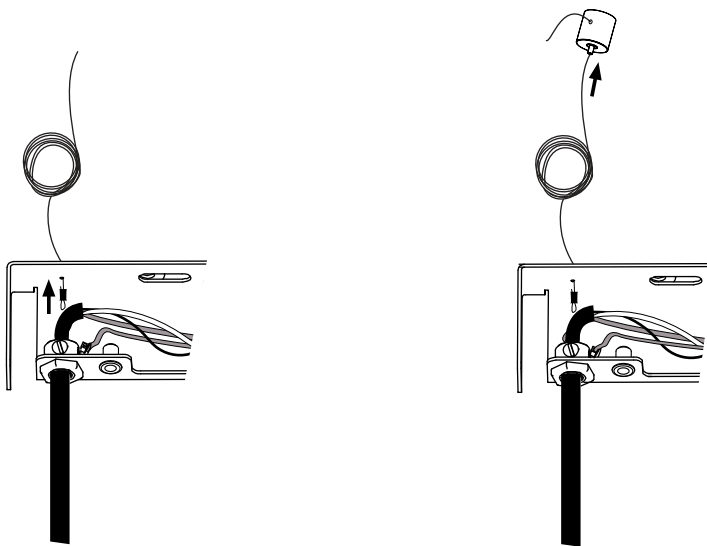


Loosen set screw to adjust wire length. Screw back gently but firmly, when desired wire length is reached.

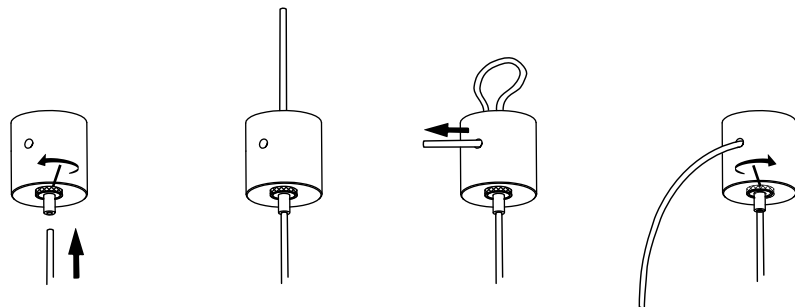


Trim wires to desired length (X). Do not leave a large excess of wires inside the canopy. Reconnect them as before. Do this step before installing luminaire to the ceiling

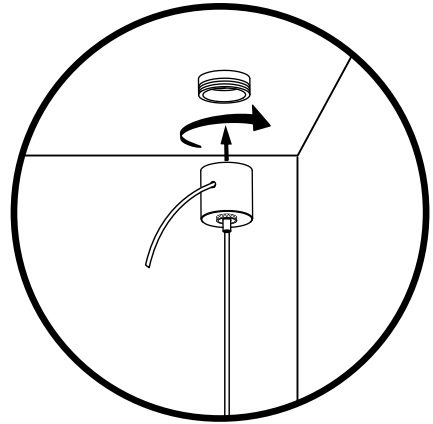
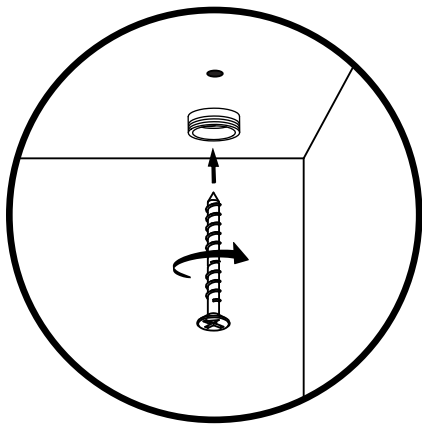
6



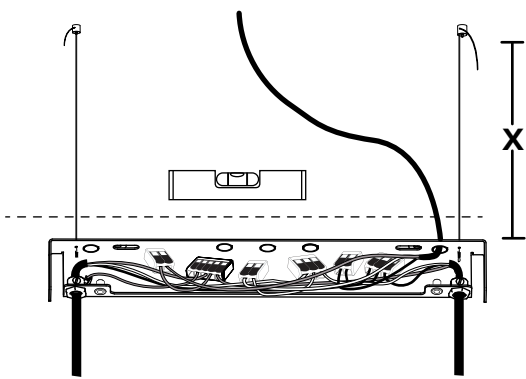
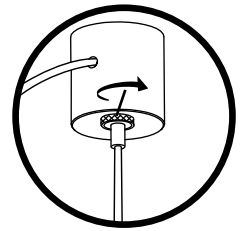
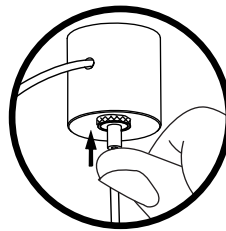
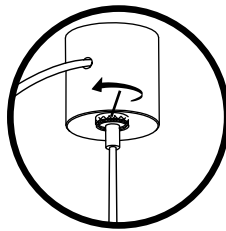
Install cable hangers. Loosen lock ring, pass wire through, then retighten lock ring.



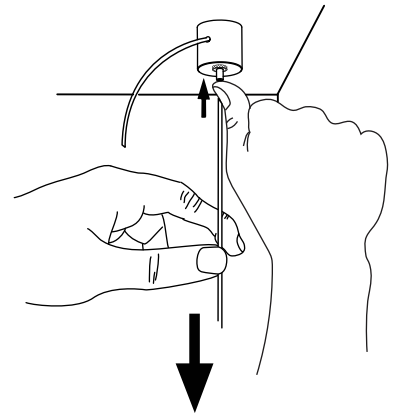
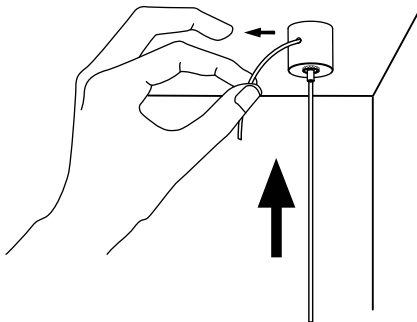
7



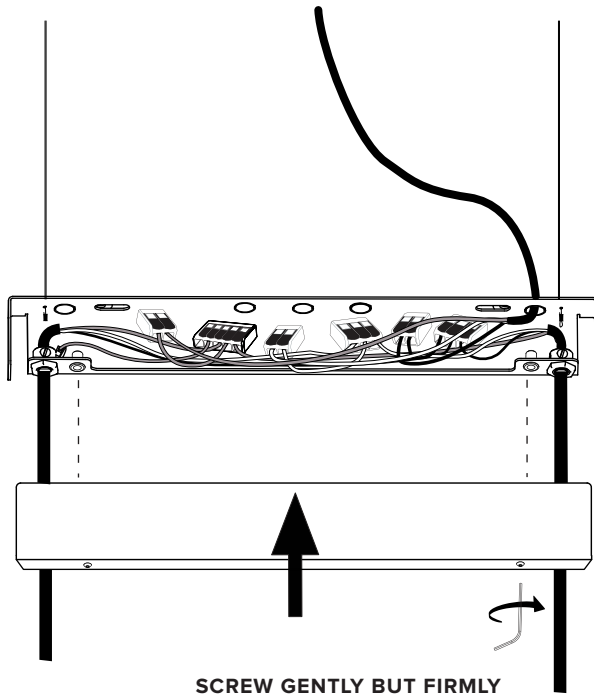
8



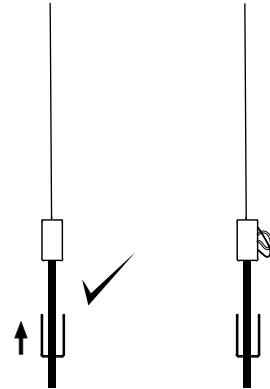
Adjust the height of your cable hangers (X) by lowering or raising the aircraft cable. Loosen lock ring, adjust cables, then retighten lock ring.



9

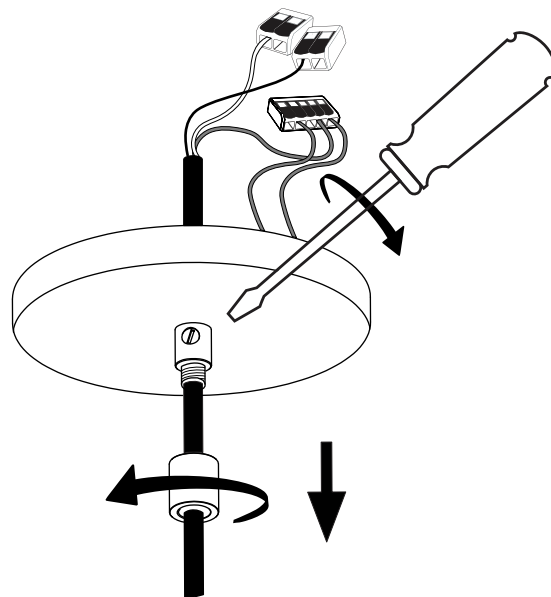


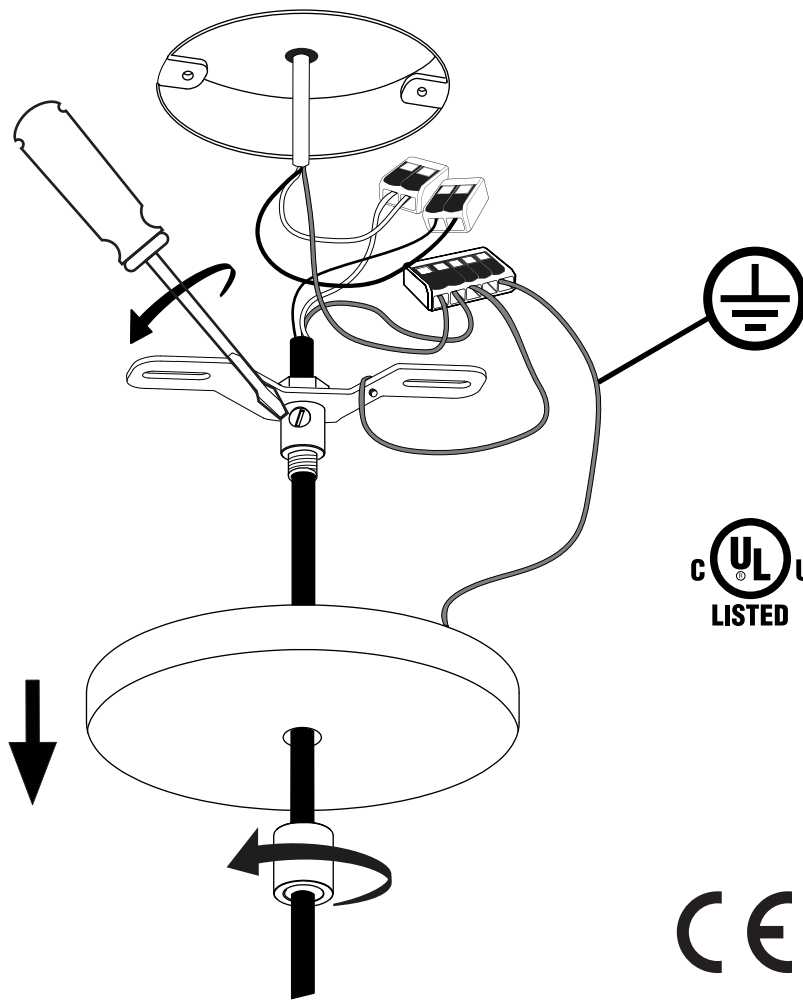
Temporarily install canopy. You may have to readjust later once the shade and globes are installed.



Ensure no wires are clipped or pinched during this operation.

10

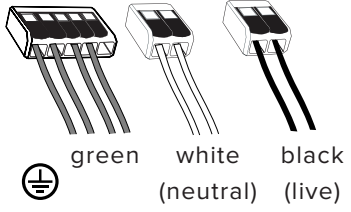




11

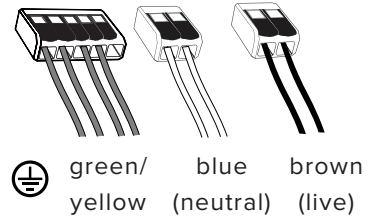
Make connection

UL US LISTED

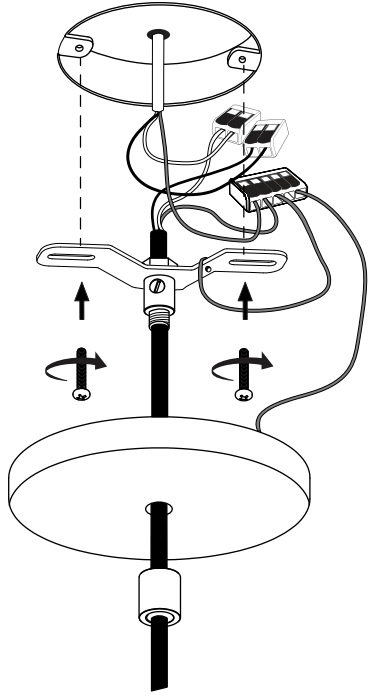


6mm

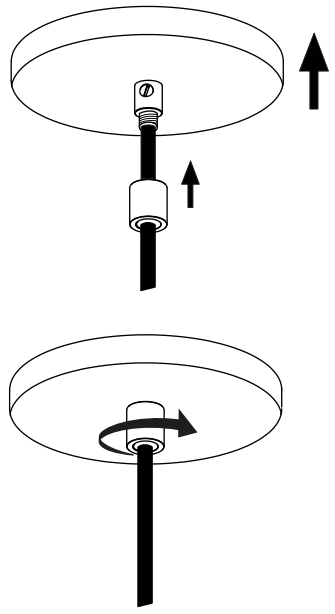
CE



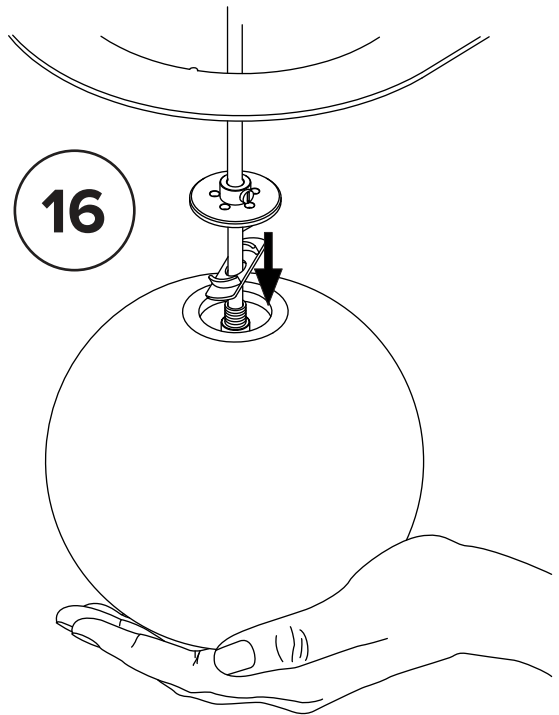
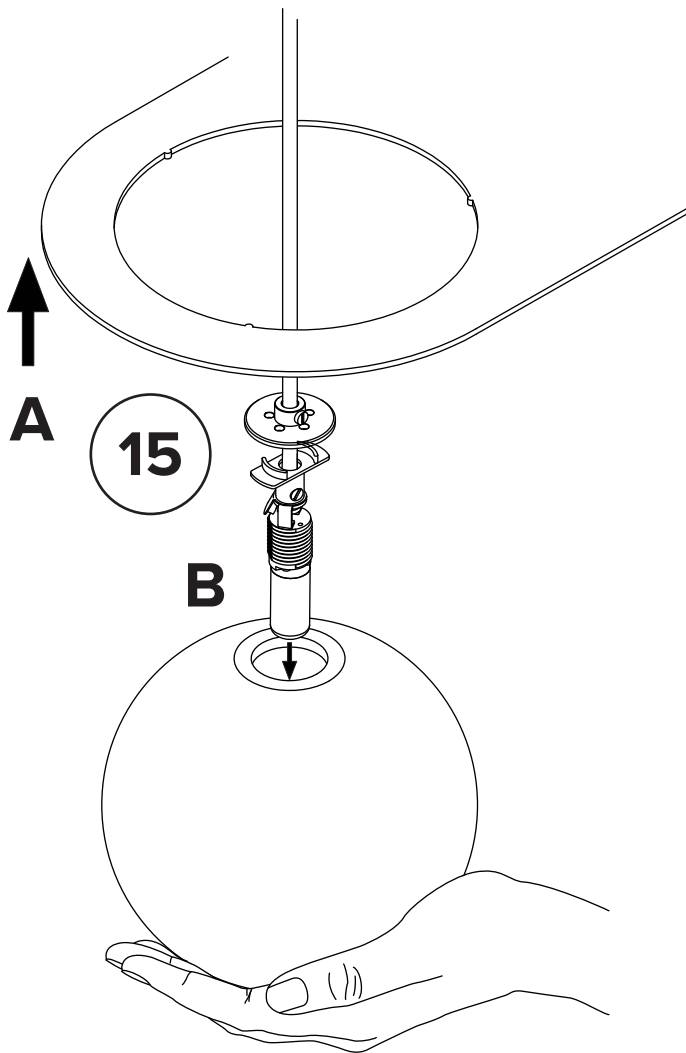
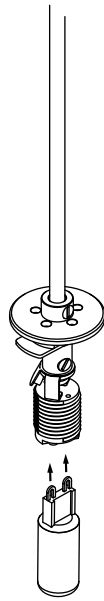
12



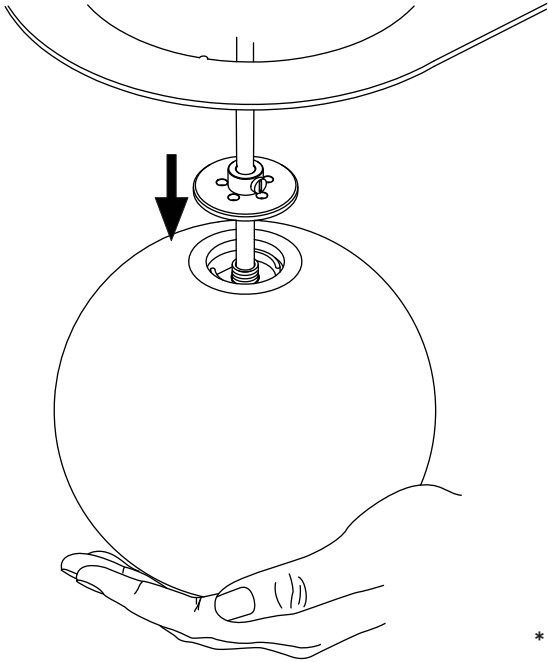
13



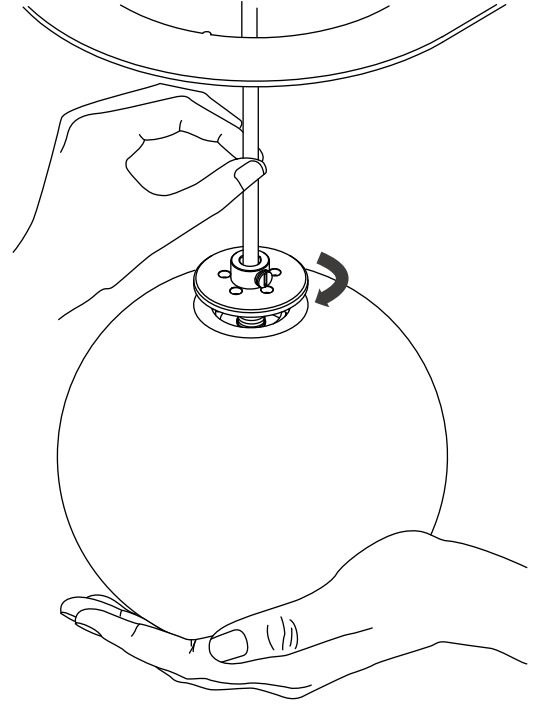
14



17

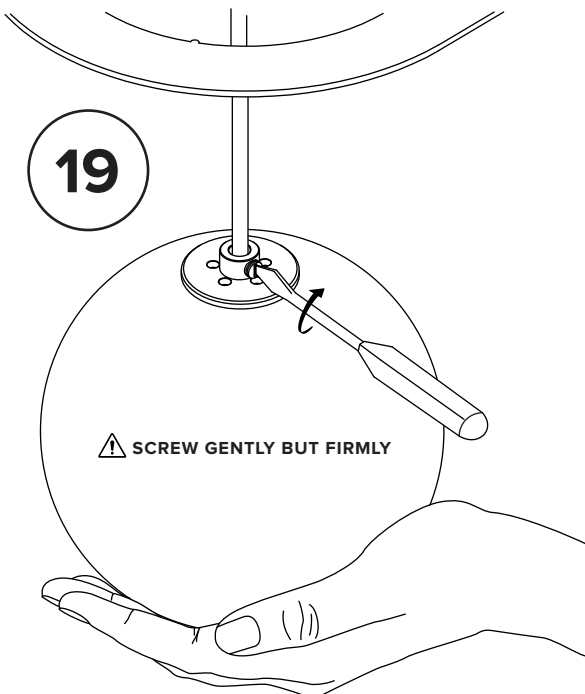


18

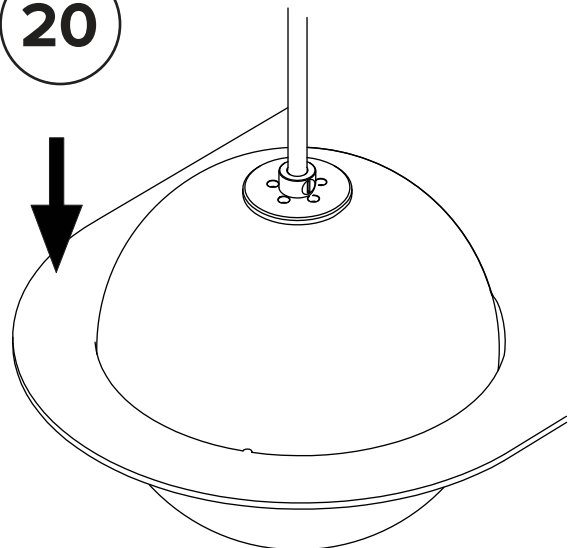


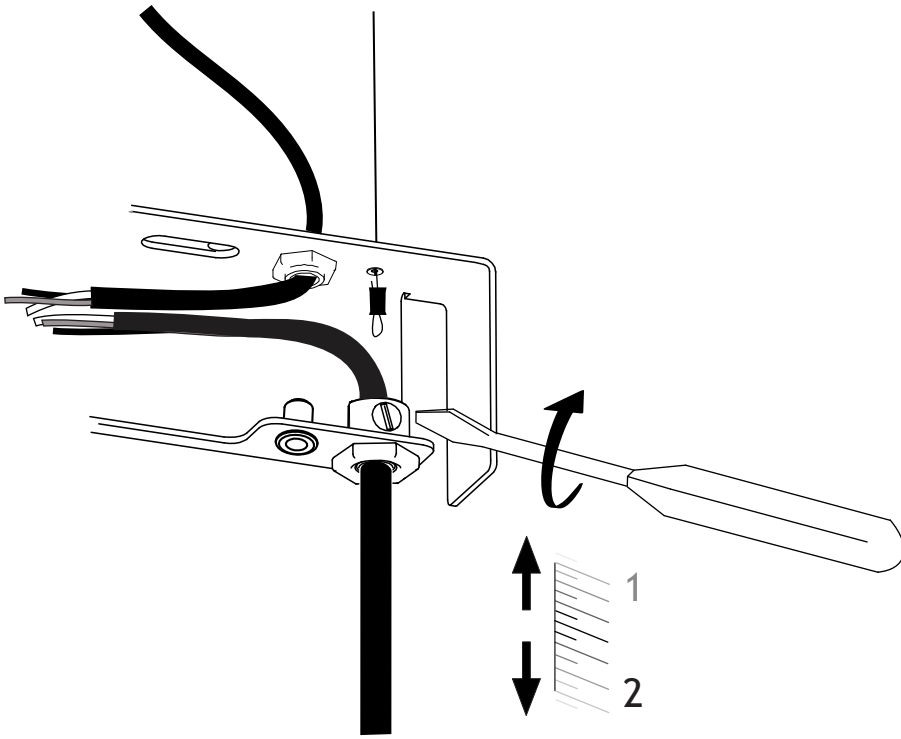
* To ensure safety,
**PLEASE FOLLOW THESE STEPS
CAREFULLY**

19



20

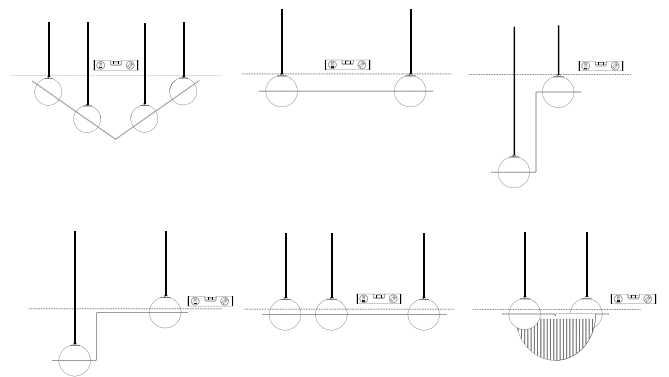
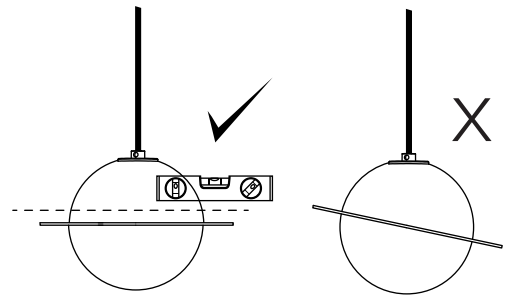
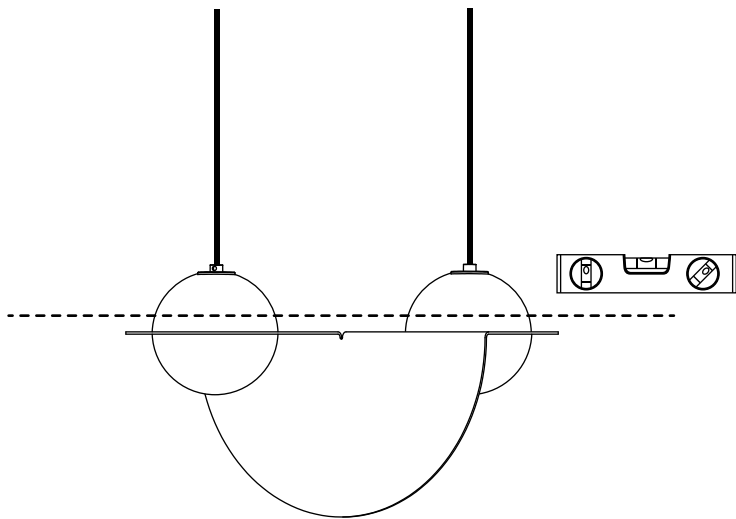




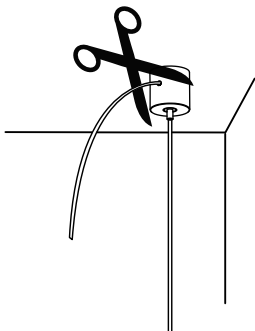
21

Make sure the globes are level by micro-adjusting the wire lengths.

SCREW GENTLY BUT FIRMLY



22



Trim extra cable when desired height and level are achieved.