

# Husk

ARMCHAIRS

2011

Patricia Urquiola



## Description

Comfort and eco-sustainability are the key words for describing the Husk chairs. A collection that is a tribute to softness and an invitation to relax thanks to the generous extra soft cushions with a capitonné design. The hard shell, available in different colours, is made of Hirek®, a special plastic material made up of recycled and recyclable polymers. The cushions come in three versions, with larger sizes on the seat or on the back, or with headrest. The series is completed by the coordinated footrest that makes Husk armchair perfect for every need.

## Technical information

**Shell**

plastic material Hirek®

**Shell upholstery**

polyester fibre, cotton cover

**Seat support**

shaped polyurethane, non-slip fabric

**Swivel base-frame (H1G-H2G-H3G-H4G)**

die-cast aluminium, steel profiles, hard polyurethane or solid wood

**Base-frame (HP4)**

steel profiles, hard polyurethane or solid wood

**Base-frame (H1M-H2M-H3M-H4M-HP4M)**

aluminium die-cast and profiles

**Ferrules**

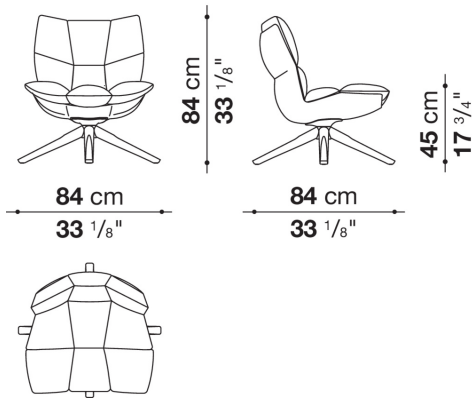
plastic material

**Cover**

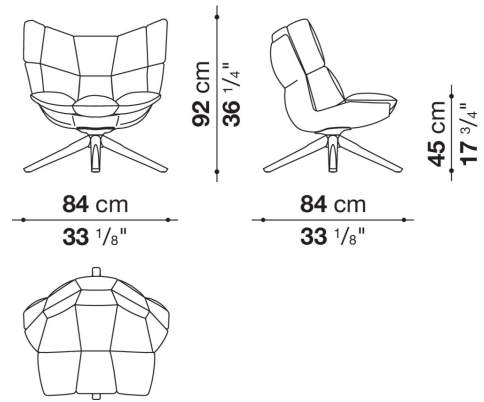
fabric or leather

# Technical drawings

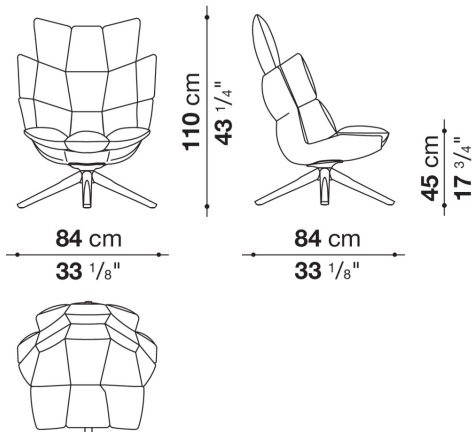
## H1G



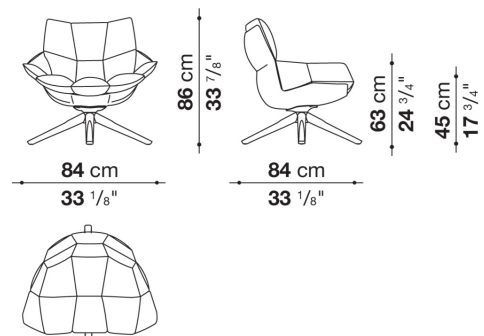
## H2G



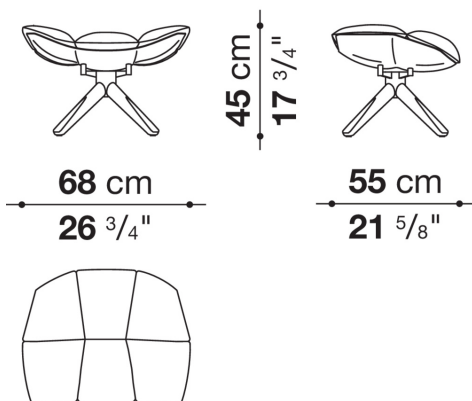
## H3G



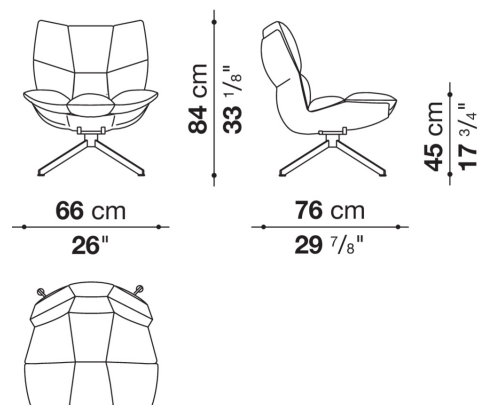
## H4G



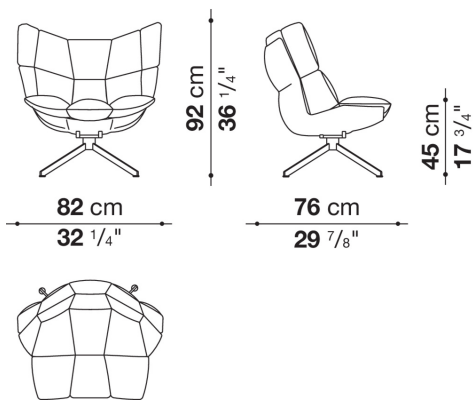
## HP4



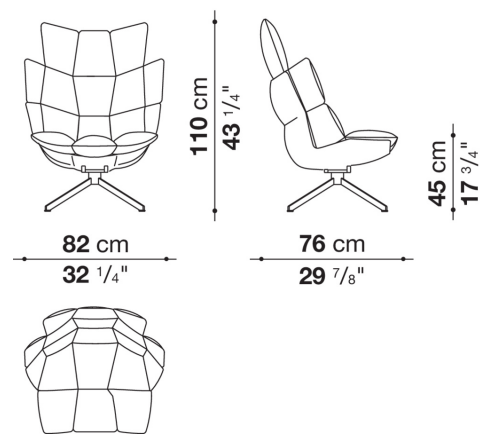
## H1M



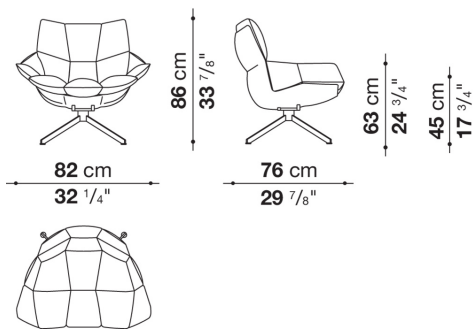
## H2M



## H3M



## H4M



## HP4M

