

---

# Bend-Sofa

SOFAS

2010

Patricia Urquiola



## Description

---

Bend-Sofa is a modular sofa with a great personality. It seems to have been moulded by an artist's hand, but actually originates from the study of 3D models and digital research. Its irregular shape enhances comfort. The very name Bend-Sofa effectively expresses the idea of movement obtained by the alternation of solids and voids, underlined by the contrasting stitching that gives rise to a further design on its irregular and sinuous surface. The corrugated modules, assembled starting from seat, ottoman and corner elements, develop a large number of configurations, from linear versions in compact dimensions to large compositions, as well as original and alternative solutions that stand outside traditional canons.

## Technical information

---

**Internal frame**

tubular steel and steel profiles

**Internal frame upholstery**

Bayfit® flexible cold shaped polyurethane foam, polyester fibre cover

**Back cushion (B40C-B55C)**

down feather and polyurethane insert, box style typology, zig zag stitching

**Support (BS-BSB)**

visco-elastic polyurethane, polyester and cotton fibre cover

**Feet**

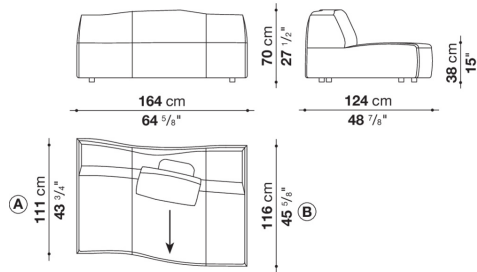
thermoplastic material

**Cover**

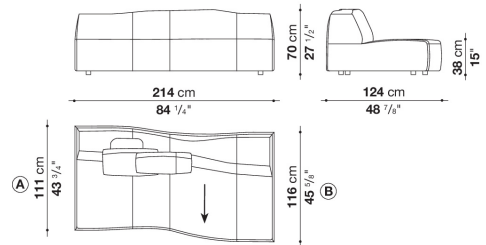
fabric or leather (zig zag stitching)

# Technical drawings

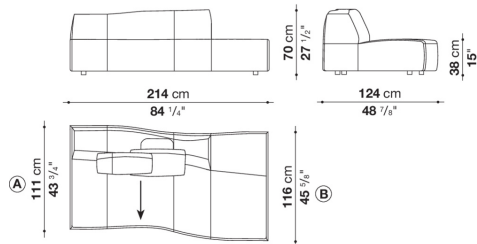
**B164C**



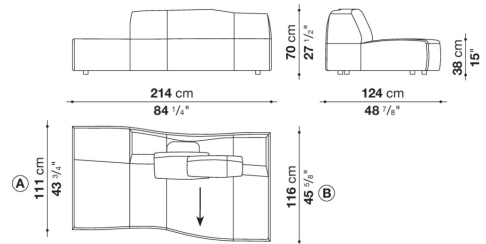
**B214C**



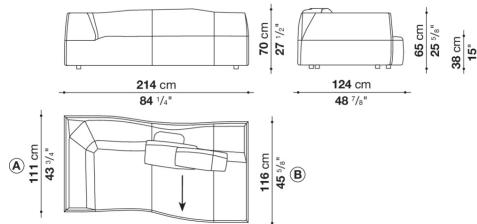
**B214CS**



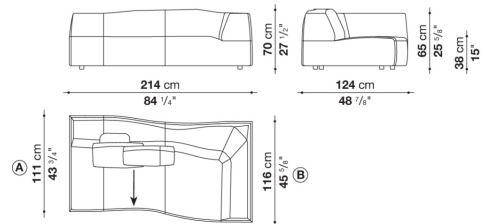
**B214CD**



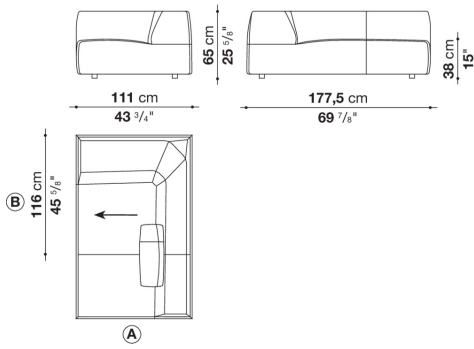
**B214TS**



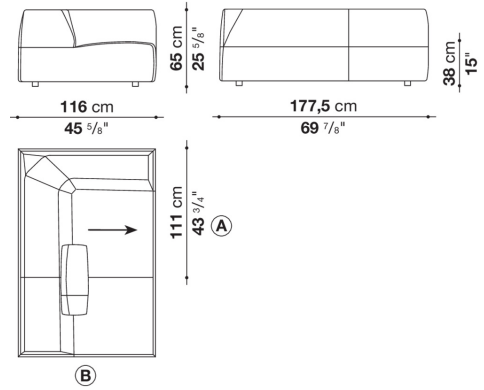
**B214TD**



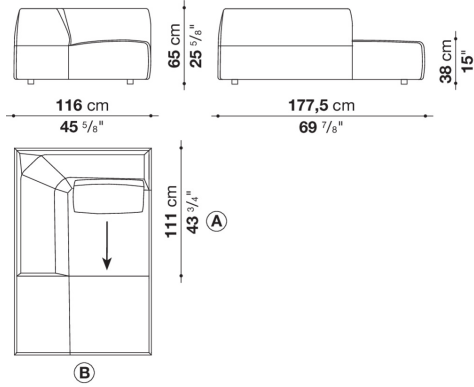
**B111A**



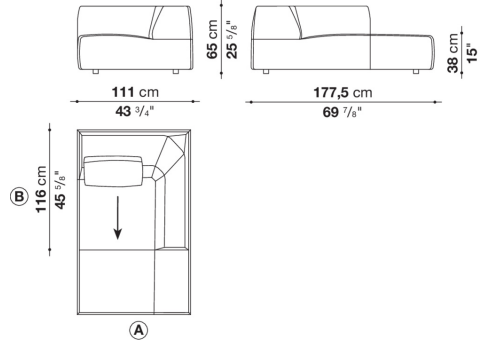
**B116A**



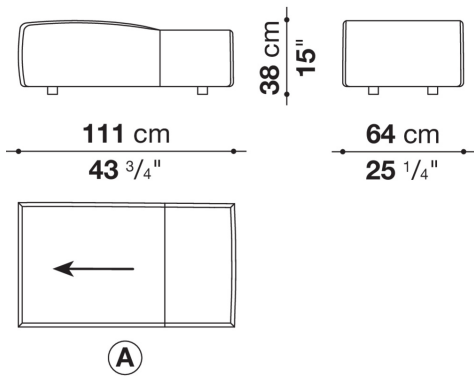
**B177LS**



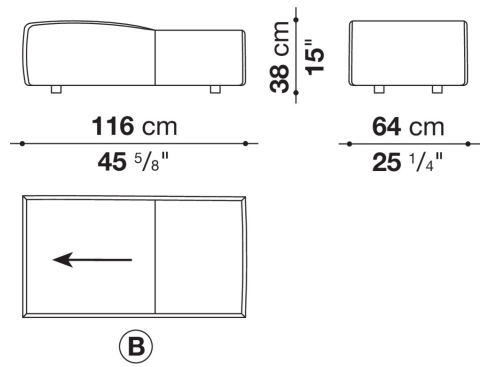
**B177LD**



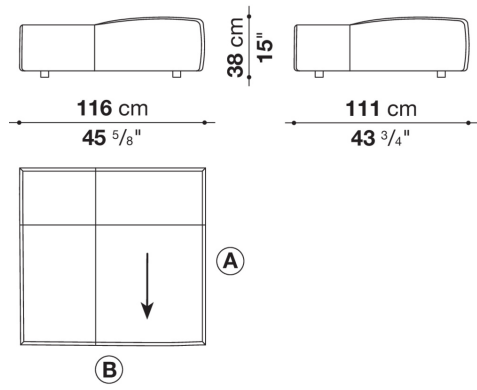
**B111P**



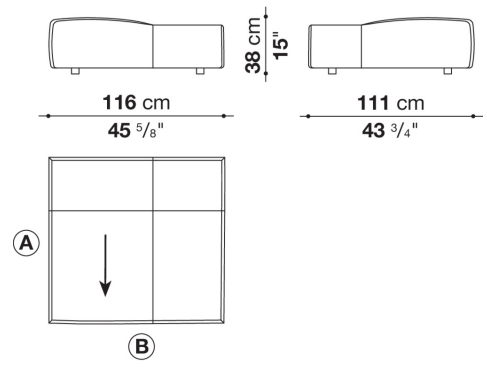
**B116P**



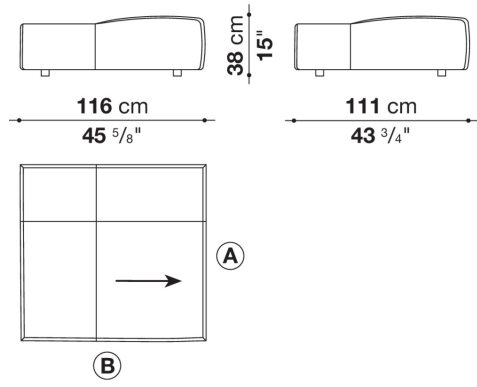
### B1P



### B2P



### B3P



### B4P

