

Halloween Cards

Paper Circuits Projects



BROWN DOG *Gadgets*

BrownDogGadgets.com

Halloween Cards

Paper Circuits Projects

Each of the cards in this eBook can be made with our Paper Circuits Kit, or using Maker Tape, your own CR2032 batteries, and 10mm Jumbo LEDs. We've included ready-to-make full color versions as well as black & white versions that can be colored by hand. Print each card as a two sided print and then cut them out with scissors. Additional projects, videos, paper crafting guides, eBooks, and educational resources can be found at BrownDogGadgets.com



Cat

Color: Pages 3-4
Black & White: Pages 5-6
Time Required: 5-20 minutes



Ghost

Color: Pages 7-8
Black & White: Pages 9-10
Time Required: 5-20 minutes



Pumpkin

Color: Pages 11-12
Black & White: Pages 13-14
Time Required: 5-20 minutes



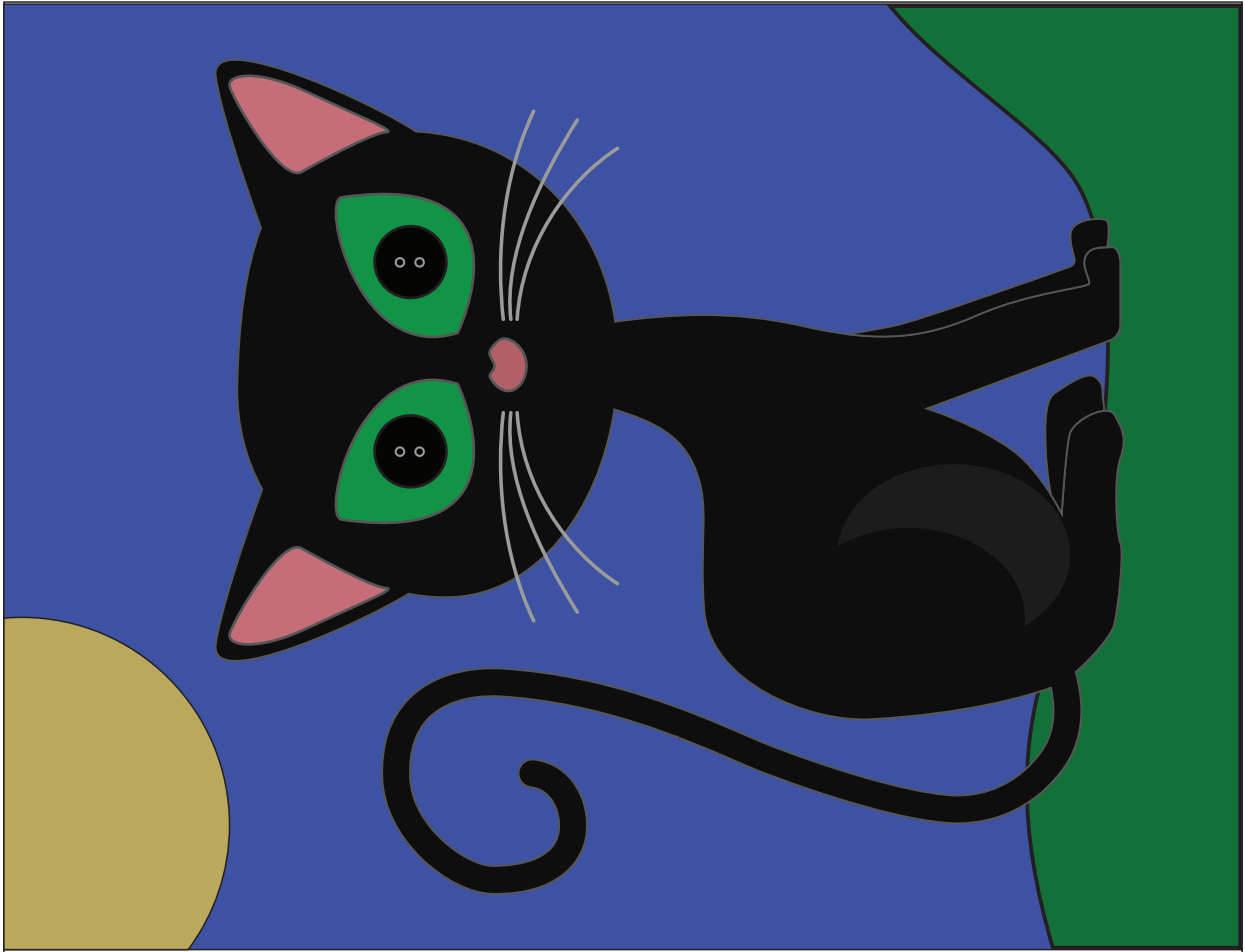
Skull

Color: Pages 15-16
Black & White: Pages 17-18
Time Required: 5-20 minutes



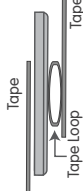
Witch

Color: Pages 19-20
Black & White: Pages 21-22
Time Required: 5-20 minutes

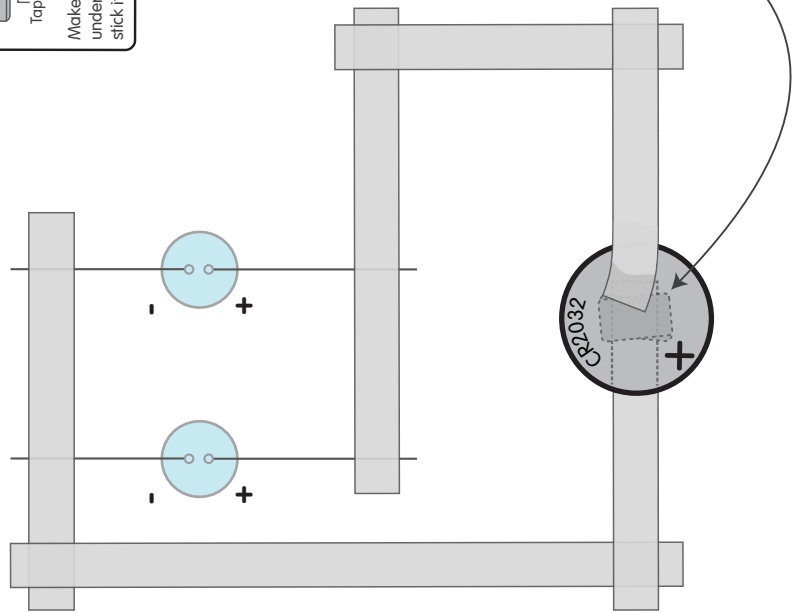


 For more free templates & fun project ideas visit us at BrownDogGadgets.com

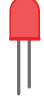
The Tape Loop

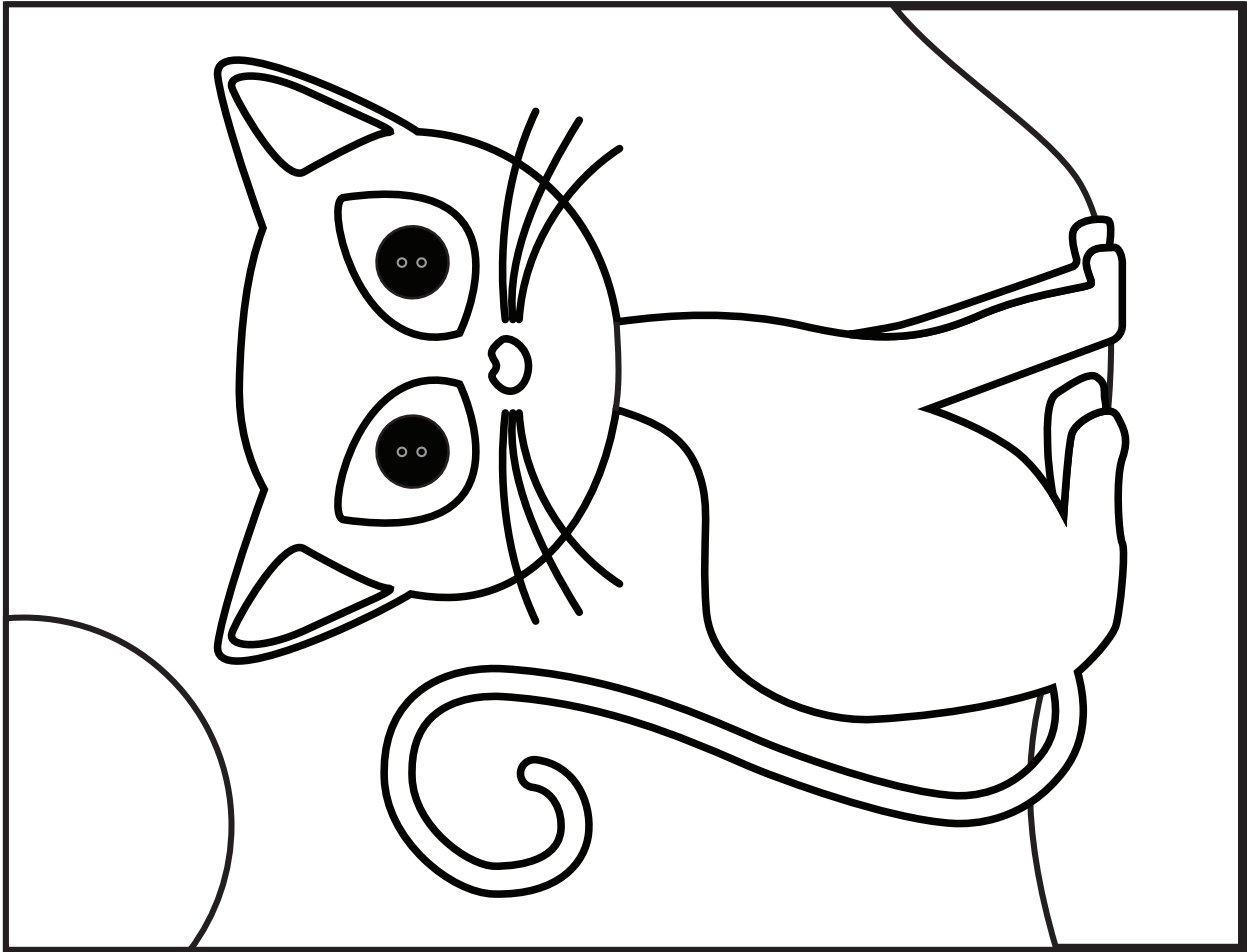


Make a small tape loop underneath the battery to stick it down to the tape.



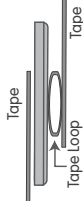
For more free templates & fun project ideas visit us at BrownDogGadgets.com



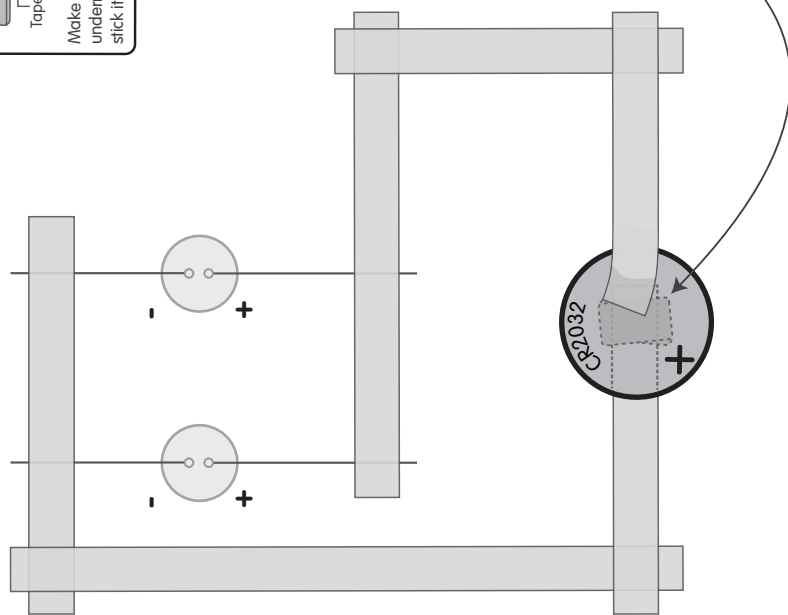


 For more free templates & fun project ideas visit us at BrownDogGadgets.com

The Tape Loop

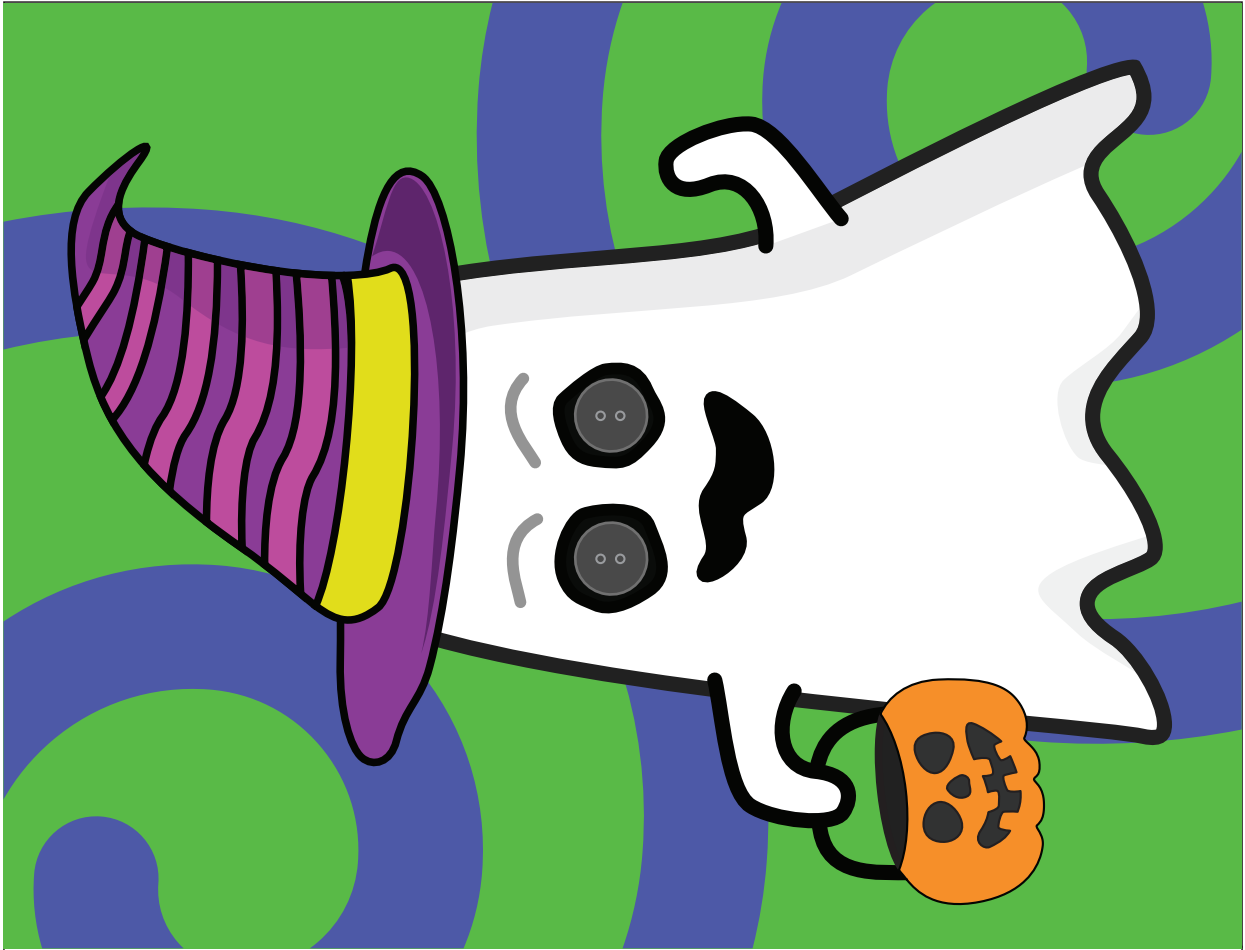


Make a small tape loop underneath the battery to stick it down to the tape.



For more free templates & fun project ideas visit us at BrownDogGadgets.com






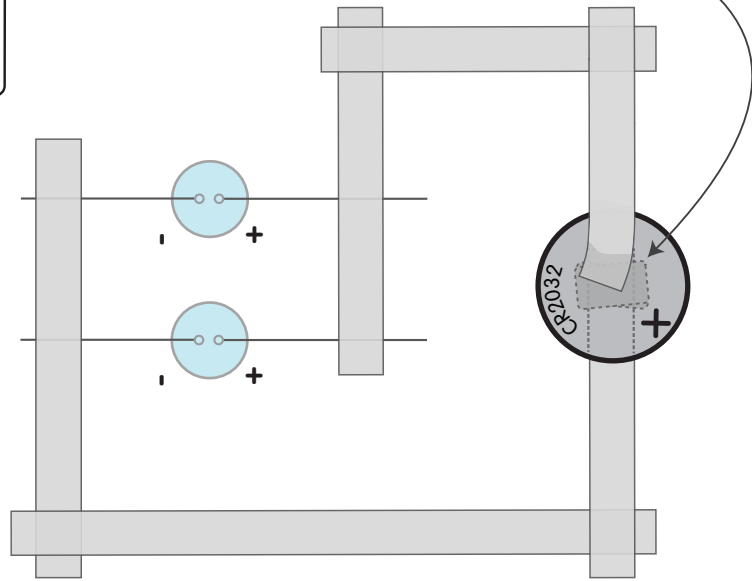
 For more free templates & fun project ideas visit us at BrownDogGadgets.com



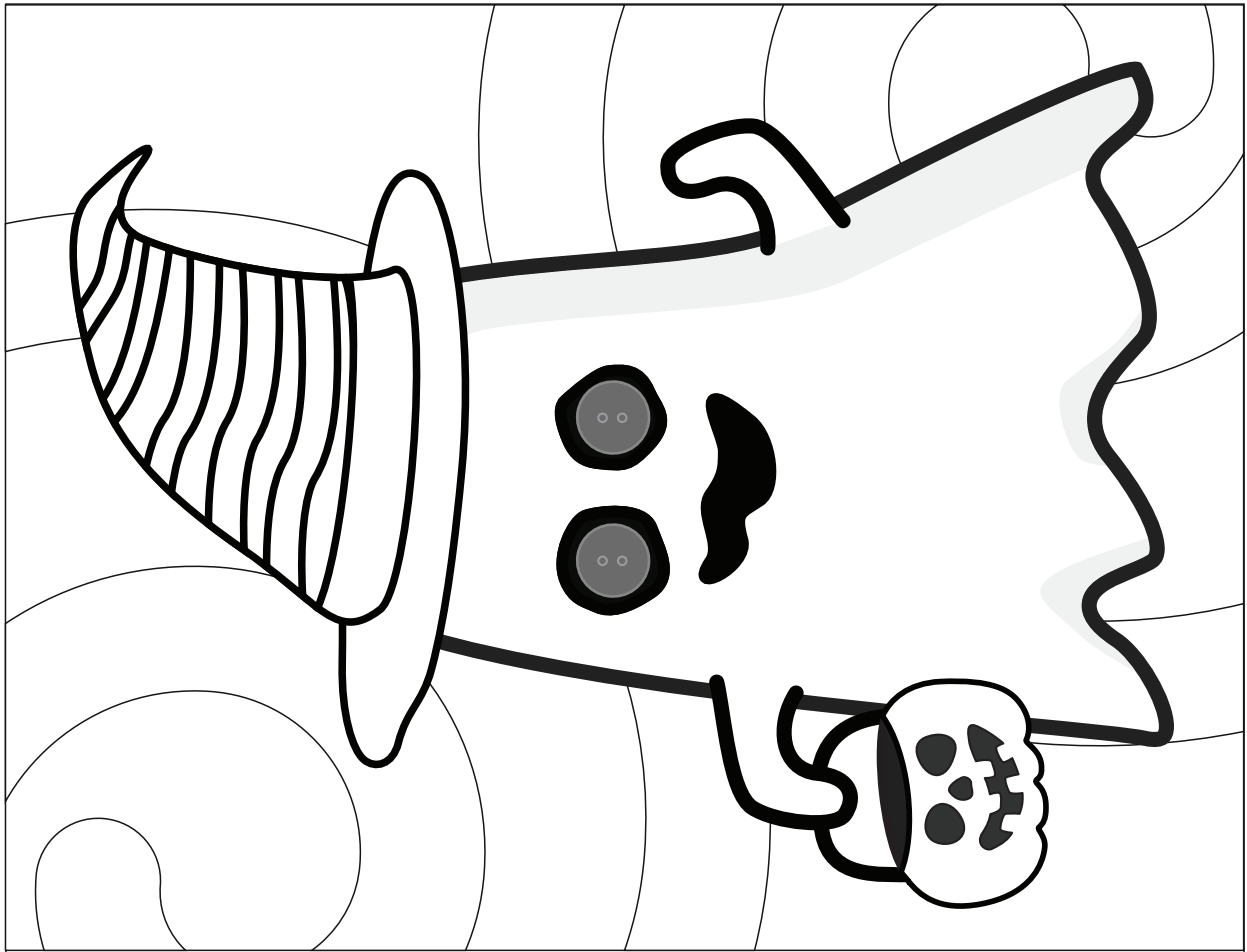
The Tape Loop



Make a small tape loop underneath the battery to stick it down to the tape.



 For more free templates & fun project ideas visit us at BrownDogGadgets.com

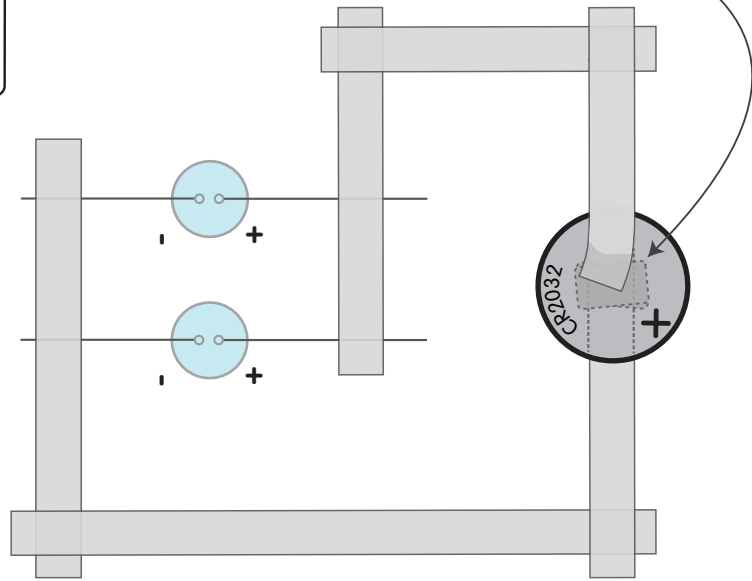


 For more free templates & fun project ideas visit us at BrownDogGadgets.com

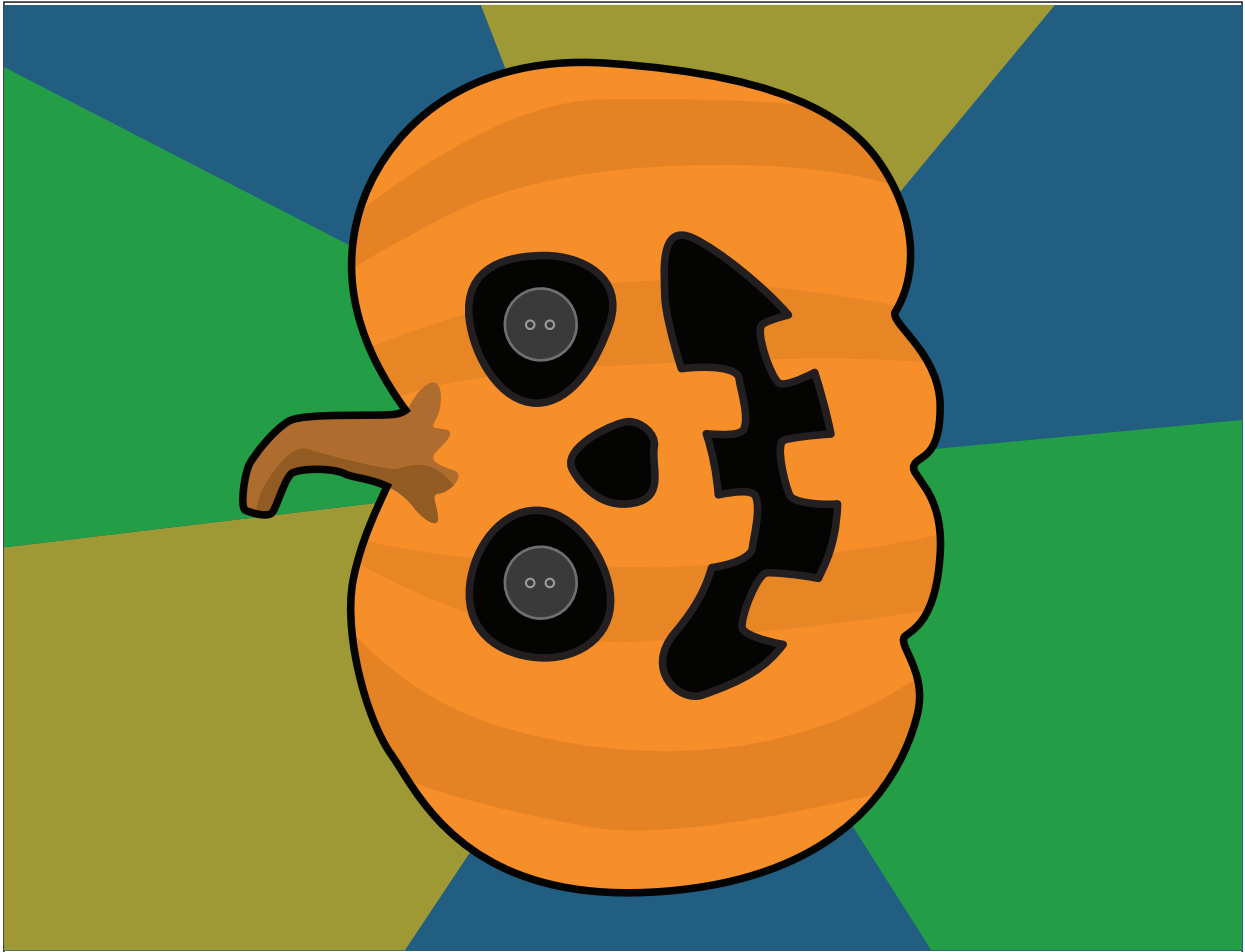


The Tape Loop

Make a small tape loop underneath the battery to stick it down to the tape.

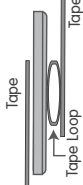


 For more free templates & fun project ideas visit us at BrownDogGadgets.com

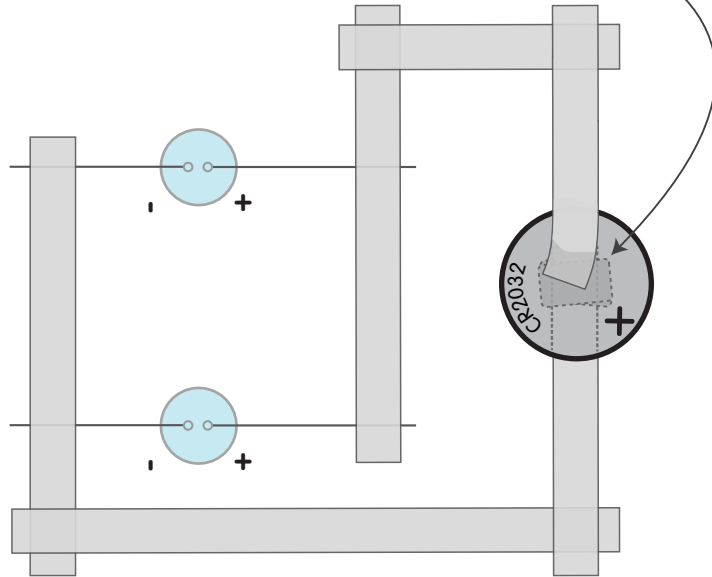


 For more free templates & fun project ideas visit us at BrownDogGadgets.com

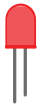
The Tape Loop

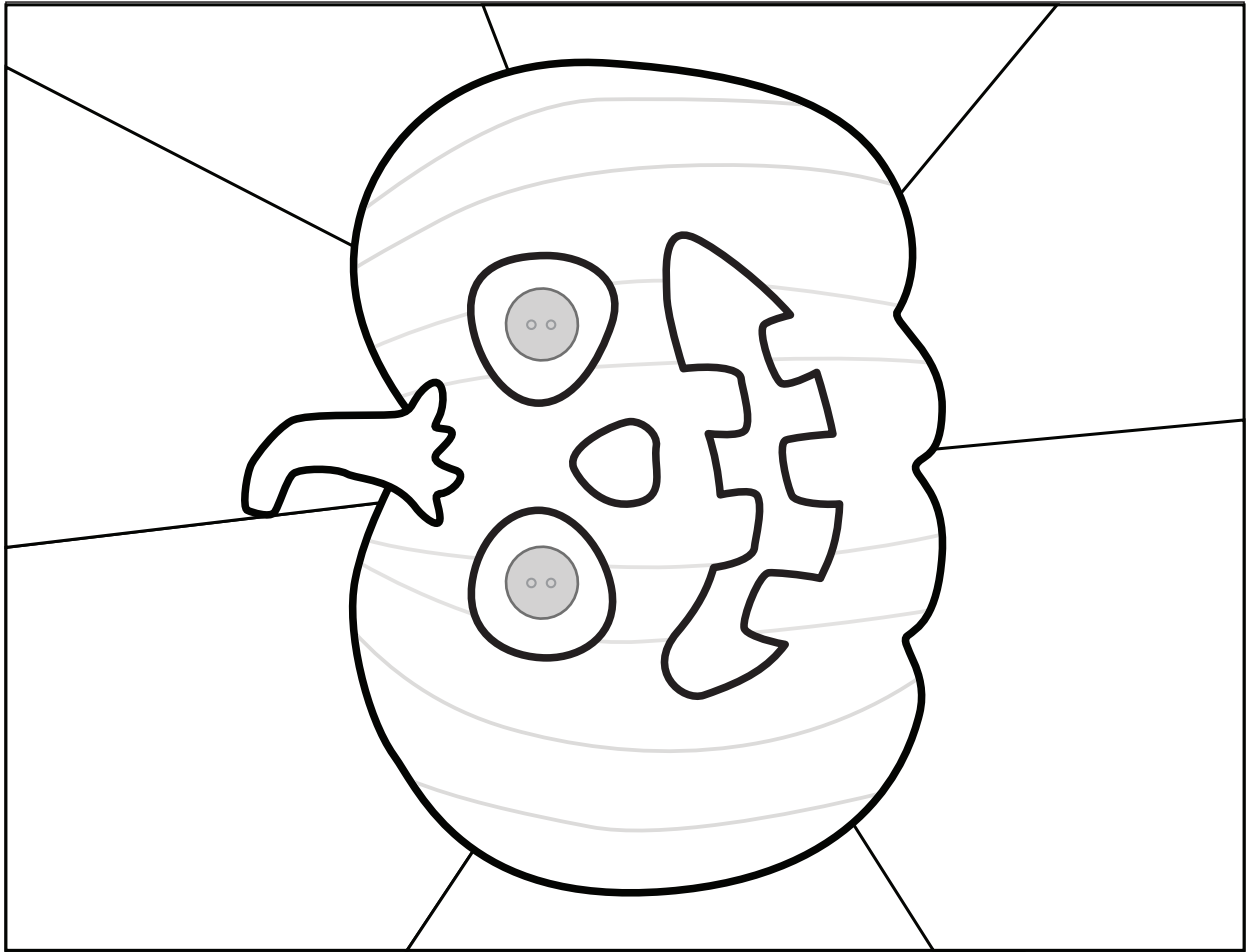


Make a small tape loop underneath the battery to stick it down to the tape.



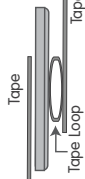
For more free templates & fun project ideas visit us at BrownDogGadgets.com



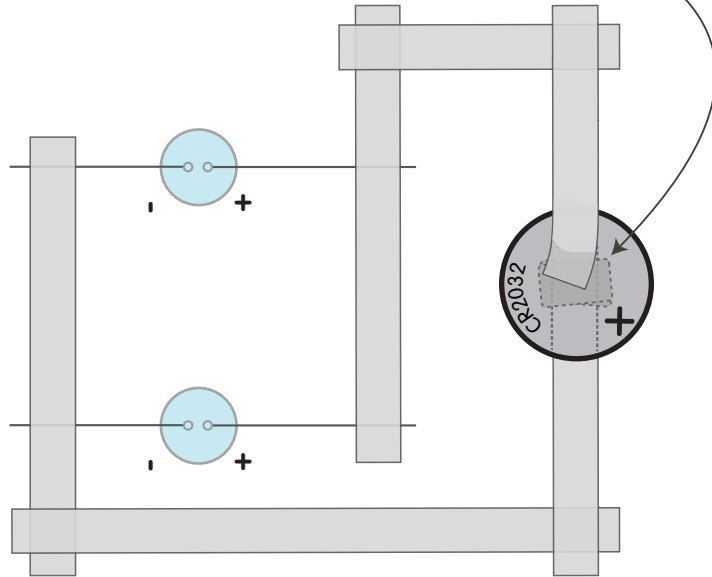


 For more free templates & fun project ideas visit us at BrownDogGadgets.com

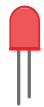
The Tape Loop

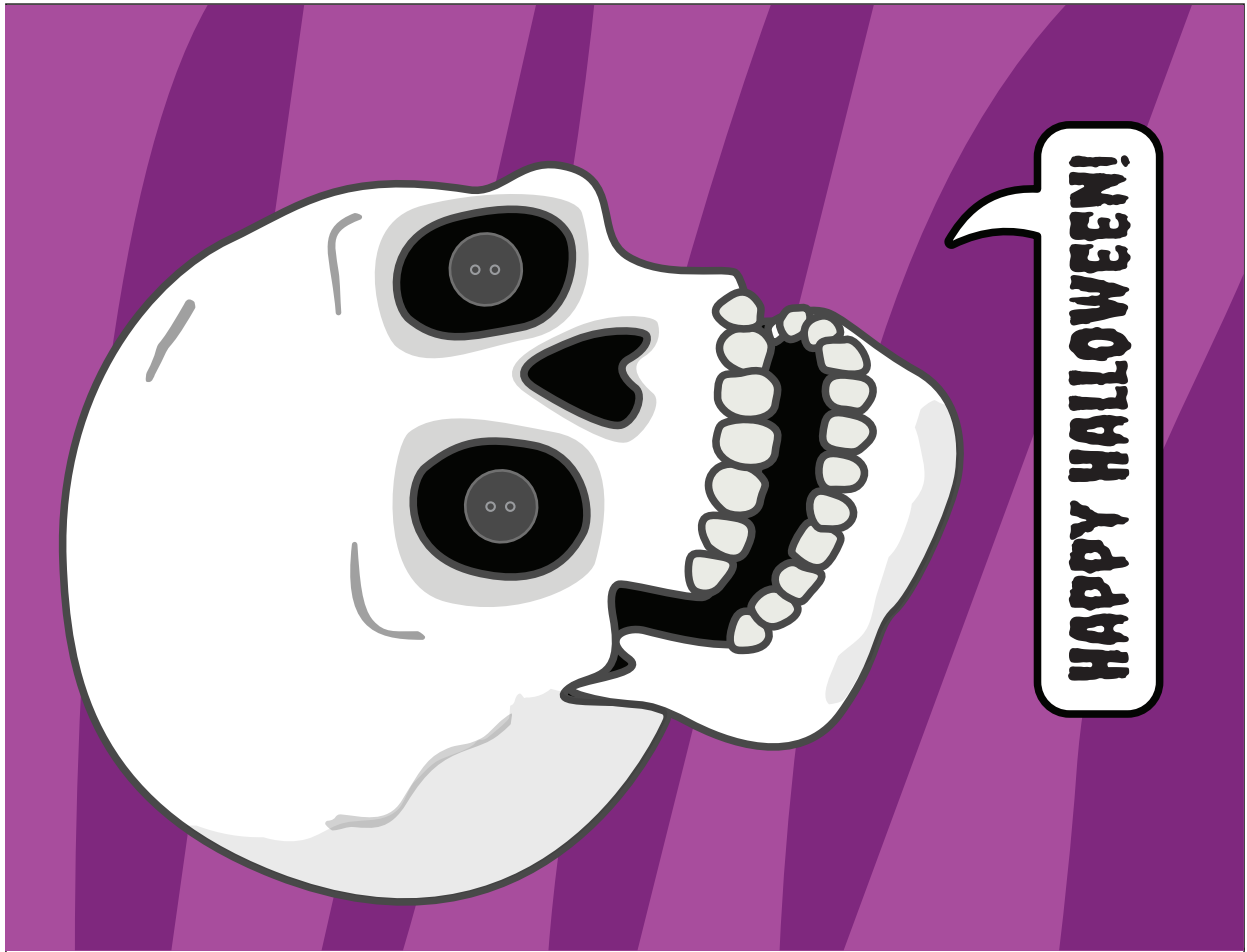


Make a small tape loop underneath the battery to stick it down to the tape.



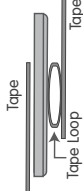
For more free templates & fun project ideas visit us at BrownDogGadgets.com



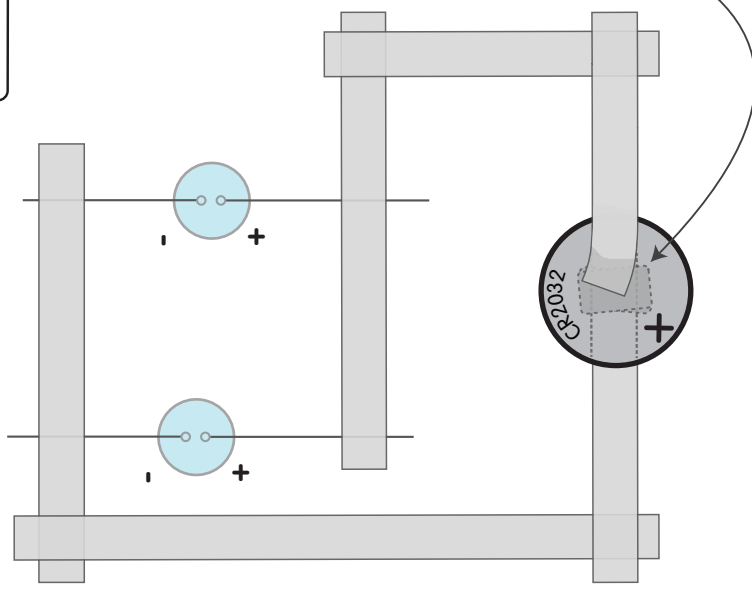


 For more free templates & fun project ideas visit us at BrownDogGadgets.com

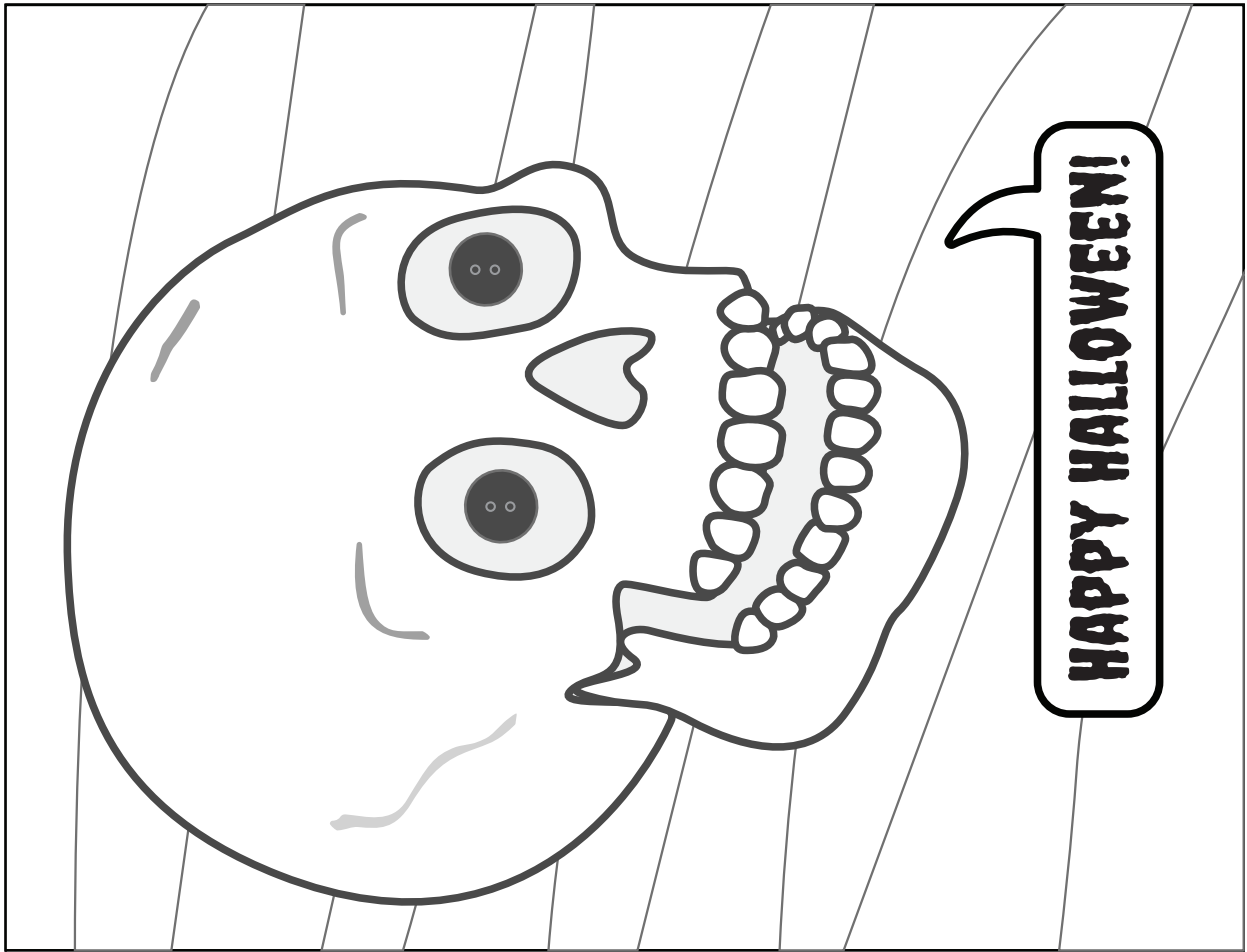
The Tape Loop



Make a small tape loop underneath the battery to stick it down to the tape.

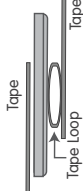


For more free templates & fun project ideas visit us at BrownDogGadgets.com

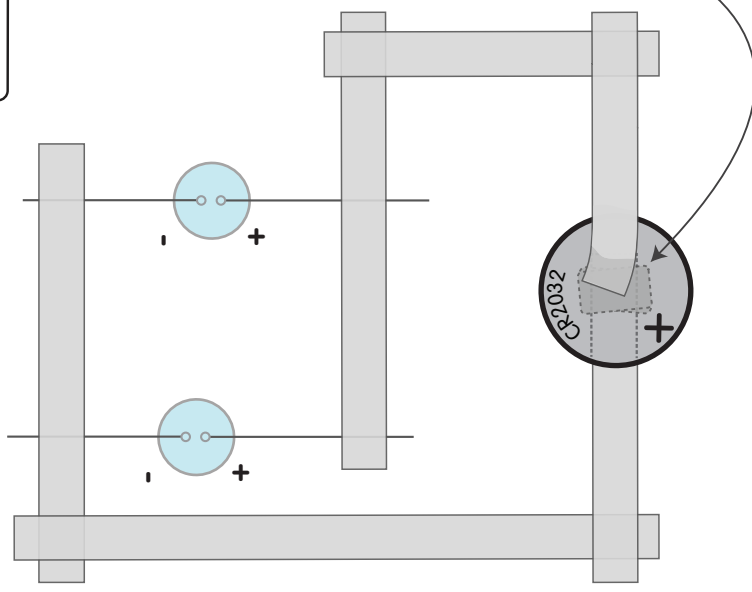


 For more free templates & fun project ideas visit us at BrownDogGadgets.com

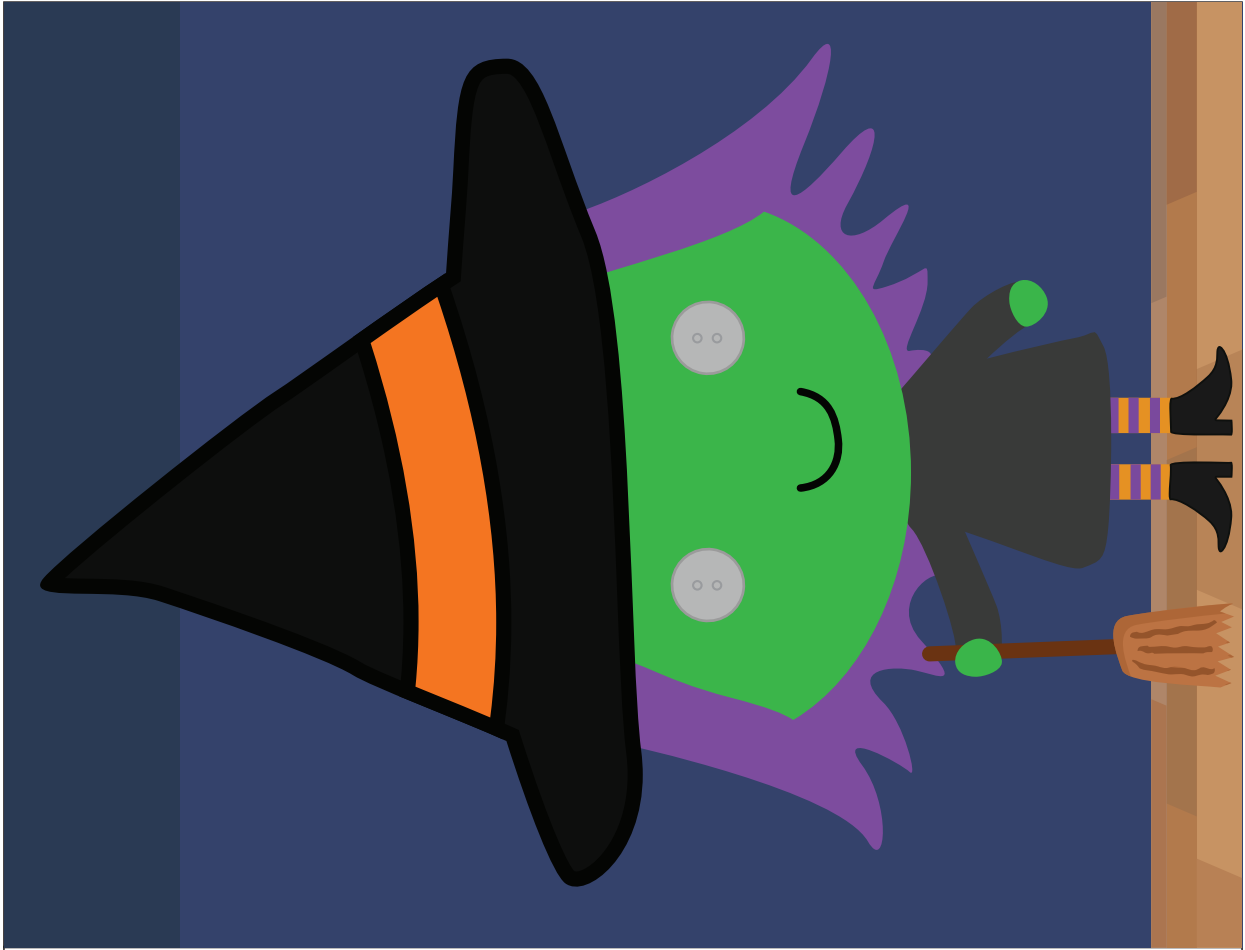
The Tape Loop



Make a small tape loop underneath the battery to stick it down to the tape.



For more free templates & fun project ideas visit us at BrownDogGadgets.com

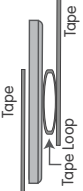


 For more free templates & fun project ideas visit us at BrownDogGadgets.com

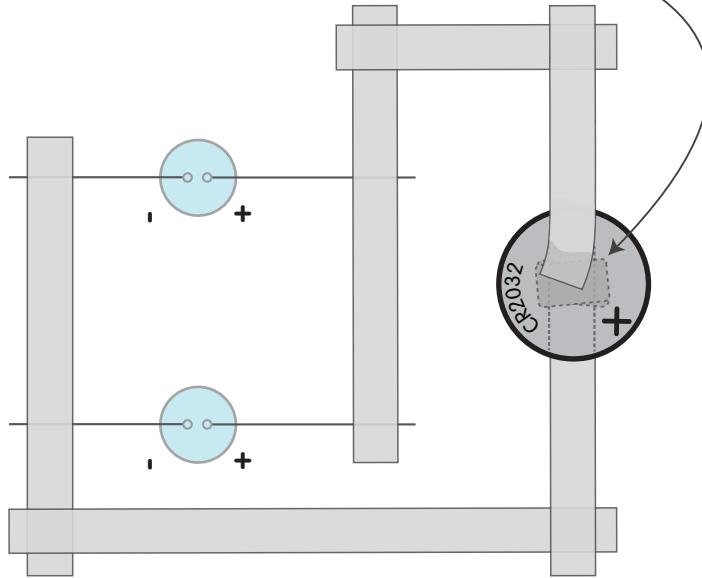


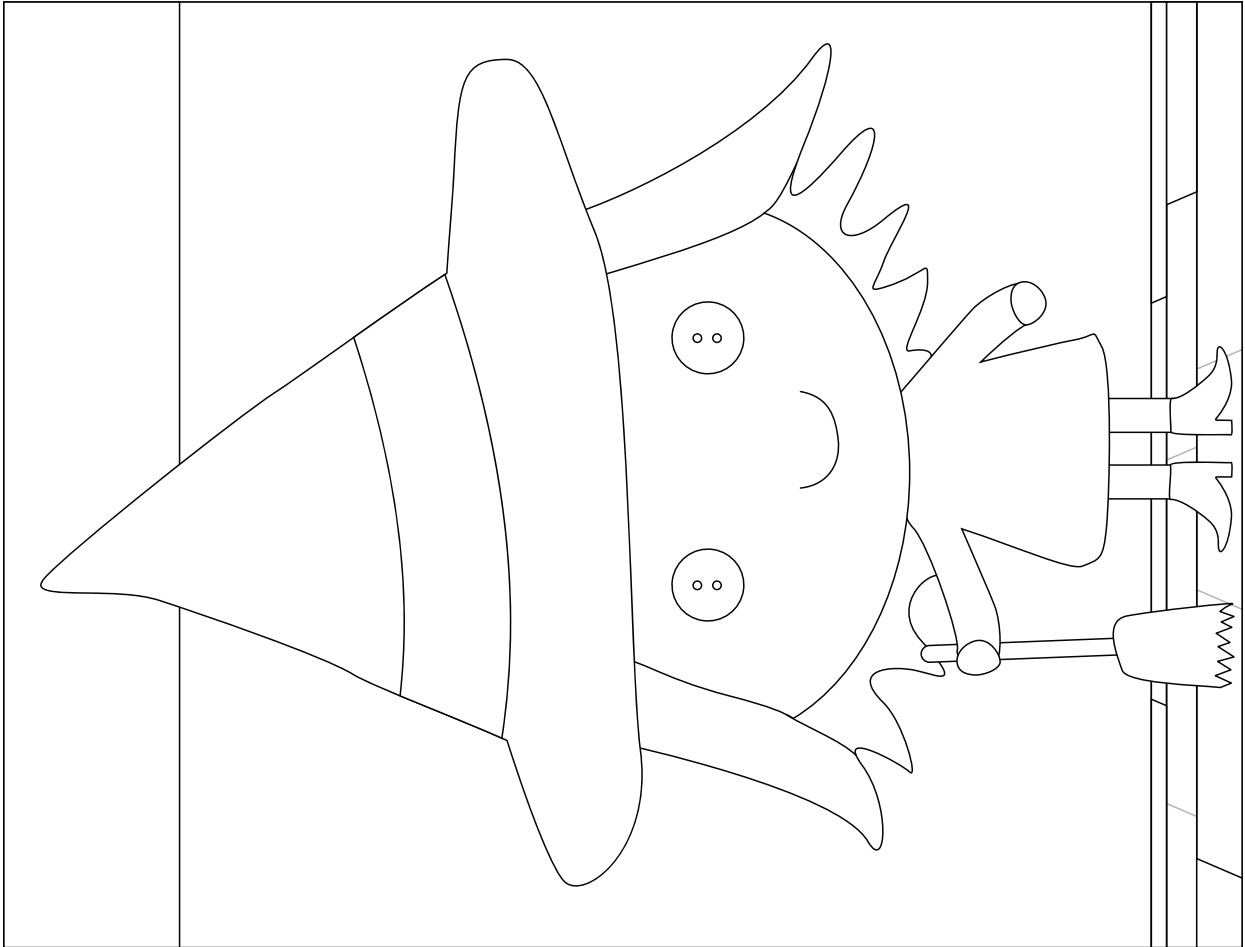
For more free templates & fun project ideas visit us at BrownDogGadgets.com

The Tape Loop



Make a small tape loop underneath the battery to stick it down to the tape.



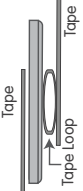


 For more free templates & fun project ideas visit us at BrownDogGadgets.com

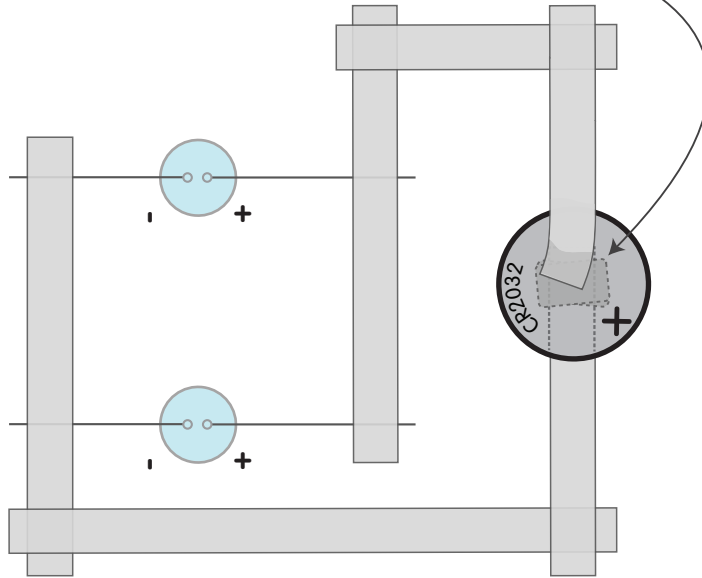


For more free templates & fun project ideas visit us at BrownDogGadgets.com

The Tape Loop



Make a small tape loop underneath the battery to stick it down to the tape.





BROWN DOG *Gadgets*

Learn, Create, and Inspire—Even on a Budget

Creating a project from scratch can be difficult for the casual builder. Finding the right directions, the right parts, and the right tools—all at the right price—can be a major hurdle.

At Brown Dog Gadgets, we've created kits and projects for creators of all ages and budgets. Follow our step-by-step project directions and learn more with our classroom resources or find individual parts to dream up your own creations. No matter how or what you create, our products can help you learn the basics of electronics, circuitry, and solar energy.

Find additional eBooks, crafting guides, videos, directions, and educational resources at BrownDogGadgets.com. Contact us for educational discounts and free professional development classes.

help@browndoggadgets.com • 262-788-9223

BrownDogGadgets.com

