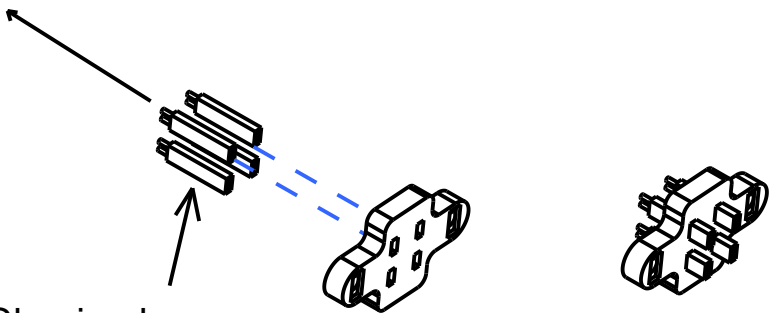
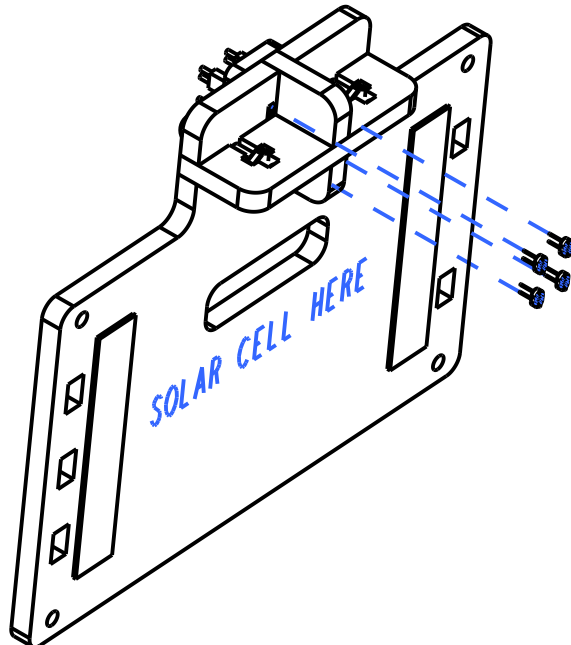
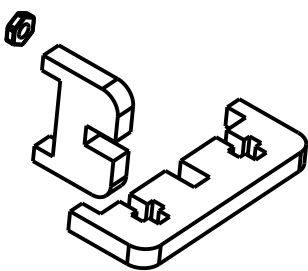
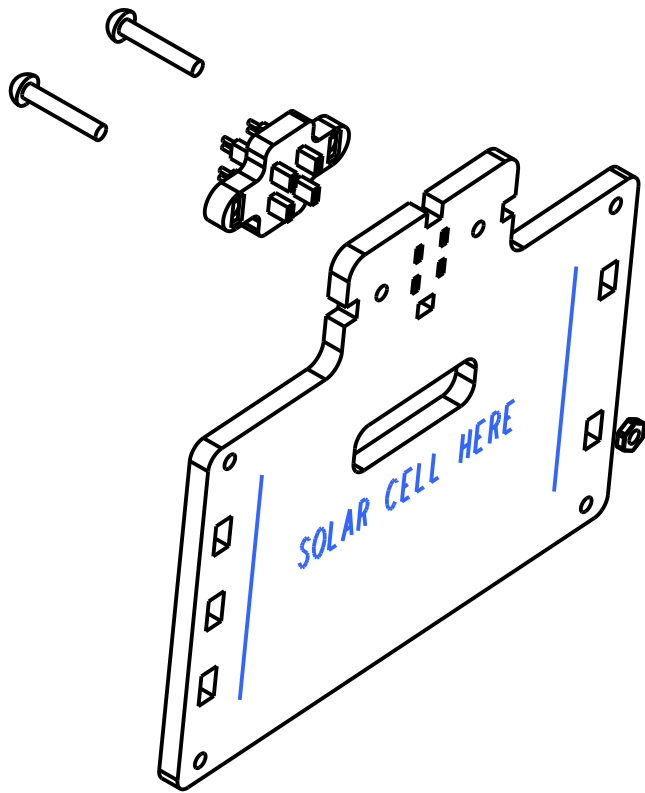
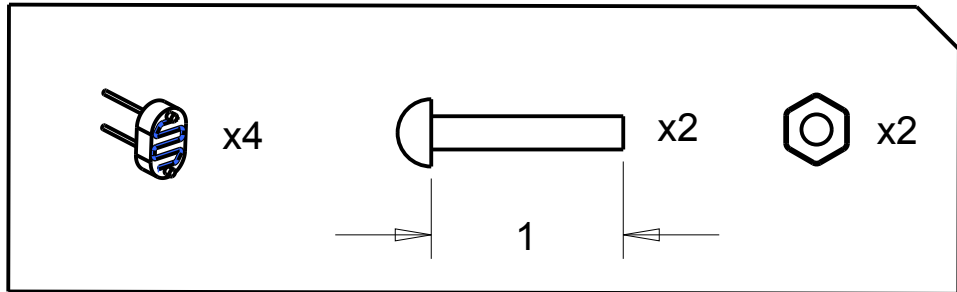
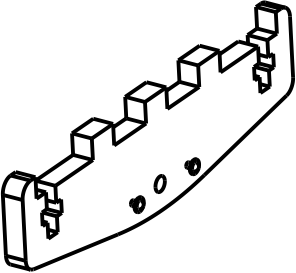
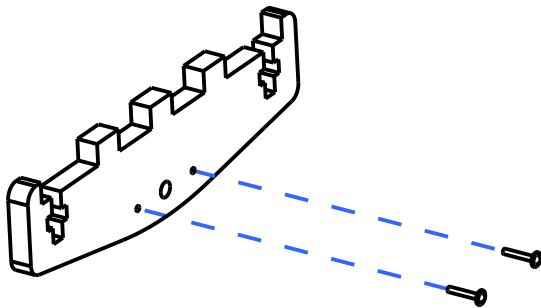
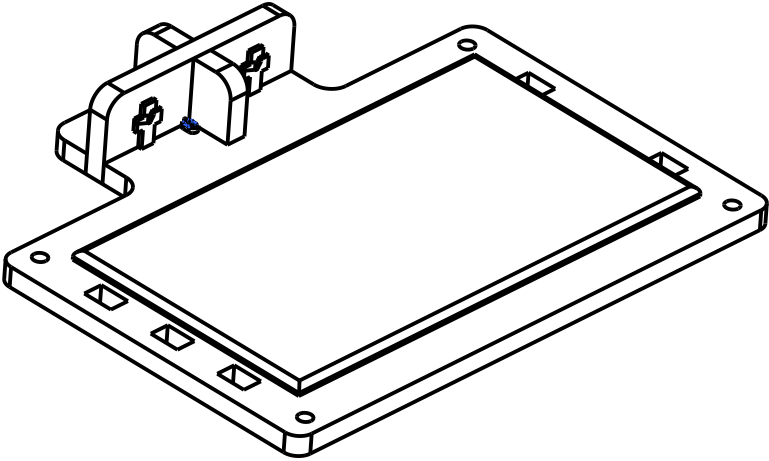
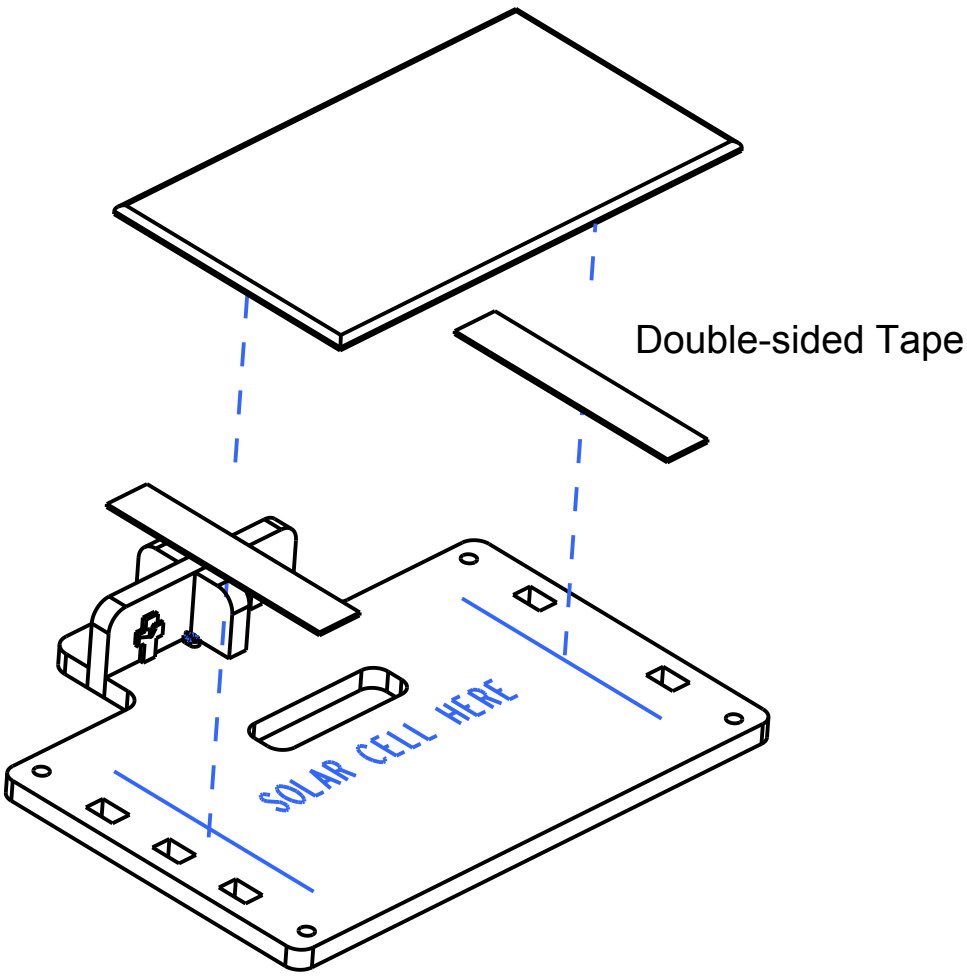
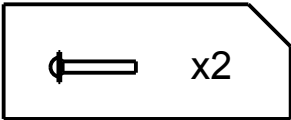


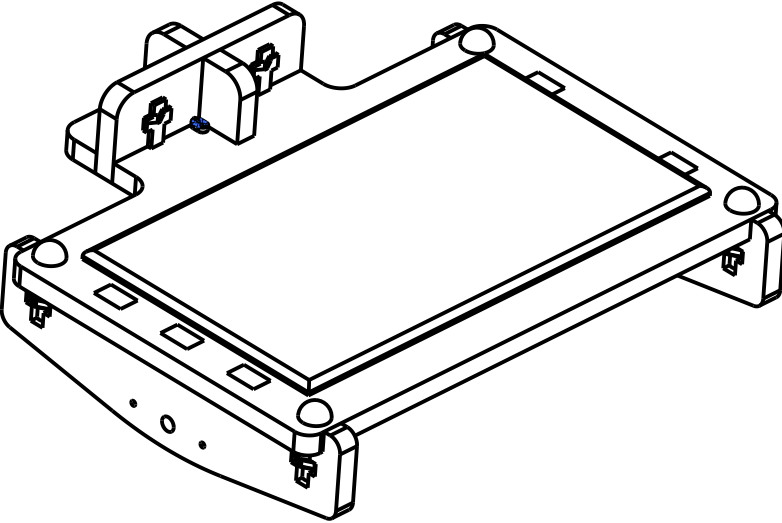
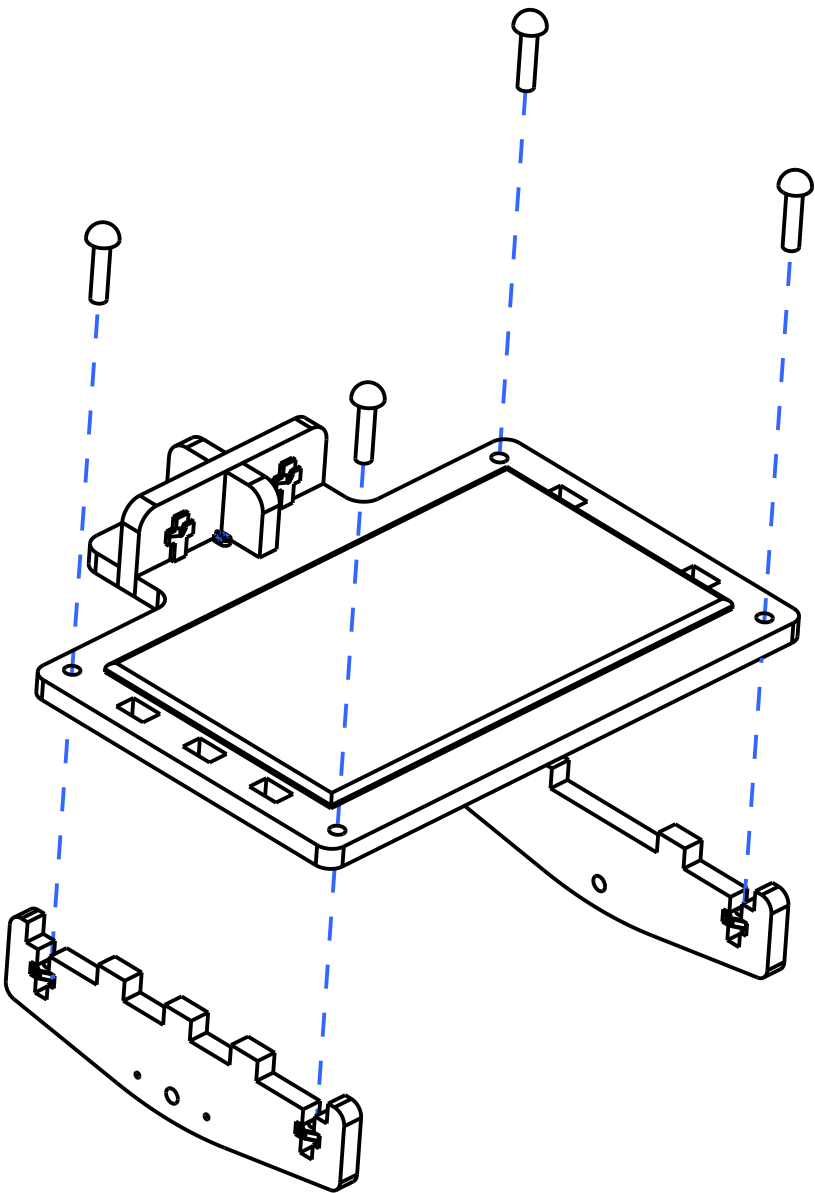
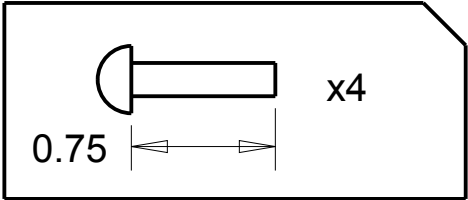
Wires go to Arduino

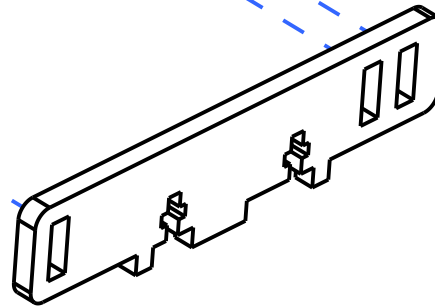
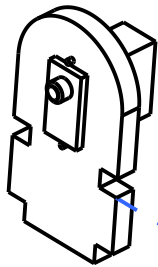
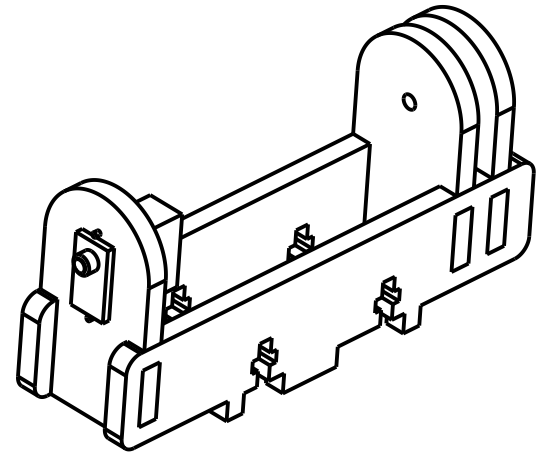
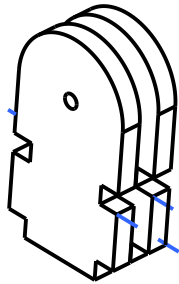
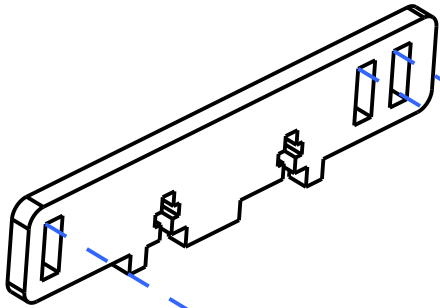
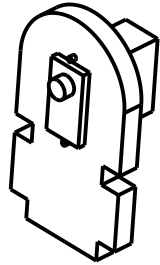
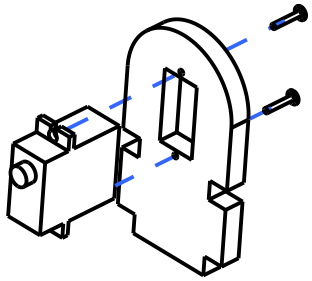
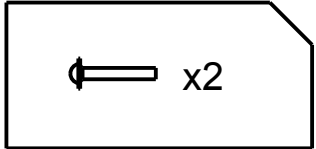


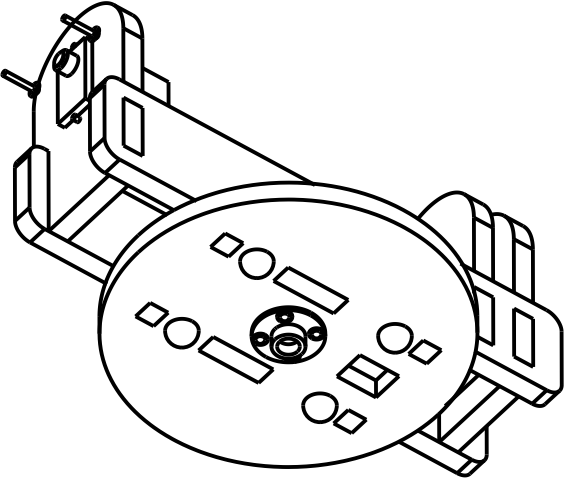
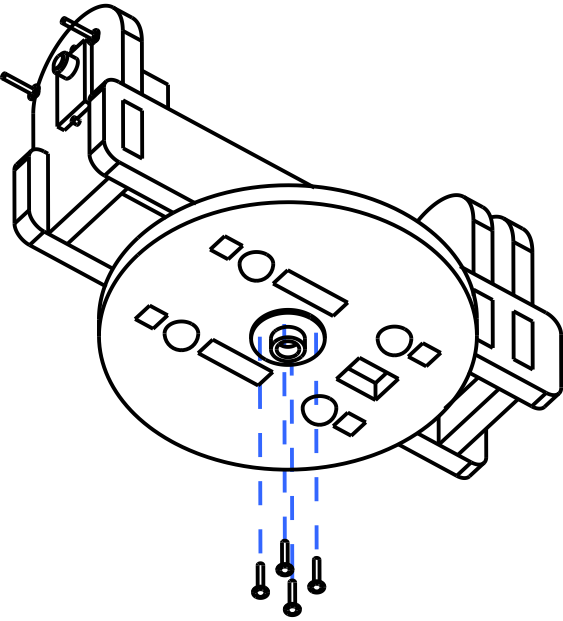
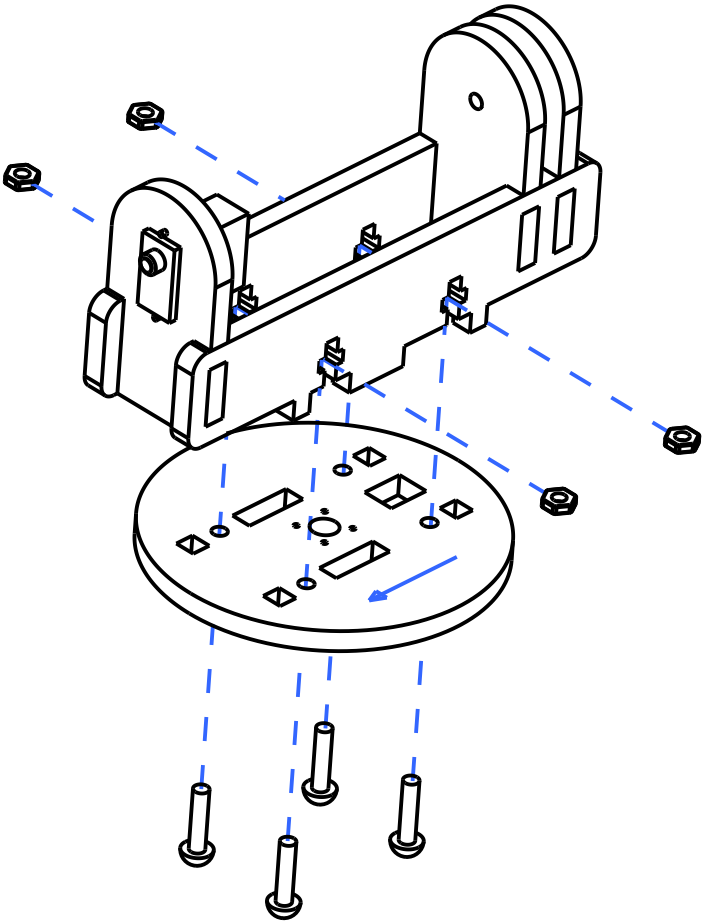
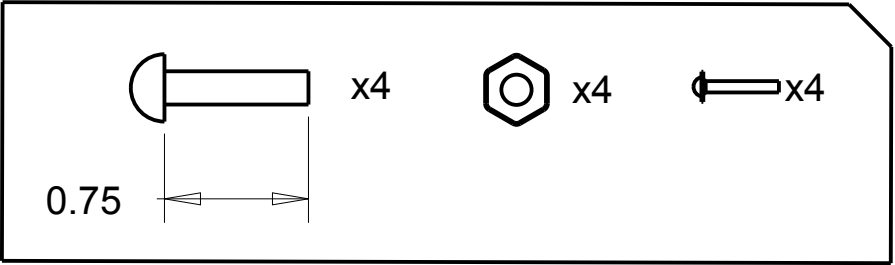
Glue in place

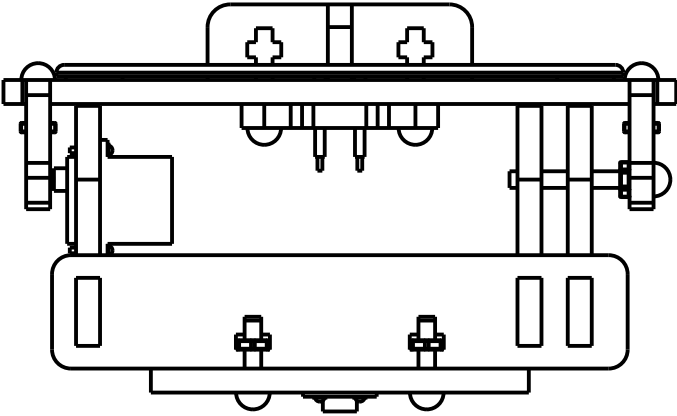
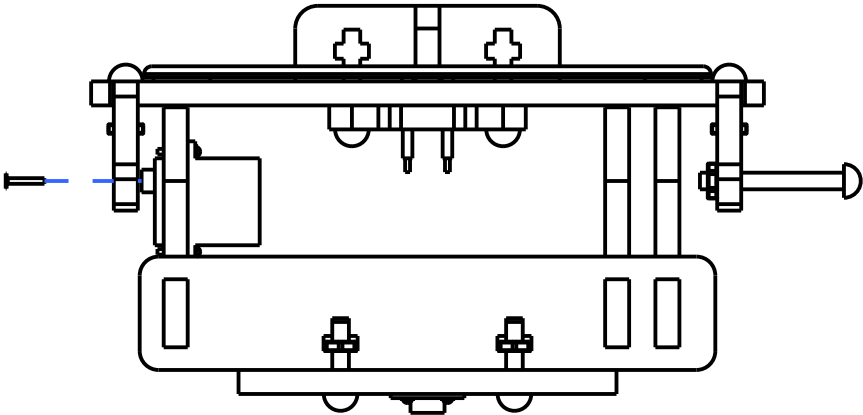
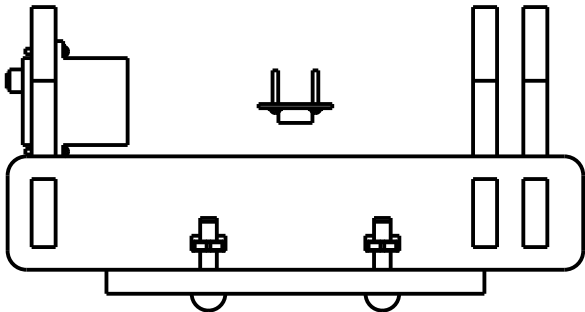
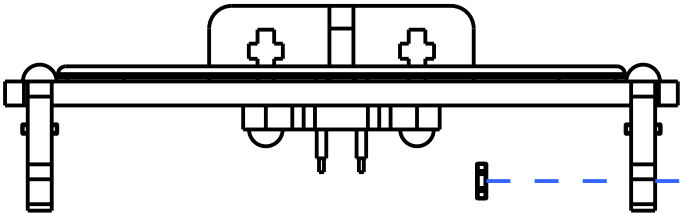
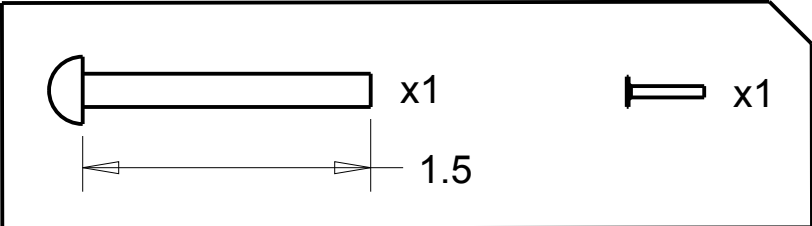


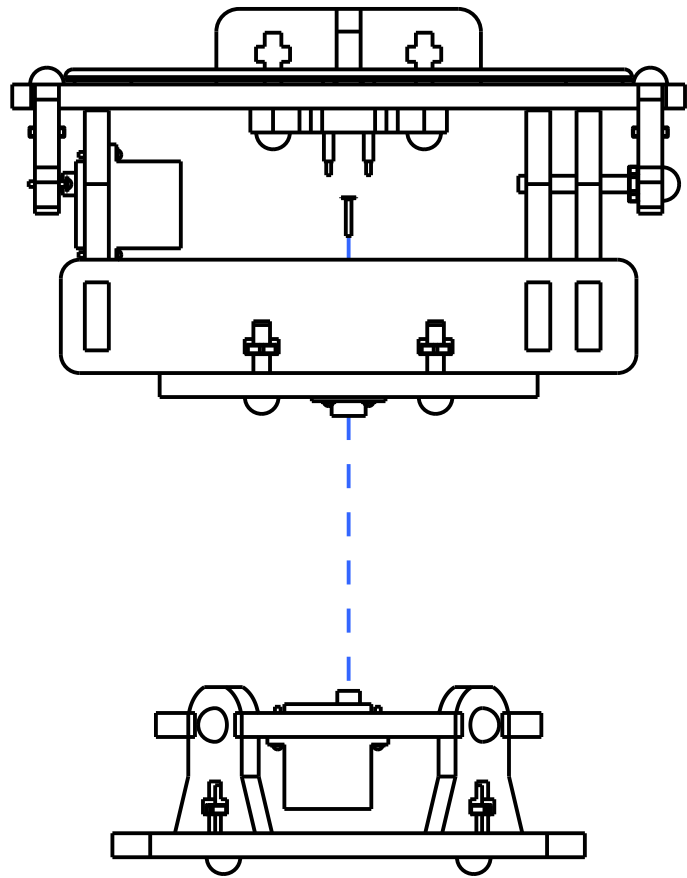
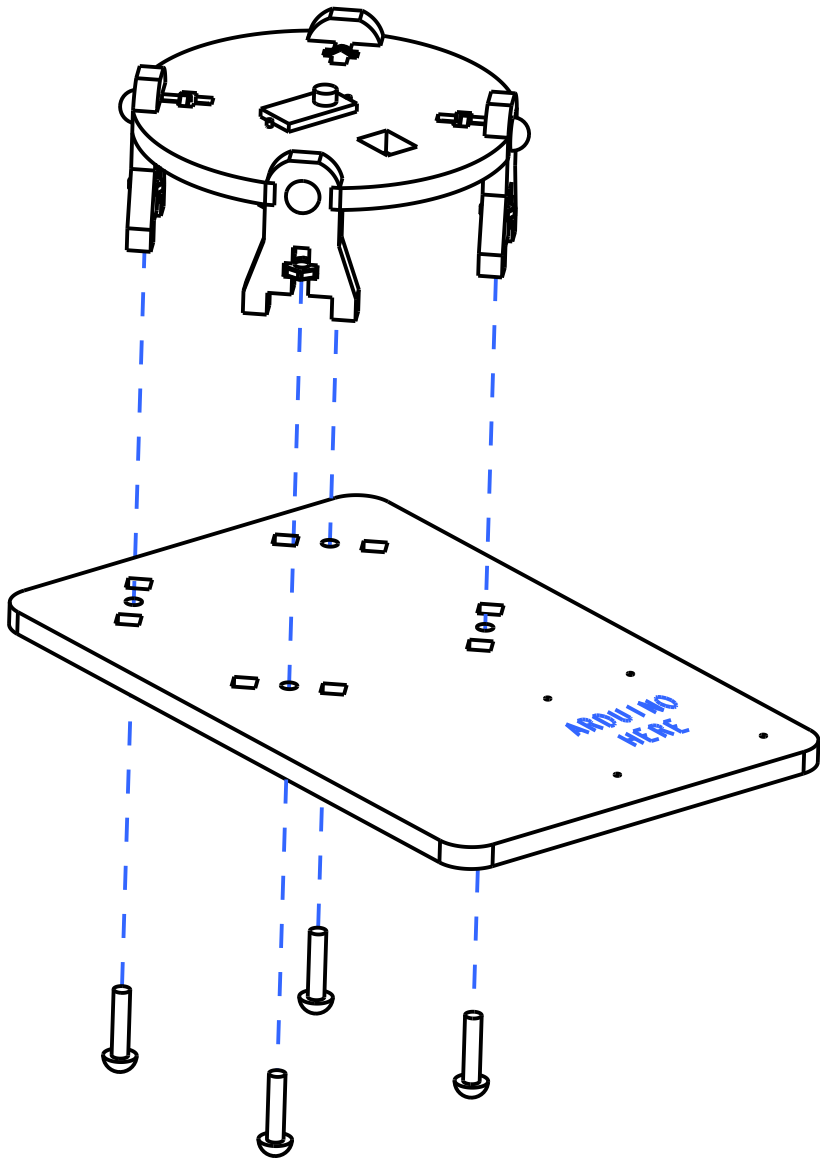
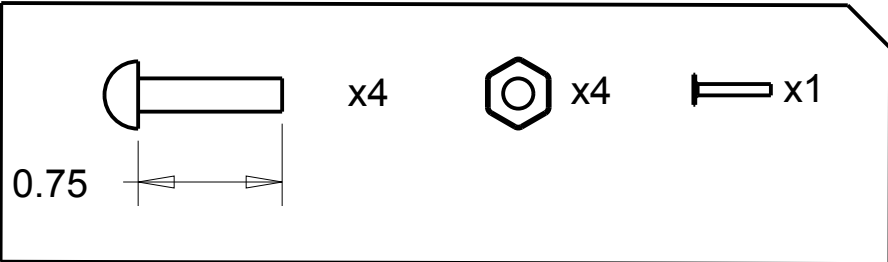




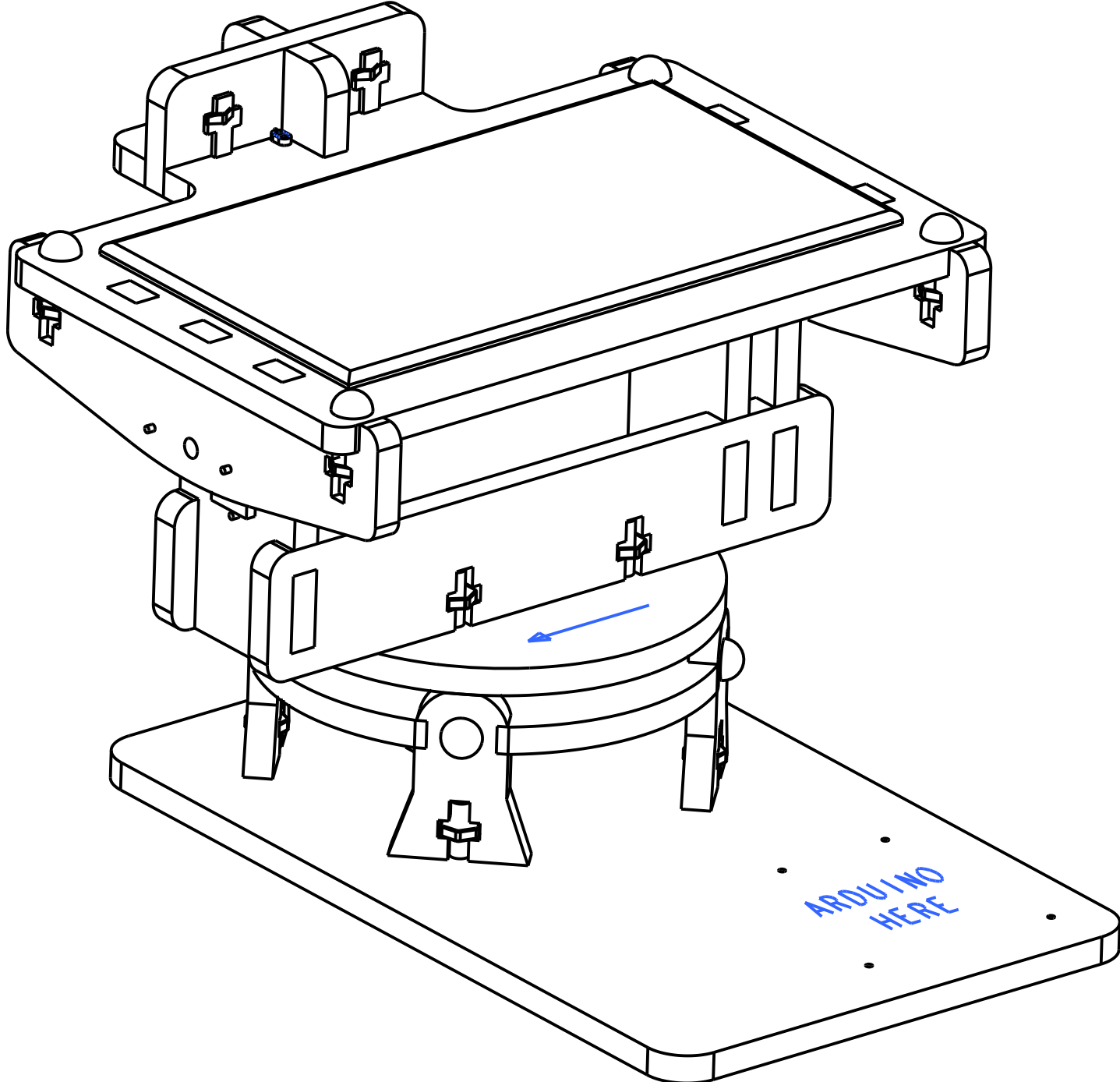












ARDUINO  
HERE