

DALUA



Variable Frequency DC Pump

Dalua Australia
NSW 2229 Australia
www.dalua.com
Tel: 0406-111-223
sales@daluaaustralia.com.au

Instructions

Contents

| | | |
|----|-------------------------|----|
| 02 | Feature | 01 |
| 02 | Product parameters | 02 |
| 03 | Instrucions | 03 |
| 04 | Flow rate curve | 04 |
| 06 | Installation Instrucion | 05 |
| 06 | Maintenance | 06 |
| 07 | Notice | 07 |
| 08 | Warranty Card | 08 |

Feature

- With three modes: Constant flow Mode (20 Levels), Wave makingmode (20 Levels), Feed Mode, The outputpower could be adjusted to match different size of fishbowl.
- The Pump has two function water dispensing and wave making.
- With SIX–Pole Intelligent DC three–phase drive (without sensor),
- Low voltage(DC24V) operation ,Safe, Long life expectancy and low noise.
- With Ceramic shaft & carbon fiber shaft sleeve to make sure the motor long expectancy.
- The input voltage of adapter is widely from AC100 to AC240V/60Hz which can be suitable for many countries
- Suitable for both fresh water and salt water

Product parameters

| Model | Blue 3000 | Blue 4000 | Blue 6000 | Blue 8000 | Blue 10000 | Blue 12000 | Blue 20000 | Blue 30000 |
|--------------|------------|------------|-----------|------------|------------|-------------|------------|------------|
| Flow rate | 3000L/H | 4000L/H | 6000L/H | 8000L/H | 10000L/H | 12000L/H | 20000L/H | 30000L/H |
| Head | 3.5M | 4M | 5M | 6M | 5M | 6M | 6M | 8M |
| Max Power | 40W | 50W | 70W | 85W | 105W | 115W | 150W | 220W |
| Min Power | 10W | 10W | 20W | 20W | 30W | 30W | 30W | 50W |
| Voltage | DC24V | DC24V | | DC24V | | DC36V | | |
| Dimension | 120*71*130 | 164*85*161 | | 193*99*191 | | 270*136*188 | | |
| Outlet/Inlet | 20MM/25MM | 25MM/32MM | | 32MM/40MM | | | | |

Instructions



Common Faults:

- ERR1** Software Overcurrent Protection
- ERR2** Hardware Overcurrent Protection
- ERR4** Undervoltage Protection
- ERR5** Overvoltage Protection
- ERR6** Phase Loss Protection
- ERR7** Locked-rotor protection
- ERR8** Dry running protection
- Startup Failed

M Power on the pump it will go into mode 1 (Constant flow Mode) directly, which also set the starting flow for Mode 2 (Pulse wave mode) and Mode 3 (Gyre wave mode). Press M button to change the mode. 1-XX mode 1 (Constant flow mode), 2-xx mode 2 (Pulse wave mode), 3-xx mode 3 (Gyre wave mode).
NOTE: How the pump create wave: Set a starting flow for the pump and the pump will change from start flow to max flow with different frequency. Before setting Mode 2 and Mode 3, should set the starting flow by Mode 1.

3 modes as the following:



Mode 1 (Constant flow mode)

- ① When selecting Mode 1 (constant flow mode) the **Constant** light on. The indicator display as 1-xx. Which have 20 levels.
- ② Adjust the pump power level by press "+" or "-", the user can adjust the power level according to their needs.

- 1-01 Min. power consumption
- 1-02
- 1-03
- ⋮
- 1-19
- 1-20 Max. power consumption



Mode 2 (Pulse wave mode)

- ① First set starting flow. Mode 1, the **Constant** light on. The intensity should between 1-01 to 1-15.
- ② Press "M" to mode 2 (Pulse wave mode), the **Pulse** light on. And the indicator display as 2-xx. Which has 20 levels of frequency.
- ③ Press "+" and "-" to set the wave frequency.

- 2-01 The fastest frequency 
- 2-02
- 2-03
- ⋮
- 2-19
- 2-20 The slowest frequency 

Mode 3 (Gyre wave mode)

- ① First set starting flow. Mode 1, the **Constant** light on. The intensity should between 1-01 to 1-15.
- ② Press M to mode 3 (Pulse wave mode), the **Gyre** light on. And the indicator display as 3-xx. Which has 20 levels of frequency.
- ③ Press "+" and "-" to set the wave frequency.

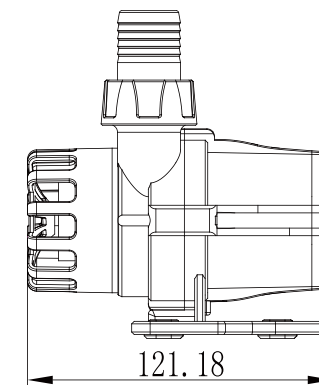
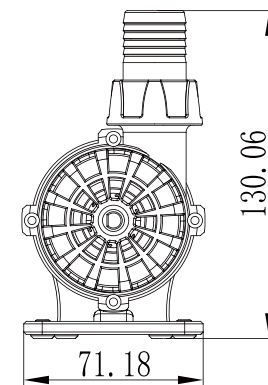
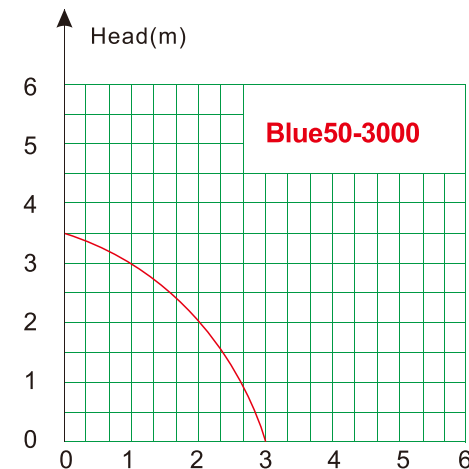
- 3-01 The fastest frequency 
- 3-02
- 3-03
- ⋮
- 3-19
- 3-20 The slowest frequency 

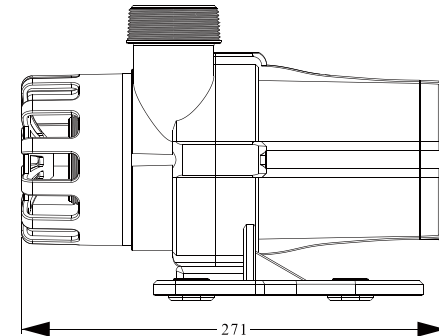
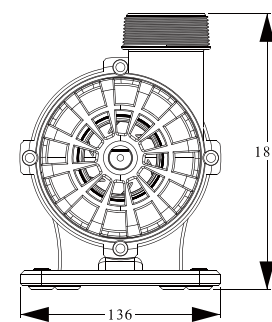
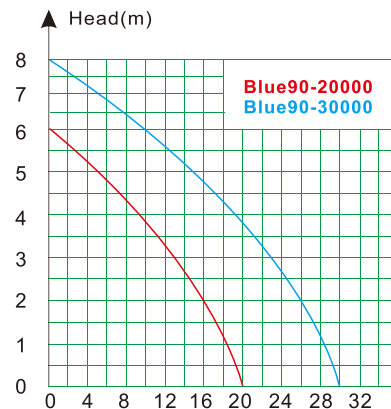
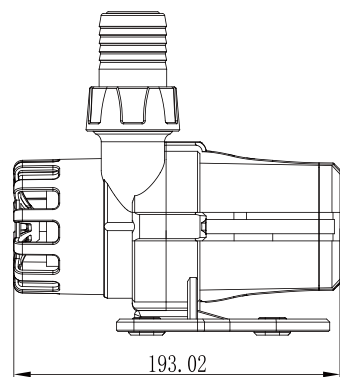
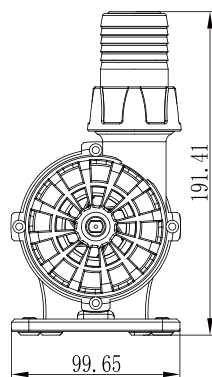
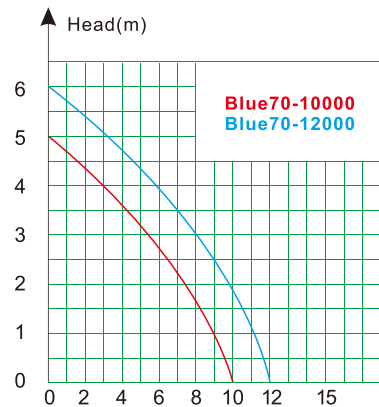
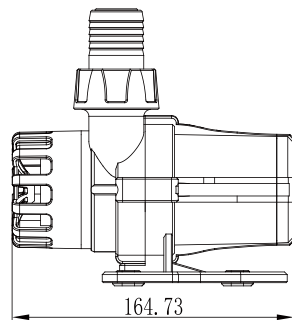
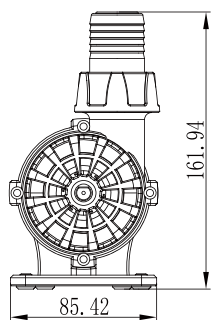
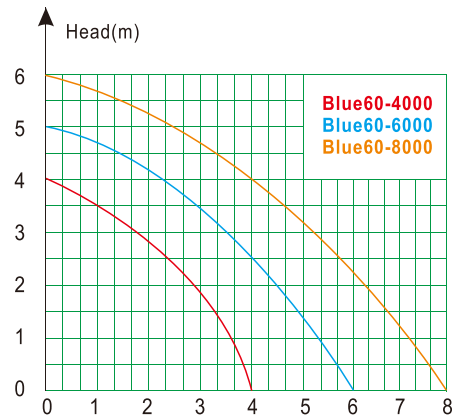


Feed mode: Press **Feed**, the pump will go into feed mode. the **Feed** light on. Press one time indicator shows F-10, it means pause 10 min, then press second time shows F-20, it means pause 20 min, Press third time F-30, pause 30min and press fourth time power off. Press **Feed** again it will go back to work again.

+ **-** Press "+" and "-" button to adjust the power level or frequency from level 1 to 20.

Flow rate curve





Installation Instruction

The pump unit includes pump body, controller, adapter, inlet filter and outlet. Install the filter cover onto the pump inlet, install the outlet adapter onto the pump outlet. After connecting the pump and controller 3-pin quick connectors, then plug the adapter into the controller (DC plug), and connect the adapter with the AC Plug.

Maintenance

- Please clean the pump regularly to ensure its effective operation
- If there is water on the surface of the controller, Please wipe with a dry cloth to prevent water from entering into the control box.
- When the pump does not run, firstly, disconnect the power, then remove the screw and pull out the front cover, and check for debris in the inlet
- The pump is for indoor use only .To prevent permanent damage, keep the controller and adapter away from water

Notice

- Dry run not allowed in order to guarantee the product performance
- Keep the controller and adapter away from water and water splash
- To avoid damage please don't open the controller and adapter

Warranty Card

Please keep the warranty card, to initiate the repairs

The following items are not covered by the warranty:

- Non standard operation:Incorrect installation and placement,damage caused by transport.
- Damage caused by improper repair faults.* Improper out door use.
- Malfunction caused by irresistible natural disasters.
- Failur caused by accidents of rated power(voltage and frequency).

The interpretation of the above warranty terms belongs to our sales department.

User's Information

| User's Information | | | | |
|---------------------|------|-------------|------|--------------------|
| Product Name | | | DOP | |
| Product No | | | | |
| Customer | Name | | Tel | |
| | Add | | | |
| Retailer | Name | | Tel | |
| | Add | | | |
| Maintenance records | Date | Remarks | Sign | Maintenance person |
| | | | | |
| | | | | |
| Checker: | | Check Date: | | |