

DLP PROJECTION HDTV
V33Y & V33+ CHASSIS



WD-73732



V33Y Chassis

WD-Y57
WD-Y65

V33+ Chassis

WD-57732
WD-65732
WD-73732

CAUTION:

Before servicing this chassis, it is important that the service person read the "SAFETY PRECAUTIONS" and "PRODUCT SAFETY NOTICE" contained in this manual.

SPECIFICATIONS

- | | |
|---|---|
| <ul style="list-style-type: none"> • Power Input : AC 120V, 60Hz • Power Usage : See table on page 5 • Light Engine : DLP™ (1920 x 1080 pixels)
6 Primary Color System (57" & 65" only)
3 Primary Color System (73" ONLY) • Light Source : 150W (57" & 65" models)
180W (73" model) • Channel Range : Air VHF - 2~13, UHF - 14~69
Analog Cable - 1~125
Digital Cable - 1~135 • Antenna Input : 2 RF 75Ω unbalanced • Tuning : 1 NTSC/ATSC/QAM
1 Out of Band for CableCARD™ • Cabinet Dimensions : See Table on page 5 • Weight : See table on page 5 • Speakers (4Ω 10W) : Two 5½"x2¼" Oval | <ul style="list-style-type: none"> • Input Level : VIDEO IN JACK (RCA Type)
1.0Vp-p 75Ω unbalanced
: AUDIO IN JACK (RCA Type)
-4.7dBm 43kΩ unbalanced
: S-VIDEO IN JACK
(Y/C separate type)
Y:1.0 Vp-p C:0.286Vp-p(BURST)
75Ω unbalanced
: COMP / Y, Cr, Cb (RCA Type)
Y: 1.0 Vp-p Cr, Cb: 700mVp-p • Output Level : VIDEO OUT JACK (RCA Type)
1.0Vp-p 75Ω unbalanced
: AUDIO OUT JACK (RCA Type)
-4.7dBm 4.7kΩ unbalanced • Digital : IEEE-1394 I/O Jacks
: AC-3 Digital Audio Output
(RCA Type)
: HDMI™
: IR Blaster Output
: Memory Card Reader (V33+ Only)
: PC - DVI-I |
|---|---|

• Design specifications are subject to change without notice.



: Lead-Free solder PWBs

MITSUBISHI DIGITAL ELECTRONICS AMERICA, INC.

9351 Jeronimo Road, Irvine, CA 92618-1904

Copyright © 2006 Mitsubishi Digital Electronics America, Inc.

All Rights Reserved

CONTENTS

INTRODUCTION	5
Dimensions, weight, power usage, etc.	5
PRODUCT SAFETY NOTICE	5
SAFETY PRECAUTIONS	6
DISASSEMBLY	7
Rear Cover Removal	8
Chassis Removal and Disassembly	7
57" & 65" Optical Engine Removal	12
73" Optical Engine Removal	13
57" & 65" Front Disassembly	14
57" & 65" Screen Removal & Replacement	15
73" Front Disassembly	16
73" Screen Removal & Replacement	18
ADJUSTMENTS	20
Option Menu, Remote Control and Digital Signal Info	20
Initialization	21
Defaults	22
LED Indicator Diagnostics	24
Error Codes Operational Check	24
Error Codes	25
57" & 65" models Lamp Troubleshooting	26
73" models Lamp Troubleshooting	28
CableCARD™ Troubleshooting	30
Service Adjustment Mode	31
Service Adjustment Mode Operation	31
Transferring data	32
Optical Engine Adjustment	33
Test Signal activation	33
Preliminary	33
57" & 65" Rotation and Keystone Distortion Adjustment	35
After completing adjustments	35
73" Adjustment Preliminary	36
73" Adjustment	37
Horizontal & Vertical Position	37
USING LEAD FREE SOLDER	38
CHIP PARTS REPLACEMENT	39
REPLACEMENT PARTS	40
Parts Ordering	40
Critical and Warranty Parts Designation	40
Parts Tolerance Codes	40
Quick Reference List	41
SERVICE PARTS LIST	42
SCREEN ASSEMBLY PARTS LIST	50
CIRCUITRY BLOCK DIAGRAMS	52

Main Power Supply 52
xHD5 Light Engine & Fan Power Supplies 53
xHD5 Light Engine & Fan Power Supplies 53
Power Distribution 54
PWB-SIGNAL Video Path 55
PWB-DM Video Path 56
Sound Select Circuitry 57
Sound Signal Path 58
Overall Control Circuitry 59
Command Input Circuitry 60
57" & 65" Lamp Control Circuitry 61
57" & 65" Engine Protect Circuitry 61
73" Lamp Control Circuitry 62
73" Engine Protect Circuitry 62
Auto Input Detection 63
Short Protect Circuit 64

SCHEMATIC DIAGRAMS

CableCARD is a trademark of Cable Television Laboratories, Inc.
Digital Light Processing, Digital Micro Mirror Device and DLP are Trademarks of Texas Instruments.
Dolby and Dolby digital are registered trademarks of Dolby Laboratories.
DTV Link is a trademark of Consumer Electronics Association
HDMI, the HDMI logo and High-Definition Multimedia Interface are trademarks or registered trademarks of HDMI Licensing, LLC.
TV GUIDE and other related marks are registered marks of Gemstar-TV Guide International, Inc. and/or on of its affiliates.

INTRODUCTION

This service manual provides service instructions for the V33Y and V33+ chassis type. The specific models for each chassis type, dimensions and weight are listed below. Service personnel should read this manual thoroughly before servicing these chassis.

MODEL	CHASSIS	HEIGHT	WIDTH	DEPTH	WEIGHT	POWER USAGE
WD-Y57	V33Y	36.26"	51.5"	18"	87.5 lbs	250w
WD-Y65	"	40.8"	58.5"	19.8"	103.7 lbs	"
WD-57732	V33+	36.26"	58.5"	19.8"	95.7 lbs	250w
WD-65732	"	40.8"	58.5"	19.8"	103.7 lbs	"
WD-73732	"	44.8"	69.9"	21.5"	187.5 lbs	"

This service manual includes:

1. Assembly and disassembly instructions for cabinet and chassis components.
2. Servicing of the Lenticular Screen and Fresnel Lens.
3. Servicing printed circuit boards (PCBs).
4. Electrical and Mechanical adjustments.
6. Chip parts replacement procedures.
7. Circuit path diagrams.

The parts list section of this service manual includes:

1. Cabinet and screen parts.
2. Electrical parts.

Schematic and block diagrams of the above listed models are included in this service manual for better understanding of the circuitry.

PRODUCT SAFETY NOTICE

Many electrical and mechanical parts in television receivers have special safety related characteristics. These characteristics are often not evident from visual inspection nor can the protection afforded by them necessarily be obtained by using replacement components rated for higher voltage, wattage, etc.

Replacement parts which have special safety characteristics are identified in this service manual.

Electrical components having such features are identified by shading on the schematic diagram and parts list of this service manual, and by marking on the supplementary sheet for this chassis to be issued subsequently. **Therefore, the replacement for any safety part should be identical in value and characteristics.**



Solder

The PWBs used in the V33+ and V33Y chassis are constructed using Lead-Free solder. **When servicing use only recommended Lead-Free solder (refer to page 38).**

SAFETY PRECAUTIONS

NOTICE: Observe all cautions and safety related notes located inside the receiver cabinet and on the receiver chassis.

WARNING:

1. Operation of this receiver outside the cabinet or with the cover removed presents a shock hazard from the receiver's power supplies. Work on the receiver should not be attempted by anyone who is not thoroughly familiar with the precautions necessary when working on high voltage equipment.
2. When service is required, observe the original lead dress. Where a short-circuit has occurred, replace those components that indicate evidence of overheating.

SAFETY PRECAUTION

To protect your eyes, do not look directly into the lamp, or light coming directly from the lamp, lens or mirror.

Leakage current check

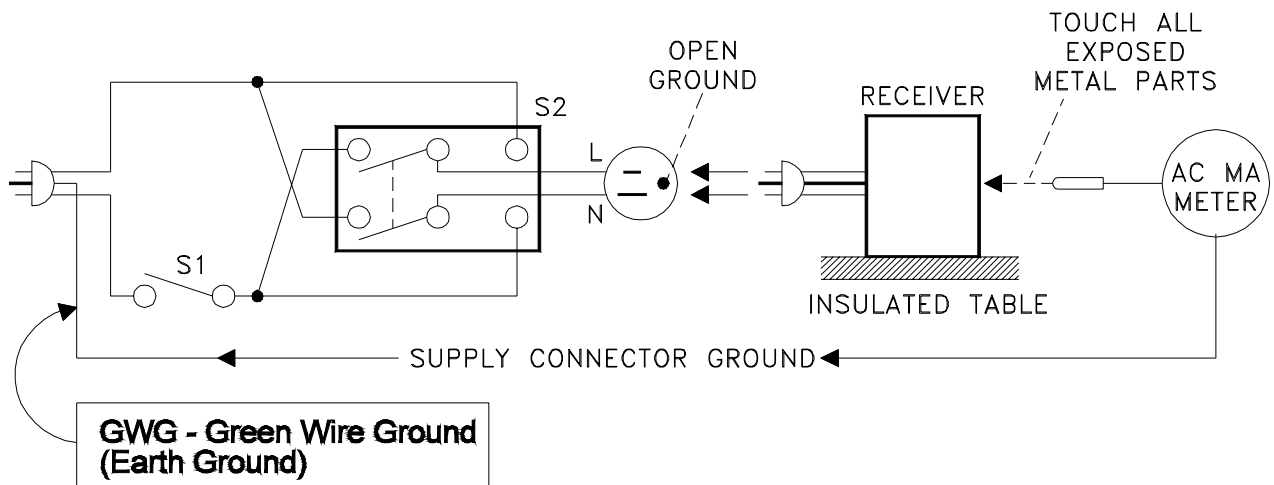
Before returning the receiver to the customer, it is recommended that leakage current be measured according to the following methods.

1. Cold Check

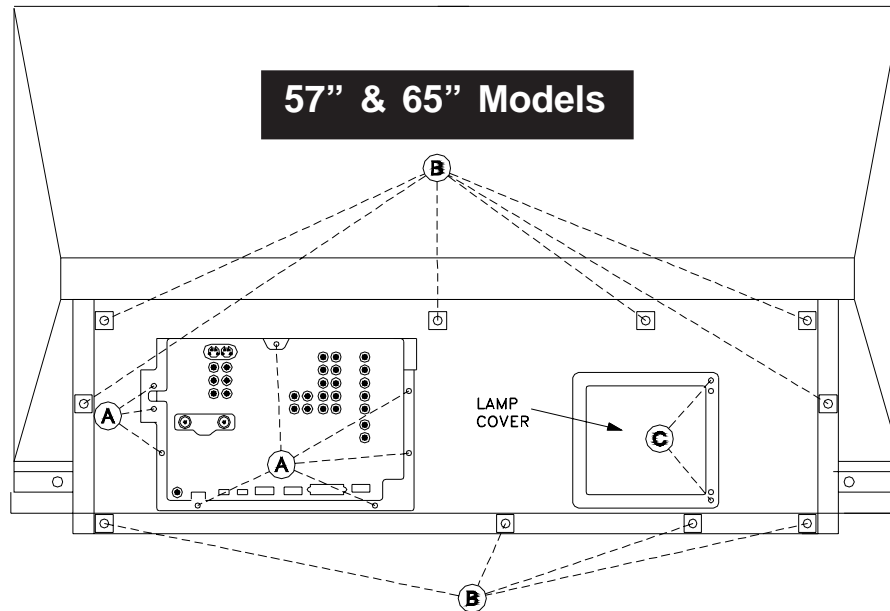
With the alternating current (AC) plug removed from the AC source, place a jumper across the two AC plug prongs. Connect one lead of an ohm meter to the AC plug and touch the other lead to each exposed metal part (i.e. antennas, handle bracket, metal cabinet, screw heads, metal overlay, control shafts, etc.), particularly any exposed metal part that has a return path to the chassis. The resistance of the exposed metal parts having a return path to the chassis **should be a minimum of 1Meg Ohm**. Any resistance below this value indicates an abnormal condition and requires corrective action.

2. Hot Check ...Use the circuit shown below to perform the hot check test.

1. Keep switch S1 open and connect the receiver to the measuring circuit. Immediately after connection, and with the switching devices of the receiver in their operating positions, measure the leakage current for both positions of switch S2.
2. Close switch S1, energizing the receiver. Immediately after closing switch S1, and with the switching devices of the receiver in their operating positions, measure the leakage current for both positions of switch S2. Repeat the current measurements of items 1 and 2 after the receiver has reached thermal stabilization. **The leakage current must not exceed 0.5 milliampere (mA).**



Rear Cover Removal

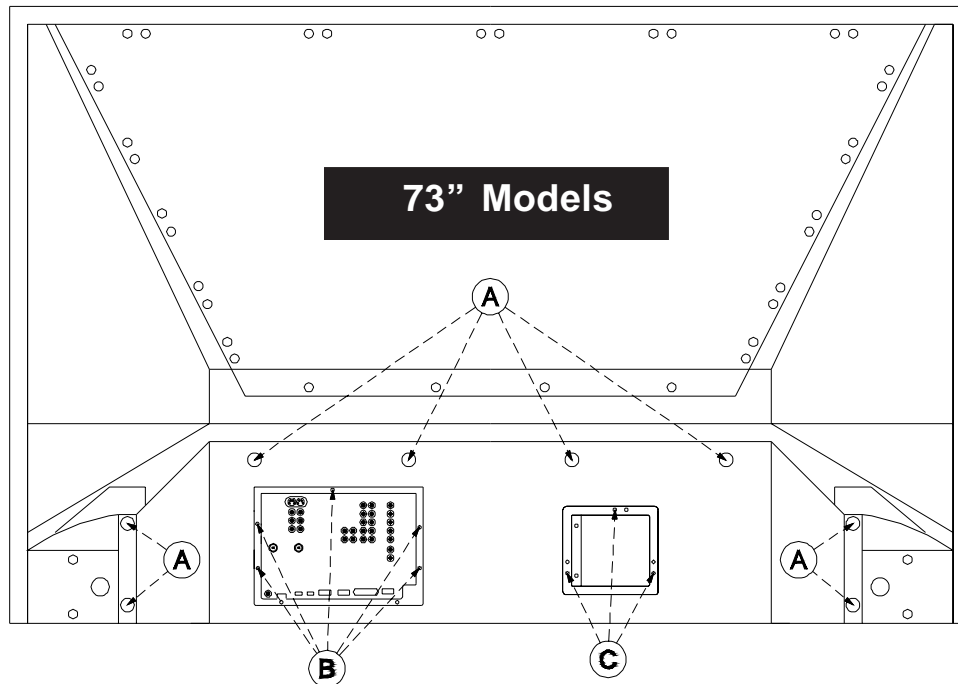


Rear Cover Removal Procedure

- 1) Remove 8 screws (A) from the External Input frame.
- 2) Remove 10 screws (B) from the rear cover.
- 3) Remove 2 screw (C) and the Lamp Cover.
(Prevents possible Lamp Switch breakage)
- 3) Pull the rear cover from the TV.

Rear Cover Installation

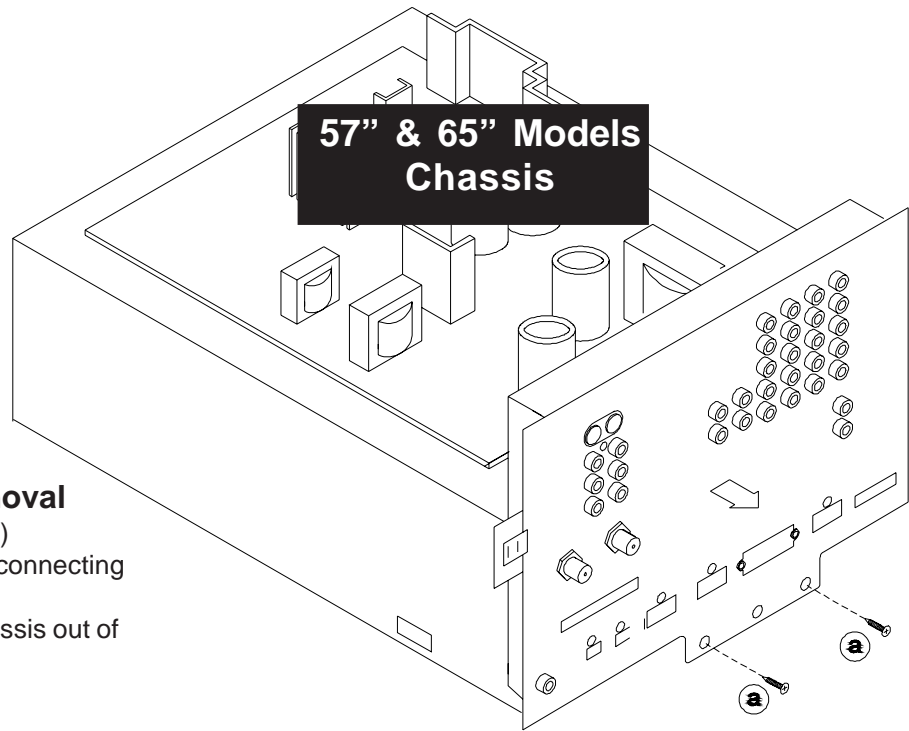
Reverse the removal procedure but **install the Lamp Cover Last.**



73" Models Rear Cover Removal Procedure

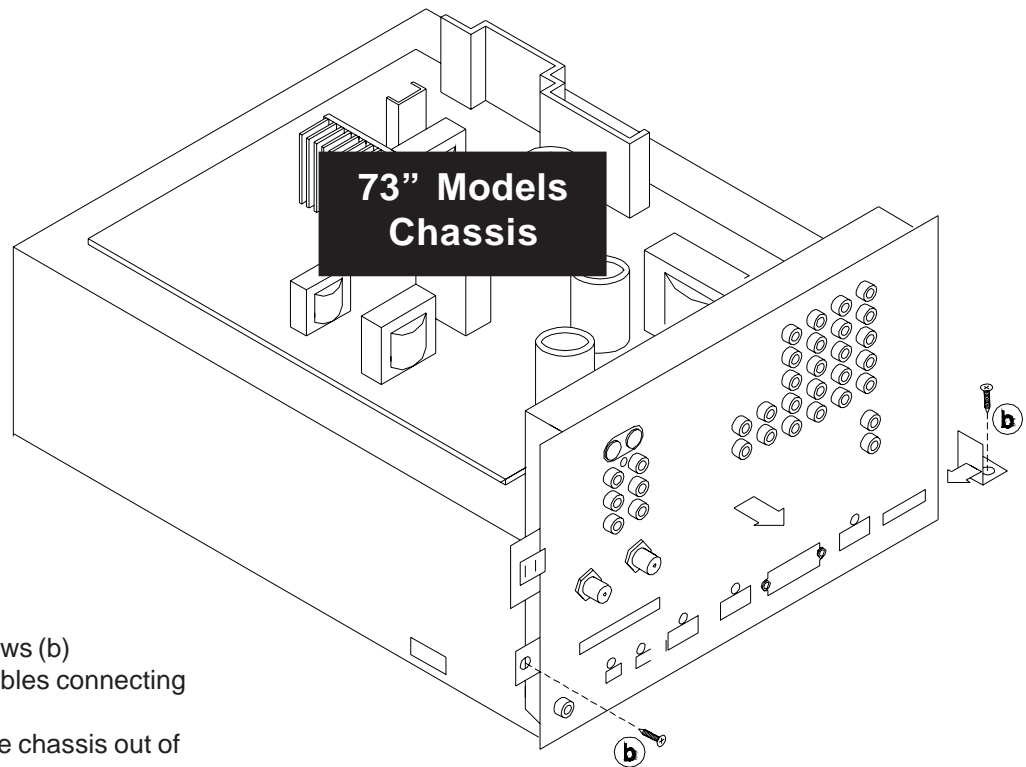
- 1) Remove 8 screws (A) from the rear cover..
- 2) Remove 5 screws (B) from the external input frame.
- 3) Remove 3 screw (C) for the Lamp Cover Door frame.
- 3) Pull the rear cover from the TV.

Chassis Disassembly



57" and 65" Chassis Removal

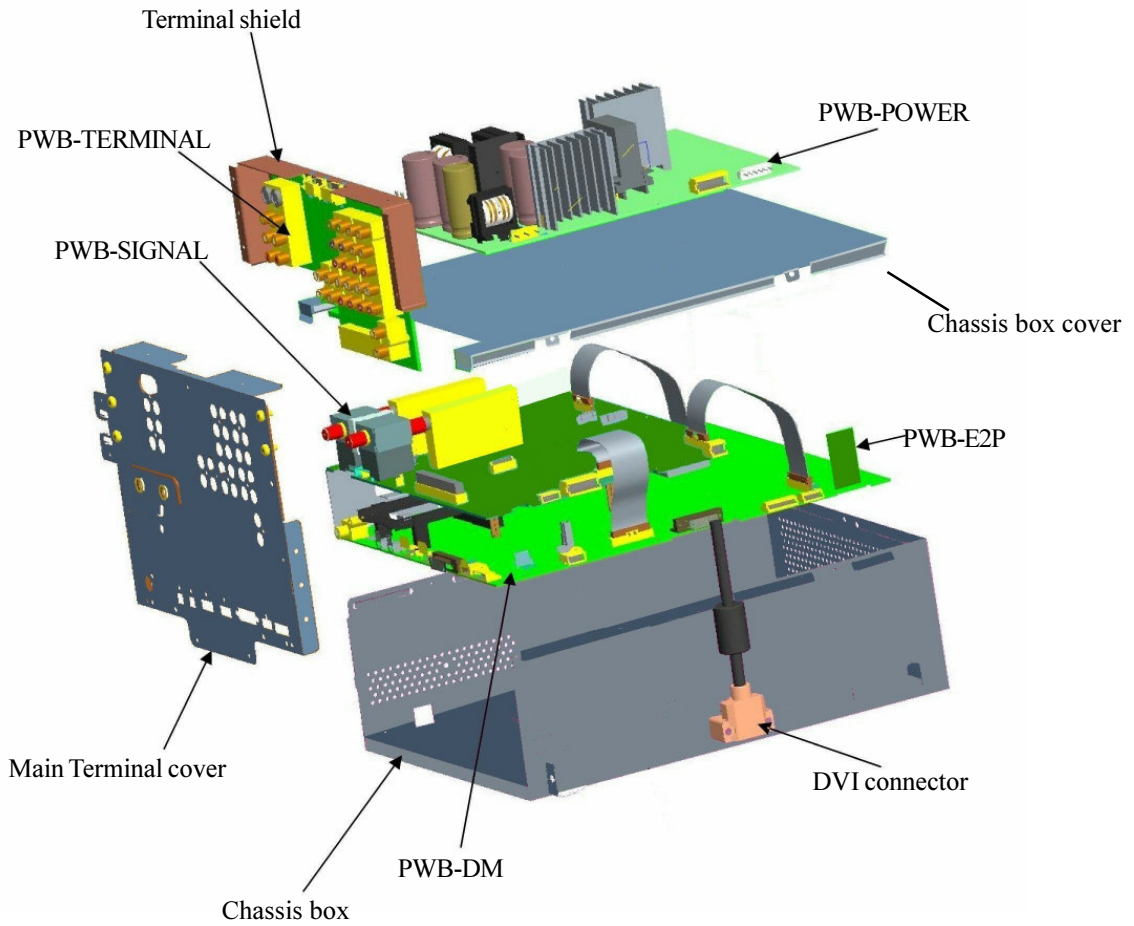
- 1) Remove two screws (a)
- 2) Disconnect all cables connecting to the chassis.
- 3) Carefully slide the chassis out of the Cabinet.



73" Chassis Removal

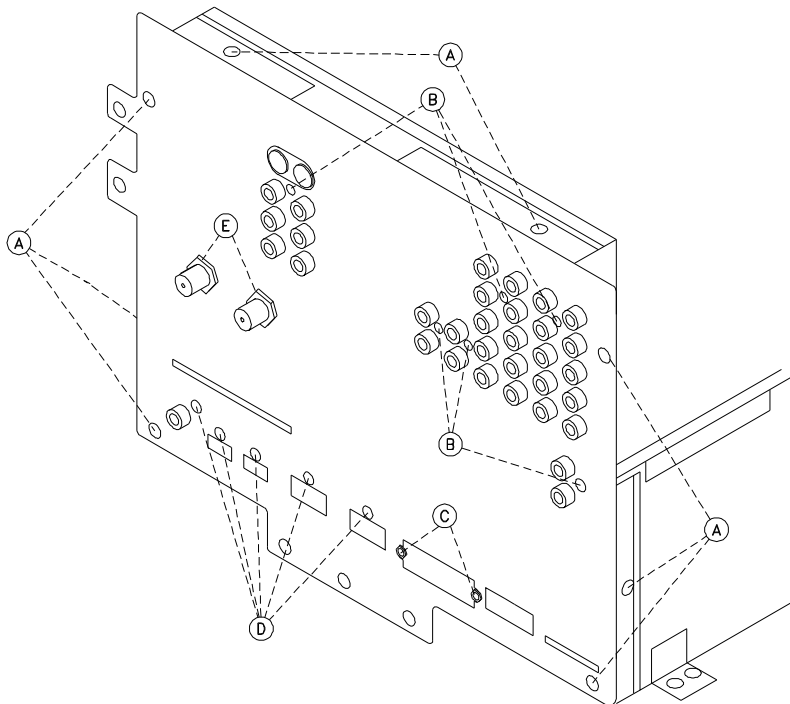
- 1) Remove two screws (b)
- 2) Disconnect all cables connecting to the chassis.
- 3) Carefully slide the chassis out of the Cabinet.

Chassis (Exploded View)



Main Terminal Shield Removal

- 1) Remove 6 screws (A), 8 screws (B), 2 screws (C) and 5 screws (D) from the Terminal Shield.
- 2) Remove 2 nuts (E).
- 3) Pull the Terminal Shield from the chassis.



Chassis (top shield removed)

PWB-TERMINAL Removal

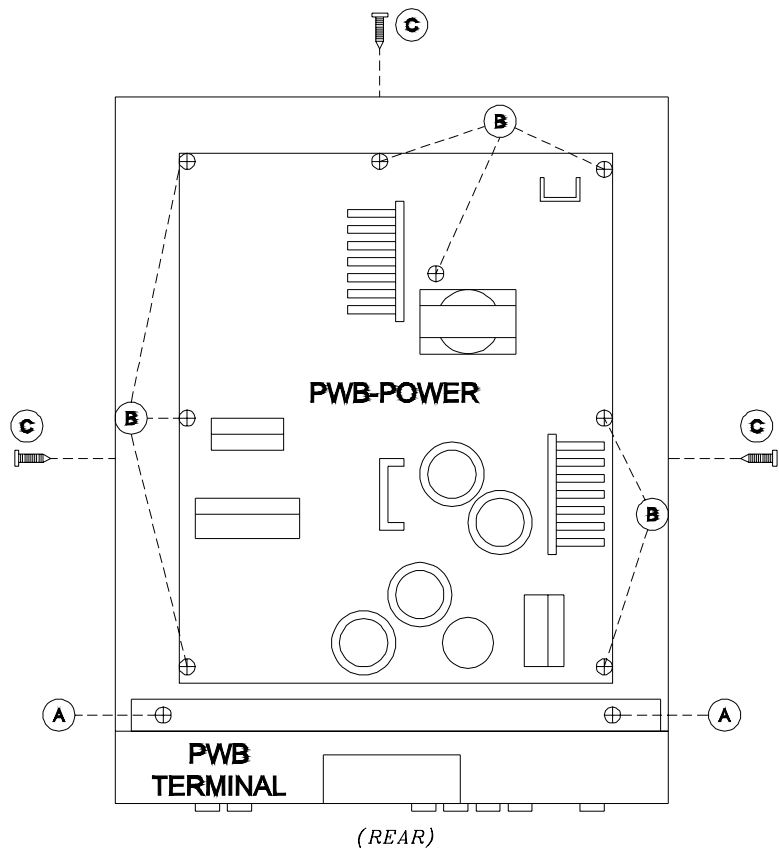
- 1) Remove 2 screws (A) from the Terminal Cover.
- 2) Carefully pull upward to remove the PWB-TERMINAL and Cover from the chassis.

PWB-POWER Removal

- 1) Remove 8 screws (B) from the PWB-POWER.
- 2) Disconnect all leads to the PWB-POWER and lift it from the chassis.

Chassis Box Top Cover Removal

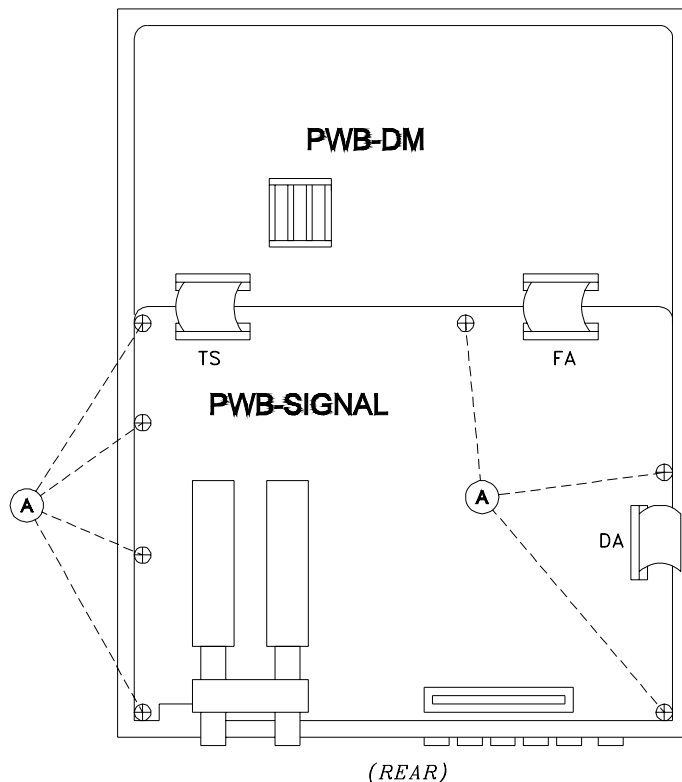
- 1) Remove 3 screws (C).
- 2) Lift the cover from the chassis box.



PWB-SIGNAL Removal

After removing PWB-POWER the chassis box cover:

- 1) Remove 7 screws (A) from PWB-SIGNAL.
- 2) Disconnect all cables going to the PWB-SIGNAL.
- 3) Lift PWB-SIGNAL from the chassis box.



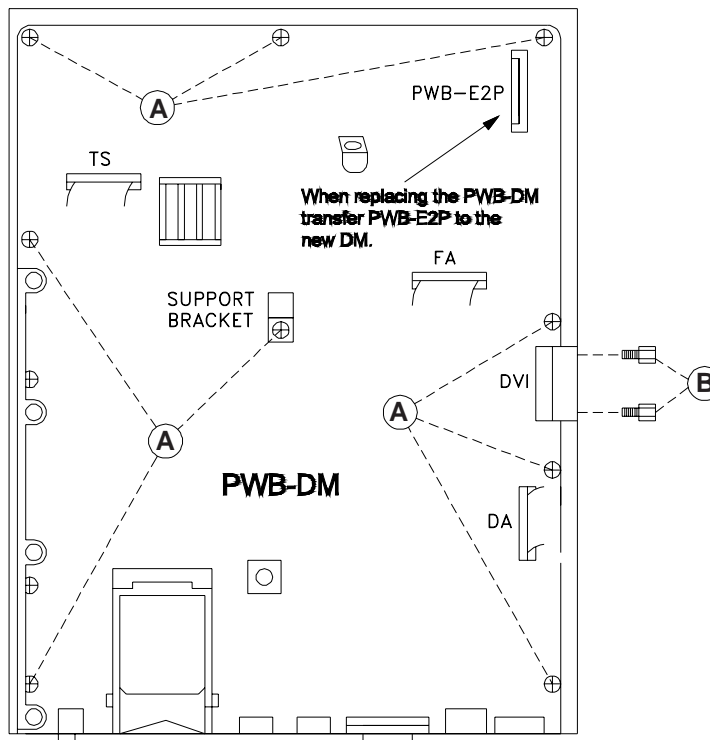
Chassis (top shield removed)

PWB-DM Removal

After removing PWB-SIGNAL:

- 1) Remove 9 screws (A) from the PWB-DM.
- 2) Remove 2 hex screws (B) from the DVI connector.
- 3) Lift the PWB-DM from the chassis box.

If PWB-DM is replaced, transfer the PWB-E2P from the old DM to the new DM. Then perform the data transfer procedures "Copy Light Engine E2PROM to DM" and "Download WB Alignment to FMT" described on page 32.



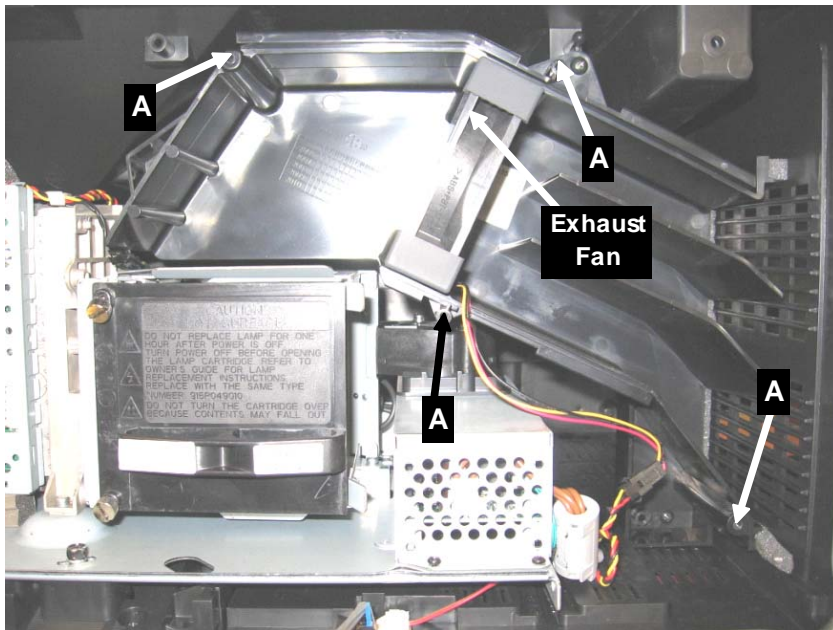
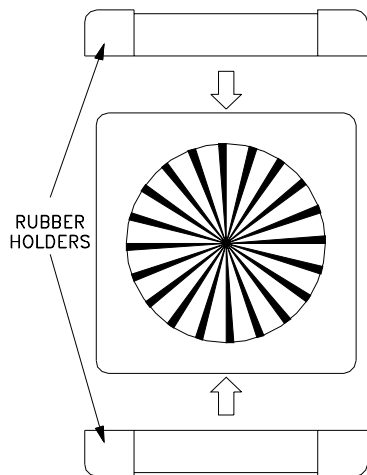
(REAR)

Chassis (top view)

Exhaust Fan Replacement

- 1) Remove 4 screws (A) and remove the exhaust duct cover.
- 2) Slide the Exhaust Fan from the duct and unplug the JF connector.

Note: Save the rubber cushions, they do not come with a new fan.
- 3) When installing the fan ensure the leads come out the bottom of the fan as shown in the picture.

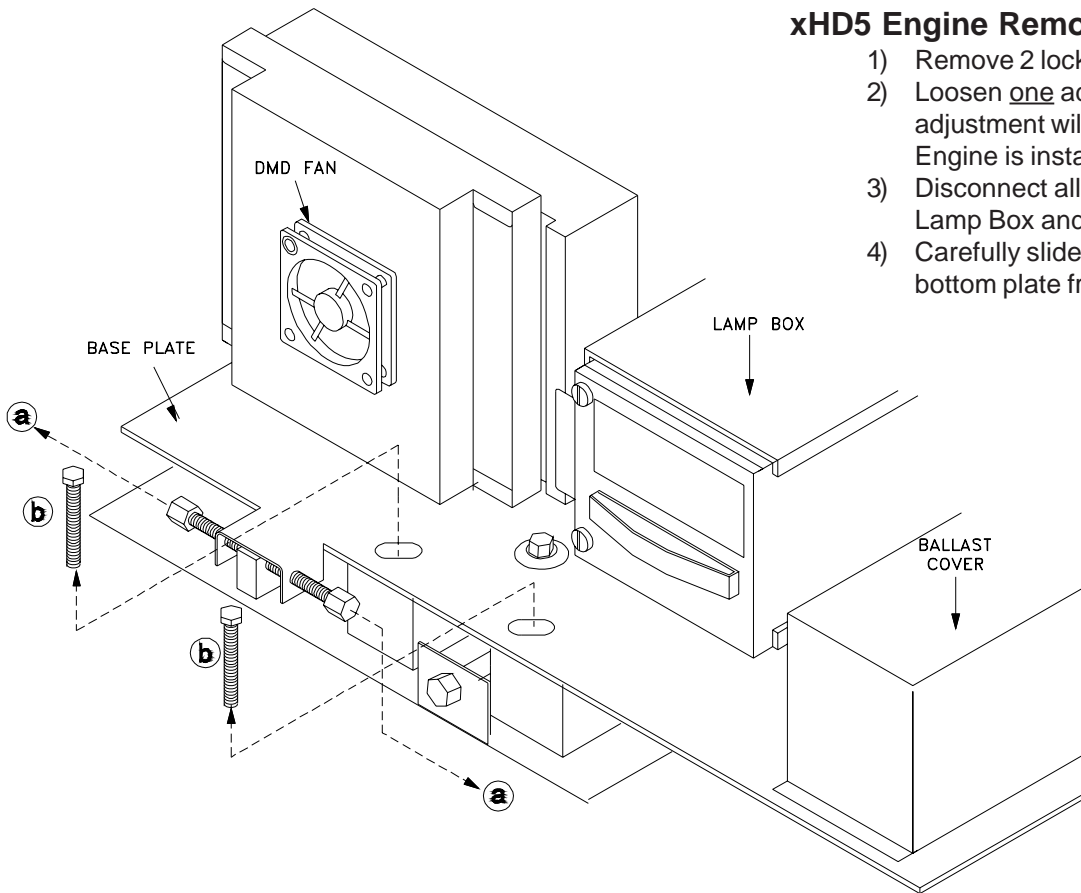


Engine Removal

57" & 65" Engine (xHD5) Removal from cabinet

xHD5 Engine Removal Procedure

- 1) Remove 2 locking screws (b).
- 2) Loosen one adjust screws (a). Less adjustment will be required when the Engine is installed.
- 3) Disconnect all leads to the Engine, Lamp Box and Ballast.
- 4) Carefully slide the Engine, with the bottom plate from the cabinet.

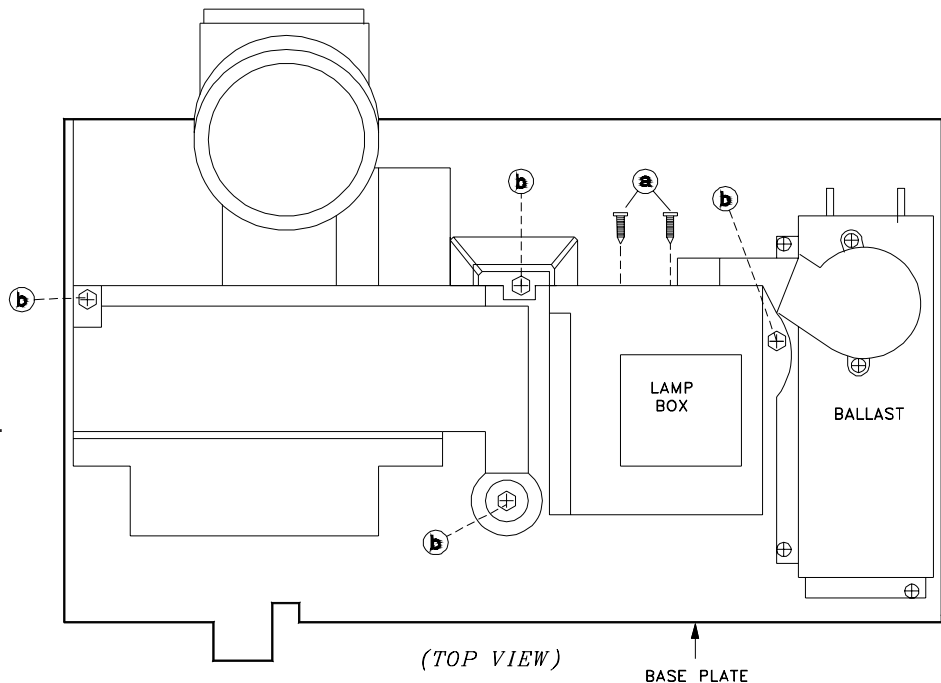


57" & 65" Engine Removal from base plate

Removing the xHD5 Engine from the Plate

- 1) Remove the 2 screws (a), and 4 screws (b).
- 2) Carefully lift the engine from the base plate.

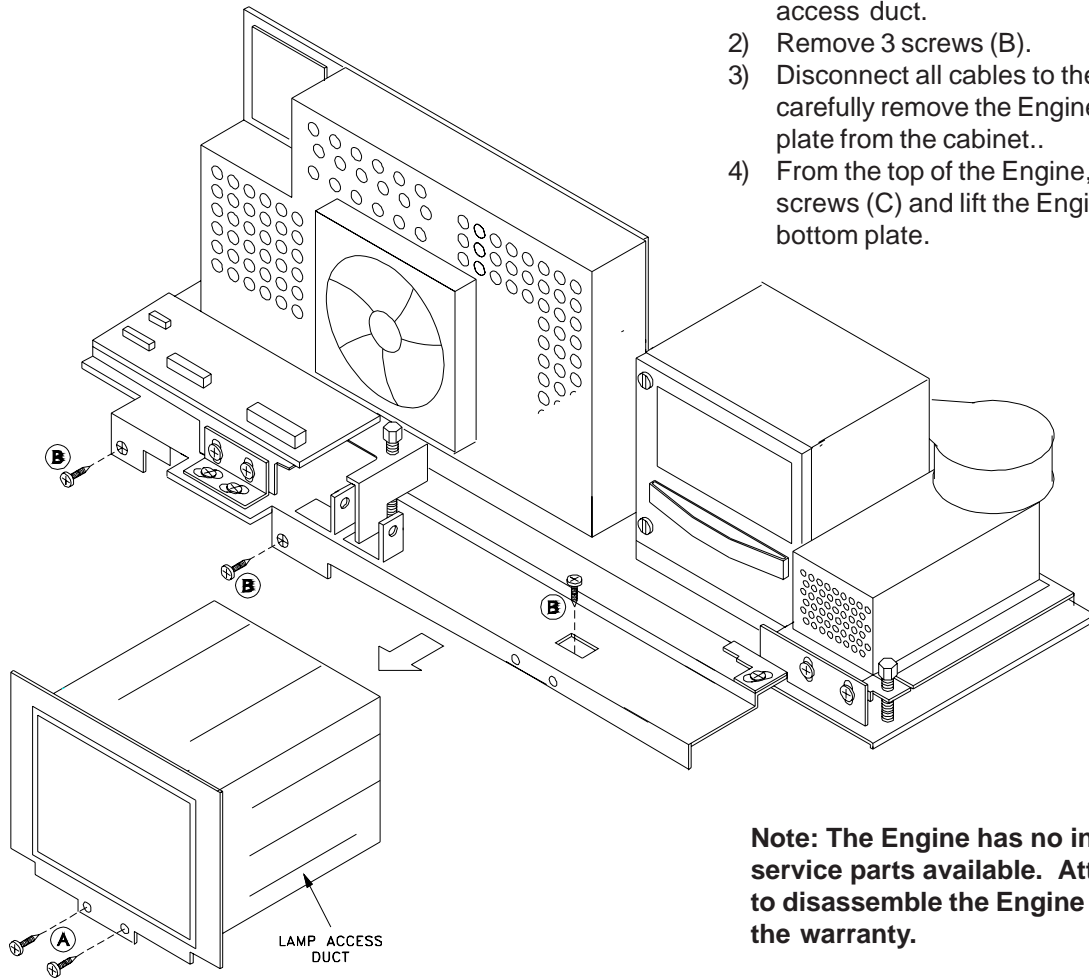
After Replacing Engine
Copy Engine Data to DM
 Refer to data transfer on page 32.



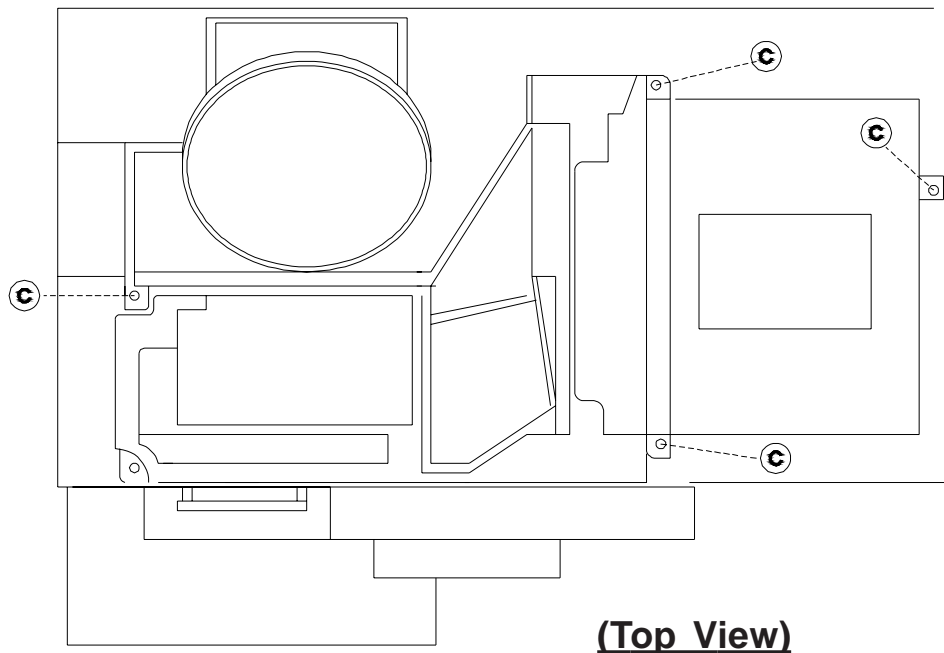
NOTE: After Engine replacement, verify the foam gasket around the lens is properly positioned and that it does not block the light path. The side portholes of the cabinet can be used for visual confirmation. The portholes can also be used to clean the lens, mirror and screen.

“73” Engine (xHD4) Removal

- 1) Remove 2 screws (A) to remove the Lamp access duct.
- 2) Remove 3 screws (B).
- 3) Disconnect all cables to the engine and carefully remove the Engine and bottom plate from the cabinet..
- 4) From the top of the Engine, remove 4 screws (C) and lift the Engine from the bottom plate.



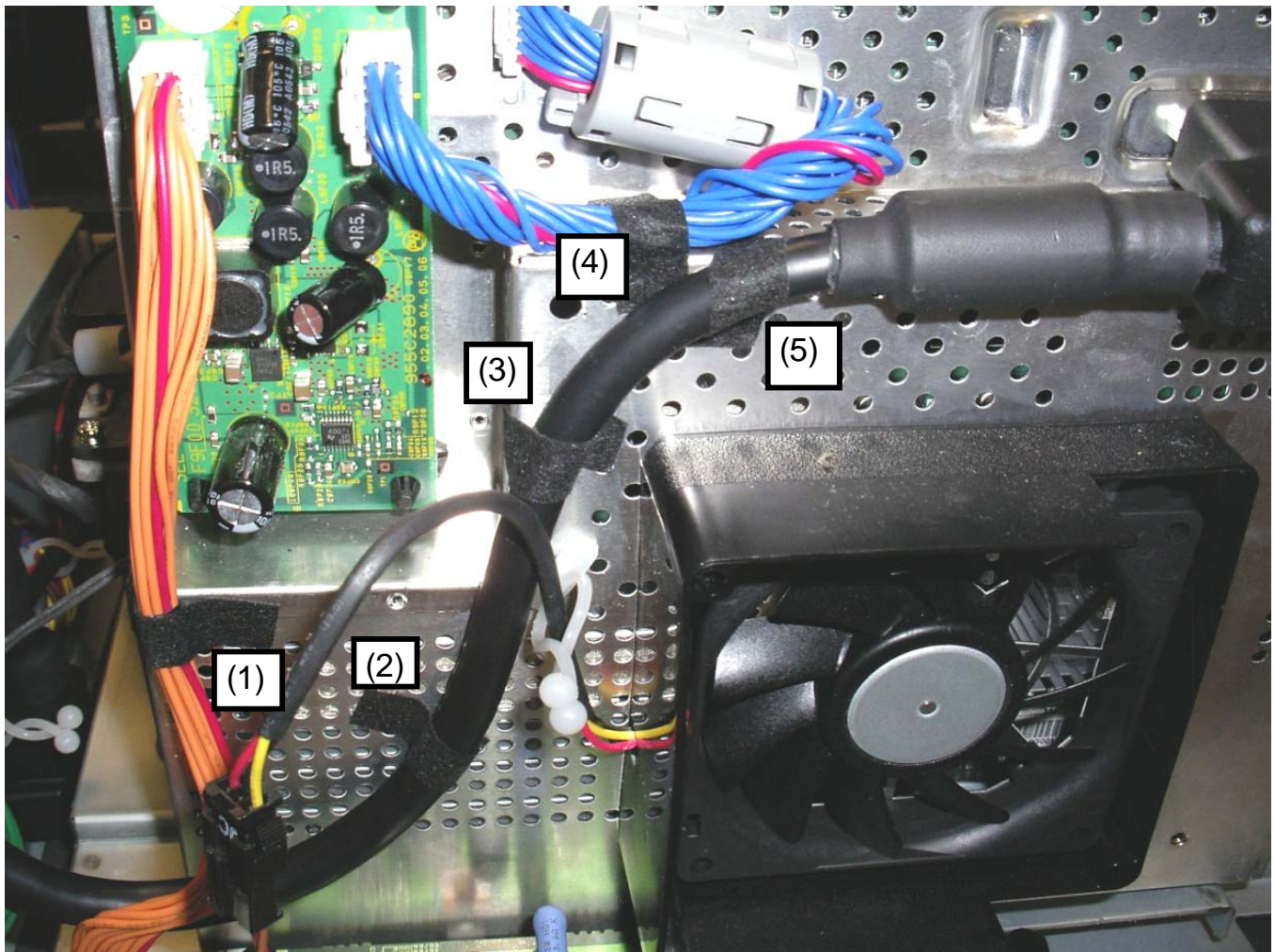
Note: The Engine has no individual service parts available. Attempting to disassemble the Engine may void the warranty.



Installing the “73” Engine

- 1) Reverse the “73” Removal Procedure.
- 2) To minimize any interference, tape the cables to the Engine at the 5 points shown below.
(Use TAPE-CABLE Part# 620D082080)

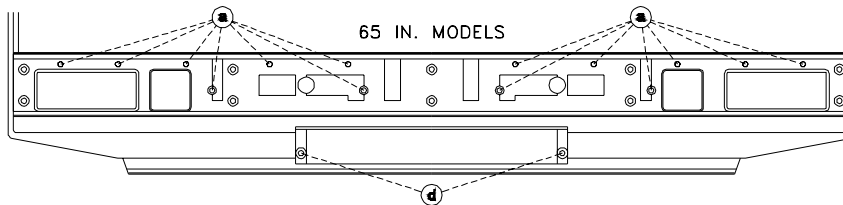
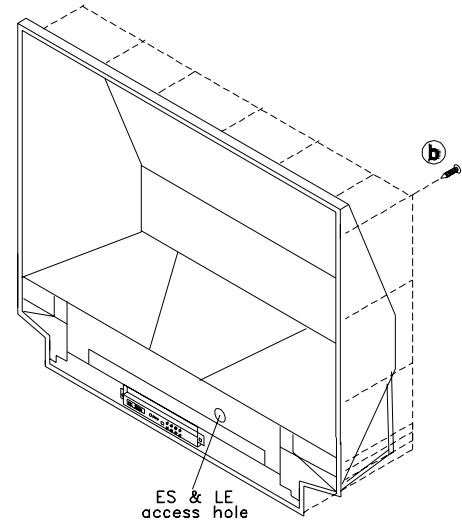
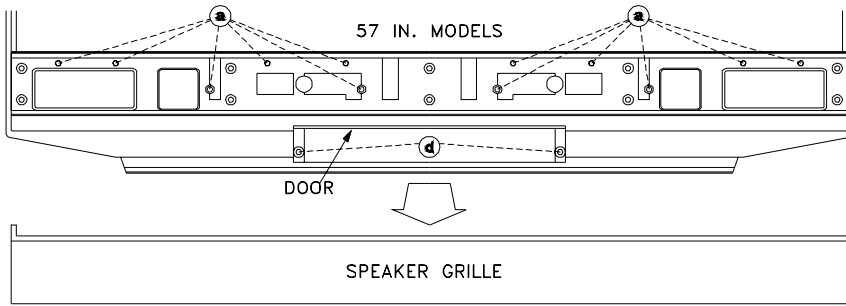
After Engine replacement, perform the Data Transfer Procedure “Copy Light Engine E2PROM to DM” described on page 33.



57" and 65" Models Front Disassembly

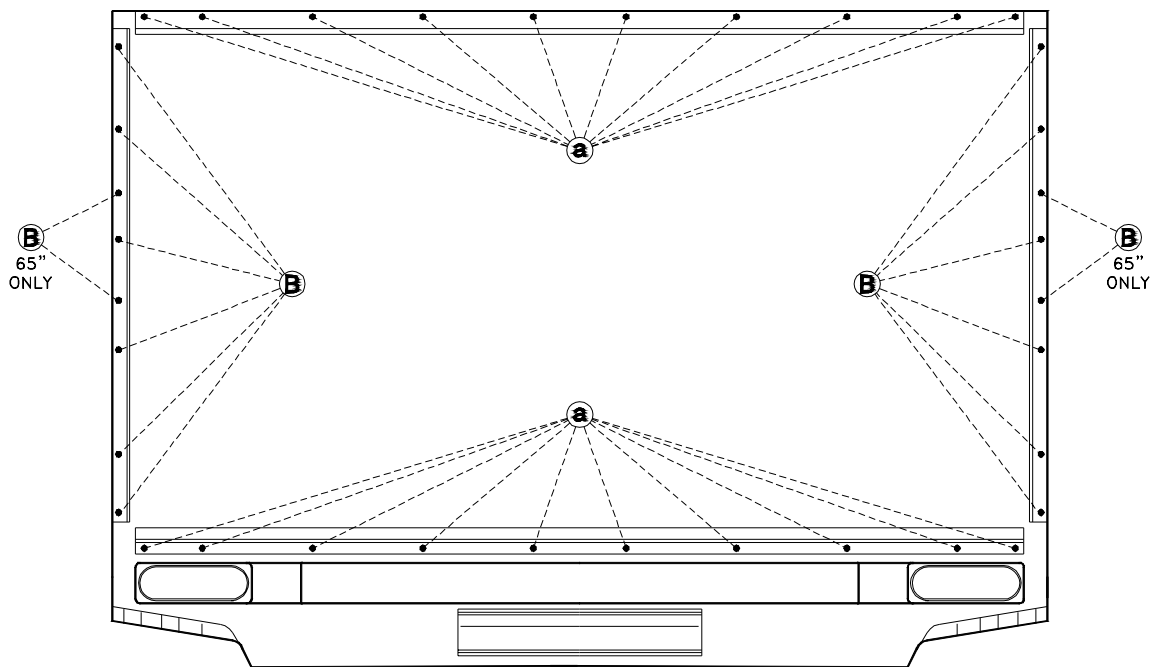
57" & 65" Models Screen Frame Removal

- 1) Pull off the Speaker Grille.
- 2) Remove all the screws (b) from the upper rear cover (except one at an upper corner to support the frame).
- 3) Remove screws (a) from the front of the screen frame.
- 4) Remove the remaining screw (b) (supporting the frame).
Carefully pull the Screen Frame from the TV and disconnect the ES and LE connectors.



57" & 65 Models Screens Removal from Frame

- 1) From the rear of the Screen Frame remove screws (a) from the top and bottom rails.
- 2) Remove screws (b) from each side rail and remove the side rails with cushions..
- 3) Carefully lift the Screen assembly from the Frame.



Screen Frame (Rear View)

57" and 65" Models Screen Replacement

CAUTION: Wear gloves when handling the Lenticular Screen and Fresnel Lens. This prevents cuts and finger prints. **Do not place Fresnel Lens in the sun.** This may cause fire and heat related injuries.

Lenticular Screen and Fresnel Lens Removal

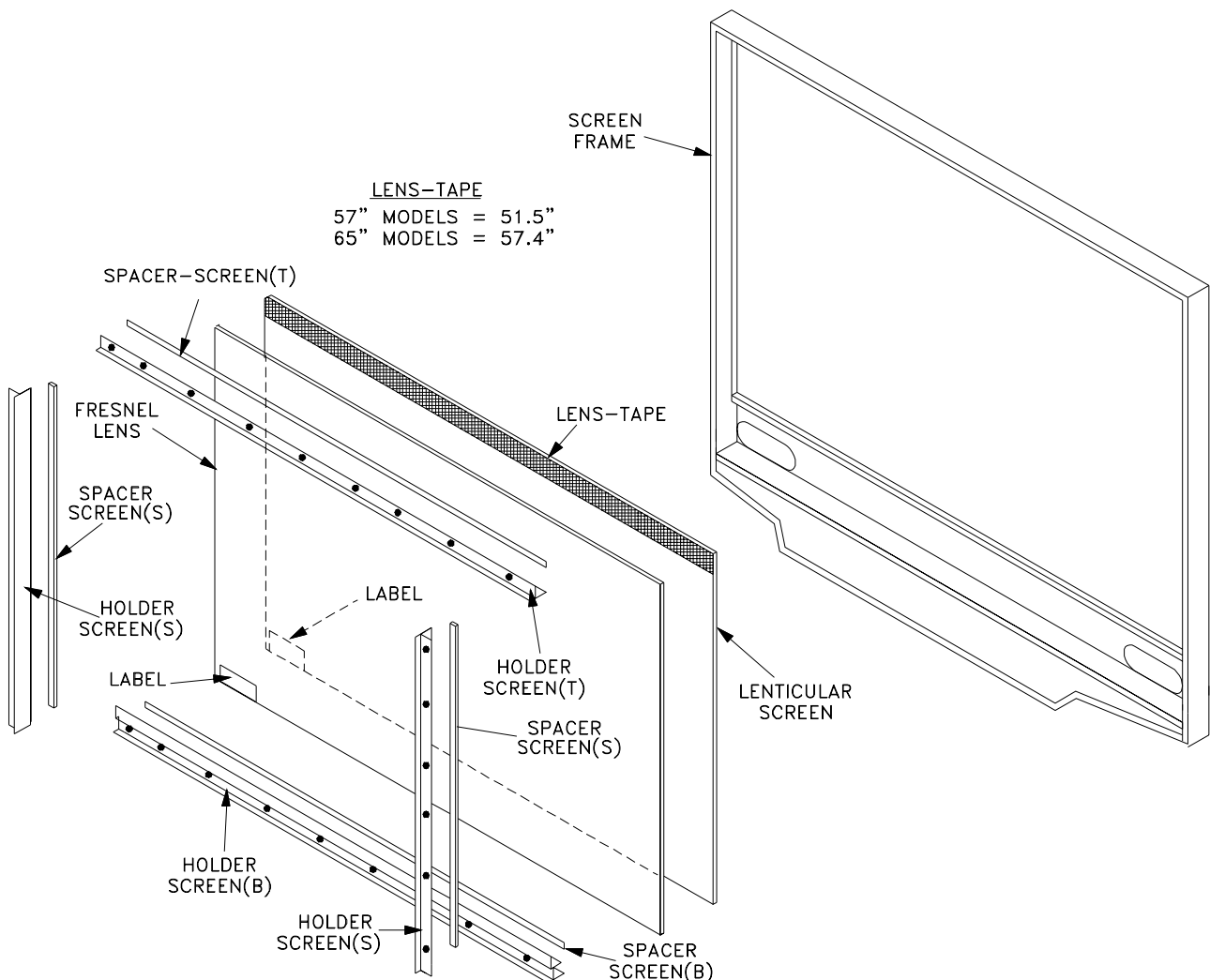
- 1) Remove the top, bottom and side HOLDER-SCREEN rails and their cushions from the Screen Frame.
- 2) Lift the screens as a single unit from the frame.
- 3) Separate the Lenticular Screen and Fresnel Lens.

Note: When separating the Lenticular Screen from the Fresnel Lens, use caution while prying the Screen and Lens apart. Use a slot type screw driver, and remove the pressure sensitive double sided tape.

Lenticular Screen and Fresnel Lens Replacement

- 1) Apply LENS-TAPE along the rear top edge of the Lenticular Screen.
- 2) Place the Fresnel Lens on top of the Lenticular Screen, and apply pressure along the top edge.
- 3) Place the screens in the screen frame and reinstall the cushions, top, bottom and side rails.

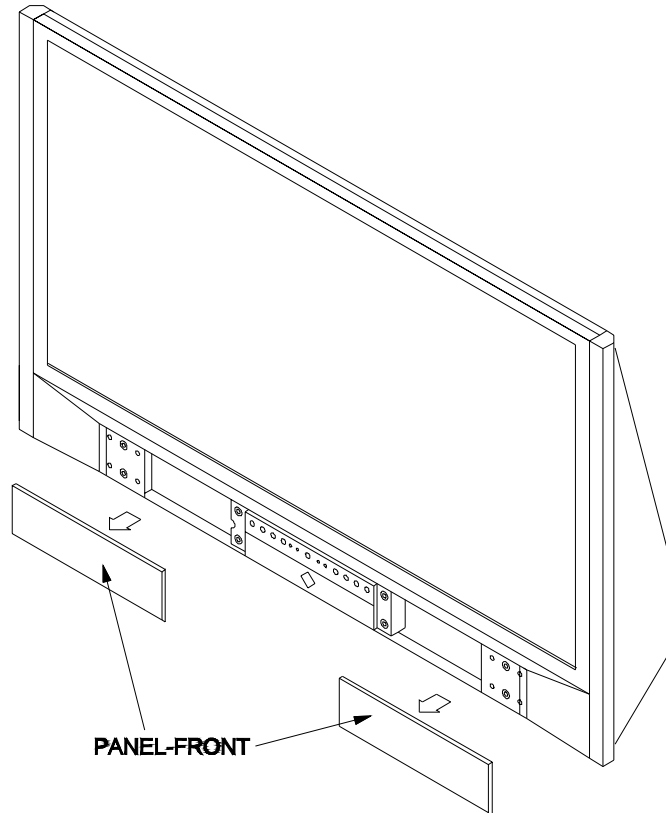
NOTE: The Lenticular Screen label must face the front and the Fresnel Lens label must face the rear.



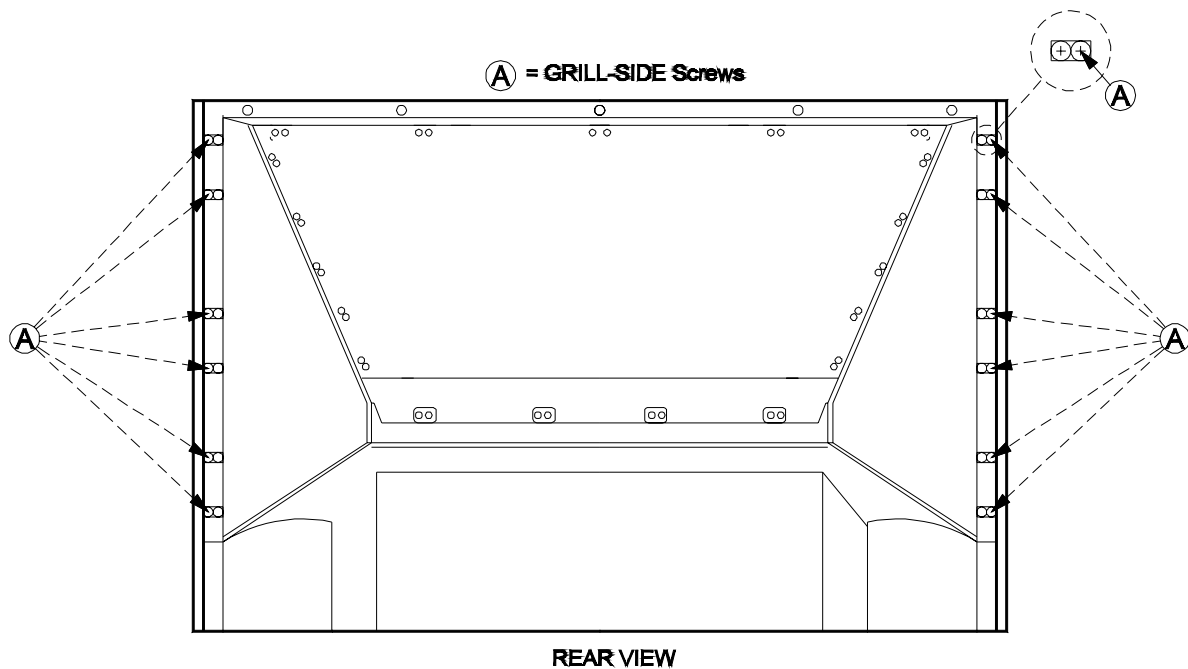
WD-73732 Front Disassembly

FRONT DISASSEMBLY PROCEDURE

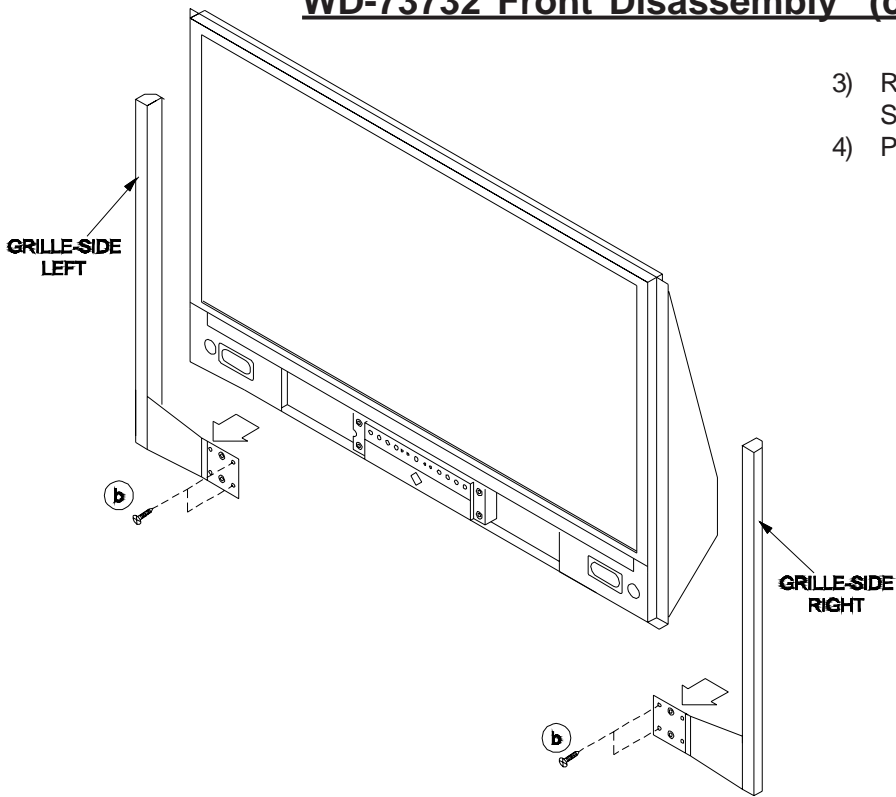
- 1) Pull the two PANEL-FRONTs from the cabinet.



- 2) From the rear, remove the six GRILL-SIDE panel screws (A) on each side (outer screws).



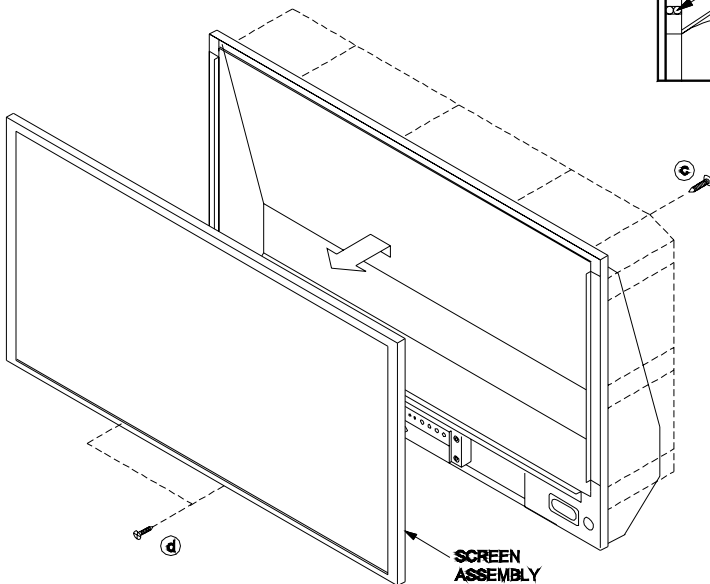
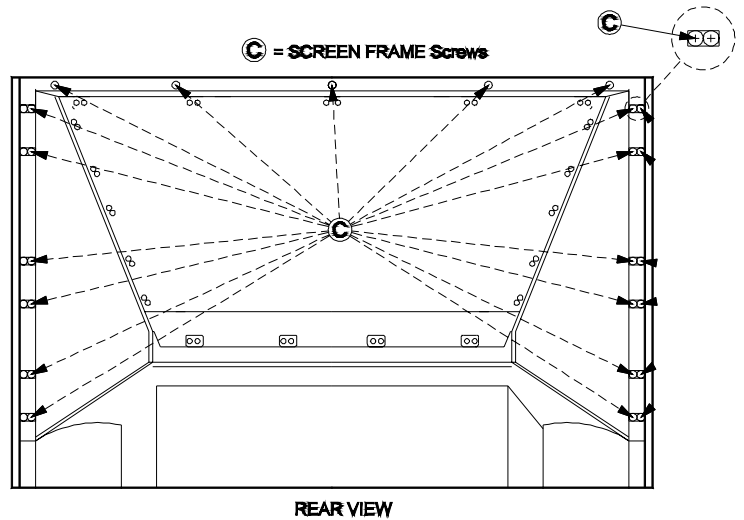
WD-73732 Front Disassembly (continued)



- 3) Remove two screws (b) from the GRILLE-SIDE LEFT and GRILLE-SIDE RIGHT
- 4) Pull the two GRILLE-SIDES from the unit.

SCREEN-ASSY REMOVAL

- 1) From the rear, remove 17 screws (C), 5 along the top and 6 (inner screws) on each side.
- 2) From the front, remove two screws (d) on the bottom on the SCREEN-ASSY.
- 3) Lift the SCREEN-ASSY slightly and pull it away from the TV.



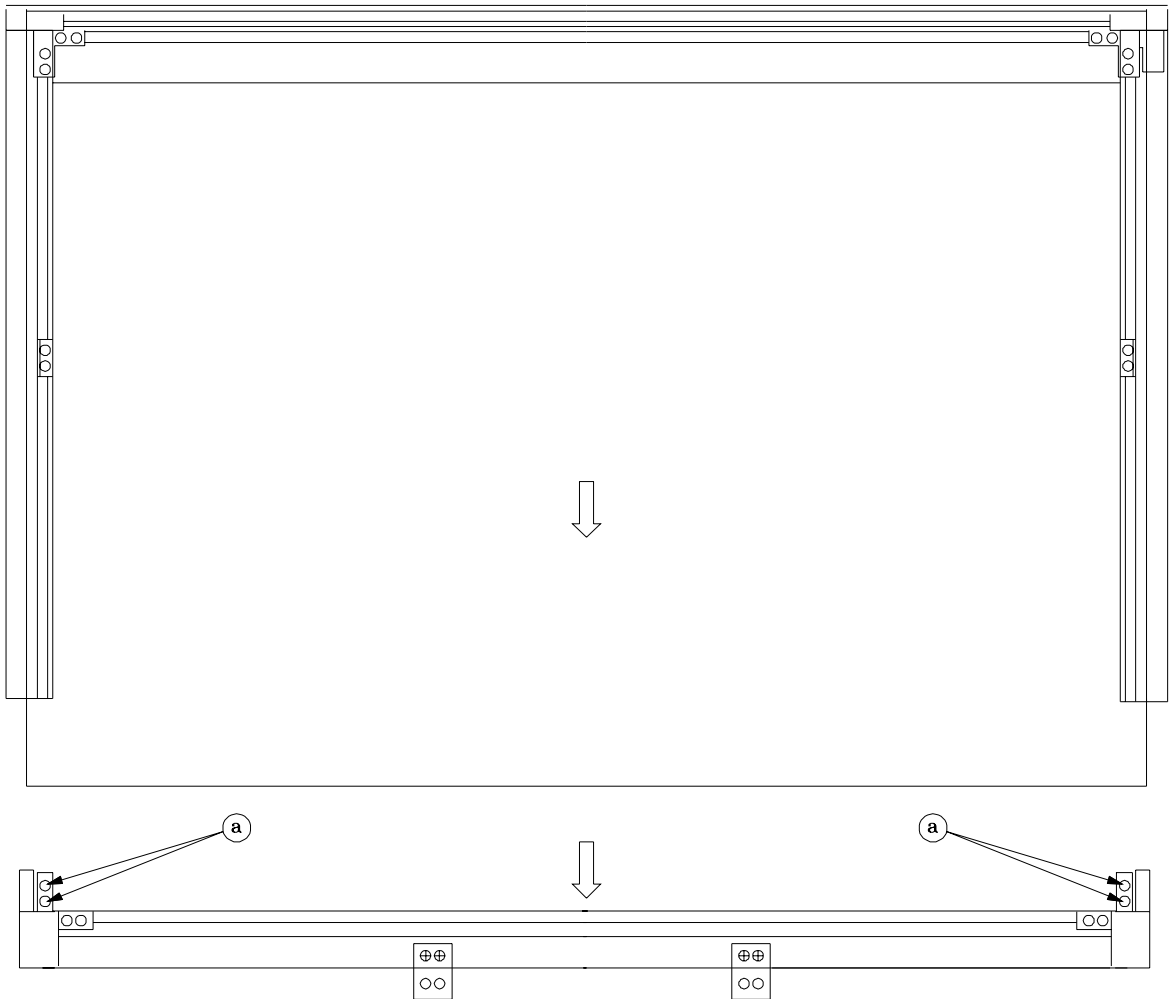
73" MODELS SCREEN REMOVAL & REPLACEMENT

CAUTION: **Wear gloves** when handling the Lenticular Screen and Fresnel Lens.
This prevents cuts and finger prints. **Do not place Fresnel Lens in the sun.**
This may cause fire and heat related injuries.

Lenticular Screen and Fresnel Lens Removal

1. Remove the screen assembly as shown in the Cabinet Disassembly procedure.
2. Remove the four screws (a) to remove the bottom of the SCREEN-FRAME-BOTTOM .
3. From the rear of the screen assembly, carefully slide the Lenticular Screen and Fresnel Lens combination from the Screen Frame.

Note: When separating the Lenticular Screen from the Fresnel Lens, use caution while prying the Screen and Lens apart. Use a slot type screw driver, and remove the pressure sensitive double sided tape.

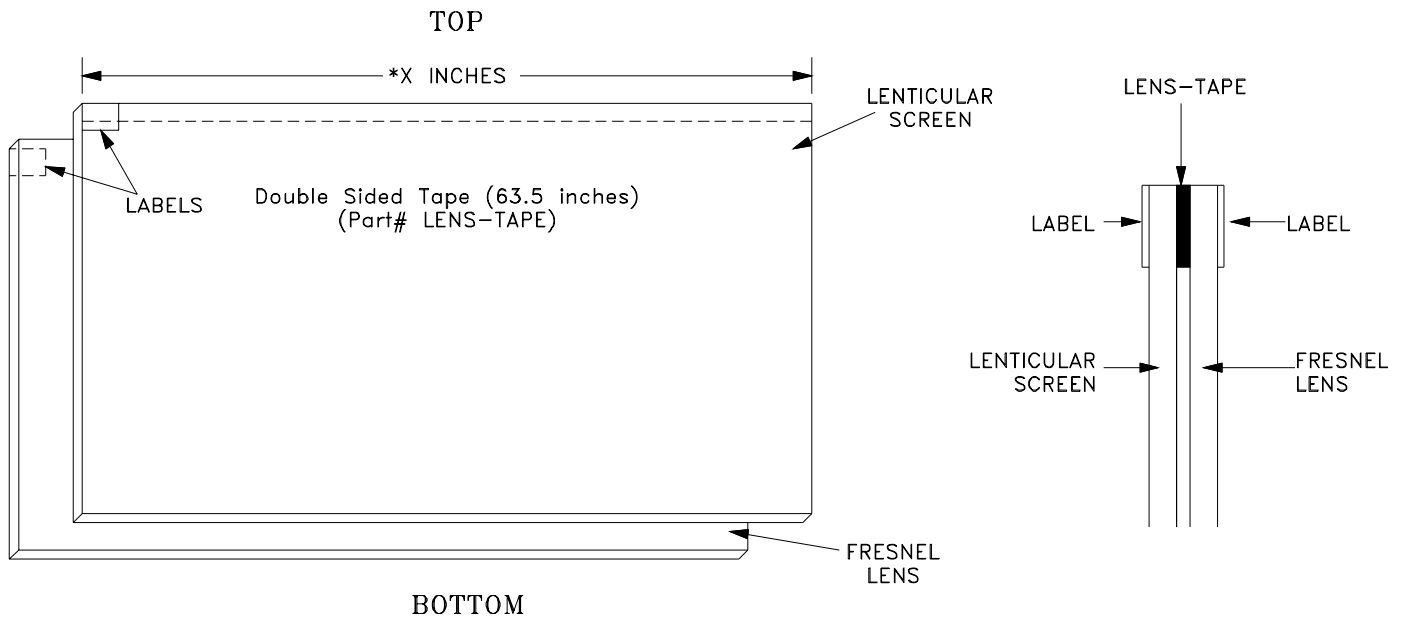


73" SCREEN REMOVAL & REPLACEMENT (continued)

Lenticular Screen and Fresnel Lens Installation

Note: Store the Lenticular Screen and Fresnel Lens in a cool dry place. High humidity may deform the Lenticular Screen and Fresnel Lens.

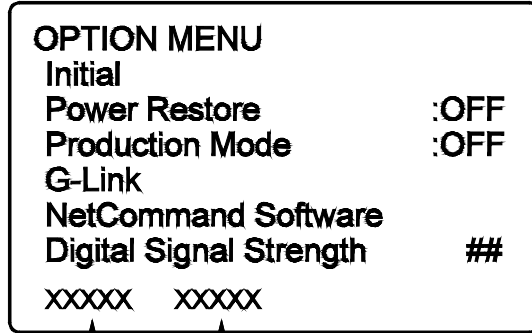
1. Apply double coated tape (Part #LENS-TAPE) along the top rear edge of the Lenticular Screen, as shown below.
2. Sandwich the Fresnel Lens and Lenticular Screen together. The Lenticular Screen label must be towards the front and the Fresnel Lens label towards the rear.
3. Apply pressure at the top edge to bond the screens together.
4. Reverse the Screen Removal procedure and insert the screens in the Screen Fame Assembly.



OPTION MENU

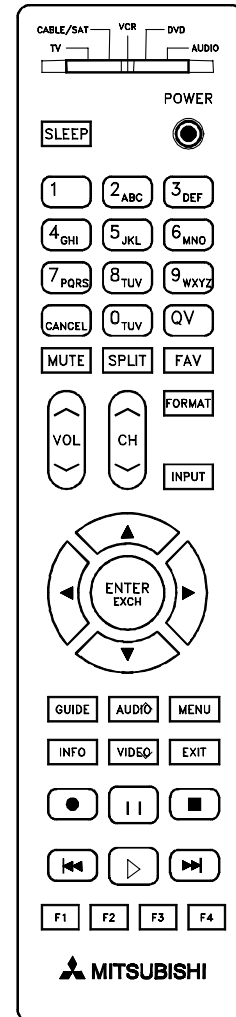
1. Press the "MENU" button on the remote hand unit.
2. Press the buttons "2", "4", "7" and "0" in order.
(The screen will change to the option menu.)

MENU-2-4-7-0



Total On Time

V33+ REMOTE CONTROL



V33+ Remote Button Name Changes

Original Name	New Name
HOME	EXIT
PIP/POP	SPLIT
SQV	FAV
DEVICE	INPUT

Digital Signal Strength

1. Tune to a Digital Channel
2. From the Option menu scroll down and highlight Digital Signal Strength
3. Press Enter

Example using CableCARD on ANT1

Signal Quality Index (0-100)	Tuner 0	Tuner 1	OOB Tuner
Frequency(MHz):	597	0	75.2
Signal Level:	8	0	0
Modulation:	256 QAM	Unknown	
Carrier Lock:	Locked	Unknown	Locked
SQI:	100	0	
SNR:	34.3	0	23.77
Correctable errors:	0	0	
UnCorrectable errors:	0	0	

SNR Recommended Levels:

- VSB = 15 to 35
- 64 QAM = 22 to 34
- 256 QAM = 27 to 37

Front Panel Initialization

While the unit is ON, pressing the **FORMAT** and **INPUT** buttons simultaneously will immediately start the Initialization sequence. The TV will reboot once the initialization sequence is completed. Front Panel Initialization will reset ALL user settings to the factory setting.

SERVICE TIP:

Many customer generated symptoms, intermittent symptoms or no symptom found can be resolved by system reset or initialization. Before visiting the customer's home ask the customer 1st to try the System Reset button on the control panel and if this does not resolve the issue, then they can use the front panel initialization by pressing the **FORMAT** and **INPUT** buttons simultaneously

NOTE: During Initialization, the set will reboot. Wait until the Power LED stops flashing before unplugging or powering ON the TV.

RESET / INITIALIZE GUIDE

Reset Name	When to use	How to use	Resulting Action
Remote Control TV Layer Reset	Returns the remote control TV layer to normal operation.	(1) Set the slide switch to TV position. (2) Press and hold the POWER button until it flashes twice then release the button. (3) Enter the code 0 0 9 3 5 .	Once the valid code has been entered and confirmed, the remote control has been reset.
Remote Control TV Volume/Mute functions	Returns the volume and mute functions of the remote control to TV volume and mute for TV, Cable/Sat, VCR and DVD layers after the audio lock for AV Receivers feature has been used.	(1) Set the slide switch to TV position. (2) Press and hold the POWER button until it flashes twice then release the button. (3) Enter the code 9 9 3 VOL UP .	The remote will now operate the TV's volume and mute when the slide switch is in the TV, CABLE/SAT, VCR or DVD positions.
A/V Memory Reset, single input	When the audio and or video settings for a single input seems to incorrect	MENU --> Audio/Video--> AV Reset	All Audio and Video settings for the individual input are reset except for the <i>Listen To and Language</i> , <i>audio Balance</i> and <i>Closed Caption</i> settings.
A/V Reset, all inputs	To reset audio and video adjustments for all inputs to the original factory settings.	While viewing the TV, press the front panel buttons GUIDE and FORMAT at the same time.	All Audio and Video settings including <i>Listen To and Language</i> , <i>Closed Captions</i> settings and <i>Format</i> settings are returned to the original factory settings.
System Reset	To reset the TV when it does not turn on or off, does not respond to the remote control, front panel buttons or has audio but no video.	Press the SYSTEM RESET button on the front panel with a pointed object such as the point of pencil or end tip of a paperclip.	The changes you made most recently, before using the SYSTEM RESET , may be lost. Changes you made previously, however, are not lost.
TV Reset	To reset all customer settings	Press MENU-1-2-3-ENTER	All customer settings except V-Chip are reset.
Initialize - User Level	To reset all consumer adjusted settings and memories to the original factory defaults.	Press FORMAT and INPUT buttons on the front control panel at the same time.	All memories and settings outlined in the Owner's Guide will need to be set again.
Initialize - Service Level	To reset all consumer adjusted settings and memories to the original factory defaults.	MENU + 2470 . Highlight INITIALIZE and press ENTER	All memories and settings outlined in the Owner's Guide will need to be set again. Also erases V-CHIP password
Factory Restore	To recover from data/adjustment errors in the ISF menu	MENU + 2457 + 0 . Highlight RESTORE FACTORY DEFAULTS and press ENTER	All service, user, ISF data is set back to factory defaults.

INITIAL DEFAULT SETTINGS

Setup Menu		Record to		Lock Time	
Language (Idioma)	English	Duration	1 hr.	Unlock Time	12:00pm
Memorize Channels	--	Start Time	--	Front Panel Lock	Off
Ant1 Air	--	Day	--	Audio/Video	
Ant1 Cable	--	Record List	--	A/V Memory Reset	Ant-1
Ant2 Air	--	Channel		Settings	
Ant2 Cable	--	Antenna	1	Audio	
Clock		Channel	2	Bass	50%
Clock Setting	Manual	Memory	Added	Treble	50%
Time	12:00PM	Name	Blank	Balance	50%
Date	1/1/2006	FAV	Blank	Surround	Off
Time Zone	Eastern	Signal Strength	(Depends on digital source)	Listen To (Analog Only)	Stereo
Daylight Savings	Applies	Captions Menu		Level Sound	On
Timer	Gray out	Analog Captions	On if Mute	Language (Digital Only)	English
Timer	Off	Background	Gray	Video	
Day	Daily	Digital Captions	On if Mute	Picture Mode	Retail
Time	12:00PM	Appearance	Default	Contrast	100%
Device	ANT-1	Digital Settings		Brightness	50%
Channel	2	Font	Font 3	Color	50%
Demo mode	Grey out (mode off)	Size	Large	Tint	50%
Software Version	V33 XXX.XX	Color	White	Sharpness	50%
Clear Thought Menu		Background	Black	Retail Color Temp	High
Edit	Review	Opacity	Translucent	Perfect Color	Perfect color
Input Name	--	Parent Lock Menu		Perfect Tint	Manual center
Input-1	--	U.S Ratings		Deep Field Imager	On
Input-2	--	US Ratings	Off	SharpEdge	Fixed On
Input-3	--	TV Rating	TV-PG	(DefineEdge)	
Comp-1	--	FV-Fantasy Violence	unchecked	Video Noise	Off
Comp-2	--	D-Sexual Dialog	unchecked	Video Mute	On
Comp-3(V33+ only)	--	L-Adult Language	unchecked	TV Speakers	On
HDMI-1	--	S-Sexual Situations	unchecked	Film Mode	Auto
HDMI-2	--	V-Violence	unchecked	TV Volume	30%
AV Receiver Setup	Off, Learn&Connect buttons grayed out	Programs Not Rated	unchecked	DW Source	ANT 1 002
Icon Order	Ant-1, Ant-2, Input-1/2/3, Comp-1, Comp-2, Comp-3	Movie Rating	PG	DW Position	Right half
	HDMI-1/2, PC, Card 1/2/3/4	V-Chip Time		PIP/POP Format	Double Window
PC DVI	Digital	Start	12:00pm	Format	
		Stop	12:00pm	Ant-1,2 (480I/480P)	Stretch
Record		Other Ratings		Ant-1,2 (HD Digital)	Standard
Record		Other ratings	Off	Input-1,2,3	Standard
Channel	2	Rating Group	TBD	Comp-1,2,3	Standard
		Rating	TBD	HDMI-1,2 (Video)	Standard
		Lock by Time	Off	1394 Devices	Standard
				Card Reader Video (V33+ Only)	Standard
				DVI-I PC	Standard

A/V Memory

A/V Memory	Ant 1/2	INPUT 1/2/3	COMP 1/2/3	1394 (conneted)	HDMI 1/2 (Video)	DVI-I (PC)	CARD READER
Picture Mode	Brilliant	Brilliant	Brilliant	Brilliant	Max	n/a	Max
Contrast	Max	Max	Max	Max	Max	Max	Max
Brightness	Center	Center	Center	Center	Center	n/a	Center
Color	Center	Center	Center	Center	Center	n/a	Center
Tint	Center	Center	Center	Center	Center	n/a	Center
Sharpness	Center	Center	Center	Center	Center	Center	Center
Color Temp.	High	High	High	High	High	High	High
Perfect Color	Manual/Center	Manual/Center	Manual/Center	n/a	Manual/Center	n/a	Manual/Center
Perfect Tint (V33+ Only)	Manual/Center	Manual/Center	Manual/Center	n/a	Manual/Center	n/a	Manual/Center
Deep Field Manager (V33+ only)	On	On	On	On	On	n/a	On
Video Noise	Standard	Standard	Standard	n/a	Standard	n/a	n/a
Film Mode (Auto)	On	On	On	n/a	On	n/a	n/a
Sharp Edge	On	On	On	On	On	n/a	On
Bass	Center	Center	Center	Center	Center	Center	Center
Treble	Center	Center	Center	Center	Center	Center	Center
Balance	Center	Center	Center	Center	Center	Center	Center
Surround	Off	Off	Off	Off	Off	Off	Off
Listen To		n/a	n/a	n/a	n/a	n/a	n/a
Level Sound	On	On	On	On	On	On	On
Language (Digital Only)	English	n/a	n/a	English	n/a	n/a	English
Vertical Position	n/a	n/a	n/a	n/a	n/a	Center	n/a
Horizontal Position	n/a	n/a	n/a	n/a	n/a	Center	n/a
Fine Detail	n/a	n/a	n/a	n/a	n/a	Center	n/a

A. A/V Memory

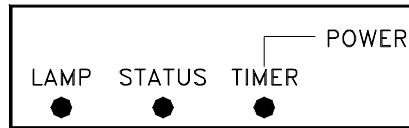
Each of the external inputs has its' own Audio/Video Memory. A change in an A/V setting at a specific input is stored in memory for that specific input.

B. A/V Reset

1. Pressing the front panel "GUIDE" and "FORMAT" buttons at the same time initializes all A/V Memories.
2. The AV Reset in the user's menu initializes only the selected input's A/V Memory.

LED Indicator Diagnostics

The front panel LEDs provide an indication of the sets operation, and the possible cause of a malfunction. There are three front panel LEDs, "Power", "Status" and "Lamp". Which LED is lit, the color and whether it is blinking or steady indicate the current status, or a possible malfunction.



NORMAL LED INDICATIONS

Power/Timer Indicator	Status Indicator	Lamp Indicator	Condition
Off	Off	Off	Off (standby)
Blinking green fast	Off	Off	Initialization (10 – 65 seconds)
Off	Off	Blinking green fast	Lamp cooling for 1 min after PTV off
Green	Off	Off	Power On
Blinking green	Off	Off	Power On Timer is set

ABNORMAL LED INDICATIONS

Power/Timer Indicator	Status Indicator	Lamp Indicator	Condition
Off	Yellow	Off	High Temperature - check ventilation air flow. (Temperature sensor is disconnected.)
Off	Off	Blinking yellow	Lamp cover is open.
Off	Off	Red*	Lamp failure (Lamp fails to turn on) (Lamp turns off after lighting) Lamp is broken
Off	Blinking Red	Off	Fan Stop
Off	Red.	Off	Circuit failure. (Run Error Code Check)

* A red Lamp LED only occurs after 3 attempts to light the Lamp. Each attempt (pressing POWER) must be at least 65 seconds apart. During each attempt ballast striking may be audible.

3. Error Code Operational Check

Note: The TV must be in "Shut Down" and not have been switched Off, to perform the Error Code Operational Check. When the TV is switched Off, the code automatically resets to "12" No Error.

Pressing the front panel "INPUT" and "MENU" buttons at the same time, and holding for 5 seconds, activates the Error Code Mode. The LED flashes denoting a two digit Error Code, or indicating no problem has occurred since the last Initialization.

Note: The front panel buttons must be used, NOT those on the Remote Control.

- The number of flashes indicates the value of the MSD (tens digit) of the Error Code.
- The flashing then pauses for approximately 1/2 second.
- The LED then flashes indicating the value of the LSD (ones digit) of the Error Code.
- The Error Code is repeated a total of 5 times.

Example: If the Error Code is "23", the LED will flash two times, pause, and then flash three times.

4. Error Codes

The Error Code designations indicating malfunction, or no malfunction, are listed in the Table.

ERROR CODES

Code	Description
12	No Error found
32	Lamp cover is open.
34 ⁽¹⁾	Lamp turns Off while the TV is playing. (Lamp failure) (Lamp Enable signal from engine is lost)
35	DM fan failed. (73" only)
36	Lamp ballast fan failed.
37	Engine (DLP) fan failed.
38	Lamp temperature abnormally high.
39	DMD temperature abnormally high.
42	Lamp fan failed.
44	Check for disconnected DVI cable between PWB-DM and Engine.
46	DT connector (DMD Temperature sensor) disconnected. (73" only)
47	Temperature of DM is too high.
48	Engine power supply short is detected.
57 ⁽²⁾	Ballast communication problem (ballast to chassis)
58	Signal Short is detected
59	DM short is detected
61 ⁽³⁾	No LAMP-EN output from the engine to the ballast
66 ⁽⁴⁾	Lamp did not turn on at P-ON sequence (No Lamp inserted) (Disconnected cable between ballast and lamp) (Lamp-Enable goes to DM but not to Ballast)

Code 34⁽¹⁾ - Lamp Enable is generated to activate the Lamp

Code 57⁽²⁾ - Lamp Enable is generated during P-ON sequence, but no Lamplit signal is received from the Ballast.

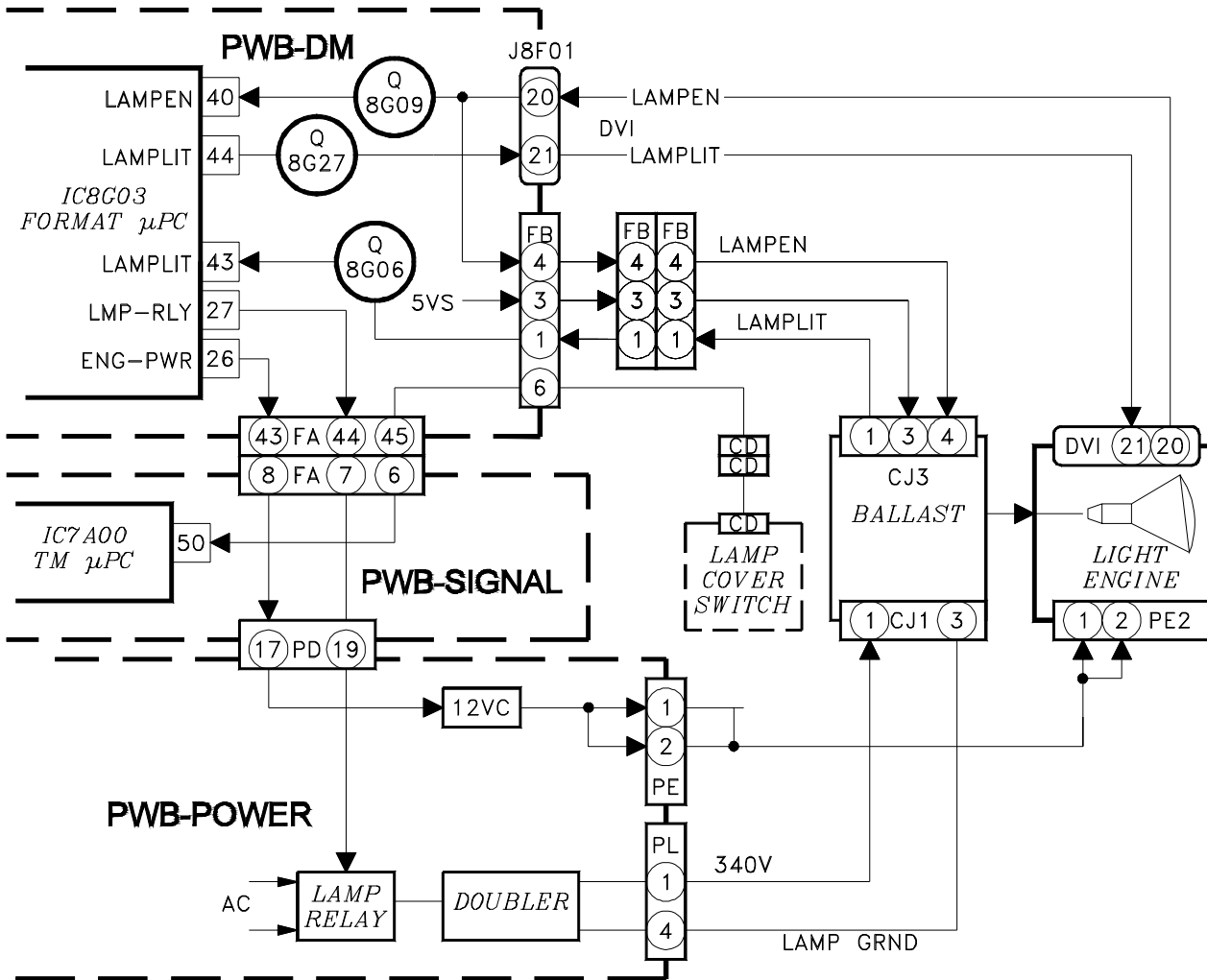
Code 61⁽³⁾ - No Lamp Enable is received at the DM and Ballast.

Code 66⁽⁴⁾ - Lamp enable is received at the DM but not at the Ballast.

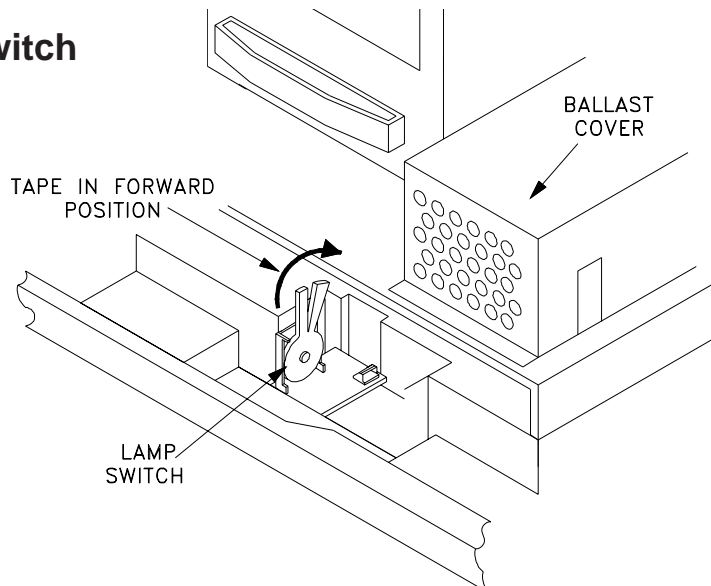
57" & 65" Models Lamp Troubleshooting

Use the above Error Code table, Lamp Control Block diagrams below, and the Troubleshooting charts on the following pages to determine the cause of a Lamp problem.

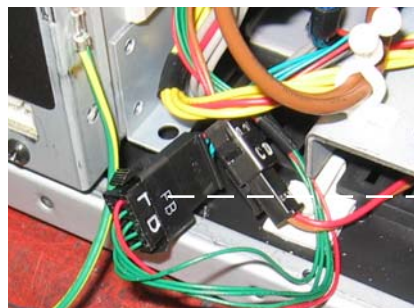
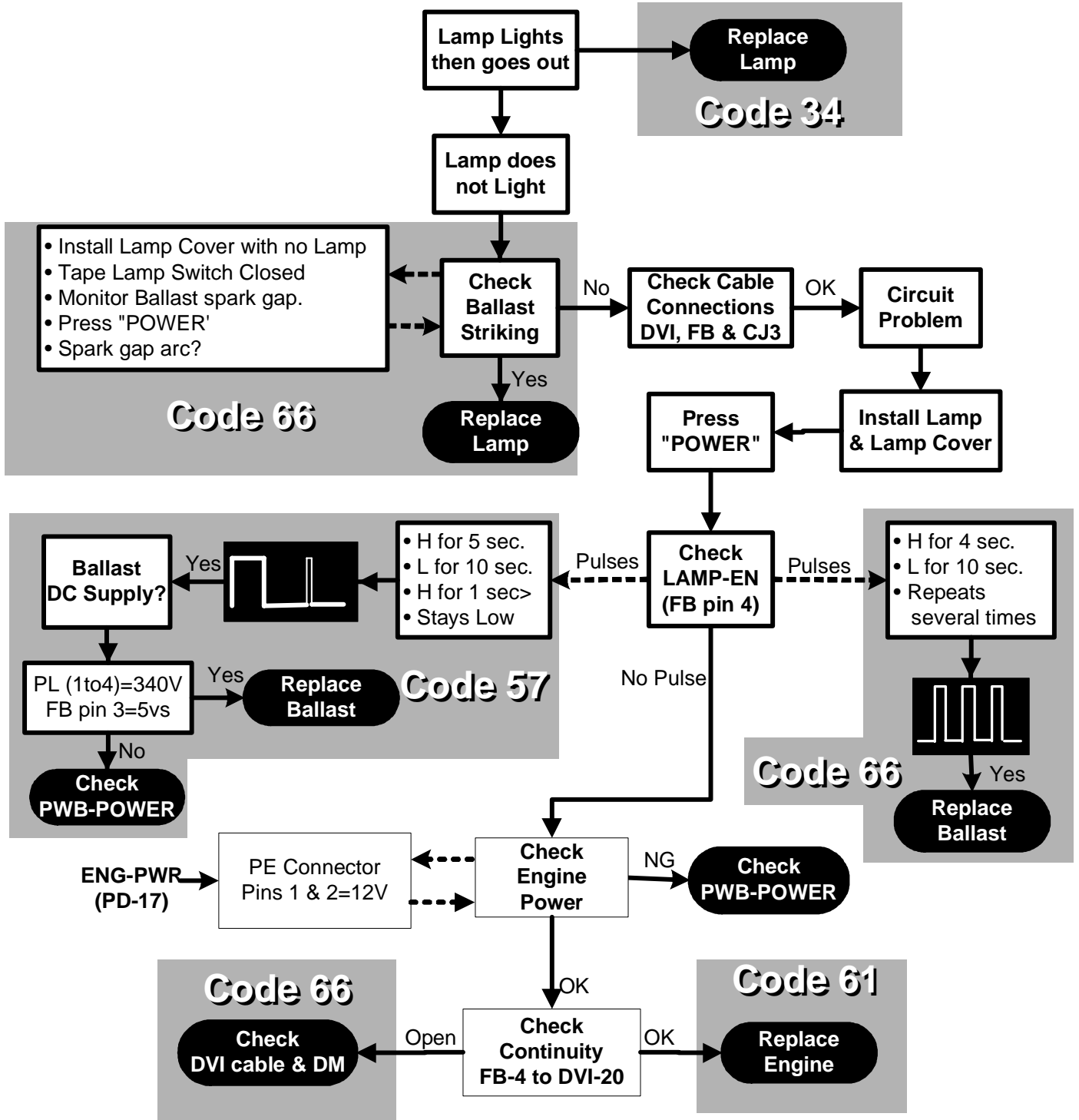
57" & 65" Lamp Control Circuitry



Disabling 57" & 65" Lamp Switch (after rear cover removal)

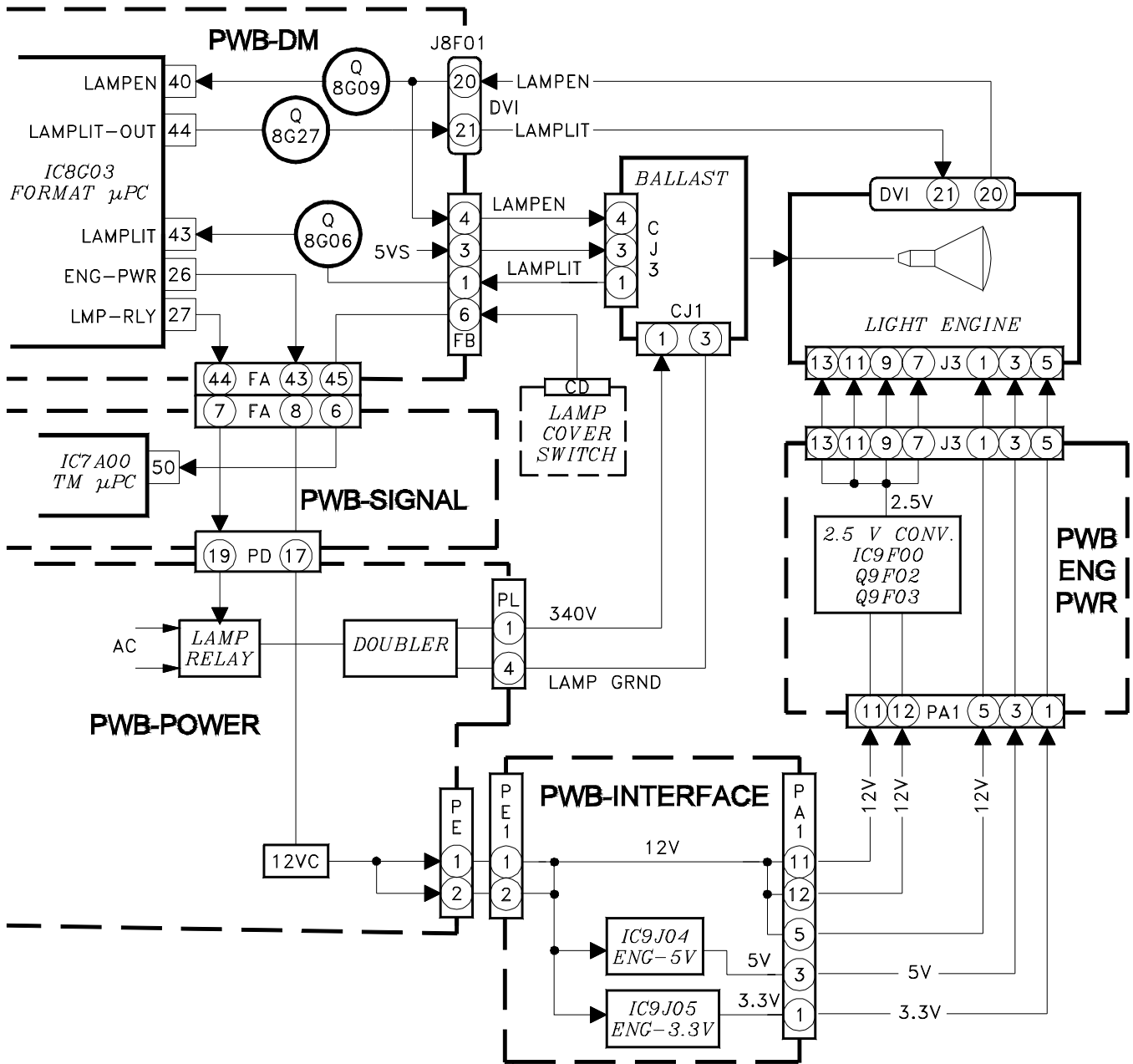


57" & 65" Models Lamp Troubleshooting Chart

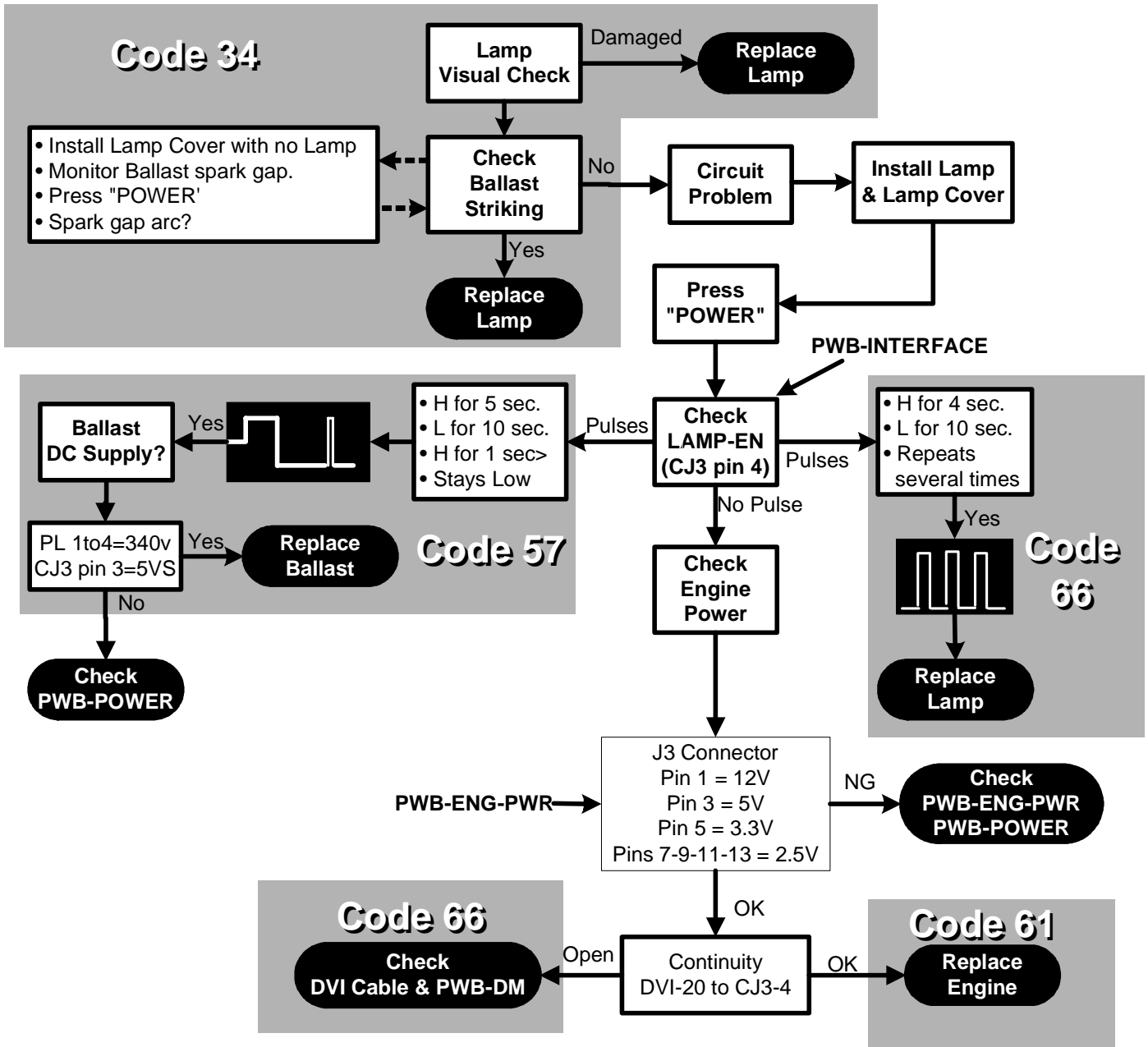


FB Interconnect

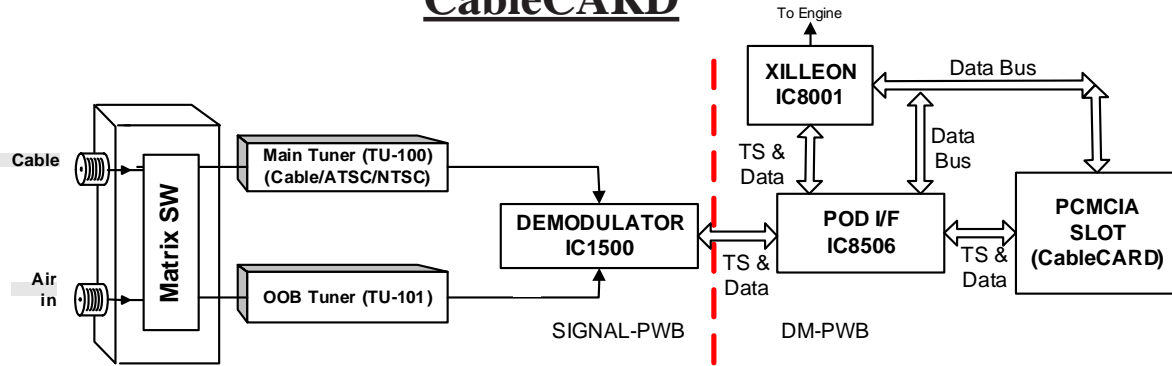
73" Models Lamp Control Circuitry



73" Lamp Troubleshooting Flow Chart



CableCARD



Cable providers send QAM64 and/or QAM256 through the coax cable to the TV's tuner. Once converted to IF it is demodulated to an MPEG transport stream (TS). If a card is present in the PCMCIA slot the TS will be passed to the card and returned back to IC8506 and then finally sent to the Xilleon processor. If there is no card present in the card slot and the tuner is tuned to a QAM channel the TS will pass directly from the POD interface IC directly to the Xilleon for processing.

Cable providers typically have both encrypted and non-encrypted channels. If the Xilleon receives an encrypted TS it will ask the CableCARD to unscramble the stream. The card will only unscramble the TS if it receives the proper authorizations to do so. Those authorizations are received via Out-of-Band data (OOB). The OOB contains information about authorizations, channel maps and more.

	SYMPTOM	POSSIBLE CAUSE(S)	POSSIBLE RESOLUTIONS
1	No channel map appears when pressing guide button (TVGuide disabled)	Cable is not connected to ANT1 -or- OOB data is not received correctly	1) Verify cable is connected to ANT1 2) Re-install/Replace CableCARD 3) Verify signal level and signal noise level 4) Contact Service Provider 5) Check TU101 for proper function/Replace Signal PWB
2	Channel map does not change after card is installed. (still showing basic cable map)	CableCARD is not 'Initialized' within the service providers system.	Contact service provider
3	Host ID screen does not appear	Signal and information not received by TV	1) Verify cable is connected to ANT1 2) Re-install CableCARD 3) Replace CableCARD 4) Verify signal level and signal noise level
4	Error code received on screen. Error codes are listed such as 161-x	Communication between TV and card is lost or disrupted	1) Pull card from TV and wait 5 minutes. Then reinstall the card and verify it is initializing properly. 2) Press INPUT & FORMAT keys on the front panel. 3) Replace CableCARD with new card 4) Try 3rd CableCARD 5) Replace DM-PWB
5	Individual channel cannot be received. (example HBOHD is no video and no audio but other HBO channels are OK)	The TV has no means to block individual channels. Proper authorization is not received.	Contact service provider
6	Certain tier of channels is not received. (example: Premium channels or all HD channels not received)	Authorizations to display scrambled channels are sent via OOB data.	Contact service provider
7	Unable to tune to a channel. (example: Pressing 1055 has no response and stays on current channel)	1055 is not available in the channel map. Channel map is sent via OOB from the service provider.	Verify OOB is locked. If OOB is locked, verify channel should be received. If not locked, troubleshoot for OOB failure on SIGNAL PWB and/or with service provider.
8	When using SA card channels changing automatically and random message about upgrade in process. (Channels are often like 10,000 to 50,000)	CableCARD firmware is out of date and being upgraded by service provider.	If this process continues more than 60 minutes, contact the service provider for updated card
9	Periodically encrypted channels become unavailable.	Card is hung	Unplug card or AC or perform initialize
10	Only Analog channels can be viewed. All digital/encrypted channels are unavailable	Proper authorization is not received or TV cannot display digital video	1st test for QAM clear channel (often network channels are provided free), if no QAM clear channel is available remove the card and memorize channels. Verify that a digital channel can be viewed. If known digital channel cannot be viewed suspect SIGNAL
11	ChannelView does not list program content or channel call letters	This information is provided in the form of OOB data tables and is sent at the discretion of the service provider	Contact service provider

SERVICE ADJUSTMENTS

There are only 4 Service Adjustments required in these models:

Two Electrical Adjustments

- Horizontal Centering
- Vertical Centering

Two Mechanical Adjustments

- Picture Rotation
- Vertical Keystone Distortion

Measuring equipment and Jigs

- No additional Test Equipment is required.
- Conventional Electrical Hand Tools.

Test signal

An internally generated Test Signal is used, no additional external signals are required.

Circuit Adjustment Mode

On these models, the Circuit Adjustment Mode is used only for:

- Test Signal activation
- Horizontal Centering
- Vertical Centering the following adjustments may only be performed using the remote hand unit.

1. Activating the adjustment mode

1. Press the "MENU" button on a remote hand unit.
(The "MENU" display will appear.)
2. Press the buttons "2", "4", "5" and "7" in that order.
(The screen will change to the adjustment mode.)
If not changed to the adjustment mode, repeat steps 1 and 2.

2. Test Signal Activation

When in the Circuit Adjustment mode, press "REWIND" on the remote control to activate the test pattern. This pattern is used for both electrical and mechanical adjustments.

3. Adjustment Function Selection

Use the "AUDIO" button to select a specific Adjustment Function.

NOTE: The only Service Function on these chassis is the "fmt" function.

3. Adjustment Selection

Use the "VIDEO" button to select a specific electrical adjustment, "1 HPOS" or "2 VPOS".

4. Adjusting Data

After selecting an adjustment item, use the "UP" and "DN" buttons to change adjustment data.

^a If the "UP" button is pressed, the adjustment data increases.

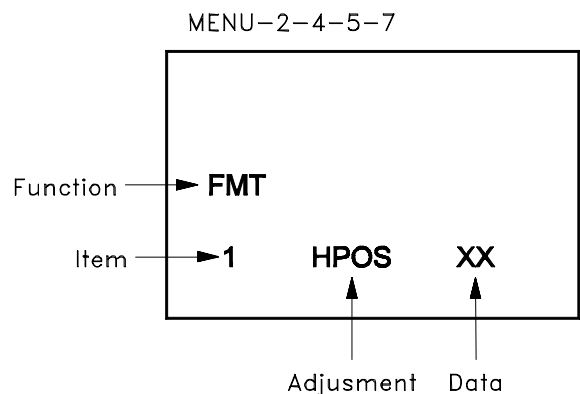
^a If the "DN" button is pressed, the adjustment data decreases.

5. Saving data

Press "ENTER" to save the adjustment data in memory.

The display characters go red for approx. one second in this step.

Note: If the circuit adjustment mode is terminated without pressing "ENTER", changes in adjustment data are not saved.



6. Terminating the circuit adjustment mode

Press the "MENU" button on the remote hand unit twice to terminate the adjustment mode, or press "EXIT" once.

Note: The adjustment mode can be also terminated by turning the power off.

Data Transfer

- 1) Enter the Service Adjustment Mode ... Press "MENU-2-4-5-7"
- 2) Press "0" when in the Service Mode ... Three choices appear at the top of the screen.

DATA TRANSFER

Display	Description
Copy Engine E2PROM to DM	Transfers Engine data to DM E2P (after DM or Engine replacement)
Restore factory data	Restores factory set values
DOWNLOAD WB ALIGNMENT TO FMT	Copies WB data from E2P to FMT (after PWB-DM replacement)

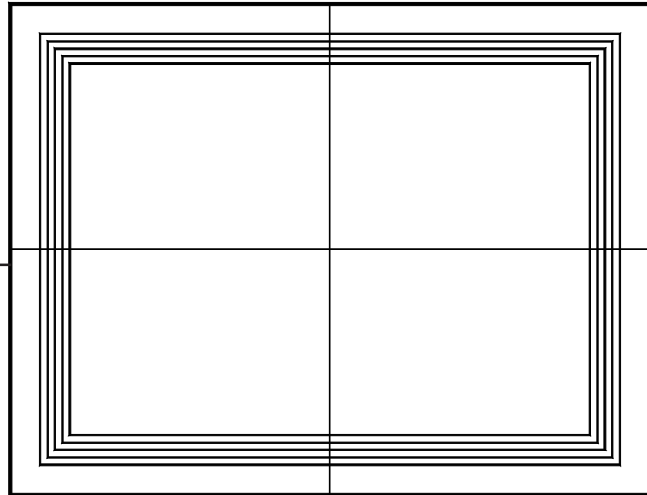
- 3) User UP & DN keys to highlight the desired choice, then Press "ENTER"

Optical Engine Adjustments

Test Signal Activation

- 1) Press "MENU-2-4-5-7" (Service Mode)
- 2) Press "FF/FWD" (Test Pattern).

Red = 4% overscan
White = 5% overscan
Green = 6% overscan
Cyan = 7% overscan
Yellow = 10% overscan

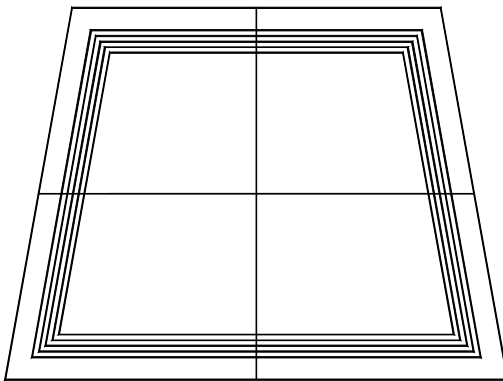


Required Tools

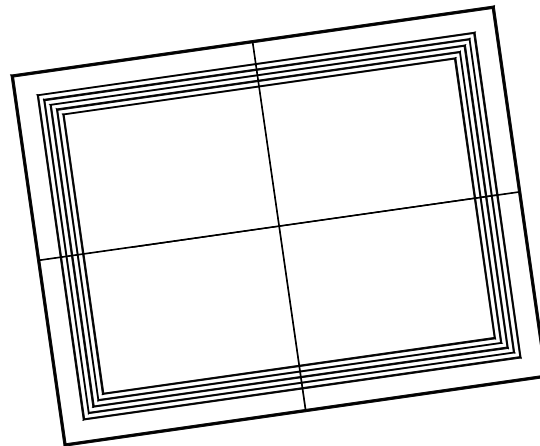
Metric Hex Wrenches

Preliminary

The only disassembly required to perform Optical Engine mechanical adjustments is the rear cover removal. There are only two mechanical adjustments vertical keystone and picture rotation. Adjustments are made using the internal test pattern shown above.



**VERTICAL KEYSTONE
ADJUSTMENT**



**ROTATION
ADJUSTMENT**

57 INCH AND 65 INCH MODELS Optical Engine Adjustments

Adjustment Procedure (57" & 65")

- 1) Remove rear cover.
- 2) Tape the Lamp Switch closed (*Figure 1*)
- 2) Activate the internal Test Pattern "MENU-2-4-5-7" then press "FF/FWD".
- 3) Refer to *Figure 2* and loosen Locking Screws [A-1] through [A-4].

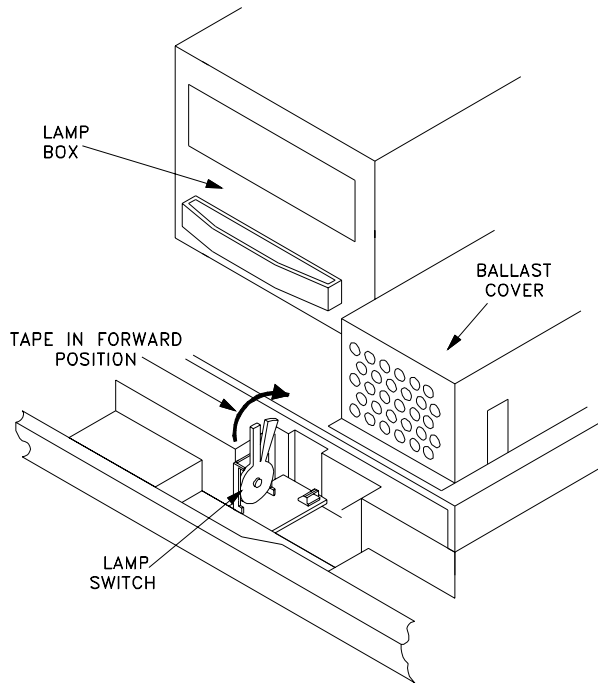


Figure 1: Lamp Switch

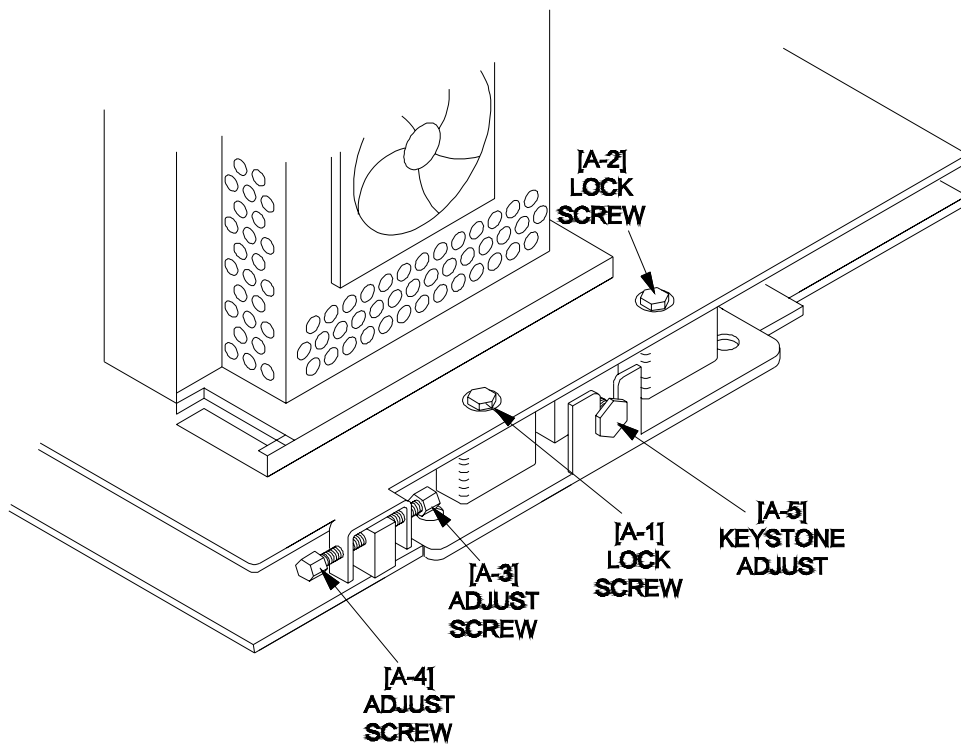
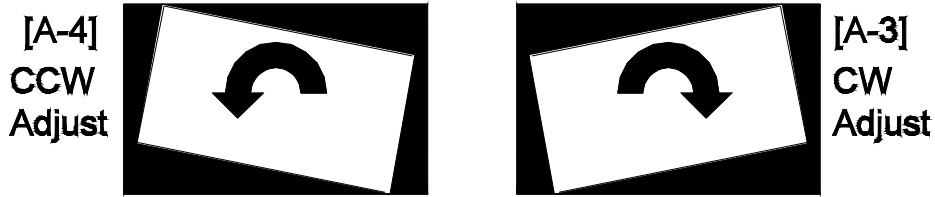


Figure 2: Locking Screws

Rotation Adjustment (57" & 65")

- Adjust [A-4] to rotate the picture clockwise.
- Adjust [A-3] to rotate the picture counter clockwise.

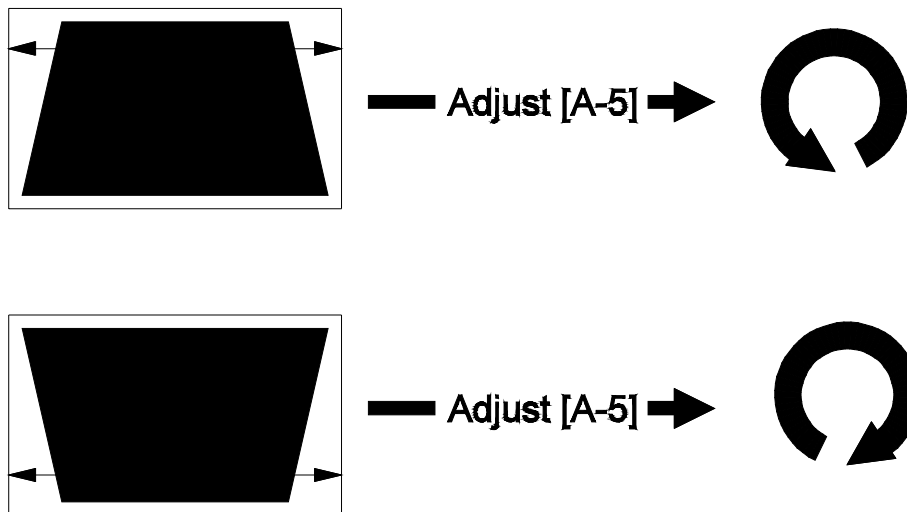


Vertical Keystone Adjustment (57" & 65")

Rotate [A-5] to remove any vertical keystone distortion.

- Rotate [A-5] counter clockwise to increase width at the top of the picture.
- Rotate [A-5] clockwise to increase width at the bottom of the picture.

NOTE: Picture vertical position may shift during keystone adjustment



After Making Adjustments:

- 1) Tighten locking screws [A-3] and [A-4], hand tighten only.
- 2) Tighten locking screw [A-1]. Torque to 25Kg/cm ±5Kg/cm.
- 3) Tighten locking screw [A-2]. Torque to 25Kg/cm ±5Kg/cm.

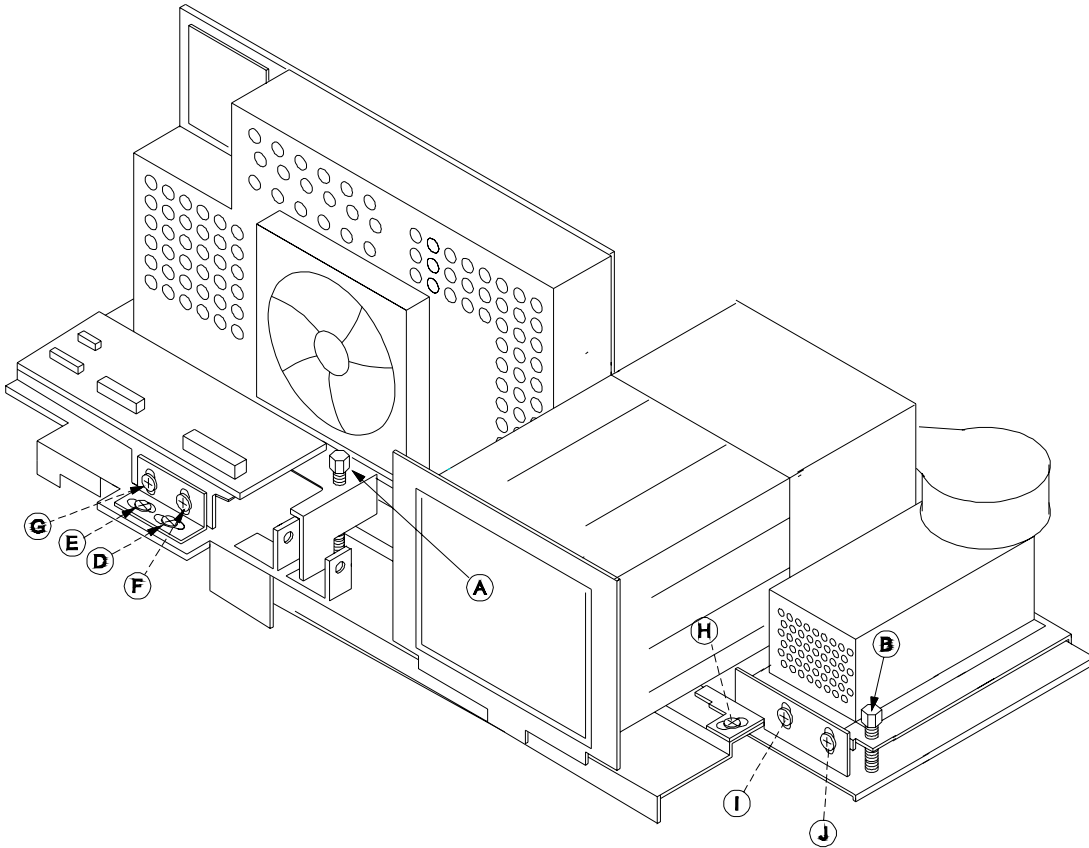
73 INCH MODEL (WD-73732)

Light Engine Adjustments

Adjustment Procedure (73 inch models)

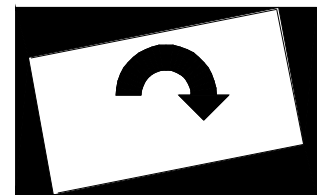
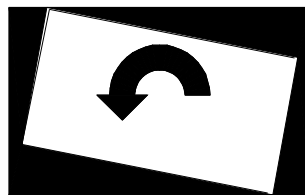
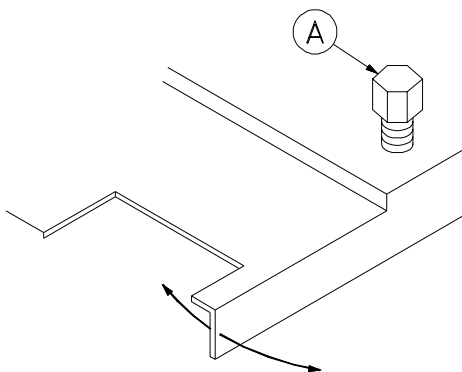
NOTE: Set the TV on an flat level surface.

- 1) Remove rear cover.
- 2) To activate the internal Test Pattern press "MENU-2-4-5-7" then press "FF/FWD".
- 3) Refer to the diagram below and loosen lock screws (D), (E), (F), (G), (H), (I) and (J)
- 4) Picture Rotation is adjusted by manually moving the Engine.
- 5) (A) is the vertical keystone distortion adjustment
- 6) (B) adjusts horizontal Keystone distortion.



73" Rotation Adjustment

- 1) Loosen locking screws (D) through (J).
- 2) Manually move the Engine to remove any picture rotation.



73" Vertical Keystone Adjustment

- 1) Loosen locking screws (D) through (J).
- 2) Adjust (A) for minimum vertical keystone distortion.

ADJUST (A) CCW

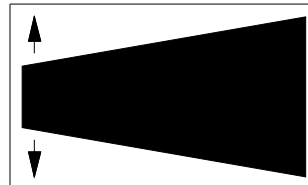
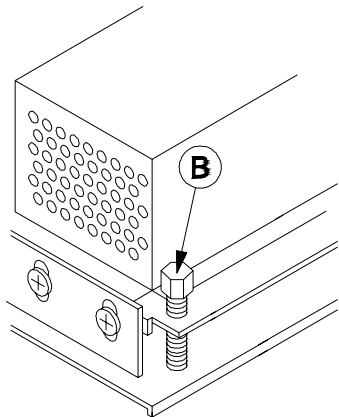


ADJUST (A) CW

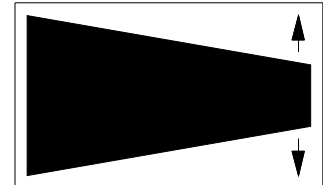


73" Vertical Keystone Adjustment

- 1) Loosen locking screws (D) through (J).
- 2) Adjust (B) for minimum horizontal keystone distortion.



● ADJUST (B) CCW



● ADJUST (B) CW

After adjustment...

Tighten the locking screw in the following order D-E-F-G-H-I-J.

NOTE: If the picture position shifts during mechanical adjustments perform the following positioning adjustments.

Electrical Adjustments

[Format Circuit]		Purpose: To center the picture on the screen.
Horizont/Vertical Position Adjustment		Symptom: Picture is off center.
Measuring		<ol style="list-style-type: none"> 1. Press "MENU-2-4-5-7", activates the Service Mode.. 2. Select the "FORMAT" function (AUDIO button). 3. Press "REWIND", activates the Overscan Test Pattern 4. Select "Item 1" HPOS (VIDEO button). 5. Use the ADJUST buttons to center the picture horizontally. 6. Press ENTER to save the new setting. 7. Select "Item 2" VPOS (VIDEO button). 8. Use the ADJUST buttons to center the picture vertically. 9. Press ENTER to save the new setting. 10. Press MENU to exit the Service Mode.
Test Point	----	
Ext. Trigger	-----	
Measuring	-----	
Input Signal	Internal Test Pattern.	
Input Termi-	Video	



Using Lead Free Solder

The above symbol indicates Lead (Pb) Free solder was used during the construction of PWBs. **Only Lead Free solder** should be used when servicing these PWBs.

Solder must be compatible with that used by the manufacturer. Leaded solder can not be used on PWBs manufactured with Pb-free solder. The Mitsubishi standard for service requires the use of Tin-Silver-Copper (Sn-96.5, Ag-3.0, Cu-0.5). It can be obtained through the Parts Department.

Order part number: **PB FREE SOLDER**

Lead Free solder has a higher melting point, and does not “wet” as well as leaded solder. This means it does not adhere as readily to the solder iron tip, and the surface to be soldered. To counteract this, the flux used is more corrosive.

The following cautions must be taken when using Pb Free solder.

- Higher temperatures can cause the PWB to warp, detaching surface mount components.
- Higher temperatures may cause thermal damage to components.
- Higher temperatures can cause plastics, such as connectors, relays, LEDs electrolytic capacitors, etc. to melt or warp.
- Higher temperatures can cause surface oxidation resulting in poor solder spread-ability and wet-ability.
- The flux is more corrosive.

- The time required for a good solder connection may take longer.
- Poor wet-ability can cause solder balls.
- Higher temperatures can cause flux spattering.
- Soldering iron tip life is shortened.
- Dull finish solder joints (not shiny) can appear to be a “cold” solder joint.

In general a tip temperature of 700° F will usually provide good results.

Displays used to indicate Pb-free

PCBs will be marked, indicating the level of Pb-free construction. *Table 1* defines the levels by phase and shows the different symbols that will be displayed on the PCB. Additionally, a PCB constructed using Pb-free solder may be simply marked **LFS**.

When possible, the indication will be placed close to the part number that is screened onto the PCB (not the part label). *Figure 1* is an example of a PCB showing the display and its location.

Pb-Free Phase	Definition	Display	Short Display (When the area is too small)
Phase-1	PCB's constructed using Pb-free solder.	<u>Solder</u>	<u>S</u>
Phase-2	Solder, PCB surface finishing and component lead plating is Pb-free. Components may have internal Pb.	<u>Joints</u>	<u>J</u>
Phase-3	Solder, PCB surface finishing and components are Pb-free. (100% Pb-free)	<u>PCA</u>	<u>P</u>

Table 1: Pb-Free Phases and Symbols



Figure 2: Pb-Free display on PWB

CHIP PARTS REPLACEMENT

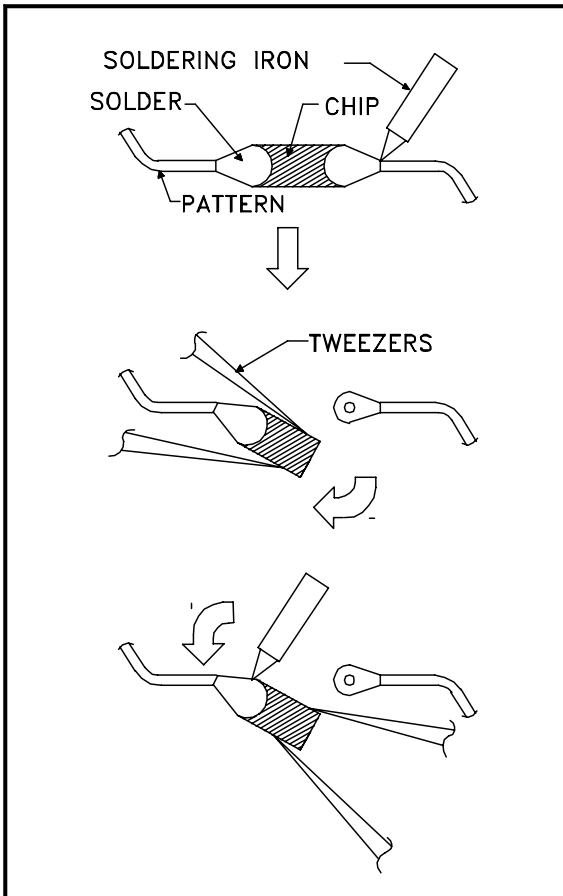
Some resistors, shorting jumpers (0 Ohm resistors), ceramic capacitors, transistors and diodes are chip parts. The following precautions should be taken when replacing these parts.

Cautions:

1. Use a fine tipped, well insulated soldering iron and tweezers.
2. Melt the solder and remove the chip parts carefully so as not to tear the copper foil from the printed circuit board.
3. Discard removed chips; do not reuse them.
4. Do not apply heat for more than 3 (three) seconds to new chip parts.
5. Avoid using a rubbing stroke when soldering.
6. Take care not to scratch, or damage the chip parts when soldering.
7. Supplementary cementing is not required.

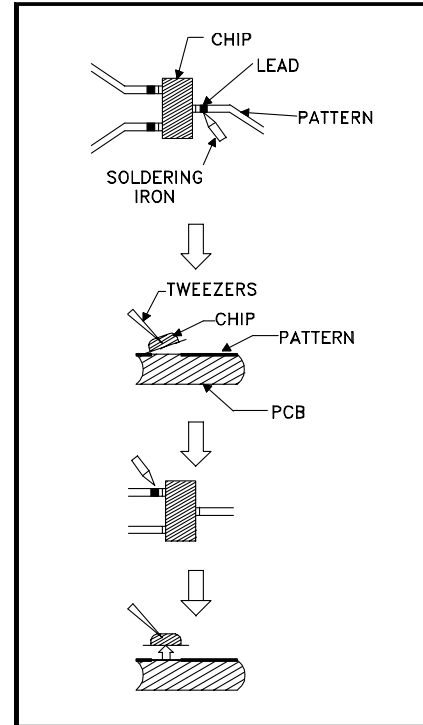
Chip Parts Removal (Resistors, Capacitors, etc.)

1. Grasp the part with tweezers. Melt the solder at both sides alternately, and remove one side of the part with a twisting motion.
2. Melt the solder at the other side and remove the part.



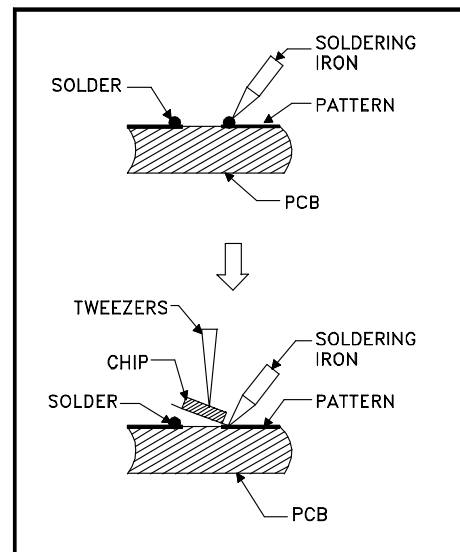
Chip Parts Removal (Transistors)

1. Melt the solder of one lead and lift the side of that lead upward.
2. Simultaneously melt the solder of the other two leads and lift the part from the PCB.



Replacement

1. Presolder the contact points on the circuit pattern.
2. Press the part downward with tweezers and apply the soldering iron as shown.



REPLACEMENT PARTS

Parts Ordering

To expedite delivery of replacement parts orders, specify the following:

1. Model Number/Serial Number
2. Part Number and description
3. Quantity

Note: Unless complete information is supplied, delay in processing of orders will result.

Critical and Warranty Parts Designation

Critical Electrical Components are indicated by **Bold Type** in the Parts List, and in the schematic diagrams by shading.

Warranty Return Parts are indicated in the Parts List with an (*).

Parts Tolerance Codes

Refer to the following chart for tolerance characteristics of electrical components.

MARK	B	C	D	F	G	J	K
Tolerance %	± 0.1	± 0.25	± 0.5	± 1	± 2	± 5	± 10

MARK	M	N	V	X	Z	P	Q
Tolerance %	± 20	± 30	± 10	+ 40 -20	+ 80 -20	+ 100 - 0	+ 30 -10

MARK	M	N	V	X	Z
Tolerance (pF)	± 0.1	± 0.25	± 0.5	± 1	± 2

QUICK REFERENCE FOR COMMON PARTS

Major PWB Assemblies

PWB	PART NO	MODELS
PWB-TERMINAL	934C223001	WD-Y57 / WD-Y65
PWB-TERMINAL	934C223002	WD-57732 / WD-65732 / WD-73732
PWB-SIGNAL	934C224004	ALL
PWB-DM	934C225002	WD-57532 / WD-65732
PWB-DM	934C225003	WD-73732
PWB-DM	934C225007	WD-Y57 / WD-Y65
PWB-POWER	934C228003	ALL
PWB-INTERFACE	934C229001	WD-73732
PWB-FRONT	935D889001	ALL
PWB-SW-LAMP	935D891001	ALL
PWB-E2P	935D893001	ALL
PWB-PREAMP	935D890002	ALL
PWB-CONT1	935D894001	WD-73732
PWB-CONT2	935D902001	WD-57532 / WD-65732 / WD-Y57 / WD-Y65
PWB-CONT3	935D903001	WD-57532 / WD-65732 / WD-Y57 / WD-Y65
PWB-ENG-PWR	955C289001	WD-73732

OPTICAL COMPONENTS

Component	Part No.	Models
OPTICAL ENGINE 57" xHD5	938P059010	WD-Y57
OPTICAL ENGINE 65" xHD5	938P059020	WD-Y65
OPTICAL ENGINE 57" xHD5	938P059060	WD-57732
OPTICAL ENGINE 65" xHD5	938P059070	WD-65732
OPTICAL ENGINE 73" xHD4	938P030010	WD-73732
BALLAST - LAMP PWR	938P060010	WD-57732 / WD-65732 / WD-Y57 / WD-Y65
BALLAST - LAMP PWR	938P069010	WD-73732
LAMP CARTRIDGE	915P049010	WD-57732 / WD-65732 / WD-Y57 / WD-Y65
LAMP CARTRIDGE (73")	915P049020	WD-73732

MIRROR & SCREEN PARTS

MODEL	MIRROR	LENTICULAR SCREEN	FRESNEL LENS
WD-57732	767D083030	491P199010	491P202010
WD-Y57	"	491P199080	491P202080
WD-65732	767D082050	491P199030	491P202030
WD-Y65	"	"	"
WD-73732	767D083060	491P198010	491P202040

MISCELLANEOUS PARTS

Model	Exhaust Fan (for Lamp)	Ballast Fan	Remote Control
ALL	299P288010	299P306010	290P137010

MODEL: WD-Y57 / WD-Y65 / WD-57732 / WD-65732 / WD-73732

[#] Model Legend: (a) WD-57732, (b) WD-65732, (c) WD-73732, (d) WD-Y57, (e) WD-Y65

Ref #	Part #	Part Name & Description	[#]
INTEGRATED CIRCUITS			
IC102	276P325010	IC-C-MOS - MAX4232AKA+T/SOT-23+	
IC1502	271P216010	IC - SC4215ISTR	
IC1503	271P072040	IC - LD29150DT18R	
IC1504	275P677010	IC-C-MOS - SN74LVC573APWR	
IC2000	276P328010	IC-C-MOS - Sii9023CTU144	
IC2001	275P981010	IC-C-MOS - 24LCS22AT/SN	
IC2002	276P299010	IC - CM1213-04MR	
IC2003	276P299010	IC - CM1213-04MR	
IC2004	276P342010	IC-C-MOS - TMDS341PFCR	
IC2005	276P343010	IC-C-MOS - SN74LVC126APWR	
IC2007	276P347010	IC-C-MOS - SN74CBT3125PWR	
IC2101	275P981010	IC-C-MOS - 24LCS22AT/SN	
IC2102	276P299010	IC - CM1213-04MR	
IC2103	276P299010	IC - CM1213-04MR	
IC2201	276P299010	IC - CM1213-04MR	
IC2202	276P299010	IC - CM1213-04MR	
IC2203	275P981010	IC-C-MOS - 24LCS22AT/SN	
IC2204	275P981010	IC-C-MOS - 24LCS22AT/SN	
IC2K01	271P208010	IC - AN15870A	
IC2K03	276P359010	IC-C-MOS - ADA4412-3ARQZRL	
IC2K04	276P238010	IC-C-MOS - SN74LVC14APWR	
IC2L01	276P238010	IC-C-MOS - SN74LVC14APWR	
IC2M00	275P947020	IC-C-MOS - uPD64083GF-3BAA	
IC2M02	271P240010	IC - EL1881CSZ-T7	
IC3001	271P209010	IC - AN5832SA	
IC3A01	276P198010	IC-C-MOS - MAS3507D-QG	ab
IC3A02	275P913010	IC-C-MOS - SN74LVC257APWR	
IC3A04	276P146010	IC-C-MOS - CS5340-CZR	
IC3A05	276P326010	IC-C-MOS - CS4351-CZZR	
IC3A06	276P326010	IC-C-MOS - CS4351-CZZR	
IC3E01	271P138010	IC - LV1115	
IC3E02	276P271010	IC-C-MOS - MP7720DS-LF-Z	
IC3E03	276P271010	IC-C-MOS - MP7720DS-LF-Z	
IC3J01	271P210010	IC - MM1699XJBE	
IC7A00	276P245030	IC-C-MOS - M306V7MG-162FP#U0	
IC7A02	270P706020	IC - MAX823REUK	
IC7A03	276P424010	IC-C-MOS - TC7SA08FU	
IC7A29	271P023010	IC - SN74CBTD1G125DBVR	
IC7E01	276P360010	IC - AD9983KSTZ-80	
IC7E02	270P992010	IC - BA18BC0FP	
IC7G02	270P879030	IC - SC156615M-2.5TR	
IC7GA1	275P982020	IC-C-MOS - MT48LC2M32B2P-7	
IC7GA2	275P982020	IC-C-MOS - MT48LC2M32B2P-7	
IC7GA3	275P982020	IC-C-MOS - MT48LC2M32B2P-7	
IC7K21	270P831020	IC-C-MOS - OPA235OUA/2K5	
IC7P01	276P204040	IC-C-MOS - PIC 18F2510 T-I / SO021	
IC7P03	263P154010	IC-C-MOS - SN74HC132DB	
IC7P04	271P023010	IC - SN74CBTD1G125DBVR	
IC7P05	276P064010	IC-C-MOS - SN74LVC1G125DBV	
IC7R01	276P331020	IC-C-MOS - PIC18F1320TI/SO	
IC7R02	271P212010	IC - LM311M	
IC7R04	276P329010	IC-C-MOS - 74HCT4053PWT	
IC7R05	276P334010	IC-C-MOS - MM1108XFBE	
IC8001	276P030030	IC-C-MOS - 215H31AGA12H	
IC8002	270P706020	IC - MAX823REUK	
IC8008	276P214010	IC-C-MOS - SN74LVC2G125DCUR	
IC80E2	271P150010	IC - 24LC512T-I/SM	
IC8101	271P033010	IC - LP2996MRX	

Ref #	Part #	Part Name & Description	[#]
IC8102	276P029030	IC-C-MOS - NT5DS16M16CS-5T	
IC8103	276P029030	IC-C-MOS - NT5DS16M16CS-5T	
IC8104	276P029030	IC-C-MOS - NT5DS16M16CS-5T	
IC8105	276P029030	IC-C-MOS - NT5DS16M16CS-5T	
IC8205	276P042010	IC-C-MOS - MIC2544-1BM	
IC8211	276P029030	IC-C-MOS - NT5DS16M16CS-5T	
IC8212	276P029030	IC-C-MOS - NT5DS16M16CS-5T	
IC8280	276P215010	IC-C-MOS - DS1337U+T&R	
IC8301	275P677010	IC-C-MOS - SN74LVC573APWR	
IC8303	275P677010	IC-C-MOS - SN74LVC573APWR	
IC8304	275P956030	IC-C-MOS - MD5811-D256-V3Q18-P	
IC8305	275P677010	IC-C-MOS - SN74LVC573APWR	
IC8307	276P199010	IC-C-MOS - ST16C654CQ64TR-F	
IC8308	275P677010	IC-C-MOS - SN74LVC573APWR	
IC8312	276P333010	IC-C-MOS - LCMX0256C3TN10C	
IC8401	276P193010	IC-C-MOS - MN864620	
IC8403	275P686010	IC-C-MOS - TSB41AB3PFP	
IC8404	271P155010	IC - MM1661FTRE	
IC8501	276P202020	IC-C-MOS - ICS443M-20LFT	
IC8503	275P677010	IC-C-MOS - SN74LVC573APWR	
IC8505	275P677010	IC-C-MOS - SN74LVC573APWR	
IC8506	276P065030	IC-C-MOS - CIMAX SP2 PBF	
IC8507	275P913010	IC-C-MOS - SN74LVC257APWR	
IC8508	275P675010	IC-C-MOS - SN74LV125APWR	
IC8511	271P171010	IC - MIC2040-1YMM	
IC8512	271P171010	IC - MIC2040-1YMM	
IC8513	271P171010	IC - MIC2040-1YMM	
IC8A01	276P352010	IC-C-MOS - AD80139KSTZ	
IC8A04	276P217010	IC-C-MOS - SN74LVT245BPWR	
IC8F01	276P336010	IC-C-MOS - Sii7170CMSU	
IC8F03	270P992030	IC - BA33BC0FP-E2	
IC8G03	276P405020	IC-C-MOS - M30843MW-A09FP#U0	
IC8G05	271P149010	IC-C-MOS - M62368GP#CFOJ	c
IC8G07	276P064010	IC-C-MOS - SN74LVC1G125DBV	
IC8G08	276P214010	IC-C-MOS - SN74LVC2G125DCUR	
IC8G10	276P213010	IC-C-MOS - SN74LVC1G17-DCKR	
IC8H01	270P658030	IC - CXA2019AQ/T4	
IC9A10	267P175010	HIC - STR-W6735	
IC9A20	271P142010	IC - RT9H301C	
IC9C51	271P072020	IC - LD29150DT33	
IC9C60	271P072030	IC - LD29150DT50	
IC9E00	271P072040	IC - LD29150DT18R	
IC9E01	271P171010	IC - MIC2040-1YMM	
IC9F00	271P141010	IC - TPS40071PWPR	c
IC9G00	271P141010	IC - TPS40071PWPR	
IC9G23	271P072040	IC - LD29150DT18R	
IC9G24	270P879030	IC - SC156615M-2.5TR	
IC9G50	271P141010	IC - TPS40071PWPR	
IC9G70	270P999010	IC - NJM2370R09	
IC9H00	271P215010	IC - MP2355DN-LF-Z	
IC9H01	270P992050	IC - BA90BC0FP-E2	
IC9H01	271P081010	IC - BA00CC0WFP	
IC9H02	271P141010	IC - TPS40071PWPR	
IC9J01	271P081010	IC - BA00CC0WFP	c
IC9J02	271P081010	IC - BA00CC0WFP	c
IC9J03	271P211010	IC - SI8008TM-TL	c
IC9J04	271P211010	IC - SI8008TM-TL	c
IC9J05	271P215010	IC - MP2355DN-LF-Z	c

MODEL: WD-Y57 / WD-Y65 / WD-57732 / WD-65732 / WD-73732

[#] Model Legend: (a) WD-57732, (b) WD-65732, (c) WD-73732, (d) WD-Y57, (e) WD-Y65

Ref #	Part #	Part Name & Description	[#]
TRANSISTORS			
CHIP Type Transistors (Listed by Part No.)			
	Part No.	Description	
	261P842030	2SC3052-T112-1G	
	261P842080	2SC3052-T112-1E;F	
	261P843080	2SA1235-T112-1E;F	
	261P844010	RT1N436C-T112-1	
	261P852010	Si7336ADPT1E3	c
	261P853010	Si7390DPT1E3	c
	261P858010	BSS138	
	261P859010	Si7804DN-T1-E3	
TRANSISTORS			
Conventional Transistors (By Ref #)			
Ref #	Part #	Part Name & Description	[#]
Q2E01	261P114010	TR - 2SA1585STPR	
Q9A12	261P223010	TR - 2SJ651	
DIODES			
D2021	262P840090	D-CHIP - MAZ80510H	
D2121	262P840090	D-CHIP - MAZ80510H	
D2204	262P840090	D-CHIP - MAZ80510H	
D2301	264P882010	D-CHIP - HSB123	
D2302	264P882010	D-CHIP - HSB123	
D2303	264P882010	D-CHIP - HSB123	
D2304	262P828020	D-CHIP - MC2836-T112-1	
D2E00	262P163010	D-CHIP - MALS068X0L	
D2E01	262P163010	D-CHIP - MALS068X0L	
D2L41	262P163010	D-CHIP - MALS068X0L	de
D2L43	262P163010	D-CHIP - MALS068X0L	de
D2L45	262P163010	D-CHIP - MALS068X0L	de
D2L47	262P163010	D-CHIP - MALS068X0L	de
D2L49	262P163010	D-CHIP - MALS068X0L	de
D2L51	262P163010	D-CHIP - MALS068X0L	de
D2L52	262P163010	D-CHIP - MALS068X0L	
D3E01	262P841010	D-CHIP - MAZ80620H	
D3E02	262P087010	D-CHIP - EC21QS04-TE12L	
D3E21	262P841010	D-CHIP - MAZ80620H	
D3E22	262P087010	D-CHIP - EC21QS04-TE12L	
D7K21	268P100010	DIODE-PHOTO - SFH235FA	
D7K22	262P828010	D-CHIP - MC2838-T112-1	
D7L01	264P212020	D-LED - LN31GPH	c
D7L02	264P584020	DIODE-LE - SML1216W-C,D	c
D7L03	264P584020	DIODE-LE - SML1216W-C,D	c
D7LC1	264P212020	D-LED - LN31GPH	abde
D7LC2	264P584020	DIODE-LE - SML1216W-C,D	abde
D7LC3	264P584020	DIODE-LE - SML1216W-C,D	abde
D8201	264P846010	D-CHIP - MA732	
D8202	264P846010	D-CHIP - MA732	
D8203	264P846010	D-CHIP - MA732	
D8204	264P846010	D-CHIP - MA732	
D8280	262P828010	D-CHIP - MC2838-T112-1	
D8G08	262P830010	D-CHIP - MC2850-T111-1	c
D8G09	262P828010	D-CHIP - MC2838-T112-1	
D8G15	262P828010	D-CHIP - MC2838-T112-1	
D8G16	262P828020	D-CHIP - MC2836-T112-1	
D8G18	262P828020	D-CHIP - MC2836-T112-1	
D8G20	262P828010	D-CHIP - MC2838-T112-1	
D9A00	262P162010	DIODE - D3SB80	
D9A02	264P045080	DIODE - 1S2076A/1S24710M	

Ref #	Part #	Part Name & Description	[#]
D9A03	264P776030	DIODE - MTZJ6.8C - LF	
D9A04	264P045080	DIODE - 1S2076A/1S24710M	
D9A05	262P170010	DIODE - SARS01	
D9A07	262P158010	DIODE - S3V60-5004P.15	
D9A08	262P158010	DIODE - S3V60-5004P.15	
D9A18	264P045080	DIODE - 1S2076A/1S24710M	
D9A19	264P045080	DIODE - 1S2076A/1S24710M	
D9A20	264P045080	DIODE - 1S2076A/1S24710M	
D9A22	264P776030	DIODE - MTZJ6.8C - LF	
D9A23	262P085010	DIODE - 11EFS2N-TA2B5	
D9A24	262P085010	DIODE - 11EFS2N-TA2B5	
D9A25	262P085010	DIODE - 11EFS2N-TA2B5	
D9A26	264P919010	DIODE - FCH20A10	
D9A31	262P084020	DIODE - 31DQ09-FC5	
D9F00	264P846010	D-CHIP - MA732	c
D9F02	262P840060	D-CHIP - MAZ80390H	c
D9F03	262P828010	D-CHIP - MC2838-T112-1	c
D9F04	264P846010	D-CHIP - MA732	c
D9G00	264P846010	D-CHIP - MA732	
D9G02	262P840060	D-CHIP - MAZ80390H	
D9G04	264P846010	D-CHIP - MA732	
D9G50	264P846010	D-CHIP - MA732	
D9G52	262P840060	D-CHIP - MAZ80390H	
D9G54	264P846010	D-CHIP - MA732	
D9H00	262P840060	D-CHIP - MAZ80390H	
D9H01	262P828010	D-CHIP - MC2838-T112-1	
D9H02	262P160010	D-CHIP - EC31QS04-TE12L	
D9H05	262P828010	D-CHIP - MC2838-T112-1	
D9H06	262P828010	D-CHIP - MC2838-T112-1	
D9H07	262P828010	D-CHIP - MC2838-T112-1	
D9H08	262P828010	D-CHIP - MC2838-T112-1	
D9H09	262P806070	D-CHIP - UDZS15B	
D9H09	262P842080	D-CHIP - MAZ83000H	
D9H10	262P806080	D-CHIP - UDZS16B	
D9H20	264P846010	D-CHIP - MA732	
D9H22	262P843010	D-CHIP - MAZ80560H	
D9H23	264P846010	D-CHIP - MA732	
D9H24	262P828010	D-CHIP - MC2838-T112-1	
D9J01	262P843010	D-CHIP - MAZ80560H	c
D9J02	262P840060	D-CHIP - MAZ80390H	c
D9J03	262P828010	D-CHIP - MC2838-T112-1	c
D9J04	262P160010	D-CHIP - EC31QS04-TE12L	c
D9J05	262P828010	D-CHIP - MC2838-T112-1	c
D9J07	262P087010	D-CHIP - EC21QS04-TE12L	c
D9J08	262P087010	D-CHIP - EC21QS04-TE12L	c
COILS			
L106	409P923060	EMI-F-CHIP - BLM21B272S	
L107	409P865020	EMI-F-CHIP - BLM11A601S	
L108	409P865020	EMI-F-CHIP - BLM11A601S	
L1500	409P865070	EMI-F-CHIP - BLM11P300S	
L1502	409P865070	EMI-F-CHIP - BLM11P300S	
L1503	409P865070	EMI-F-CHIP - BLM11P300S	
L1504	409P865070	EMI-F-CHIP - BLM11P300S	
L1505	409P865070	EMI-F-CHIP - BLM11P300S	
L1506	409P865070	EMI-F-CHIP - BLM11P300S	
L1507	409P865070	EMI-F-CHIP - BLM11P300S	
L1508	409P865070	EMI-F-CHIP - BLM11P300S	
L1509	409P777080	EMI-F-CHIP - BLM21P221S	
L1510	409P865070	EMI-F-CHIP - BLM11P300S	

MODEL: WD-Y57 / WD-Y65 / WD-57732 / WD-65732 / WD-73732

[#] Model Legend: (a) WD-57732, (b) WD-65732, (c) WD-73732, (d) WD-Y57, (e) WD-Y65

Ref #	Part #	Part Name & Description	[#]
L2018	409P777080	EMI-F-CHIP - BLM21P221S	
L2118	409P777080	EMI-F-CHIP - BLM21P221S	
L2201	409P777080	EMI-F-CHIP - BLM21P221S	
L2215	409P777080	EMI-F-CHIP - BLM21P221S	
L2216	409P777080	EMI-F-CHIP - BLM21P221S	
L2222	409P777080	EMI-F-CHIP - BLM21P221S	
L2235	409P777080	EMI-F-CHIP - BLM21P221S	
L2237	409P777080	EMI-F-CHIP - BLM21P221S	
L2238	409P777080	EMI-F-CHIP - BLM21P221S	
L2255	409P777080	EMI-F-CHIP - BLM21P221S	
L2287	409P777080	EMI-F-CHIP - BLM21P221S	
L2289	409P777080	EMI-F-CHIP - BLM21P221S	
L2294	409P777080	EMI-F-CHIP - BLM21P221S	
L2295	409P865020	EMI-F-CHIP - BLM11A601S	
L2296	409P865020	EMI-F-CHIP - BLM11A601S	
L2297	409P777080	EMI-F-CHIP - BLM21P221S	
L2298	409P777080	EMI-F-CHIP - BLM21P221S	
L2329	409P865040	EMI-F-CHIP - BLM11B050SA	
L2330	409P865040	EMI-F-CHIP - BLM11B050SA	
L2331	409P865040	EMI-F-CHIP - BLM11B050SA	
L2332	409P865060	EMI-F-CHIP - BLM11B141S	
L2333	409P865060	EMI-F-CHIP - BLM11B141S	
L2340	409P777080	EMI-F-CHIP - BLM21P221S	
L2E00	409P876040	EMI-F-CHIP - CNF20C221S/CKD510JB1H221S	
L2K00	325C420070	COIL-CHIP - 10MH-K	
L2K03	409P777080	EMI-F-CHIP - BLM21P221S	
L2K05	325C420070	COIL-CHIP - 10MH-K	
L2K16	325C421020	COIL-CHIP - 68MH-K LOW-R	
L2K49	325C421020	COIL-CHIP - 68MH-K LOW-R	
L2K77	325C420070	COIL-CHIP - 10MH-K	
L2KC0	409P777080	EMI-F-CHIP - BLM21P221S	
L2KD0	325C411030	COIL-CHIP - 10MH-J	
L2KD1	321C114010	COIL-RF - 2200MH-J	
L2KE0	325C411030	COIL-CHIP - 10MH-J	
L2KF0	325C411030	COIL-CHIP - 10MH-J	
L2KF1	321C114010	COIL-RF - 2200MH-J	
L2KG0	325C411030	COIL-CHIP - 10MH-J	
L2L11	409P923060	EMI-F-CHIP - BLM21B272S	
L2L12	409P923060	EMI-F-CHIP - BLM21B272S	
L2L13	409P923060	EMI-F-CHIP - BLM21B272S	
L2L14	409P923060	EMI-F-CHIP - BLM21B272S	
L2L15	409P923060	EMI-F-CHIP - BLM21B272S	
L2L17	409P923060	EMI-F-CHIP - BLM21B272S	
L2L18	409P923060	EMI-F-CHIP - BLM21B272S	
L2L19	409P923060	EMI-F-CHIP - BLM21B272S	
L2L20	409P923060	EMI-F-CHIP - BLM21B272S	
L2L22	409P923060	EMI-F-CHIP - BLM21B272S	
L2L23	409P923060	EMI-F-CHIP - BLM21B272S	
L2L24	409P923060	EMI-F-CHIP - BLM21B272S	
L2L41	409P923060	EMI-F-CHIP - BLM21B272S	
L2L43	409P923060	EMI-F-CHIP - BLM21B272S	
L2L45	409P923060	EMI-F-CHIP - BLM21B272S	
L2L47	409P923060	EMI-F-CHIP - BLM21B272S	
L2L49	409P923060	EMI-F-CHIP - BLM21B272S	
L2L51	409P923060	EMI-F-CHIP - BLM21B272S	
L2L52	409P923060	EMI-F-CHIP - BLM21B272S	
L2L61	325C411030	COIL-CHIP - 10MH-J	
L2L72	409P865020	EMI-F-CHIP - BLM11A601S	
L2L80	409P865020	EMI-F-CHIP - BLM11A601S	
L2M35	325C420080	COIL-CHIP - 15MH-K LOW-R	

Ref #	Part #	Part Name & Description	[#]
L2M41	325C411080	COIL-CHIP - 27MH-J	
L2M50	325C411000	COIL-CHIP - 5.6MH-J	
L2M71	325C411080	COIL-CHIP - 27MH-J	
L3001	409P865020	EMI-F-CHIP - BLM11A601S	
L3A01	409P865080	EMI-F-CHIP - BLM18PG6	Ocde
L3A02	409P865080	EMI-F-CHIP - BLM18PG6	
L3A03	409P865080	EMI-F-CHIP - BLM18PG6	
L3A04	409P865080	EMI-F-CHIP - BLM18PG6	
L3A05	409P865090	EMI-F-CHIP - BLM11A121S	
L3E01	409P865020	EMI-F-CHIP - BLM11A601S	
L3E10	409P865020	EMI-F-CHIP - BLM11A601S	
L3E13	351P283010	COIL-CHOKE-CHIP - SLF12575T-100M5R4-PF	
L3E23	351P283010	COIL-CHOKE-CHIP - SLF12575T-100M5R4-PF	
L3J36	409P777080	EMI-F-CHIP - BLM21P221S	
L7A16	409P777050	EMI-F-CHIP - BLM21B201S	
L7A73	409P865060	EMI-F-CHIP - BLM11B141S	
L7A89	409P777050	EMI-F-CHIP - BLM21B201S	
L7A99	409P777050	EMI-F-CHIP - BLM21B201S	
L7E01	409P777080	EMI-F-CHIP - BLM21P221S	
L7E02	409P865090	EMI-F-CHIP - BLM11A121S	
L7E04	409P777080	EMI-F-CHIP - BLM21P221S	
L7E07	409P777080	EMI-F-CHIP - BLM21P221S	
L7E08	325C420070	COIL-CHIP - 10MH-K	
L7G01	409P777080	EMI-F-CHIP - BLM21P221S	
L7G02	409P777080	EMI-F-CHIP - BLM21P221S	
L7G03	409P777080	EMI-F-CHIP - BLM21P221S	
L7G04	409P777080	EMI-F-CHIP - BLM21P221S	
L7G05	409P777080	EMI-F-CHIP - BLM21P221S	
L7G06	409P777080	EMI-F-CHIP - BLM21P221S	
L7GA1	409P865080	EMI-F-CHIP - BLM18PG6	
L7GA2	409P865080	EMI-F-CHIP - BLM18PG6	
L7GA3	409P865080	EMI-F-CHIP - BLM18PG6	
L7K01	409P777080	EMI-F-CHIP - BLM21P221S	
L7P00	409P923060	EMI-F-CHIP - BLM21B272S	
L7P14	409P777050	EMI-F-CHIP - BLM21B201S	
L7P20	409P777050	EMI-F-CHIP - BLM21B201S	
L7T11	409P865060	EMI-F-CHIP - BLM11B141S	
L7T12	409P865060	EMI-F-CHIP - BLM11B141S	
L7T13	409P865060	EMI-F-CHIP - BLM11B141S	
L7T14	409P865060	EMI-F-CHIP - BLM11B141S	
L8001	409P865080	EMI-F-CHIP - BLM18PG6	
L8002	409P865080	EMI-F-CHIP - BLM18PG6	
L8003	409P865080	EMI-F-CHIP - BLM18PG6	
L8004	409P865080	EMI-F-CHIP - BLM18PG6	
L8005	409P865080	EMI-F-CHIP - BLM18PG6	
L8006	409P865080	EMI-F-CHIP - BLM18PG6	
L8007	409P865080	EMI-F-CHIP - BLM18PG6	
L8008	409P865080	EMI-F-CHIP - BLM18PG6	
L8009	409P777080	EMI-F-CHIP - BLM21P221S	
L8011	409P865080	EMI-F-CHIP - BLM18PG6	
L8013	409P865080	EMI-F-CHIP - BLM18PG6	
L8201	409P777080	EMI-F-CHIP - BLM21P221S	abc
L8202	351P265010	COIL-CHOKE-CHIP - ACM2012	abc
L8203	409P777080	EMI-F-CHIP - BLM21P221S	abc
L8204	409P777080	EMI-F-CHIP - BLM21P221S	de
L8205	351P265010	COIL-CHOKE-CHIP - ACM2012	de
L8206	409P777080	EMI-F-CHIP - BLM21P221S	de
L8280	409P865080	EMI-F-CHIP - BLM18PG6	
L8306	409P865080	EMI-F-CHIP - BLM18PG6	
L8307	409P865080	EMI-F-CHIP - BLM18PG6	

MODEL: WD-Y57 / WD-Y65 / WD-57732 / WD-65732 / WD-73732

[#] Model Legend: (a) WD-57732, (b) WD-65732, (c) WD-73732, (d) WD-Y57, (e) WD-Y65

Ref #	Part #	Part Name & Description	[#]
L8308	409P865080	EMI-F-CHIP - BLM18PG6	
L8309	409P865080	EMI-F-CHIP - BLM18PG6	
L8310	409P865080	EMI-F-CHIP - BLM18PG6	
L8313	409P865080	EMI-F-CHIP - BLM18PG6	
L8314	409P865080	EMI-F-CHIP - BLM18PG6	
L8318	409P865080	EMI-F-CHIP - BLM18PG6	
L8320	409P865080	EMI-F-CHIP - BLM18PG6	
L83B3	325C501010	COIL-CHIP - ALQM21NNR47K10	
L8401	351P265020	COIL-CHIP - ACM2012-201-2P	
L8402	351P265020	COIL-CHIP - ACM2012-201-2P	
L8403	409P777080	EMI-F-CHIP - BLM21P221S	
L8404	409P777080	EMI-F-CHIP - BLM21P221S	
L8413	351P265020	COIL-CHIP - ACM2012-201-2P	
L8414	351P265020	COIL-CHIP - ACM2012-201-2P	
L8415	351P265020	COIL-CHIP - ACM2012-201-2P	
L8416	351P265020	COIL-CHIP - ACM2012-201-2P	
L8501	409P865080	EMI-F-CHIP - BLM18PG6	
L8502	409P777080	EMI-F-CHIP - BLM21P221S	
L8503	409P865080	EMI-F-CHIP - BLM18PG6	
L8504	409P865090	EMI-F-CHIP - BLM11A121S	
L8505	409P865080	EMI-F-CHIP - BLM18PG6	
L8507	409P865080	EMI-F-CHIP - BLM18PG6	
L8508	409P865080	EMI-F-CHIP - BLM18PG6	
L8509	409P865080	EMI-F-CHIP - BLM18PG6	
L8510	409P865090	EMI-F-CHIP - BLM11A121S	
L8511	409P865090	EMI-F-CHIP - BLM11A121S	
L8512	409P865090	EMI-F-CHIP - BLM11A121S	
L8A01	409P777080	EMI-F-CHIP - BLM21P221S	0ab
L8A02	325C420070	COIL-CHIP - 10MH-K	
L8A03	409P777080	EMI-F-CHIP - BLM21P221S	0ab
L8A04	409P777080	EMI-F-CHIP - BLM21P221S	
L8A05	409P777080	EMI-F-CHIP - BLM21P221S	0ab
L8A06	409P777080	EMI-F-CHIP - BLM21P221S	0ab
L8F01	409P777080	EMI-F-CHIP - BLM21P221S	
L8F02	409P777080	EMI-F-CHIP - BLM21P221S	
L8F03	409P777080	EMI-F-CHIP - BLM21P221S	
L8F04	409P777080	EMI-F-CHIP - BLM21P221S	
L8F06	409P865060	EMI-F-CHIP - BLM11B141S	
L8F07	409P865060	EMI-F-CHIP - BLM11B141S	
L8F08	409P865060	EMI-F-CHIP - BLM11B141S	
L8F09	409P865060	EMI-F-CHIP - BLM11B141S	
L8F10	409P865060	EMI-F-CHIP - BLM11B141S	
L8F11	409P865060	EMI-F-CHIP - BLM11B141S	
L8F12	409P865060	EMI-F-CHIP - BLM11B141S	
L8F13	409P865060	EMI-F-CHIP - BLM11B141S	
L8F14	409P865060	EMI-F-CHIP - BLM11B141S	
L8F15	409P865060	EMI-F-CHIP - BLM11B141S	
L8G01	409P865060	EMI-F-CHIP - BLM11B141S	
L8G02	409P865060	EMI-F-CHIP - BLM11B141S	
L8G10	409P865060	EMI-F-CHIP - BLM11B141S	
L8G11	409P865060	EMI-F-CHIP - BLM11B141S	
L8G12	409P865060	EMI-F-CHIP - BLM11B141S	
L8G13	409P865060	EMI-F-CHIP - BLM11B141S	
L8G14	409P865060	EMI-F-CHIP - BLM11B141S	
L8G15	409P865060	EMI-F-CHIP - BLM11B141S	c
L8G16	409P865060	EMI-F-CHIP - BLM11B141S	c
L8G17	409P865060	EMI-F-CHIP - BLM11B141S	c
L8G18	409P865060	EMI-F-CHIP - BLM11B141S	c
L8G19	409P865060	EMI-F-CHIP - BLM11B141S	c
L8G30	409P865060	EMI-F-CHIP - BLM11B141S	c

Ref #	Part #	Part Name & Description	[#]
L8G33	409P865060	EMI-F-CHIP - BLM11B141S	c
L8G34	409P777080	EMI-F-CHIP - BLM21P221S	c
L8G35	409P777080	EMI-F-CHIP - BLM21P221S	
L8G36	409P865060	EMI-F-CHIP - BLM11B141S	c
L8G37	409P865060	EMI-F-CHIP - BLM11B141S	c
L8G38	409P777080	EMI-F-CHIP - BLM21P221S	
L9A20	321C140060	COIL-RF - 2.7MH-M	
L9A21	321C140060	COIL-RF - 2.7MH-M	
L9A34	321C141070	COIL-RF - 22MH-K	
L9A35	321C141070	COIL-RF - 22MH-K	
L9C51	409P777080	EMI-F-CHIP - BLM21P221S	
L9D01	351P306020	LINE-FILTER - TF3020V-A602Y5R0-01	
L9D02	351P266020	LINE-FILTER - ELF22V025A	
L9D03	351P286010	LINE-FILTER - HF2836-353Y1R0-T01	
L9E00	409P777080	EMI-F-CHIP - BLM21P221S	
L9F00	321C140060	COIL-RF - 2.7MH-M	c
L9F01	351P282040	COIL-CHOKE-CHIP - GSRH129-4R0M01	c
L9F02	321C140030	COIL-RF - 1.5MH-M	c
L9F03	321C140030	COIL-RF - 1.5MH-M	c
L9F04	321C140030	COIL-RF - 1.5MH-M	c
L9G00	321C141010	COIL-RF - 6.8MH-M	
L9G01	351P277020	COIL-CHOKE-CHIP - GSRH127-4R7N	
L9G02	321C141010	COIL-RF - 6.8MH-M	
L9G03	321C141010	COIL-RF - 6.8MH-M	
L9G50	321C141010	COIL-RF - 6.8MH-M	
L9G51	351P277030	COIL-CHOKE-CHIP - GSRH127-7R6M	
L9G52	321C140060	COIL-RF - 2.7MH-M	
L9G53	321C140060	COIL-RF - 2.7MH-M	
L9G70	409P777080	EMI-F-CHIP - BLM21P221S	
L9H00	321C141010	COIL-RF - 6.8MH-M	
L9H01	351P297020	COIL-CHOKE-CHIP - GSRH104R-100M	
L9H02	321C140060	COIL-RF - 2.7MH-M	
L9H03	351P277030	COIL-CHOKE-CHIP - GSRH127-7R6M	
L9H05	321C141010	COIL-RF - 6.8MH-M	
L9H06	321C141010	COIL-RF - 6.8MH-M	
L9H07	321C141010	COIL-RF - 6.8MH-M	
L9H09	321C141070	COIL-RF - 22MH-K	
L9J01	321C141010	COIL-RF - 6.8MH-M	c
L9J02	409P865060	EMI-F-CHIP - BLM11B141S	c
L9J03	409P865060	EMI-F-CHIP - BLM11B141S	c
L9J04	321C141010	COIL-RF - 6.8MH-M	c
L9J05	321C141010	COIL-RF - 6.8MH-M	c
L9J06	409P865080	EMI-F-CHIP - BLM18PG6	c
L9J07	409P865080	EMI-F-CHIP - BLM18PG6	c
L9J08	351P297020	COIL-CHOKE-CHIP - GSRH104R-100M	c
L9J09	321C140060	COIL-RF - 2.7MH-M	c
L9J10	351P297010	COIL-CHOKE-CHIP - GSRH104R-470M	c
L9J11	351P297010	COIL-CHOKE-CHIP - GSRH104R-470M	c
L9J12	321C141010	COIL-RF - 6.8MH-M	c
T2001	409P961010	CHIP-FILTER - ACM2012D-9002P	
T2002	409P961010	CHIP-FILTER - ACM2012D-9002P	
T2003	409P961010	CHIP-FILTER - ACM2012D-9002P	
T2004	409P961010	CHIP-FILTER - ACM2012D-9002P	
T2101	409P961010	CHIP-FILTER - ACM2012D-9002P	
T2102	409P961010	CHIP-FILTER - ACM2012D-9002P	
T2103	409P961010	CHIP-FILTER - ACM2012D-9002P	
T2104	409P961010	CHIP-FILTER - ACM2012D-9002P	
T2201	409P961010	CHIP-FILTER - ACM2012D-9002P	
T2202	409P961010	CHIP-FILTER - ACM2012D-9002P	
T2203	409P961010	CHIP-FILTER - ACM2012D-9002P	

MODEL: WD-Y57 / WD-Y65 / WD-57732 / WD-65732 / WD-73732

[#] Model Legend: (a) WD-57732, (b) WD-65732, (c) WD-73732, (d) WD-Y57, (e) WD-Y65

Ref #	Part #	Part Name & Description	[#]
T2204	409P961010	CHIP-FILTER -ACM2012D-9002P	
T8F01	409P961010	CHIP-FILTER -ACM2012D-9002P	
T8F02	409P961010	CHIP-FILTER -ACM2012D-9002P	
T8F03	409P961010	CHIP-FILTER -ACM2012D-9002P	
T8F04	409P961010	CHIP-FILTER -ACM2012D-9002P	
TRANSFORMERS			
T9A10	350P841010	TRAN-PWR - SRW39LECU11V116	
VARISTORS			
RV9D00265P100020	VAR	- ERZV10D271CS	
RV9D01265P100020	VAR	- ERZV10D271CS	
RESISTORS			
CHIP Type Resistors (Listed by Value)			
Part No.	Value	Part No.	Value
103P509050	1/16W 0OHM	103P493010	1/16W 1.8K-F
103P409050	1/8W 0OHM	103P502080	1/16W 1.8K-J
103P408040	1/10W 2.2-J	103P493020	1/16W 2K-F
103P508040	1/16W 2.2-J	103P493030	1/16W 2.2K-F
103P791080	1/16W 5.1-F	103P502090	1/16W 2.2K-J
103P500010	1/16W 10-J	103P493040	1/16W 2.4K-F
103P990010	1/16W 10-JX4	103P493050	1/16W 2.7K-F
103P480010	1/4W 10-J	103P503000	1/16W 2.7K-J
103P400050	1/10W 22-J	103P493060	1/16W 3K-F
103P500050	1/16W 22-J	103P493070	1/16W 3.3K-F
103P990050	1/16W 22-JX4	103P503010	1/16W 3.3K-J
103P500060	1/16W 27-J	103P493080	1/16W 3.6K-F
103P500070	1/16W 33-J	103P493090	1/16W 3.9K-F
103P990070	1/16W 33-JX4	103P503020	1/16W 3.9K-J
103P793080	1/16W 36F	103P494000	1/16W 4.3K-F
103P794010	1/16W 47-F	103P494010	1/16W 4.7K-F
103P500090	1/16W 47-J	103P503030	1/16W 4.7K-J
103P990090	1/16W 47-JX4	103P494020	1/16W 5.1K-F
103P401000	1/10W 56-J	103P494030	1/16W 5.6K-F
103P844030	1/16W 56-D	103P503040	1/16W 5.6K-J
103P501000	1/16W 56-J	103P814040	1/16W 6.2K-D
103P991010	1/16W 56-JX4	103P494040	1/16W 6.2K-F
103P501010	1/16W 68-J	103P494050	1/16W 6.8K-F
103P794060	1/16W 75-F	103P503050	1/16W 6.8K-J
103P509090	1/16W 75-J	103P494070	1/16W 8.2K-F
103P489090	1/4W 75-J	103P503060	1/16W 8.2K-J
103P501020	1/16W 82-J	103P494090	1/16W 10K-F
103P991030	1/16W 82-JX4	103P403070	1/8W 10K-J
103P401030	1/10W 100-J	103P503070	1/16W 10K-J
103P501030	1/16W 100-J	103P994010	1/16W 10K-JX4
103P490010	1/16W 100F	103P495010	1/16W 12K-F
103P501040	1/16W 120-J	103P503080	1/16W 12K-J
103P401050	1/10W 150-J	103P495020	1/16W 13K-F
103P501050	1/16W 150-J	103P495030	1/16W 15K-F
103P810050	1/16W 150-D	103P503090	1/16W 15K-J
103P490050	1/16W 150-F	103P495050	1/16W 18K-F
103P490070	1/16W 180-F	103P504000	1/16W 18K-J
103P401070	1/10W 220-J	103P404000	1/8W 18K-J
103P490090	1/16W 220-F	103P495070	1/16W 22K-F
103P501070	1/16W 220-J	103P504010	1/16W 22K-J
103P481070	1/4W 220-J	103P504020	1/16W 27K-J
103P491000	1/16W 240-F	103P496010	1/16W 33K-F
103P491010	1/16W 270-F	103P504030	1/16W 33K-J

Ref #	Part #	Part Name & Description	[#]
103P501080	1/16W 270-J	103P504040	1/16W 39K-J
103P491020	1/16W 300-F	103P496050	1/16W 47K-F
103P491030	1/16W 330-F	103P504050	1/16W 47K-J
103P501090	1/16W 330-J	103P496070	1/16W 56K-F
103P491040	1/16W 360-F	103P504060	1/16W 56K-J
103P491050	1/16W 390-F	103P496090	1/16W 68K-F
103P502000	1/16W 390-J	103P497000	1/16W 68K-F
103P491070	1/16W 470-F	103P504070	1/16W 68K-J
103P502010	1/16W 470-J	103P497010	1/16W 82K-F
103P502020	1/16W 560-J	103P504080	1/16W 82K-J
103P492010	1/16W 680-F	103P497030	1/16W 100K-F
103P502030	1/16W 680-J	103P504090	1/16W 100K-J
103P492030	1/16W 820-F	103P505000	1/16W 120K-J
103P502040	1/16W 820-J	103P497080	1/16W 160K-F
103P492050	1/16W 1K-F	103P505020	1/16W 180K-J
103P502050	1/16W 1K-J	103P498050	1/16W 330K-F
103P492070	1/16W 1.2K-F	103P505050	1/16W 330K-J
103P502060	1/16W 1.2K-J	103P505090	1/16W 680K-J
103P492090	1/16W 1.5K-F	103P506000	1/16W 820K-J
103P502070	1/16W 1.5K-J	103P506010	1/16W 1M-J
RESISTORS			
Conventional Resistors (By Ref #)			
Ref #	Part #	Part Name & Description	[#]
R1510	103C398000	R-METAL-P - 3W 1-K	
R9A01	109P179020	R-CEMT-PLT - 1.8 OHM-J	
R9A02	109P179020	R-CEMT-PLT - 1.8 OHM-J	
R9A03	109C010010	R-COMP - 1/2W 1M-K	
R9A05	109C010010	R-COMP - 1/2W 1M-K	
R9A06	109C010010	R-COMP - 1/2W 1M-K	
R9A09	103P145030	R-CARBON - 1/2W 220K-J	
R9A11	103P145030	R-CARBON - 1/2W 220K-J	
R9A17	103P145020	R-CARBON - 1/2W 180K-J	
R9A19	103P144070	R-CARBON - 1/2W 68K-J	
R9A20	103P144070	R-CARBON - 1/2W 68K-J	
R9A21	103C187030	R-METAL - 2W 0.27-J	
R9A22	103C187030	R-METAL - 2W 0.27-J	
R9A25	103P142050	R-CARBON - 1/2W 1K-J	
R9A30	109D151090	R-CARBON - 1/4W 33-J	
R9A42	103P145030	R-CARBON - 1/2W 220K-J	
R9A43	103P145030	R-CARBON - 1/2W 220K-J	
R9A77	103C392010	R-METAL-P - 3W 470-J	
R9A78	103C392010	R-METAL-P - 3W 470-J	
R9A82	103C390090	R-METAL-P - 3W 47-J	
R9A83	103P144070	R-CARBON - 1/2W 68K-J	
R9G08	103P715050	R-CARBON - 1/4W 330K-J	
R9G59	103P715050	R-CARBON - 1/4W 330K-J	
R9H20	103C398070	R-METAL-P - 3W 3.9-K	
CAPACITORS			
CHIP Type Capacitors (Listed by Value)			
Part No.	Value	Part No.	Value
154P340060	CK50V 5P-C	141P144020	F25V 0.1M-Z
154P340070	CH50V 6P-C	141P134090	F50V 0.1M-Z
154P340090	CH50V 8P-C	141P135080	F50V/25V 0.1M-Z
154P341010	CH50V 10P-C	141P146040	B10V 0.22M-K
154P341030	CH50V 12P-J	141P138080	B25V 0.33M-K
154P341050	CH50V 15P-J	141P144040	F25V/16V 0.33M-Z
154P341070	CH50V 18P-J	141P146080	B10V 0.47M-K

MODEL: WD-Y57 / WD-Y65 / WD-57732 / WD-65732 / WD-73732

[#] Model Legend: (a) WD-57732, (b) WD-65732, (c) WD-73732, (d) WD-Y57, (e) WD-Y65

Ref #	Part #	Part Name & Description	[#]
154P341090	CH50V 22P-J	141P139090	B16V 0.47M-K
154P342030	CH50V 33P-J	141P133000	B50V 0.47M-K
154P342070	CH50V 47P-J	141P144050	F16V 0.47M-Z
154P342090	CH50V 56P-J	141P135020	F25V 0.47M-Z
154P345090	CH25V 1000P-J	141P147020	B10V/6.3V 1M-K
154P343050	CH50V 100P-J	141P134070	B16V 1M-K
154P353060	SL50V 100P-J	141P148000	B25V 1M-K
154P343070	CH50V 120P-J	189P245010	25V 1M
154P344030	CH50V 220P-J	141P135070	F16V 1M-Z
141P140010	B50V 220P-K	141P144060	F25V 1M-Z
154P344050	CH50V 270P-J	181P802040	16V 2.2M-M
154P344070	CH50V 330P-J	181P806020	50V 2.2M-M
141P140040	B50V 390P-K	141P147040	B6.3V 2.2M-K
	CK1608		
154P345010	CH50V 470P-J	181P806030	50V 3.3M-M
141P140050	B50V 470P-K	141P133010	B10V 3.3M-M
154P345030	CH25V 560P-J	181P808070	16V 4.7M-M
141P140060	B50V 560P-K	181P824090	35V 4.7M-M 105C
154P345050	CH25V 680P-J	141P136080	B25V 4.7M-K
141P140070	B50V 680P-K	141P147060	B6.3V 4.7M-K
154P345070	CH25V 820P-J	181P802030	16V 10M-M
141P140090	B50V 1000P-K	181P825000	35V 10M-M 105C
141P141030	B50V 2200P-K	181P822030	16V 10M-M 105C
141P141040	B50V 2700P-K	181P826050	50V 10M-M 105C
141P141070	B50V 4700P-K	189P243010	6.3V 10M
141P141080	B50V 5600P-K	189P243050	16V 10M
141P142000	B50V 8200P-K	189P243020	25V 10M
141P142010	B50V 0.01M-K	181P820010	6.3V 22M-M 105C
141P133080	B50V 0.01M-Z	189P243040	25V 22M
141P143080	F50V 0.01M-Z	181P802060	16V 47M-M
141P142050	B25V 0.022M-K	181P800030	6.3V 47M-M
141P142070	B25V 0.033M-K	181P822060	16V 47M-M 105C
141P142090	B25V 0.047M-K	181P820030	6.3V 47M-M 105C
141P144010	F50V 0.047M-Z	181P802070	16V 100M-M
141P143010	B25V 0.068M-K	181P800040	6.3V 100M-M
141P143020	B16V 0.082M-K	181P822070	16V 100M-M 105C
141P143030	B16V 0.1M-K	181P800060	6.3V 220M-M
141P139030	B25V 0.1M-K	181P828010	4V 220M-M 105C

CAPACITORS AND TRIMMERS

Conventional Capacitors (By Ref #)

Ref #	Part #	Part Name & Description	[#]
C3E45	181P735030	C-ELEC - 25V 1000M-M 105C	
C3E48	181P735030	C-ELEC - 25V 1000M-M 105C	
C3E65	181P735030	C-ELEC - 25V 1000M-M 105C	
C3E68	181P735030	C-ELEC - 25V 1000M-M 105C	
C7K01	181P352030	C-ELEC - 16V 47M-M	
C7K21	181P355050	C-ELEC - 50V 10M-M	
C7K23	181P352030	C-ELEC - 16V 47M-M	
C7K28	181P352040	C-ELEC - 16V 100M-M	
C8G45	181P354050	C-ELEC - 35V 47M-M	c
C9A00	189P185090	C-CER - AC250V E2200P-M	
C9A01	189P185090	C-CER - AC250V E2200P-M	
C9A02	185D122040	C-ELEC - H200V 820M-M	
C9A03	185D122040	C-ELEC - H200V 820M-M	
C9A05	189P185090	C-CER - AC250V E2200P-M	
C9A06	189P185090	C-CER - AC250V E2200P-M	
C9A08	189P185090	C-CER - AC250V E2200P-M	
C9A09	189P185090	C-CER - AC250V E2200P-M	
C9A10	189P185090	C-CER - AC250V E2200P-M	

Ref #	Part #	Part Name & Description	[#]
C9A11	189P185090	C-CER - AC250V E2200P-M	
C9A13	189P152080	C-M-POLY - AC125/250V 0.015M-M	
C9A14	189P152080	C-M-POLY - AC125/250V 0.015M-M	
C9A15	189P185070	C-CER - AC250V E1000P-M	
C9A16	189P185070	C-CER - AC250V E1000P-M	
C9A18	185D122040	C-ELEC - H200V 820M-M	
C9A21	181P185060	C-ELEC - 50V 10M-M 105C	
C9A25	172P138020	C-POLY - 50V 5600P-J	
C9A29	185D122040	C-ELEC - H200V 820M-M	
C9A30	154P400050	C-CER - B1KV 1000P-K	
C9A31	142P010090	C-CER - B500V 470P-K	
C9A33	181P733080	C-ELEC - 16V 1000M-H 105C LOWR	
C9A34	181P733080	C-ELEC - 16V 1000M-H 105C LOWR	
C9A35	181P733080	C-ELEC - 16V 1000M-H 105C LOWR	
C9A36	181P733080	C-ELEC - 16V 1000M-H 105C LOWR	
C9A37	181P733080	C-ELEC - 16V 1000M-H 105C LOWR	
C9A39	181P184070	C-ELEC - 35V 2200M-M	
C9A43	172P166030	C-TF - 50V 0.1M-J	
C9A46	142P010090	C-CER - B500V 470P-K	
C9A47	181P351070	C-ELEC - 10V 470M-M	
C9A48	181P355010	C-ELEC - 50V 1M-M	
C9A54	181P733060	C-ELEC - 16V 470M-H 105C LOWR	
C9A70	154P400060	C-CER - B1KV 1500P-K	
C9A71	154P400060	C-CER - B1KV 1500P-K	
C9A91	172P082080	C-PLSTIC-PP - 630V 5600P-J	
C9D01	189P153060	C-M-POLY-AC - AC125/250V 0.22M-M	
C9D03	189P153060	C-M-POLY-AC - AC125/250V 0.22M-M	
C9D07	189P153060	C-M-POLY-AC - AC125/250V 0.22M-M	
C9F12	181P733080	C-ELEC - 16V 1000M-H 105C LOWR	c
C9F17	181P732000	C-ELEC - 10V 680M-M 105C	c
C9F18	181P732000	C-ELEC - 10V 680M-M 105C	c
C9G18	181P732000	C-ELEC - 10V 680M-M 105C	
C9H08	181P352070	C-ELEC - 16V 470M-M	
C9H55	181P732000	C-ELEC - 10V 680M-M 105C	
C9J05	181P354050	C-ELEC - 35V 47M-M	c
C9J06	181P354050	C-ELEC - 35V 47M-M	c
C9J07	181P354050	C-ELEC - 35V 47M-M	c
C9J08	181P354050	C-ELEC - 35V 47M-M	c
C9J18	181P351070	C-ELEC - 10V 470M-M	c
C9J19	181P738010	C-ELEC - 50V 220M-M 105C LOW-R	c
C9J20	181P738010	C-ELEC - 50V 220M-M 105C LOW-R	c
C9J22	181P735010	C-ELEC - 25V 470M-M	c
C9J28	181P351070	C-ELEC - 10V 470M-M	c
C9J32	181P732000	C-ELEC - 10V 680M-M 105C	c
CF8H01	299P128010	OSC-CERAMIC - CSB500F2	
SWITCHES			
S7L01	432P109010	SW-KEY BOARD - KSHS611BT	c
S7L02	432P109010	SW-KEY BOARD - KSHS611BT	c
S7L03	432P109010	SW-KEY BOARD - KSHS611BT	c
S7L04	432P109010	SW-KEY BOARD - KSHS611BT	c
S7L05	432P109010	SW-KEY BOARD - KSHS611BT	c
S7L06	432P109010	SW-KEY BOARD - KSHS611BT	c
S7L07	432P109010	SW-KEY BOARD - KSHS611BT	c
S7L08	432P109010	SW-KEY BOARD - KSHS611BT	c
S7L09	432P109010	SW-KEY BOARD - KSHS611BT	c
S7L10	432P109010	SW-KEY BOARD - KSHS611BT	c
S7LA1	432P109010	SW-KEY BOARD - KSHS611BT	abde
S7LA2	432P109010	SW-KEY BOARD - KSHS611BT	abde
S7LA3	432P109010	SW-KEY BOARD - KSHS611BT	abde

MODEL: WD-Y57 / WD-Y65 / WD-57732 / WD-65732 / WD-73732

[#] Model Legend: (a) WD-57732, (b) WD-65732, (c) WD-73732, (d) WD-Y57, (e) WD-Y65

Ref #	Part #	Part Name & Description	[#]
S7LA4	432P109010	SW-KEY BOARD - KSHS611BT	abde
S7LA5	432P109010	SW-KEY BOARD - KSHS611BT	abde
S7LA6	432P109010	SW-KEY BOARD - KSHS611BT	abde
S7LA7	432P109010	SW-KEY BOARD - KSHS611BT	abde
S7LA8	432P109010	SW-KEY BOARD - KSHS611BT	abde
S7LA9	432P109010	SW-KEY BOARD - KSHS611BT	abde
S7LC1	432P109010	SW-KEY BOARD - KSHS611BT	abde
MISCELLANEOUS			
246C351070		AC POWER CORD	
246C561020		CABLE-DVI	c
246C561030		CABLE-DVI	abde
299P288010		FAN-COOLING - EXHAUST	
299P306010		FAN-COOLING - BALLAST	
305P705020		SWITCH-RF-TYPE 5	
411D044020		CORE-FERRITE - ZCAT2032-0930	abde
411P026010		CORE-FERRITE - ZCAT2017	abde
411P029010		CORE-FERRITE - ZCAT3513S	abde
434P004010		LAMP SWITCH	
480P083010		SPEAKER - 10W	
572C013010		SPRING-DOOR	abde
572C015010		SPRING-DOOR	c
593B227010		HOLDER-MIRROR	ad
593B227020		HOLDER-MIRROR	be
620D204010		TAPE-MIRROR	
620D204020		TAPE-BEZEL	
622C288040		SPACER-MIRROR	c
622C289010		CUSHION-LENS-COVER	c
622C297010		CUSHION-ENGINE	c
622C454010		COVER-LENS-FOAM	abde
622C474090		SPACER-GRILLE	ade
622C494010		CUSHION-MIRROR-BTM	be
622C512010		CUSHION-ENGINE-SPACER	abde
622D484010		HOLDER-LED	
642C431010		CATCH-GRILLE	
642C432010		STRIKER - SPEAKER GRILL	
669D735010		ENGINE LOCKING SCREW	abde
669D736010		SCREW-ENGINE-ADJ 16mm	abde
669D736020		SCREW-ENGINE-ADJ 20mm	c
669D736030		SCREW-ENGINE-ADJ 35mm	c
674D142010		LOCKNUT-NYLON INSERT	abde
683D169010		ENGINE LOCKING -SPRING	abde
702A466010		FRAME-TERMINAL	c
703C076010		ORNAMENT-TOP	c
703C077010		ORNAMENT-SIDE	c
703C078010		ORNAMENT-BOTTOM	c
704B219020		BUTTONS	c
704B225010		BUTTON-POWER	abde
752B188010		DOOR-LAMP	c
761A284020		BACK-COVER	c
761A305050		GRILL-SIDE-L	c
761A305060		GRILL-SIDE-R	c
761A307030		PANEL-FRONT-R	c
761A307040		PANEL-FRONT-L	c
761A310020		COVER-MIRROR	c
761A316030		GRILL-REAR	c
761A333020		GRILL-SPEAKER	d
761A334020		GRILL-SPEAKER	e
761A337010		COVER-BACK	abde

Ref #	Part #	Part Name & Description	[#]
	761A348010	GRILL-SPEAKER	b
	761A349010	GRILL-SPEAKER	a
	761B429030	DOOR-FRONT	c
	761B435020	PANEL-BUTTON/LED	c
	761B453010	COVER - LAMP	abde
	761B455010	COVER-SIDE ACCESS	abde
	761B457010	DOOR-FRONT	de
	761B459010	DOOR-FRONT	ab
	761B461010	FRONT INPUT CONSOLE	de
	761B461020	COVER-INPUT	ab
	761C743010	BASE-STRIKER	c
	761D982010	LED-INDICATOR-COVER	abde
	767D082050	MIRROR - 65"	be
	767D083030	MIRROR - 57"	ad
	767D083060	MIRROR - 73"	c
	771D111030	PAD - CABINET BTM	c
	771D127010	PAD - CABINET BTM	abde
	915P049010	LAMP-CARTRIDGE	abde
	915P049020	LAMP-CARTRIDGE	c
	938P030010	OPTICAL-ENGINE 73" xHD4	c
	938P051010	MEMORY CARD READER	abc
	938P059010	OPTICAL-ENGINE 57" xHD5	d
	938P059020	OPTICAL-ENGINE 65" xHD5	e
	938P059060	OPTICAL-ENGINE 57" xHD5	a
	938P059070	OPTICAL-ENGINE 65" xHD5	b
	938P060010	BALLAST - LAMP PWR	abde
	938P069010	BALLAST - LAMP PWR	c
AG9D00	299P220020	SURGE-SUPPRESSOR - DSS-302M	
F9A00	283P144080	FUSE - 125V 5A	
F9A01	283P144080	FUSE - 125V 5A	
F9A03	283P144060	FUSE - 125V 7A	
F9A04	283P144060	FUSE - 125V 7A	
F9D00	283D141040	FUSE - S10A 125V	
F9F00	283P069010	FUSE-CHIP - FCC16402ADTP	c
F9G00	283P075090	FUSE-CHIP - FCC20252ADTP	
F9H00	283P075090	FUSE-CHIP - FCC20252ADTP	
F9H01	283P069010	FUSE-CHIP - FCC16402ADTP	
F9H01	283P075090	FUSE-CHIP - FCC20252ADTP	
F9J00	283P075090	FUSE-CHIP - FCC20252ADTP	c
J2001	452C410010	CONNECTOR-HDMI	
J2101	452C410010	CONNECTOR-HDMI	
J3A01	440C393030	PIN-JACK-BOARD-1P	
J8201	452C401010	CONNECTOR-USB	abc
J8401	451P246010	JACK-1394 - MINI	
J8402	451P246010	JACK-1394 - MINI	
J8F01	452C371020	CONNECTOR-DVI	
K9A10	287P111030	RELAY-POWER - LKS1AF-12V	
K9A20	287P111030	RELAY-POWER - LKS1AF-12V	
K9A21	287P111030	RELAY-POWER - LKS1AF-12V	
PC9A10	268P115020	PHOTO-COUP - SFH615A-3	
PC9A20	268P115020	PHOTO-COUP - SFH615A-3	
PJ2E00	451C268010	JACK MICROPHONE 1P	
PJ2J01	440C454010	PIN-JACK-BOARD-4P-2S	
PJ2J02	440C453010	PIN-JACK-BOARD-5P-2S	
PJ2J03	440C455010	PIN-JACK-BOARD	abc
PJ2J03	440C455020	PIN-JACK-BOARD-5P-2S	de
PJ2J04	440C452010	PIN-JACK-BOARD-2P-1S	
PJ2J05	440C452010	PIN-JACK-BOARD-2P-1S	
PJ2J06	440C452010	PIN-JACK-BOARD-2P-1S	
PJ2J11	440C412060	PIN-JACK-BOARD-3P-1S	

MODEL: WD-Y57 / WD-Y65 / WD-57732 / WD-65732 / WD-73732

[#] Model Legend: (a) WD-57732, (b) WD-65732, (c) WD-73732, (d) WD-Y57, (e) WD-Y65

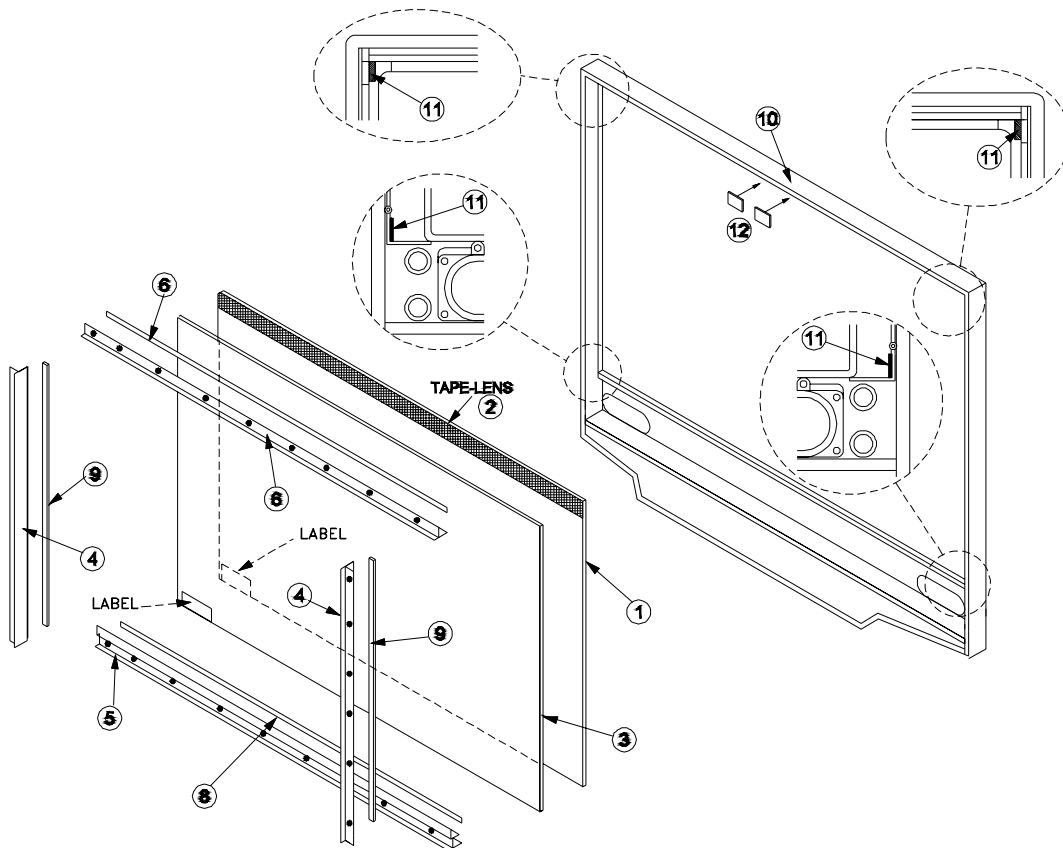
Ref #	Part #	Part Name & Description	[#]
TU100	295P540020	TUNER-NTSC/ATSC	
TU101	295P540030	TUNER-NTSC/ATSC	
X1500	285P459080	QTZ-CRYST - 25.140MHZ	
X2296	285P459090	QTZ-CRYST - 28.322MHZ	
X2M47	285P459050	QTZ-CRYST - SM-49 20.00MHZ	
X7A13	285P459040	QTZ-CRYST - 16MHZ	
X7G01	285P391030	OSC - 74.175824MHZ	
X7G02	285P431040	QTZ-CRYST - 27.00MHZ	
X7P09	285P459020	QTZ-CRYST - 8MHZ	
X7R01	285P459030	QTZ-CRYST - 10MHZ	
X8001	285P464020	QTZ-CRYST - 26.1621MHZ	
X8201	285P403020	QTZ-CRYST - 32.768MHZ	
X8301	285P464010	QTZ-CRYST - 7.3728MHZ	
X8402	285P464040	QTZ-CRYSTAL - 24.576MHZ	
X8403	285P464040	QTZ-CRYSTAL - 24.576MHZ	
X8501	285P464030	QTZ-CRYSTAL - 18.24MHZ	
X8G01	299P311010	CERAMIC-OSC - CSTCG24M0	
X8H26	285P426050	QTZ-CRYST - 10.00MHZ	
Z7K01	938P005010	UNIT-PREAMP - GP1UM283QK	
PRINTED CIRCUIT BOARDS			
	934C223001	ASSY-PWB-TERMINAL	de
	934C223002	ASSY-PWB-TERMINAL	abc
	934C224004	ASSY-PWB-SIGNAL	
	934C225002	ASSY-PWB-DM	ab

Ref #	Part #	Part Name & Description	[#]
	934C225003	ASSY-PWB-DM	c
	934C225007	ASSY-PWB-DM	de
	934C228003	ASSY-PWB-POWER	
	934C229001	ASSY-PWB-INTERFACE	c
	935D889001	ASSY-PWB-FRONT	
	935D890002	ASSY-PWB-PREAMP	
	935D891001	ASSY-PWB-SW-LAMP	
	935D893001	ASSY-PWB-E2P	
	935D894001	ASSY-PWB-CONT 1	c
	935D902001	ASSY-PWB-CONT2	abde
	935D903001	ASSY-PWB-CONT3	abde
	955C289001	ASSY-PWB-ENG-PWR	c
COSMETIC PARTS			
	716C044010	BADGE - BRAND	abde
	760A019020	INLAY TERMINAL	abc
	760A019030	INLAY TERMINAL	de
	760C789010	INLAY-FRONT CONSOLE	abde
ACCESSORIES			
	242D483020	IR-MOUSE	
	290P137010	REMOTE-CONTROL	
	I/B WDY57	GUIDE-OWNER	
	I/QR WD757	QR GUIDE	

MODEL: WD-Y57 / WD-Y65 / WD-57732 / WD-65732 / WD-73732

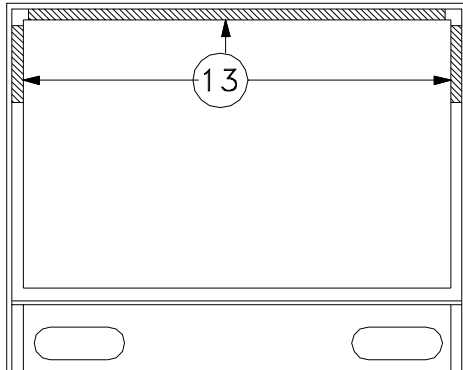
[#] Model Legend: (a) WD-Y57, (b) WD-Y65, (c) WD-57732 (d) WD-65732 (e) WD-73732

Ref #	Part #	Part Name & Description	[#]	Ref #	Part #	Part Name & Description	[#]
SCREEN ASSEMBLY PARTS				WD-57732 SCREEN PARTS			
WD-Y57 SCREEN PARTS				WD-57732 SCREEN PARTS			
(1)	491P199080	SCREEN-LENTICULAR		(1)	491P199010	SCREEN-LENTICULAR	
(2)	096Z465030	TAPE-LENS		(2)	096Z465030	TAPE-LENS	
(3)	491P202080	LENS-FRESNEL		(3)	491P202010	LENS-FRESNEL	
(4)	593B211030	SCREEN-HOLDER-S		(4)	593B211030	SCREEN-HOLDER-S	
(5)	593B213010	SCREEN-HOLDER-B		(5)	593B213010	SCREEN-HOLDER-B	
(6)	593B214030	SCREEN-HOLDER-T		(6)	593B214030	SCREEN-HOLDER-T	
(7)	622C455030	SCREEN-CUSHION-TOP		(7)	622C455030	SCREEN-CUSHION-TOP	
(8)	622C474030	SCREEN-CUSHION-BTM		(8)	622C474030	SCREEN-CUSHION-BTM	
(9)	622C474070	SCREEN-CUSHION-SIDE		(9)	622C474070	SCREEN-CUSHION-SIDE	
(10)	761A327020	BEZEL-FRONT-FULL		(10)	761A331020	BEZEL-FRONT	
(11)	622C487010	SCREEN-CUSHION-CORNER		(11)	622C487010	SCREEN-CUSHION-CORNER	
(12)	622C487020	SCREEN-SPACER-TOP-SMALL		(12)	622C487020	SCREEN-SPACER-TOP-SMALL	
(13)	620D204020	TAPE-BEZEL		(13)	620D204020	TAPE-BEZEL	
WD-Y65 SCREEN PARTS				WD-65732 SCREEN PARTS			
(1)	491P199030	SCREEN-LENTICULAR		(1)	491P199030	SCREEN-LENTICULAR	
(2)	096Z465030	TAPE-LENS		(2)	096Z465030	TAPE-LENS	
(3)	491P202030	LENS-FRESNEL		(3)	491P202030	LENS-FRESNEL	
(4)	593B211050	SCREEN-HOLDER-S		(4)	593B211050	SCREEN-HOLDER-S	
(5)	593B213020	SCREEN-HOLDER-B		(5)	593B213020	SCREEN-HOLDER-B	
(6)	593B214040	SCREEN-HOLDER-T		(6)	593B214040	SCREEN-HOLDER-T	
(7)	622C455010	SCREEN-CUSHION-TOP		(7)	622C455010	SCREEN-CUSHION-TOP	
(8)	622C474020	SCREEN-CUSHION-BTM		(8)	622C474050	SCREEN-CUSHION-SIDE	
(9)	622C474050	SCREEN-CUSHION-SIDE		(9)	622C474020	SCREEN-CUSHION-BTM	
(10)	761A328020	BEZEL-FRONT-FULL		(10)	761A332020	BEZEL-FRONT	
(11)	622C487010	SCREEN-CUSHION-CORNER		(11)	622C487010	SCREEN-CUSHION-CORNER	
(12)	622C487020	SCREEN-SPACER-TOP-SMALL		(12)	622C487020	SCREEN-SPACER-TOP-SMALL	
(13)	620D204020	TAPE-BEZEL		(13)	620D204020	TAPE-BEZEL	

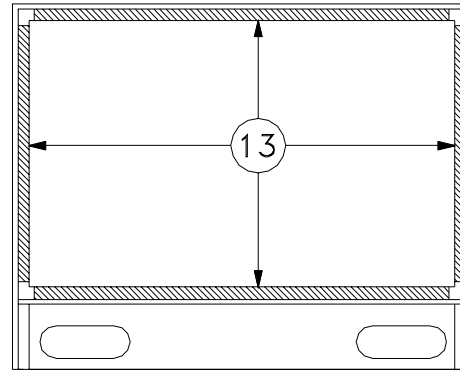


MODEL: WD-57Y / WD-65Y / WD-57732 / WD-65732 / WD-73732

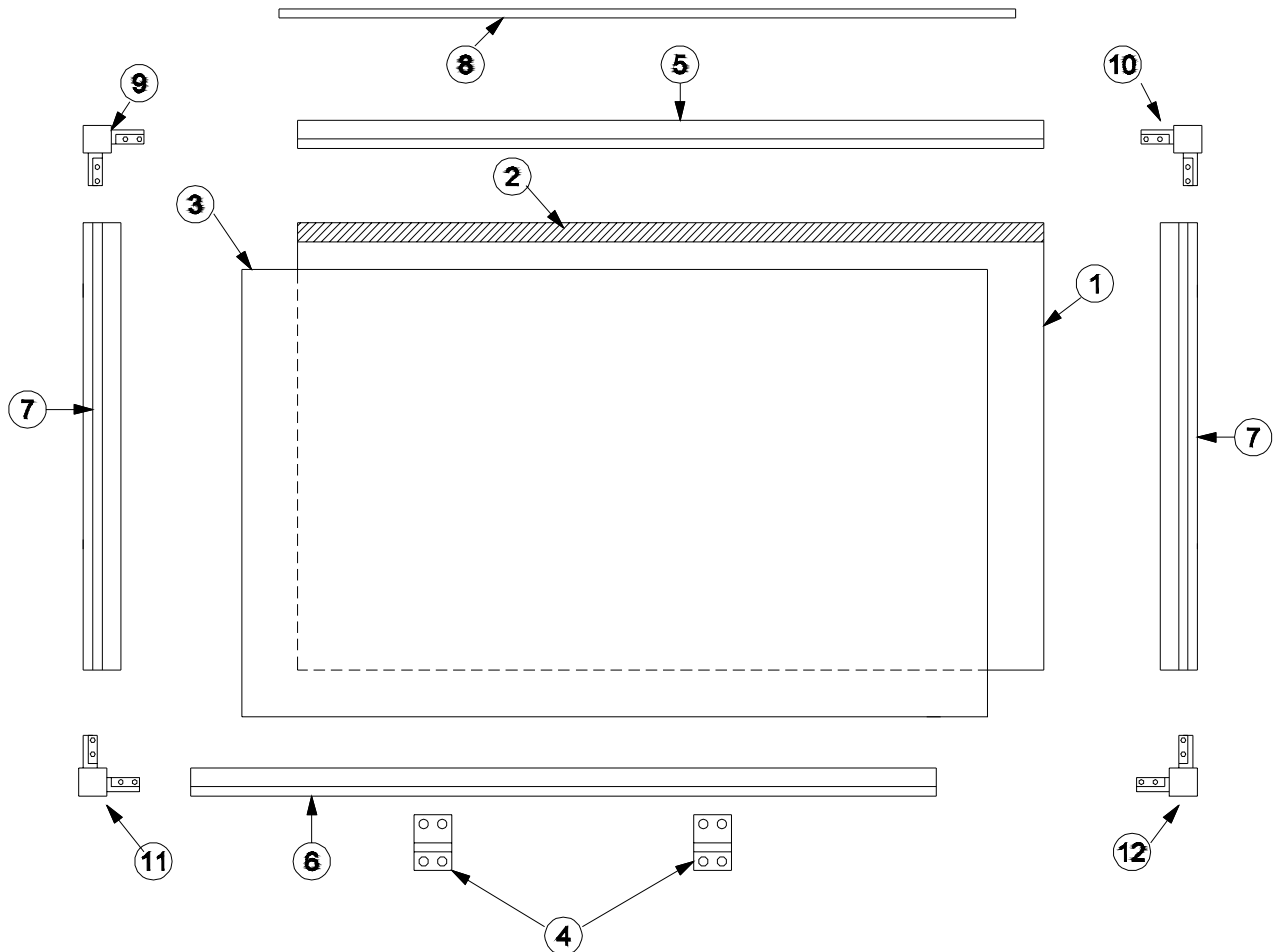
WD-57732, WD-57Y, & WD-65Y



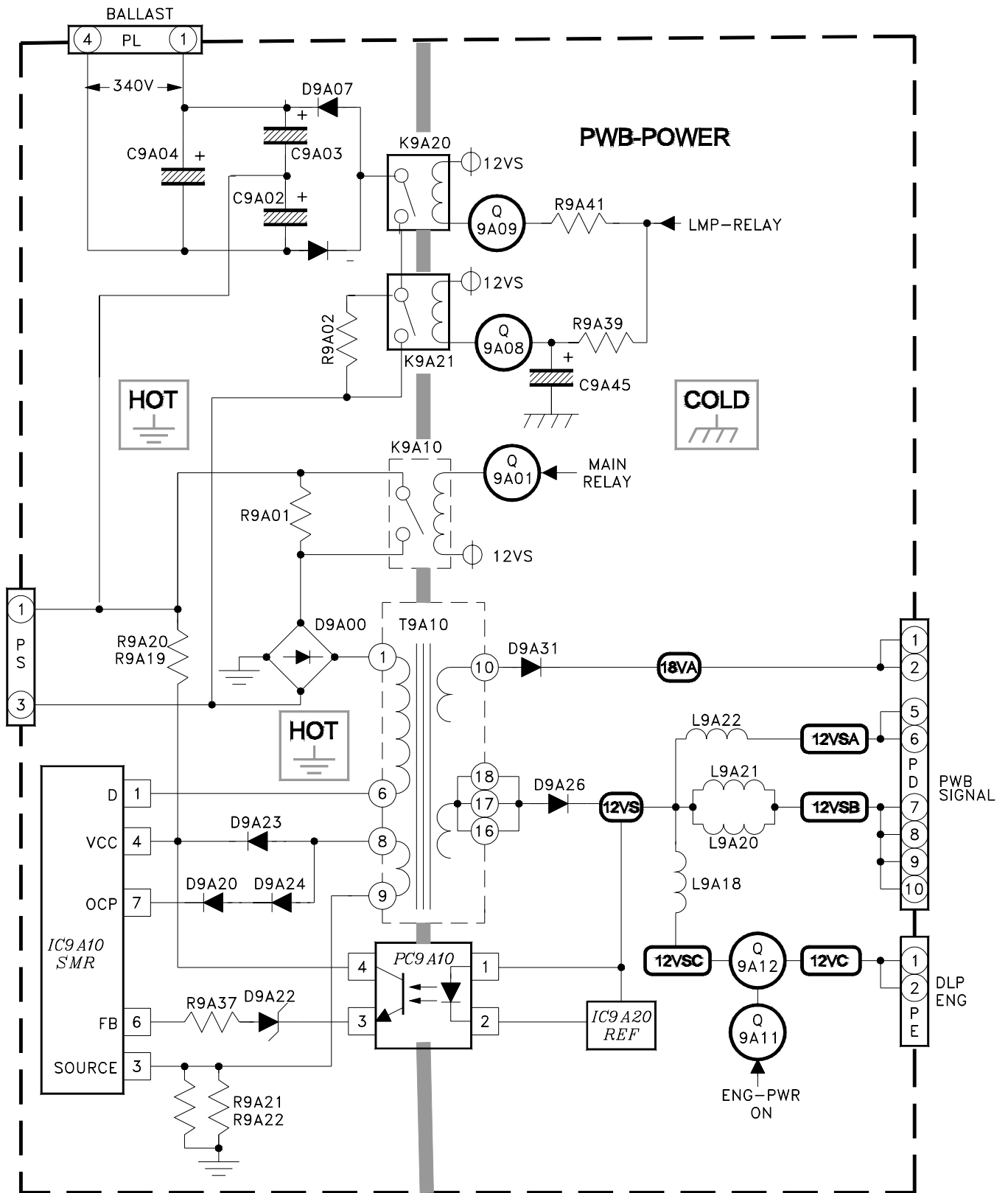
WD-65831 & WD-65732



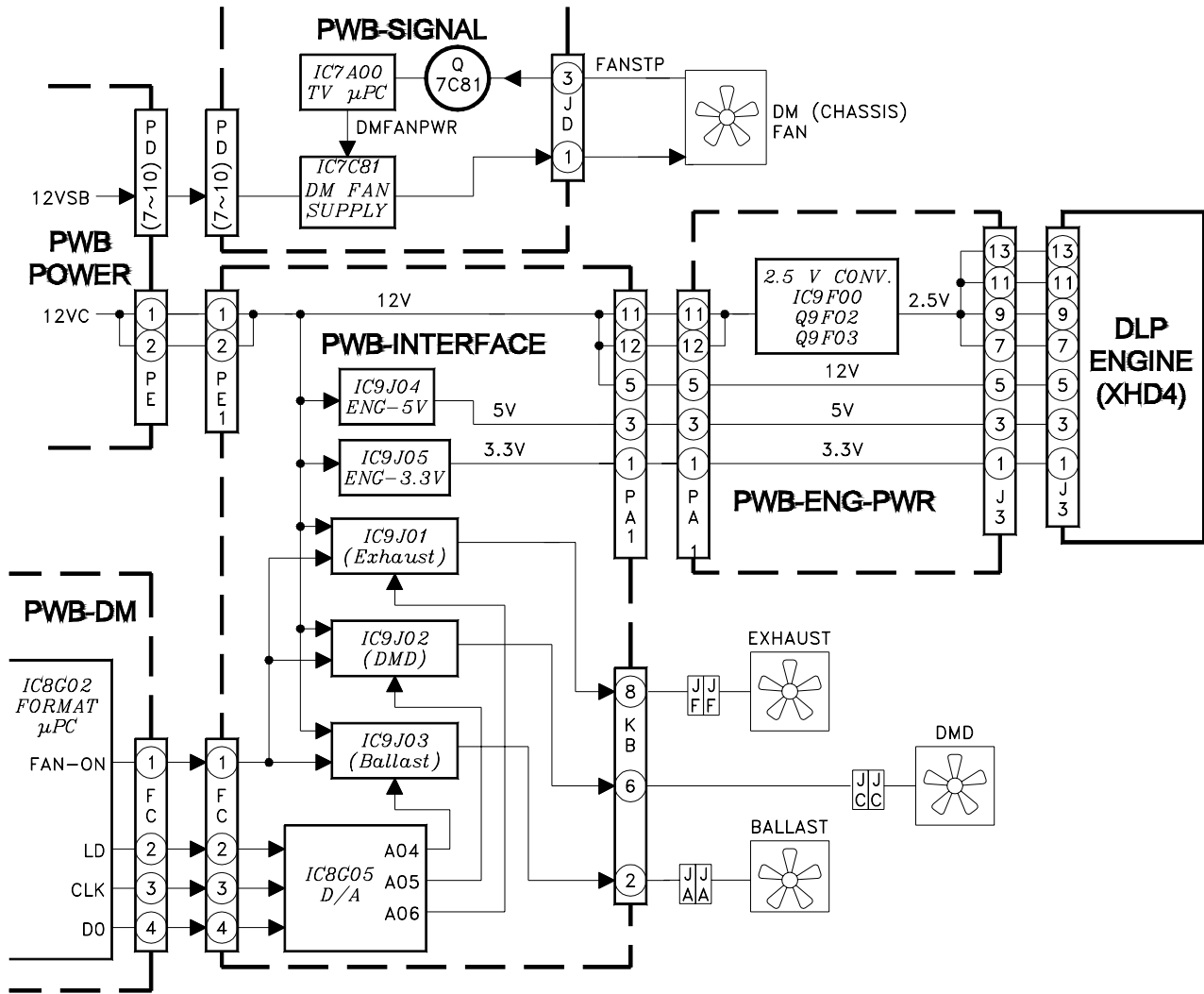
Ref #	Part #	Part Name & Description	[#]	Ref #	Part #	Part Name & Description	[#]
WD-73732 SCREEN PARTS							
(1)	491P198010	SCREEN-LENTICULAR		(7)	711C063030	FRAME-SCREEN-S	
(2)	096Z465030	TAPE-LENS		(8)	703C075010	COVER-FRAME-TOP	
(3)	491P202040	LENS-FRESNEL		(9)	768C084040	CAP-CORNER - TOP RIGHT	
(4)	595C114010	SCREEN-FRAME-BRACKET		(10)	768C084030	CAP-CORNER - TOP LEFT	
(5)	711C061020	FRAME-SCREEN-T		(11)	768C087040	CAP-CORNER - BTM RIGHT	
(6)	711C062030	FRAME-SCREEN-B		(12)	768C087030	CAP-CORNER - BTM LEFT	



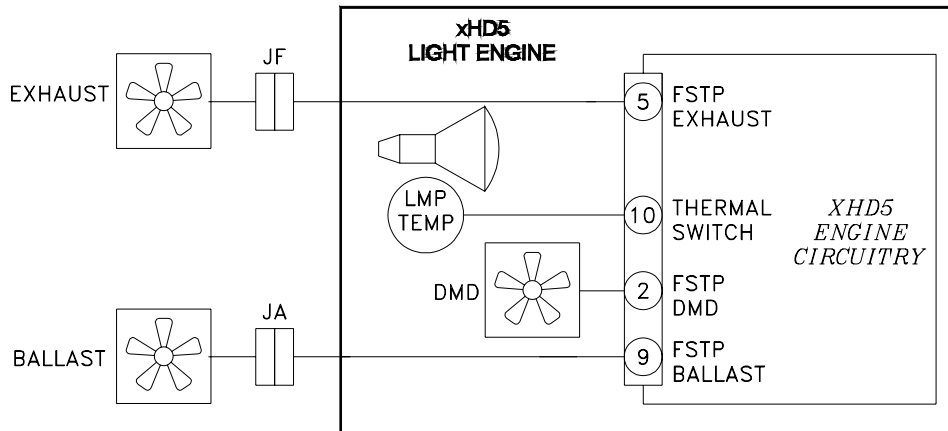
MAIN POWER SUPPLY

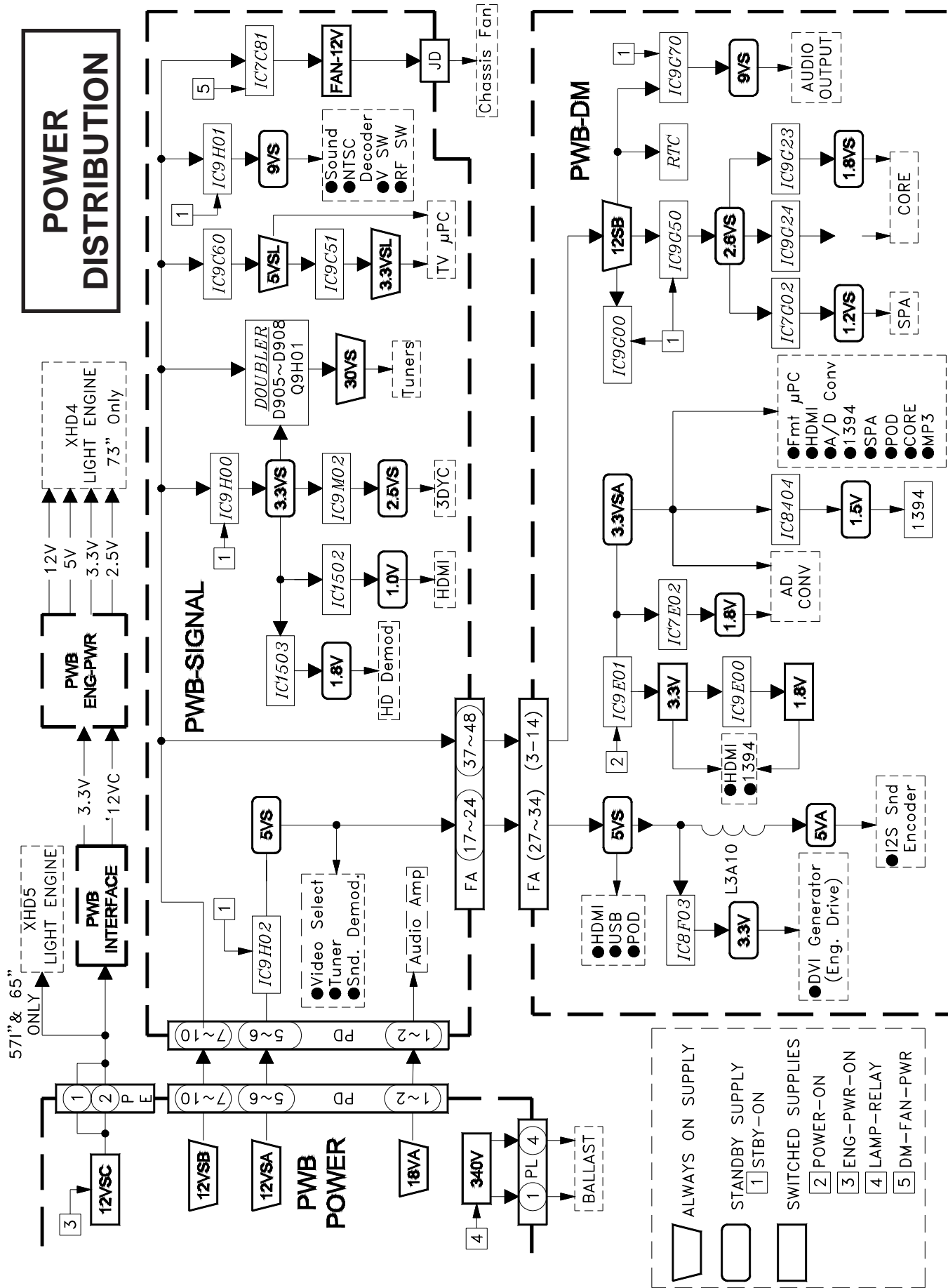


Engine & Fan Supplies (73" models only)



Engine & Fan Supplies (57" & 65" models only)





POWER DISTRIBUTION

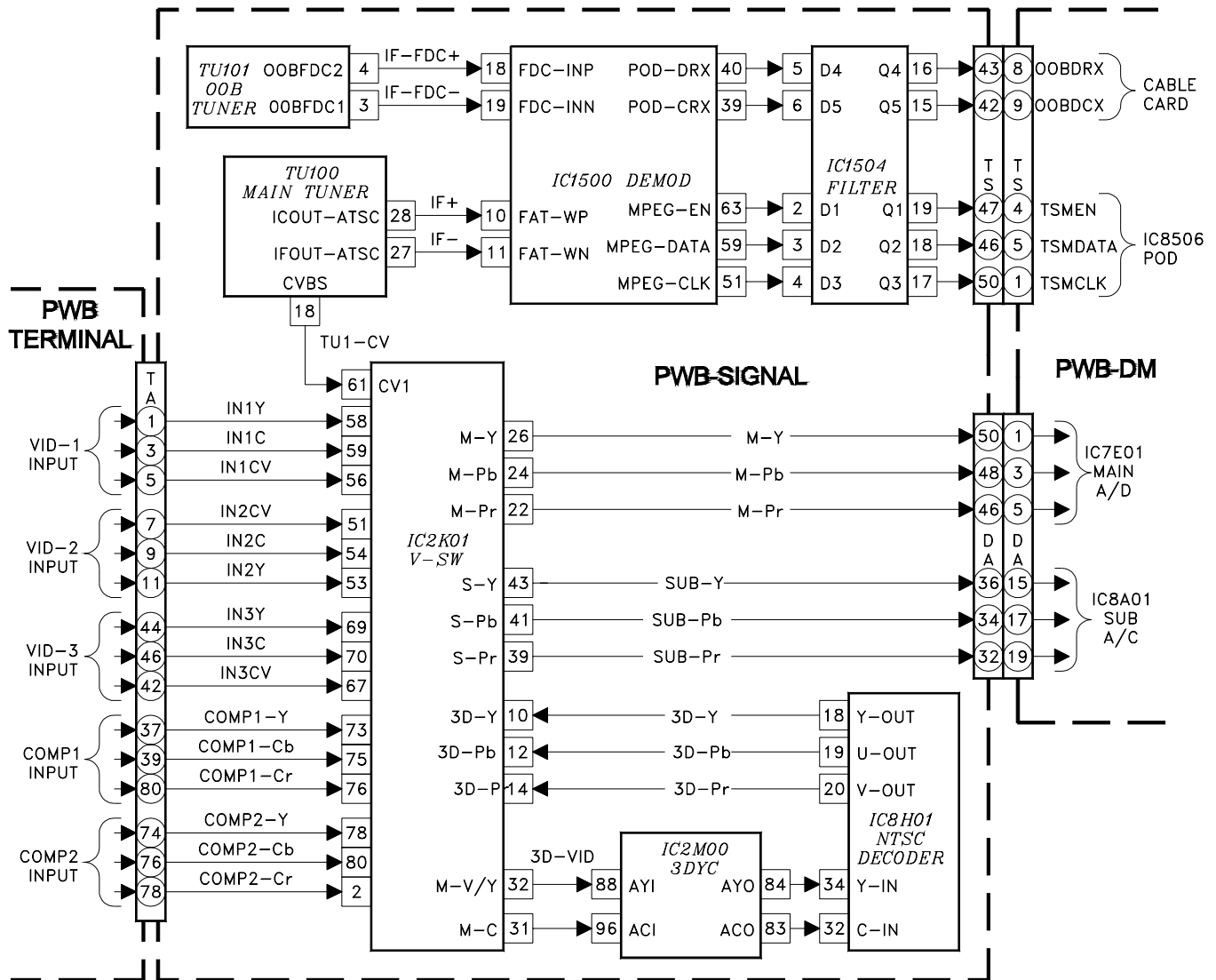
PWB-DM

PWB-SIGNAL

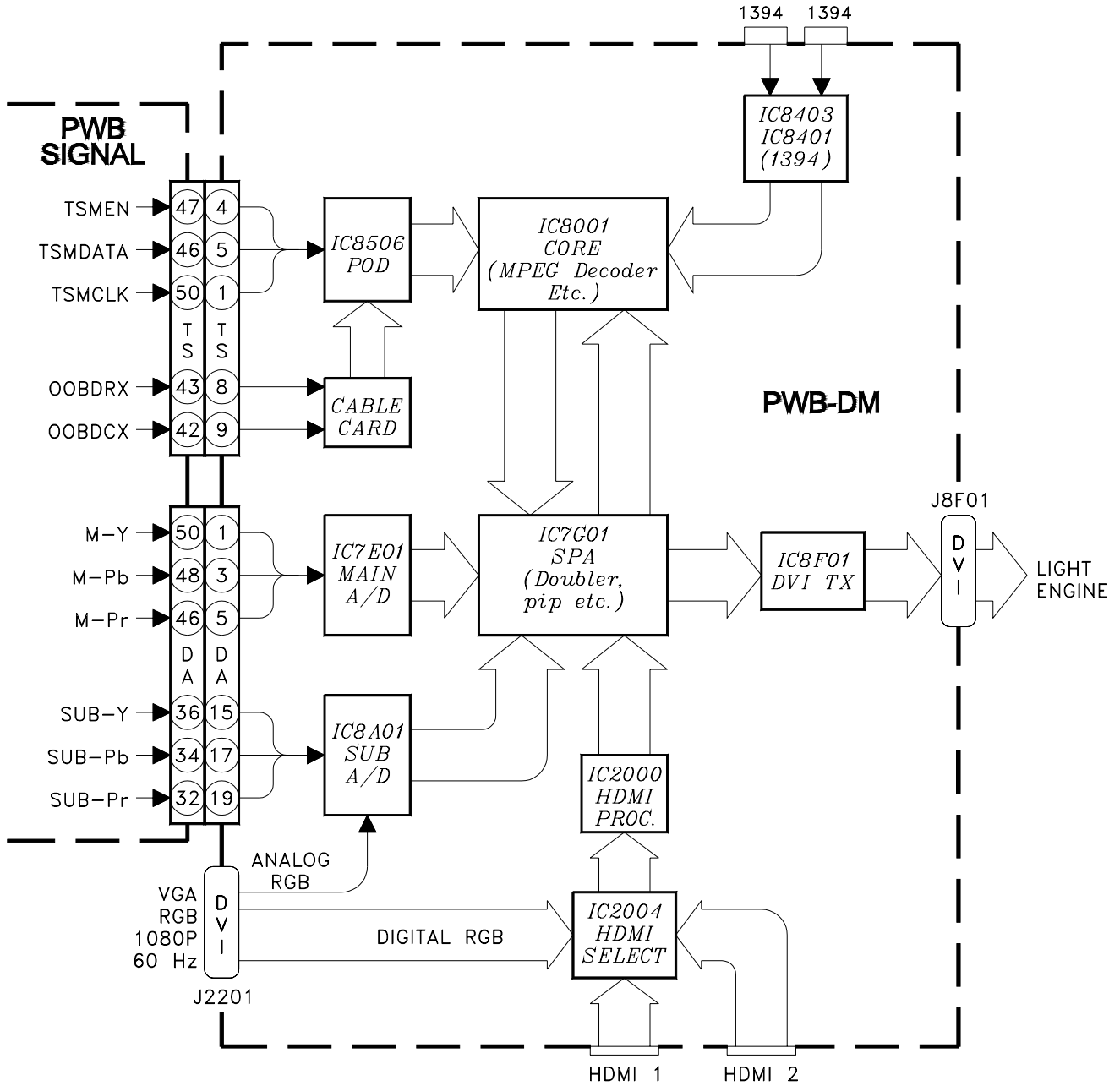
PWB POWER

- ALWAYS ON SUPPLY
- STANDBY SUPPLY
 - 1 STBY-ON
- SWITCHED SUPPLIES
 - 2 POWER-ON
 - 3 ENG-PWR-ON
 - 4 LAMP-RELAY
 - 5 DM-FAN-PWR

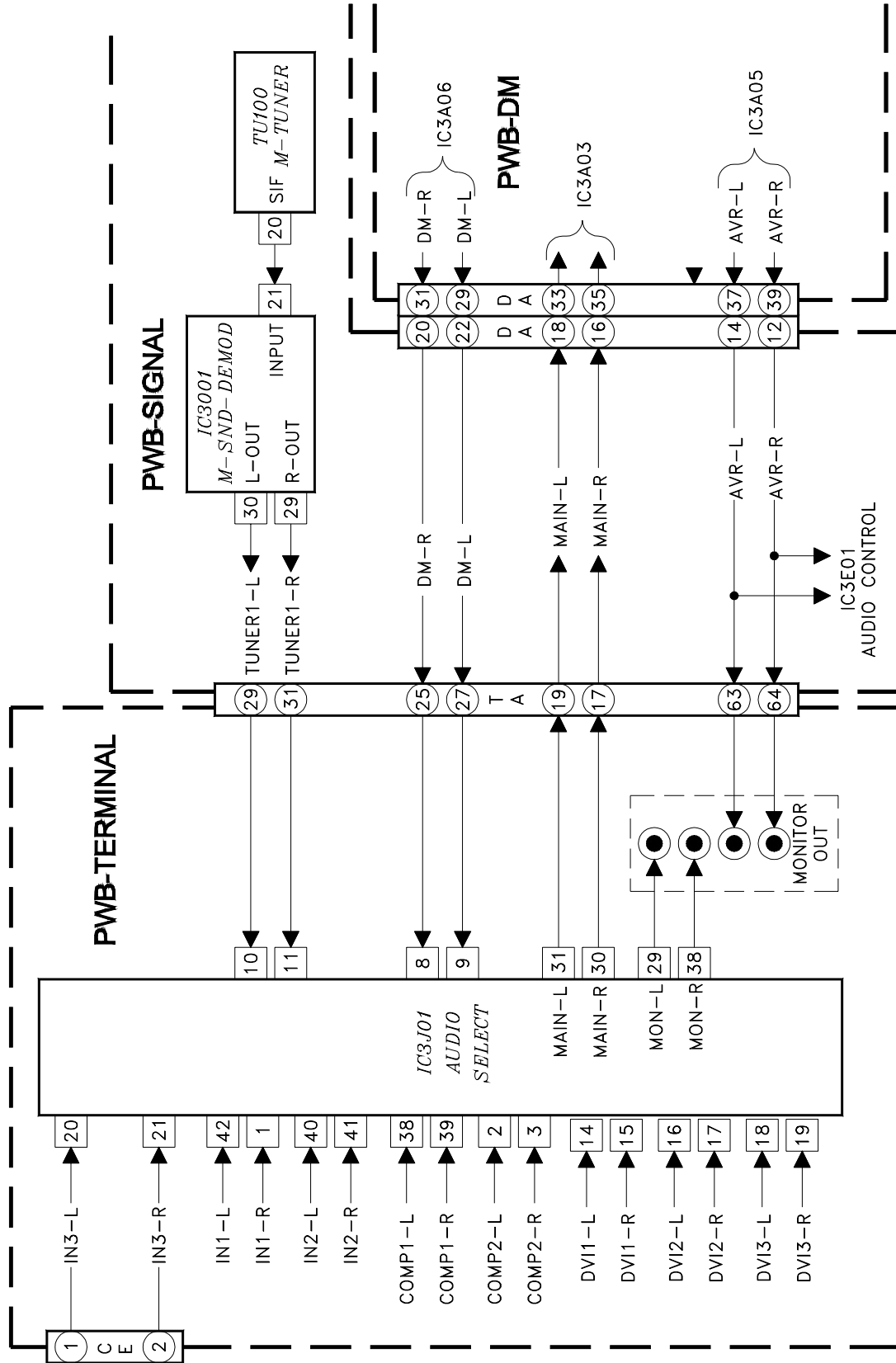
PWB-SIGNAL VIDEO PATH

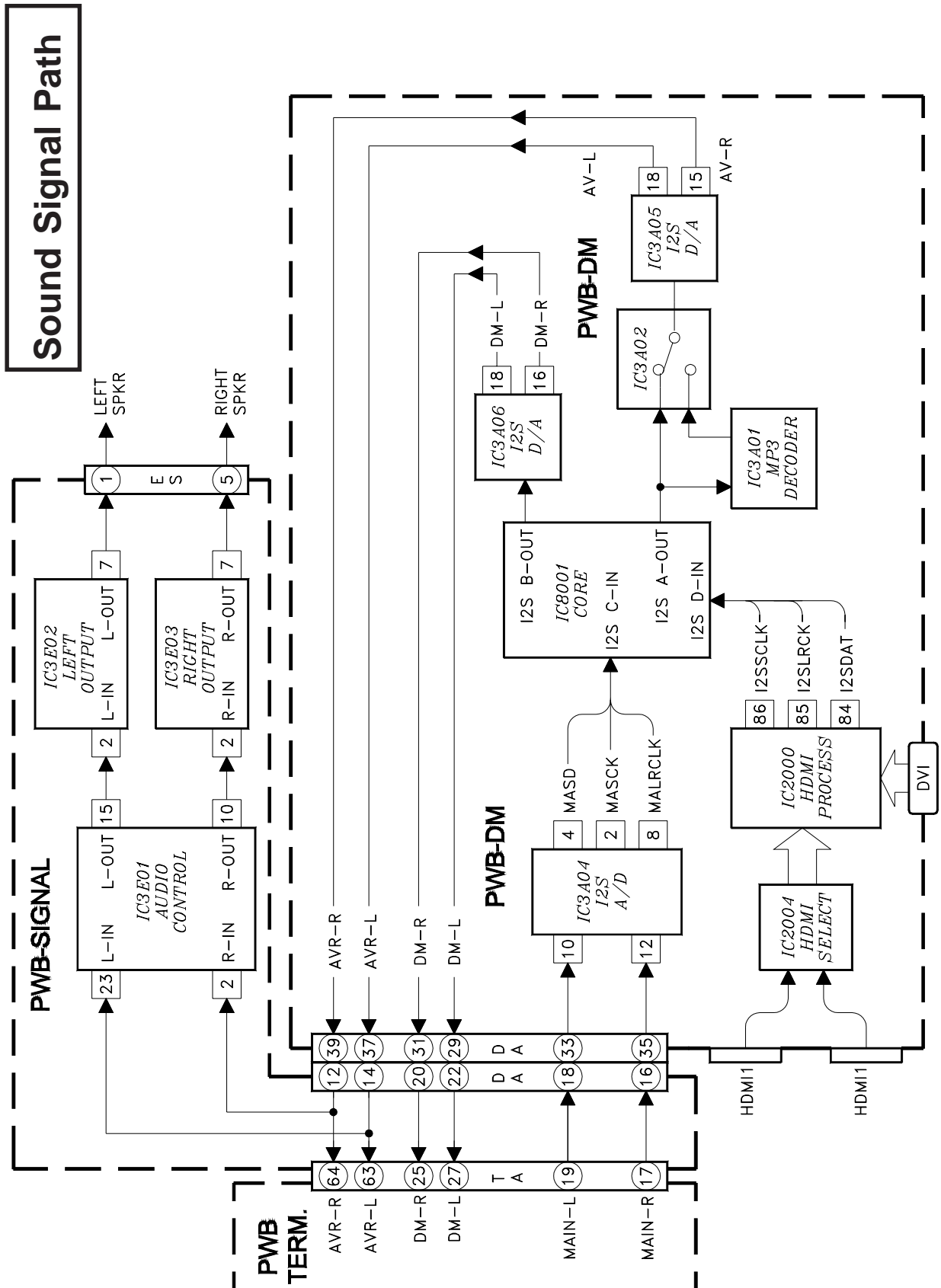


PWB-DM Video Path

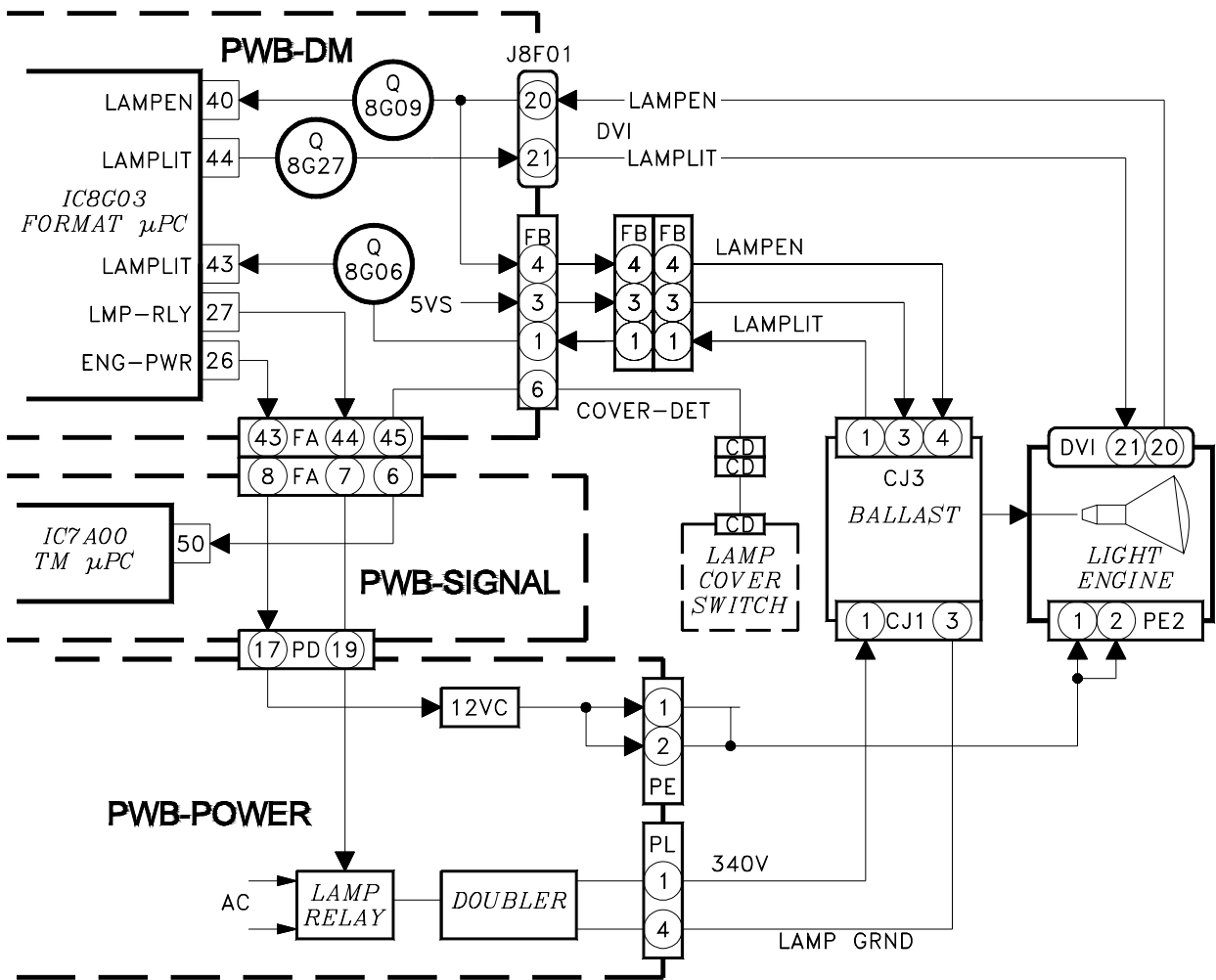


Sound Select Circuitry

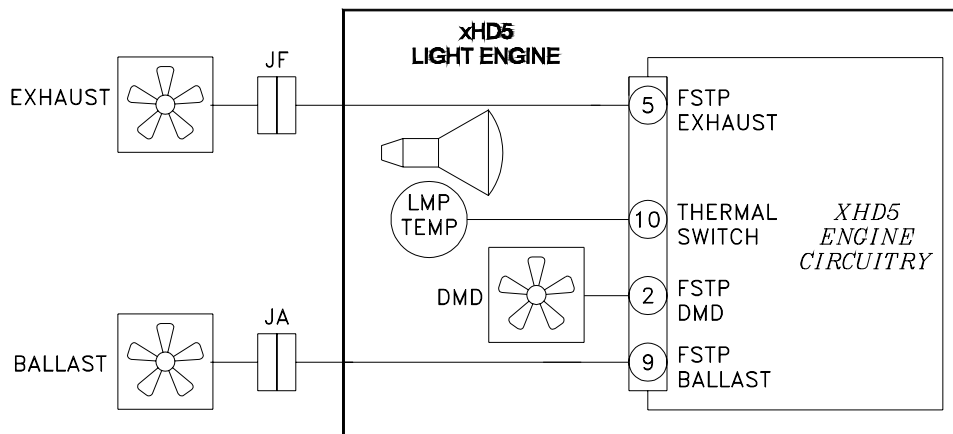




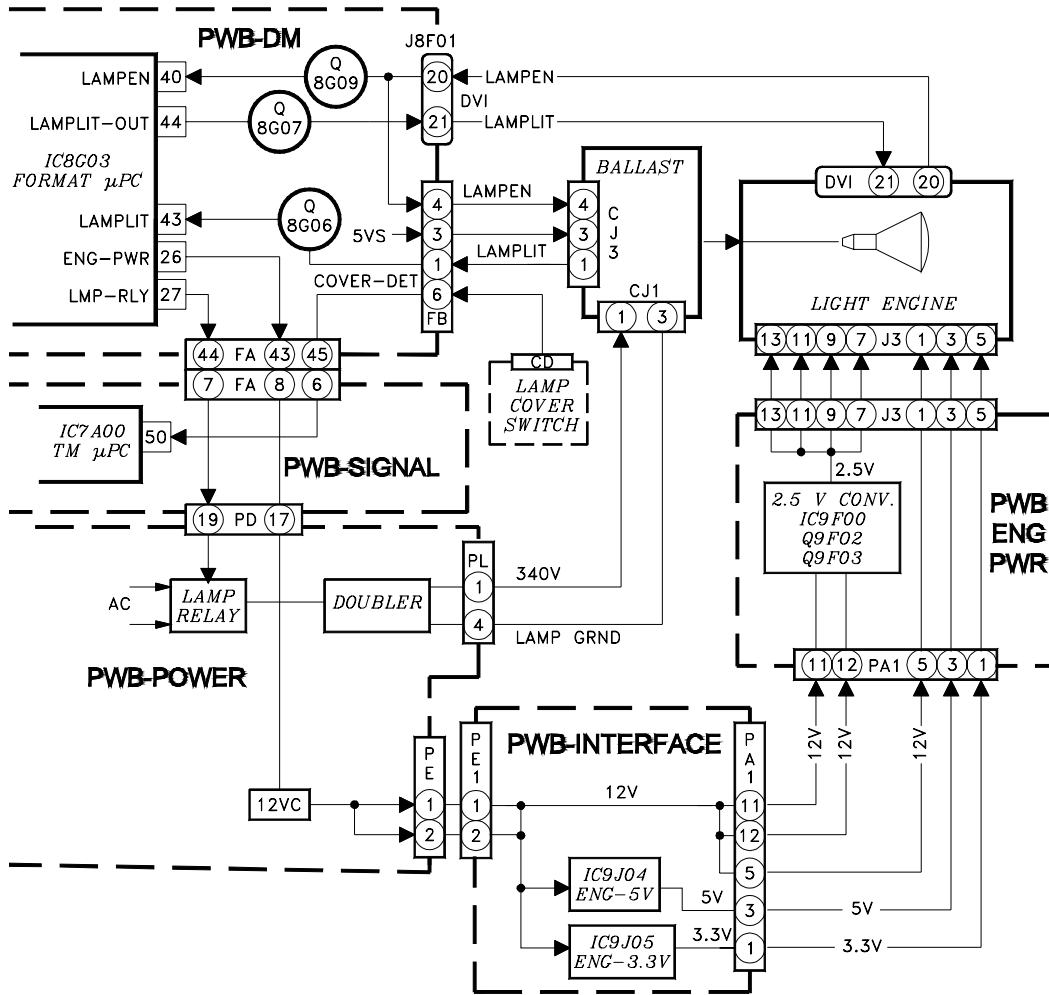
Lamp Control 57" & 65" Models



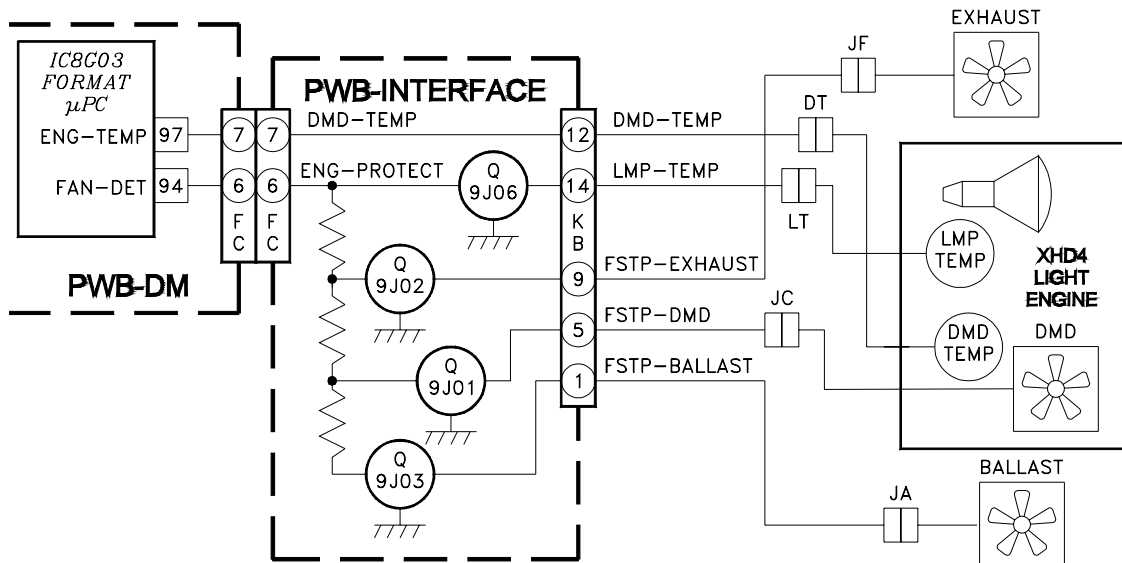
57" & 65" Engine Protect Cricuitry



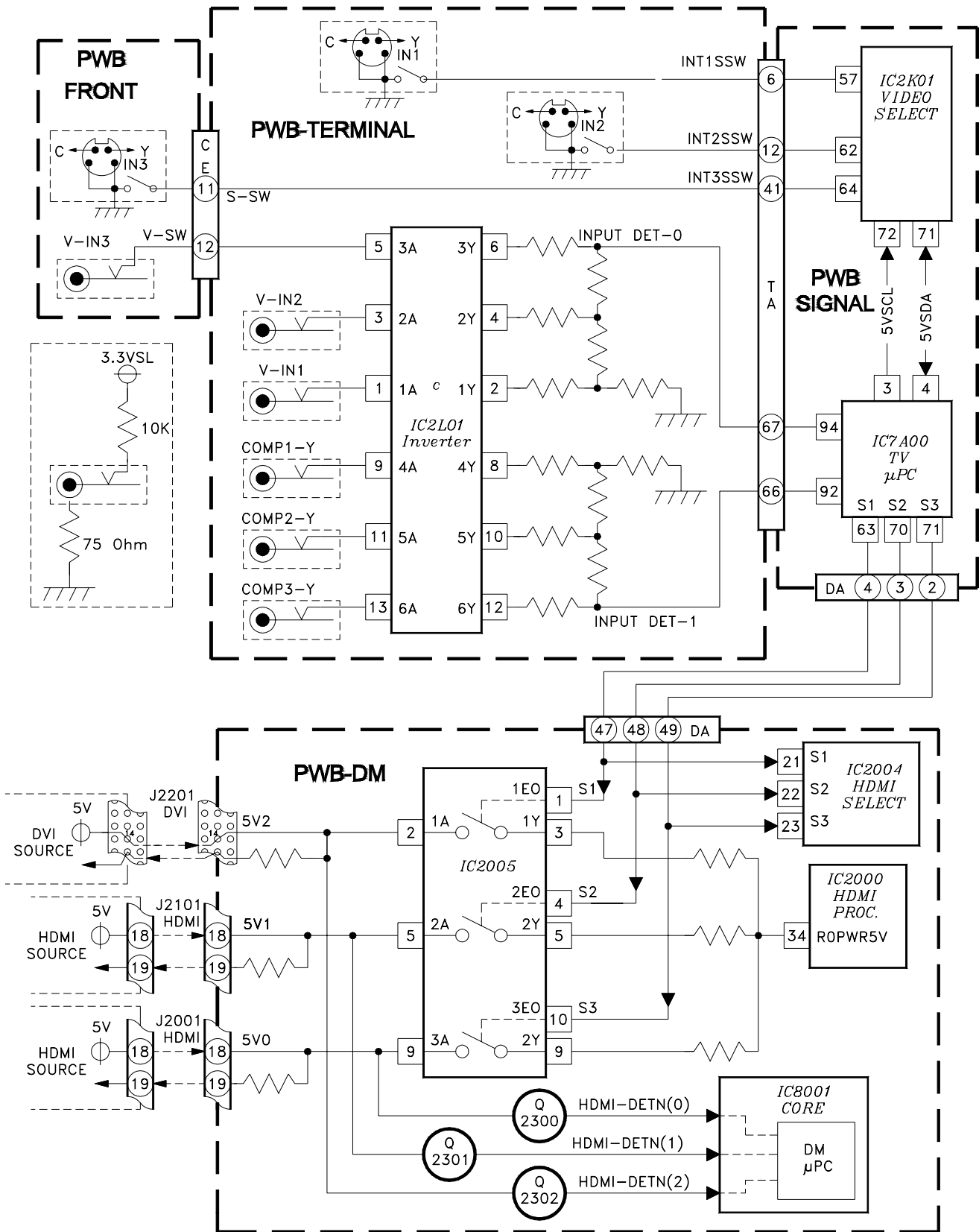
Lamp Control 73" Models



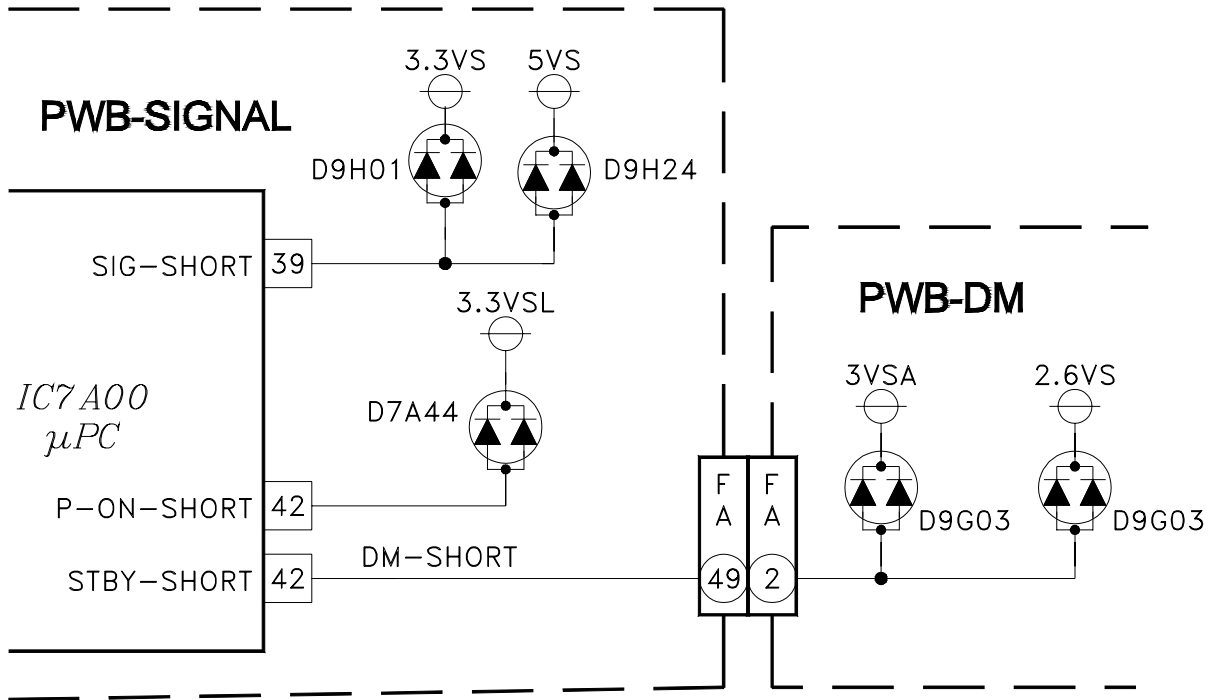
73" Models Engine Protect Circuitry

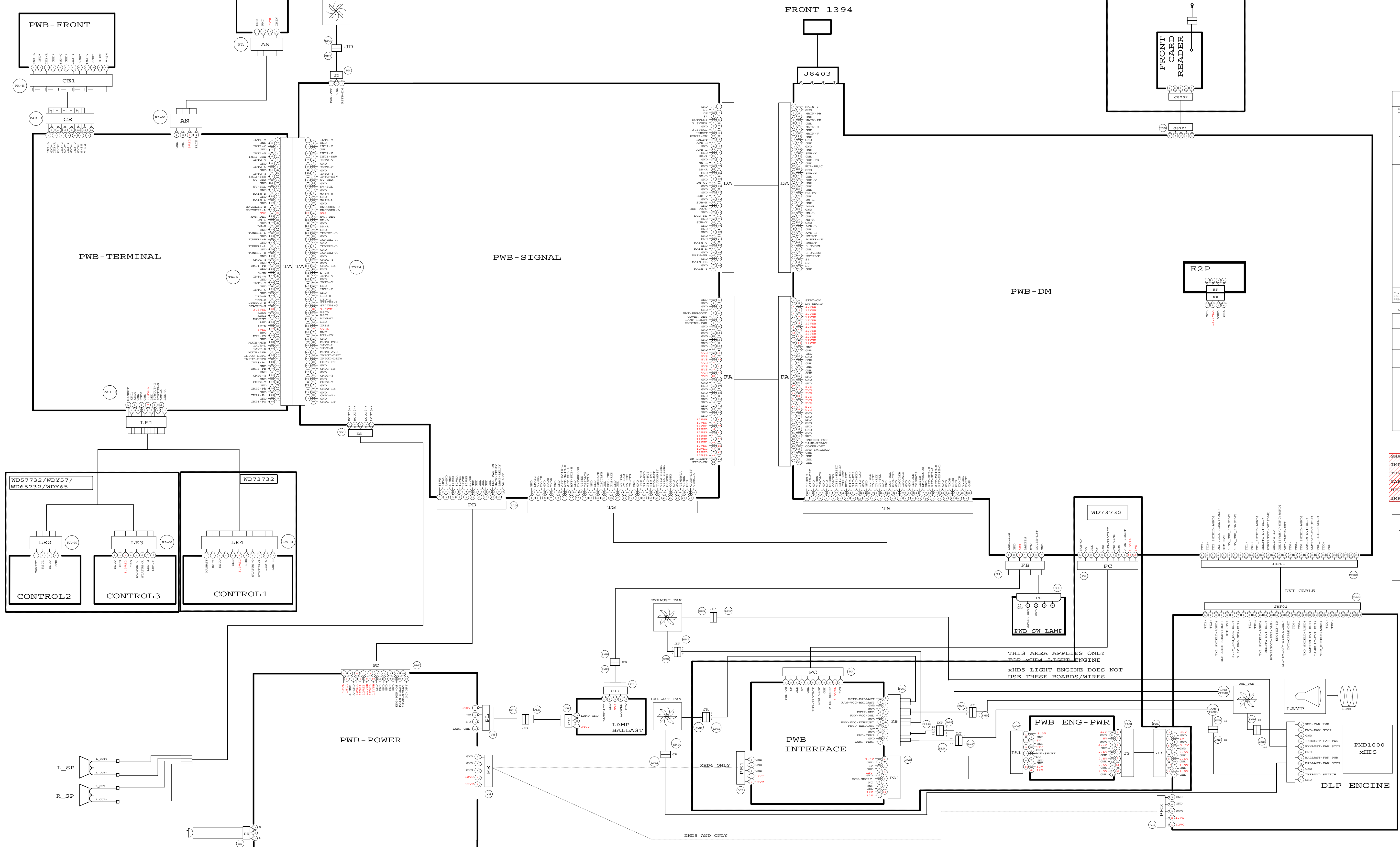


Auto Input Detection



Short Protect Circuit





* NOTES

1. DC voltages were measured from points indicated to the circuit ground with a high-Z voltmeter.
2. Wave form were taken with standard color bar signal.
3. TPI, etc. show test points.
4. CAPACITOR

Value	Not indicated	PF, for numbers more than 1 UF, for numbers less than 1
Dielectric strength	Not indicated	- 50V
Tolerance	Not indicated	+/- 10% No tolerance is indicated for electrolytic capacitor
Type	Not indicated	<ul style="list-style-type: none"> □ Ceramic capacitor □ Polypropylene film capacitor □ Aluminum electrolytic capacitor □ Twin film capacitor □ Semiconductor Ceramic capacitor □ Metallized paper □ Chip □ Metallized plastic film capacitor □ Metallized polyester capacitor □ Polyester polypropylene film capacitor □ Mylar capacitor □ Tantalum capacitor □ Electrolytic capacitor □ Non polarized electrolytic capacitor □ Chip □ Non polarized electrolytic capacitor chip
Characteristic Impedance	Not indicated	Ω, P or M (high dielectric percentage)
Temp. Coeff.	Not indicated	°C, SL, etc. : Temperature compensating types

5. RESISTOR

Value	Not indicated	Ω K = 1,000 Ohm M = 1,000,000 Ohm
Wattage	Parts except for chips	Not indicated = 1/4W or 1/2W Chips = 1/10W
Toler. Acc	Not indicated	+/- 5% D = +/- 0.5% F = +/- 1%
Type	Not indicated	<ul style="list-style-type: none"> □ Carbon resistor □ Fixed composition resistor □ Cemented resistor □ Wire wound resistor □ Metal film resistor □ Metal plate cement resistor □ Metal linear resistor □ Chip

* This is a basic schematic diagram. Some sets may be subject to modification according to engineering improvement.

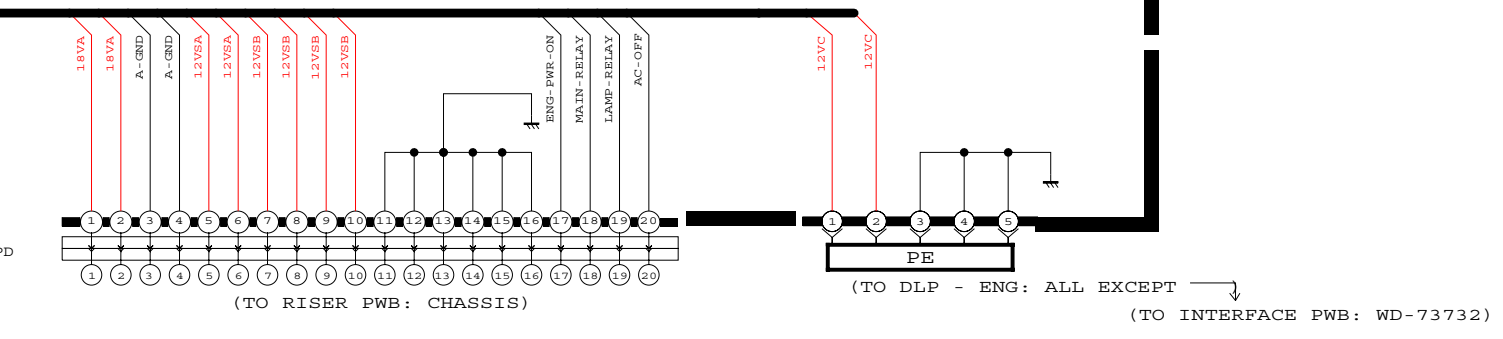
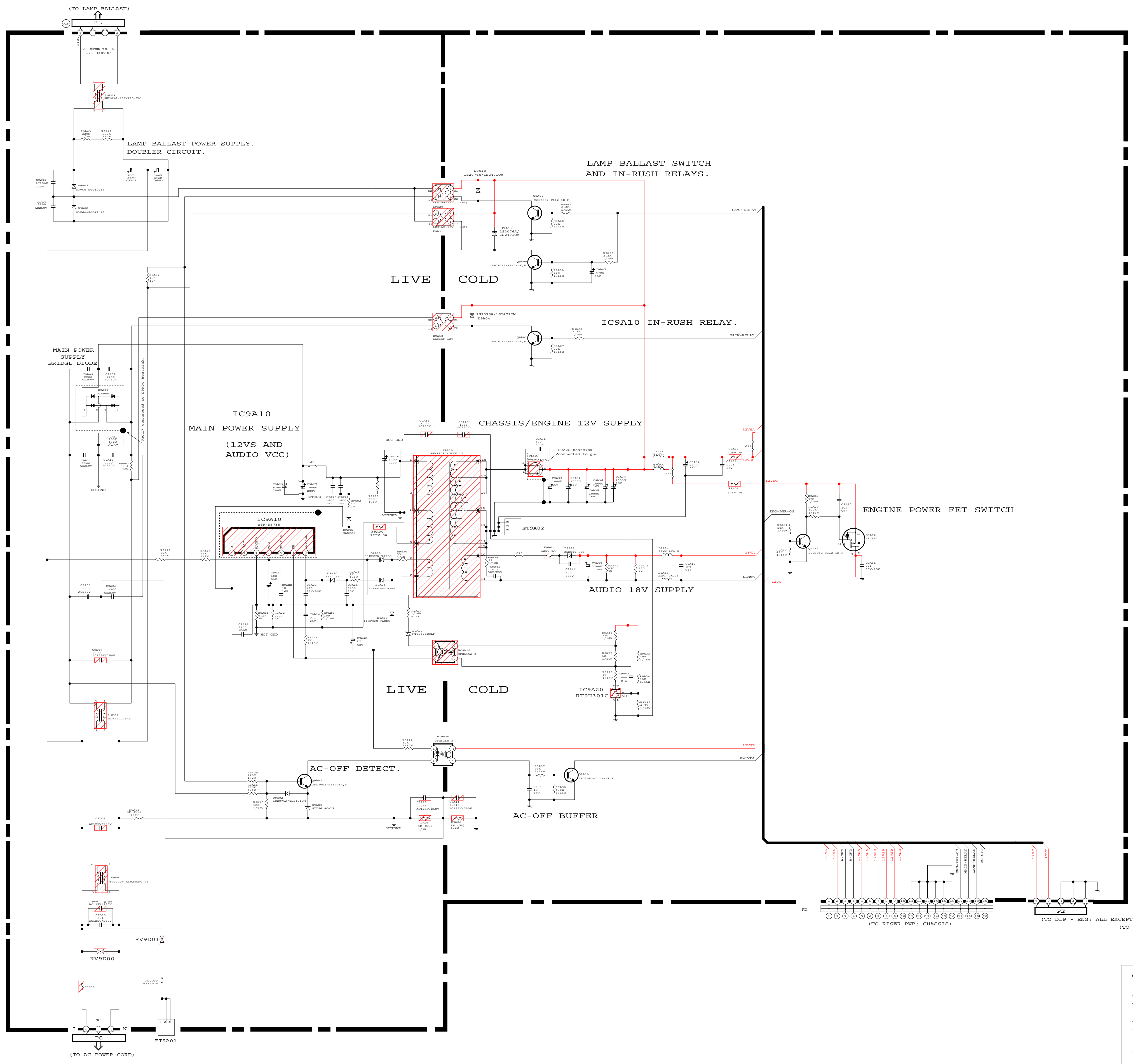
SHADE COMPONENTS HAVE SPECIAL CHARACTERISTICS IMPORTANT TO SAFETY. BEFORE REPLACING ANY OF THESE COMPONENTS, READ CAREFULLY THE PRODUCT SAFETY NOTICE IN THE SERVICE MANUAL. DON'T DEGRADE THE SAFETY OF THE RECEPTOR THROUGH IMPROPER SERVICING.

SERVICE TECHNICIAN WARNING:
X-RADIATION PRECAUTION
THIS PRODUCT INCLUDES CRITICAL ELECTRICAL AND MECHANICAL PARTS ESSENTIAL FOR X-RADIATION PROTECTION. TO AVOID POSSIBLE TO X-RADIATION TAKE RADIATION PROTECTIVE MEASURE FOR PERSONNEL DURING SERVICING. SEE SERVICE INSTRUCTION FOR SPECIFIED REPLACEMENT PARTS AND SERVICE ADJUSTMENTS.

CONTENTS

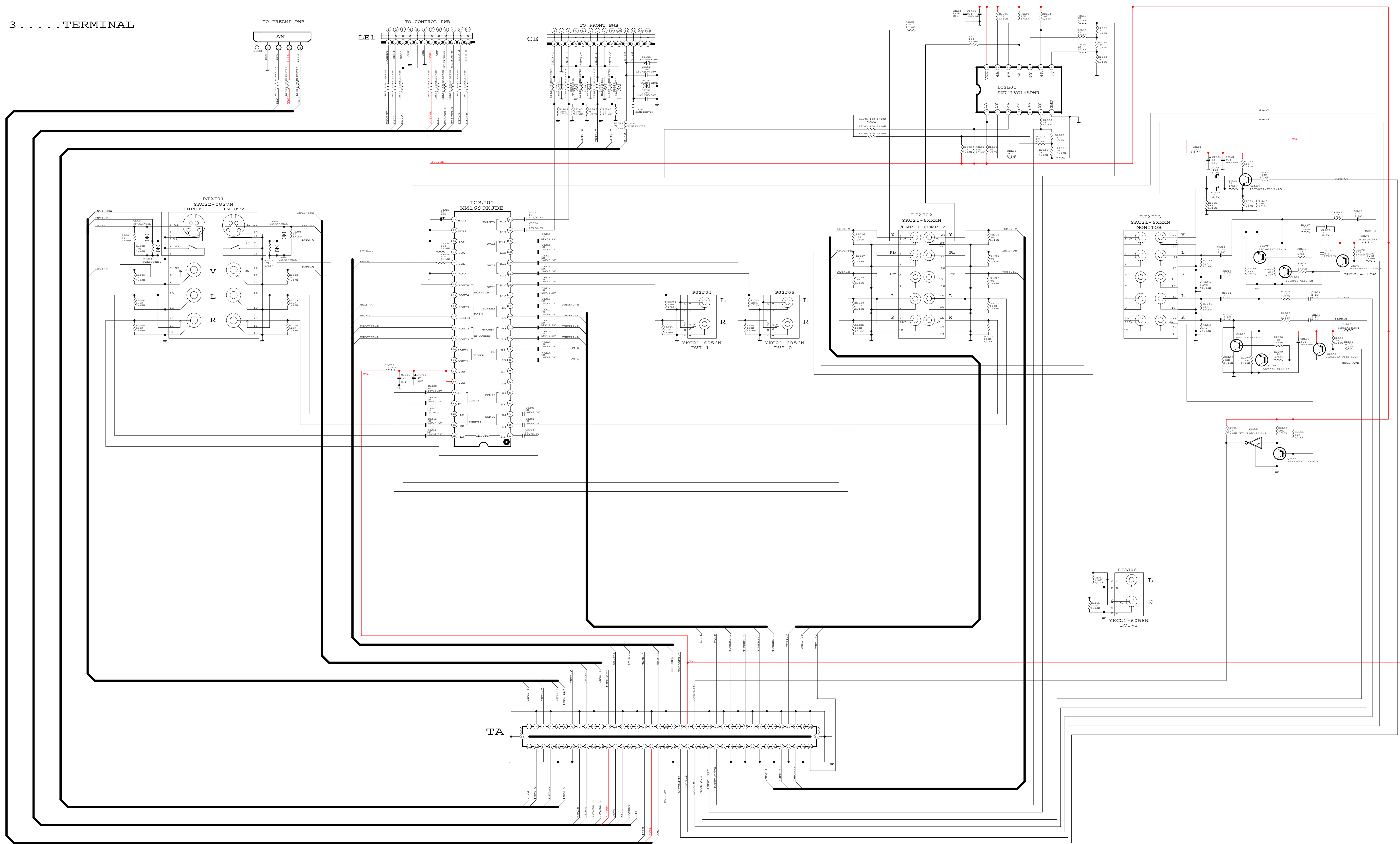
PG 1 BLOCK	PG 15 DM6 [1394/DVI/9]	WD-57732 V33+
PG 2 POWER	PG 16 DM7 [DM60]	WD-65732 V33+
PG 3 TERMINAL	PG 17 DM8 [DMADC-MAIN]	WD-73732 V33+
PG 4 SIGNAL1 [TV MICRO]	PG 18 DM9 [DMADC-PCSUB]	WD-Y57 V33Y
PG 5 SIGNAL2 [AUDIO / P/C MICRO]	PG 19 DM10 [SPAL]	WD-Y65 V33Y
PG 6 SIGNAL3 [VIDEO SWITCH / DDC6 CONVERTER]	PG 20 DM11 [SPAL]	
PG 7 SIGNAL4 [3DVIC / MISC CONVERTER]	PG 21 DM12 [DM6DC]	
PG 8 SIGNAL5 [TUNER / DEMOD]	PG 22 DM13 [DVI]	
PG 9 SIGNAL6 [TVGDS]	PG 23 DM14 [DMAUDIO]	
PG 10 DM1 [DM6DM]	PG 24 DM15 [PRPMICRO]	
PG 11 DM2 [DM6DM]	PG 25 MIC FRONT/CONTROL/PREAMP/E2P/SW/LAMP]	
PG 12 DM3 [DM6DM/DC]	PG 26 [INTERFACE / ENG-PWR]	
PG 13 DM4 [DM6DM/USB]		
PG 14 DM5 [DM6DM/AV]		

A
B
C
D
E
F
G
H
I
J
K



CONTENTS		
PG 1BLOCK	PG 15DM6 [1394/DVI/F]	WD-57732 V33+
PG 2POWER	PG 16DM7 [DMOD]	WD-65732 V33+
PG 3TERMINAL	PG 17DM8 [DMADC-MAIN]	WD-73732 V33+
PG 4SIGNAL1 [TV MICRO]	PG 18DM9 [DMADC-PCSUB]	WD-Y57 V33Y
PG 5SIGNAL2 [AUDIO / PIC MICRO]	PG 19DM10 [SPA]	WD-Y65 V33Y
PG 6SIGNAL3 [VIDEO SWITCH / DCDC CONVERTER]	PG 20DM11 [SPA2]	
PG 7SIGNAL4 [3IYC / NTSC DECODER]	PG 21DM12 [DMDCDC]	
PG 8SIGNAL5 [TUNER1 / DEMOD1]	PG 22DM13 [DVI]	
PG 9SIGNAL6 [TVGOS]	PG 23DM14 [DMAUDIO]	
PG 10DM1 [DMHDMI]	PG 24DM15 [PMTMICRO]	
PG 11DM2 [DMCORE]	PG 25MISC [FRONT/CONTROL/PREAMP/B2P/SWLAMP]	
PG 12DM3 [DMMEMA/DC]	PG 26[INTERFACE / ENG-PWR]	
PG 13DM4 [DMMEMB/USB]		
PG 14DM5 [DMROM/AV]		

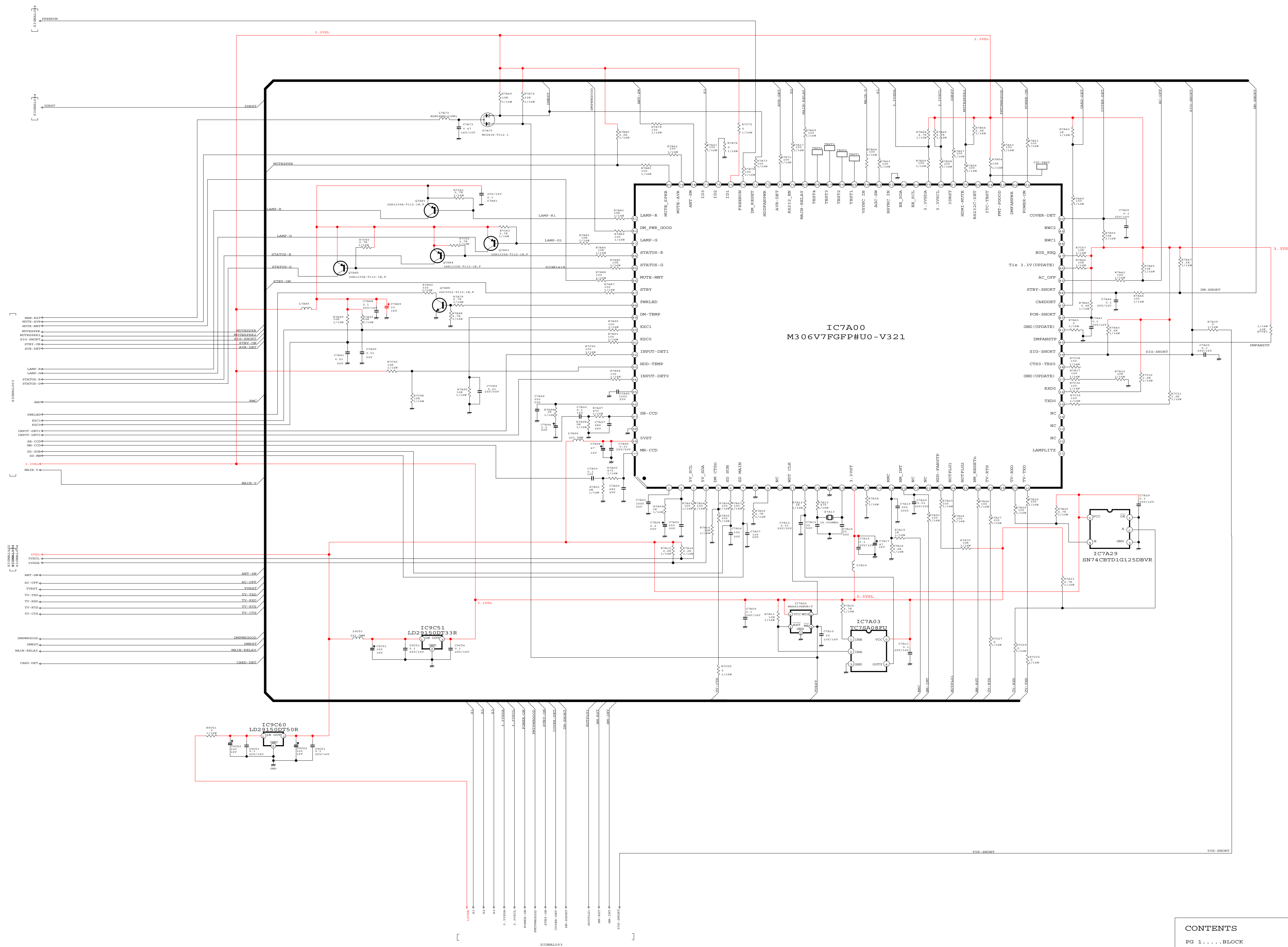
PG 3 TERMINAL



CONTENTS	
PG 1 BLOCK	WD-57732 V33+
PG 2 POWER	WD-65732 V33+
PG 3 TERMINAL	WD-73732 V33+
PG 4 SIGNAL1 [TV MICRO]	WD-Y57 V33Y
PG 5 SIGNAL2 [AUDIO / PIC MICRO]	WD-Y65 V33Y
PG 6 SIGNAL3 [VIDEO SWITCH / DCDC CONVERTER]	
PG 7 SIGNAL4 [3DYC / NTSC DECODER]	
PG 8 SIGNAL5 [TUNER1 / DEMOD1]	
PG 9 SIGNAL6 [TVGOS]	
PG 10 DM1 [DMHDM1]	
PG 11 DM2 [DMCORE]	
PG 12 DM3 [DMMEMA/DC]	
PG 13 DM4 [DMMEMB/USB]	
PG 14 DM5 [DMROM/AV]	
PG 15 DM6 [1394/DVI/P]	
PG 16 DM7 [DMPOD]	
PG 17 DM8 [DMADC-MAIN]	
PG 18 DM9 [DMADC-PCSUB]	
PG 19 DM10 [SFA]	
PG 20 DM11 [SFA2]	
PG 21 DM12 [DMDCDC]	
PG 22 DM13 [DVI]	
PG 23 DM14 [DMAUDIO]	
PG 24 DM15 [FMTMICRO]	
PG 25 MISC [FRONT/CONTROL/PREAMP/E2P/SWLAMP]	
PG 26 [INTERFACR / ENG- PWR]	

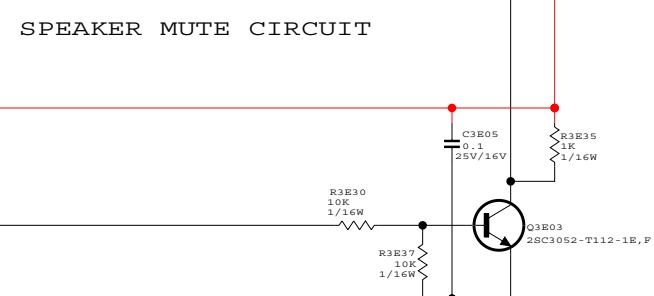
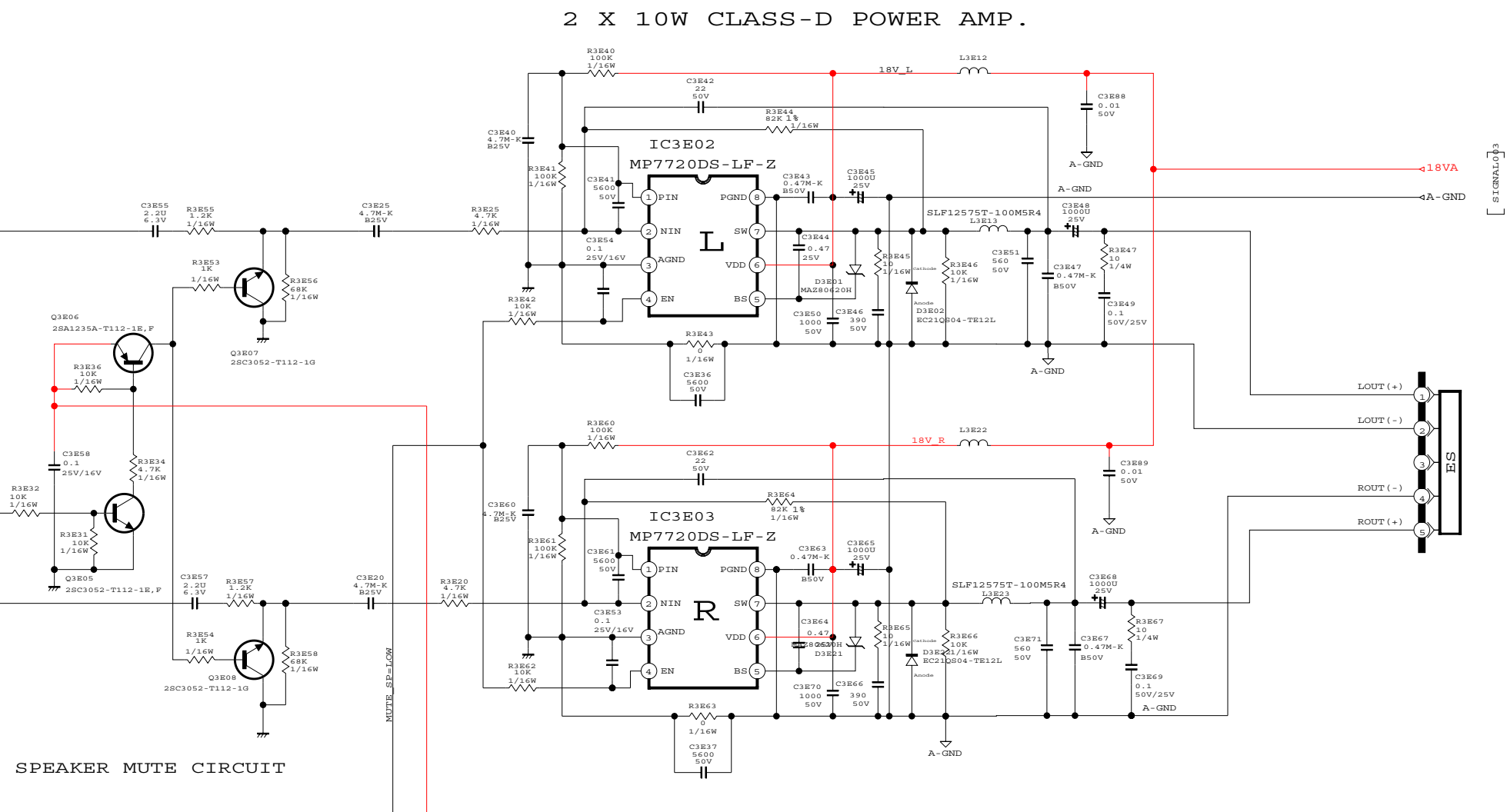
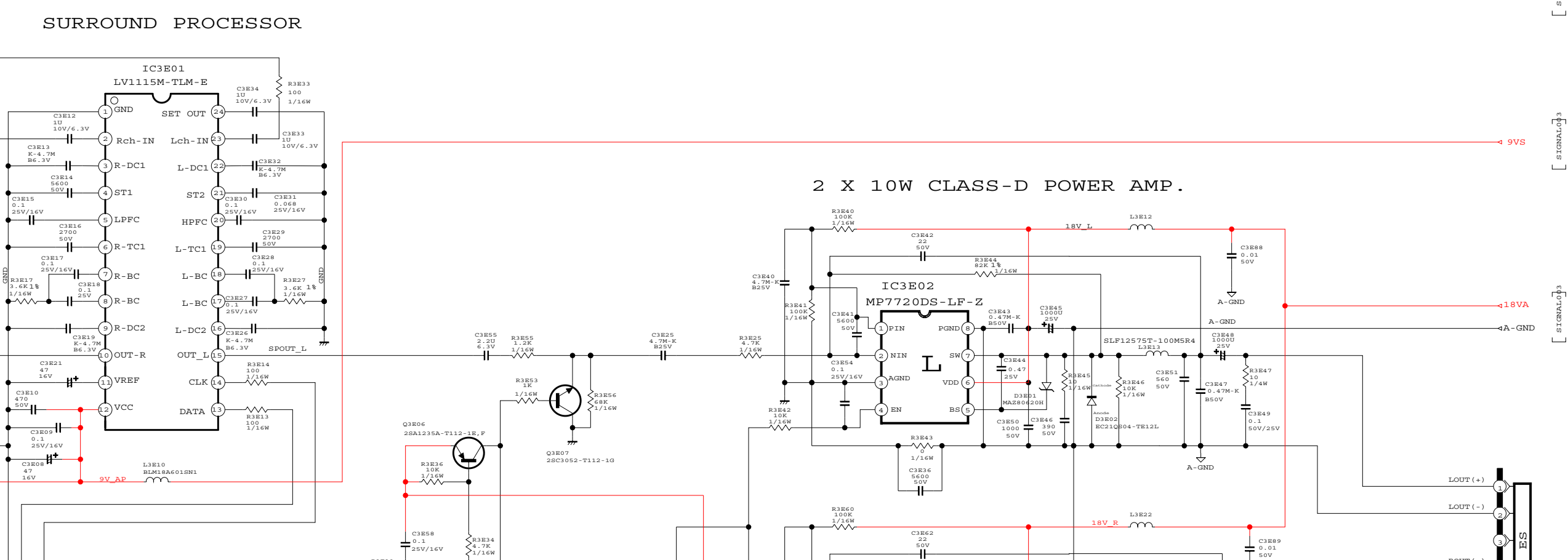
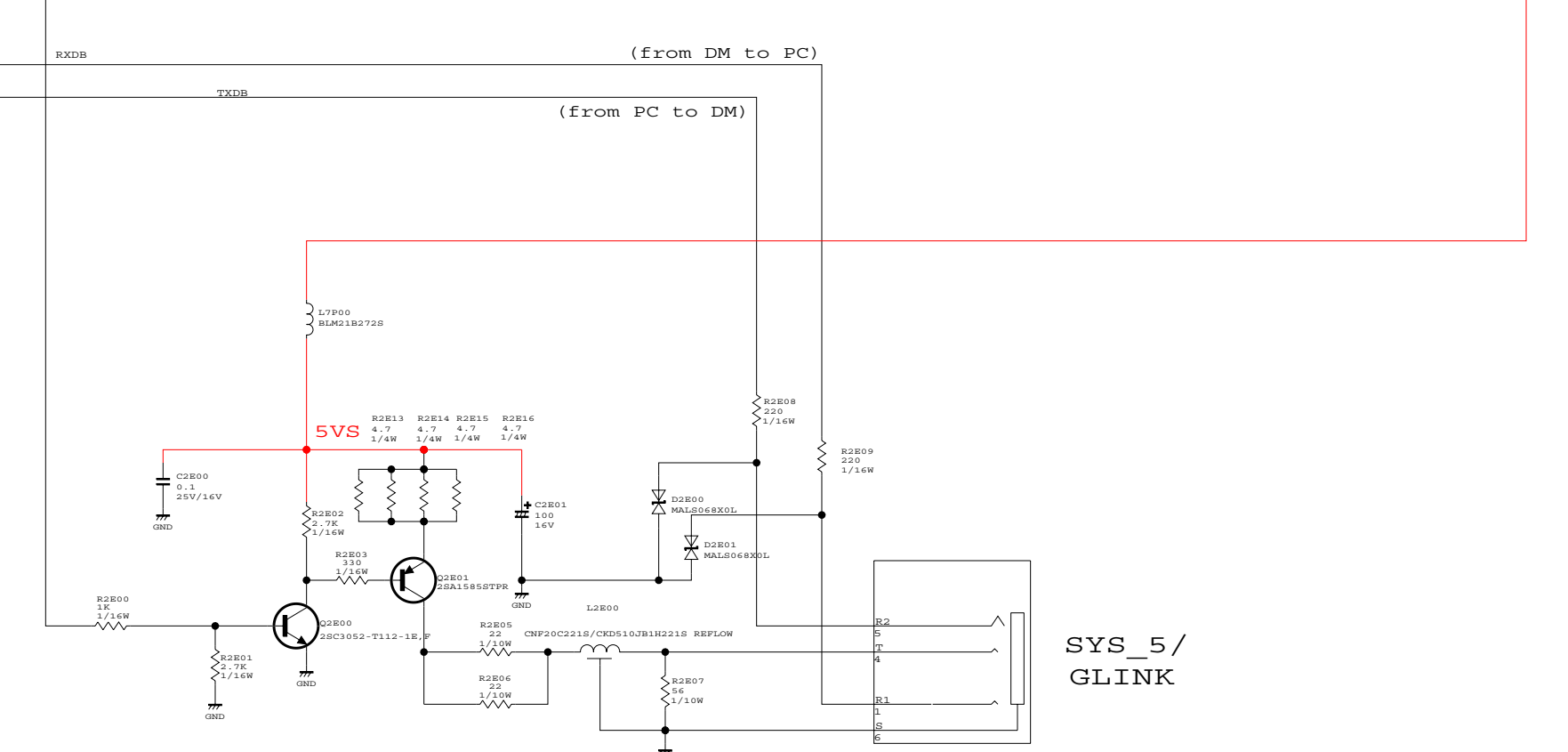
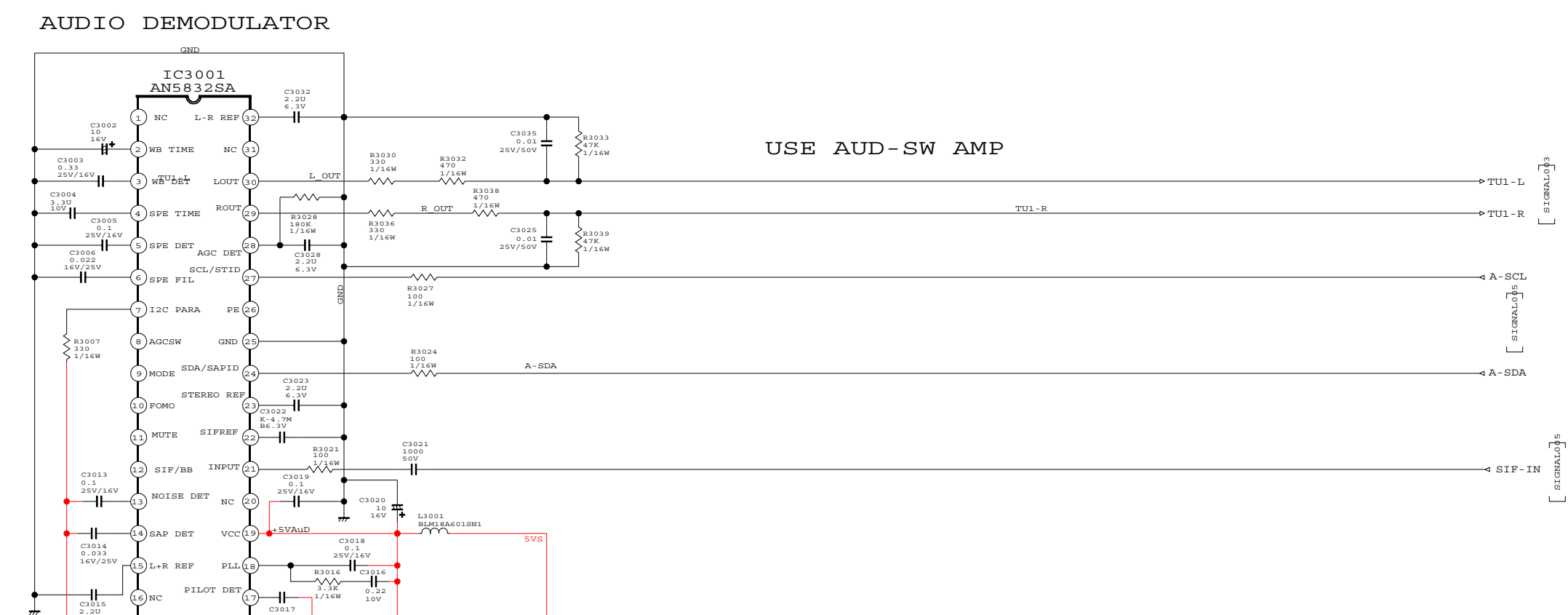
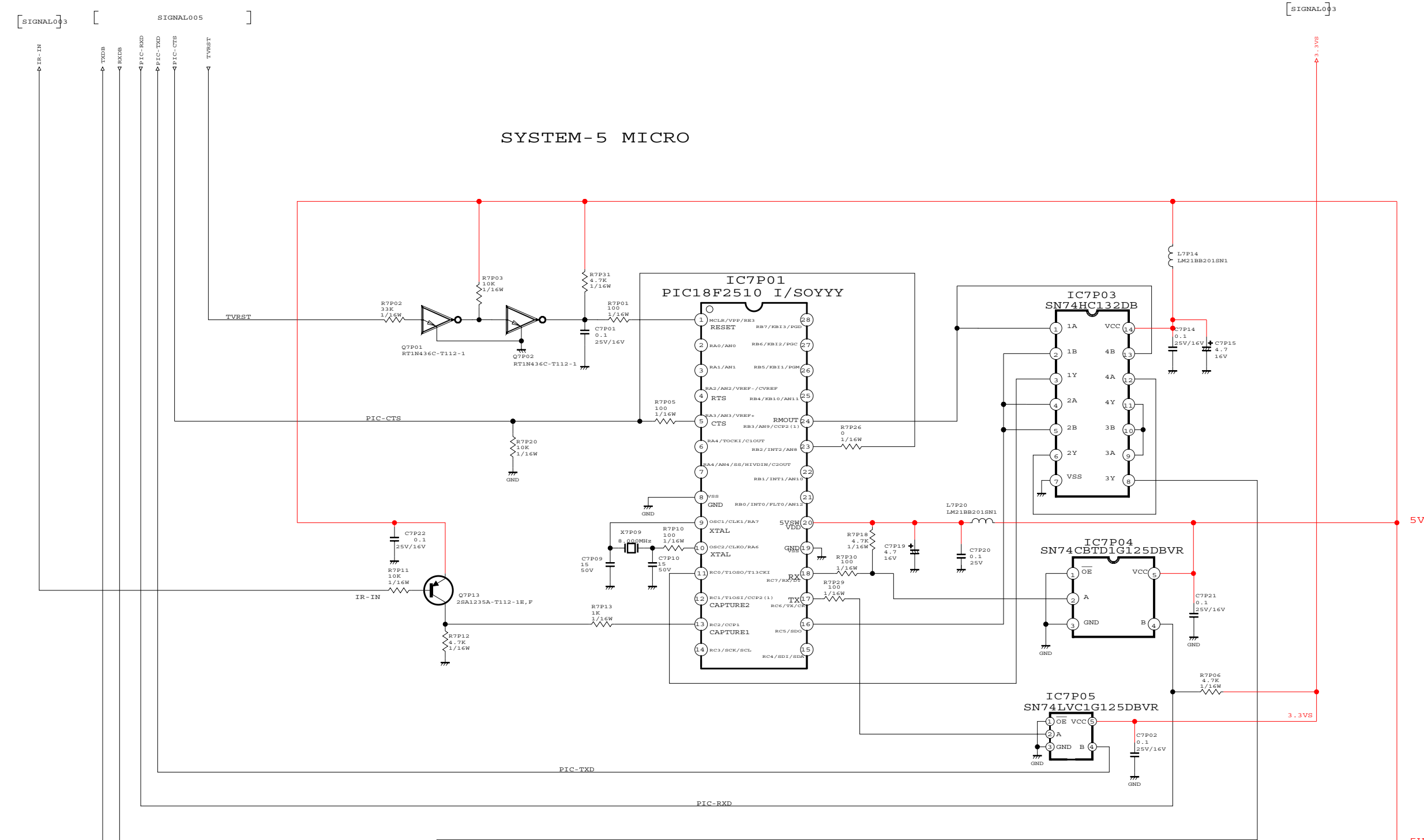
A
B
C
D
E
F
G
H
I
J
K

1 2 3 4 5 6 7 8 9 10 11 12 13 14 15 16

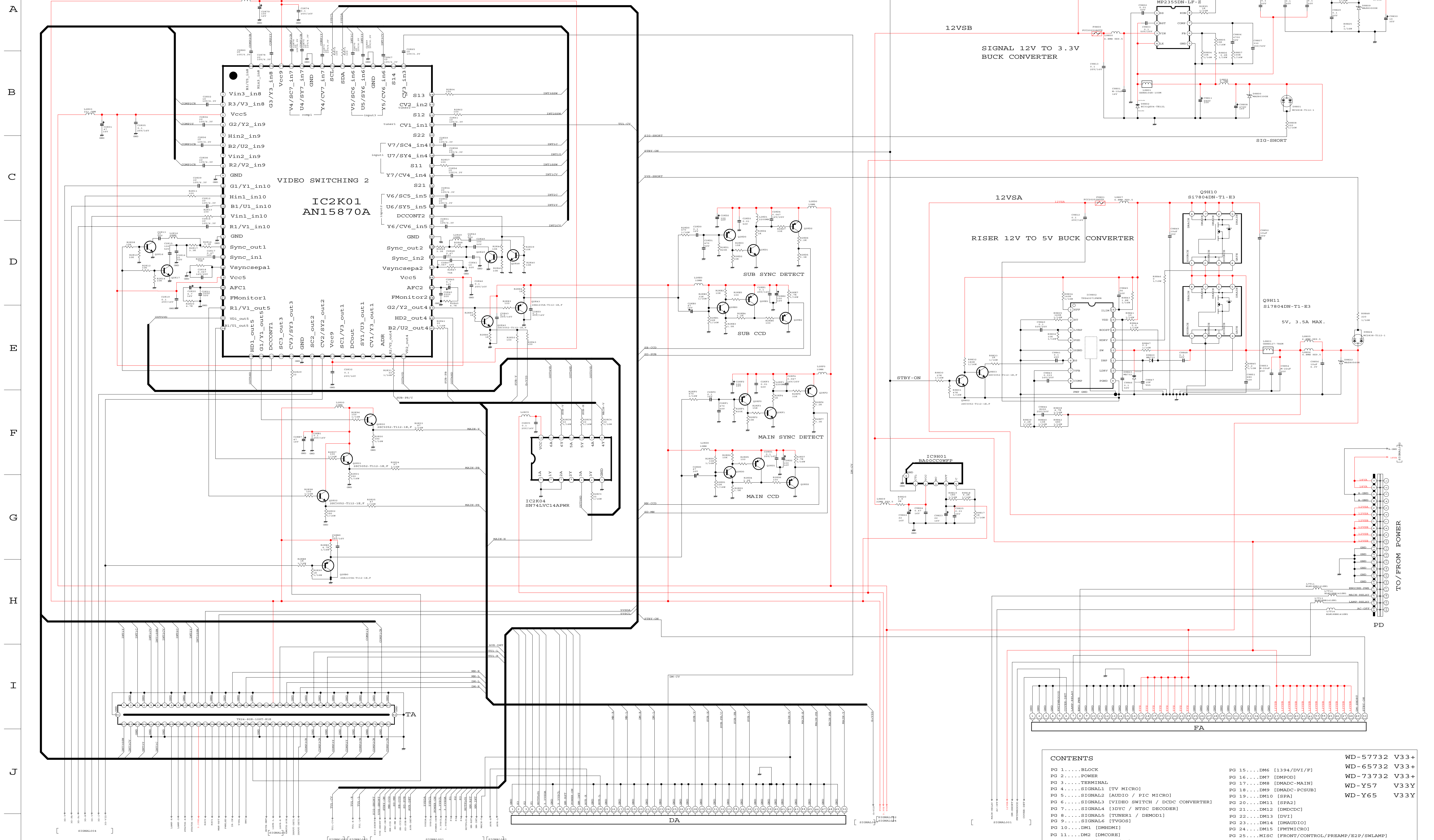


CONTENTS		
PG 1.....BLOCK	PG 15.....DM6 [1394/DVI/F]	WD-57732 V33+
PG 2.....POWER	PG 16.....DM7 [DMPD]	WD-65732 V33+
PG 3.....TERMINAL	PG 17.....DM8 [DMADC-MAIN]	WD-73732 V33+
PG 4.....SIGNAL1 [TV MICRO]	PG 18.....DM9 [DMADC-PCSUB]	WD-Y57 V33Y
PG 5.....SIGNAL2 [AUDIO / PIC MICRO]	PG 19.....DM10 [SPA]	WD-Y65 V33Y
PG 6.....SIGNAL3 [VIDEO SWITCH / DCDC CONVERTER]	PG 20.....DM11 [SPA2]	
PG 7.....SIGNAL4 [SDYC / NTSC DECODER]	PG 21.....DM12 [DMC-DC]	
PG 8.....SIGNAL5 [TUNER1 / DEMOD1]	PG 22.....DM13 [DVI]	
PG 9.....SIGNAL6 [TVGOS]	PG 23.....DM14 [DMAUDIO]	
PG 10.....DM1 [DMDMI]	PG 24.....DM15 [FMTMICRO]	
PG 11.....DM2 [DMCORE]	PG 25.....MISC [FRONT/CONTROL/PREAMP/E2P/SWLAMP]	
PG 12.....DM3 [DMMEMA/DC]	PG 26.....[INTERFACE / ENG-PWR]	
PG 13.....DM4 [DMMEMB/USB]		
PG 14.....DM5 [DMROM/AV]		

A
B
C
D
E
F
G
H
I
J
K

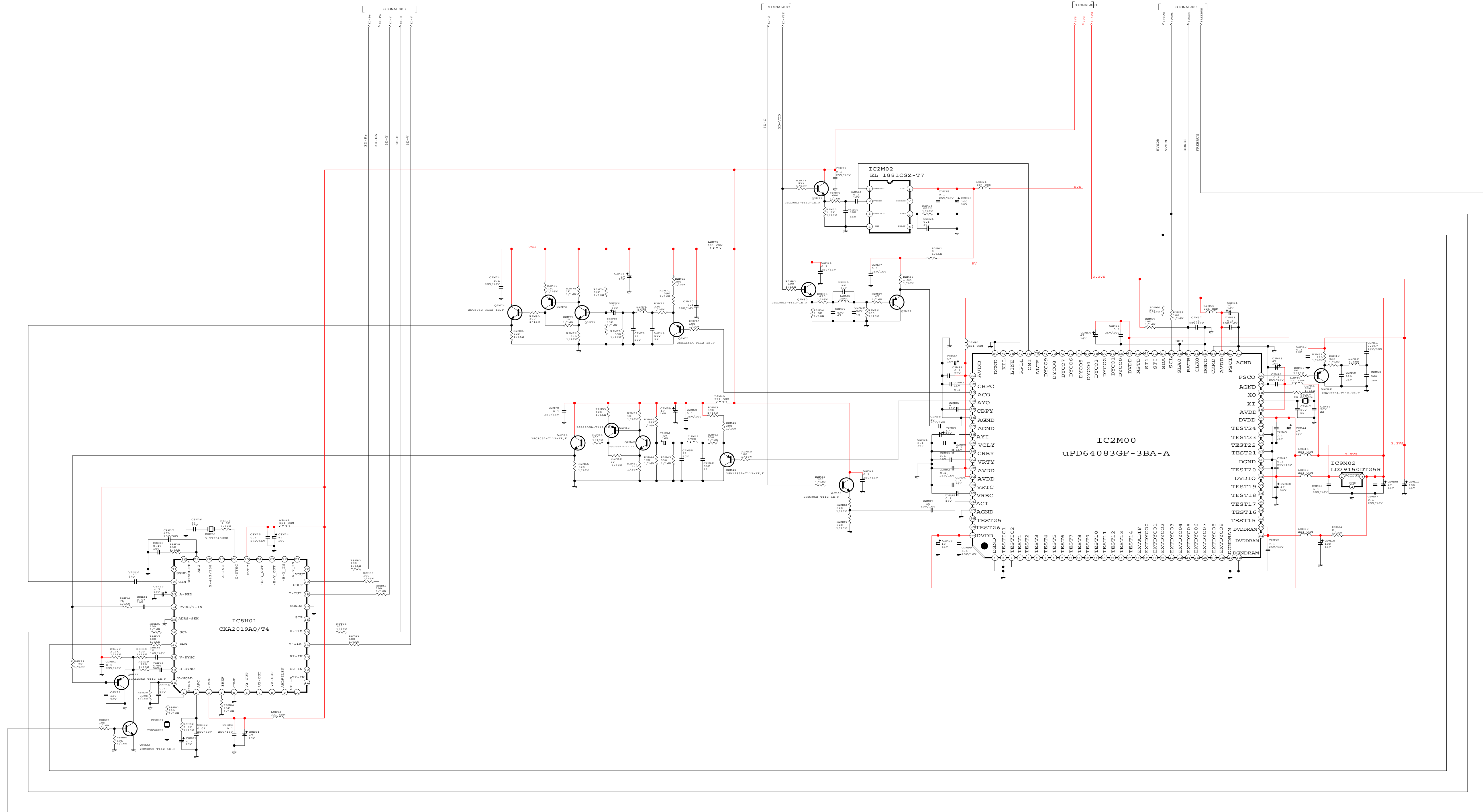


CONTENTS	
PG 1.....BLOCK	WD-57732 V33+
PG 2.....POWER	WD-65732 V33+
PG 3.....TERMINAL	WD-73732 V33+
PG 4.....SIGNAL1 [TV MICRO]	WD-Y57 V33Y
PG 5.....SIGNAL2 [AUDIO / PIC MICRO]	WD-Y65 V33Y
PG 6.....SIGNAL3 [VIDEO SWITCH / DDC CONVERTER]	
PG 7.....SIGNAL4 [SDYC / NTSC DECODER]	
PG 8.....SIGNAL5 [TUNER1 / DEMOD1]	
PG 9.....SIGNAL6 [TVGOS]	
PG 10.....DM1 [DMHDMI]	
PG 11.....DM2 [DMCORE]	
PG 12.....DM3 [DMMEMA/DC]	
PG 13.....DM4 [DMMEMB/USB]	
PG 14.....DM5 [DMROM/AV]	
PG 15.....DM6 [I394/DVI/P]	
PG 16.....DM7 [DMPOD]	
PG 17.....DM8 [DMADC-MAIN]	
PG 18.....DM9 [DMADC-PCSUB]	
PG 19.....DM10 [SPA]	
PG 20.....DM11 [SPA2]	
PG 21.....DM12 [DMDCDC]	
PG 22.....DM13 [DVI]	
PG 23.....DM14 [DMAUDIO]	
PG 24.....DM15 [FMTMICRO]	
PG 25.....MISC [FRONT/CONTROL/PREAMP/E2P/SWAMP]	
PG 26.....[INTERFACE / ENG-PWR]	

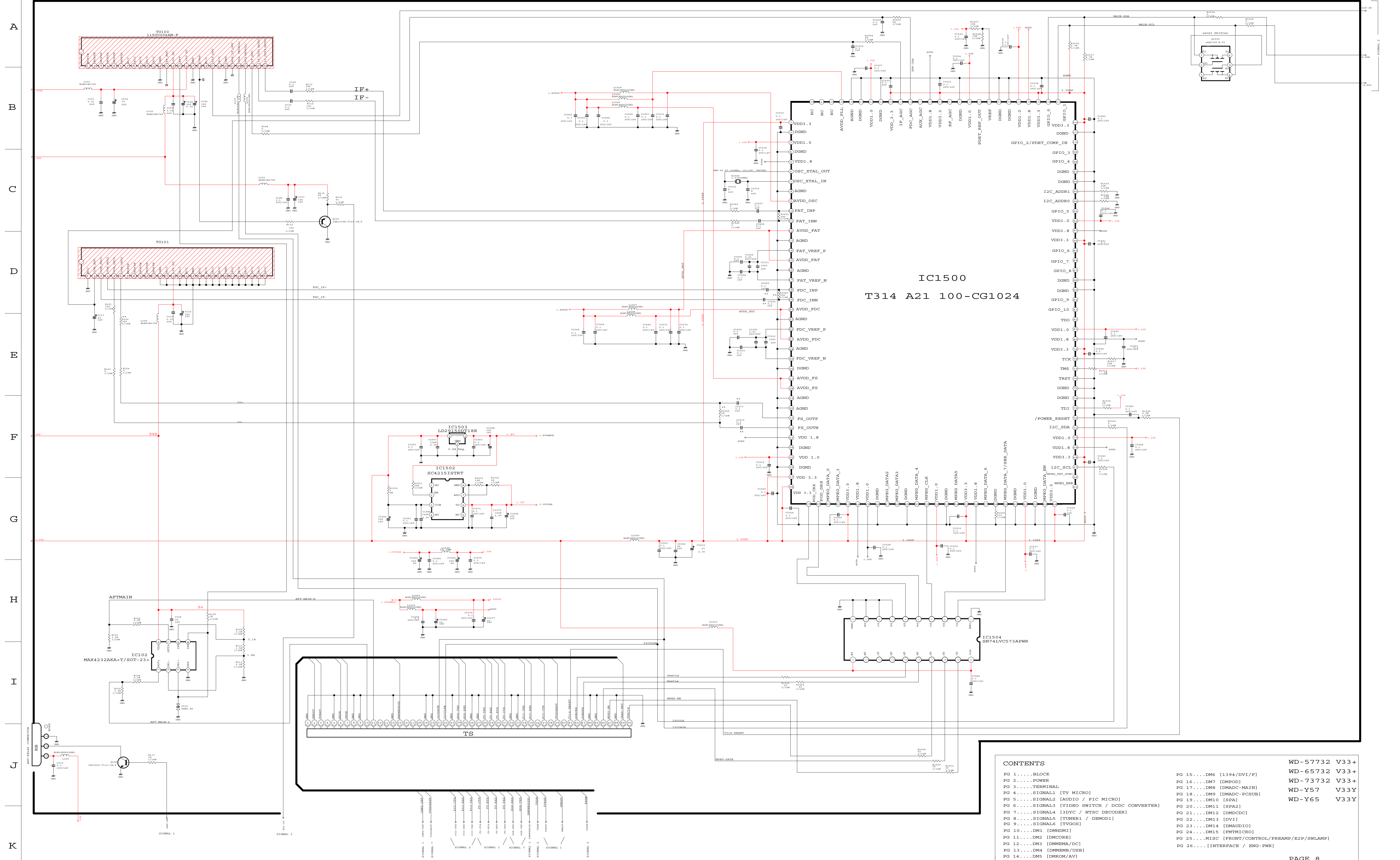


CONTENTS	
PG 1.....BLOCK	PG 15....DM6 [1394/DVI/P]
PG 2.....POWER	PG 16....DM7 [DMP0D]
PG 3.....TERMINAL	PG 17....DM8 [DMAC-MAIN]
PG 4.....SIGNAL1 [TV MICRO]	PG 18....DM9 [DMAC-PCSUB]
PG 5.....SIGNAL2 [AUDIO / PIC MICRO]	PG 19....DM10 [SPA]
PG 6.....SIGNAL3 [VIDEO SWITCH / DCDC CONVERTER]	PG 20....DM11 [SPA2]
PG 7.....SIGNAL4 [3DYC / NTSC DECODER]	PG 21....DM12 [DMDCDC]
PG 8.....SIGNAL5 [TUNER / DEMOD1]	PG 22....DM13 [DVI]
PG 9.....SIGNAL6 [TVGOS]	PG 23....DM14 [DMAUDIO]
PG 10....DM1 [DMHMI]	PG 24....DM15 [FMIMICRO]
PG 11....DM2 [DMCORB]	PG 25....MISC [FRONT/CONTROL/PREAMP/E2P/SWLAMP]
PG 12....DM3 [DMMEMB/DC]	PG 26.... [INTERFACE / ENG-PWR]
PG 13....DM4 [DMMEMB/USB]	
PG 14....DM5 [DMROM/AV]	

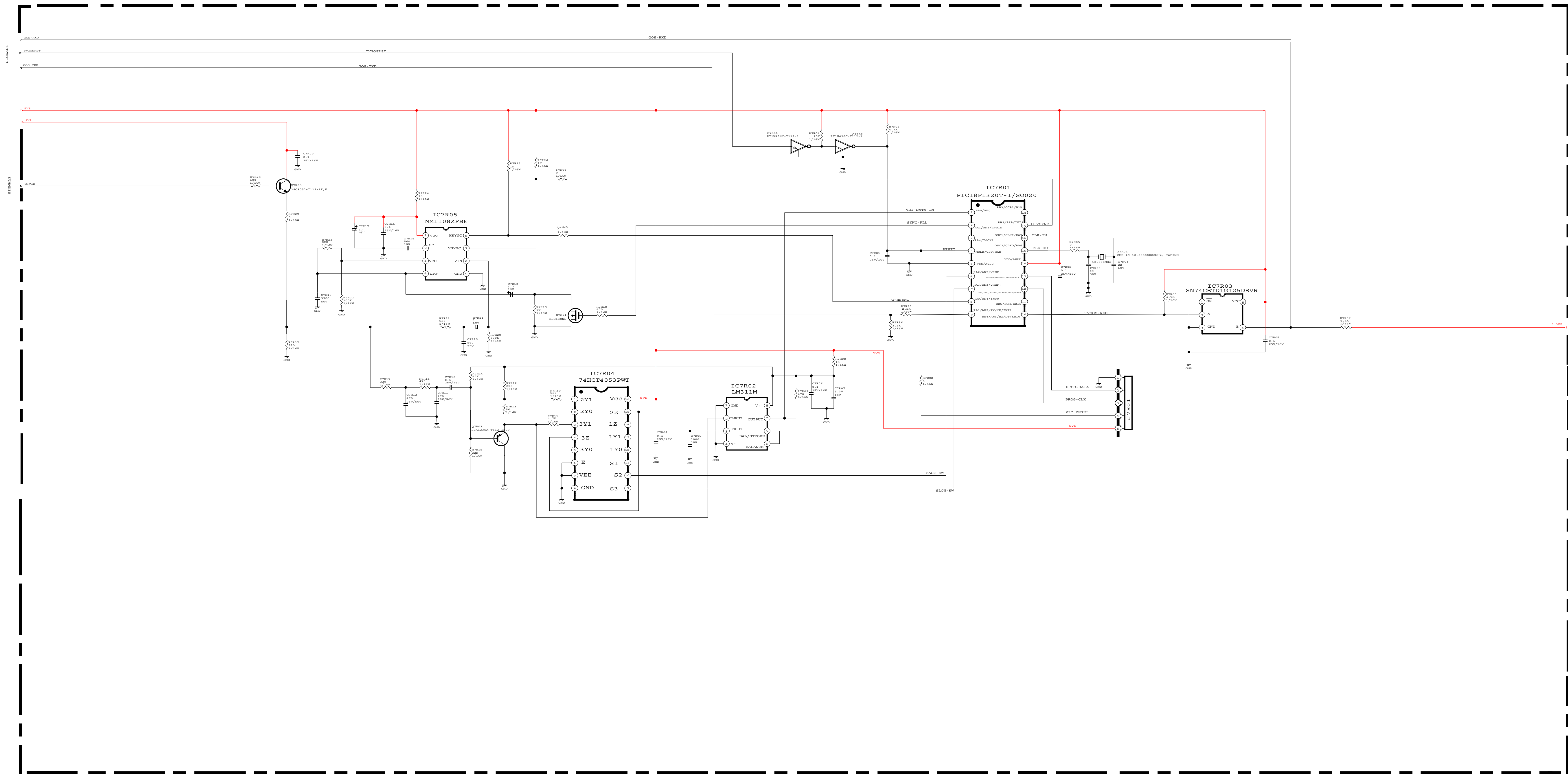
WD-57732 V33+
 WD-65732 V33+
 WD-73732 V33+
 WD-Y57 V33Y
 WD-Y65 V33Y



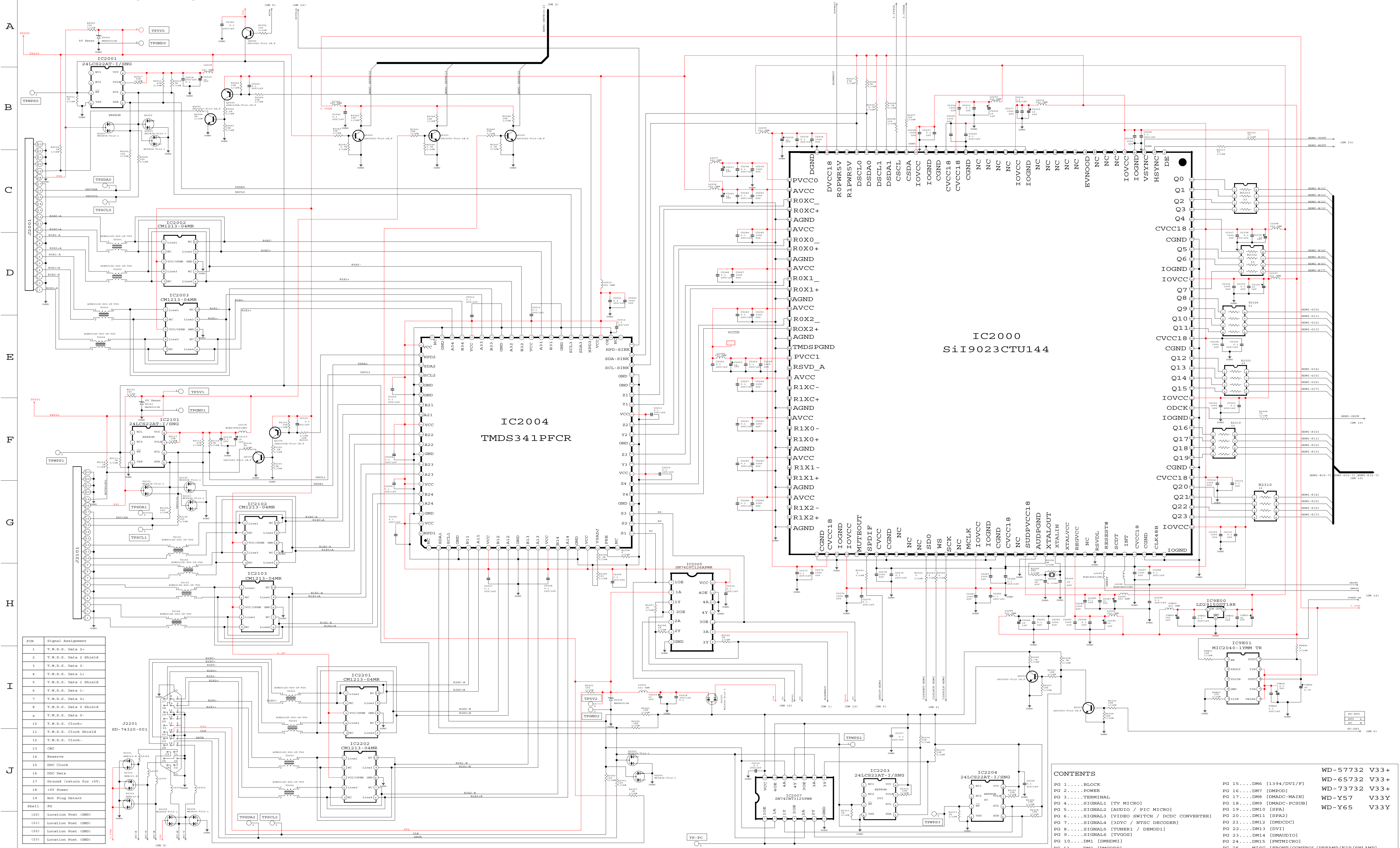
CONTENTS		
PG 1.....BLOCK	PG 15.....DM6 [1394/DVI/P]	WD-57732 V33+
PG 2.....POWER	PG 16.....DM7 [DMOD]	WD-65732 V33+
PG 3.....TERMINAL	PG 17.....DM8 [DMADC-MAIN]	WD-73732 V33+
PG 4.....SIGNAL1 [TV MICRO]	PG 18.....DM9 [DMADC-PCSUB]	WD-Y57 V33Y
PG 5.....SIGNAL2 [AUDIO / PIC MICRO]	PG 19.....DM10 [SPA]	WD-Y65 V33Y
PG 6.....SIGNAL3 [VIDEO SWITCH / DCDC CONVERTER]	PG 20.....DM11 [SPA2]	
PG 7.....SIGNAL4 [3DYC / NTSC DECODER]	PG 21.....DM12 [DMDCDC]	
PG 8.....SIGNAL5 [TUNER1 / DMOD1]	PG 22.....DM13 [DVI]	
PG 9.....SIGNAL6 [TVGS]	PG 23.....DM14 [DMAUDIO]	
PG 10.....DM1 [DMHDMI]	PG 24.....DM15 [FMTMICRO]	
PG 11.....DM2 [DMCORE]	PG 25.....MISC [FRONT/CONTROL/PREAMP/E2P/SWLANP]	
PG 12.....DM3 [DMMEMA/DC]	PG 26.....[INTERFACE / ENG-PWR]	
PG 13.....DM4 [DMMEMB/USB]		
PG 14.....DM5 [DMROM/AV]		



CONTENTS	
PG 1...BLOCK	WD-57732 V33+
PG 2...POWER	WD-65732 V33+
PG 3...TERMINAL	WD-73732 V33+
PG 4...SIGNAL1 [TV MICRO]	WD-Y57 V33Y
PG 5...SIGNAL2 [AUDIO / PIC MICRO]	
PG 6...SIGNAL3 [VIDEO SWITCH / DDC CONVERTER]	
PG 7...SIGNAL4 [3DYC / NFSC DECODER]	
PG 8...SIGNAL5 [TUNER1 / DEMOD1]	
PG 9...SIGNAL6 [TVGOS]	
PG 10...DM1 [DMHDH1]	
PG 11...DM2 [DMCOR1]	
PG 12...DM3 [DMMEMA/DC]	
PG 13...DM4 [DMMEMA/USB]	
PG 14...DM5 [DMROM/AV]	
PG 15...DM6 [1394/DVI/F]	
PG 16...DM7 [DMPOD]	
PG 17...DM8 [DMADC-MAIN]	
PG 18...DM9 [DMADC-PCSUB]	
PG 19...DM10 [SPA]	
PG 20...DM11 [SFA2]	
PG 21...DM12 [DMDCDC]	
PG 22...DM13 [DVI]	
PG 23...DM14 [DMAUDIO]	
PG 24...DM15 [PMIMICRO]	
PG 25...MISC [FRONT/CONTROL/PREAMP/E2P/SWLAMP]	
PG 26...[INTERFACE / ENG-PWR]	



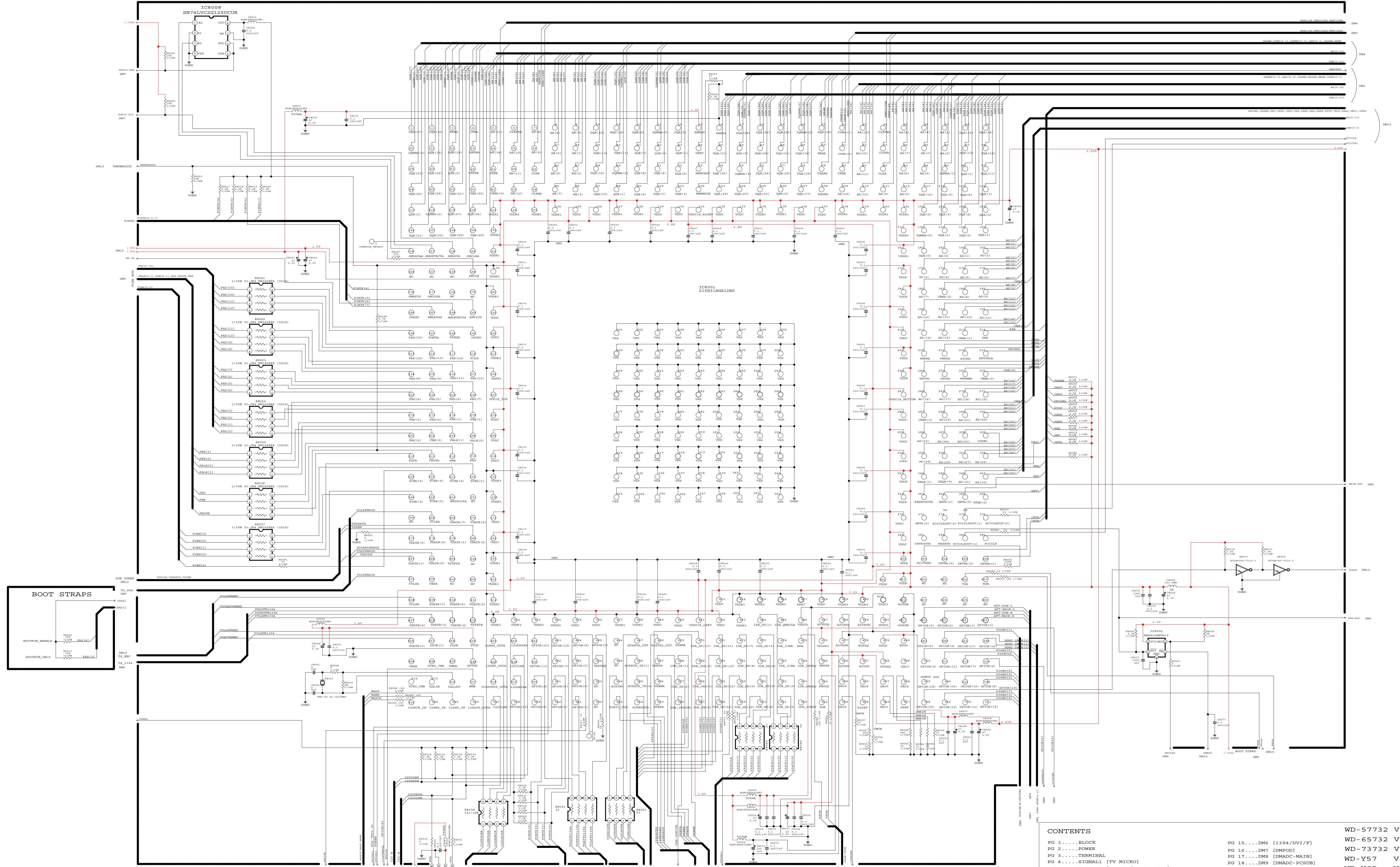
CONTENTS		
PG 1....BLOCK		WD-57732 V33+
PG 2....POWER		WD-65732 V33+
PG 3....TERMINAL		WD-73732 V33+
PG 4....SIGNAL1 [TV MICRO]		WD-Y57 V33Y
PG 5....SIGNAL2 [AUDIO / PIC MICRO]		WD-Y65 V33Y
PG 6....SIGNAL3 [VIDEO SWITCH / DCDC CONVERTER]		
PG 7....SIGNAL4 [3DYC / NTSC DECODER]		
PG 8....SIGNAL5 [TUNER1 / DEMOD1]		
PG 9....SIGNAL6 [TVGOS]		
PG 10....DM1 [DMHDMI]		
PG 11....DM2 [DMCORE]		
PG 12....DM3 [DMMEMA/DC]		
PG 13....DM4 [DMMEMB/USB]		
PG 14....DM5 [DMROM/AV]		
PG 15....DM6 [1394/DVI/F]		
PG 16....DM7 [DMP0D]		
PG 17....DM8 [DMADC-MAIN]		
PG 18....DM9 [DMADC-PCSUB]		
PG 19....DM10 [SPA]		
PG 20....DM11 [SPA2]		
PG 21....DM12 [DMDCDC]		
PG 22....DM13 [DVI]		
PG 23....DM14 [DMAUDIO]		
PG 24....DM15 [PMTMICRO]		
PG 25....MISC [FRONT/CONTROL/PREAMP/E2F/SWLAMP]		
PG 26....[INTERFACE / ENG-PWR]		



PIN	Signal Assignment
1	T.M.D.S. Data 2+
2	T.M.D.S. Data 2 Shield
3	T.M.D.S. Data 2-
4	T.M.D.S. Data 1+
5	T.M.D.S. Data 1 Shield
6	T.M.D.S. Data 1-
7	T.M.D.S. Data 0+
8	T.M.D.S. Data 0 Shield
9	T.M.D.S. Data 0-
10	T.M.D.S. Clock+
11	T.M.D.S. Clock Shield
12	T.M.D.S. Clock-
13	CEC
14	Reserve
15	DCC Clock
16	DCC Data
17	Ground (return for +5V)
18	+5V Power
19	Hot Plug Detect
Shell	PO
(20)	Location Post (GND)
(21)	Location Post (GND)
(22)	Location Post (GND)
(23)	Location Post (GND)

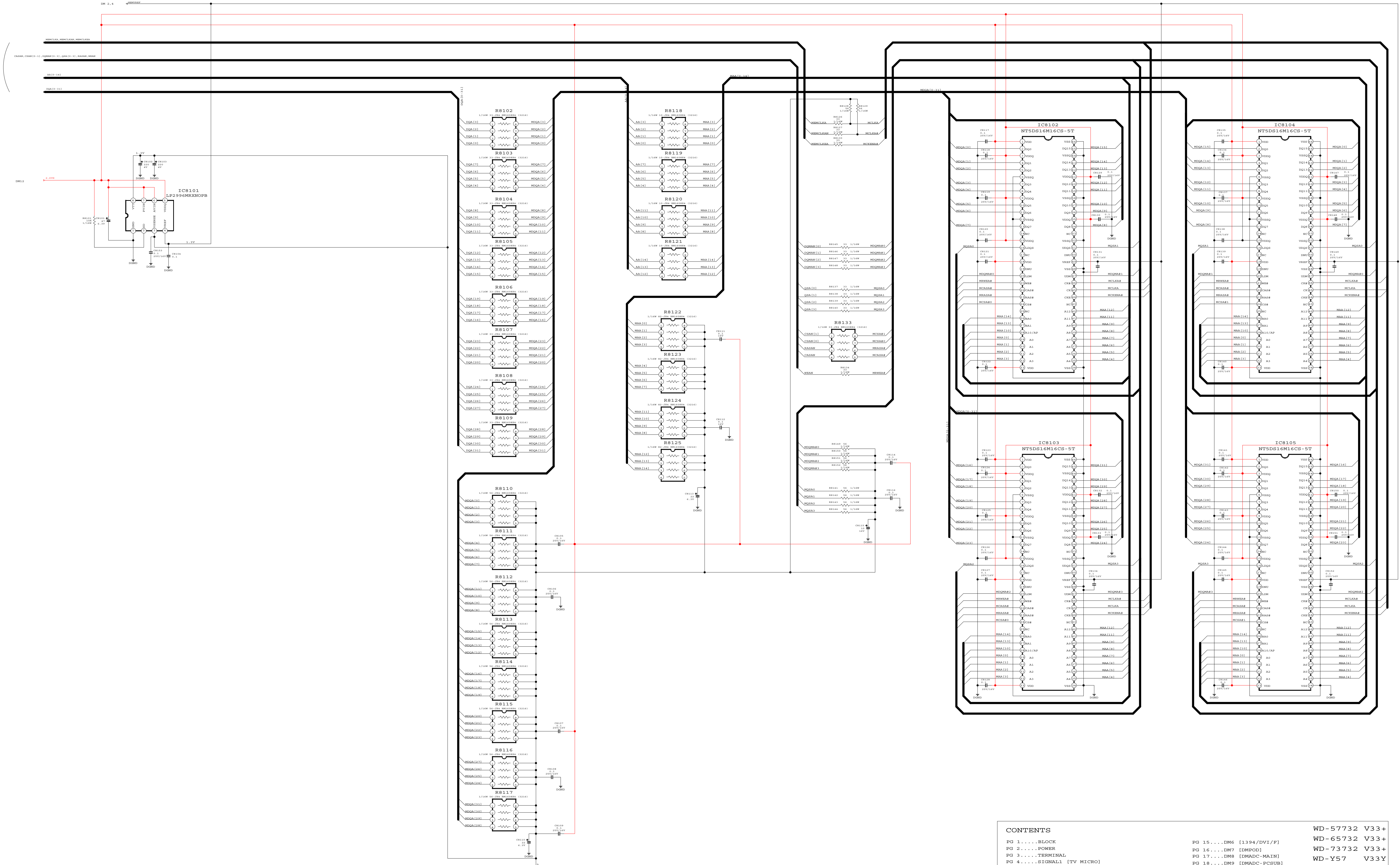
CONTENTS	
PG 1...BLOCK	WD-57732 V33+
PG 2...POWER	WD-65732 V33+
PG 3...TERMINAL	WD-73732 V33+
PG 4...SIGNAL1 [TV MICRO]	WD-Y57 V33Y
PG 5...SIGNAL2 [AUDIO / PIC MICRO]	WD-Y65 V33Y
PG 6...SIGNAL3 [VIDEO SWITCH / DCDC CONVERTER]	
PG 7...SIGNAL4 [3DVC / NTSC DECODER]	
PG 8...SIGNAL5 [TUNER1 / DEMOD1]	
PG 9...SIGNAL6 [TVGOS]	
PG 10...DM1 [DMHDMI]	
PG 11...DM2 [DMCORE]	
PG 12...DM3 [DMMEMA/DC]	
PG 13...DM4 [DMMEMB/USB]	
PG 14...DM5 [DMROM/AV]	
PG 15...DM6 [1394/DVI/F]	
PG 16...DM7 [DMPOD]	
PG 17...DM8 [DMADC-MAIN]	
PG 18...DM9 [DMADC-PCSUB]	
PG 19...DM10 [SFA]	
PG 20...DM11 [SPA2]	
PG 21...DM12 [DMDCDC]	
PG 22...DM13 [DVI1]	
PG 23...DM14 [DMADDI]	
PG 24...DM15 [FMTMICRO]	
PG 25...MISC [FRONT/CONTROL/PREAMP/E2P/SWLAMP]	
PG 26...[INTERFACE / ENG-PWR]	

A
B
C
D
E
F
G
H
I
J
K



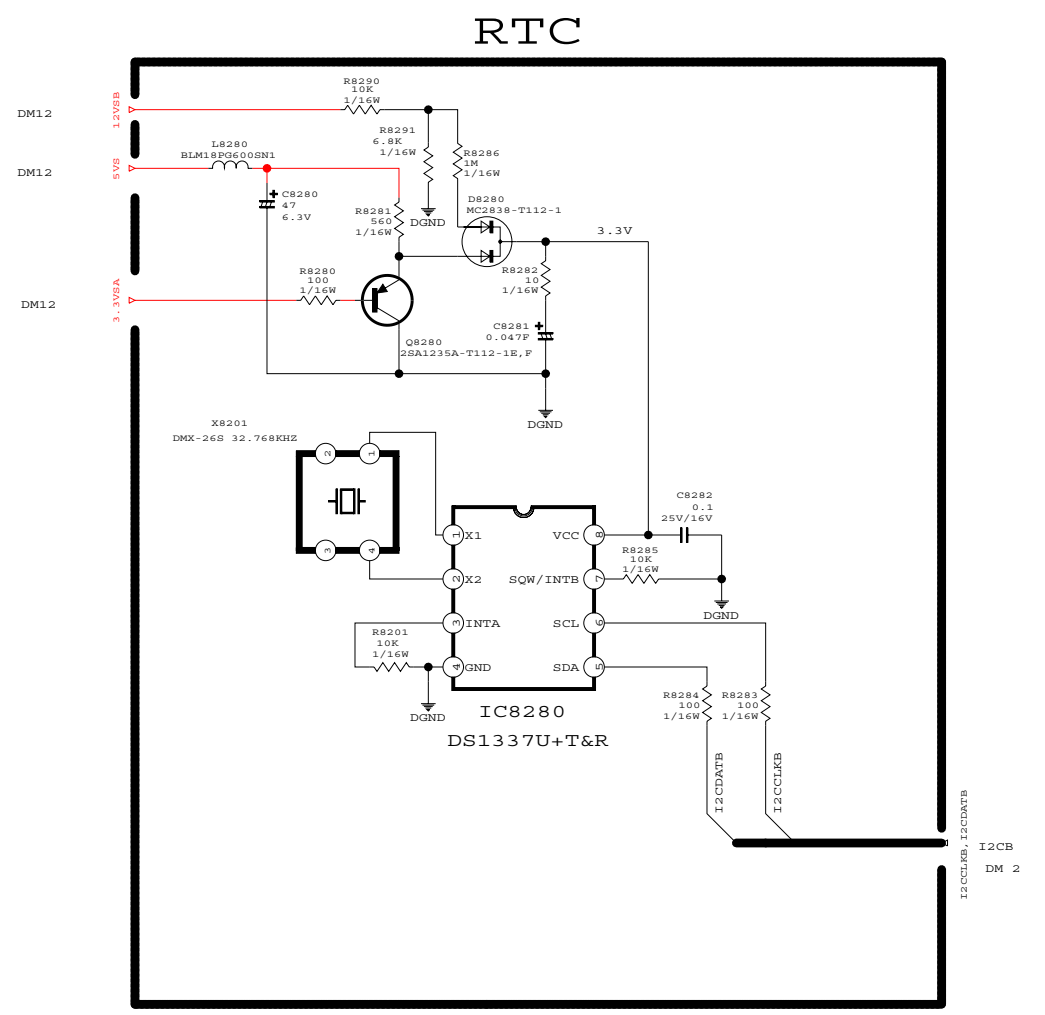
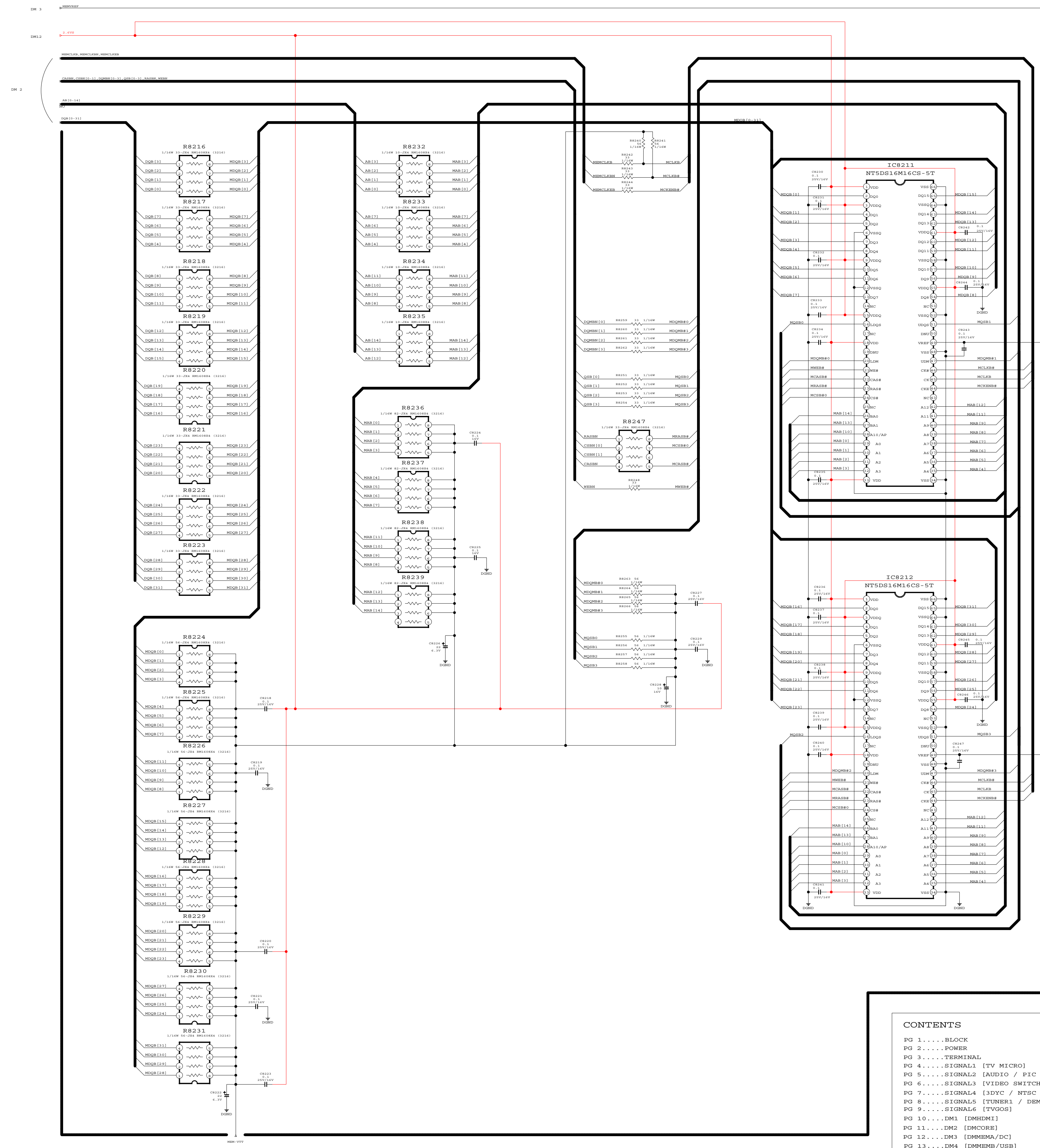
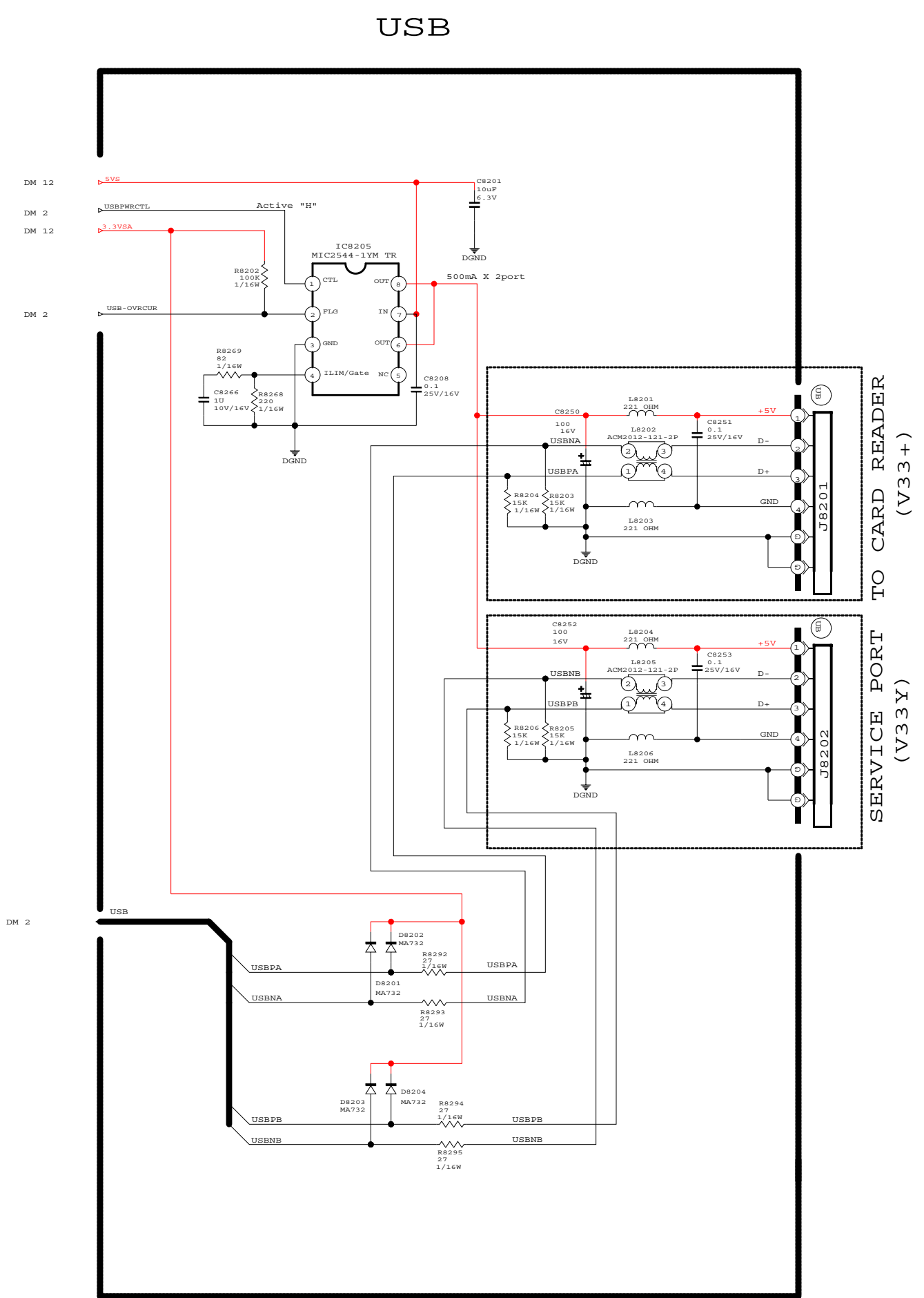
CONTENTS	
PG 1...BLOCK	WD-5772 V33+
PG 2...POWER	WD-65732 V33+
PG 3...TERMINAL	WD-73732 V33+
PG 4...SIGNAL2 [TV MICRO]	WD-Y57 V33Y
PG 5...SIGNAL3 [AUDIO / PIC MICRO]	WD-Y65 V33Y
PG 6...SIGNAL4 [VIDEO SWITCH / DCCD CONVERTER]	
PG 7...SIGNAL5 [3DVC / NTSC DECODER]	
PG 8...SIGNAL6 [TUNER / DEMOD1]	
PG 9...SIGNAL7 [TVGOS]	
PG 10...DM1 [DMHDM1]	
PG 11...DM2 [DMCORE]	
PG 12...DM3 [DMHDM/DC]	
PG 13...DM4 [DMHDM/USB]	
PG 14...DM5 [DMROM/AV]	
PG 15...DM6 [1394/DVI/F]	
PG 16...DM7 [DMFOD]	
PG 17...DM8 [DMADC-MAIN]	
PG 18...DM9 [DMADC-PCSUB]	
PG 19...DM10 [SPA]	
PG 20...DM11 [SPA]	
PG 21...DM12 [DMDCDC]	
PG 22...DM13 [DVI]	
PG 23...DM14 [DMAUDIO]	
PG 24...DM15 [FMTMICRO]	
PG 25...MISC [FRONT/CONTROL/PREAMP/E2P/SWAMP]	
PG 26...[INTERFACE / ENG-PWR]	

A
B
C
D
E
F
G
H
I
J
K



CONTENTS		
PG 1....BLOCK	PG 15....DM6 [1394/DVI/F]	WD-57732 V33+
PG 2....POWER	PG 16....DM7 [DMPOD]	WD-65732 V33+
PG 3....TERMINAL	PG 17....DM8 [DMADC-MAIN]	WD-73732 V33+
PG 4....SIGNAL1 [TV MICRO]	PG 18....DM9 [DMADC-PCSUB]	WD-Y57 V33Y
PG 5....SIGNAL2 [AUDIO / PIC MICRO]	PG 19....DM10 [SFA]	WD-Y65 V33Y
PG 6....SIGNAL3 [VIDEO SWITCH / DCDC CONVERTER]	PG 20....DM11 [SFA2]	
PG 7....SIGNAL4 [3DYC / NTSC DECODER]	PG 21....DM12 [DMDCDC]	
PG 8....SIGNAL5 [TUNER1 / DEMOD1]	PG 22....DM13 [DVI]	
PG 9....SIGNAL6 [TVGOS]	PG 23....DM14 [DMAUDIO]	
PG 10....DM1 [DMHDMI]	PG 24....DM15 [FMTCMICRO]	
PG 11....DM2 [DMCORE]	PG 25....MISC [FRONT/CONTROL/PREAMP/E2P/SWLAMP]	
PG 12....DM3 [DMMEMA/DC]	PG 26....[INTERFACE / ENG-PWR]	
PG 13....DM4 [DMMEMB/USB]		
PG 14....DM5 [DMROM/AV]		

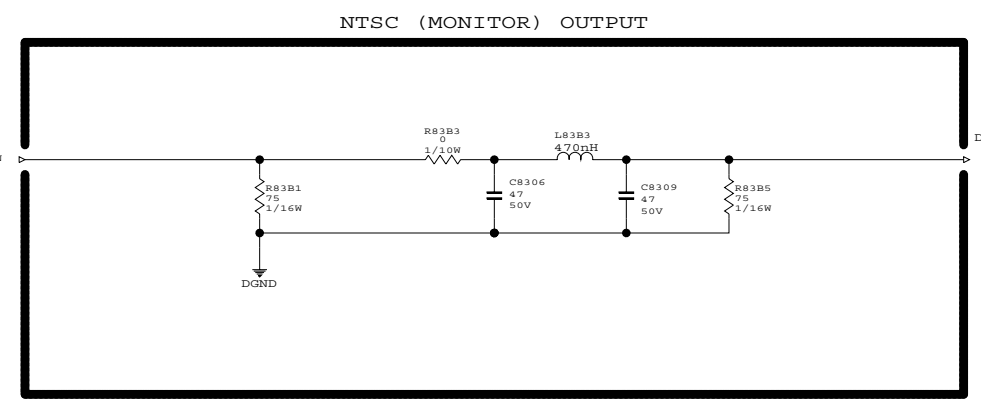
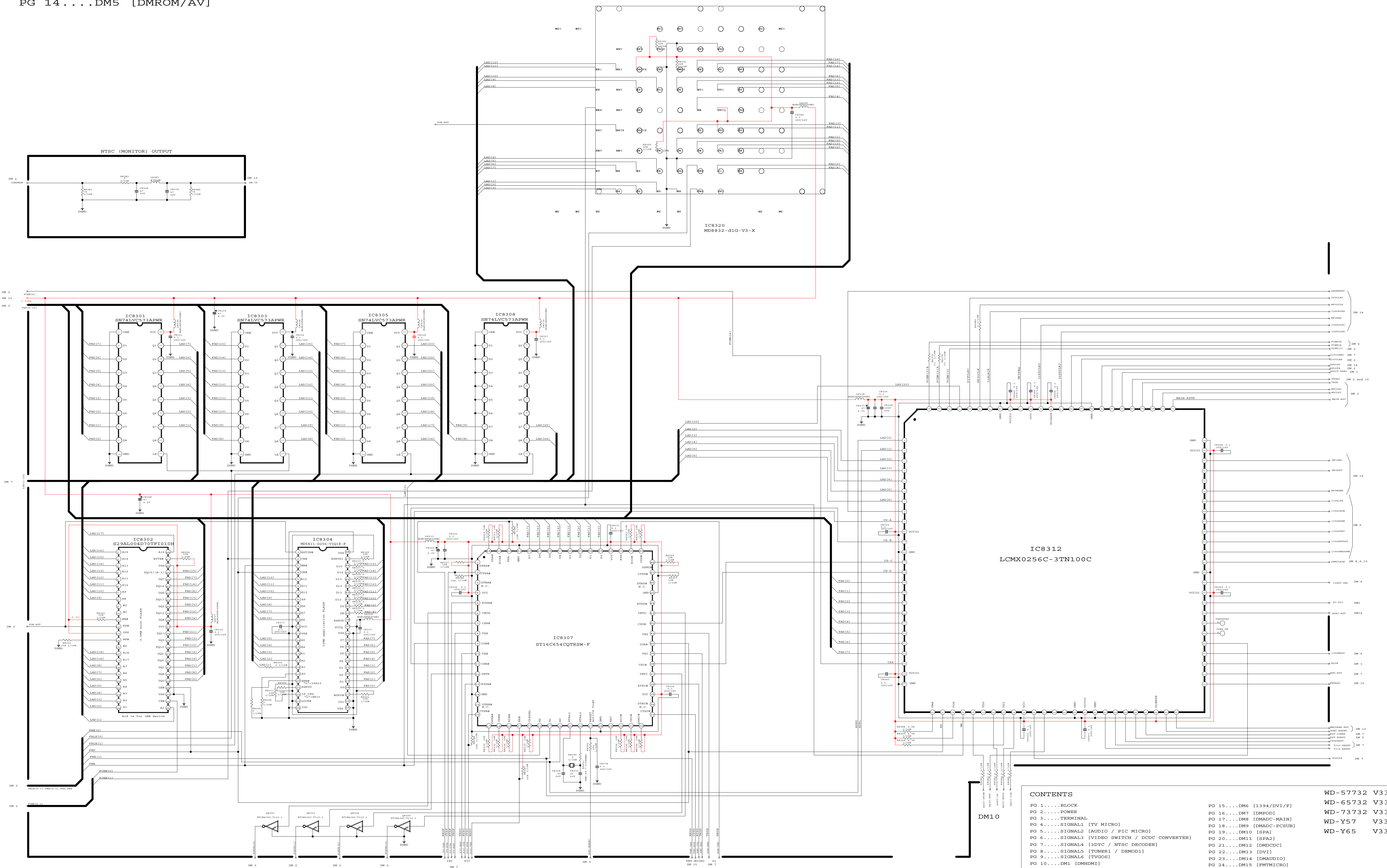
A
B
C
D
E
F
G
H
I
J
K



CONTENTS

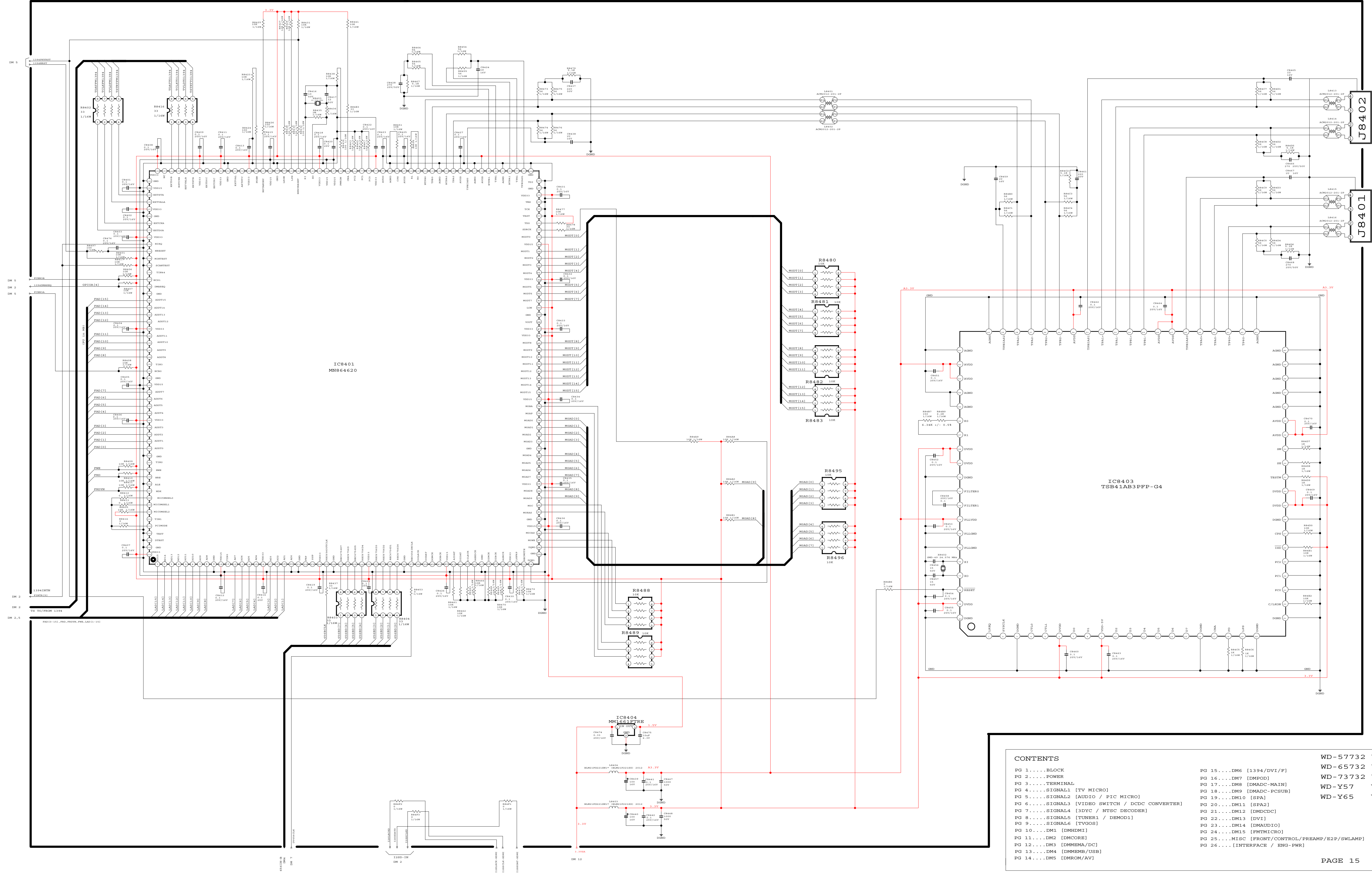
PG 1 BLOCK	PG 15 DM6 [1394/DVI/F]	WD-57732 V33+
PG 2 POWER	PG 16 DM7 [DMPOD]	WD-65732 V33+
PG 3 TERMINAL	PG 17 DM8 [DMADC-MAIN]	WD-73732 V33+
PG 4 SIGNAL1 [TV MICRO]	PG 18 DM9 [DMADC-PCSUB]	WD-Y57 V33Y
PG 5 SIGNAL2 [AUDIO / PIC MICRO]	PG 19 DM10 [SFA]	WD-Y65 V33Y
PG 6 SIGNAL3 [VIDEO SWITCH / DCDC CONVERTER]	PG 20 DM11 [SFA2]	
PG 7 SIGNAL4 [3DYC / NTSC DECODER]	PG 21 DM12 [DMDCDC]	
PG 8 SIGNAL5 [TUNER1 / DEMOD1]	PG 22 DM13 [DVI]	
PG 9 SIGNAL6 [TVGOS]	PG 23 DM14 [DMAUDIO]	
PG 10 DM1 [DMHDM1]	PG 24 DM15 [FMTMICRO]	
PG 11 DM2 [DMCORE]	PG 25 MISC [FRONT/CONTROL/PRAMP/E2P/SWLAMP]	
PG 12 DM3 [DMMEMB/DC]	PG 26 [INTERFACE / ENG-PWR]	
PG 13 DM4 [DMMEMB/USB]		
PG 14 DM5 [DMROM/AV]		

A
B
C
D
E
F
G
H
I
J
K

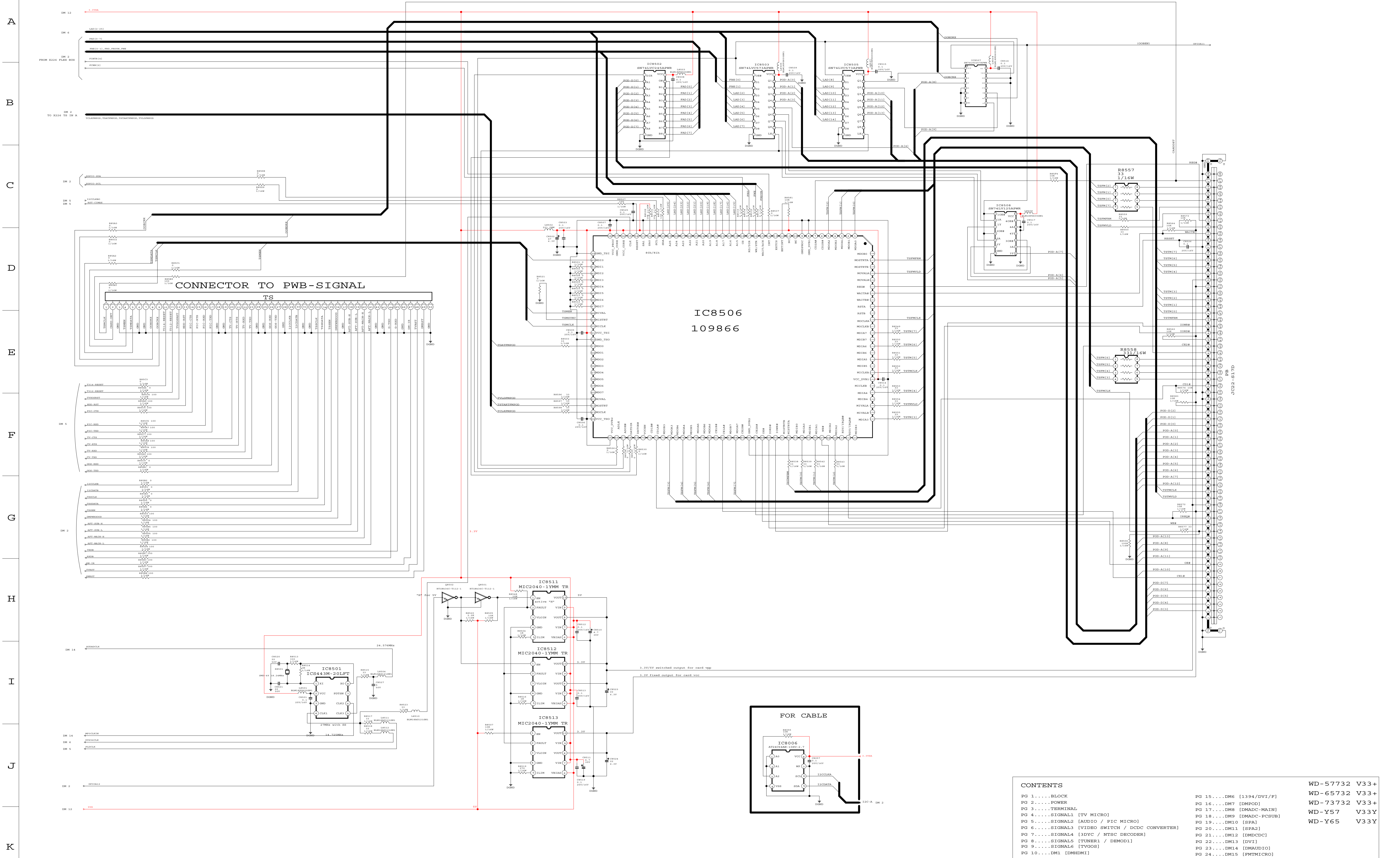


CONTENTS		
PG 1...BLOCK	PG 15...DM6 [1394/DVI/F]	WD-57732 V33+
PG 2...POWER	PG 16...DM7 [DMP0D]	WD-65732 V33+
PG 3...TERMINAL	PG 17...DM8 [DMADC-MAIN]	WD-73732 V33+
PG 4...SIGNAL2 [TV MICRO]	PG 18...DM9 [DMADC-PCUB]	WD-Y57 V33Y
PG 5...SIGNAL3 [AUDIO / PIC MICRO]	PG 19...DM10 [SPA]	WD-Y65 V33Y
PG 6...SIGNAL4 [VIDEO SWITCH / DCDC CONVERTER]	PG 20...DM11 [SPA2]	
PG 7...SIGNAL5 [3DYC / NTSC DECODER]	PG 21...DM12 [DMDCDC]	
PG 8...SIGNAL6 [TUNER1 / DEMOD1]	PG 22...DM13 [DVI]	
PG 9...SIGNAL7 [TVGOS]	PG 23...DM14 [DMAUDIO]	
PG 10...DM1 [DMHDM1]	PG 24...DM15 [PRFMICRO]	
PG 11...DM2 [DMCORE]	PG 25...MISC [FRONT/CONTROL/PREAMP/E2P/SW/LAMP]	
PG 12...DM3 [DMMEMA/DC]	PG 26...[INTERFACE / ENG-PWR]	
PG 13...DM4 [DMMEMB/USB]		
PG 14...DM5 [DMROM/AV]		

A
B
C
D
E
F
G
H
I
J
K

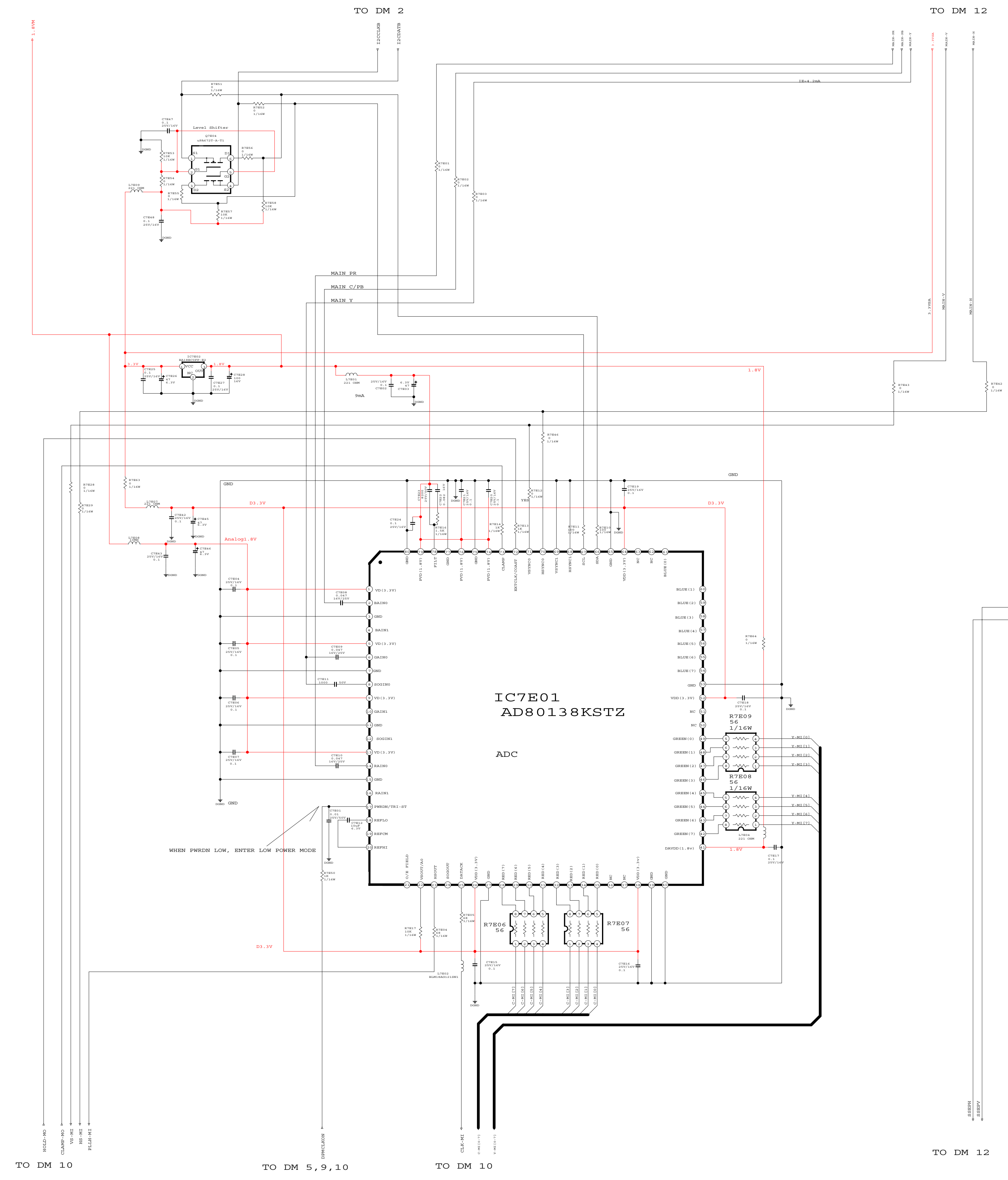


CONTENTS	
PG 1...BLOCK	WD-57732 V33+
PG 2...POWER	WD-65732 V33+
PG 3...TERMINAL	WD-73732 V33+
PG 4...SIGNAL1 [TV MICRO]	WD-Y57 V33Y
PG 5...SIGNAL2 [AUDIO / PIC MICRO]	WD-Y65 V33Y
PG 6...SIGNAL3 [VIDEO SWITCH / DCDC CONVERTER]	
PG 7...SIGNAL4 [3DYC / NTSC DECODER]	
PG 8...SIGNAL5 [TUNER1 / DEMOD1]	
PG 9...SIGNAL6 [TVGOS]	
PG 10...DM1 [DMHDM1]	
PG 11...DM2 [DMCORE]	
PG 12...DM3 [DMMEMA/DC]	
PG 13...DM4 [DMMEMB/USB]	
PG 14...DM5 [DMROM/AV]	
PG 15...DM6 [1394/DVI/F]	
PG 16...DM7 [DMPOD]	
PG 17...DM8 [DMADC-MAIN]	
PG 18...DM9 [DMADC-PCSUB]	
PG 19...DM10 [SPA1]	
PG 20...DM11 [SPA2]	
PG 21...DM12 [DMDCDC]	
PG 22...DM13 [DVI]	
PG 23...DM14 [DMAUDIO]	
PG 24...DM15 [PMTMICRO]	
PG 25...WIOC [FRONT/CONTROL/BRAMP/E2P/SWLAMP]	
PG 26...[INTERFACE / ENG-PWR]	

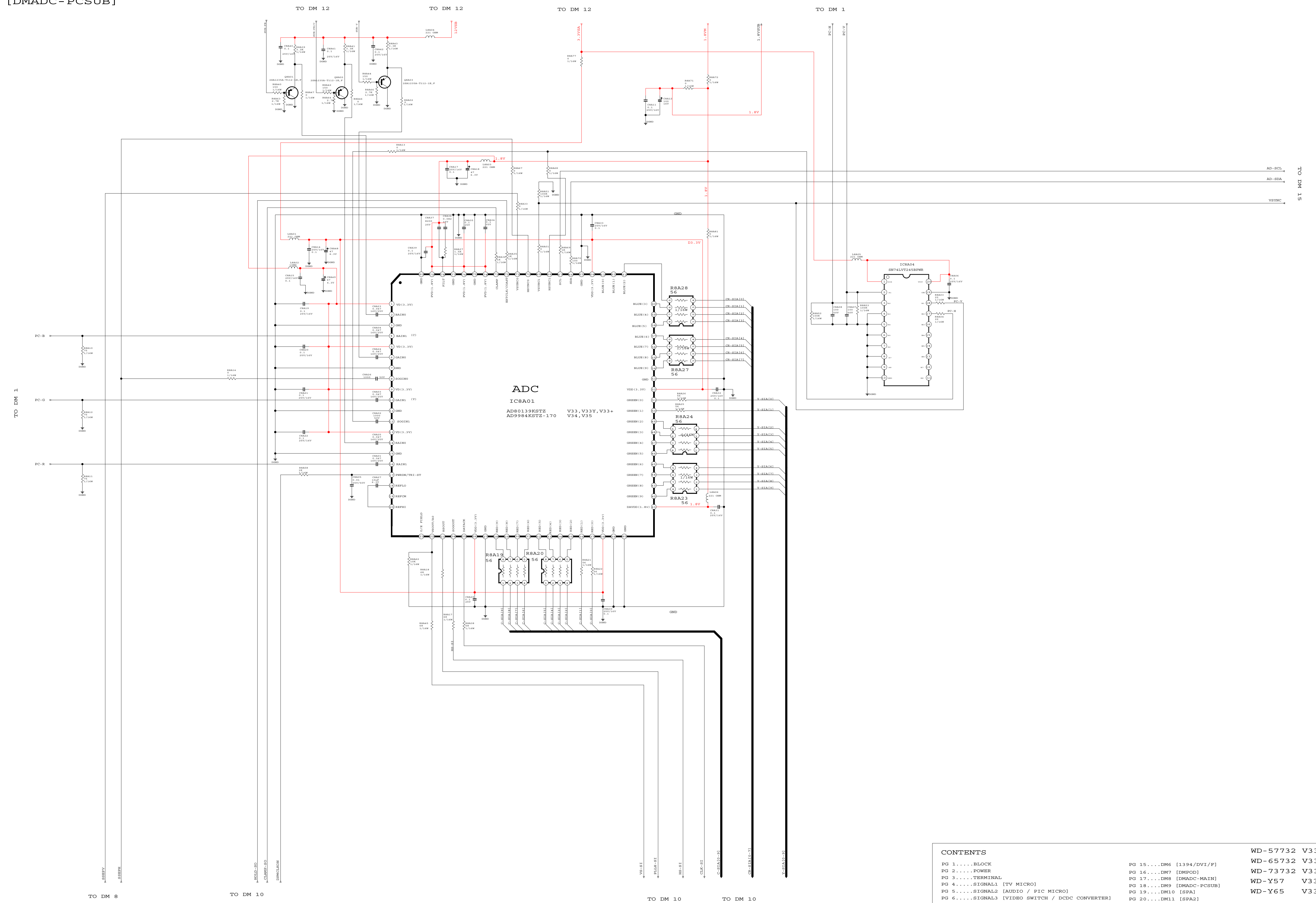


CONTENTS		
PG 1...BLOCK	PG 15...DM6 [1394/DVI/F]	WD-57732 V33+
PG 2...POWER	PG 16...DM7 [DMP0D]	WD-65732 V33+
PG 3...TERMINAL	PG 17...DM8 [DMAC-MAIN]	WD-73732 V33+
PG 4...SIGNAL1 [TV MICRO]	PG 18...DM9 [DMAC-PCSUB]	WD-Y57 V33Y
PG 5...SIGNAL2 [AUDIO / PIC MICRO]	PG 19...DM10 [SPA]	WD-Y65 V33Y
PG 6...SIGNAL3 [VIDEO SWITCH / DCDC CONVERTER]	PG 20...DM11 [SPA2]	
PG 7...SIGNAL4 [3DYC / NTSC DECODER]	PG 21...DM12 [DMDCDC]	
PG 8...SIGNAL5 [TUNER1 / DEMOD1]	PG 22...DM13 [DVI]	
PG 9...SIGNAL6 [TUNER2]	PG 23...DM14 [DMAUDIO]	
PG 10...DM1 [DMHMI]	PG 24...DM15 [PMTMICRO]	
PG 11...DM2 [DMCORE]	PG 25...MISC [FRONT/CONTROL/PREAMP/B2P/SWLAMP]	
PG 12...DM3 [DMMEMA/DC]	PG 26...[INTERFACE / ENG-PWR]	
PG 13...DM4 [DMMEMB/USB]		
PG 14...DM5 [DMROM/AV]		

A
B
C
D
E
F
G
H
I
J
K

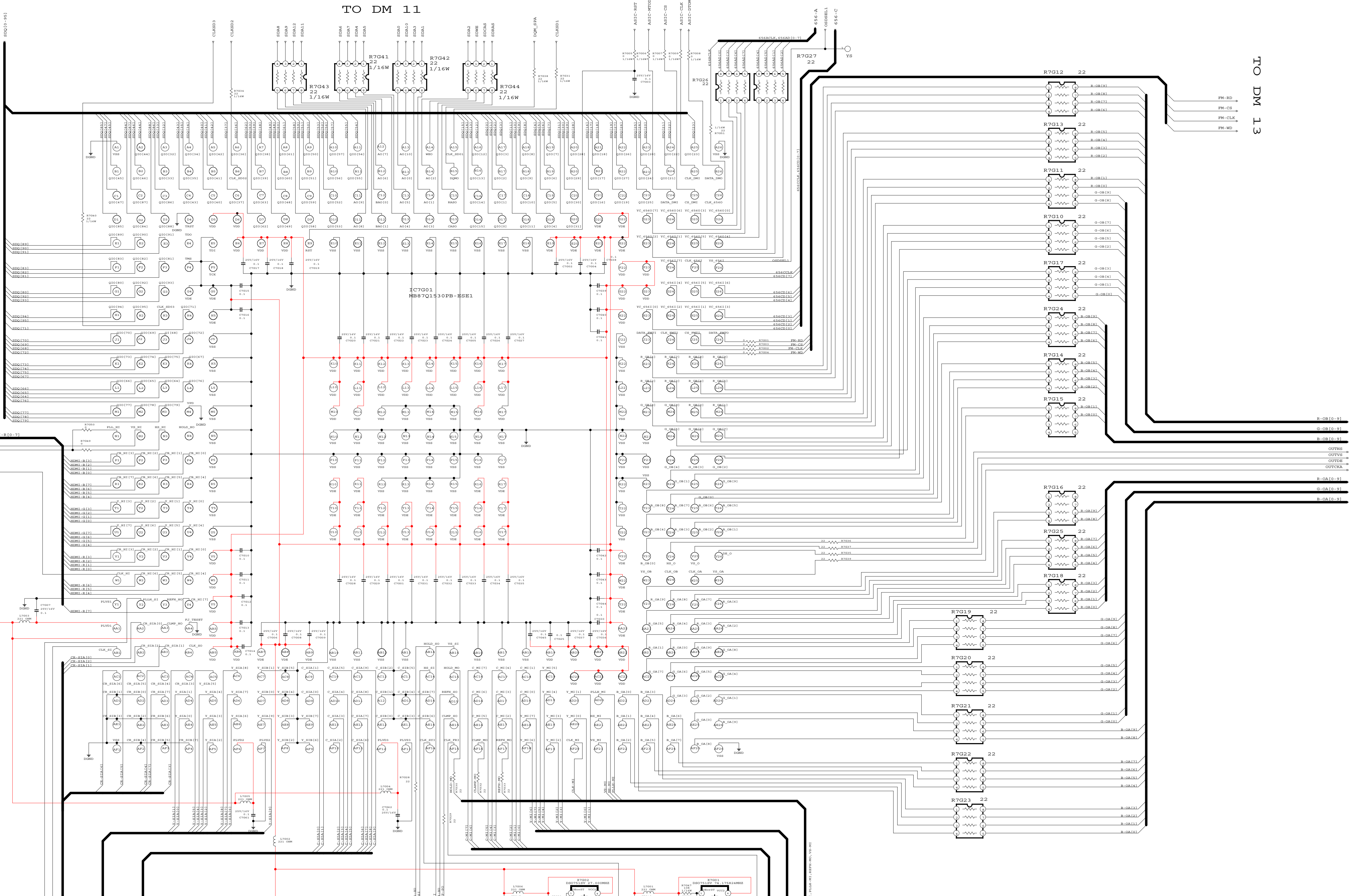


CONTENTS		
PG 1...BLOCK	PG 15...DM6 [1394/DVI/F]	WD-57732 V33+
PG 2...POWER	PG 16...DM7 [DMPOD]	WD-65732 V33+
PG 3...TERMINAL	PG 17...DM8 [DMADC-MAIN]	WD-73732 V33+
PG 4...SIGNAL1 [TV MICRO]	PG 18...DM9 [DMADC-PCSUB]	WD-Y57 V33Y
PG 5...SIGNAL2 [AUDIO / PIC MICRO]	PG 19...DM10 [SPA]	WD-Y65 V33Y
PG 6...SIGNAL3 [VIDEO SWITCH / DCDC CONVERTER]	PG 20...DM11 [SPA2]	
PG 7...SIGNAL4 [SDVC / NTSC DECODER]	PG 21...DM12 [DMDCDC]	
PG 8...SIGNAL5 [TUNER1 / DMOD1]	PG 22...DM13 [DVI]	
PG 9...SIGNAL6 [TVGOS]	PG 23...DM14 [DMAUDIO]	
PG 10...DM1 [DMHDMI]	PG 24...DM15 [FMTMICRO]	
PG 11...DM2 [DMCORE]	PG 25...MISC [FRONT/CONTROL/PREAMP/E2P/SWLAMP]	
PG 12...DM3 [DMMEMA/DC]	PG 26...[INTERFACE / ENG-PWR]	
PG 13...DM4 [DMMEMB/USB]		
PG 14...DM5 [DMROM/AV]		



CONTENTS		
PG 1....BLOCK		WD-57732 V33+
PG 2....POWER	PG 15....DM6 [1394/DVI/F]	WD-65732 V33+
PG 3....TERMINAL	PG 16....DM7 [DMP0D]	WD-73732 V33+
PG 4....SIGNAL1 [TV MICRO]	PG 17....DM8 [DMADC-MAIN]	WD-Y57 V33Y
PG 5....SIGNAL2 [AUDIO / PIC MICRO]	PG 18....DM9 [DMADC-PCSUB]	WD-Y65 V33Y
PG 6....SIGNAL3 [VIDEO SWITCH / DCDC CONVERTER]	PG 19....DM10 [SPA]	
PG 7....SIGNAL4 [3DYC / NTSC DECODER]	PG 20....DM11 [SPA2]	
PG 8....SIGNAL5 [TUNER1 / DEMOD1]	PG 21....DM12 [DMDCDC]	
PG 9....SIGNAL6 [TVGOS]	PG 22....DM13 [DVI]	
PG 10....DM1 [DMHDM1]	PG 23....DM14 [DMAUDIO]	
PG 11....DM2 [DMCORE]	PG 24....DM15 [FMTMICRO]	
PG 12....DM3 [DMMEMB/DC]	PG 25....MISC [FRONT/CONTROL/PREAMP/E2P/SWLAMP]	
PG 13....DM4 [DMMEMB/USB]	PG 26....[INTERFACE / ENG-PWR]	
PG 14....DM5 [DMROM/AV]		

A
B
C
D
E
F
G
H
I
J
K



TO DM 1 HDMI

TO DM 11

TO DM 5

TO DM 2

TO DM 13

TO DM 15

TO DM 9

TO DM 5,8,9,10

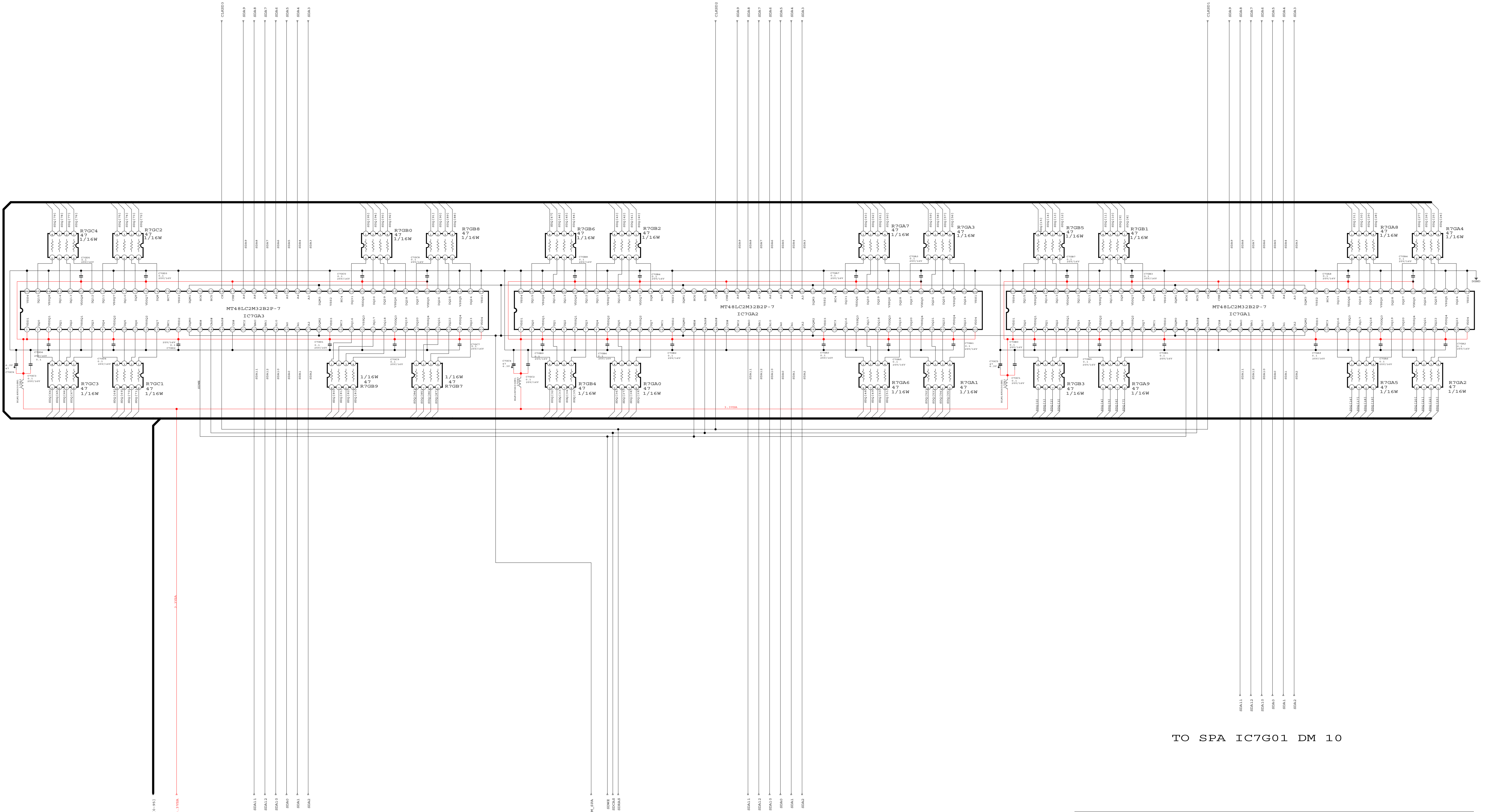
TO DM 8

CONTENTS		
PG 1...BLOCK	PG 15...DM6 [1394/DVI/F]	WD-57732 V33+
PG 2...POWER	PG 16...DM7 [DMPOD]	WD-65732 V33+
PG 3...TERMINAL	PG 17...DM8 [DMADC-MAIN]	WD-73732 V33+
PG 4...SIGNAL1 [TV MICRO]	PG 18...DM9 [DMADC-PCSUB]	WD-Y57 V33Y
PG 5...SIGNAL2 [AUDIO / PIC MICRO]	PG 19...DM10 [SPA]	WD-Y65 V33Y
PG 6...SIGNAL3 [VIDEO SWITCH / DCDC CONVERTER]	PG 20...DM11 [SPA2]	
PG 7...SIGNAL4 [3DYC / NTSC DECODER]	PG 21...DM12 [DMDCDC]	
PG 8...SIGNAL5 [TUNER1 / DEMOD1]	PG 22...DM13 [DVI]	
PG 9...SIGNAL6 [TVGOS]	PG 23...DM14 [DMAUDIO]	
PG 10...DM1 [DMHDMI]	PG 24...DM15 [FMHMICRO]	
PG 11...DM2 [DMOORE]	PG 25...MISC [FRONT/CONTROL/PREAMP/R2P/SWAMP]	
PG 12...DM3 [DMMEMB/DC]	PG 26...INTERFACE / RNG-PWR	
PG 13...DM4 [DMMEMB/USB]		
PG 14...DM5 [DMROM/AV]		

TO SPA IC7G01 DM 10

TO SPA IC7G01 DM 10

TO SPA IC7G01 DM 10

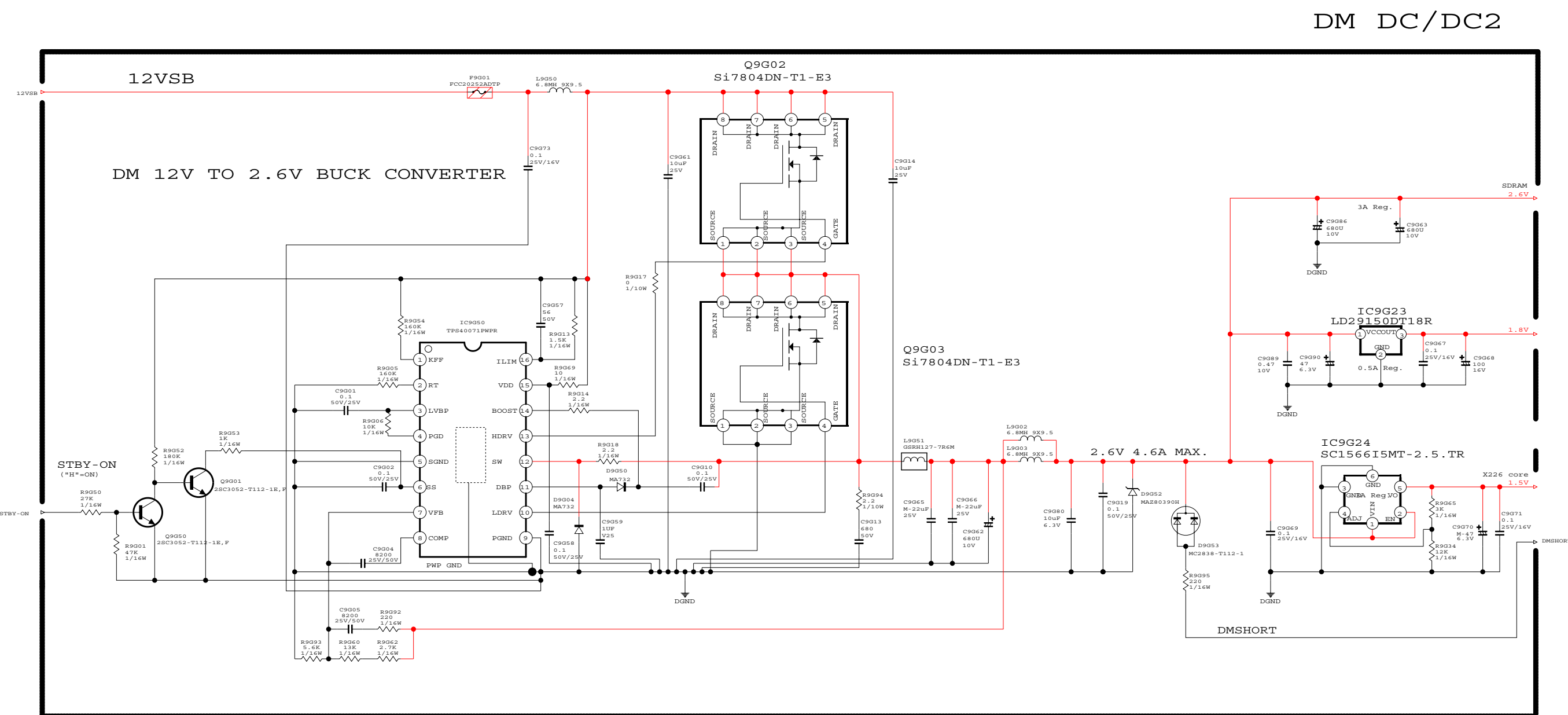
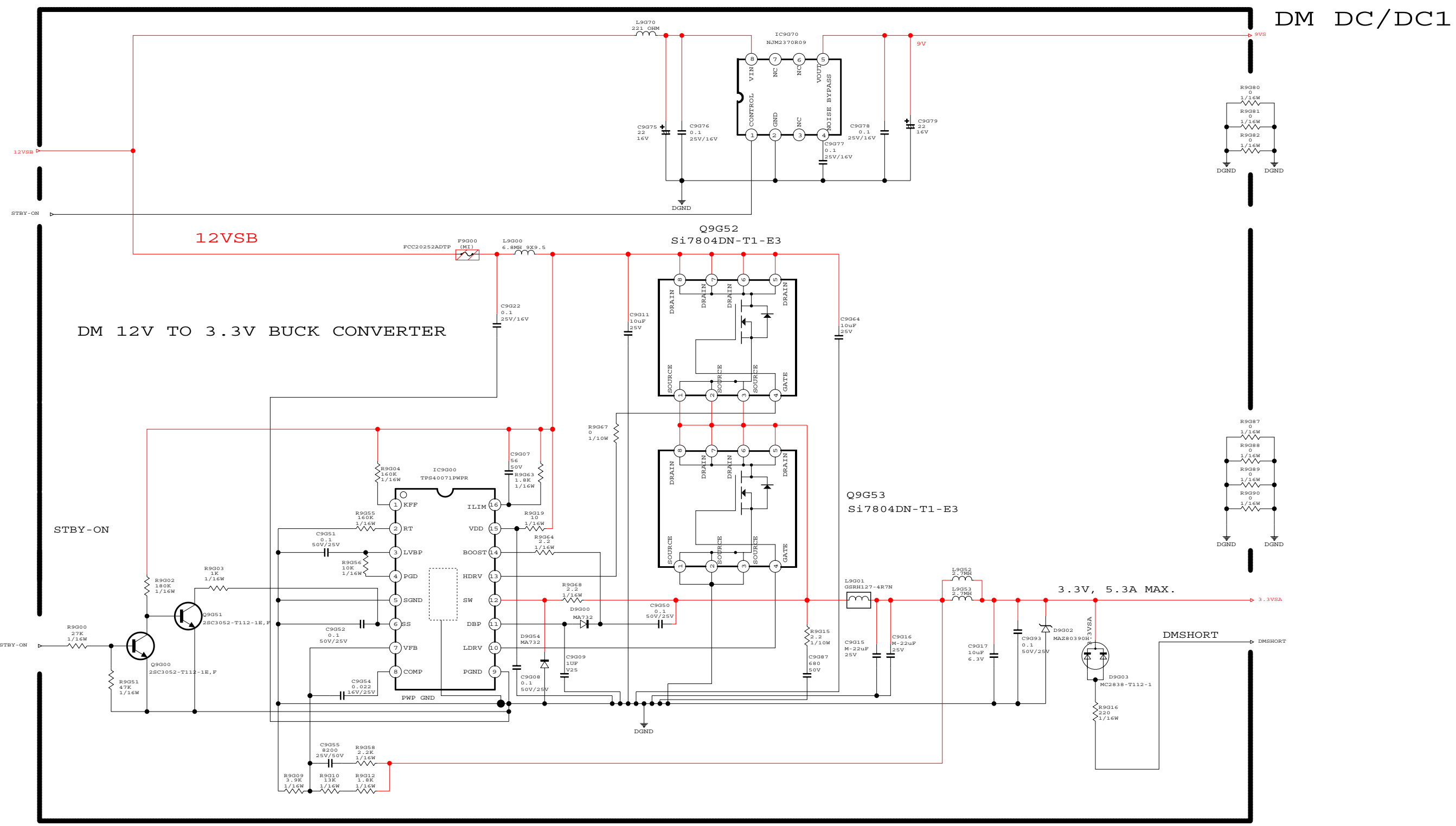


TO SPA IC7G01 DM 10

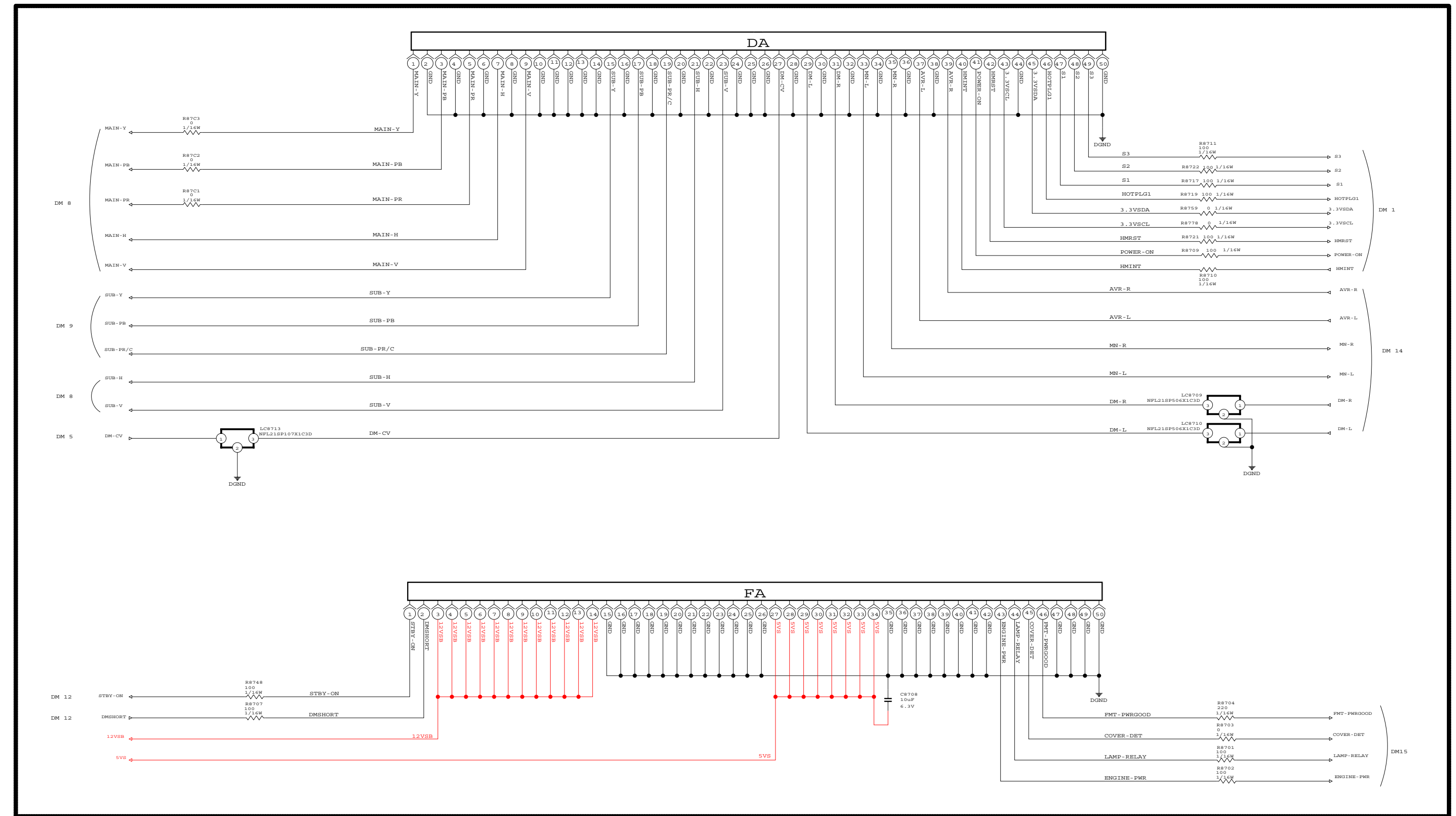
TO SPA IC7G01 DM 10

TO SPA IC7G01 DM 10

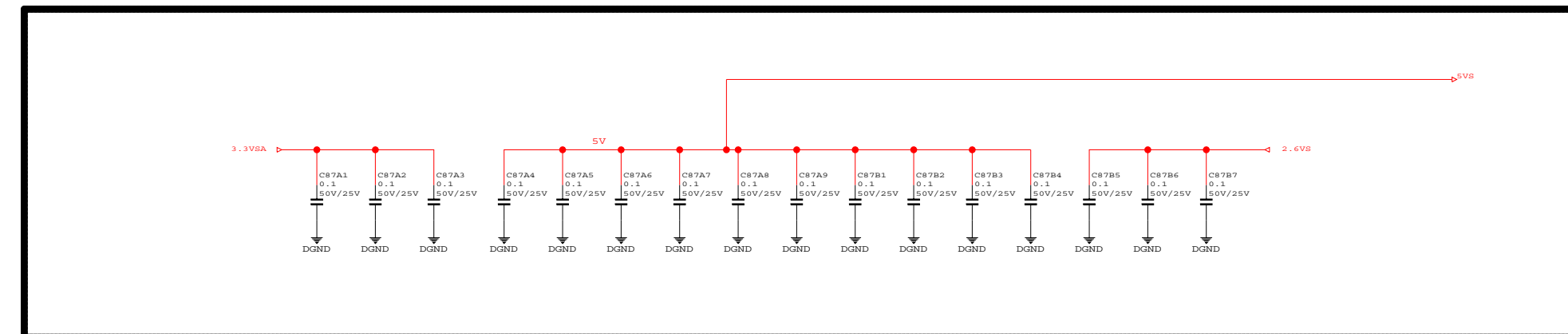
CONTENTS		
PG 1...BLOCK	PG 15...DM6 [1394/DVI/F]	WD-57732 V33+
PG 2...POWER	PG 16...DM7 [DMPD]	WD-65732 V33+
PG 3...TERMINAL	PG 17...DM8 [DMADC-MAIN]	WD-73732 V33+
PG 4...SIGNAL1 [TV MICRO]	PG 18...DM9 [DMADC-PCSUB]	WD-Y57 V33Y
PG 5...SIGNAL2 [AUDIO / PIC MICRO]	PG 19...DM10 [SPA]	WD-Y65 V33Y
PG 6...SIGNAL3 [VIDEO SWITCH / DDC CONVERTER]	PG 20...DM11 [SPA2]	
PG 7...SIGNAL4 [SDVC / NTSC DECODER]	PG 21...DM12 [DMDCDC]	
PG 8...SIGNAL5 [TUNER1 / DEMOD1]	PG 22...DM13 [DVI]	
PG 9...SIGNAL6 [TVGOS]	PG 23...DM14 [DMAUDIO]	
PG 10...DM1 [DMIDMI]	PG 24...DM15 [FMTMICRO]	
PG 11...DM2 [DMCORE]	PG 25...MISC [FRONT/CONTROL/PREAMP/E2P/SWLAMP]	
PG 12...DM3 [DMHMA/DC]	PG 26...[INTERFACE / ENG-PWR]	
PG 13...DM4 [DMHMB/USB]		
PG 14...DM5 [DMROM/AV]		



INTERFACE CONNECTORS FOR SIGNAL



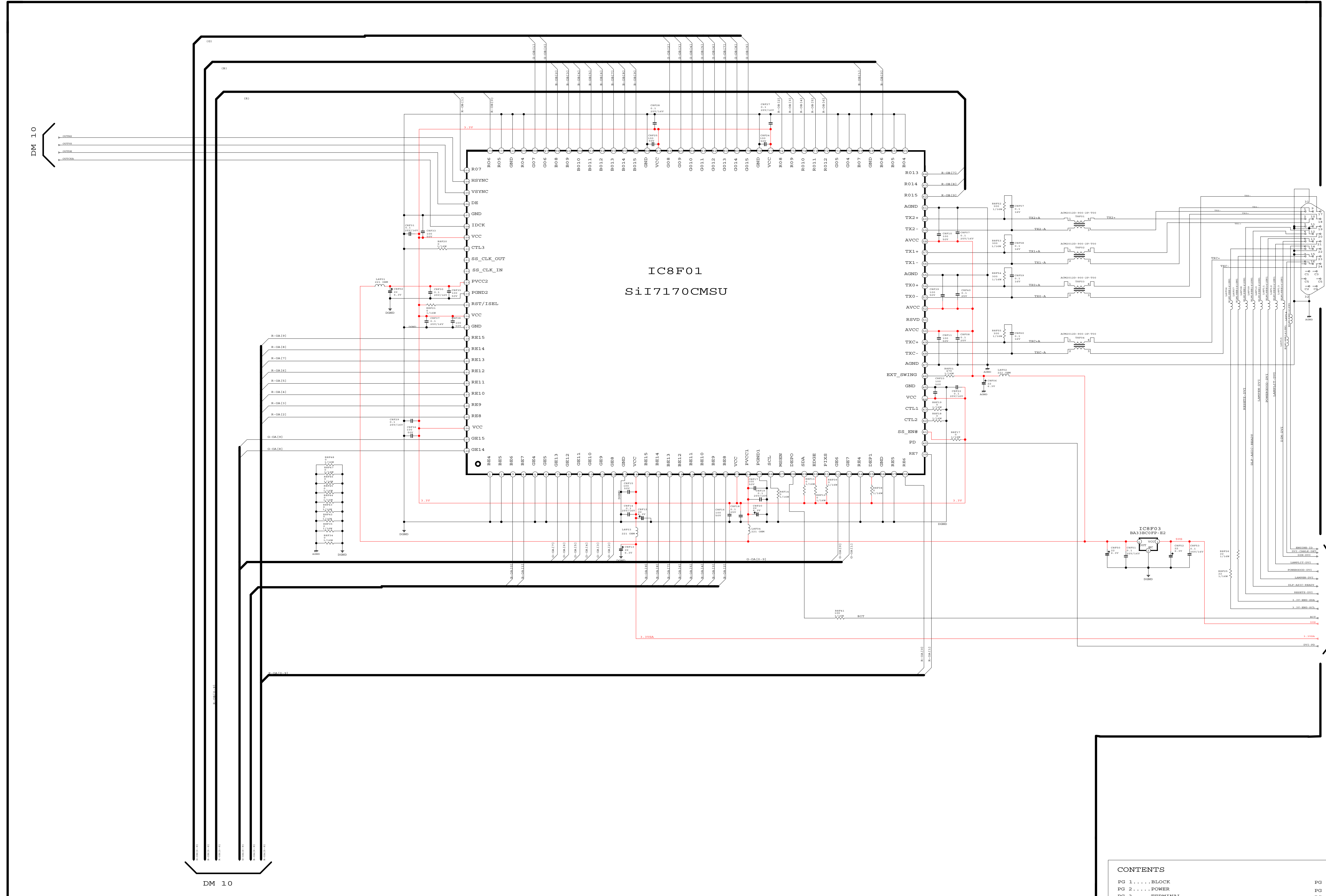
CAPACITORS FOR EMI



CONTENTS

PG 1...BLOCK	PG 15...DM6 [1394/DVI/P]	WD-57732 V33+
PG 2...POWER	PG 16...DM7 [DMOD]	WD-65732 V33+
PG 3...TERMINAL	PG 17...DM8 [DMADC-MAIN]	WD-73732 V33+
PG 4...SIGNAL1 [TV MICRO]	PG 18...DM9 [DMADC-PCSUB]	WD-Y57 V33Y
PG 5...SIGNAL2 [AUDIO / PIC MICRO]	PG 19...DM10 [SPA]	WD-Y65 V33Y
PG 6...SIGNAL3 [VIDEO SWITCH / DCDC CONVERTER]	PG 20...DM11 [SPA2]	
PG 7...SIGNAL4 [3DYC / NTSC DECODER]	PG 21...DM12 [DMDCDC]	
PG 8...SIGNAL5 [TUNER1 / DRMOD1]	PG 22...DM13 [DVI]	
PG 9...SIGNAL6 [TVGOS]	PG 23...DM14 [DMAUDIO]	
PG 10...DM1 [DMHDMI]	PG 24...DM15 [PMTMICRO]	
PG 11...DM2 [DMCORR]	PG 25...MISC [FRONT/CONTROL/PREAMP/E2P/SWLAMP]	
PG 12...DM3 [DMHENA/DC]	PG 26...[INTERFACE / ENG-PWR]	
PG 13...DM4 [DMMEMB/USB]		
PG 14...DM5 [DMROM/AV]		

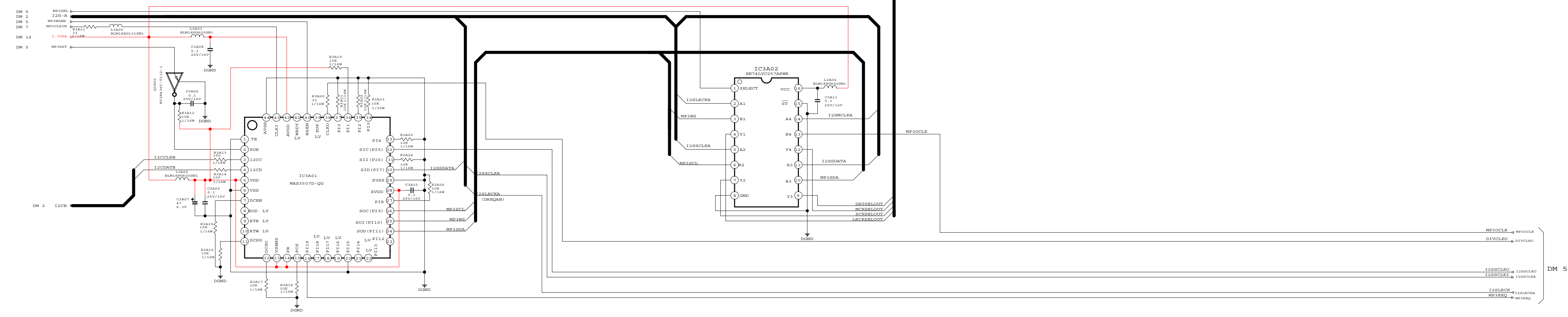
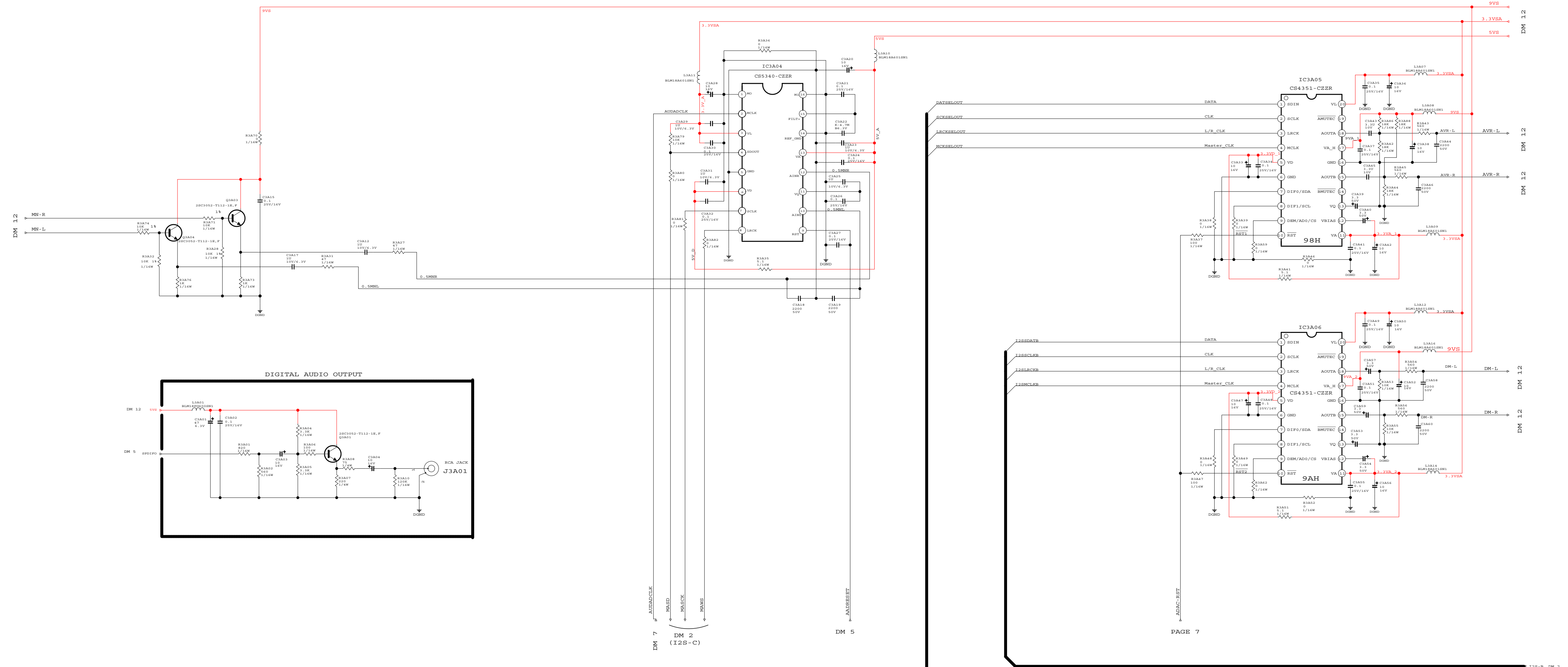
A
B
C
D
E
F
G
H
I
J
K



J8F01
TO ENGINE

DM 15

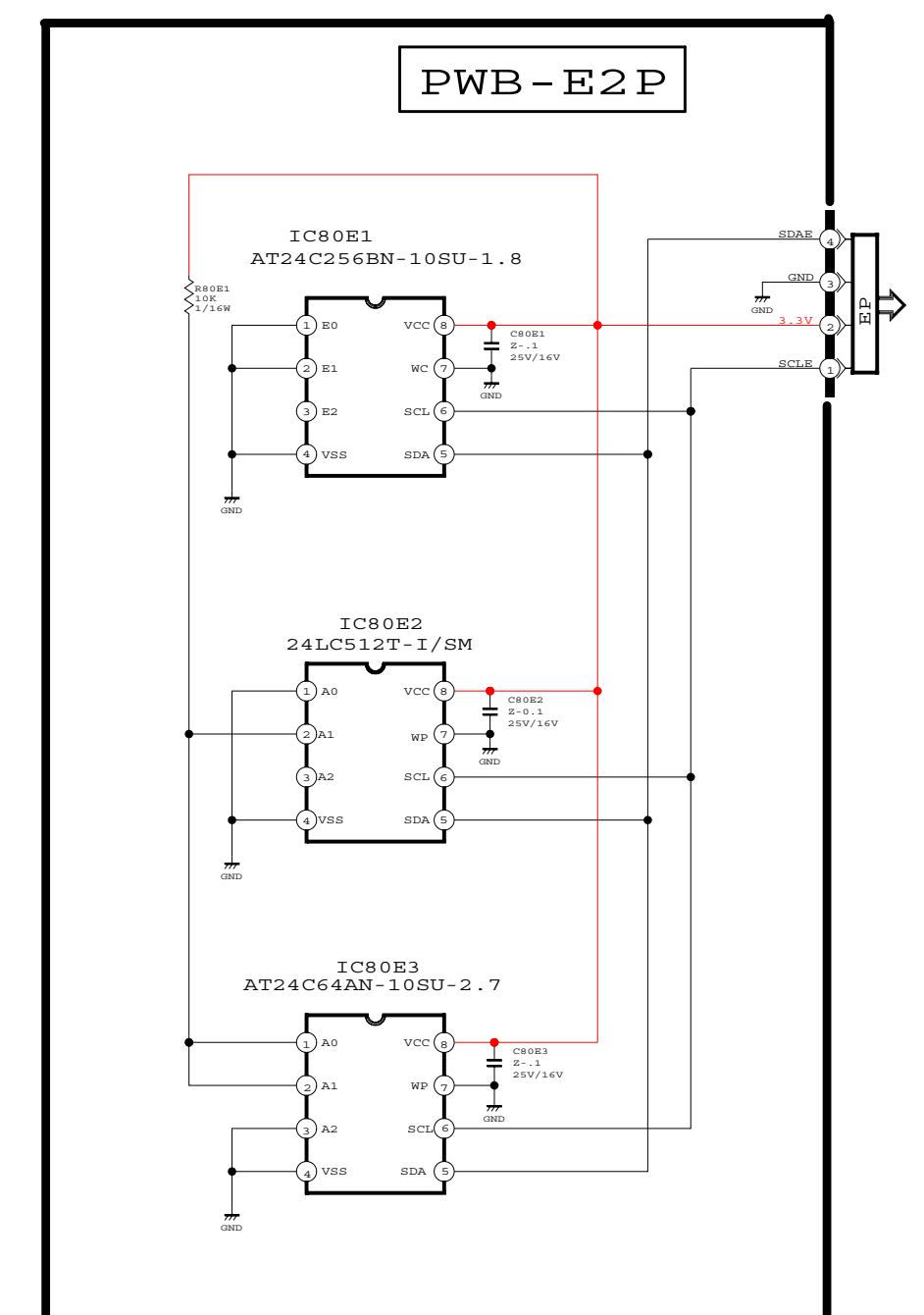
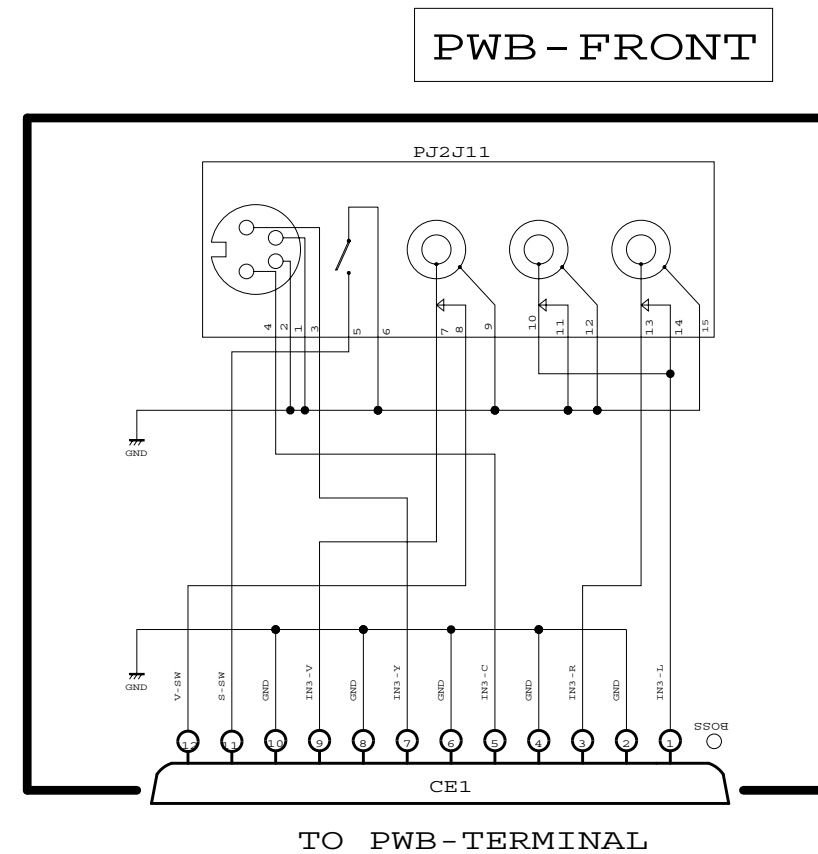
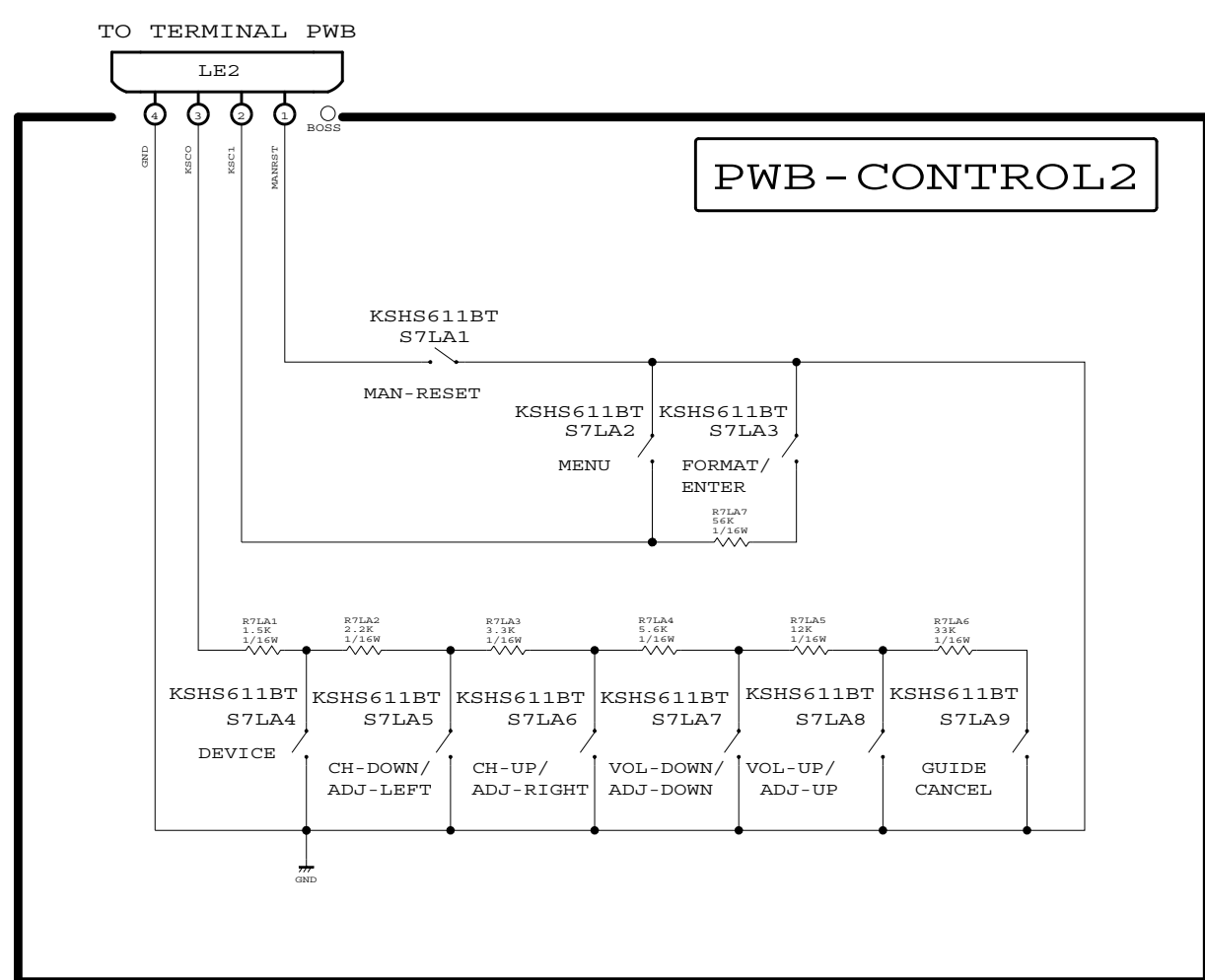
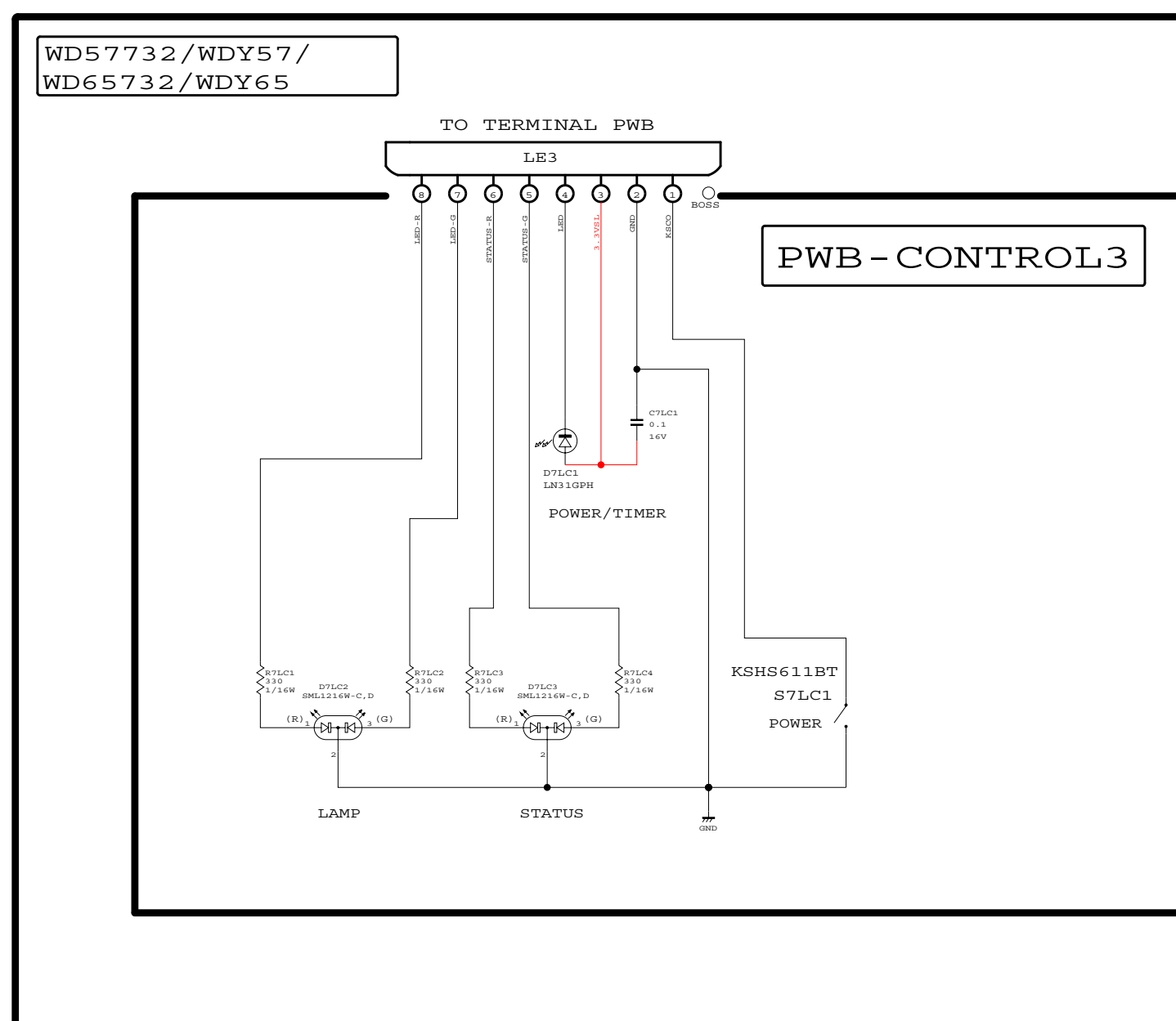
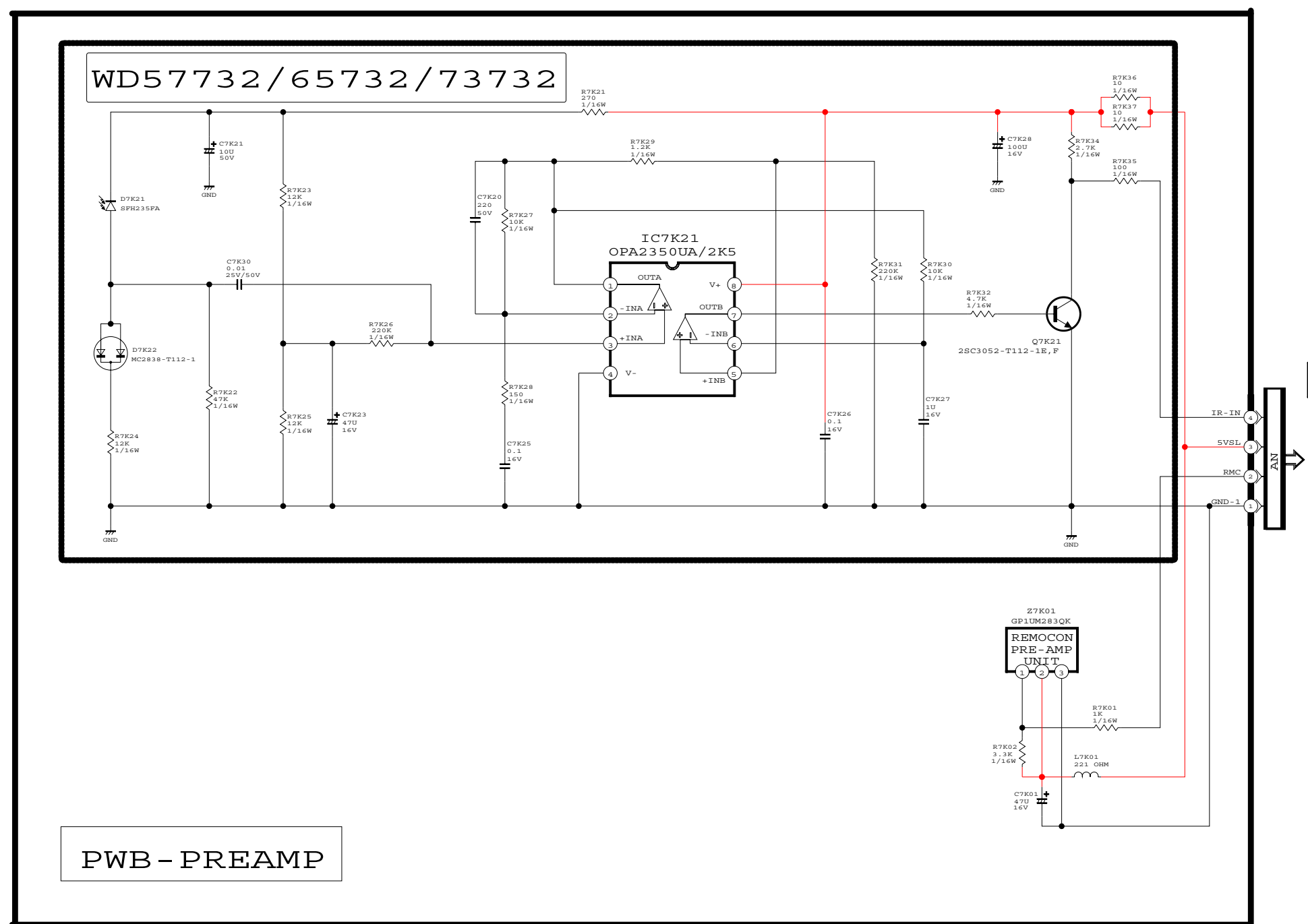
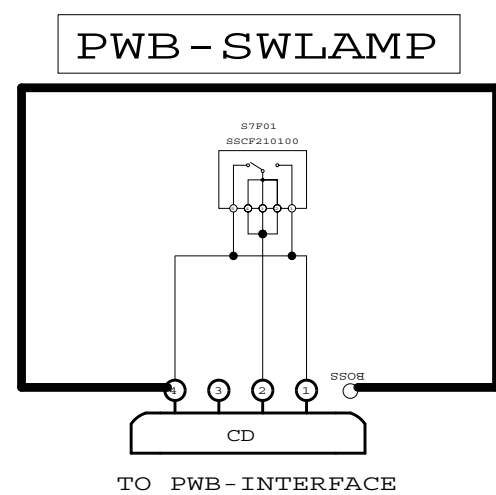
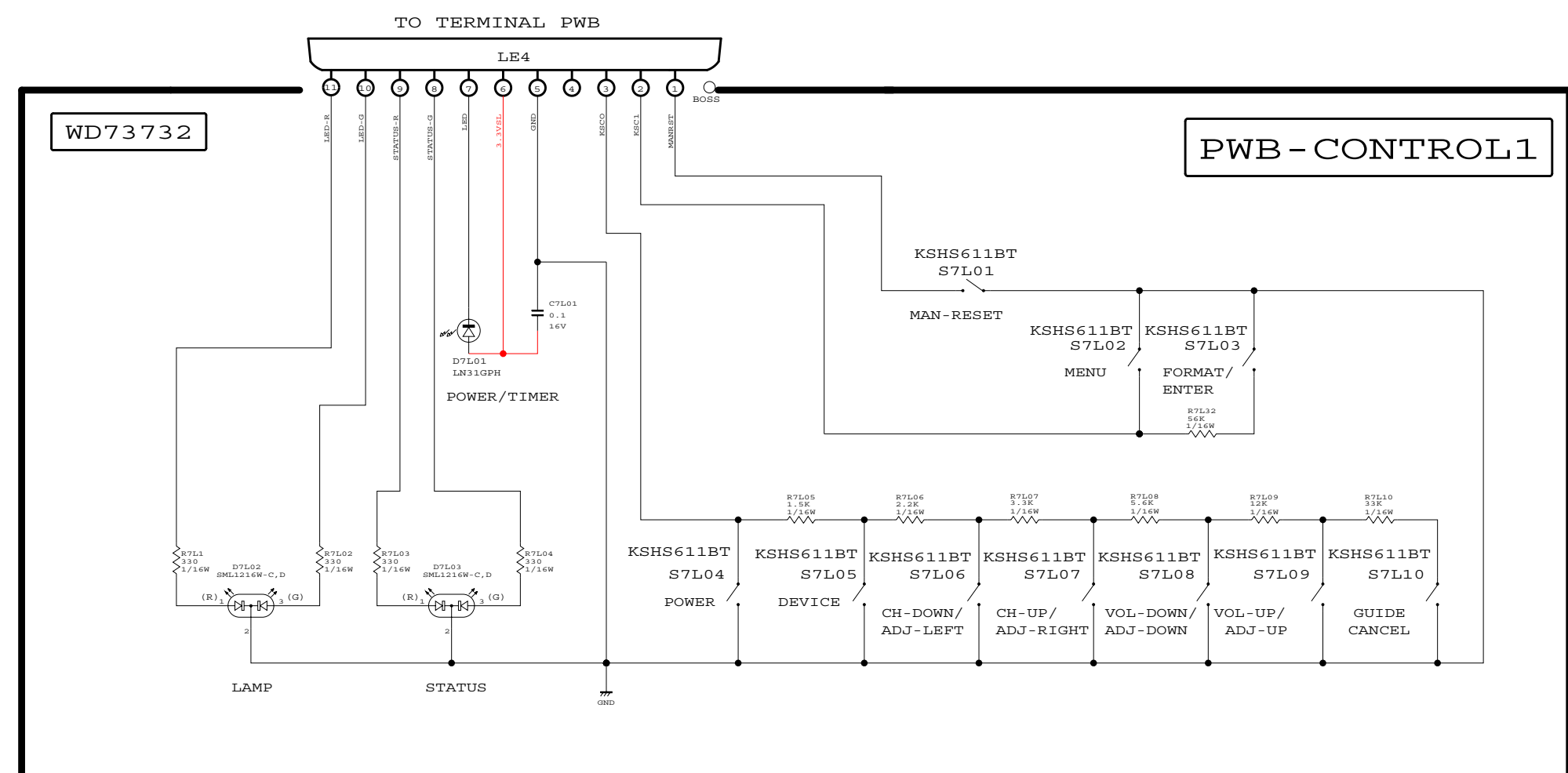
CONTENTS		
PG 1...BLOCK	PG 15...DM6 [1394/DVI/P]	WD-57732 V33+
PG 2...POWER	PG 16...DM7 [DMPOD]	WD-65732 V33+
PG 3...TERMINAL	PG 17...DM8 [DMADC-MAIN]	WD-73732 V33+
PG 4...SIGNAL1 [TV MICRO]	PG 18...DM9 [DMADC-PCSUB]	WD-Y57 V33Y
PG 5...SIGNAL2 [AUDIO / PIC MICRO]	PG 19...DM10 [SPA]	WD-Y65 V33Y
PG 6...SIGNAL3 [VIDEO SWITCH / DCDC CONVERTER]	PG 20...DM11 [SPA2]	
PG 7...SIGNAL4 [3DYC / NTSC DECODER]	PG 21...DM12 [DMCKDC]	
PG 8...SIGNAL5 [TUNER / DEMOD1]	PG 22...DM13 [DVI]	
PG 9...SIGNAL6 [TVGOS]	PG 23...DM14 [DMAUDIO]	
PG 10...DM1 [DMHDMI]	PG 24...DM15 [FMTMICRO]	
PG 11...DM2 [DMCORE]	PG 25...MISC [FRONT/CONTROL/PREAMP/E2P/SWLAMP]	
PG 12...DM3 [DMHDMI/DC]	PG 26...[INTERFACE / ENG-PWR]	
PG 13...DM4 [DMHDMI/USB]		
PG 14...DM5 [DMROM/AV]		



Item 5 through 8 only (MP3)

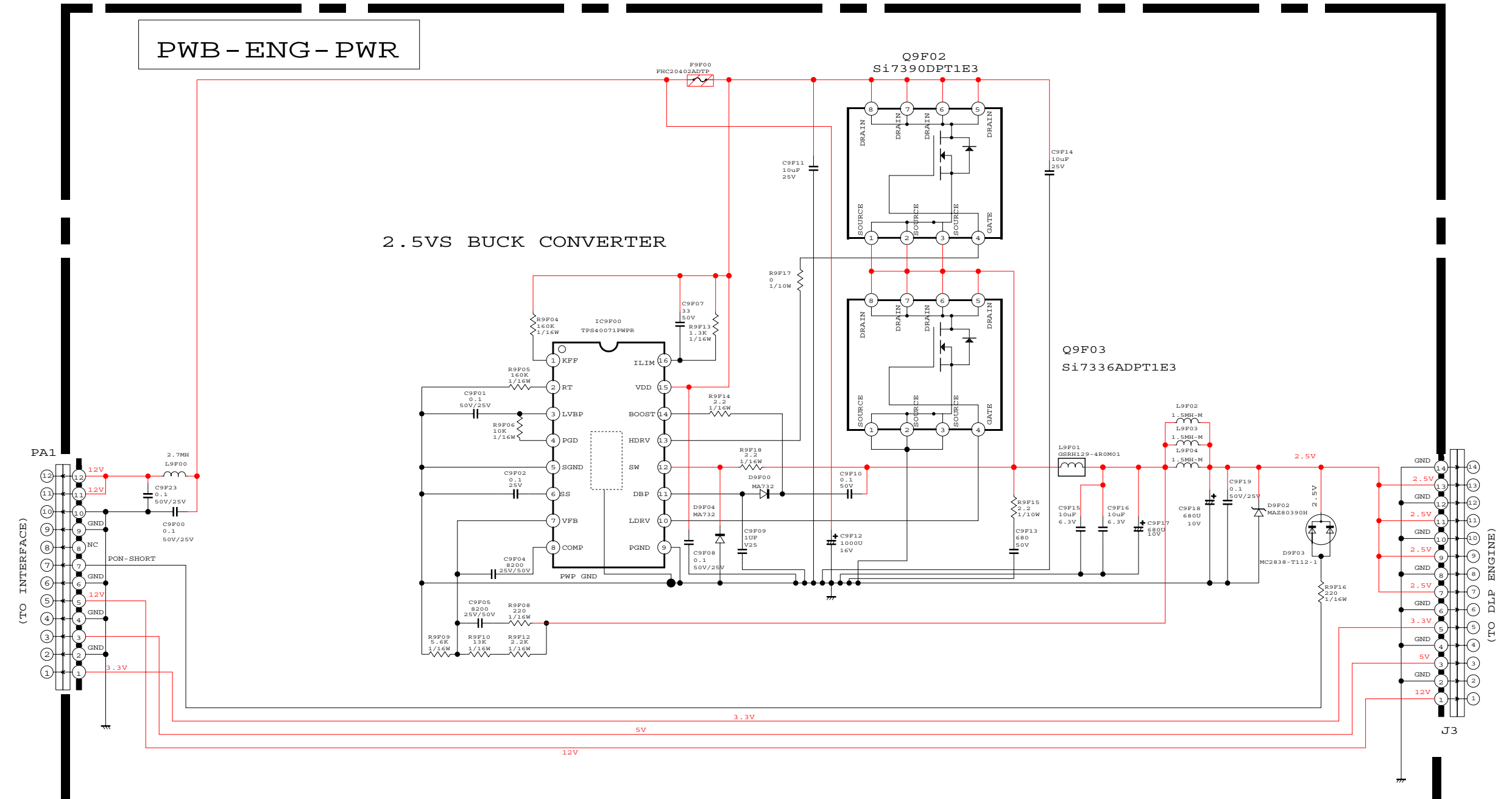
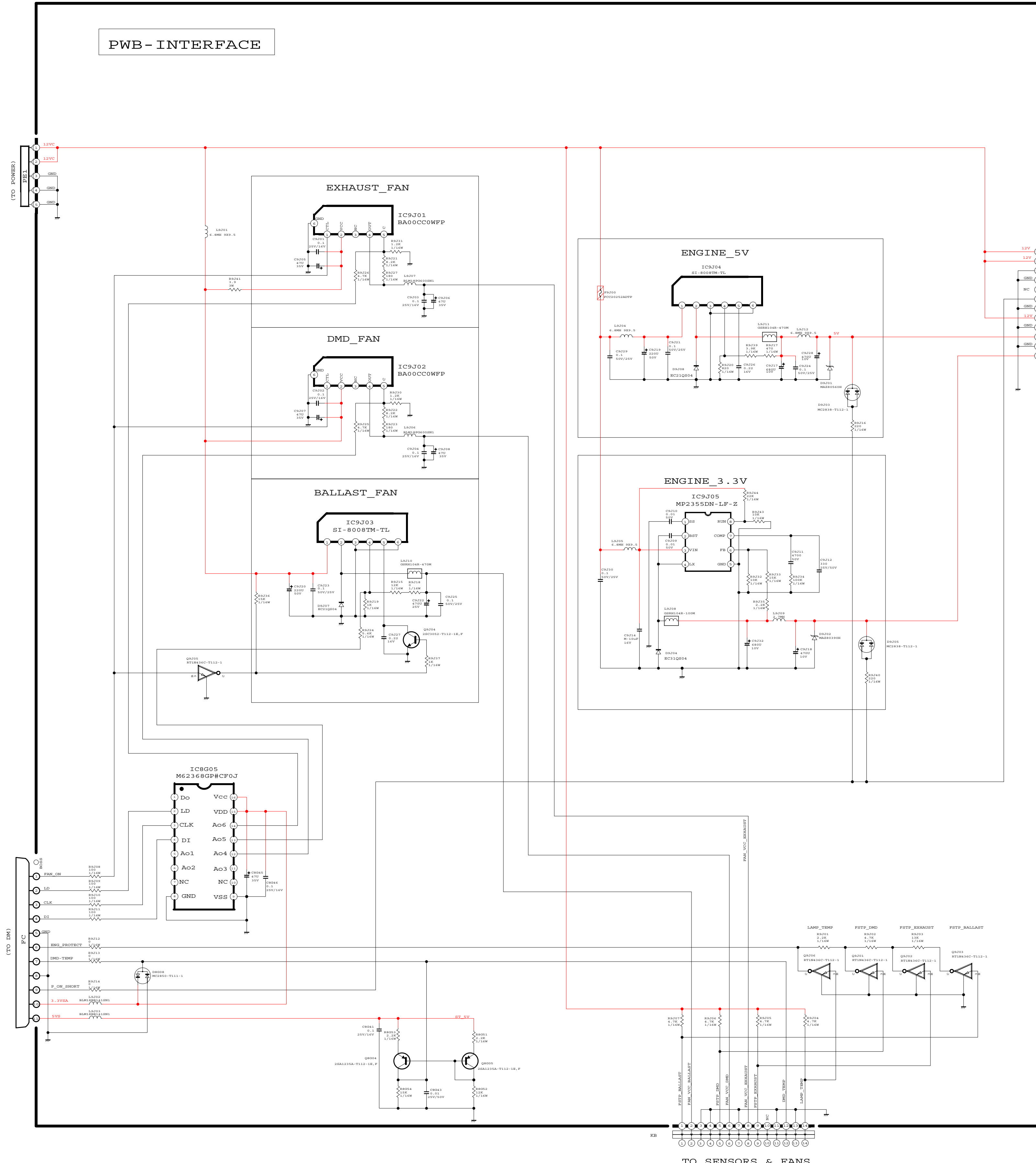
CONTENTS		
PG 1...BLOCK	PG 15...DM6 [1394/DVI/FI]	WD-57732 V33+
PG 2...POWER	PG 16...DM7 [DMPOS]	WD-65732 V33+
PG 3...TERMINAL	PG 17...DM8 [DMADC-MAIN]	WD-73732 V33+
PG 4...SIGNAL1 [TV MICRO]	PG 18...DM9 [DMADC-PCSUB]	WD-Y57 V33Y
PG 5...SIGNAL2 [AUDIO / PIC MICRO]	PG 19...DM10 [SPA]	WD-Y65 V33Y
PG 6...SIGNAL3 [VIDEO SWITCH / DCDC CONVERTER]	PG 20...DM11 [SPA2]	
PG 7...SIGNAL4 [SDYC / NTSC DECODER]	PG 21...DM12 [DMDCDC]	
PG 8...SIGNAL5 [TUNER1 / DEMOD1]	PG 22...DM13 [DVI]	
PG 9...SIGNAL6 [TVGOS]	PG 23...DM14 [DMAUDIO]	
PG 10...DM1 [DMHDMI]	PG 24...DM15 [FNTMICRO]	
PG 11...DM2 [DMCORE]	PG 25...MISC [FRONT/CONTROL/PREAMP/E2P/SWLAMP]	
PG 12...DM3 [DMMEMB/DC]	PG 26...[INTERFACE / ENG-PWR]	
PG 13...DM4 [DMMEMB/USB]		
PG 14...DM5 [DMROM/AV]		

A
B
C
D
E
F
G
H
I
J
K



CONTENTS		
PG 1...BLOCK	PG 15...DM6 [1394/DVI/P]	WD-57732 V33+
PG 2...POWER	PG 16...DM7 [DMPOD]	WD-65732 V33+
PG 3...TERMINAL	PG 17...DM8 [DMADC-MAIN]	WD-73732 V33+
PG 4...SIGNAL1 [TV MICRO]	PG 18...DM9 [DMADC-PCSUB]	WD-Y57 V33Y
PG 5...SIGNAL2 [AUDIO / PIC MICRO]	PG 19...DM10 [SPA]	WD-Y65 V33Y
PG 6...SIGNAL3 [VIDEO SWITCH / DCDC CONVERTER]	PG 20...DM11 [SPA2]	
PG 7...SIGNAL4 [3DYC / NTSC DECODER]	PG 21...DM12 [DMDCDC]	
PG 8...SIGNAL5 [TUNER1 / DEMOD1]	PG 22...DM13 [DVI1]	
PG 9...SIGNAL6 [TVGOS]	PG 23...DM14 [DMAUDIO]	
PG 10...DM1 [DMHDMI]	PG 24...DM15 [DMTMCRO]	
PG 11...DM2 [DMCORE]	PG 25...MISC [FRONT/CONTROL/PREAMP/E2P/SWLAMP]	
PG 12...DM3 [DMMEMA/DC]	PG 26...[INTERFACE / ENG-PWR]	
PG 13...DM4 [DMMEMB/USB]		
PG 14...DM5 [DMROM/AV]		

A
B
C
D
E
F
G
H
I
J
K



TO SENSORS & FANS

CONTENTS

PG 1....BLOCK	PG 15....DM6 [I394/DVI/F]	WD-57732 V33+
PG 2....POWER	PG 16....DM7 [DMPO]	WD-65732 V33+
PG 3....TERMINAL	PG 17....DM8 [DMADC-MAIN]	WD-73732 V33+
PG 4....SIGNAL1 [TV MICRO]	PG 18....DM9 [DMADC-PCSUB]	WD-Y57 V33Y
PG 5....SIGNAL2 [AUDIO / PIC MICRO]	PG 19....DM10 [SPA]	WD-Y65 V33Y
PG 6....SIGNAL3 [VIDEO SWITCH / DCDC CONVERTER]	PG 20....DM11 [SPA2]	
PG 7....SIGNAL4 [IDVC / NTSC DECODER]	PG 21....DM12 [DMDCDC]	
PG 8....SIGNAL5 [TUNER1 / DEMOD1]	PG 22....DM13 [DVI]	
PG 9....SIGNAL6 [TVSOS]	PG 23....DM14 [DMAUDIO]	
PG 10....DM1 [DMHDMI]	PG 24....DM15 [FMIMICRO]	
PG 11....DM2 [DMCORE]	PG 25....MISC [FRONT/CONTROL/PREAMP/E2P/SWLAMP]	
PG 12....DM3 [DMMEMA/DC]	PG 26....[INTERFACE / ENG-PWR]	
PG 13....DM4 [DMMEM/USB]		
PG 14....DM5 [DMROM/AV]		