

J

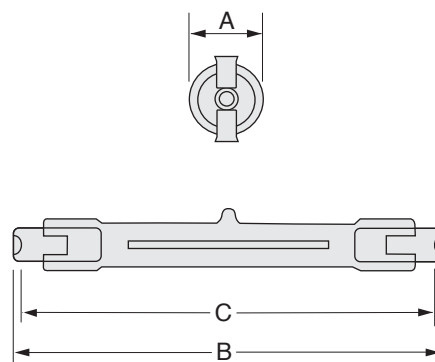
- Only for Use in Approved Enclosed Halogen Fixtures • T2.5 & T4
- Recessed Single Contact
- Compact CC-8 & Linear C-8 Filaments
- Even, Linear Illumination



Watts	Ushio Ordering Code	Ushio Lamp Description	Dimensions mm			Filament Type	Approx Lumens lm	Avg Life h	Bulb Finish
			Dia (A)	MOL (B)	C-to-C (C)				
R7s-12 Base - MOL \approx 3 1/8" (80.3mm) - T2.5, T4*									
100	1000698	J120V-100W/79MM SHORT	8.0	80.3	74.9	CC-8	1450	1500	Clear
100	1000721	J130V-100W/79MM SHORT	8.0	80.3	74.9	CC-8	1450	1500	Clear
100	1000762	J240V-100W/79MM SHORT	8.0	80.3	74.9	CC-8	1250	1500	Clear
150	1001734	J12V-150WA/80*	12.0	85.5	80.0	C-8	2700	2000	Clear
150	1000701	J120V-150W/79MM SHORT	8.0	80.3	74.9	CC-8	2400	1500	Clear
150	1000723	J130V-150W/79MM SHORT	8.0	80.3	74.9	CC-8	2400	2000	Clear
150	1000751	J230V-150W/79MM SHORT	8.0	80.3	74.9	CC-8	1950	1500	Clear
150	1000765	J240V-150W/79MM SHORT	8.0	80.3	74.9	CC-8	1950	1500	Clear
200	1000703	J120V-200W/79MM SHORT	8.0	80.3	74.9	CC-8	3460	2000	Clear
200	1000705	J120V-200WF/79MM SHORT	8.0	80.3	74.9	CC-8	3400	2000	Frosted
200	1000725	J130V-200W/79MM SHORT	8.0	80.3	74.9	CC-8	3460	2000	Clear
250	1001737	J120V-250WG/83*	8.0	—	80.0	C-8	4000	2000	Clear
250	1000707	J120V-250W/79MM SHORT	8.0	80.3	74.9	CC-8	4500	2000	Clear
250	1000773	J240V-250W/79MM SHORT*	8.0	80.3	74.9	CC-8	3800	2000	Clear
300	1000709	J120V-300W/79MM SHORT	8.0	80.3	74.9	CC-8	5900	2000	Clear
300	1000727	J130V-300W/79MM SHORT	8.0	80.3	74.9	CC-8	5900	2000	Clear

* Special Order Item

With greater economy through long life and high output, J series of lamps are ideal for flood lighting wide areas for both indoor and outdoor lighting installations.



R7s-12

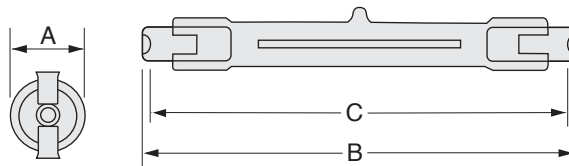
J

- Only for Use in Approved Enclosed Halogen Fixtures
- Recessed Single Contact Base - R7s-12
- Compact CC-8 & Linear C-8 Filaments
- T2.5 & T4



Watts	Ushio Ordering Code	Ushio Lamp Description	Dimensions mm			Filament Type	Approx Lumens lm	Color Temp K	Avg Life h	Bulb Finish
			Dia (A)	MOL (B)	C-to-C (C)					
R7s-12 Base MOL ≈ 4 11/16" (119.6mm) – T 2.5										
100	1000697	J120V-100W/119MM LONG	8.0	119.6	114.2	C-8	1450	2750	1500	Clear
100	1000720	J130V-100W/119MM LONG	8.0	119.6	114.2	C-8	1450	2750	1500	Clear
100	1000761	J240V-100W/119MM LONG*	8.0	119.6	114.2	C-8	1250	—	1500	Clear
150	1000719	J12V-150WG	8.0	119.6	114.2	C-8	2400	2900	1500	Clear
150	1000700	J120V-150W/119MM LONG	8.0	119.6	114.2	C-8	2400	2800	1500	Clear
150	1000722	J130V-150W/119MM LONG	8.0	119.6	114.2	C-8	2400	2850	1500	Clear
150	1000764	J240V-150W/119MM LONG*	8.0	119.6	114.2	C-8	1950	2750	1500	Clear
200	1000702	J120V-200W/119MM LONG	8.0	119.6	114.2	C-8	2850	2900	2000	Clear
200	1000724	J130V-200W/119MM LONG	8.0	119.6	114.2	C-8	2850	2900	2000	Clear
200	1000770	J240V-200W/119MM LONG	8.0	119.6	114.2	C-8	3200	2850	1500	Clear
250	1000706	J120V-250W/119MM LONG	8.0	119.6	114.2	C-8	4500	2900	2000	Clear
300	1000777	J24V-300WG*	8.0	119.6	114.2	C-8	5000	2900	1500	Clear
300	1000779	J32V-300WG	8.0	119.6	114.2	C-8	5000	2900	1500	Clear
300	1000291	EHM, J120V-300W	8.0	119.6	114.2	C-8	5900	3000	2000	Clear
300	1000296	EHZ, J120V-300WF	8.0	119.6	114.2	C-8	5770	3000	2000	Frosted
300	1000726	J130V-300W/119MM LONG	8.0	119.6	114.2	C-8	5900	—	2000	Clear
300	1000756	J230V-300W	8.0	119.6	114.2	CC-8	4800	2900	2000	Clear
500	1000488	FCL, J120V-500W	8.0	119.6	114.2	C-8	10000	3000	2000	Clear
500	1000712	J120V-500W/6*	8.0	119.6	114.2	C-8	11000	3000	2000	Clear
500	1000497	FCZ, J120V-500WF	8.0	119.6	114.2	C-8	10700	3000	2000	Frosted
500	1000224	DVS, J130V-500WB	8.0	119.6	114.2	C-8	10500	3000	2000	Clear
500	1000736	J220V-500WE	12.0	119.6	114.2	C-8	9500	3000	2000	Clear
500	1000077	BSH, J240V-500WN	10.0	119.6	114.2	C-8	9500	2950	2000	Clear
750	1000738	J220V-750WB1	8.0	119.6	114.2	C-8	16100	3050	1500	Clear
MOL ≈ 7 1/2" (191.1mm) – T 2.5, T4*										
1000	1000695	J120V-1000WB*	12.0	191.1	185.7	C-8	22000	3000	2000	Clear
1000	1000739	J225V-1000WB	8.0	191.1	185.7	C-8	22000	3050	2000	Clear
1000	1000258	DZX, J240V-1000WB*	8.0	191.1	185.7	C-8	22000	3050	2000	Clear

* Special Order Item



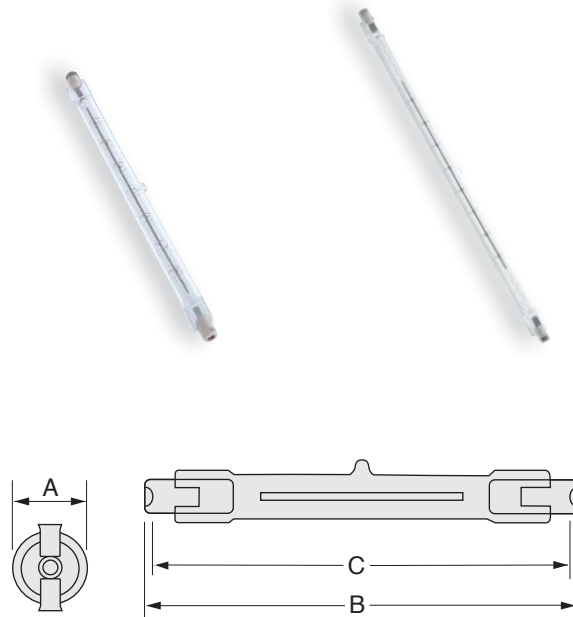
R7s-12

J

- Only for Use in Approved Enclosed Halogen Fixtures
- Recessed Single Contact Base - R7s-12
- Operate Horizontal $\pm 4^\circ$
- T2.5

Watts	Ushio Ordering Code	Ushio Lamp Description	Dimensions mm			Filament Type	Approx Lumens lm	Color Temp K	Avg Life h	Bulb Finish
			Dia (A)	MOL (B)	C-to-C (C)					
R7s-12 Base – MOL $\approx 10 \frac{5}{64}$" (256.1mm)										
1000	1000740	J225V-1000WB1*	8.0	256.1	250.7	C-8	22000	3050	2000	Clear
1000	1000758	J240V-1000WB1	8.0	256.1	250.7	C-8	21500	3050	2000	Clear
1500	1000699	J120V-1500WB	8.0	256.1	250.7	C-8	35000	3050	2000	Clear
1500	1000750	J230V-1500WB	8.0	256.1	250.7	C-8	35000	3000	2000	Clear
1500	1000243	DYD, J240V-1500WB	8.0	256.1	250.7	C-8	33000	3050	2000	Clear
1500	1000778	J277V-1500WB	8.0	256.1	250.7	C-8	31500	3050	2000	Clear
MOL $\approx 13 \frac{5}{32}$" (334.4mm)										
2000	1000752	J230V-2000WB*	8.0	334.4	322.0	C-8	44000	—	2000	Clear

* Special Order Item



R7s-12

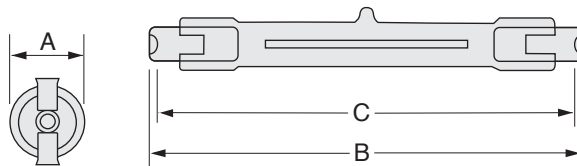
JP

- Only for Use in Approved Enclosed Halogen Fixtures
- Recessed Single Contact Base - R7s-12
- Operate Horizontal ±4°
- T2.5, T3 & T4



Watts	Ushio Ordering Code	Ushio Lamp Description	Dimensions mm			Filament Type	Approx Lumens lm	Color Temp K	Avg Life h	Bulb Finish
			Dia (A)	MOL (B)	C-to-C (C)					
R7s-12 Base – MOL ≈ 4 11/16" (119.6mm)										
500	1000502	FDN, JP120V-500WCF6	12.0	119.6	114.2	C-8	12500	3200	400	Frosted
500	1000500	FDF, JP120V-500WC6	12.0	119.6	114.2	C-8	13250	3200	400	Clear
500	1001084	JP220V-500WC*	12.0	119.6	114.2	C-8	12500	3200	200	Clear
550	1001089	JP225V-550WC*	12.0	119.6	115.6	C-8	14000	3200	250	Clear
750	1000327	EMD, JP120V-750WCF	12.0	119.6	114.2	C-8	19500	3200	400	Frosted
750	1000299	EJG, JP120V-750WC	12.0	119.6	114.2	C-8	20600	3200	400	Clear
800	1000329	EMF, JP240V-800WCF	12.0	119.6	114.2	C-8	21400	3200	250	Frosted
800	1000328	EME, JP240V-800WC1UA	12.0	119.6	114.2	C-8	22000	3200	250	Clear
1000	1000489	FCM, JP120V-1000WC1	12.0	119.6	114.2	C-8	27000	3200	300	Clear
1000	1000533	FHM, JP120V-1000WCF1	12.0	119.6	114.2	C-8	26000	3200	300	Frosted
1000	1000298	EJD, JP185V-1000WS*	12.0	119.6	114.2	C-8	33600	3350	100	Clear

* Special Order Item



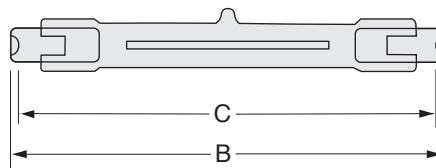
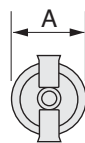
R7s-12

JP

- Only for Use in Approved Enclosed Halogen Fixtures
- Recessed Single Contact Base - R7s
- Operate Horizontal $\pm 4^\circ$
- T3 & T4



Watts	Ushio Ordering Code	Ushio Lamp Description	Dimensions mm			Filament Type	Approx Lumens lm	Color Temp K	Avg Life h	Bulb Finish
			Dia (A)	MOL (B)	C-to-C (C)					
R7s-12 Base – MOL $\approx 5''$ (127.1mm)										
800	1001081	JP125V-800W	10.0	127.1	121.7	C-8	26000	3400	25	Clear
MOL $\approx 5 \frac{5}{16}''$ (135.2mm)										
500	1000652	GDA, JP120V-500WC2	12.0	135.2	129.8	C-8	11000	3100	100	Clear
500	1000653	GDA/220V, JP220V-500WC2/JA	12.0	135.2	129.8	C-8	13000	3200	75	Clear
500	1000654	GDA/240V, JP245V-500WC	12.0	135.2	129.8	C-8	11000	3150	100	Clear
MOL $\approx 6 \frac{19}{32}''$ (167.4mm)										
1000	1000523	FFT, JP120V-1000WC2	12.0	167.4	163.3	C-8	27000	3200	300	Clear
1500	1000529	FGT, JP120V-1500WCF	13.0	167.4	162.0	C-8	40200	3200	400	Frosted
1500	1000499	FDB, JP120V-1500WC	13.0	167.4	162.0	C-8	41200	3200	400	Clear
MOL $\approx 6 \frac{21}{32}''$ (169.3mm)										
2000	1000524	FFW, JP120V-2000WC	14.0	169.3	163.9	C-8	57000	3200	125	Clear
MOL $\approx 7 \frac{9}{16}''$ (191.1mm)										
1000	1000310	EKM, JP225V-1000WCL	12.0	191.1	140.0	C-8	25000	3200	200	Clear
1250	1001086	JP225V-1250WC1	12.0	191.1	185.7	C-8	33500	3200	200	Clear



R7s-12

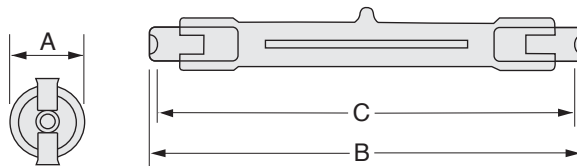
JP

- Only for Use in Approved Enclosed Halogen Fixtures
- Recessed Single Contact Base - R7s-12
- Operate Horizontal $\pm 4^\circ$
- T2.5, T3 & T4



Watts	Ushio Ordering Code	Ushio Lamp Description	Dimensions mm			Filament Type	Approx Lumens lm	Color Temp K	Avg Life h	Bulb Finish
			Dia (A)	MOL (B)	C-to-C (C)					
R7s-12 Base – MOL $\approx 4 \frac{11}{16}$" (119.6mm)										
500	1000502	FDN, JP120V-500WCF6	12.0	119.6	114.2	C-8	12500	3200	400	Frosted
500	1000500	FDF, JP120V-500WC6	12.0	119.6	114.2	C-8	13250	3200	400	Clear
500	1001084	JP220V-500WC*	12.0	119.6	114.2	C-8	12500	3200	200	Clear
550	1001089	JP225V-550WC*	12.0	119.6	115.6	C-8	14000	3200	250	Clear
750	1000327	EMD, JP120V-750WCF	12.0	119.6	114.2	C-8	19500	3200	400	Frosted
750	1000299	EJG, JP120V-750WC	12.0	119.6	114.2	C-8	20600	3200	400	Clear
800	1000329	EMF, JP240V-800WCF	12.0	119.6	114.2	C-8	21400	3200	250	Frosted
800	1000328	EME, JP240V-800WC1UA	12.0	119.6	114.2	C-8	22000	3200	250	Clear
1000	1000489	FCM, JP120V-1000WC1	12.0	119.6	114.2	C-8	27000	3200	300	Clear
1000	1000533	FHM, JP120V-1000WCF1	12.0	119.6	114.2	C-8	26000	3200	300	Frosted
1000	1000298	EJD, JP185V-1000WS*	12.0	119.6	114.2	C-8	33600	3350	100	Clear

* Special Order Item



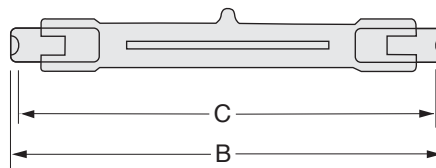
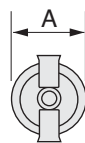
R7s-12

JP

- Only for Use in Approved Enclosed Halogen Fixtures
- Recessed Single Contact Base - R7s
- Operate Horizontal $\pm 4^\circ$
- T3 & T4



Watts	Ushio Ordering Code	Ushio Lamp Description	Dimensions mm			Filament Type	Approx Lumens lm	Color Temp K	Avg Life h	Bulb Finish
			Dia (A)	MOL (B)	C-to-C (C)					
R7s-12 Base – MOL $\approx 5''$ (127.1mm)										
800	1001081	JP125V-800W	10.0	127.1	121.7	C-8	26000	3400	25	Clear
MOL $\approx 5 \frac{5}{16}''$ (135.2mm)										
500	1000652	GDA, JP120V-500WC2	12.0	135.2	129.8	C-8	11000	3100	100	Clear
500	1000653	GDA/220V, JP220V-500WC2/JA	12.0	135.2	129.8	C-8	13000	3200	75	Clear
500	1000654	GDA/240V, JP245V-500WC	12.0	135.2	129.8	C-8	11000	3150	100	Clear
MOL $\approx 6 \frac{19}{32}''$ (167.4mm)										
1000	1000523	FFT, JP120V-1000WC2	12.0	167.4	163.3	C-8	27000	3200	300	Clear
1500	1000529	FGT, JP120V-1500WCF	13.0	167.4	162.0	C-8	40200	3200	400	Frosted
1500	1000499	FDB, JP120V-1500WC	13.0	167.4	162.0	C-8	41200	3200	400	Clear
MOL $\approx 6 \frac{21}{32}''$ (169.3mm)										
2000	1000524	FFW, JP120V-2000WC	14.0	169.3	163.9	C-8	57000	3200	125	Clear
MOL $\approx 7 \frac{9}{16}''$ (191.1mm)										
1000	1000310	EKM, JP225V-1000WCL	12.0	191.1	140.0	C-8	25000	3200	200	Clear
1250	1001086	JP225V-1250WC1	12.0	191.1	185.7	C-8	33500	3200	200	Clear



R7s-12