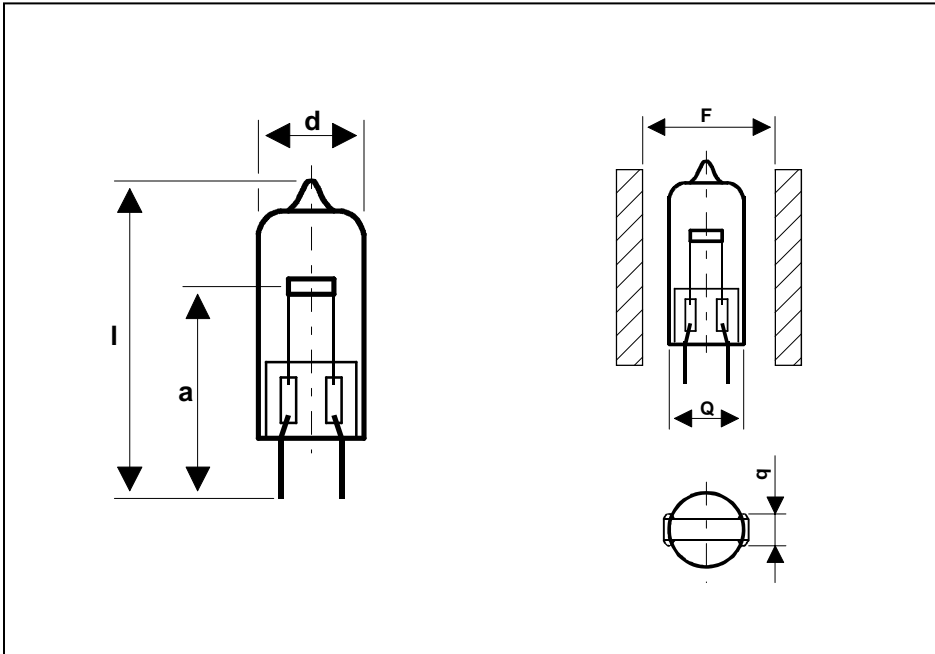


Product Information Bulletin

EVD 64663 HLX

Single-end Tungsten Halogen Low Voltage Projector Lamp

REPLACEMENT FOR NAED 54048



EVD 64663 HLX Single-end Tungsten Halogen Low Voltage Projector Lamp

- Single-ended (SE) quartz halogen glass
- New small 15 mm quartz envelope
 - less heat for the lens system
- HLX XENOPHOT® technology
 - 10% higher lumen output
- Compact C-Bar 6 filament design

Application Information

Applications

- High performance lamp for Overhead and Data projectors
- Photofinishing
- Medical/Scientific instrumentation

WARNING

The lamp emits ultraviolet (uv) radiation and operates at high internal pressure. **Before use** read the complete warning accompanying the product.

Disposal

When disposing of spent lamps, always consult federal, state, local and provincial hazardous waste disposal rules and regulations to ensure proper disposal.

Technical Data

Lamp / order reference (Product ordering number)	EVD 64663 HLX	
ANSI	EVD	
LIF	A1/239	
Electrical data:		
Rated lamp wattage (power)	400	W
Rated lamp voltage	36	V
Photometric data:		
Luminous flux	16,000	lm
Color temperature	3,550	K
Geometrical data:		
Length l max.	60	mm
LCL (a)	36.0 ± 0.25	mm
Diameter (d) max.	15	mm
Free space F	Min. 19	mm
Seal width Q	Max. 18	mm
Seal depth q	Max. 6	mm
Filament dimensions (w x h)	9.3 x 4.9	mm
Deviation of filament center from vertical base axis (longitudinal axis)	Max. 1	mm

Other data:		
Average service life	50	hrs
Base	G 6.35-18	
Coil	Cbar6	
Operating limits:		
max. bulb temperature	900	°C
min. bulb temperature	250	°C
max. seal temperature	400	°C
Cooling	Convection	
Required fuse	16A quick acting (secondary circuit)	
Operating position	s90	

Ordering Information

Lamp Description	NAED Code	Standard Case Quantity
EVD 64663 HLX	54259	40/case

For Orders and
General Information:
OSRAM SYLVANIA
National Customer
Support Center
18725 N. Union Street
Westfield, IN 46074

Display/Optic
Phone: 1-888-677-2627
Phone: 1-888-OSRAMCS
Fax: 1-800-762-7192

Special Markets
Phone: 1-800-762-7191
Fax: 1-800-762-7192

Industrial and Commercial
Phone: 1-800-255-5042
Fax: 1-800-255-5043

In Canada
OSRAM SYLVANIA LTD.
Headquarters
2001 Drew Road
Mississauga, ON L5S 1S4

Industrial and Commercial
Phone: 1-800-263-2852
Fax: 1-800-667-6772

Special Markets
Phone: 1-800-265-2852
Fax: 1-800-667-6772

Visit our website: www.sylvania.com