

Product Information Bulletin

ELC Lamp Series

Low Voltage Tungsten Halogen Lamps with Reflector



- Full series of ELC lamps
- Dichroic coated glass reflector (MR16)
- Rugged design
- The ELC 64653 HLX, ELC-3/X, ELC-7/X and ELC-10 64659 HLX use OSRAM XENOPHOT[®] technology (Xenon fill gas)
- Long life with ELC-7/X lamp (700 hrs) and ELC-10 (1000 hrs)
- ELC-HL is highest lumen ELC lamp with 50 hrs of service life and 950 screen lumens.

Specification Information

| Ordering Abbreviation | | ELC | ELC 64653 HLX | ELC-3/X | ELC-7/X | ELC-HL | ELC-10 64659 HLX |
|--------------------------|-----|--------|---------------|---------|---------|--------|------------------|
| Electrical Data: | | | | | | | |
| Watts | W | 250 | 250 | 250 | 250 | 250 | 250 |
| Voltage | V | 24 | 24 | 24 | 24 | 24 | 24 |
| Photometric Data: | | | | | | | |
| Screen Lumens | lm | 800 | 900 | 550 | 475 | 950 | 400 |
| Geometrical Data: | | | | | | | |
| Length l Max. | mm | 44.83 | 44.5 | 44.83 | 44.83 | 44.83 | 44.50 |
| Working Distance a | mm | 31.75 | 35.0 | 31.75 | 31.75 | 31.75 | 35.0 |
| Diameter d | mm | 51 | 51 | 51 | 51 | 51 | 51 |
| Other Data: | | | | | | | |
| Average Service Life | hrs | 50 | 50 | 300 | 700 | 50 | 1000 |
| Color Temperature | K | 3400 | 3400 | 3250 | 3200 | 3400 | 3200 |
| Base | | GX 5.3 | GX 5.3 | GX 5.3 | GX 5.3 | GX 5.3 | GX 5.3 |
| Bulb | | T3.5 | T3.5 | T3.5 | T3.5 | T3.5 | T3.5 |
| Operating Position | | Any | p90/15 | Any | Any | Any | p90/15 |

Application Information

Applications

- Overhead Projection
- Fiber-Optic
- Entertainment
- 1 hr photo finishing

WARNING

This lamp emits ultraviolet (UV) radiation and operates at high internal pressure. **Before use**, read the complete warning accompanying the product.

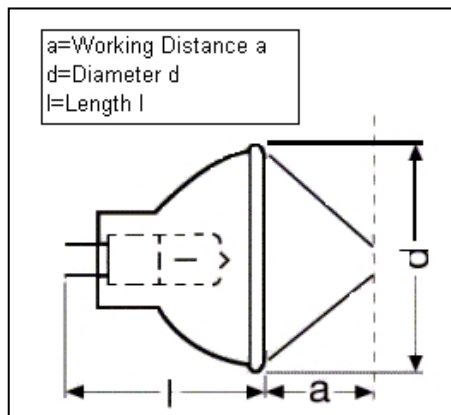
Disposal

When disposing of spent lamps, always consult federal, state, local and provincial hazardous waste disposal rules and regulations to ensure proper disposal.

Ordering Information

| Lamp Description | NAED Code | Standard Case Quantity |
|------------------|-----------|------------------------|
| ELC | 54840 | 24/case |
| ELC / 64653 HLX | 54212 | 20/case |
| ELC-3 / X | 54841 | 24/case |
| ELC-7 / X | 54814 | 24/case |
| ELC-7 / X Bulk | 54811 | 100/case |
| ELC-HL | 54804 | 24/case |
| ELC-10 64659 HLX | 54366 | 20/case |

ELC Line Drawing



For Orders and
General Information:
OSRAM SYLVANIA
National Customer Service
And Sales Center
18725 N. Union Street
Westfield, IN 46074

Display/Optic
Phone: 1-888-677-2627
Phone: 1-888-OSRAMCS
Fax: 1-800-762-7192

Special Markets
Phone: 1-800-762-7191
Fax: 1-800-762-7192

Industrial and Commercial
Phone: 1-800-255-5042
Fax: 1-800-255-5043

In Canada
OSRAM SYLVANIA LTD.
Headquarters
2001 Drew Road
Mississauga, ON L5S 1S4

Special Markets
Phone: 1-800-265-2852
Fax: 1-800-667-6772

Industrial and Commercial
Phone: 1-800-263-2852
Fax: 1-800-667-6772

Visit our website: www.sylvania.com

In North America OSRAM brand lighting
products are sold by OSRAM SYLVANIA

SEE THE WORLD IN A NEW LIGHT

