

# Hinge system for swing doors





**Pivot**  
S Y S T E M



## The starring role of doors

Doors are playing an increasingly important role in the furnishing of the home environment.

They are no longer a secondary element - they have a crucial and leading part.

## TABLE OF CONTENTS

A new role	Pag. 4
A complete system	Pag. 6
A practical, elegant and functional system	Pag. 8
Hinges with integrated adjustment systems	Pag. 9
The telescopic jamb	Pag. 10
A reversible system	Pag. 12
Always an aesthetic solution	Pag. 13
Magnetic latch	Pag. 14
Size description	Pag. 16
Codes guide	Pag. 17
Order codes	Pag. 18



**Pivot**  
S Y S T E M



Pivot system + Telescopic jamb  
Push · Opening up to 90°  
( Wooden door )



Pivot system + Telescopic jamb  
Pull · Opening up to 180°  
( Wooden door )



Pivot System + Universal Frame  
+ Telescopic jamb  
Pull · Opening up to 180°



Pivot System + Universal Frame  
+ Telescopic jamb  
Push · Opening up to 90°

## A new role

In the modern home, doors have discarded their more functional appearance and have become a fundamental part of the furniture

**Doors are now a fundamental furnishing element.** Be they swing or sliding, doors fit into the environment of the home and divide space, but they are part of the furniture.

No longer are they a separate element of the house, something secondary or of little importance; instead, they take on a **primary meaning** and contribute

to the aesthetics of the whole environment.

Terno Scorrevoli, which has always paid close attention to the functional and aesthetic trends in the market, today offers a **new type of door** that further increases its catalogue's already very broad range of wall-mounted sliding doors.



Pivot System + GRiD System  
Pull - Opening up to 180°

## A complete system

**A swing door that integrates perfectly with the best design solutions**

The **Pivot system** by Terno Scorrevoli is a **hinged system for swing doors**, which integrates perfectly:

- with **the aluminium frame of the Universal series**, thanks to the innovative adjustable telescopic jamb;
- with **GRiD System equipped walls**.

The Pivot system further expands the Terno Scorrevoli **range for the innovative design of home furnishings**.

**Aluminium** with trendy finishes, **glass** for natural brightness in the rooms, customisable **wood**: all these elements combine to achieve a **stunning aesthetic result** in the rooms of the house, without forgetting the required **function** and **ease** of installation.

## A practical, elegant and functional system

The Pivot system has been designed to meet all installation needs

The Pivot system features: **a pair of hinges with an off-centre axis**, shells for the handles and **Zamak attachments**.

The Pivot system can be installed on **the aluminium frame of the Universal series** (with glass thickness between 6 and 8 mm), or on **wooden doors**, thus integrating with the telescopic jamb through a patented attachment system.

The Pivot components can also be installed on **walls equipped with the GRiD System**, using the poles included in this modular system.

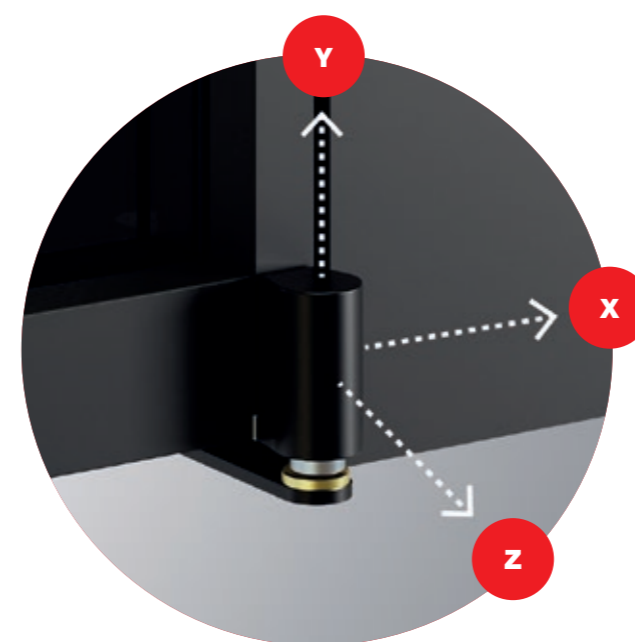
The system's profiles and extruded elements make it possible **to adapt the size of the entire frame to the available space**: trimming the extruded elements to **size with a 90° cut is all that is required**.



Pivot system + Universal frame + Telescopic jamb



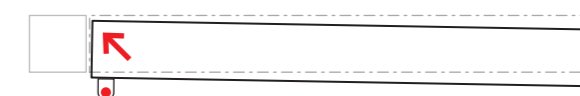
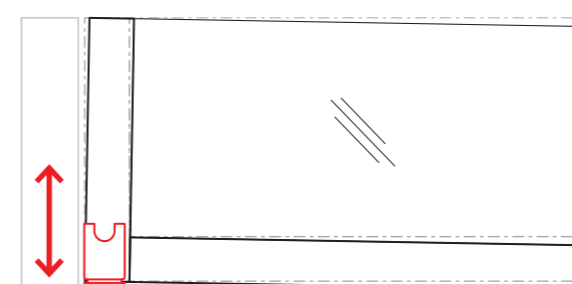
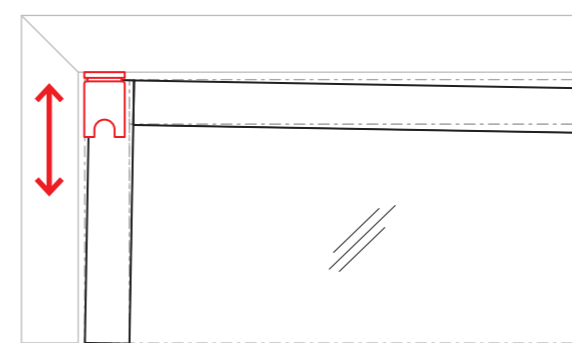
Pivot System + GRiD System



## Hinges with integrated adjustment systems

The Pivot system is **easy to install** and **very flexible**, thanks to its hinges **that can be adjusted on 3 axes**:

- **Height** adjustment
- **Frontal offset** adjustment, to align the door frontally with the frame
- Adjustment of the **lateral inclination** of the door, to uniform the joint between the door and the jamb, along the 3 sides of the door (excluding the lower one)



By adjusting the lower and upper hinges, the **door's height is calibrated**.

With the same adjustment, the **door is also aligned frontally** with the frame and its **lateral inclination is calibrated**.

With the Pivot system, **no further machining is required on the aluminium frame** to apply the hinge. Furthermore, **the system's hinges** adapt to the crosspiece of the Universal Frame, thanks to **their small height (only 38 mm)**.

# The telescopic jamb

## Patented screwless telescopic attachment system

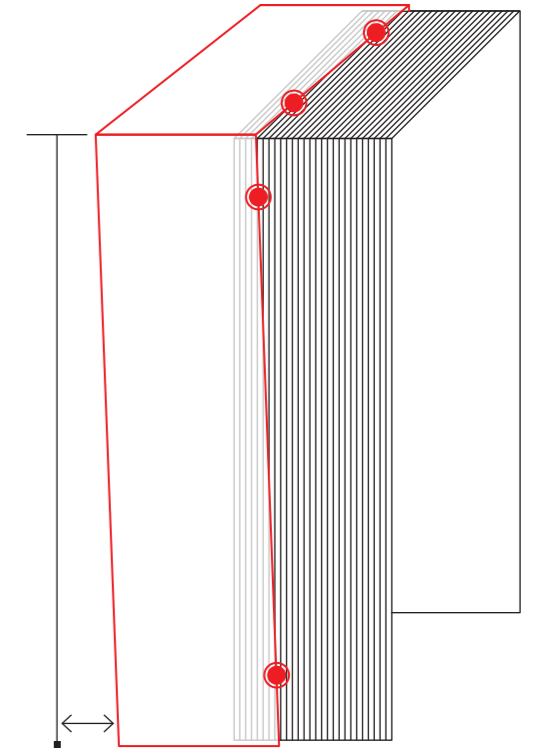
The system is **integrated through the innovative jamb with patented screwless telescopic function**, which allows it to be installed **on all existing walls, with thicknesses ranging between 100 and 150 mm.**



Thanks to the **snaps** inserted for adjustment, which allow **them to be positioned independently**, the jamb can be easily adapted to any existing room, thanks to its flexibility: **the "out-of-plumb" problem** present in many pre-existing walls **is thus solved.**



Adjustment **snaps** can be inserted and moved as required, according to installation needs. Once housed in the desired position, the snaps can be stopped and fixed, using the special lever on the snap itself.

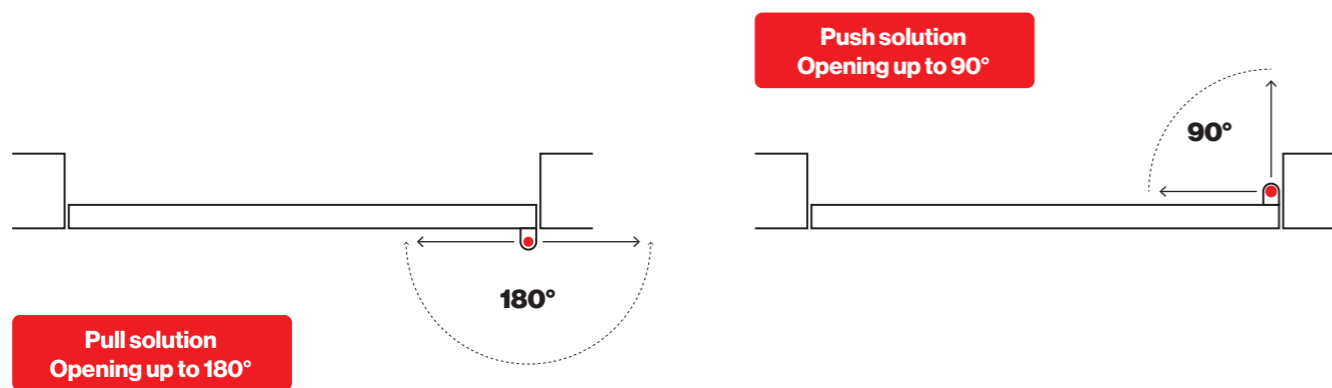


**Whatever the furnishing needs of a home, the Pivot system responds adequately** because it can integrate with the Terno Scorrevoli telescopic jamb, but also with the traditional jambs present in the market.

## Features of the Pivot system

The same Pivot system kit fits several applications:

- **Pull solution** — allows opening up to **180°**.
- **Push solution** — allows opening up to **90°**.
- Open on the **right**.
- Open on the **left**.
- Maximum door sizes: **1000 x 3000 mm**
- Maximum weight capacity: **80kg** (per door)
- Installation on:
  - Universal frame + Jamb
  - Wooden door + Jamb
  - Walls equipped with the GRiD system



## A reversible system

In line with the Terno Scorrevoli philosophy, which has always offered performing products with a high aesthetic impact, but characterised by ease of assembly and installation, **the Pivot system has been designed to be completely reversible**: by removing the covers, it is possible to disassemble each single piece of the system.



## Always an aesthetic solution

**Attention to aesthetic detail** must always go hand in hand with **flexibility and the need for practical solutions**. For this reason, Terno Scorrevoli has developed specially designed covers for the Pivot System, installed on the **Universal Frame** or with the **GRiD system**, to allow you to choose among **three different types of handle**:



**Magnetic Stricker Handle Cover**



**Patent Key Lock Cover**



**Cover with European profile cylinder hole**

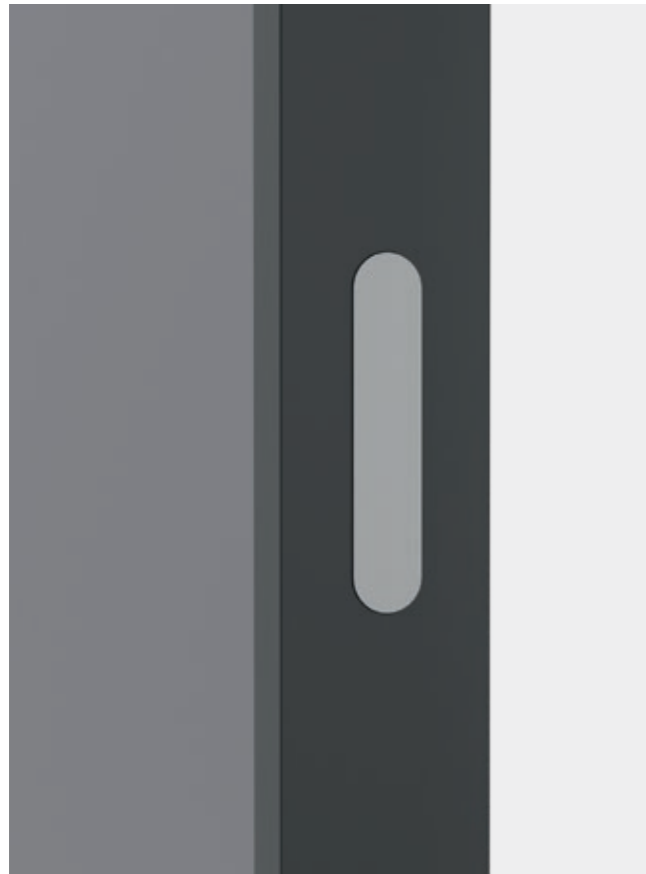




# Magnetic Latch

The Pivot Door features a solution with a very **versatile magnetic latch**, perfectly in line with the rest of the system.

This solution consists of two elements: a **magnetic plate** inserted in the profile of the swing door and a **support** to be placed in the frame's profile.



The **magnetic latch support** is **positioned** in the frame profile, **in the centre of the groove**.

The support can therefore be easily **adjusted to modify the tightness of the magnetic plate**, and consequently, of the entire door.

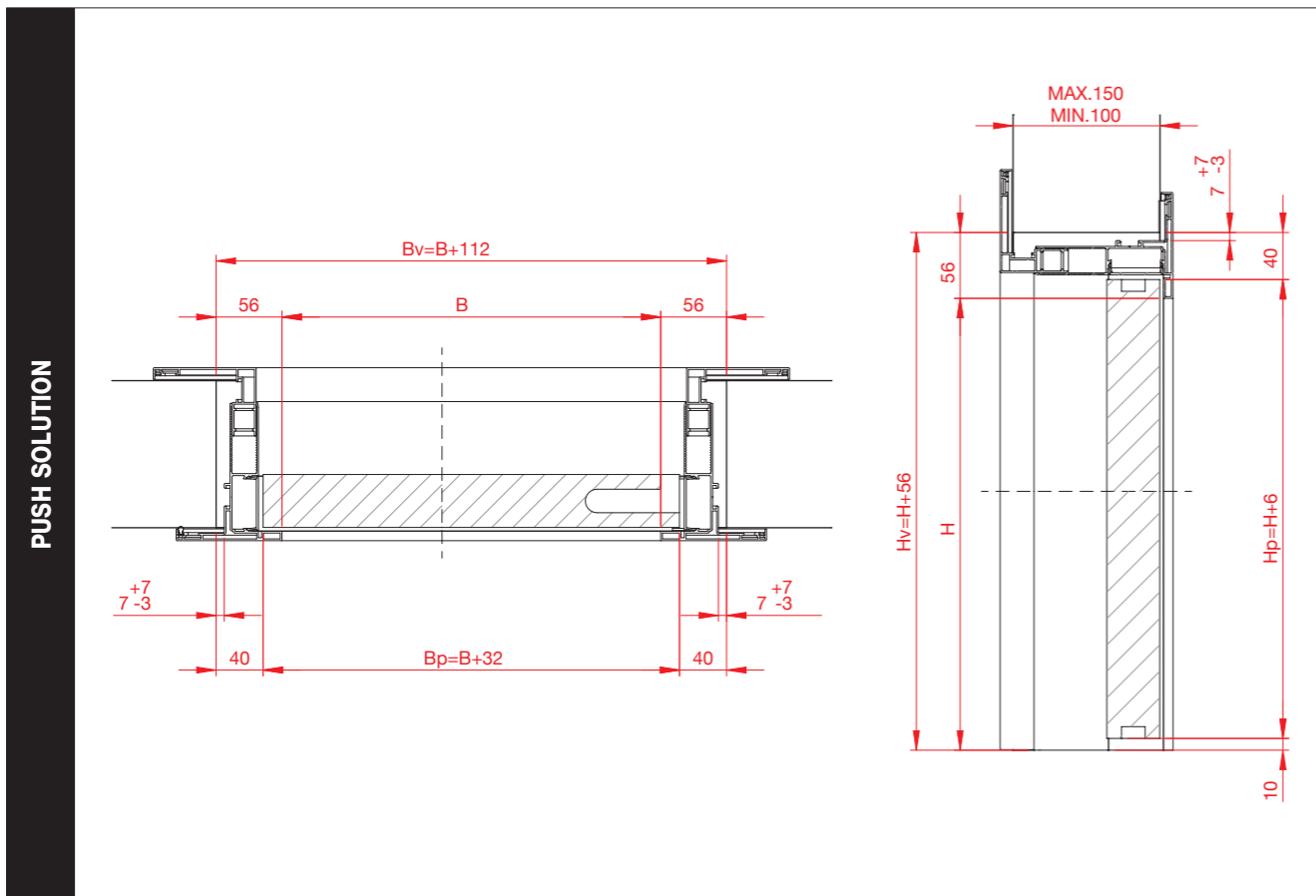
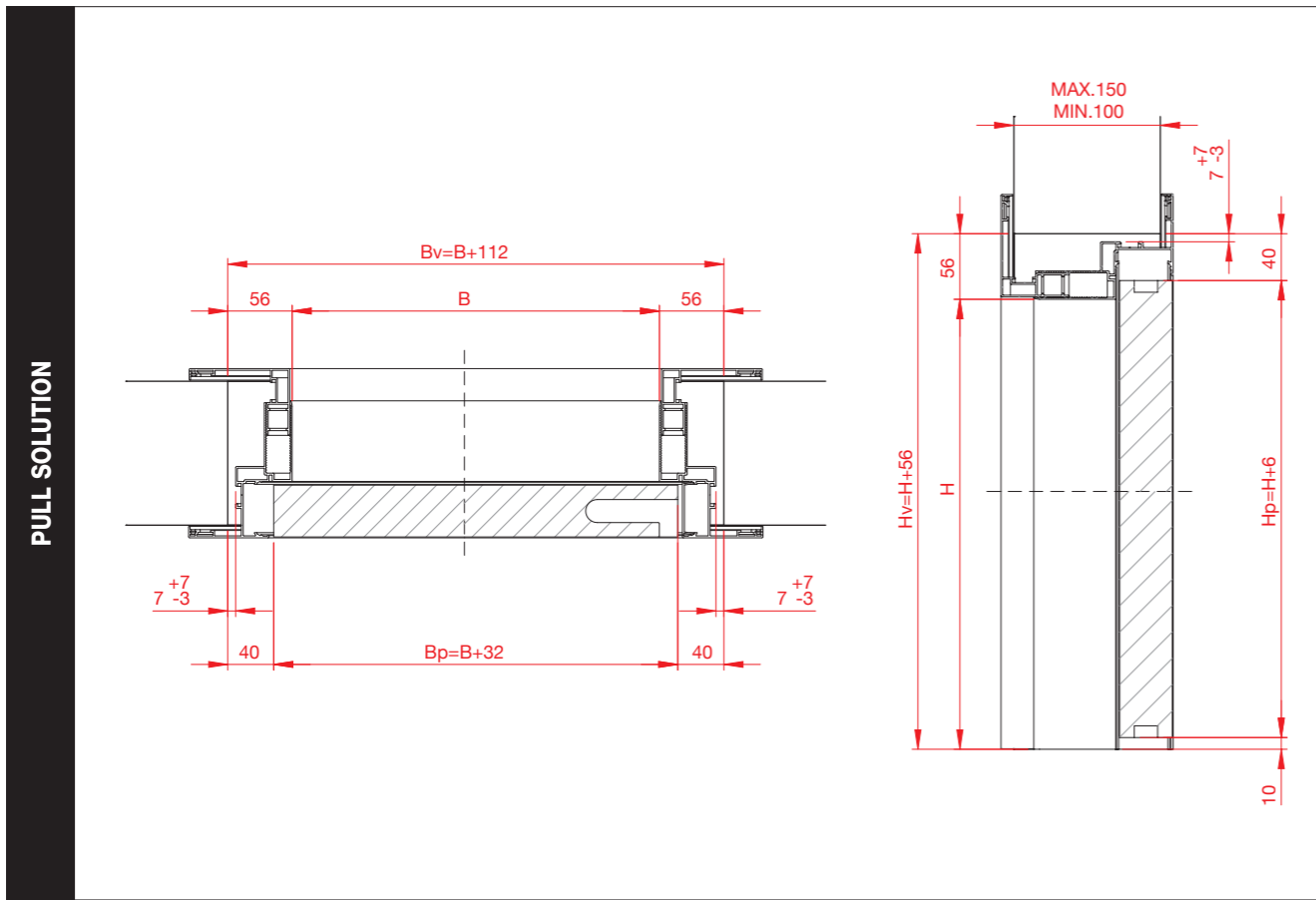


All the elements in this solution are reversible.

105 cm from the ground



# Size Description



# Codes guide

**KIT PIVOT**

<b>K</b>	Complete kit box
<b>0491</b>	For Aluminium Frame
<b>0492</b>	For Wood
<b>01</b>	With magnetic latch - Without lock
<b>02</b>	Compatible with AGB hardware
<b>04</b>	Hinges only
<b>00</b>	Without dimensions
<b>01</b>	700 x 2100 mm
<b>02</b>	700 x 2400 mm
<b>04</b>	800 x 2100 mm
<b>05</b>	800 x 2400 mm
<b>07</b>	900 x 2100 mm
<b>08</b>	900 x 2400 mm
<b>09</b>	900 x 3000 mm
<b>00</b>	Raw
<b>02</b>	Brushed Anodized Silver
<b>14</b>	Black
<b>15</b>	Brushed Anodized Black
<b>28</b>	Metal Gray, Painted
<b>30</b>	Painted graphite
<b>39</b>	White RAL 9002, Painted

**JAMB KIT**

<b>F</b>	Complete kit in blister pack
<b>0511</b>	Pull version
<b>0512</b>	Push version
<b>01</b>	Extruded elements with joints, gaskets and accessories
<b>01</b>	700 x 2100 mm
<b>02</b>	700 x 2400 mm
<b>04</b>	800 x 2100 mm
<b>05</b>	800 x 2400 mm
<b>07</b>	900 x 2100 mm
<b>08</b>	900 x 2400 mm
<b>09</b>	900 x 3000 mm
<b>10</b>	H = 3000 mm - Without Crosspiece
<b>00</b>	Raw
<b>02</b>	Brushed Anodized Silver
<b>15</b>	Brushed Anodized Black
<b>28</b>	Metal Gray, Painted
<b>30</b>	Painted graphite
<b>39</b>	White RAL 9002, Painted

**KIT COVER**

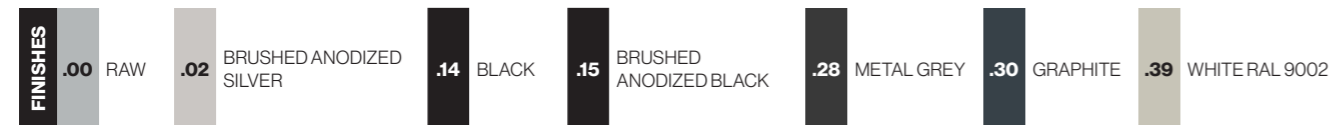
<b>C</b>	Pair of shells
<b>0490</b>	Pivot Door Accessories (Shells)
<b>01</b>	Pair of AGB Polaris lock shells
<b>01</b>	Magnetic Stricker Handle Cover
<b>02</b>	Patent Key Lock Cover
<b>03</b>	Cover with European profile cylinder hole
<b>00</b>	Raw
<b>02</b>	Brushed Anodized Silver
<b>15</b>	Brushed Anodized Black
<b>28</b>	Metal Gray, Painted
<b>30</b>	Painted graphite
<b>39</b>	White RAL 9002, Painted

## Order Codes

KIT PIVOT	FOR ALUMINIUM FRAME WITH MAGNETIC LATCH SETTING - WITHOUT LOCK		
	Kit Code	Finishes	Sizes
	<b>K.0491.01.01</b>	.00   .02   .15   .28   .30   .39	700 x 2100 mm
	<b>K.0491.01.02</b>	.00   .02   .15   .28   .30   .39	700 x 2400 mm
	<b>K.0491.01.04</b>	.00   .02   .15   .28   .30   .39	800 x 2100 mm
	<b>K.0491.01.05</b>	.00   .02   .15   .28   .30   .39	800 x 2400 mm
	<b>K.0491.01.07</b>	.00   .02   .15   .28   .30   .39	900 x 2100 mm
	<b>K.0491.01.08</b>	.00   .02   .15   .28   .30   .39	900 x 2400 mm
	<b>K.0491.01.09</b>	.00   .02   .15   .28   .30   .39	1000 x 3000 mm

KIT PIVOT	FOR ALUMINIUM FRAME COMPATIBLE WITH AGB HARDWARE		
	Kit Code	Finishes	Sizes
	<b>K.0491.02.01</b>	.00   .02   .15   .28   .30   .39	700 x 2100 mm
	<b>K.0491.02.02</b>	.00   .02   .15   .28   .30   .39	700 x 2400 mm
	<b>K.0491.02.04</b>	.00   .02   .15   .28   .30   .39	800 x 2100 mm
	<b>K.0491.02.05</b>	.00   .02   .15   .28   .30   .39	800 x 2400 mm
	<b>K.0491.02.07</b>	.00   .02   .15   .28   .30   .39	900 x 2100 mm
	<b>K.0491.02.08</b>	.00   .02   .15   .28   .30   .39	900 x 2400 mm
	<b>K.0491.02.09</b>	.00   .02   .15   .28   .30   .39	1000 x 3000 mm

KIT PIVOT	FOR WOODEN DOOR HINGES ONLY		
	Kit Code	Finishes	Sizes
	<b>K.0492.04.00</b>	.14	—

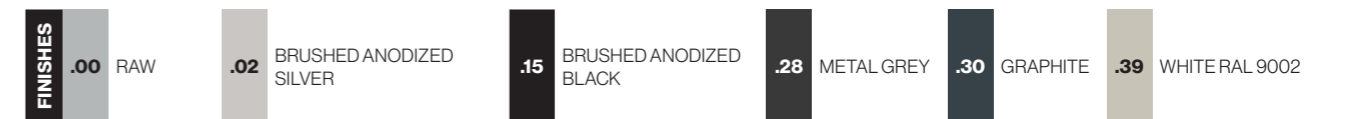


## Order Codes

JAMB KIT	PULL SOLUTION - OPENING UP TO 180°		
	Kit Code	Finishes	Sizes
	<b>F.0511.01.01</b>	.00   .02   .15   .28   .30   .39	700 x 2100 mm
	<b>F.0511.01.02</b>	.00   .02   .15   .28   .30   .39	700 x 2400 mm
	<b>F.0511.01.04</b>	.00   .02   .15   .28   .30   .39	800 x 2100 mm
	<b>F.0511.01.05</b>	.00   .02   .15   .28   .30   .39	800 x 2400 mm
	<b>F.0511.01.07</b>	.00   .02   .15   .28   .30   .39	900 x 2100 mm
	<b>F.0511.01.08</b>	.00   .02   .15   .28   .30   .39	900 x 2400 mm
	<b>F.0511.01.09</b>	.00   .02   .15   .28   .30   .39	1000 x 3000 mm
	<b>F.0511.01.10</b>	.00   .02   .15   .28   .30   .39	H = 3000 mm — Without Crosspiece

JAMB KIT	PUSH SOLUTION - OPENING UP TO 90°		
	Kit Code	Finishes	Sizes
	<b>F.0512.01.01</b>	.00   .02   .15   .28   .30   .39	700 x 2100 mm
	<b>F.0512.01.02</b>	.00   .02   .15   .28   .30   .39	700 x 2400 mm
	<b>F.0512.01.04</b>	.00   .02   .15   .28   .30   .39	800 x 2100 mm
	<b>F.0512.01.05</b>	.00   .02   .15   .28   .30   .39	800 x 2400 mm
	<b>F.0512.01.07</b>	.00   .02   .15   .28   .30   .39	900 x 2100 mm
	<b>F.0512.01.08</b>	.00   .02   .15   .28   .30   .39	900 x 2400 mm
	<b>F.0512.01.09</b>	.00   .02   .15   .28   .30   .39	1000 x 3000 mm
	<b>F.0512.01.10</b>	.00   .02   .15   .28   .30   .39	H = 3000 mm — Without Crosspiece

KIT COVER	PAIR OF AGB POLARIS LOCK SHELLS		
	Kit Code	Finishes	Sizes
	<b>C.0490.01.01</b>	.00   .02   .15   .28   .30   .39	Cover for Handle with Magnetic Latch
	<b>C.0490.01.02</b>	.00   .02   .15   .28   .30   .39	Cover for lock with Patented Key
	<b>C.0490.01.03</b>	.00   .02   .15   .28   .30   .39	Cover with European profile cylinder hole



[www.ternoscorrevoli.com/pivot](http://www.ternoscorrevoli.com/pivot)

[www.ternoscorrevoli.com](http://www.ternoscorrevoli.com)

Terno Scorrevoli S.p.A.

Via Ravenna, 4 - 20814 Varedo (MB) ITALY  
Phone +39 0362 543001

[terno@ternoscorrevoli.com](mailto:terno@ternoscorrevoli.com)