

DUETTO - Duetto handle kit, diameter 1 7/8" Active-Passive, 1 1/2" - 1 7/8" door thickness.



Description

Embedded handle kit, with a ring handle, 1 7/8" milling diameter. The expanding spindle allows Fastening the handles on doors from 1 1/2" to 1 7/8" thick. The maximum protrusion from the door surface is 3/16".

Use

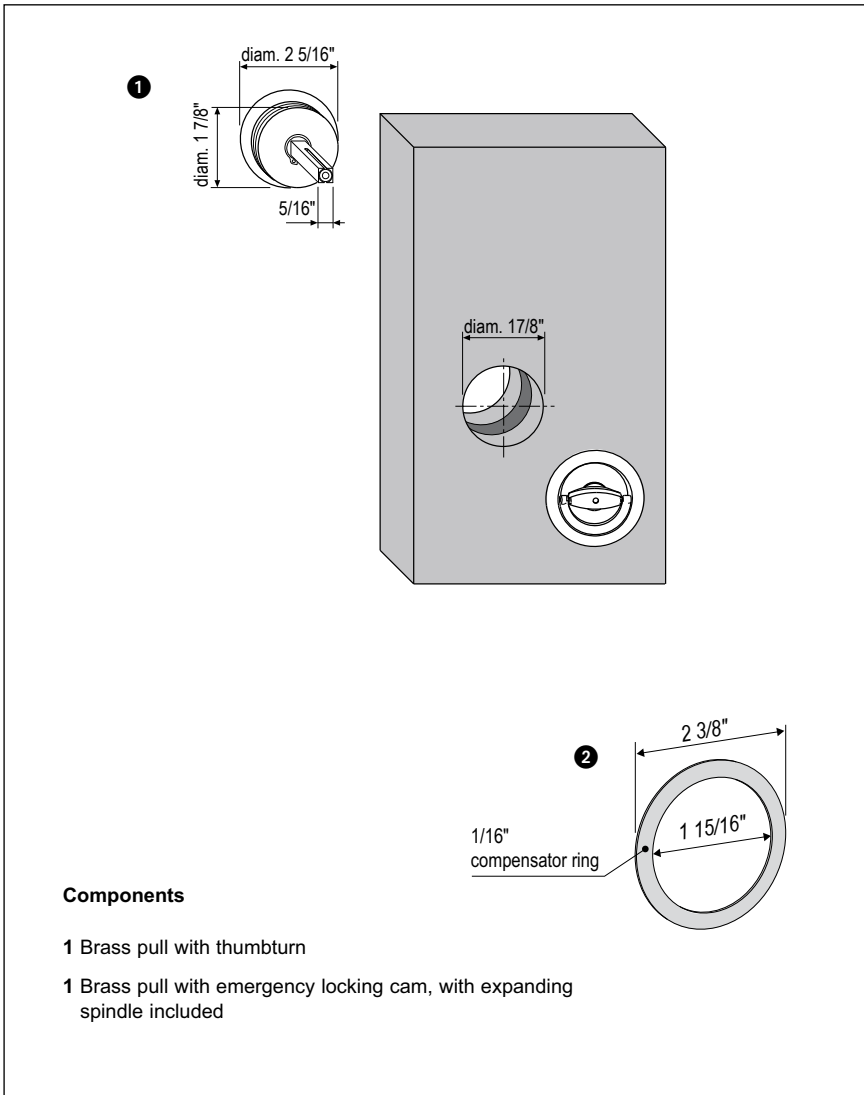
For folding doors installed on bathrooms or similar Uses. The kit is made of an active handle which operates the expanding spindle, and of a passive one (mounted on the other side) which works just for moving the door (idle rotation). The passive

handle is notched, in order to guarantee the emergency function by means of a screw driver or a coin.

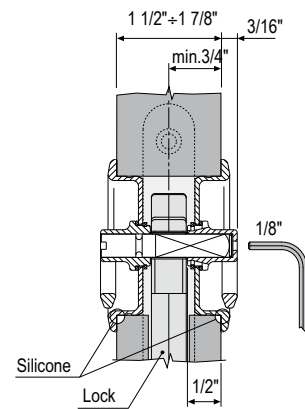
The diameter 1 7/8" Kit cannot be combined with locks with backsets less than 1 3/8".

Fastening

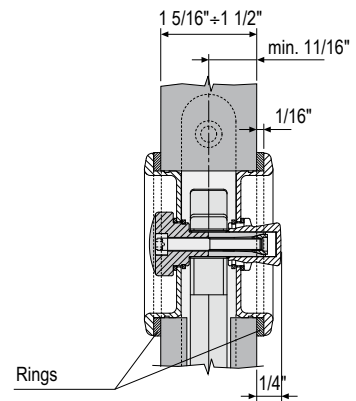
The handles are mounted on the door by means of the expanding spindle inside of the active handle. A 1/8" Allen key is required.



HANDLES ASSEMBLY



DIAM. 1 7/8" RING FOR 34-38 MM DOOR THICKNESS



Order Specifications

Ref.	Article
①	B02900.00.XX
②	B00700.30.XX

Note. Refer to the price list in force to check the availability of the finishes.