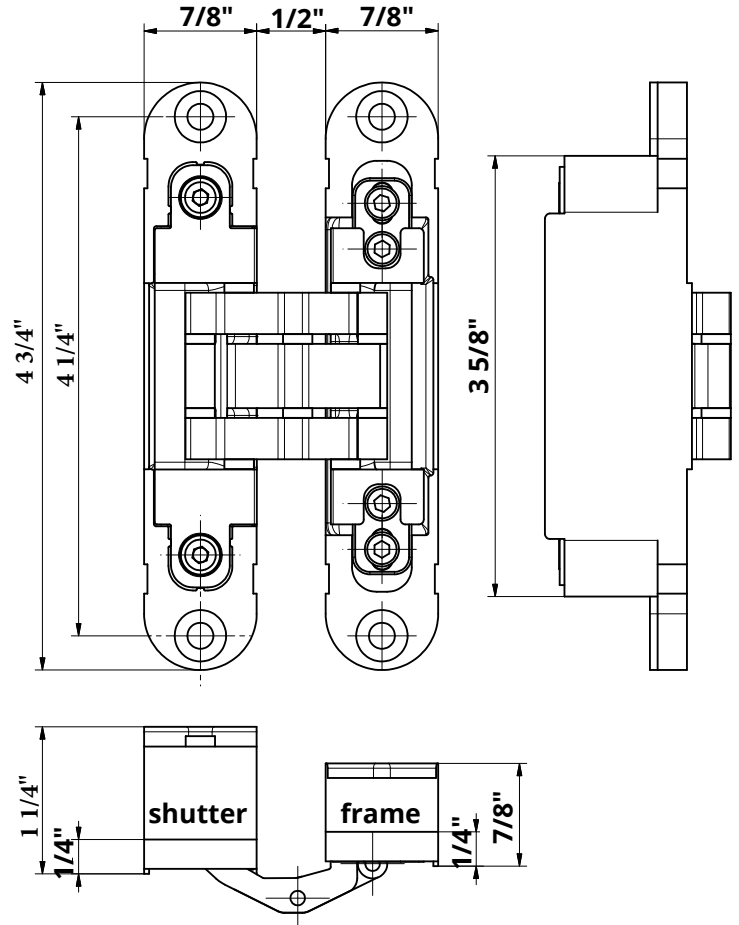


TECHNICAL SHEET INVISACTA IN230

Concealed hinge for flush doors



Technical features

- The hinge is suitable to be installed on doors and frames in wood and aluminium.
- The hinge can be fitted with door closing devices.
- CE certified - European Assessment Document 020001-01-0405
- Fireproof certified 30' - UNI-EN 1634-2
- Material of hinge: ZAMAK.
- Aluminium caps available to conceal the screws.
- The hinge can be fitted right and left.
- Movement on 7 junction fulcrums equipped with bearing in plastic HT with high resistance and long life.
- Equipped with 3-way adjustments that can be settled by means of just one 1/8" (3 mm) hex-spanner.
- Compatible with millings of IN235 and IN232 hinges.

Technical data

Capacity*	132 lbs
Hinge height	4 3/4"
width shutter side	7/8"
width frame side	7/8"
Depth shutter side	1 1/4"
Depth frame side	7/8"
Door opening angle	180°
Side adjustment	± 1/16"
Height adjustment	± 1/16"
Depth adjustment	± 1/16"

* Tested with 35 1/2" x 82 3/4" (90x210 cm) doors - For more information on the number of hinges to be used according to the weight and dimension of the door, please see the loading charts available on the website www.otlav.it.

Accessories

Aluminium jig	MU230120G002
Nylon jig	MUINV500G004
Door alignment device	AI230120
Caps GC230010	Same finishing than hinges
Fixing plate	NP120040H504

Finishing

The entered images are only on illustrative purpose. Features and colours may differ from what represented. Other finishing on demand.

IN2301209N02

Matt Black plastified



IN230120V702

Satinized silver plated



IN230120H004

Zinc plated



IN230120VN02

Satinized Nickel Plated



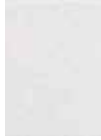
IN230120B002

Bronze plated



IN2301209P02

White matt RAL9016

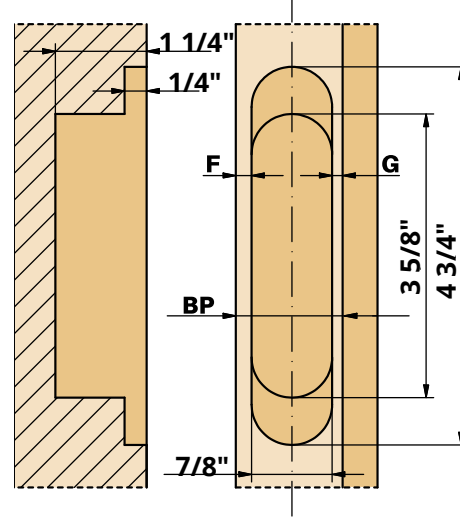


IN230120V002

Polished gold

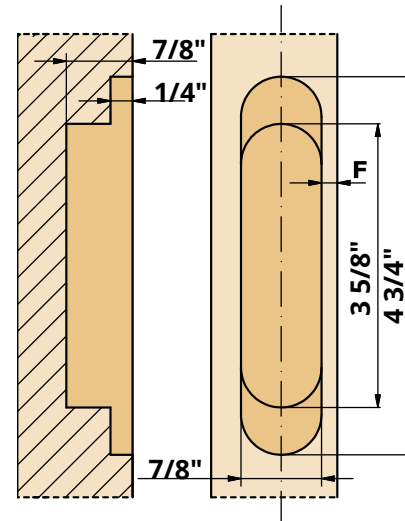


Milling on the shutter



BP	F	G
1/14"	1/4"	1/8"
1 1/4"	1/4"	1/4"
1 1/4"	1/4"	1/4"
1 3/8"	1/4"	1/4"
1 3/8"	1/4"	1/4"
1 3/8"	1/4"	3/8"
1 1/2"	1/4"	3/8"
1 1/2"	1/4"	1/2"
1 5/8"	1/4"	1/2"
1 5/8"	1/4"	1/2"

Milling on the frame



Caps

